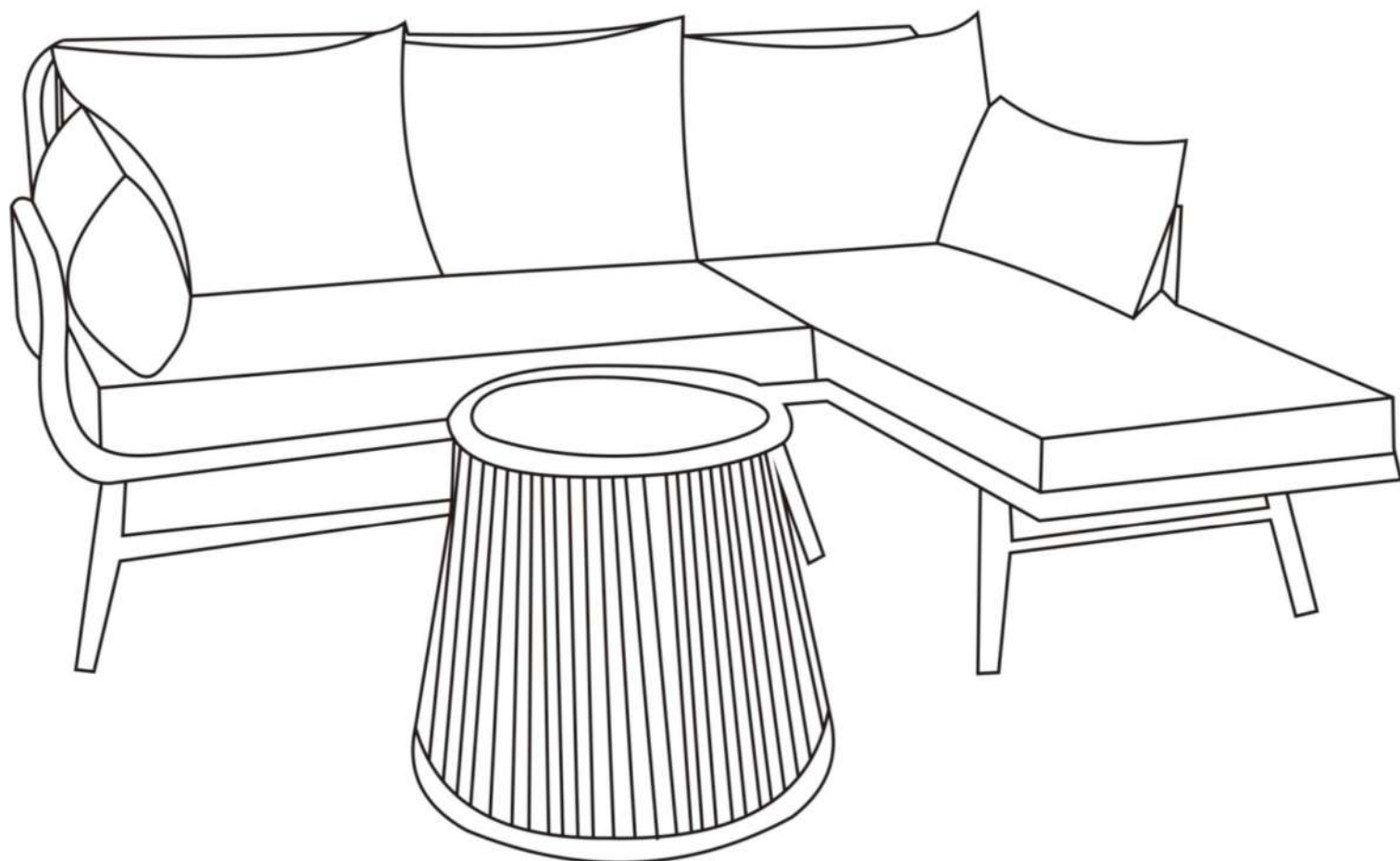


# L-Shaped Conversation Sofa Set

JFPL-038



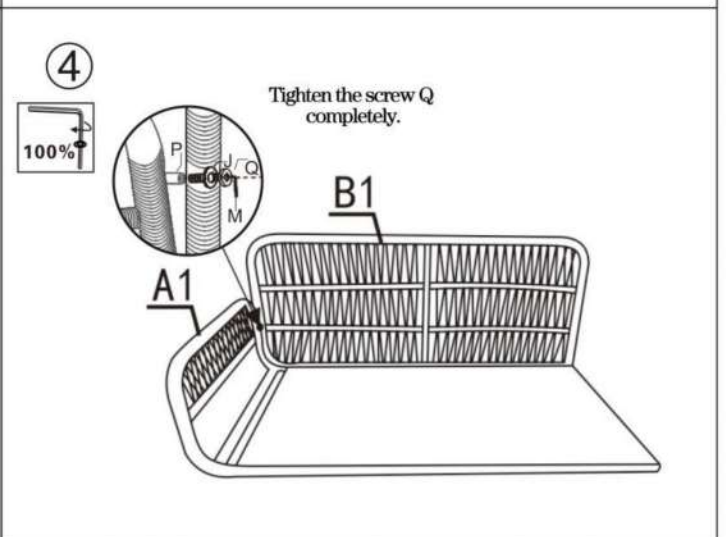
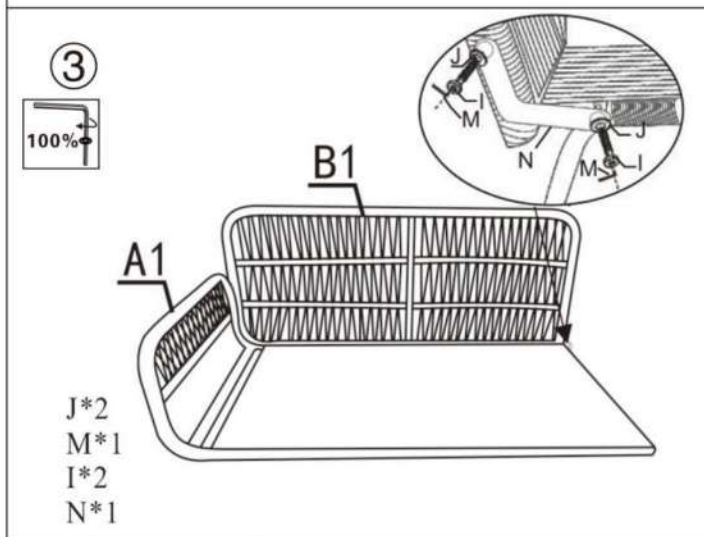
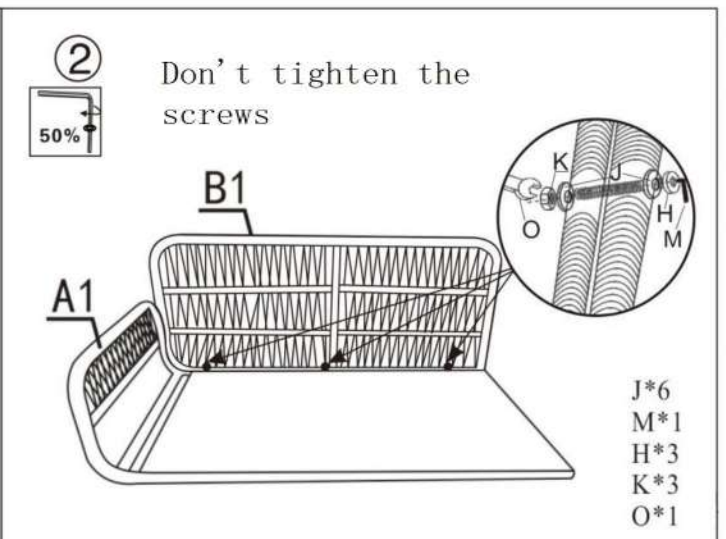
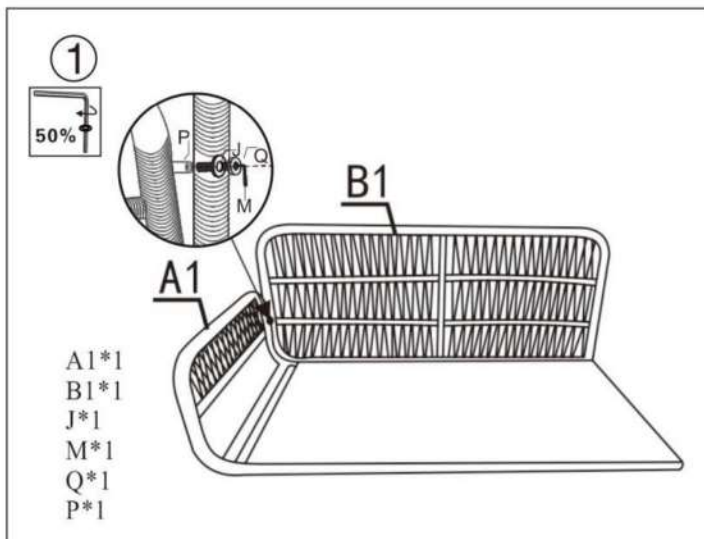
## ATTENTION

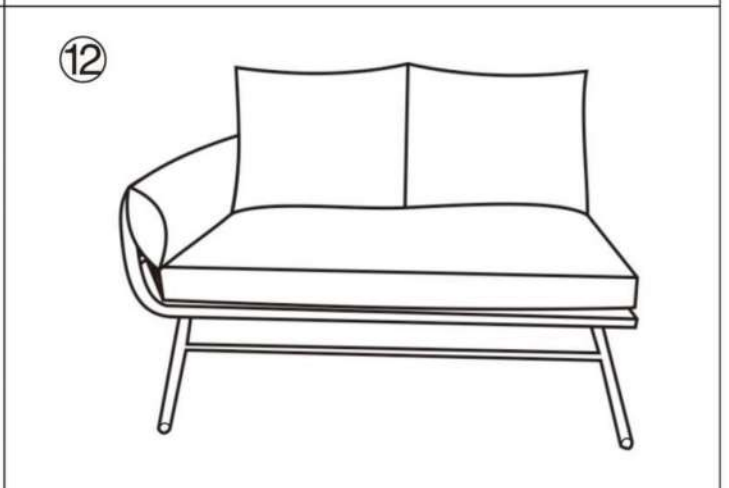
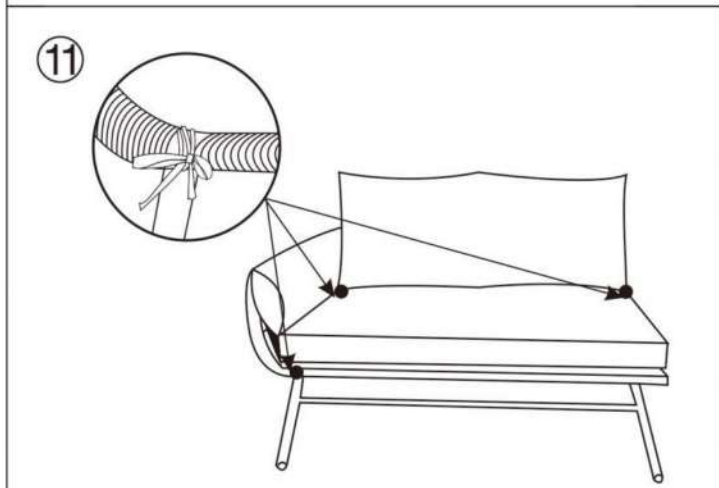
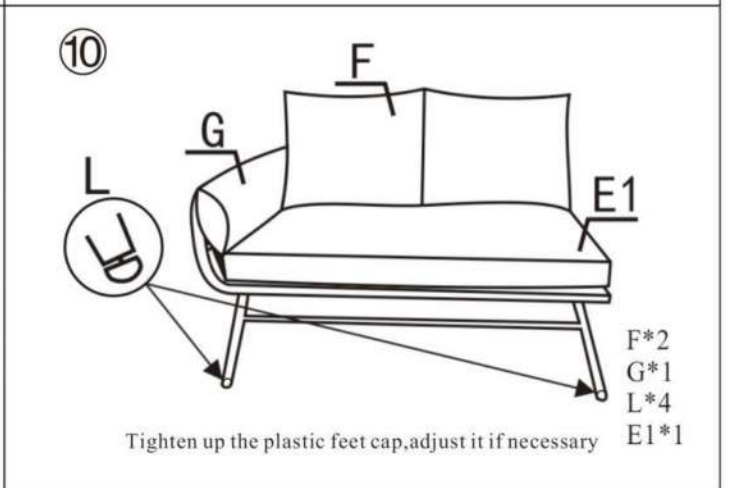
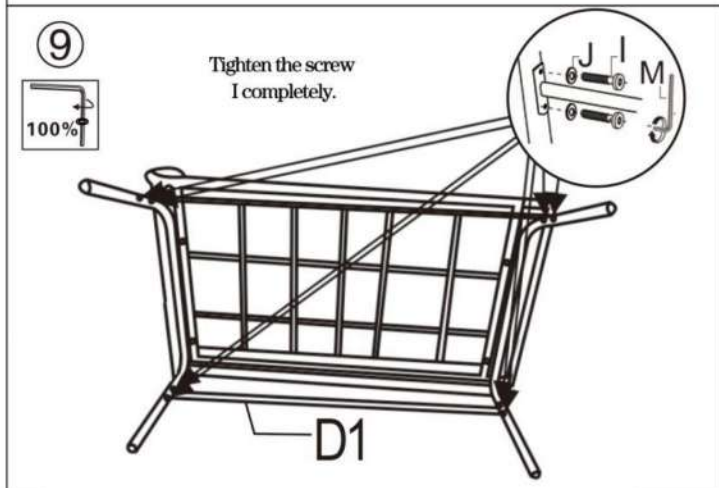
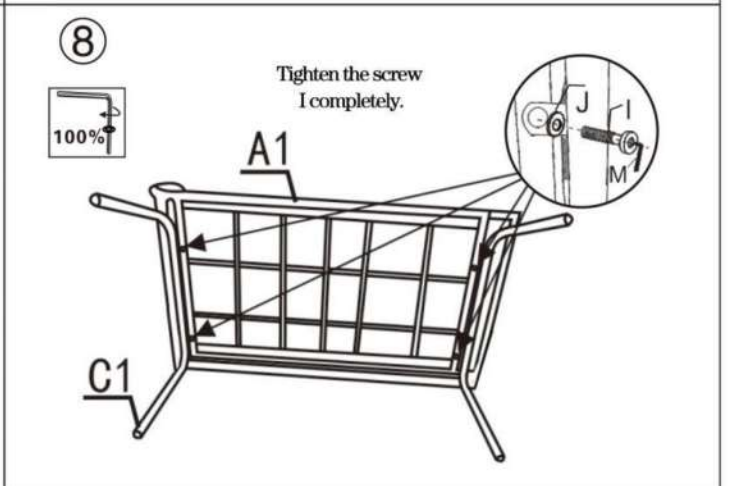
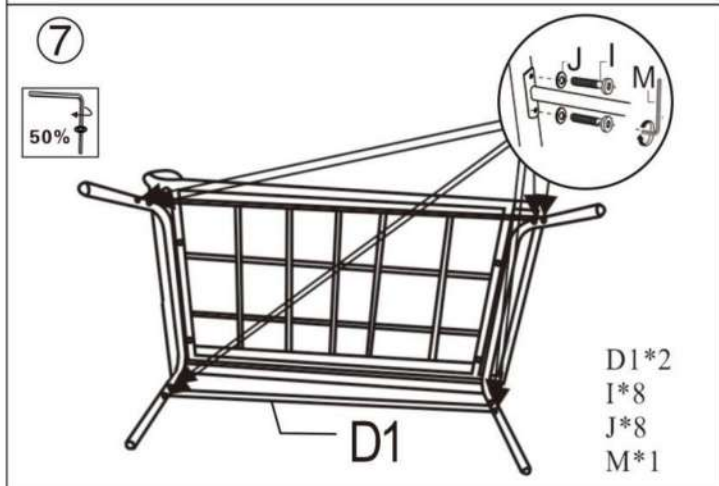
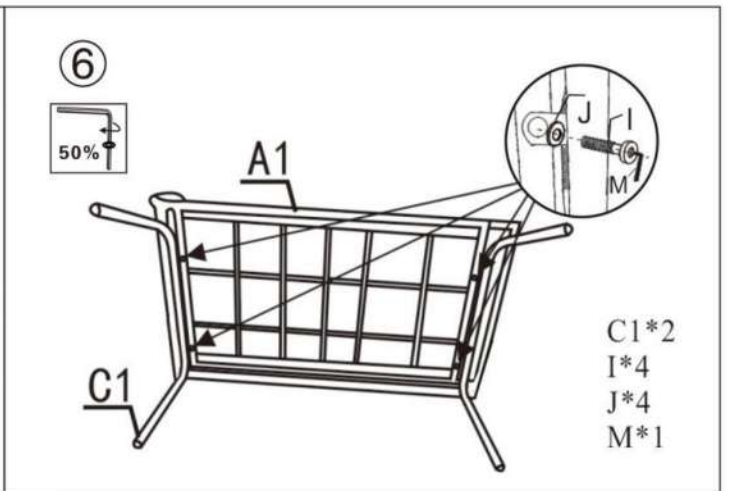
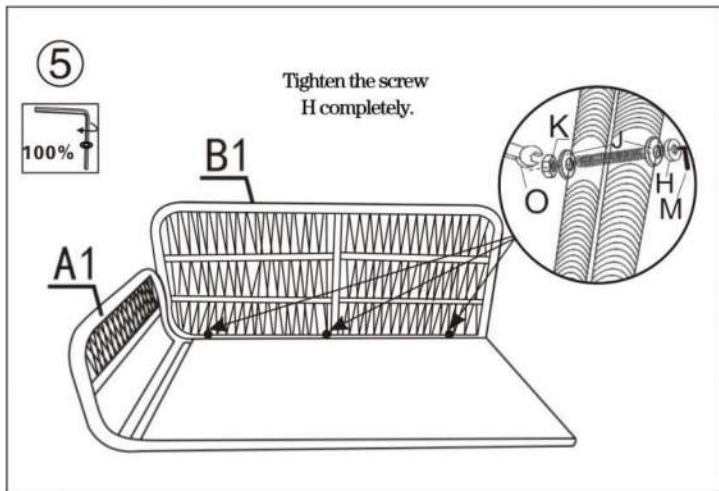
1. Please check the manual carefully and make sure you have received all the parts.
2. If there is any missing, please let us know the code of the parts you need.
3. If there is any damage, please send clear photos to us, we will check and offer you best solution soon.

# ASSEMBLY INSTRUCTION FOR LOVESEAT

Part list			
NO	Descripcion	Drawing	QTY
A1	Seat		1pc
B1	Backrest		1pc
C1	Feet tube(short)		2pcs
D1	Cross bar(long)		2pcs
E1	Cushion		1pc
F	Throw Pillow		2pcs
G	Long throw pillow		1pc

Hardware list			
NO	Drawing	Descripcion	QTY
H		Screw $\phi$ 6X70MM	3pcs
I		Screw $\phi$ 6X15MM	14pcs
J		Washer	21pcs
K		Nut	3pcs
L		Plastic feet	4pcs
M		Allenkey	1pc
N		Connector	1pc
O		Wrench	1pc
P		Plastic parts	1pc
Q		Screw $\phi$ 6X80MM	1pc





# ASSEMBLY INSTRUCTION FOR LONGUE

Part list			
NO	Description	Drawing	QTY
A2	Seat		1pc
B2	Backrest		1pc
C2	Feet tube (long)		2pcs
D2	Cross bar(short)		2pcs
E2	Cushion		1pc
F	Throw Pillow		1pc
G	Long throw pillow		1pc

Hardware list			
NO	Drawing	Specification	QTY
H		Screw $\phi$ 6X70MM	2pcs
I		Screw $\phi$ 6X15MM	14pcs
J		Washer	19pcs
K		Nut	2pcs
L		Plastic Feet	4pcs
M		Allenkey	1pc
N		Connector	1pc
O		Wrench	1pc
P		Plastic parts	1pc
Q		Screw $\phi$ 6X80MM	1pc

①

A2\*1  
B2\*1  
J\*1  
Q\*1  
M\*1  
P\*1

② Don't tighten the screws

J\*4  
M\*1  
H\*2  
K\*2  
O\*1

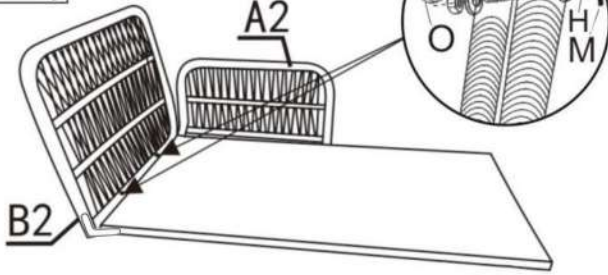
③

I\*2  
J\*2  
M\*1  
N\*1

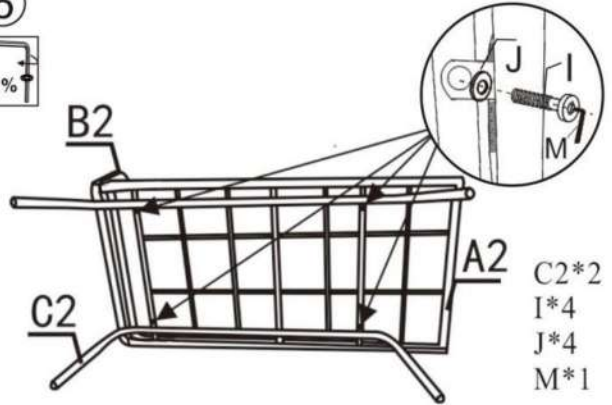
④ Tighten the screw Q completely.

5

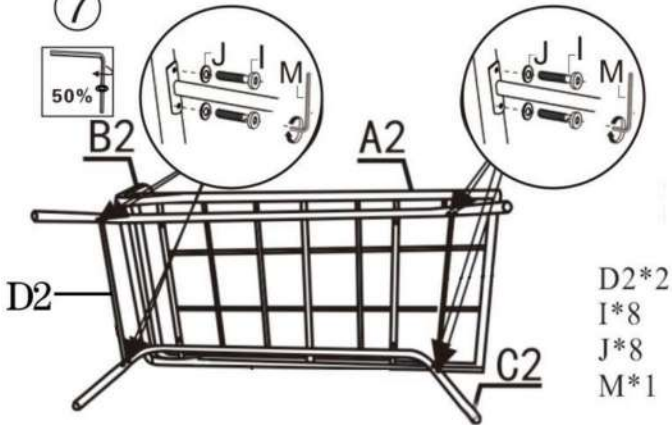
Tighten the screw H completely.



6



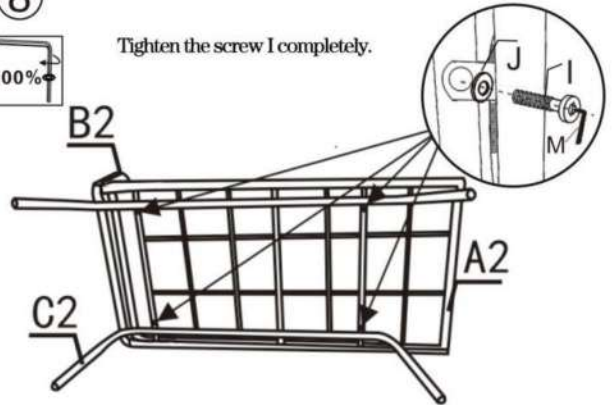
7



8

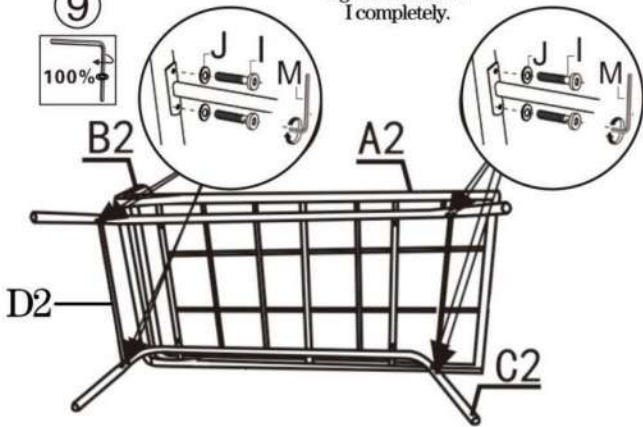


Tighten the screw I completely.

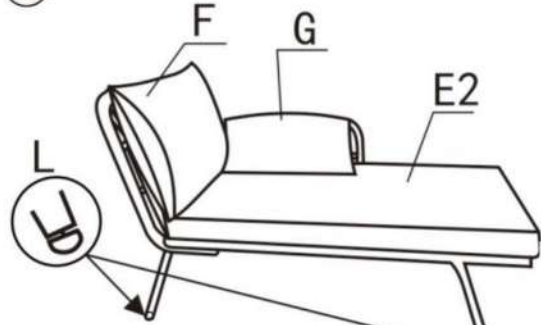


9

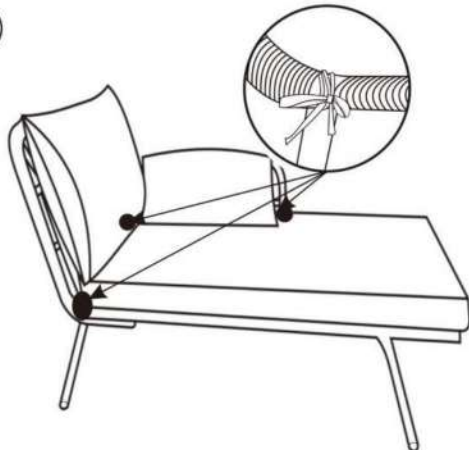
Tighten the screw I completely.



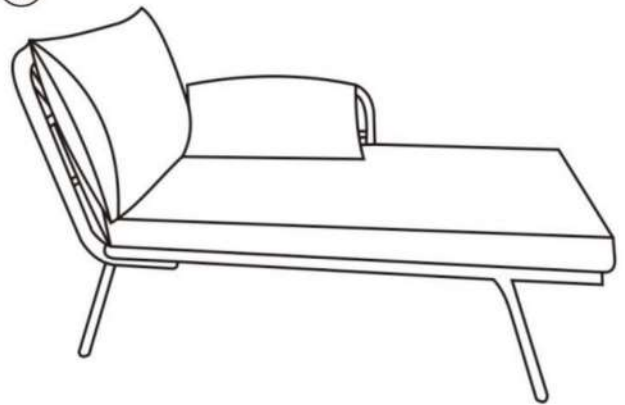
10





11



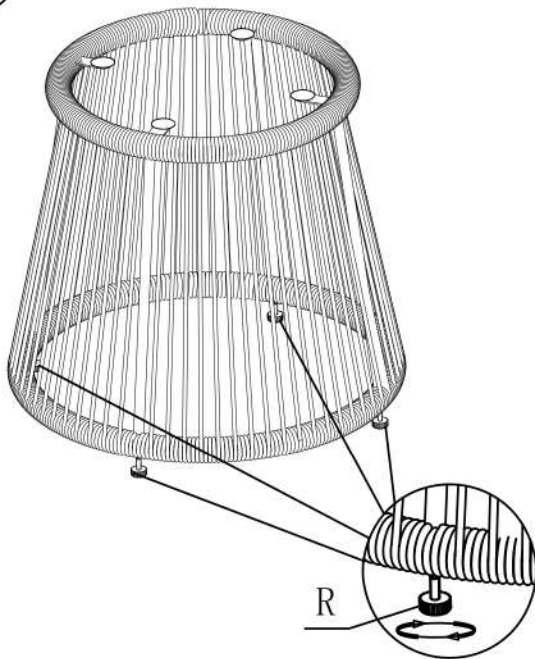
12



# ASSEMBLY INSTRUCTION FOR SIDE TABLE

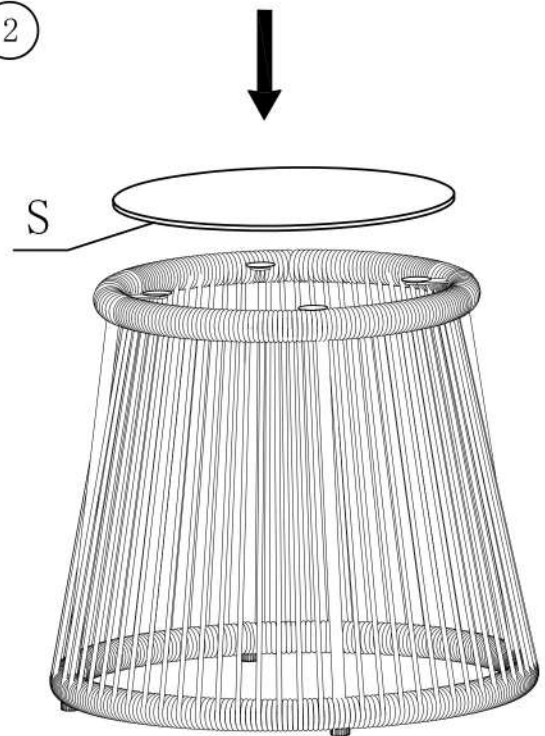
Part list			
NO	Description	Drawing	QTY
R	plastic feet		4
S	glass		1

1



Tighten up the plastic feet cap, adjust it if necessary

2



3

