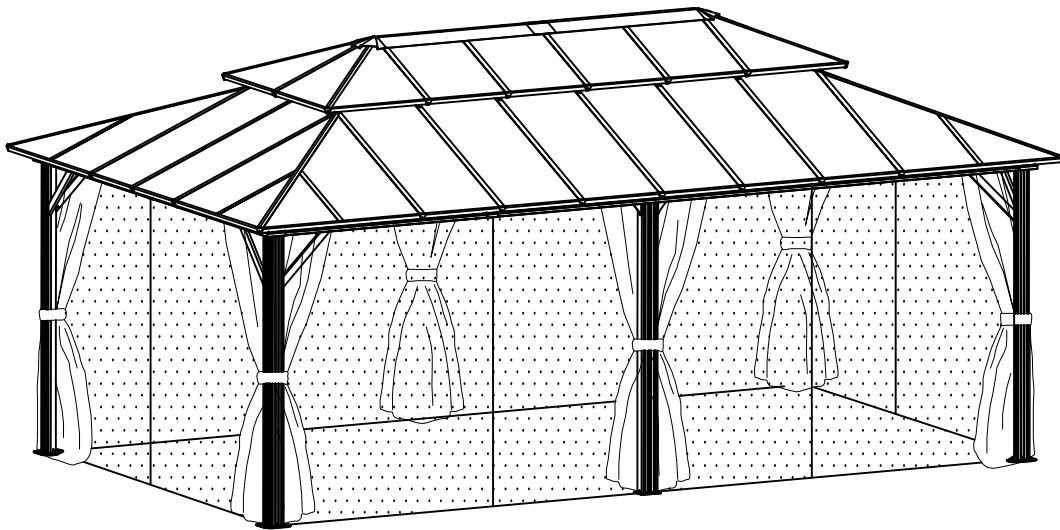


12 x 20 FT



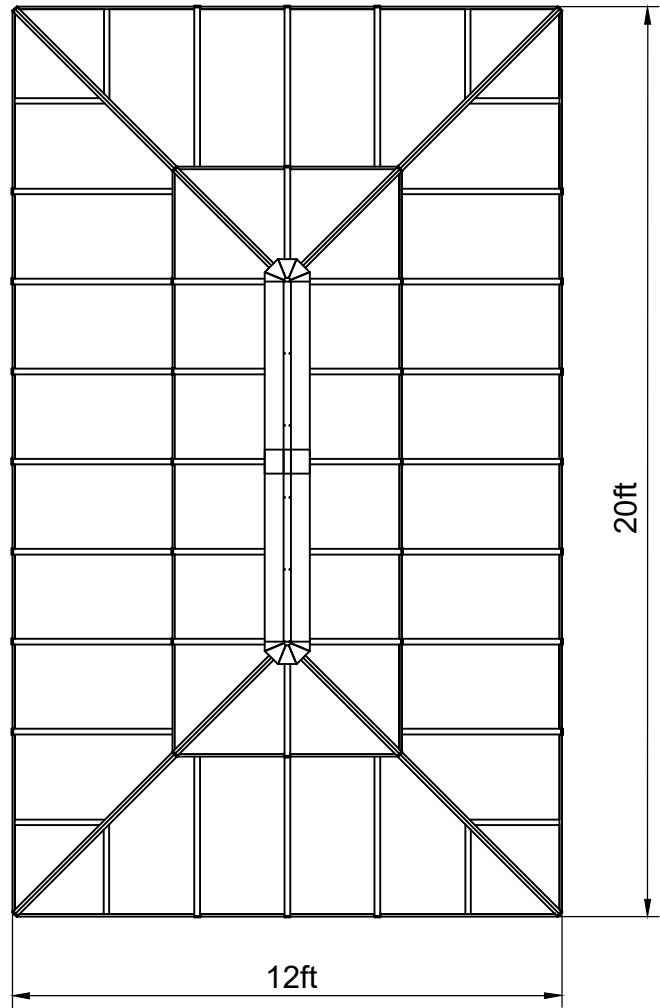
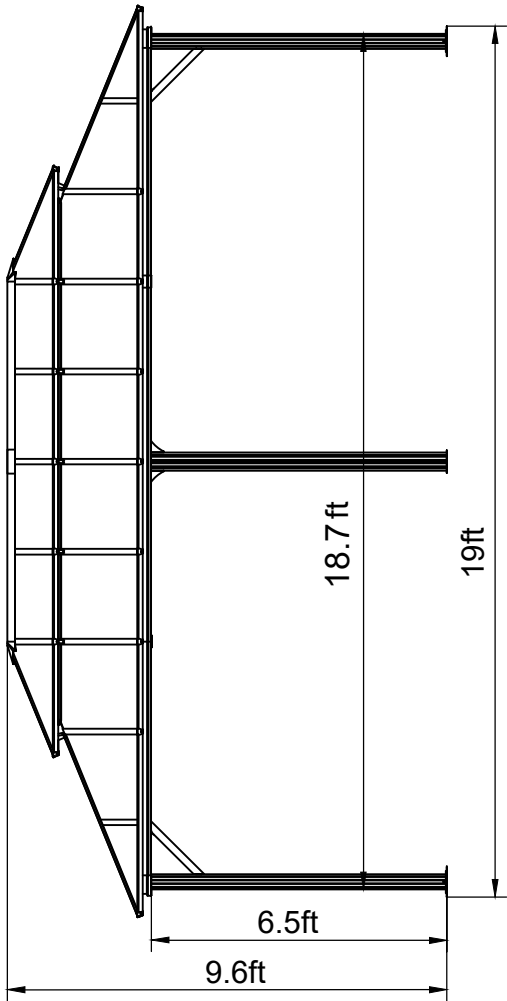
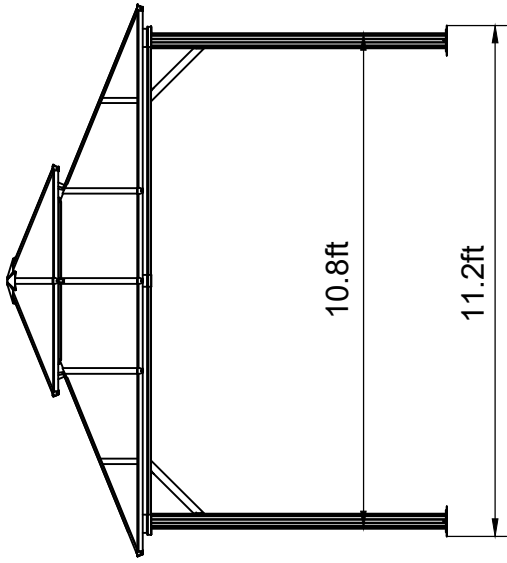
JFG011



At least need 5 people work together

REQUIRED TOOLS







A7 4x



A2 2x



F 4x



F1 4x



G4 2x



D6 4x



D7 4x



E4 6x



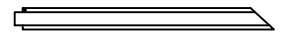
E7 6x



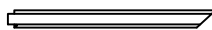
E5 4x



E6 4x



Y10 4x



Y11 4x



Z29 12x



Z21 4x



Z22 4x



Z23 2x



Z24 2x



Z25 2x



Z26 2x



Z27 2x



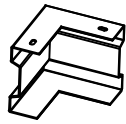
Z28 2x



H 4x



H1 4x



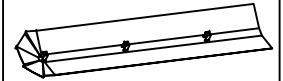
(K3) 4x



(K4) 6x



(L7) 1x



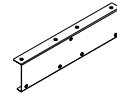
(M7) 2x



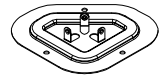
(N) 12x



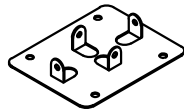
(N1) 32x



(P1) 6x



(J2) 4x



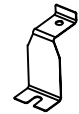
(J1) 2x



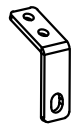
(W1) 2x



(W2) 2x



(V) 6x



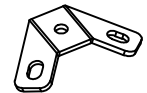
(X) 20x



(X1) 8x



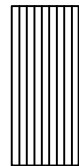
(X2) 8x



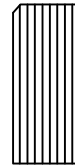
(X4) 4x



(R1) 3x



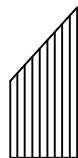
(B) 8x



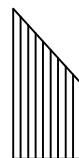
(B1) 4x



(B2) 4x



(B3) 4x



(B4) 4x



(B5) 4x



(B6) 4x



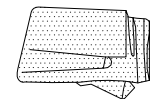
(C) 8x



(C1) 4x



(C2) 4x



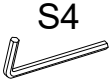
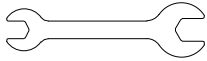






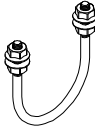

(S7) 4x+2x



(T7) 4x+2x



(U) 152x

 <p>S4 1x</p>	 <p>1x</p>	 <p>M6x15</p>	 <p>2</p>
 <p>S6 1x</p>	<p>1x</p>	<p>1 278x</p>	<p>2 16x</p>
 <p>M5x15</p> <p>3 72x</p>	 <p>ST4.8x12</p> <p>4 8x</p>	 <p>5 3x</p>	 <p>6 2x</p>
 <p>7 18x</p>			

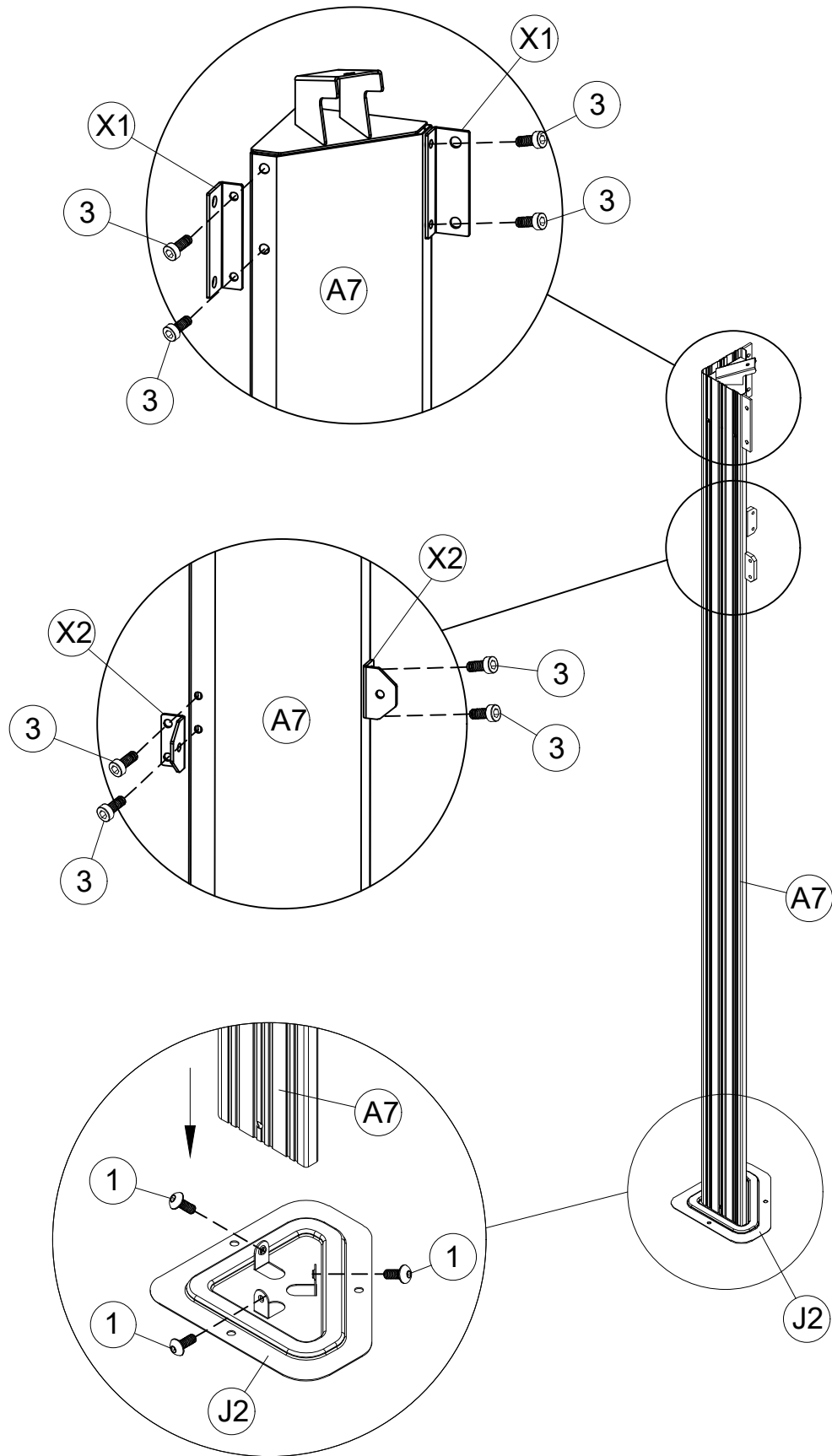
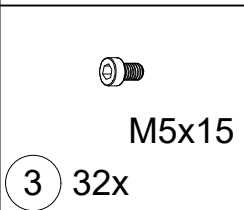
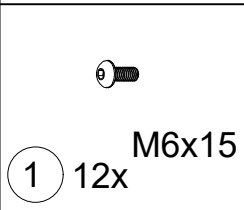
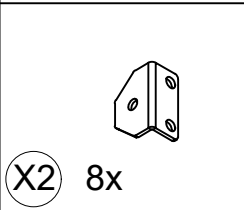
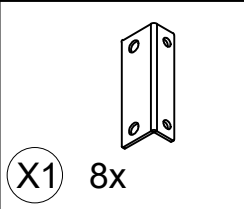
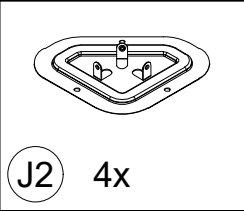
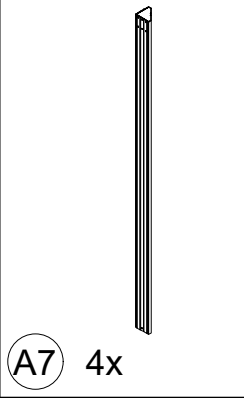
Box A	
Part #	Qty
A7	4
E4	4
Box B	
Part #	Qty
D6	2
Z29	12
Z23	2
Z24	2
Z25	2
Z26	2
Z27	2
Z28	2
F	4
F1	4
E6	4
N	12
N1	32
X	20
X1	8
X2	8

X4	4
V	6
U	152
W1	2
W2	2
K4	6
J1	2
J2	4
E5	4
Box C	
Part #	Qty
A2	2
E4	2
E7	6
H	4
H1	4
P1	6
K3	4

Box D	
Part #	Qty
L7	1
M7	2
G4	2
Y10	4
Y11	4
Z21	4
Z22	4
D7	4
D6	2
R1	3
T7	4+2
1-7	1
Box E	
Part #	Qty
B	8
B1	4
B2	4
B3	4
B4	4
B5	4
B6	4
C	8
C1	4
C2	4
S7	4+2

6

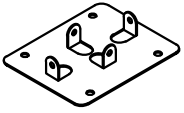
<1>



<2>



A2 2x



J1 2x



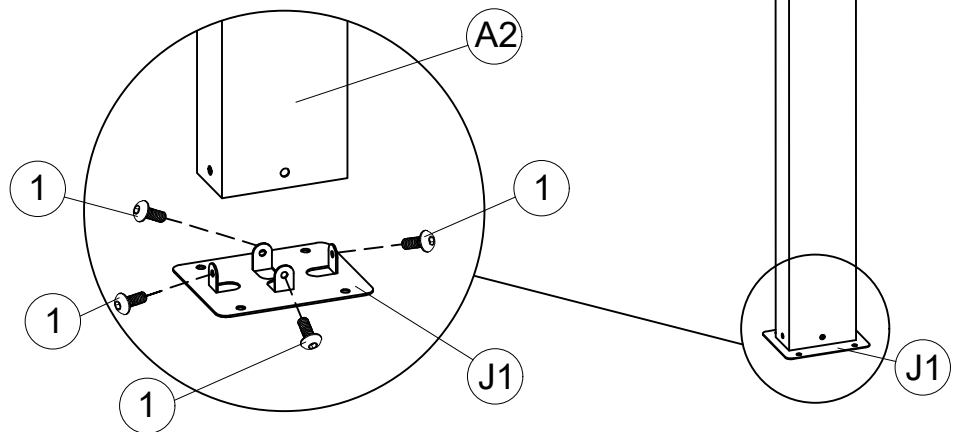
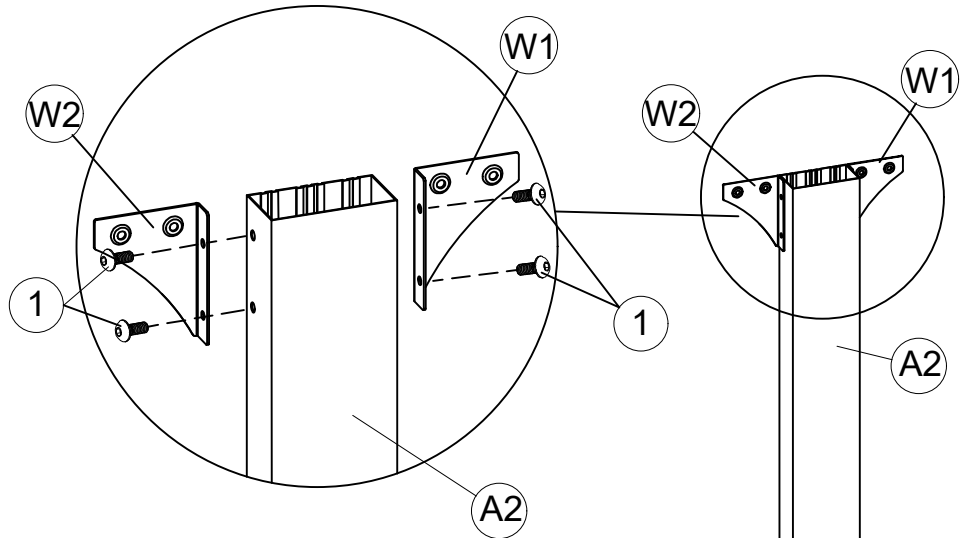
W1 2x



W2 2x



1 16x M6x16

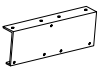




(F) 2x



(F1) 2x

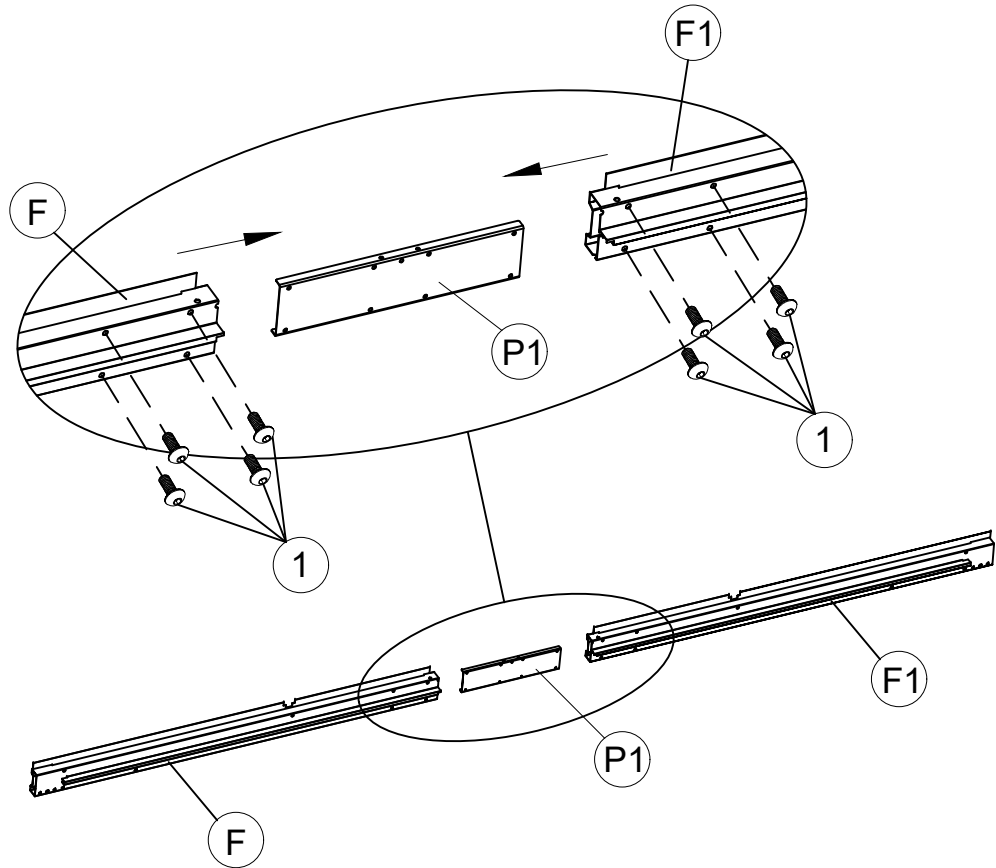


(P1) 2x



(1) 16x M6x15

<3>





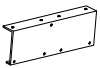
F 2x



F1 2x



G4 2x

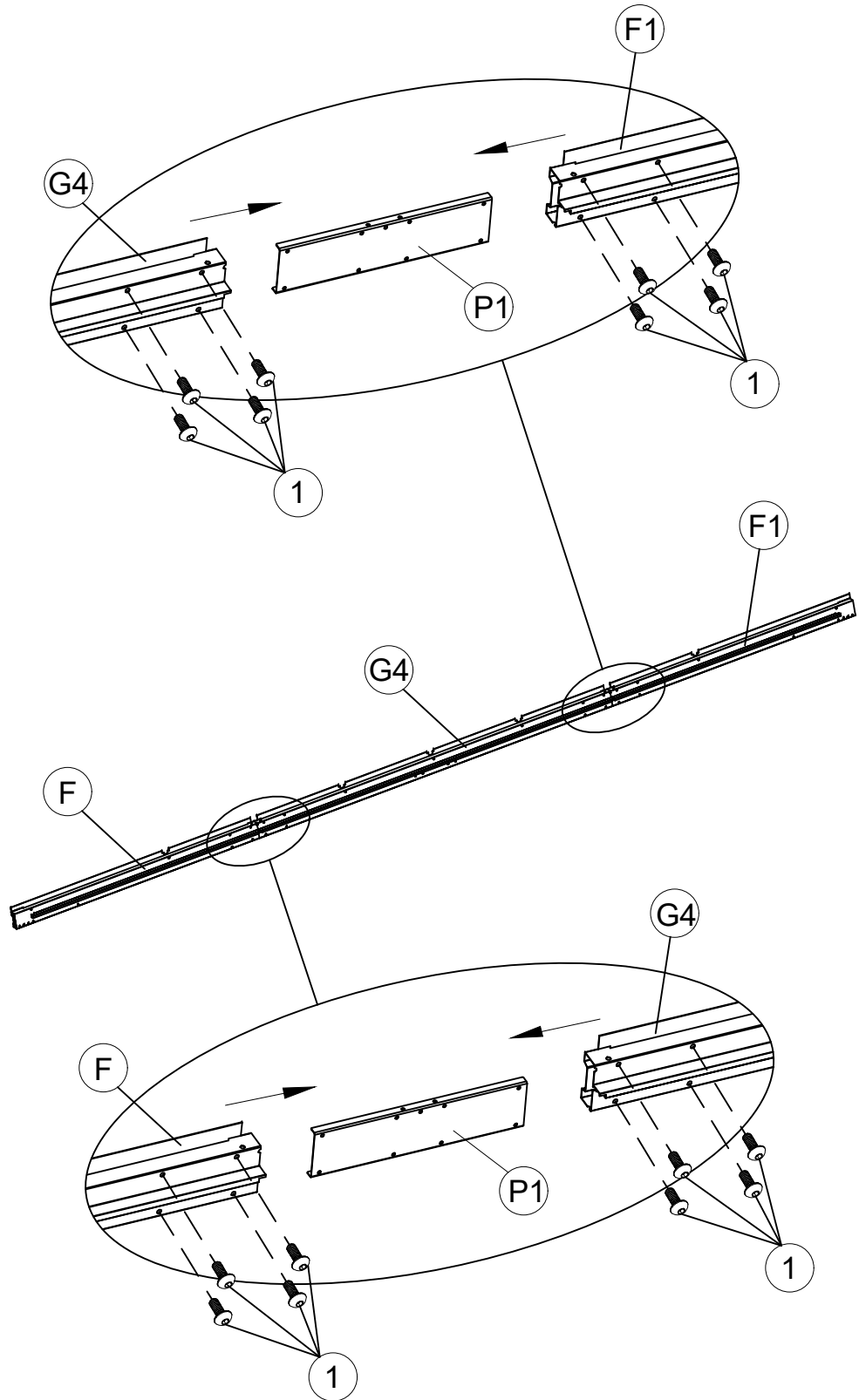


P1 2x



1 32x M6x15

<4>



10

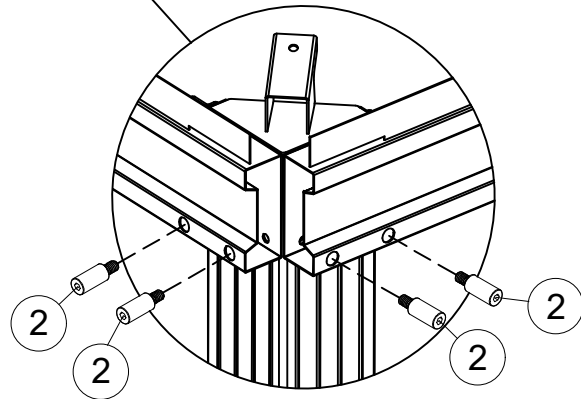
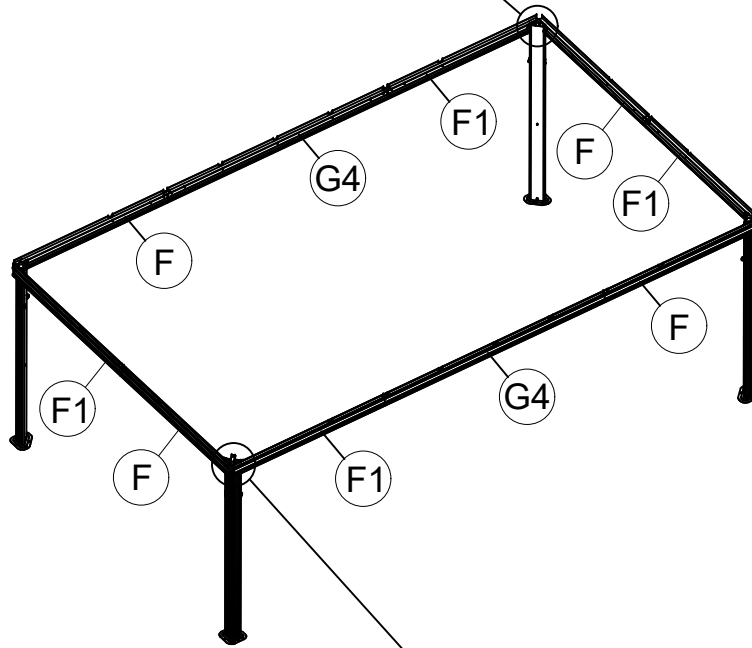
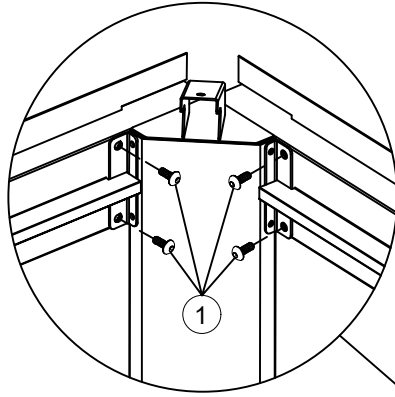


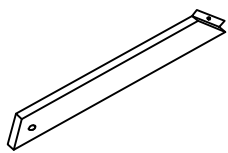
<5>

1 M6x15
16x

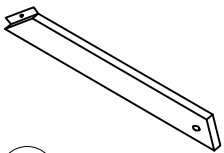


2 16x





H 4x



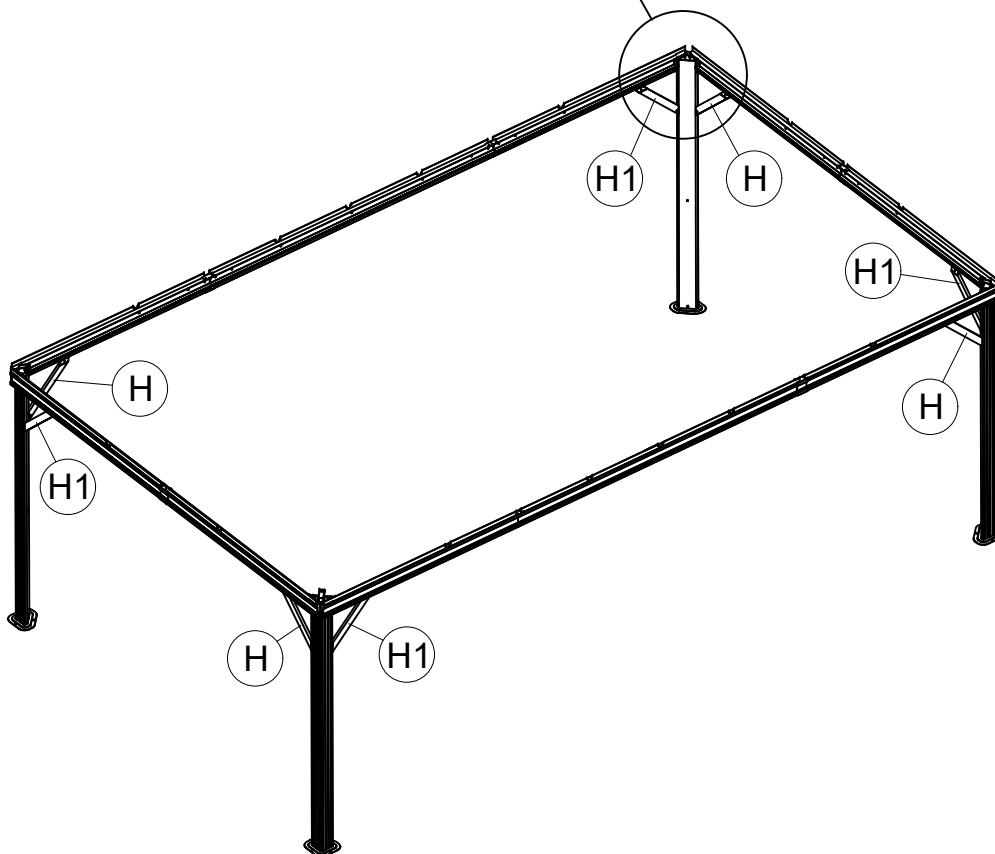
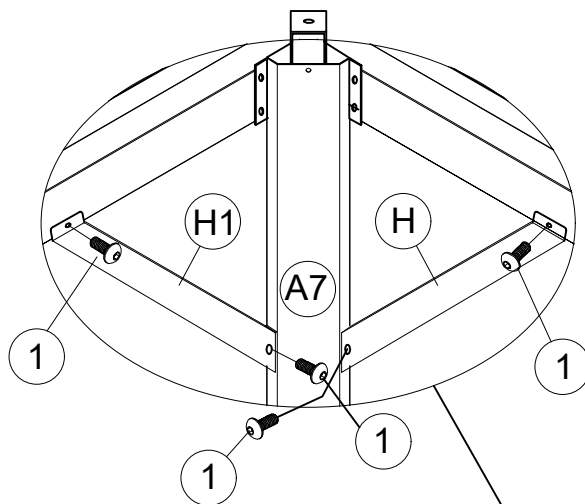
H1 4x



M6x15

1 16x

<6>



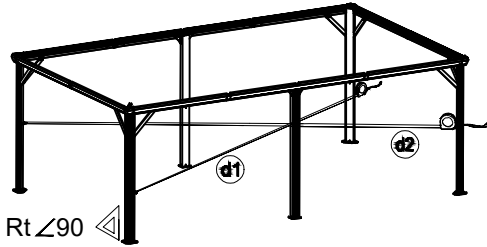


<7>

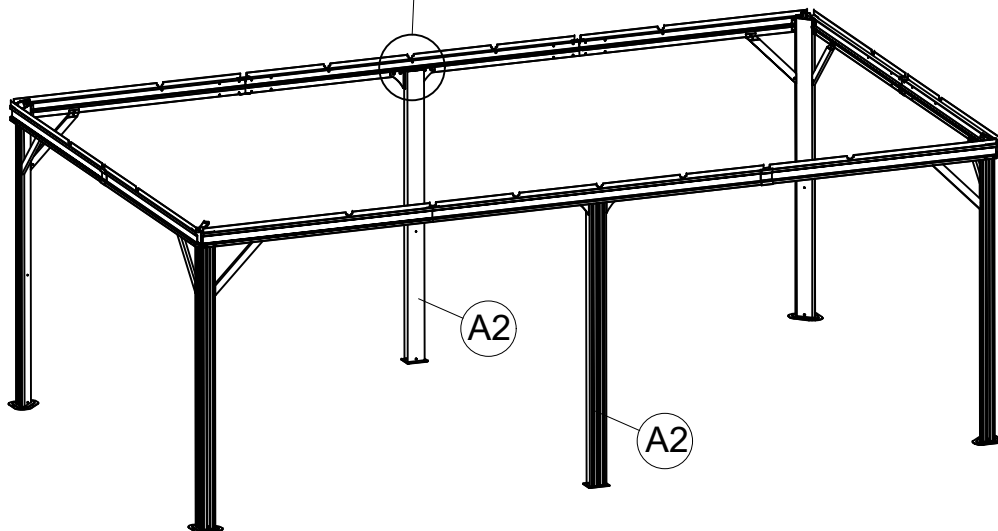
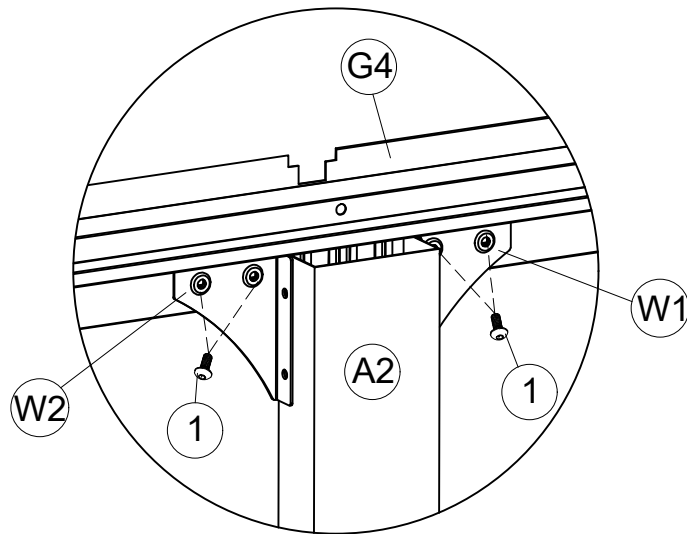
M6x15

1 8x

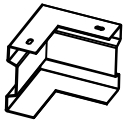
① d1=d2



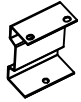
Tips: Please measure to make sure the length of d1 is equal to d2 before moving to next step to ensure a square frame and best results. Keep the beam at right angles to the post, the post at right angles to the ground, and keep the beam horizontal.



13



(K3) 4x



(K4) 6x



(U) 152x



(V) 6x



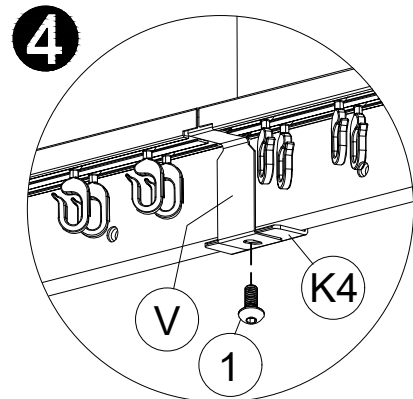
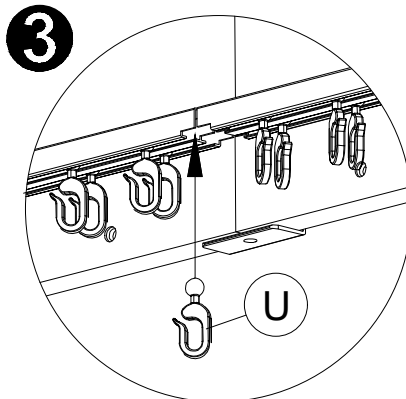
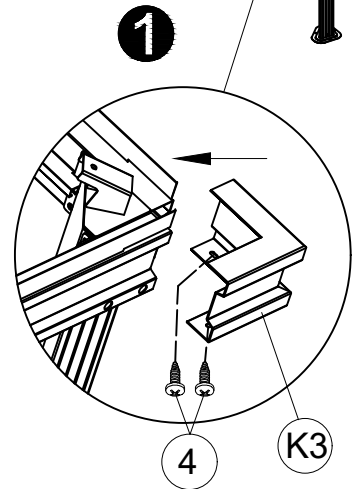
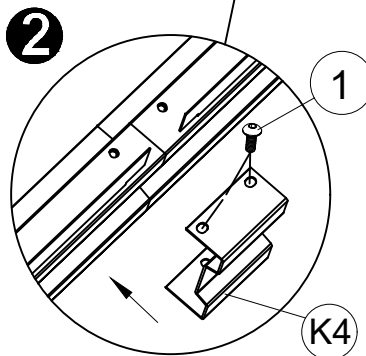
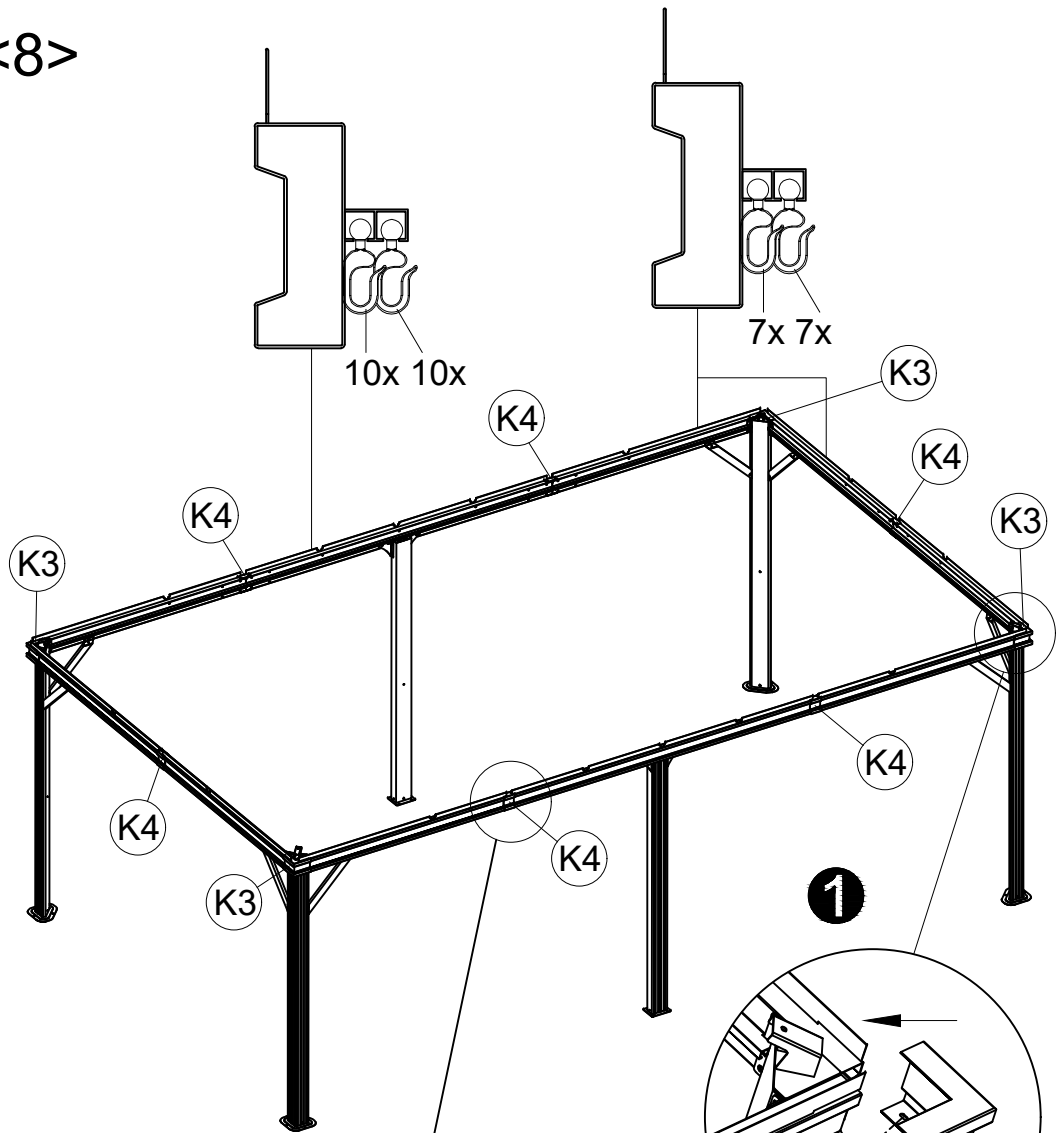
(1) 18x M6x15

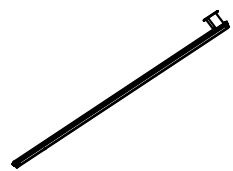


(4) 8x ST4.8x12

14

<8>





D6 4x

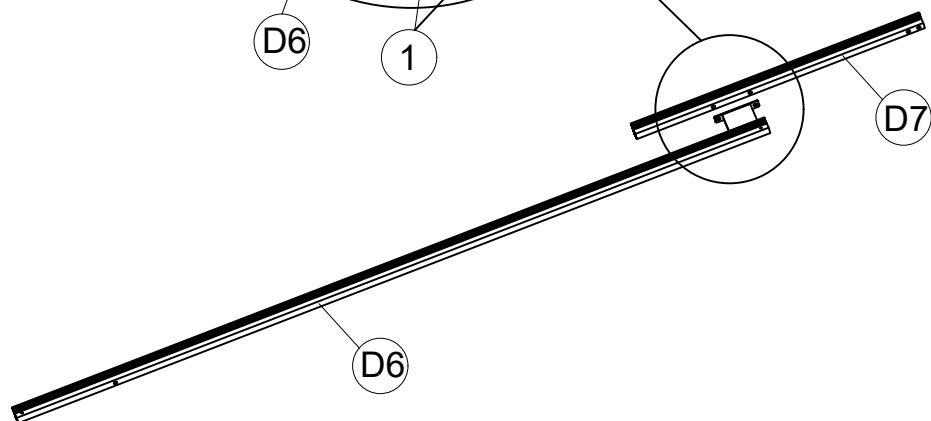
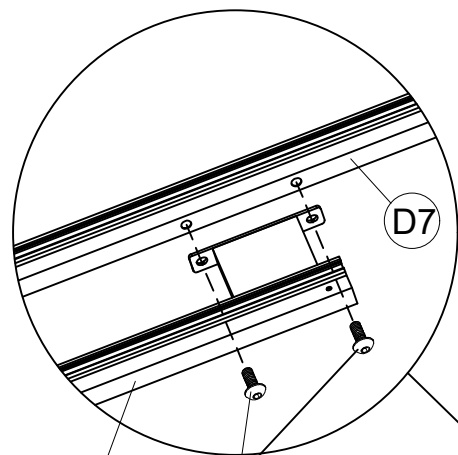
<9>



D7 4x



1 8x M6x15



15

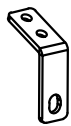
<10>



E4 6x



E7 6x

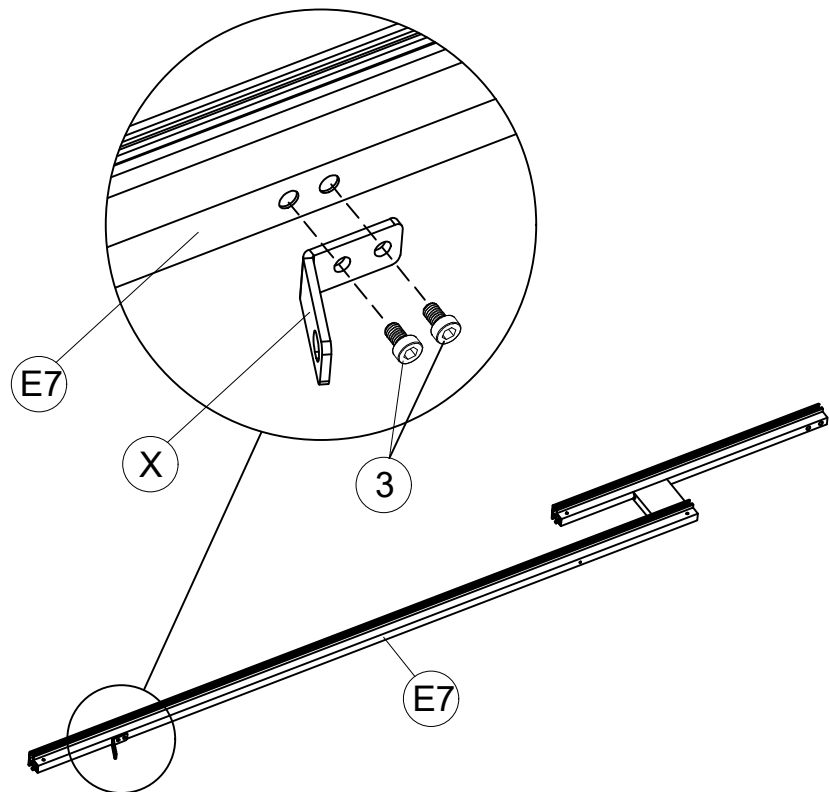
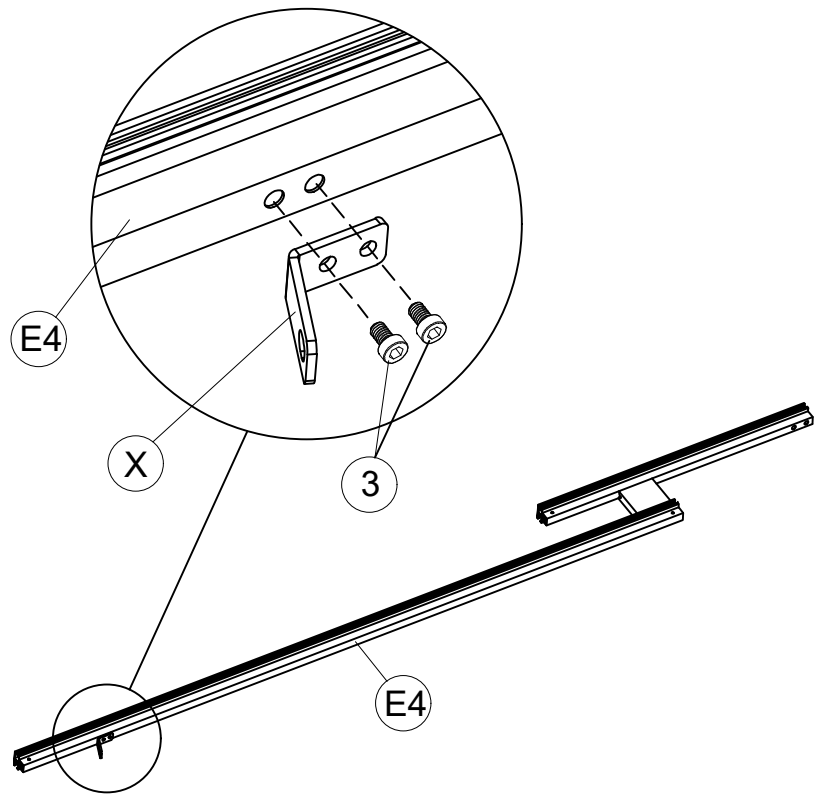


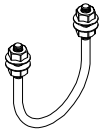
X 12x



3 24x M5x15

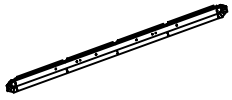
16



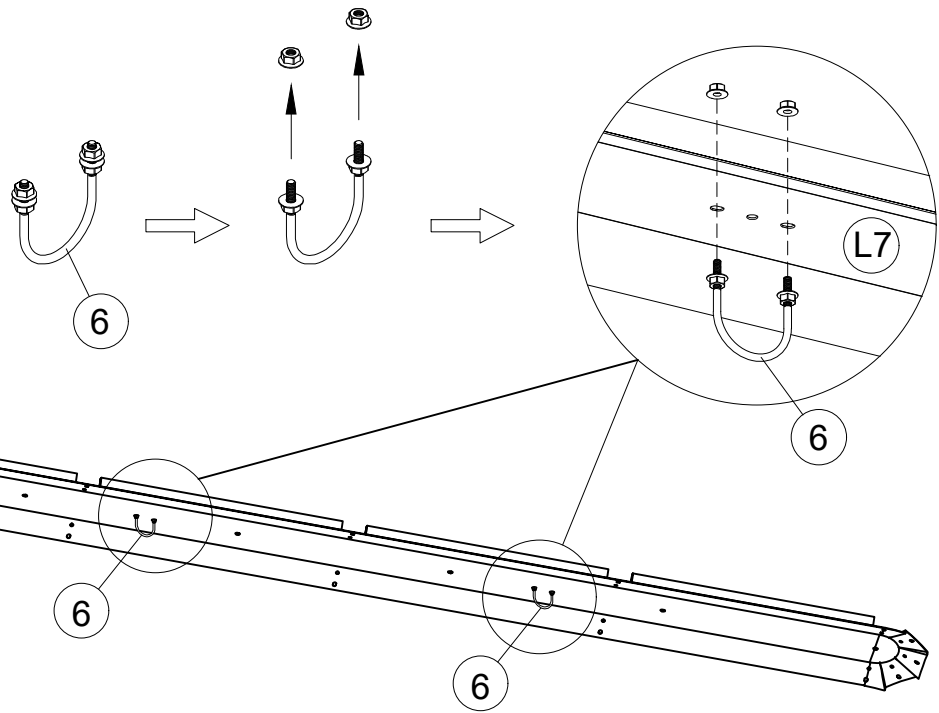


<11>

6 2x



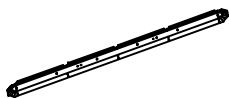
L7 1x



<12>



6x

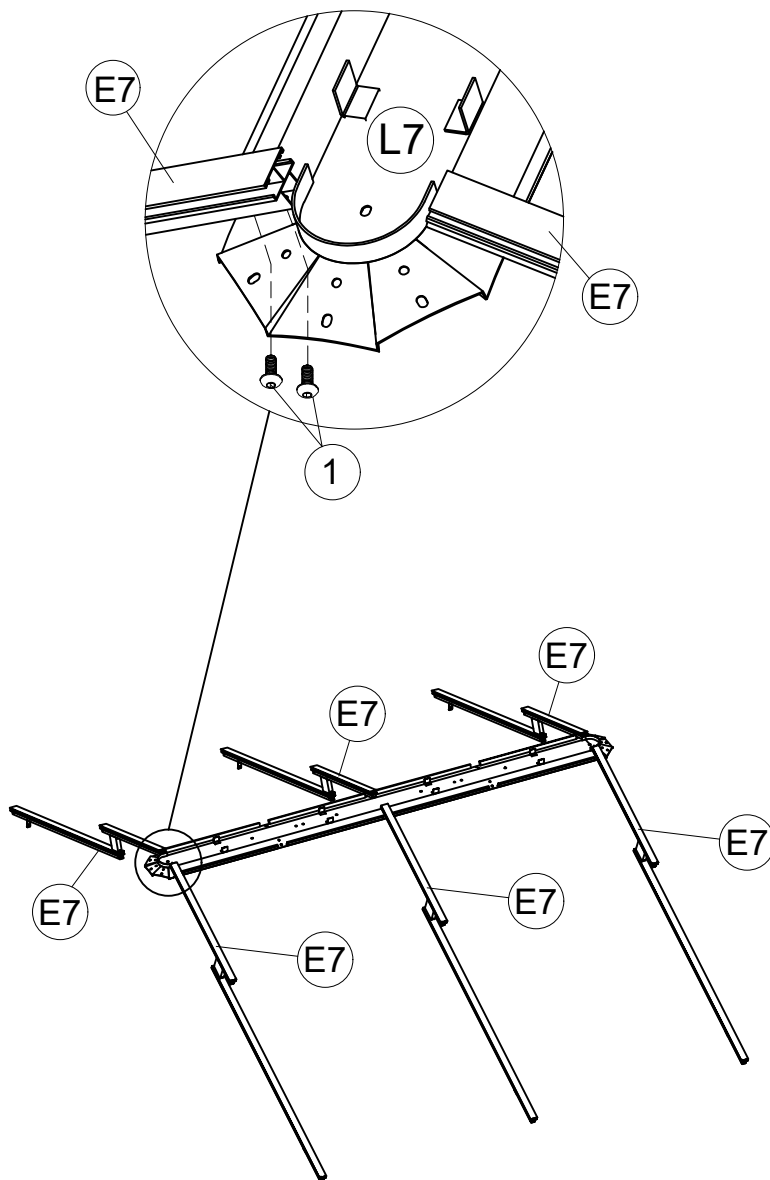


L7 1x



M6x15

1 12x

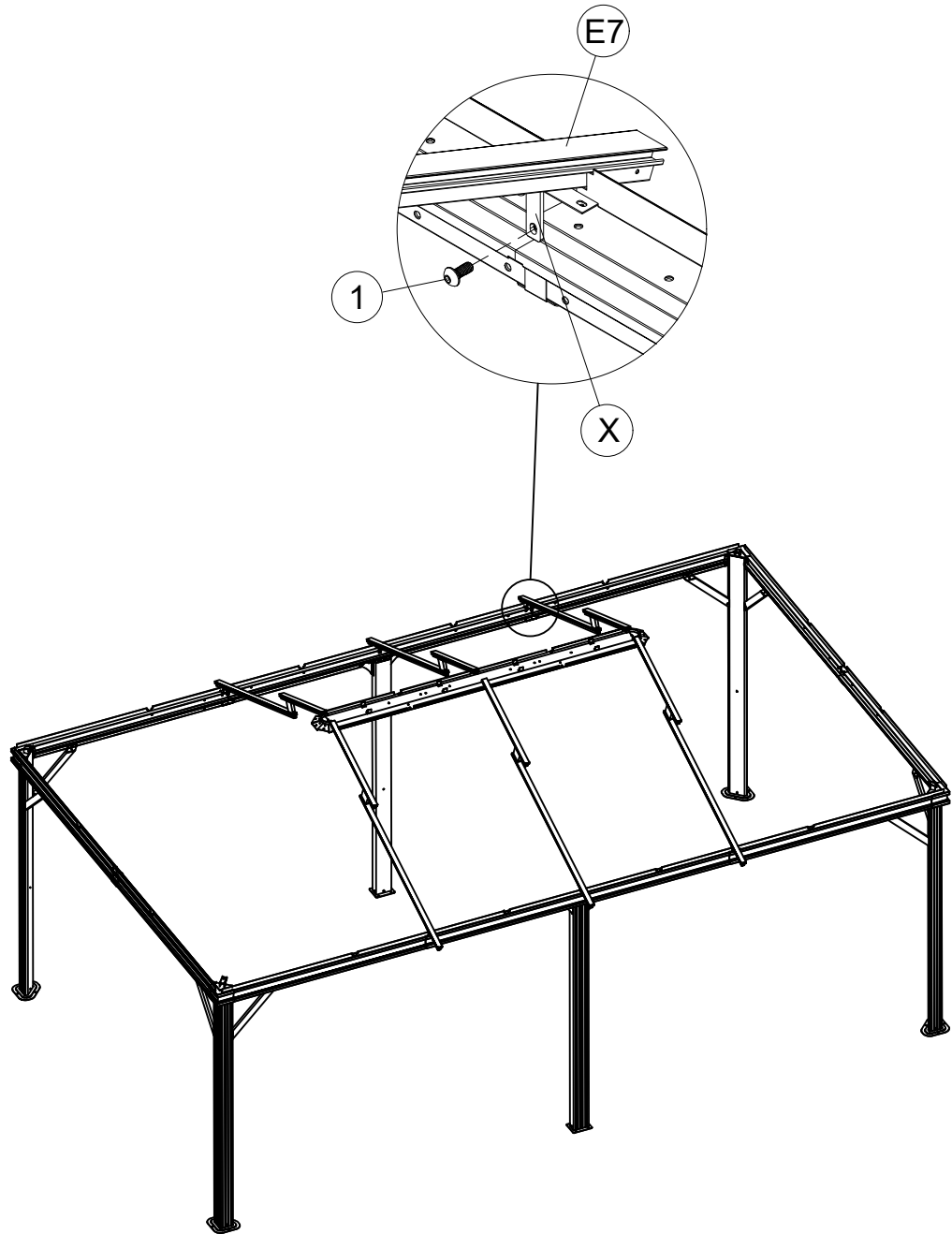




<13>

M6x15

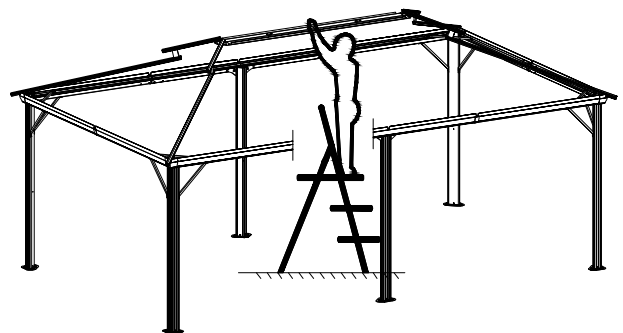
1 6x



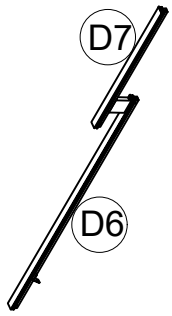
Note:

1. Let one person stand on the ladder to lift "L2" and hold and let others fasten the screws connecting both ends of "E1" & "E2" & "D1".

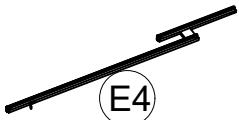
2. Please do not let go of holding "L2" until all the "E1" & "E2" & "D1" screws are installed.



<14>



4x

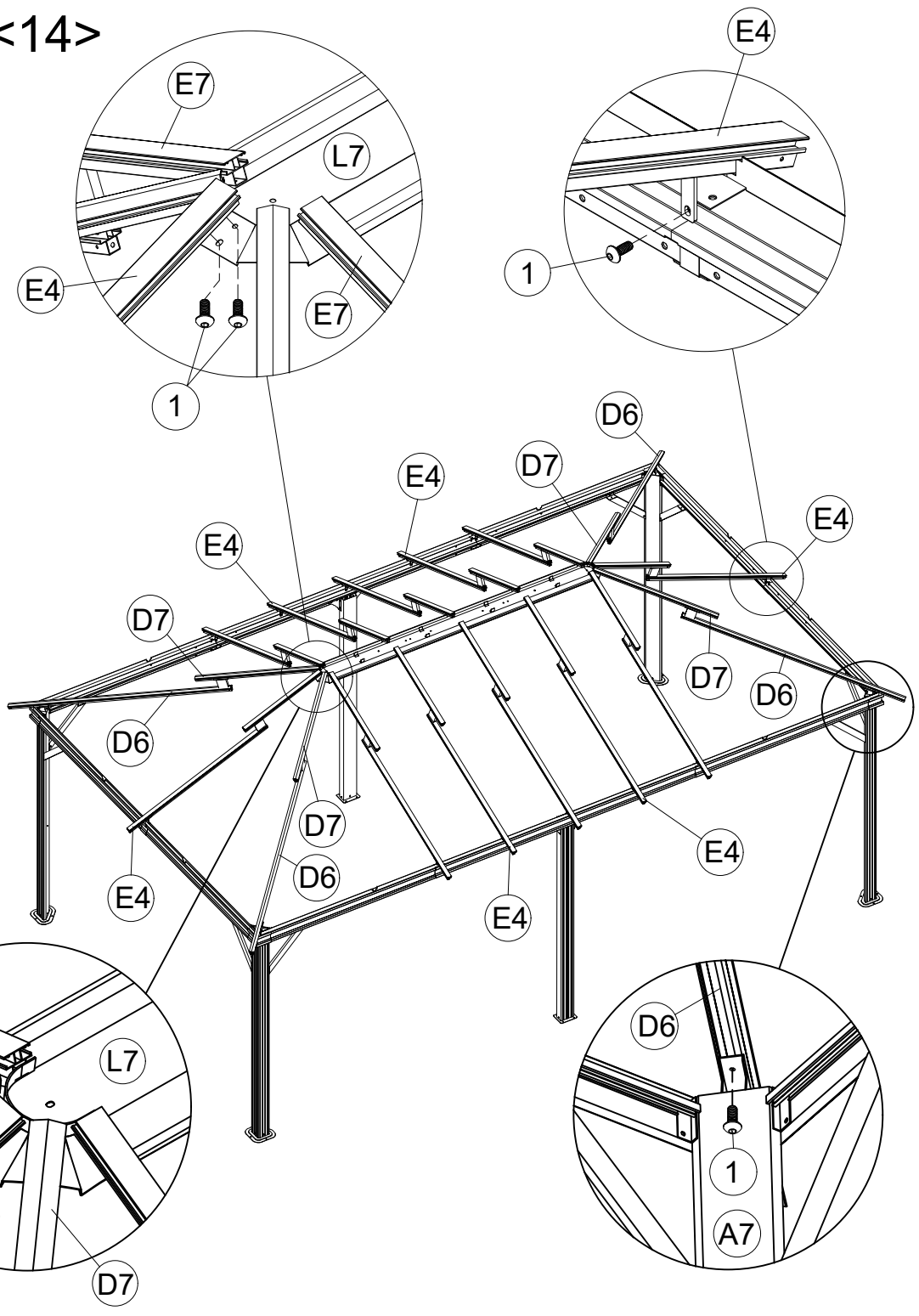


6x



M6x15

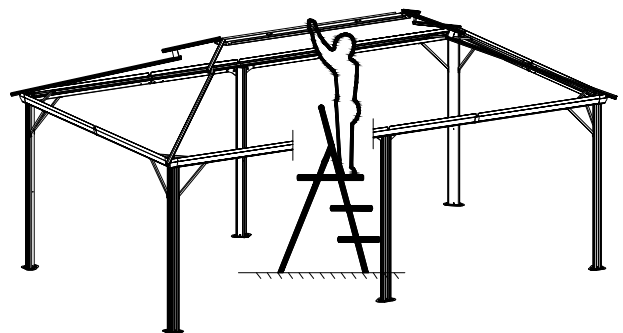
1 30x



Note:

1. Let one person stand on the ladder to lift "L2" and hold and let others fasten the screws connecting both ends of "E1" & "E2" & "D1".

2. Please do not let go of holding "L2" until all the "E1" & "E2" & "D1" screws are installed.



20



<15>

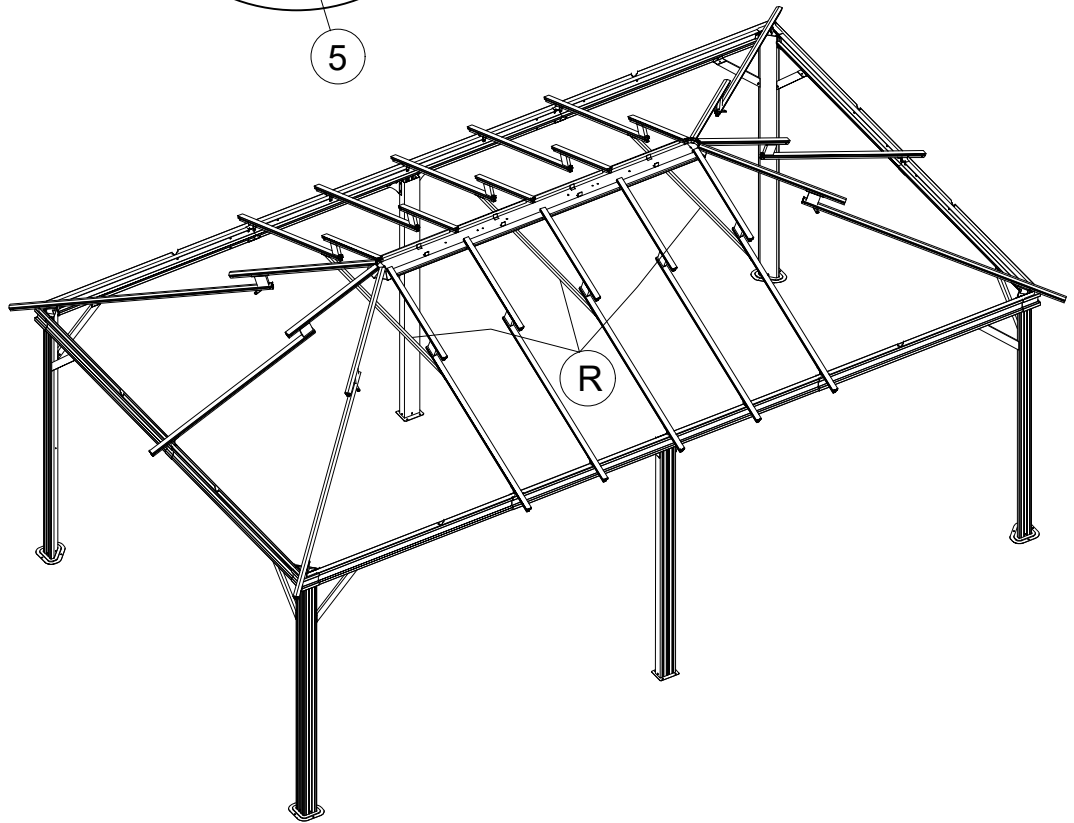
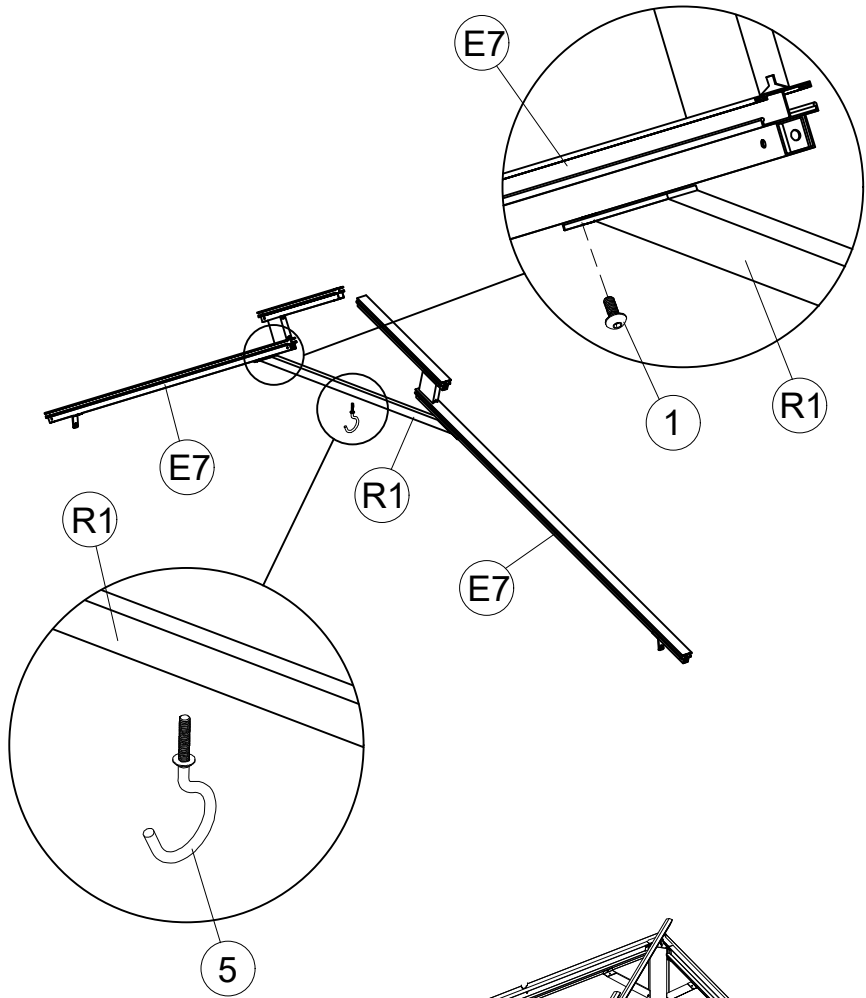
(R1) 3x

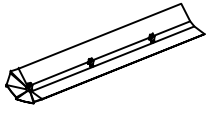


(5) 3x



(1) 6x
M6x15





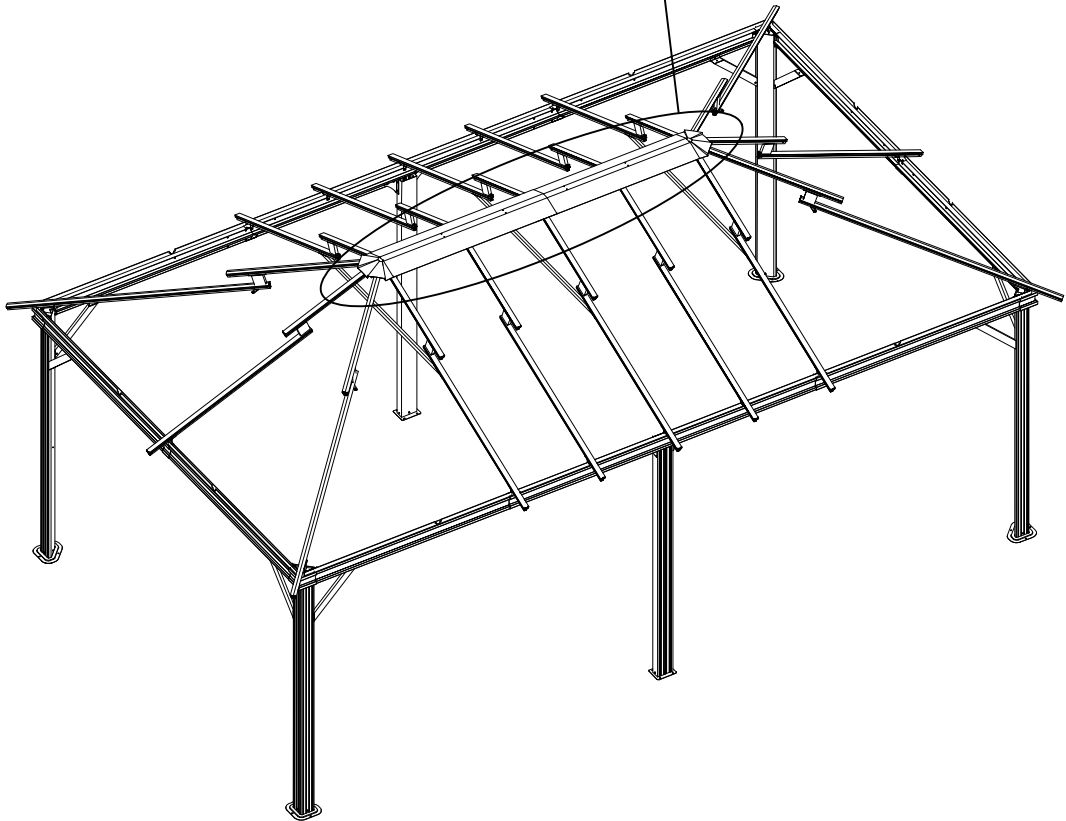
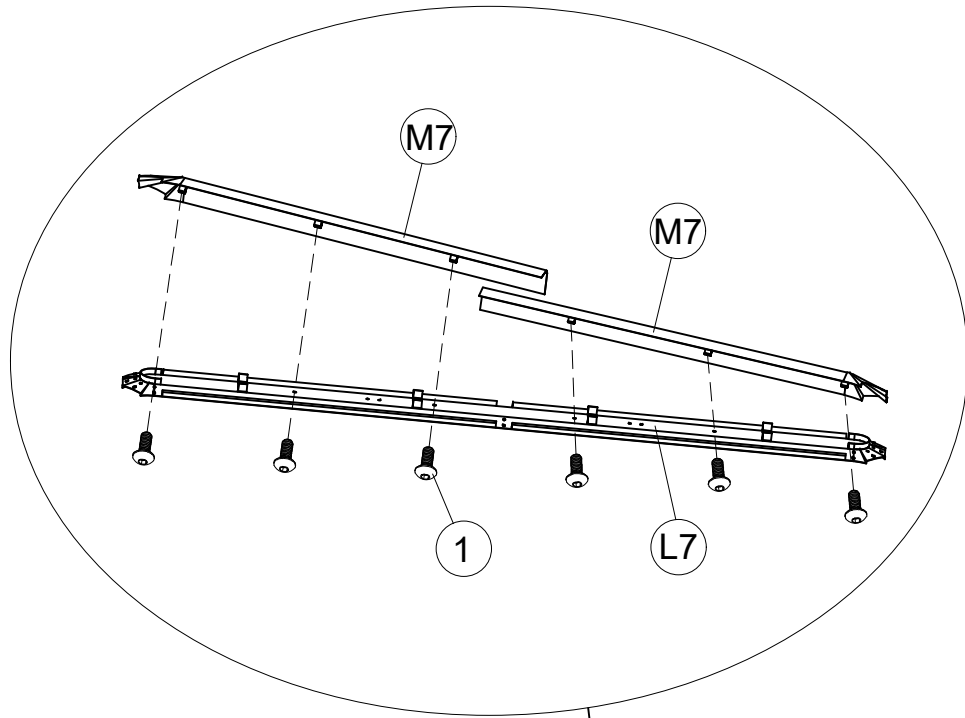
<16>

M7 2x



M6x15

1 6x

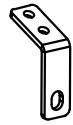




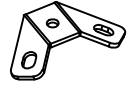
E5 4x



E6 4x



X 8x



X4 4x



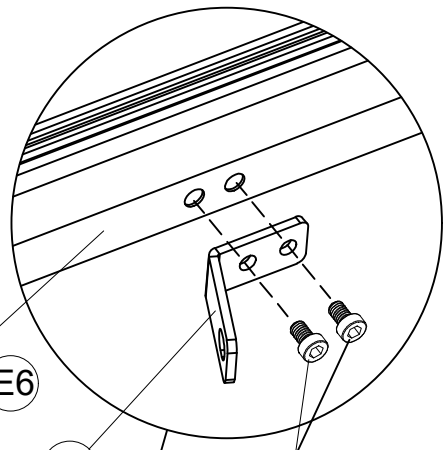
1 20x M6x15



3 16x M5x15

23

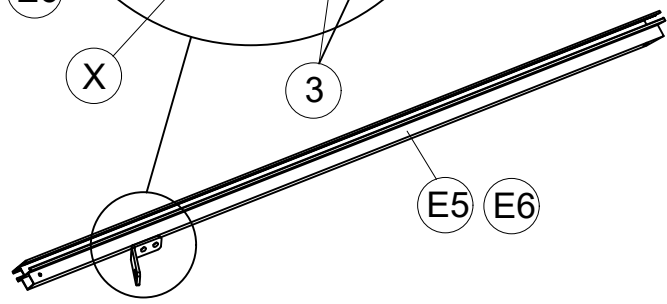
<17>



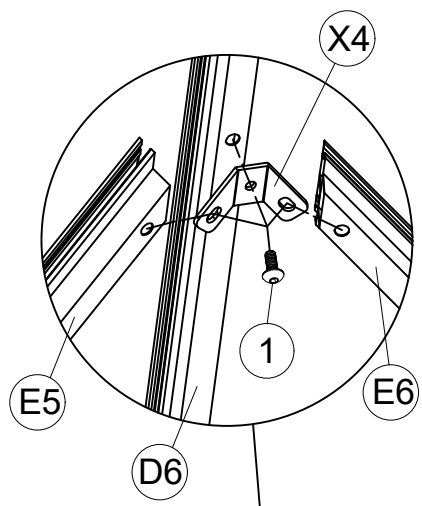
E5 E6

X

3



E5 E6



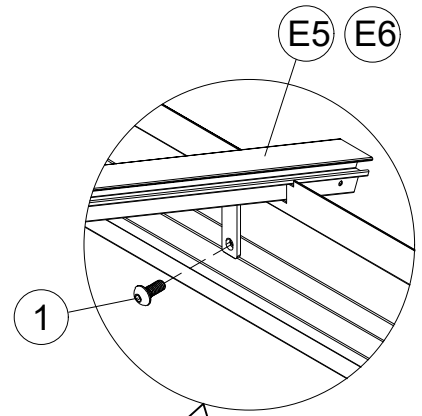
X4

E5

1

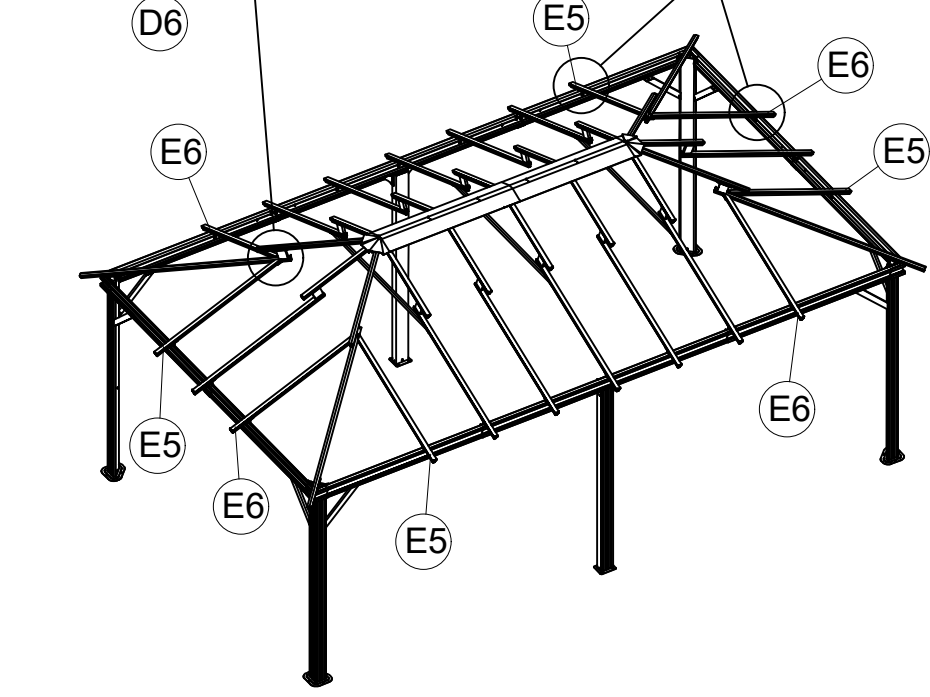
E6

D6



E5 E6

1



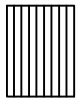
<18>



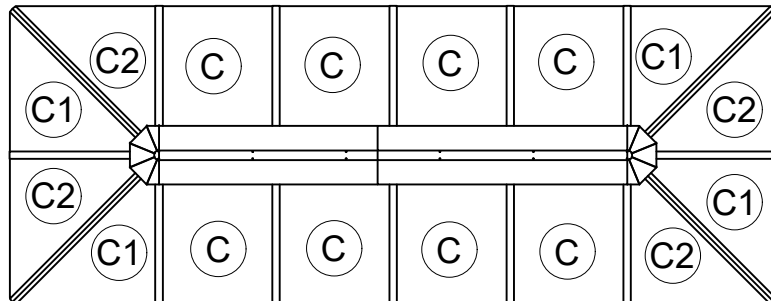
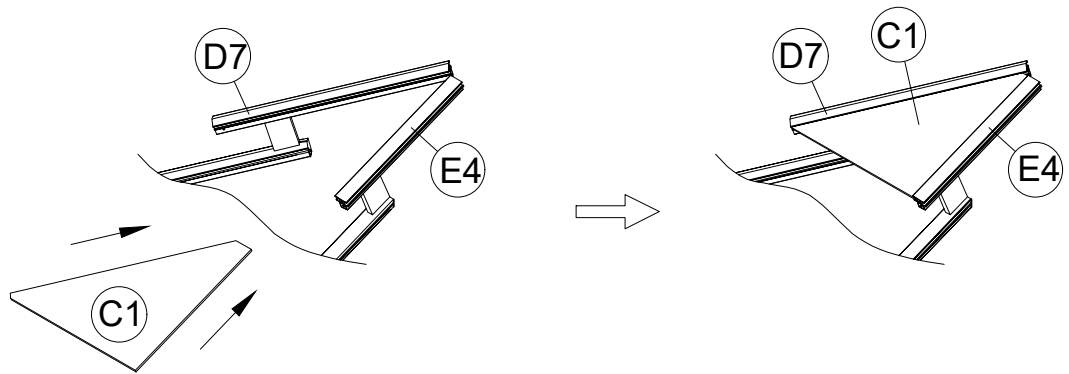
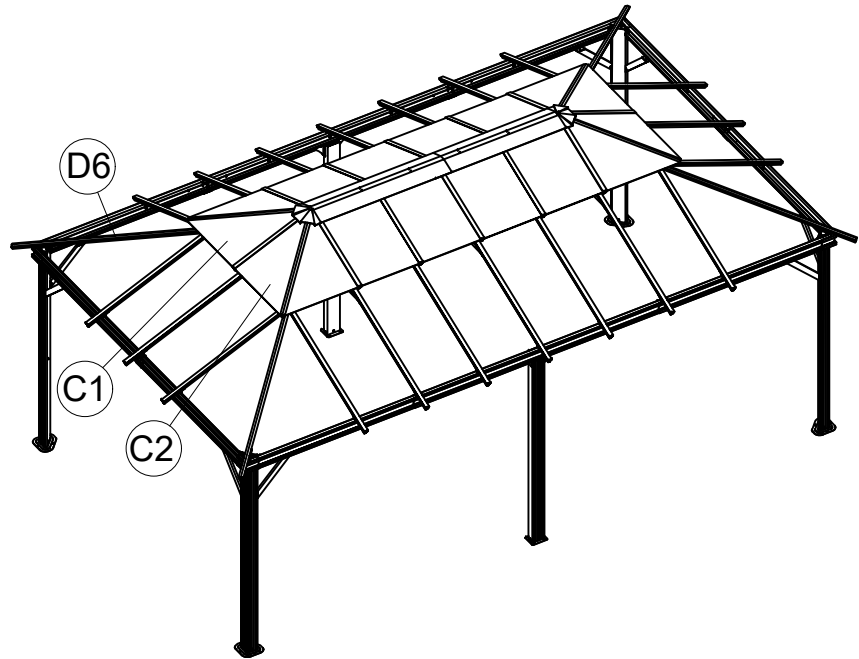
C1 4x



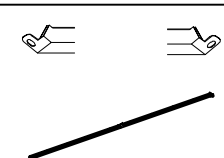
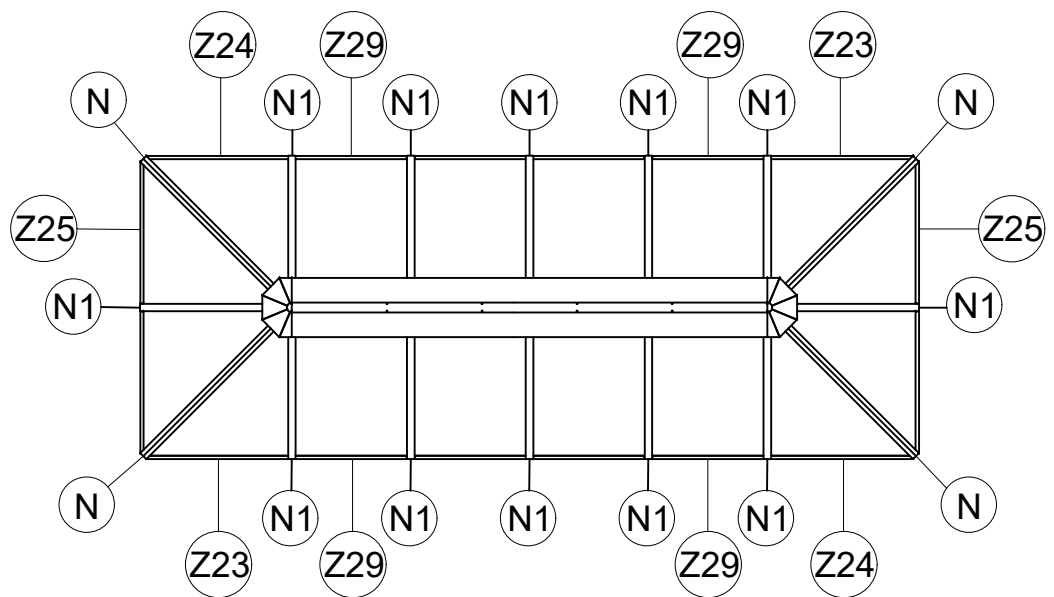
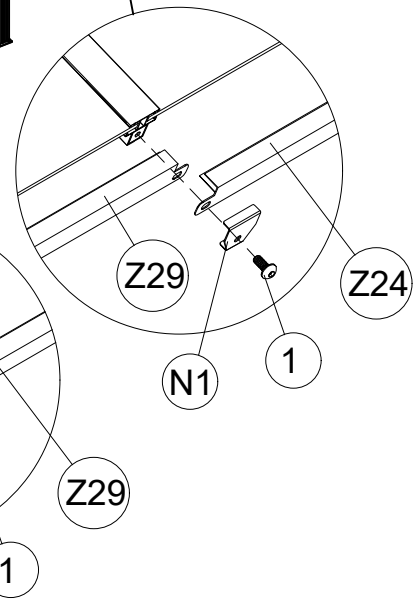
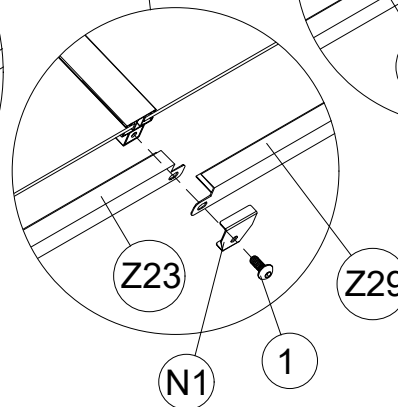
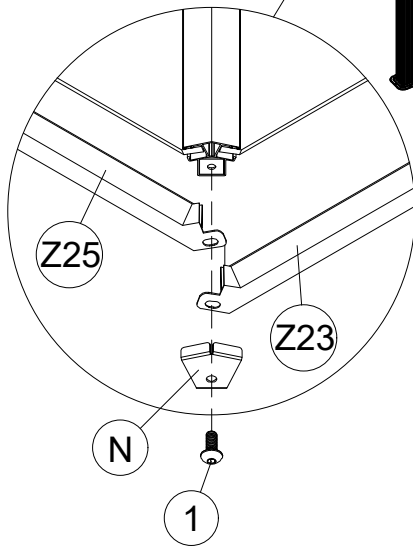
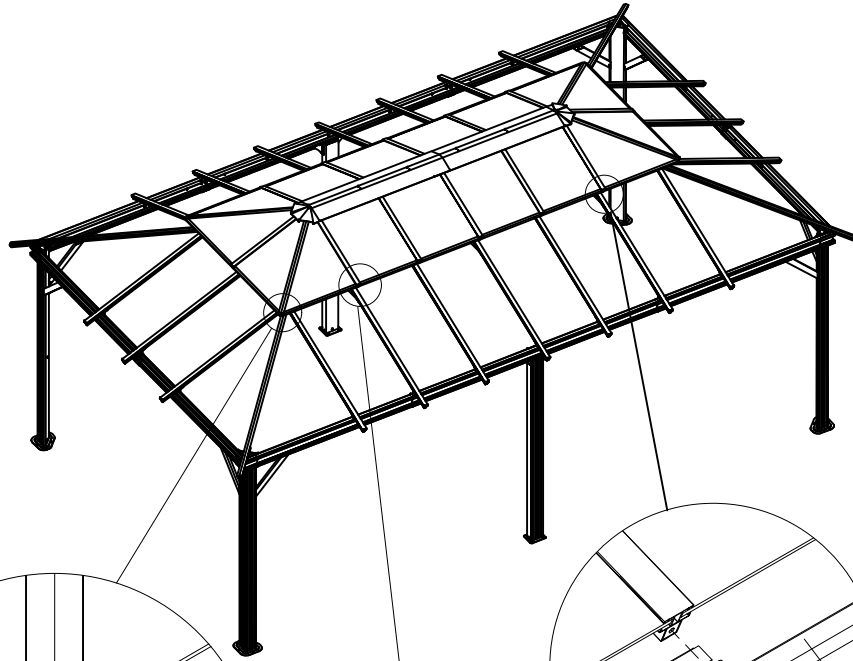
C2 4x



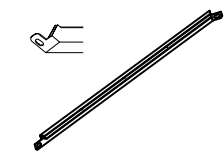
C 8x



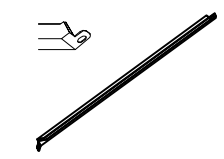
<19>



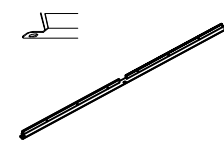
Z25 2x



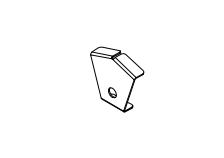
Z23 2x



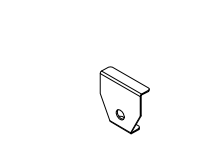
Z24 2x



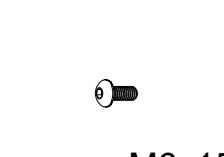
Z29 4x



N 4x



N1 12x



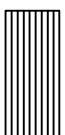
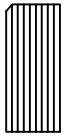
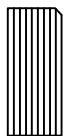
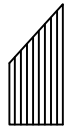


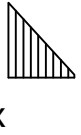


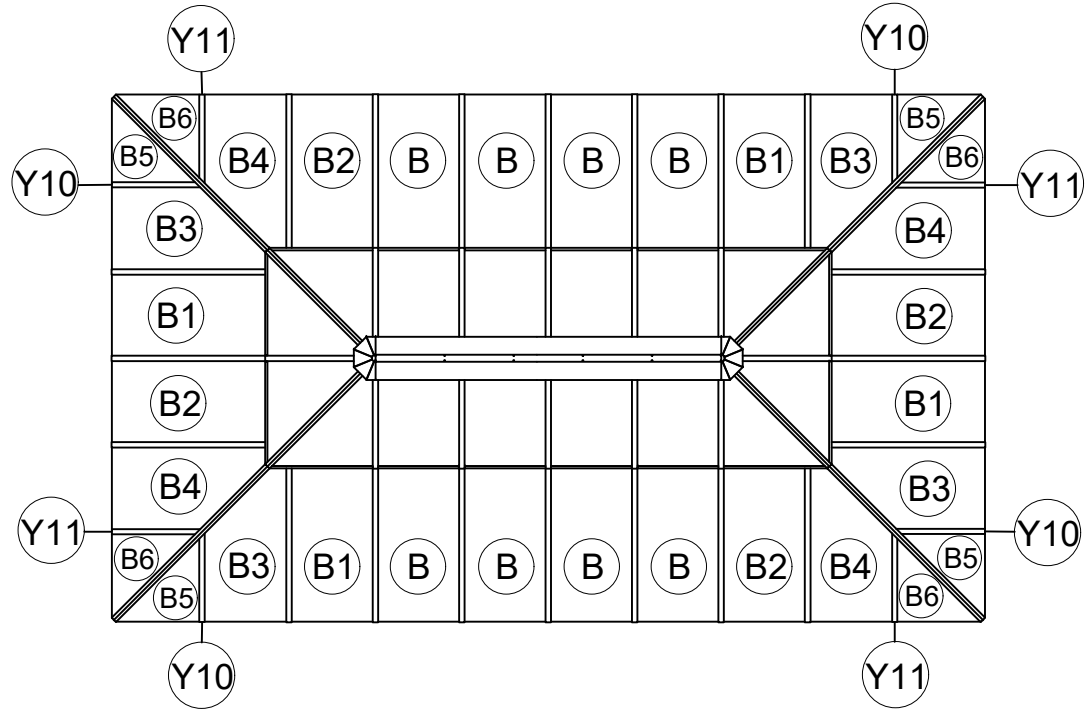
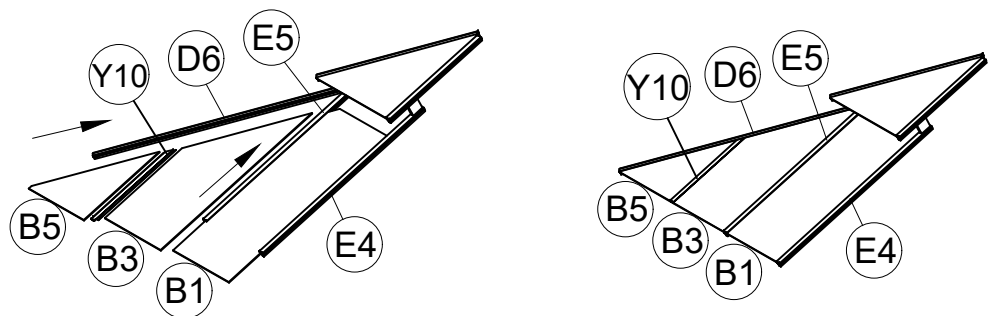
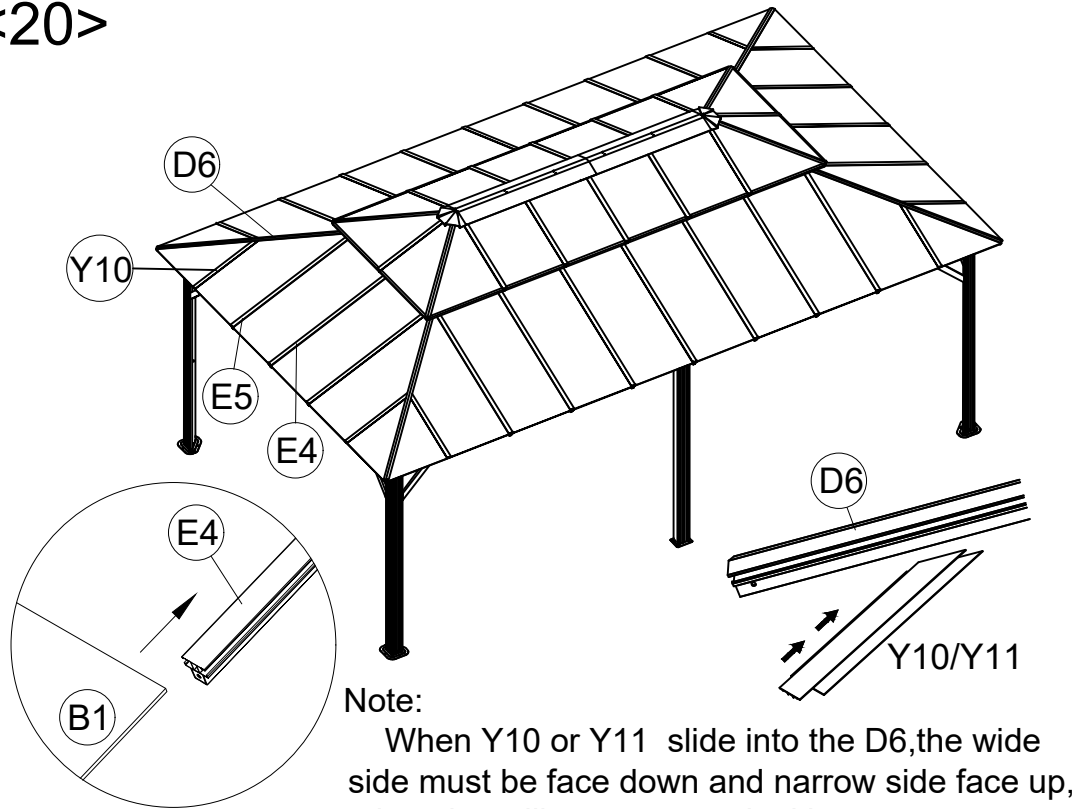
1 16x

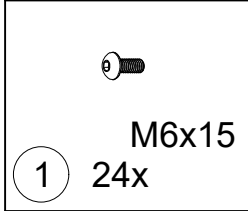
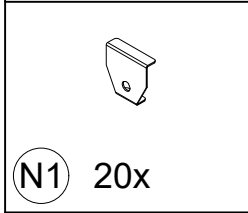
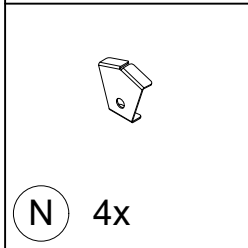
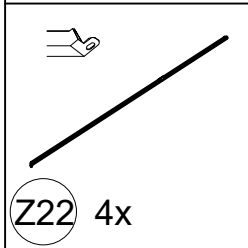
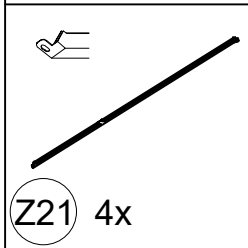
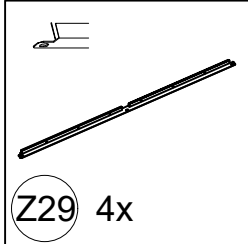
M6x15

25

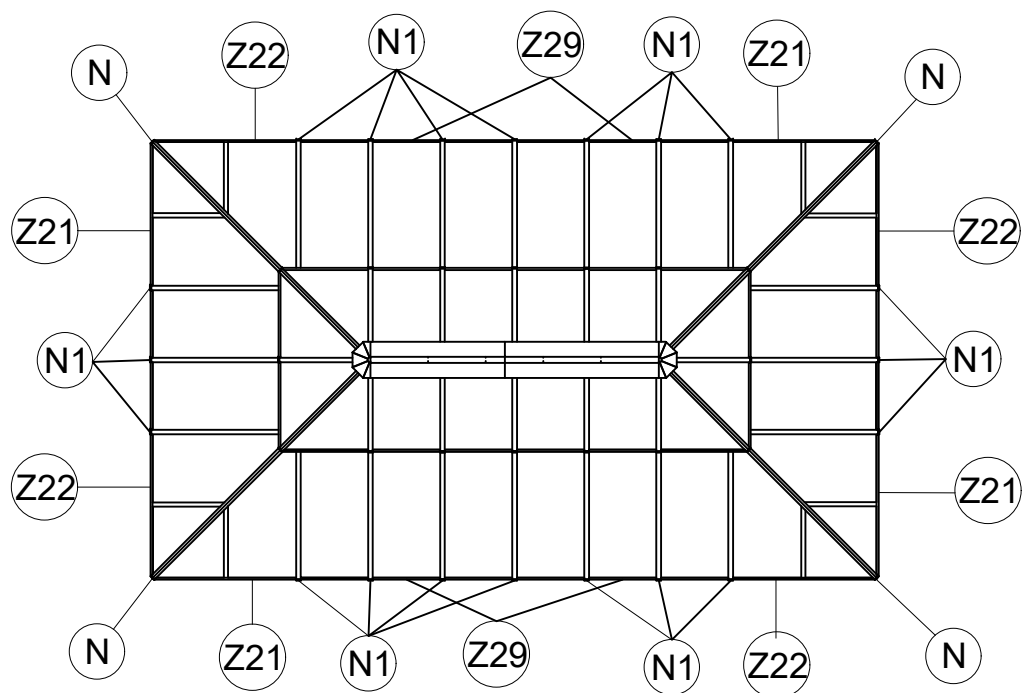
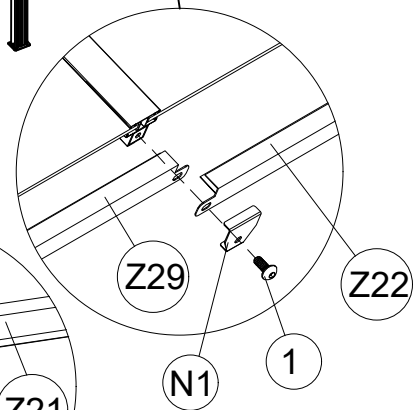
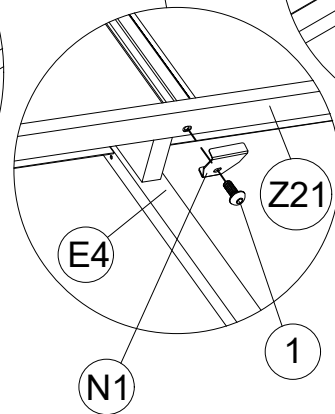
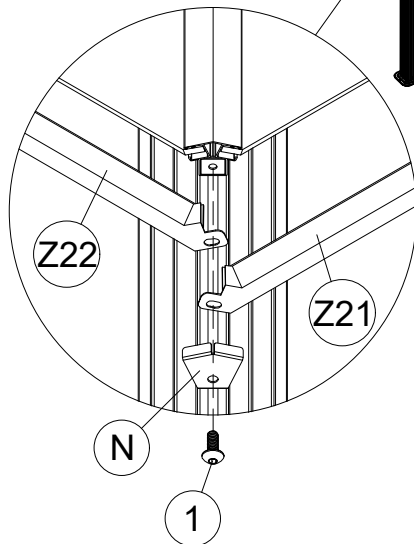
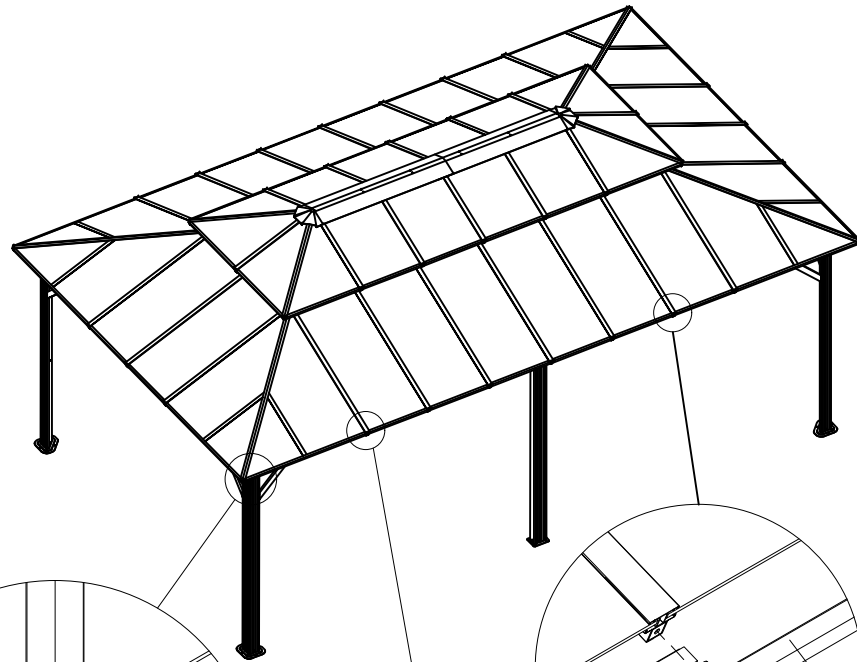
<20>

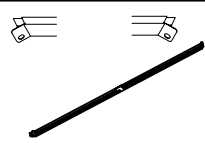
- 
Y10 4x
- 
Y11 4x
- 
B 8x
- 
B1 4x
- 
B2 4x
- 
B3 4x
- 
B4 4x
- 
B5 4x
- 
B6 4x
- 26**





<21>





Z26 2x



Z27 2x



Z28 2x



Z29 4x



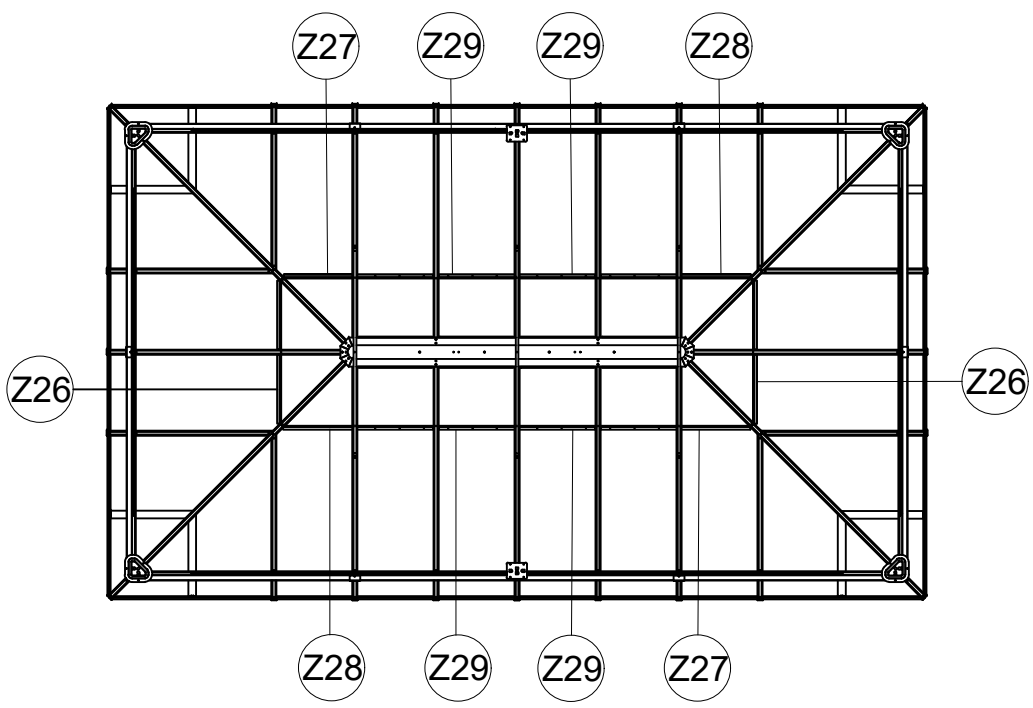
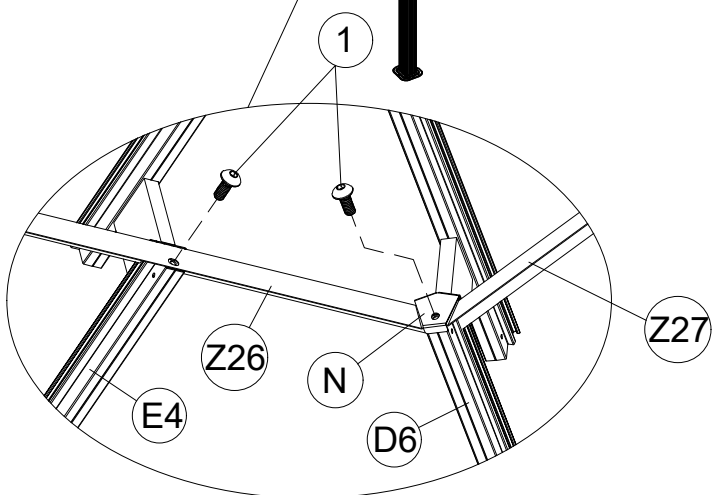
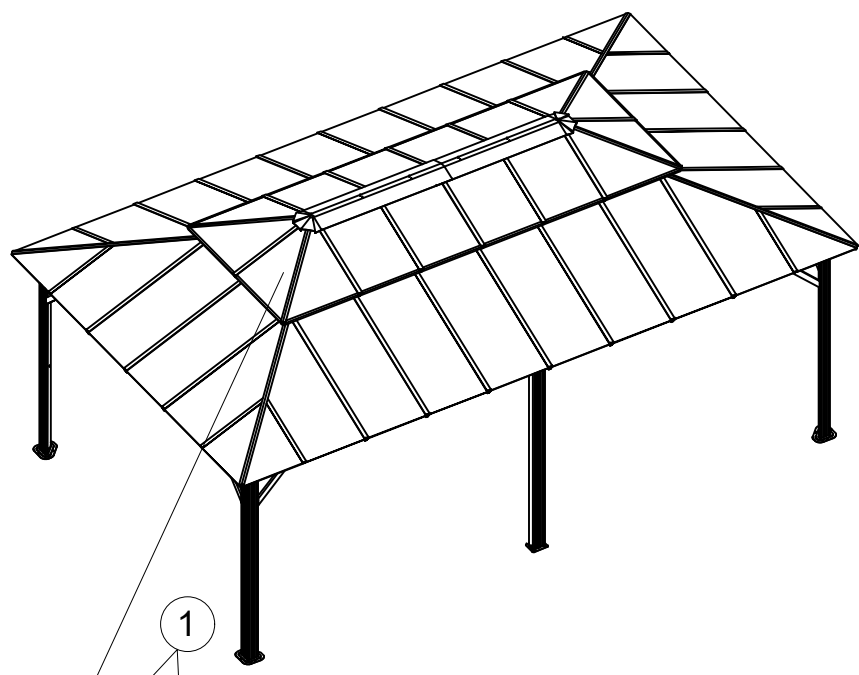
N 4x



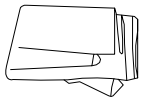
1 16x M6x15

28

<22>

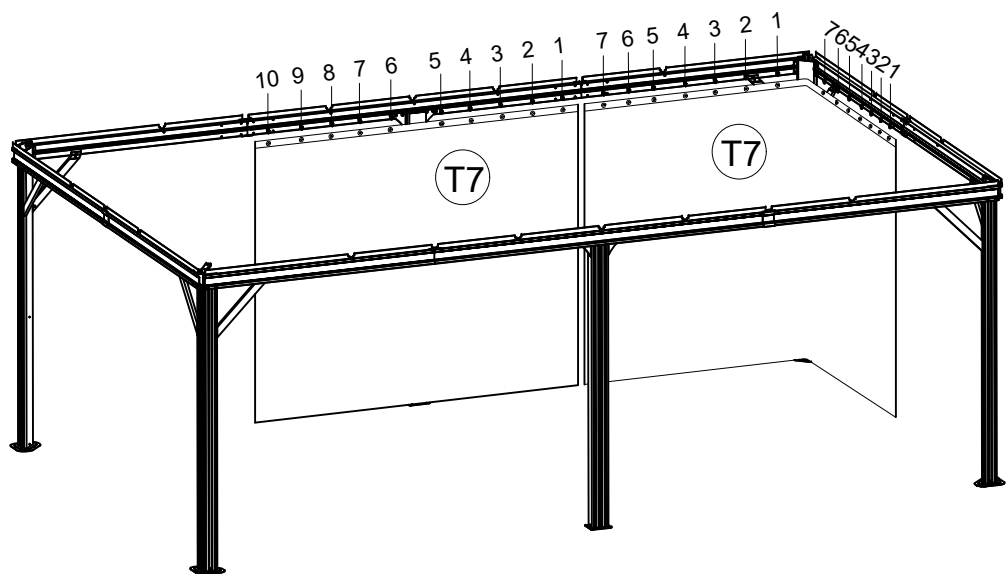
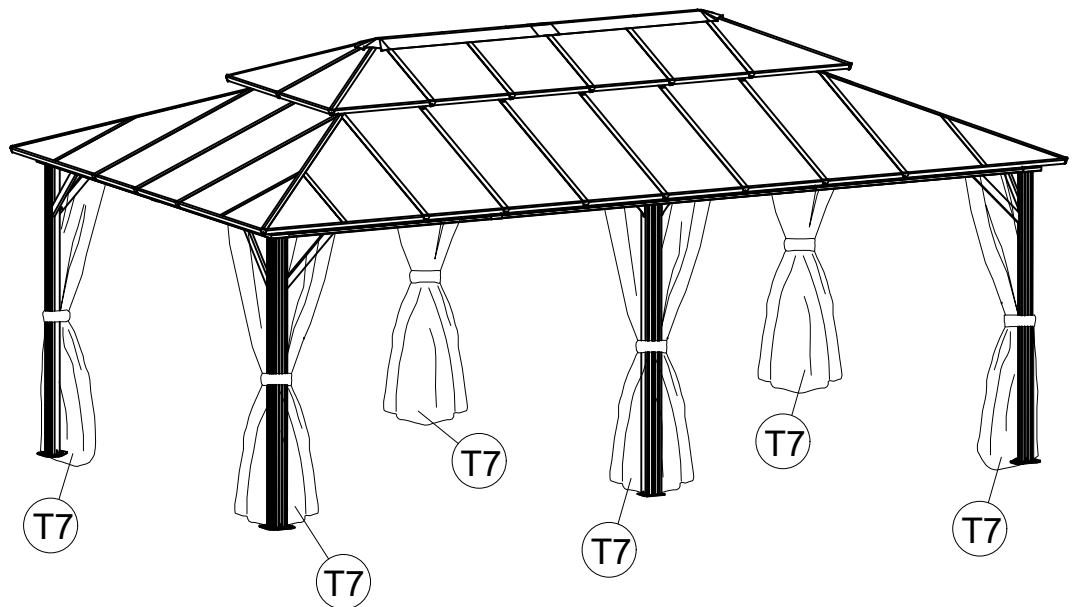
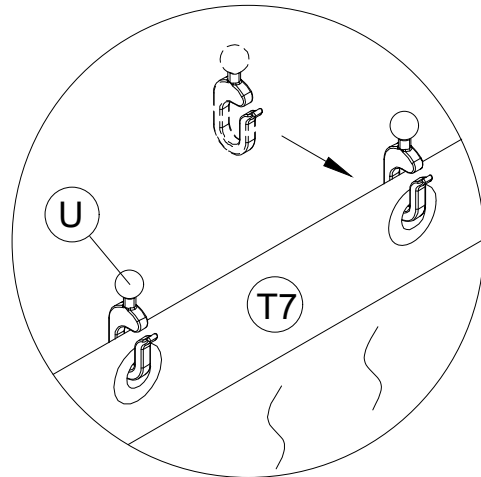
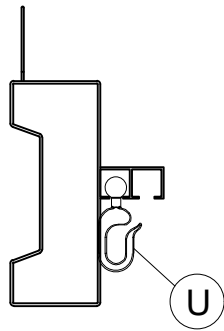


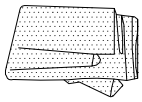
Upward view of the roof



<23>

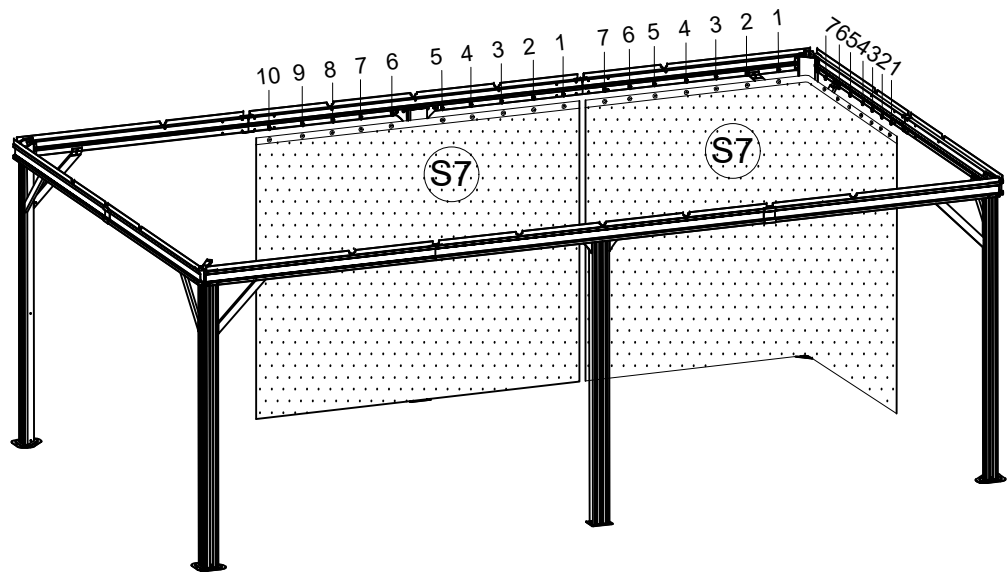
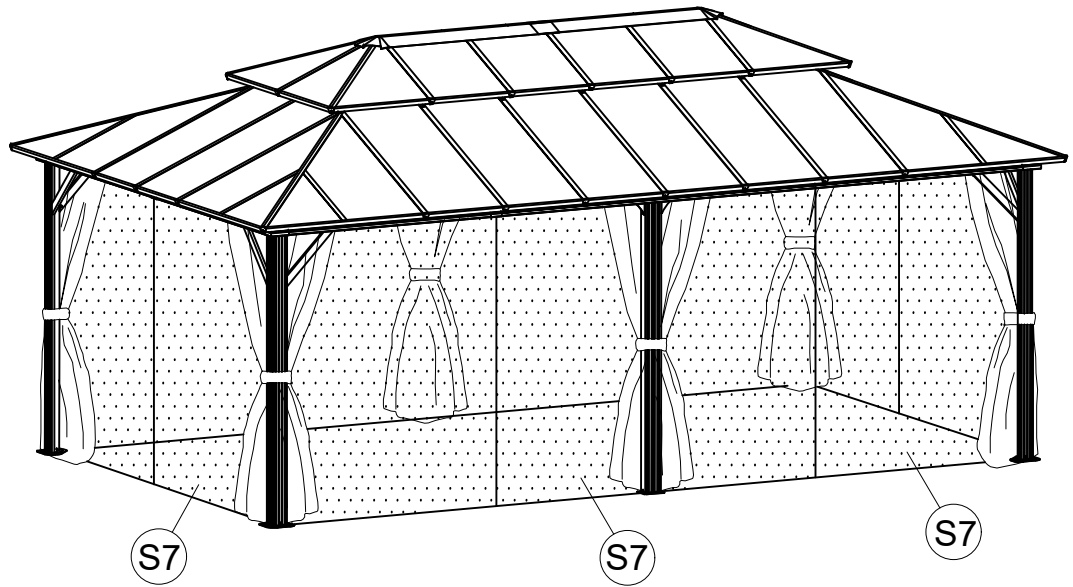
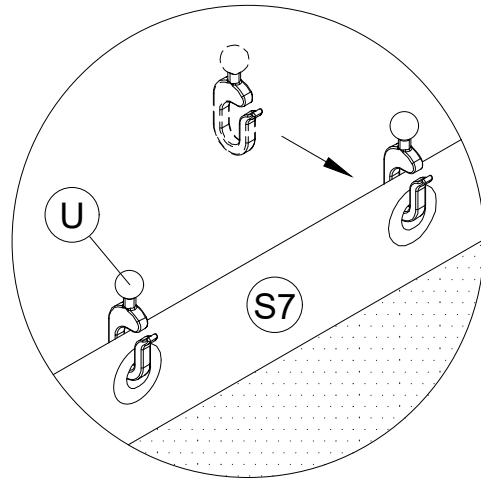
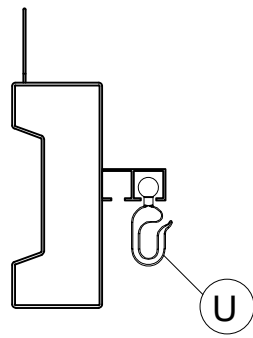
T7 4x+2x





<24>

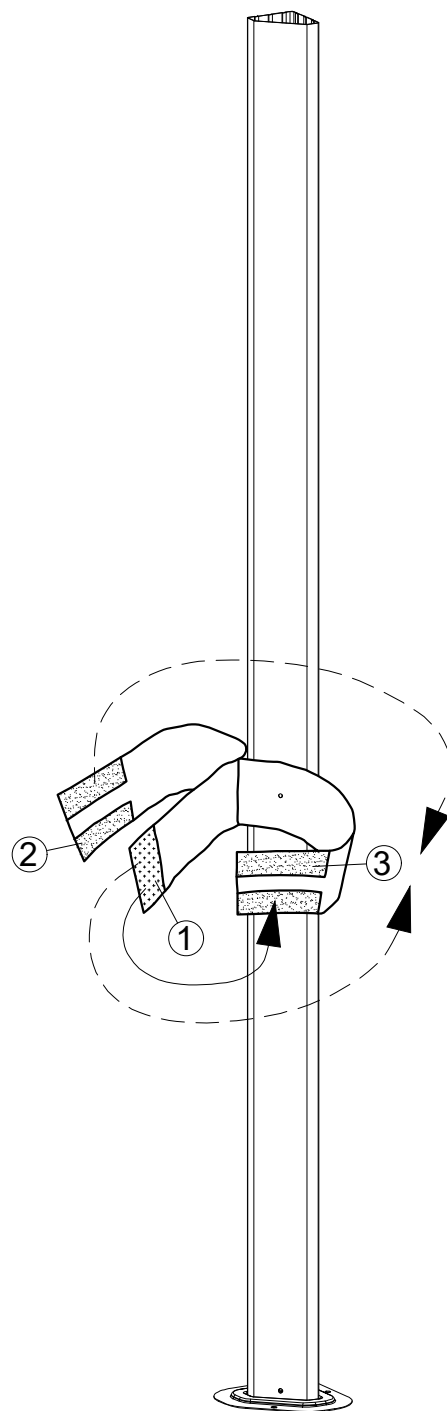
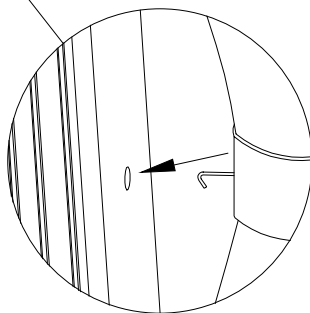
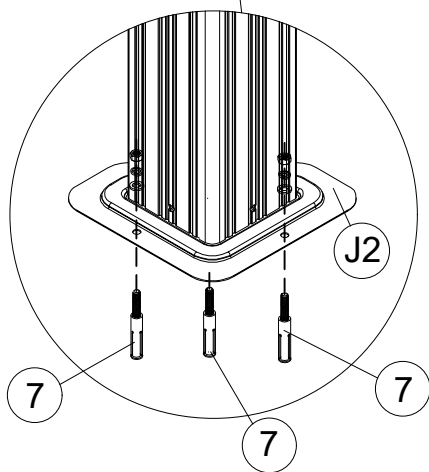
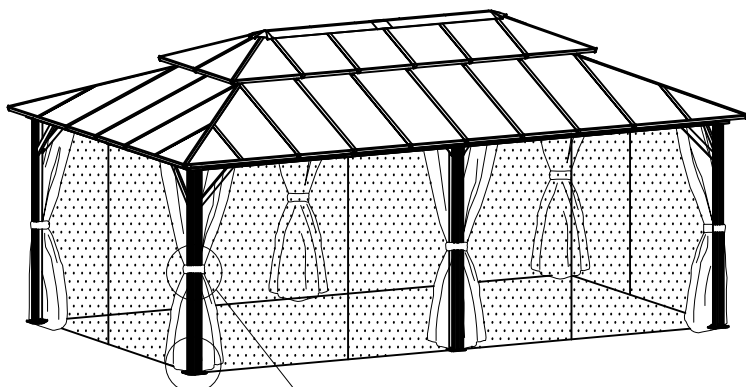
S7 4x+2x





<25>

7 12x



Note:

1. 1 stick 2 tie S7 and T7 together
2. 1 stick 3 towards back tie T7
3. 1 stick 3 towards front tie S7