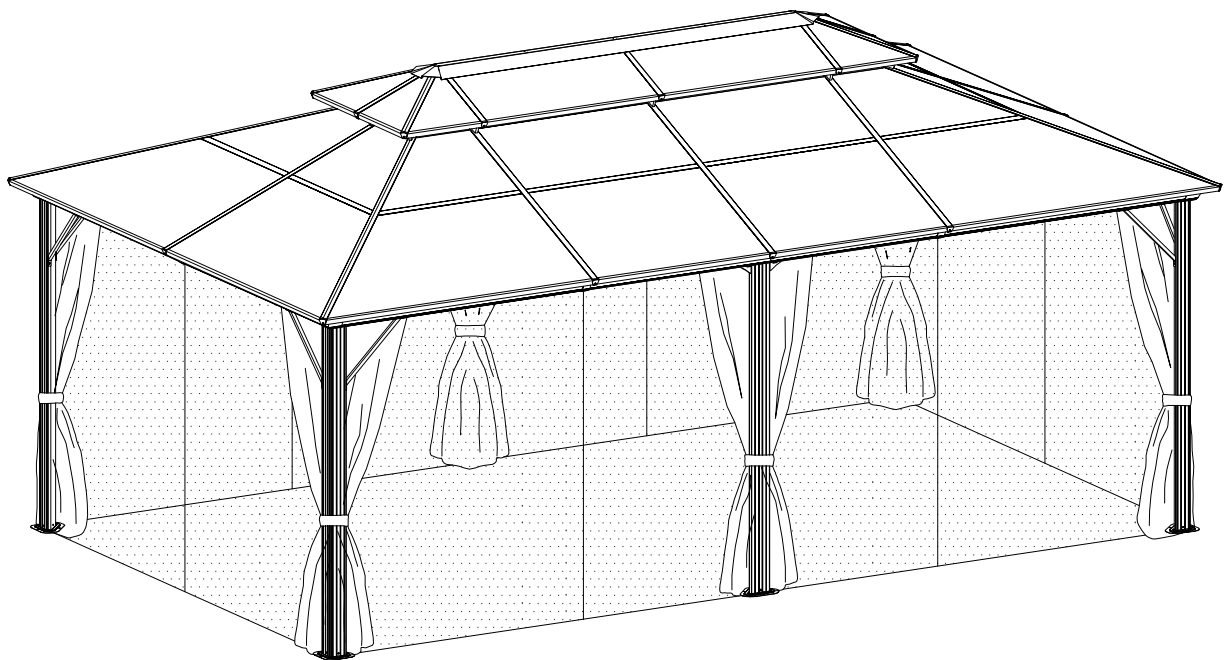


12 x 20 FT



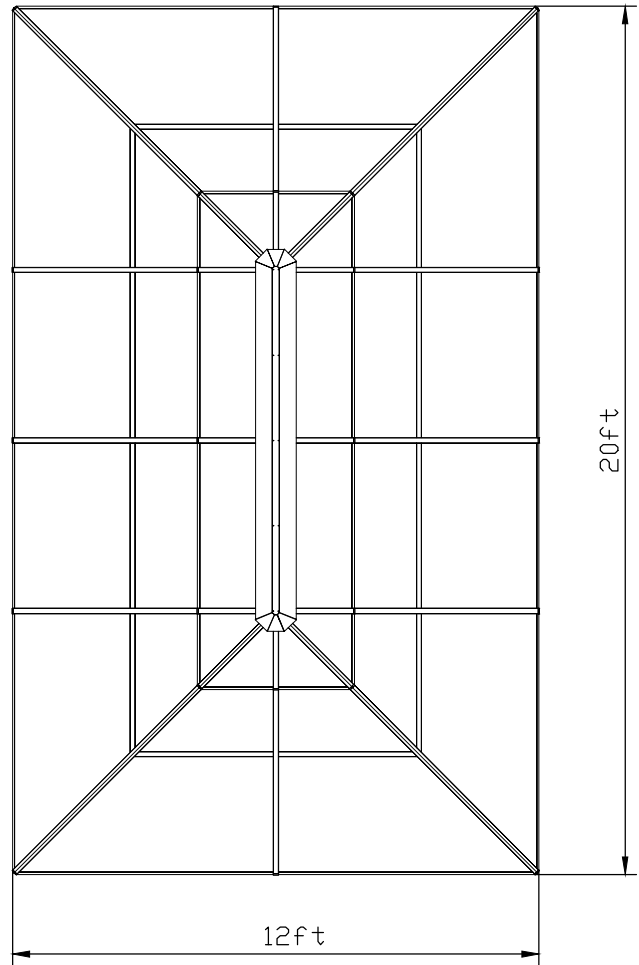
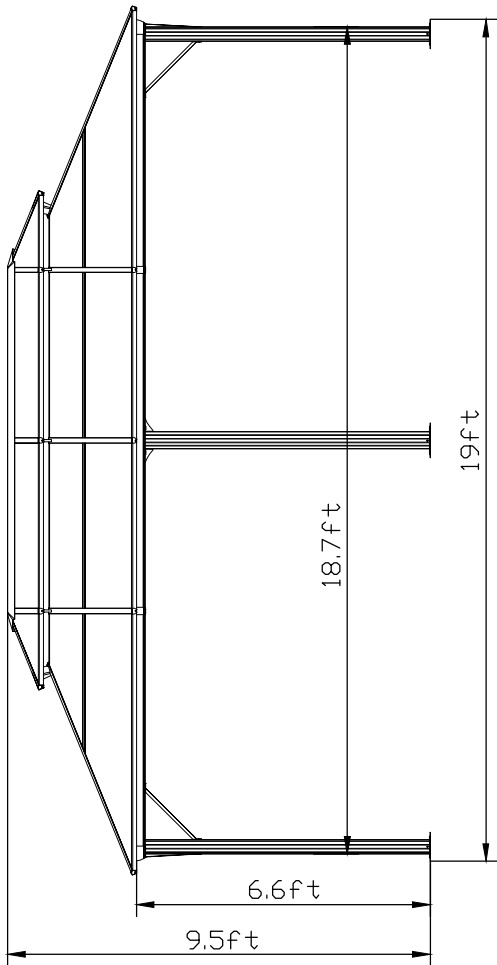
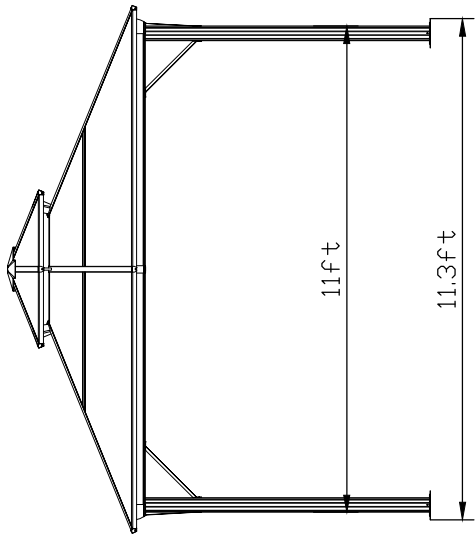
JFG010



At least need 5 people work together

REQUIRED TOOLS







(A6) 4X



(A2) 2X



(B2) 4x



(B3) 4x



(C4) 2x



(D1) 4x



(D2) 4x



(E1) 2x



(E2) 6x



(Y1) 4x



(Y2) 4x



(Y3) 4x



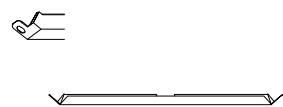
(Z1) 4x



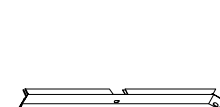
(Z2) 4x



(Z11) 4x



(Z3) 2x



(Z5) 2x



(Z7) 2x



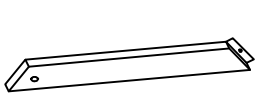
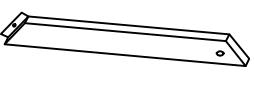
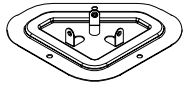
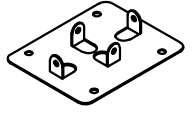
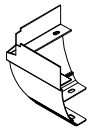



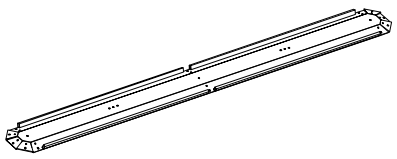
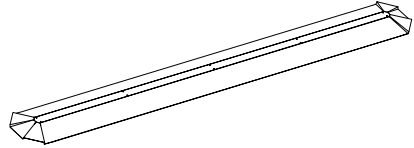
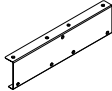

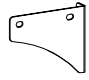
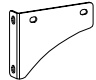
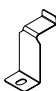
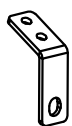

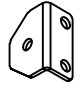
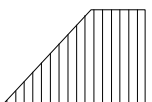
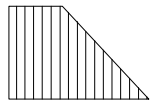
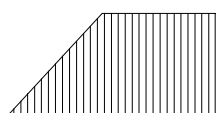
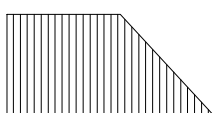
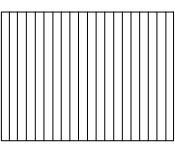
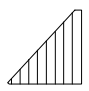
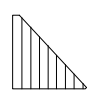
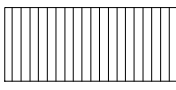
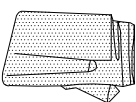


(Z8) 2x



(Z9) 2x



(Z10) 2x

			
(H) 4x	(H1) 4x	(J2) 4x	(J1) 2x
			
(K) 4x	(K1) 6x	(N) 12x	(N1) 18x
			
(L2) 1x		(M2) 1x	
			
(P) 6x	(R) 3x	(W1) 2x	(W2) 2x
			
(V) 6x	(X) 8x	(X1) 8x	(X2) 8x
			
(F1) 4x	(F2) 4x	(F3) 4x	(F4) 4x
			
(F6) 8x	(G1) 4x	(G2) 4x	(G5) 4x
			
(S2) 4x + 2x	(T2) 4x + 2x	(U) 152x	



M6x15

1 207x



2 16x



M5x12

3 6x

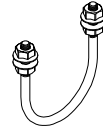


ST4.8x12

4 20x



5 3x



6 2x

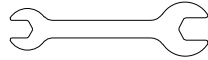


8 18x



M5x15

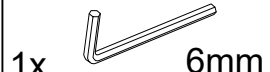
9 48x



1x

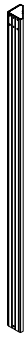


1x 4mm

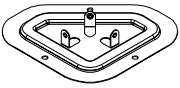


1x 6mm

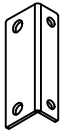
<1>



A6 4x



J2 4x



X1 8x



X2 8x



M6x15

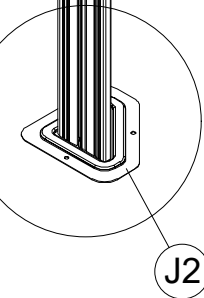
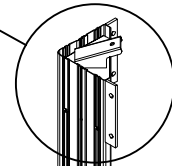
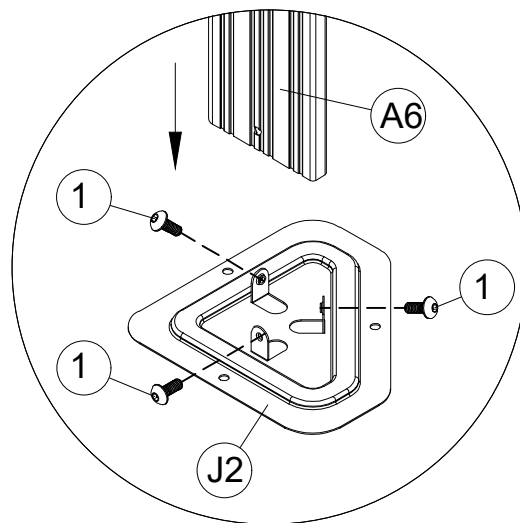
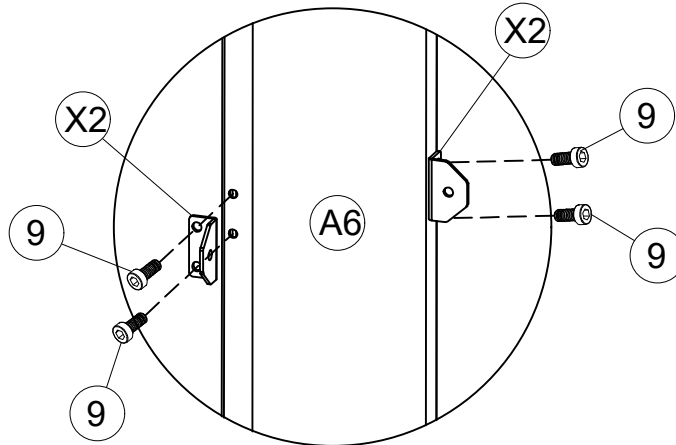
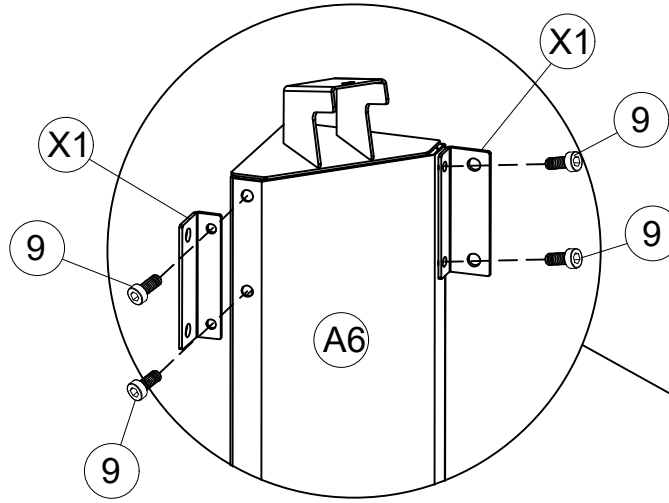
1 12x



M5x15

9 32x

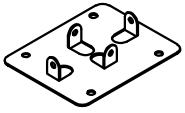
7



<2>



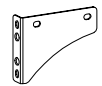
A2 2x



J1 2x



W1 2x

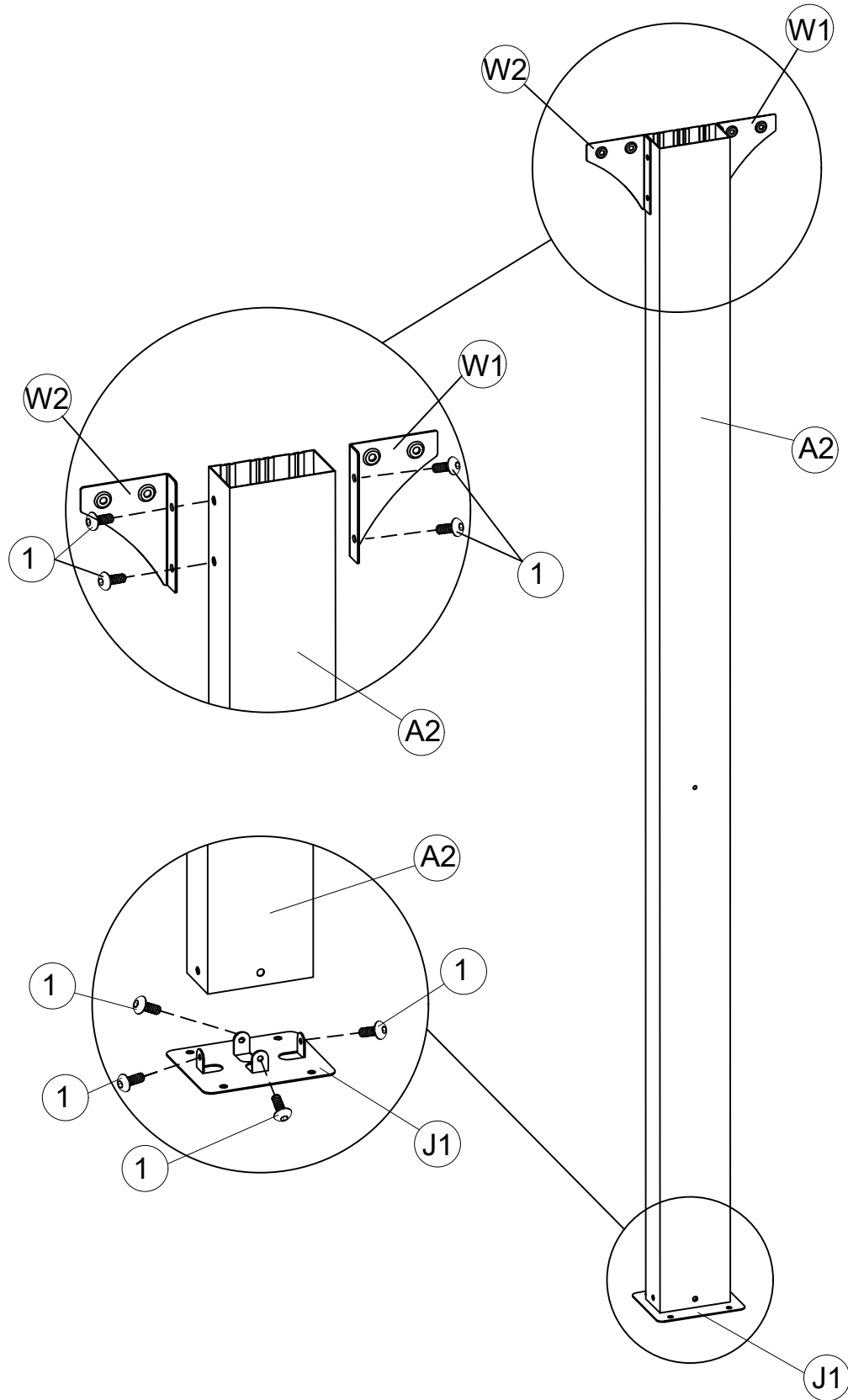


W2 2x



M6x15

1 16x



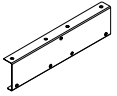
8



B2 2x



B3 2x



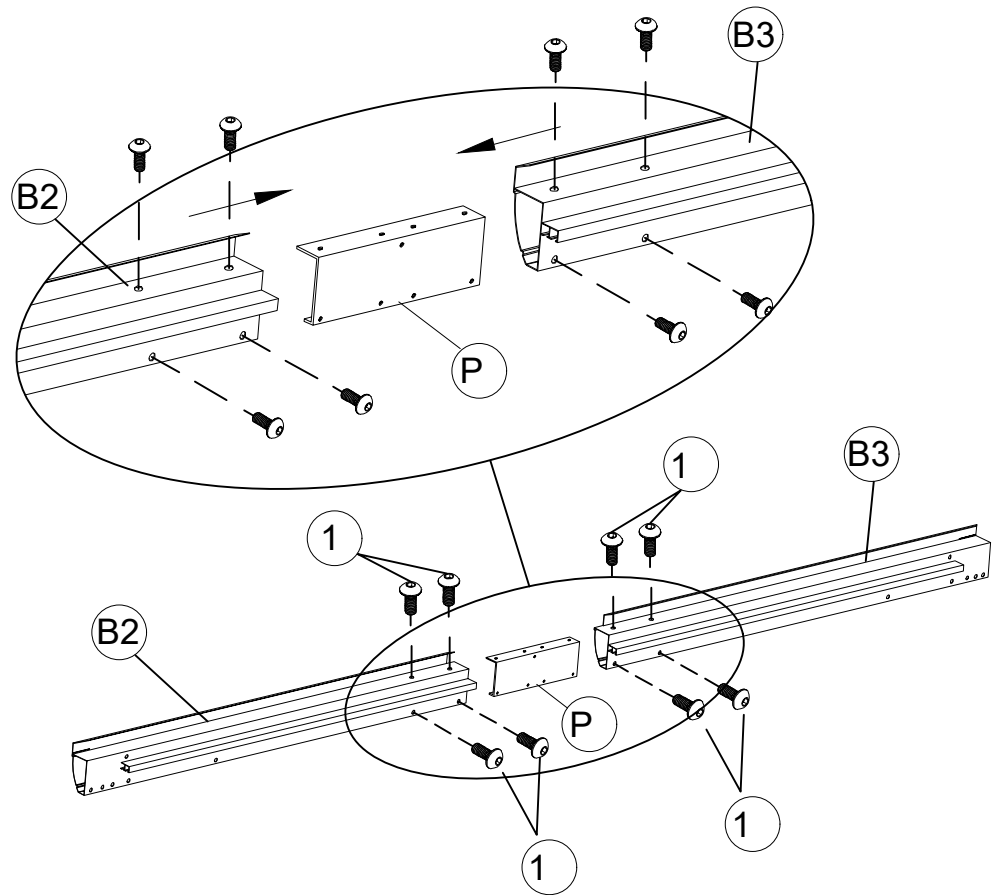
P 2x



M6x15

1 16x

<3>



<4>



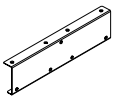
B2 2x



B3 2x



C4 2x

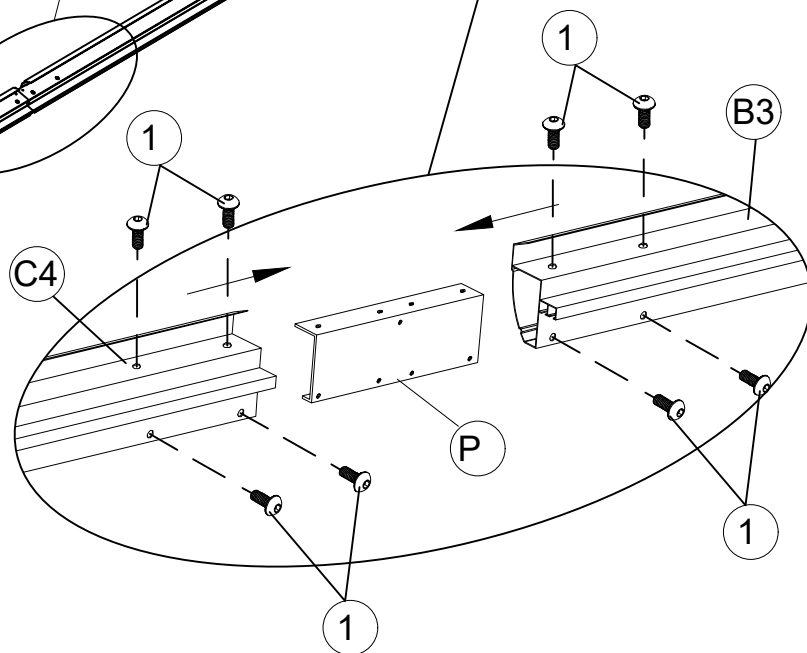
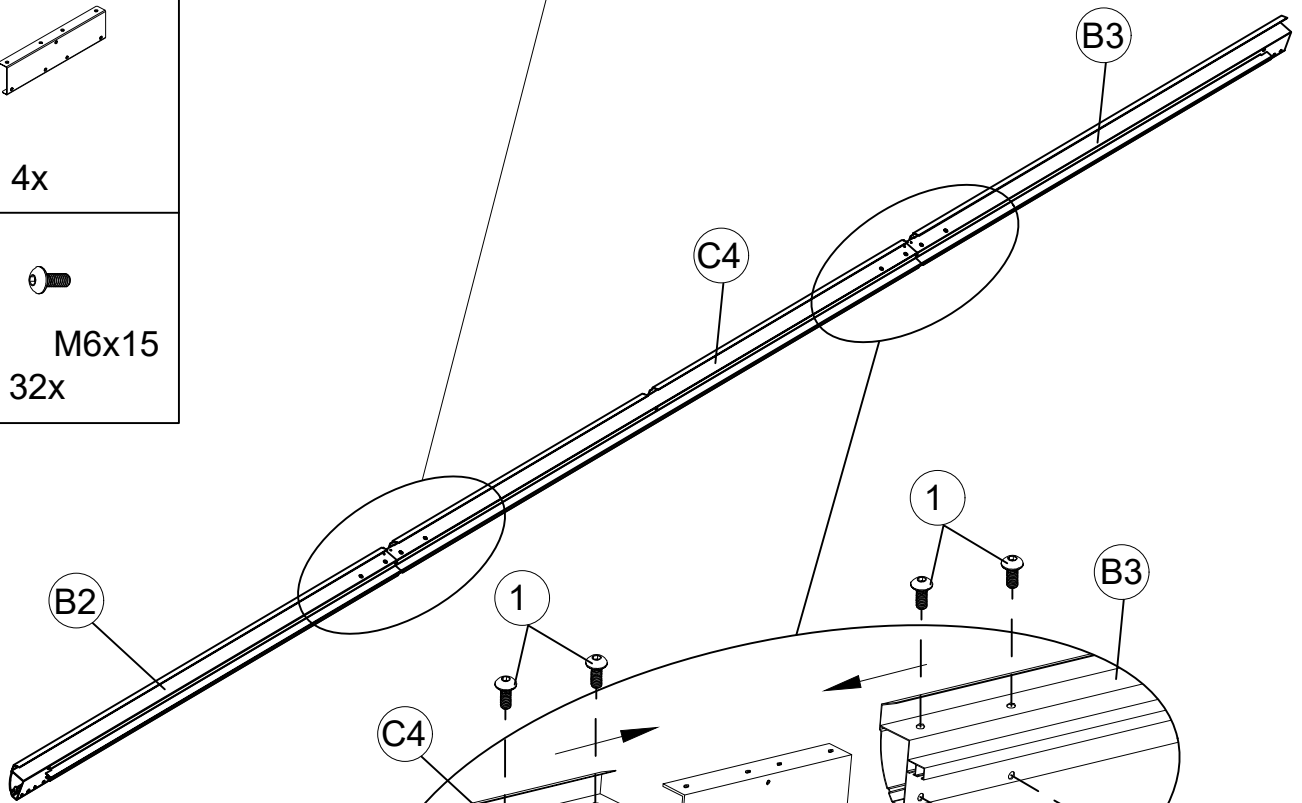
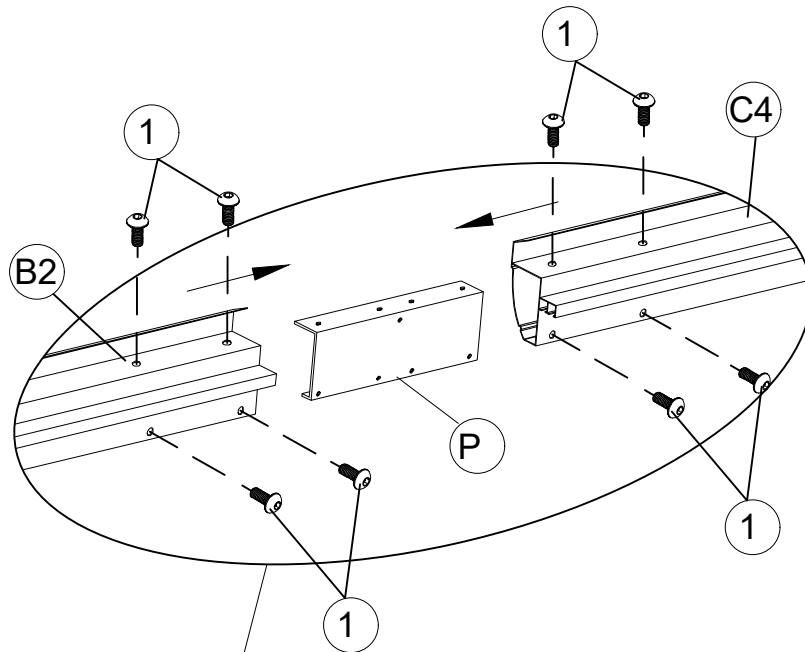


P 4x



M6x15

1 32x



10



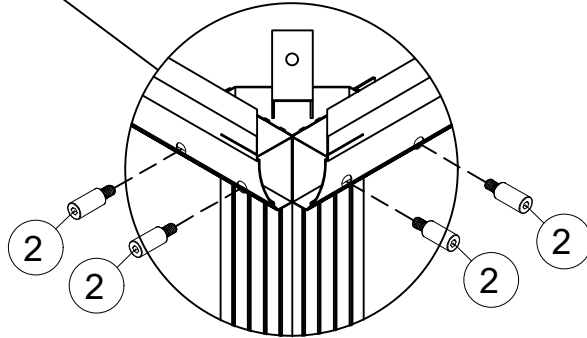
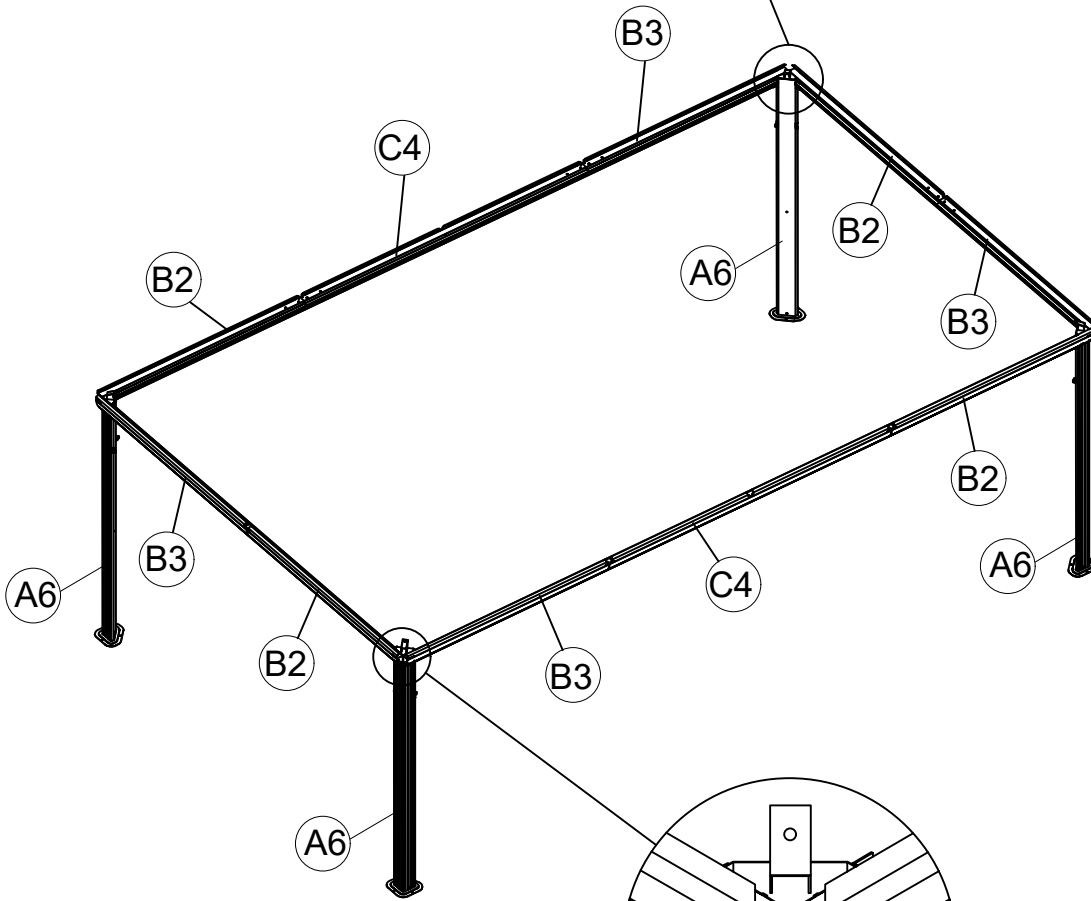
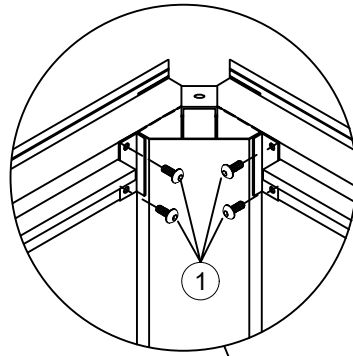
<5>

M6x15

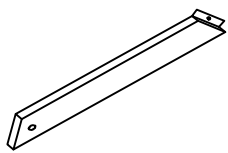
1 16x



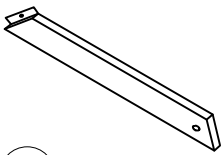
2 16x



11



H 4x



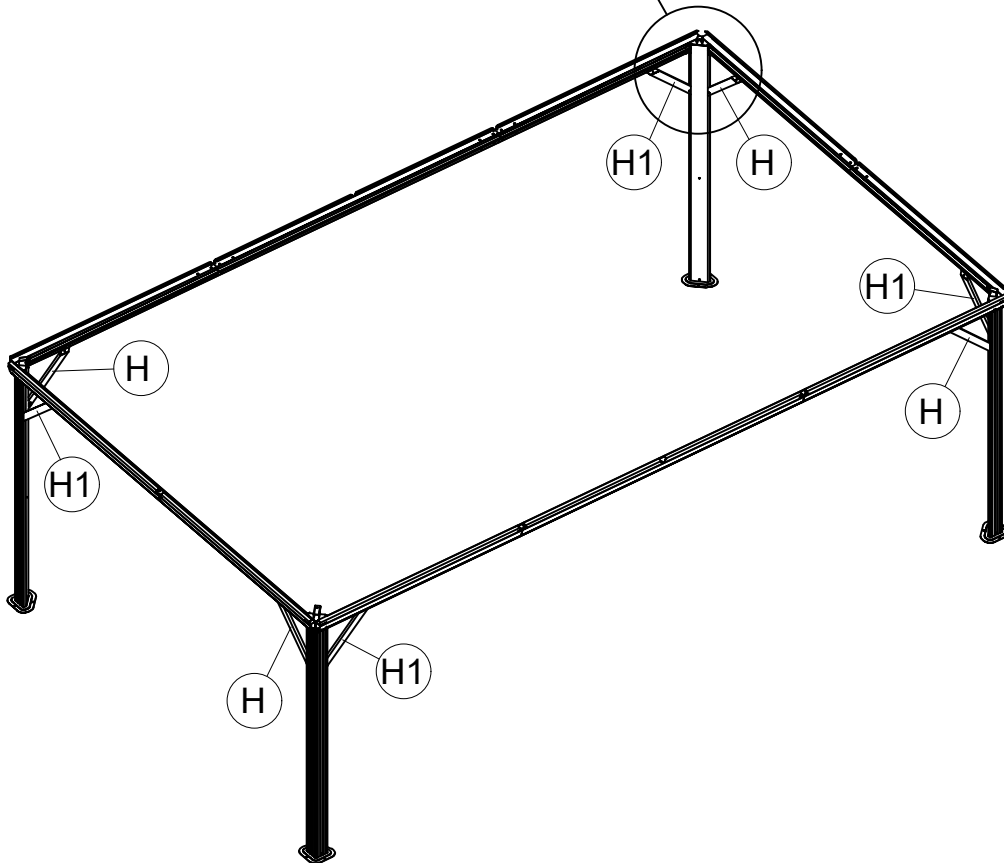
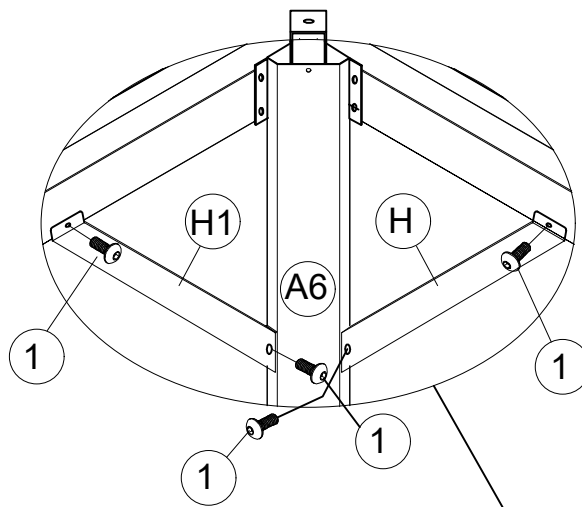
H1 4x



M6x15

1 16x

<6>



12

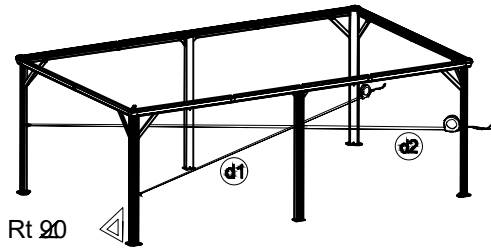


<7>

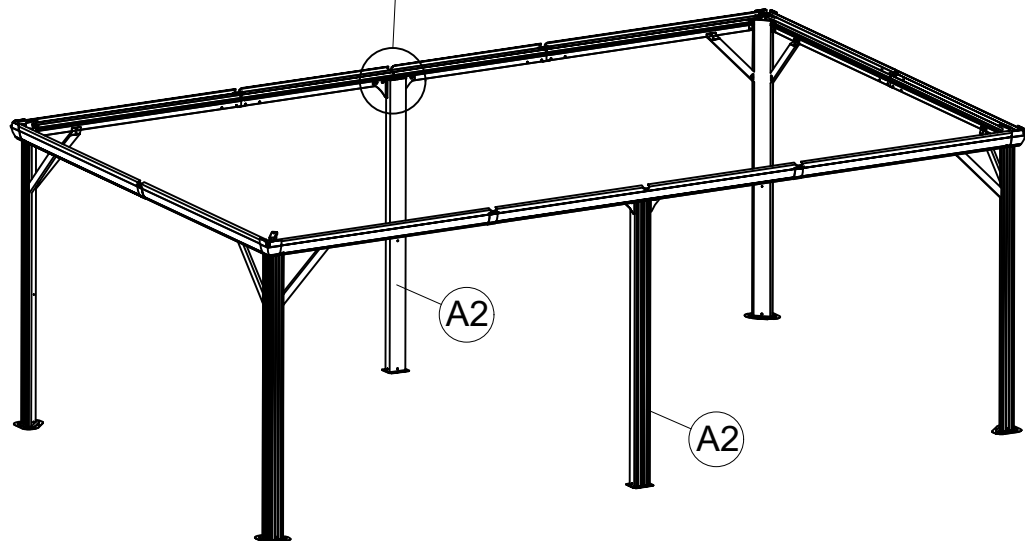
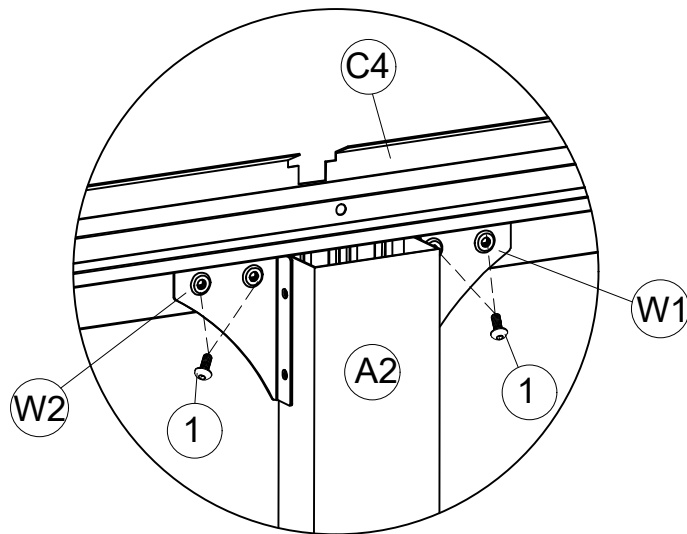
M6x15

1 8x

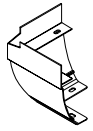
① d1=d2



Tips: Please measure to make sure the length of d1 is equal to d2 before moving to next step to ensure a square frame and best results. Keep the beam at right angles to the post, the post at right angles to the ground, and keep the beam horizontal.



13



(K) 4x

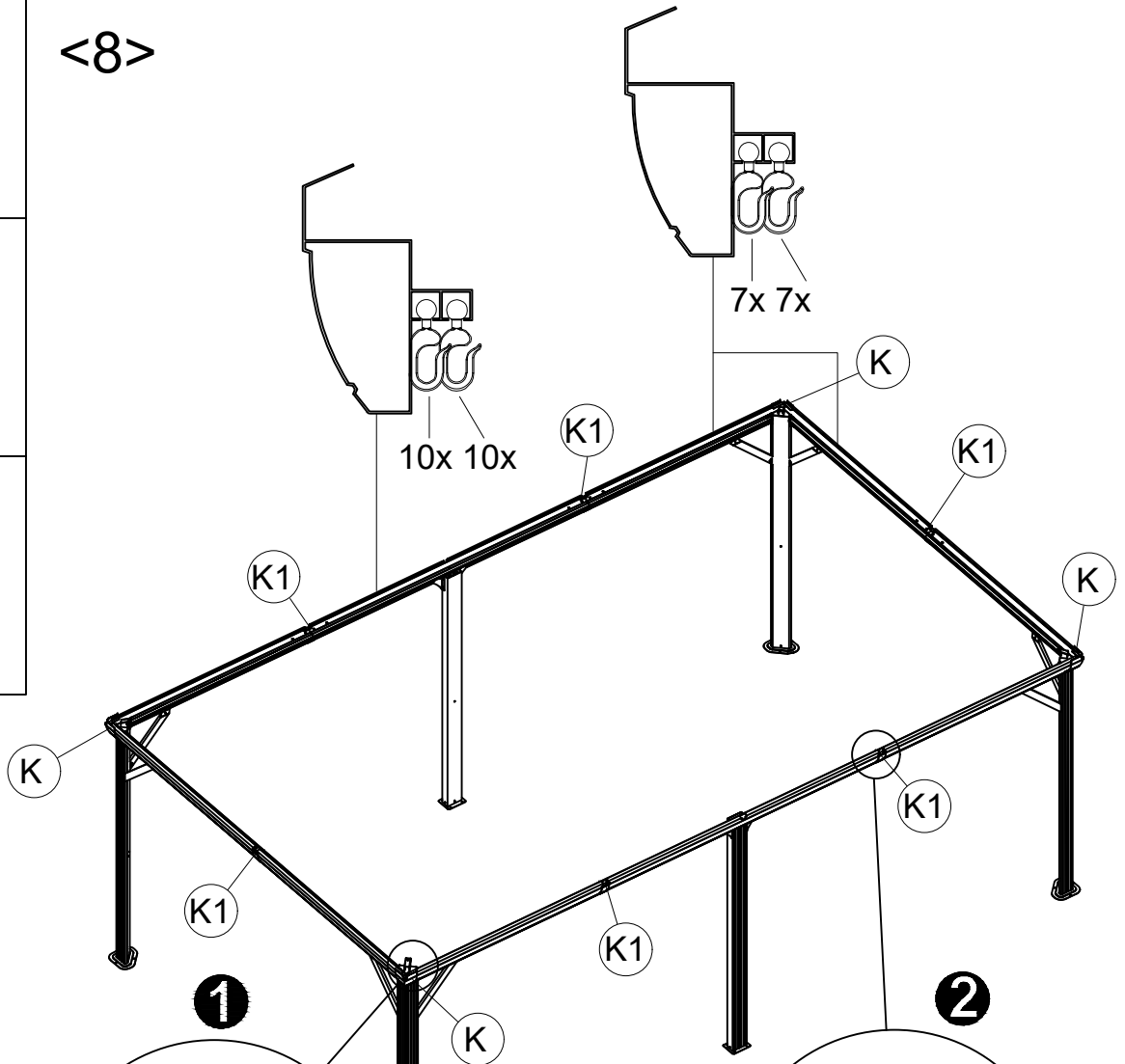


(K1) 6x



(U) 152x

<8>



(V) 6x

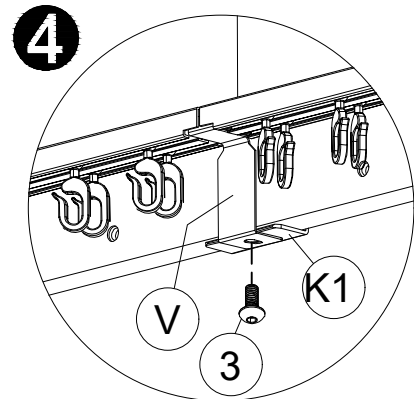
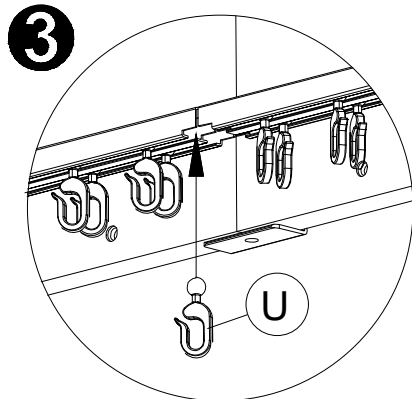
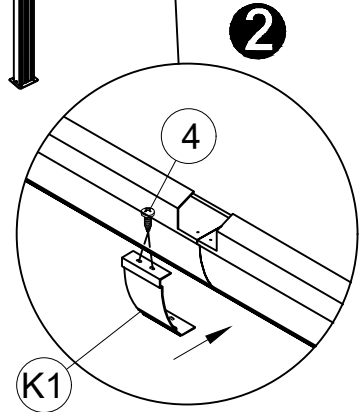
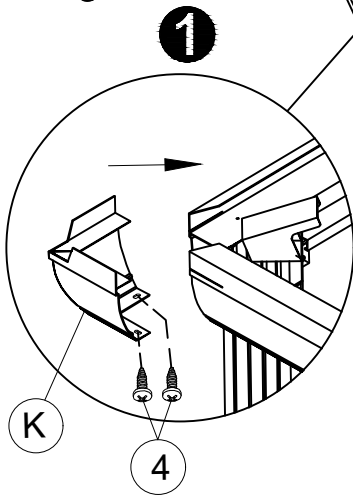


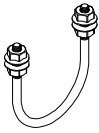
(3) 6x M5x12



(4) 20x ST4.8x12

14



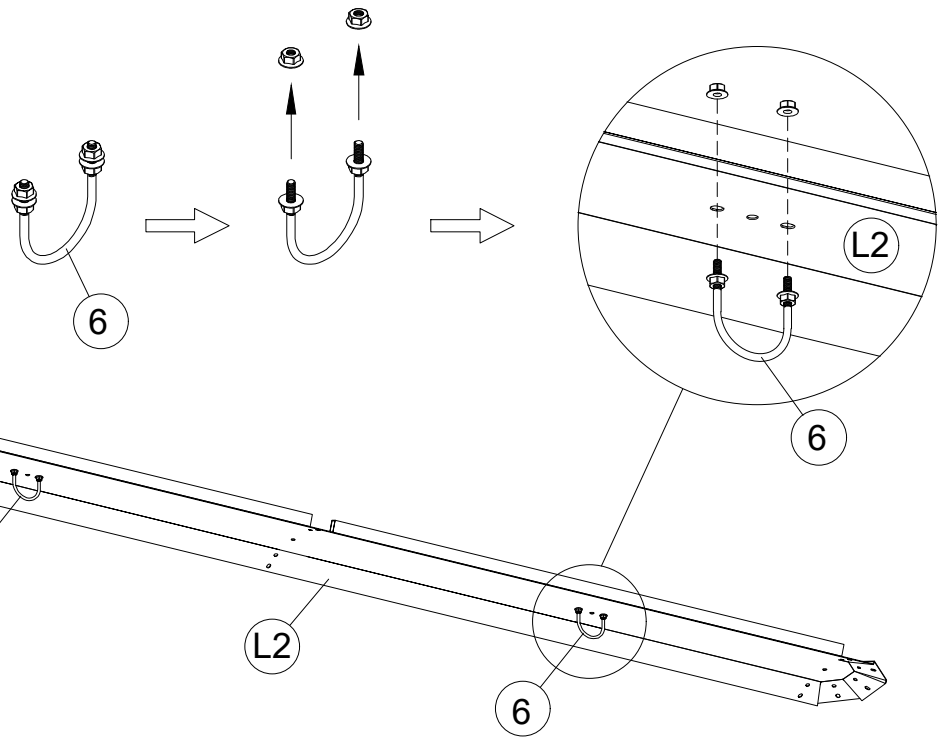


<9>

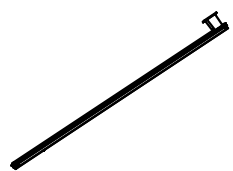
6 2x



L2 1x



<10>



D1 4x

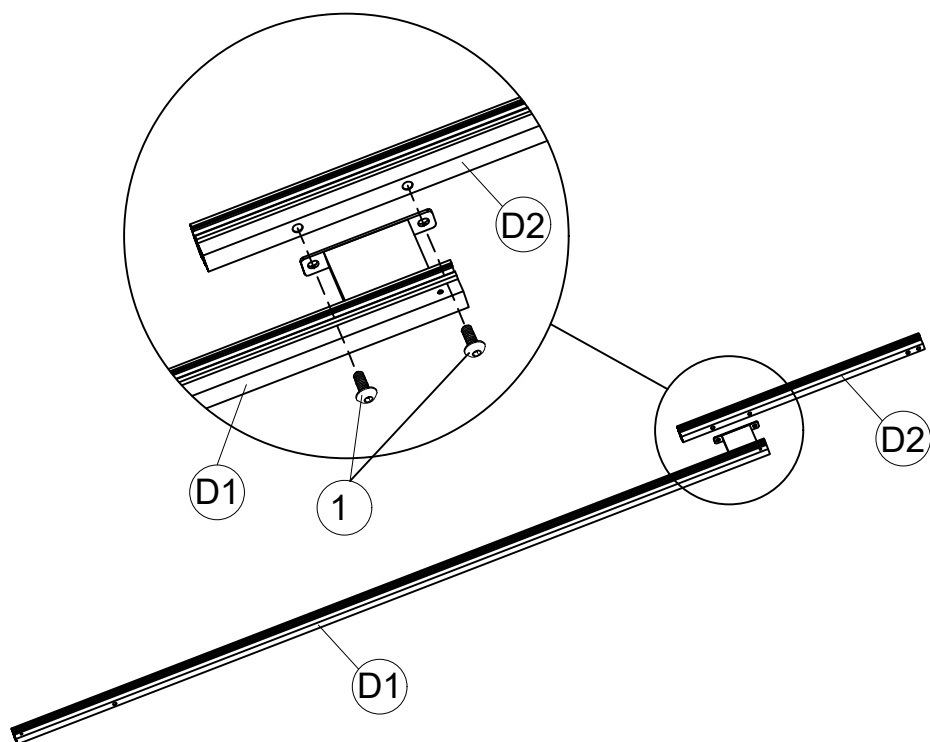


D2 4x

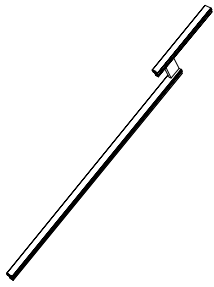


M6x15

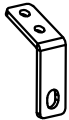
1 8x



<11>



E1 2x

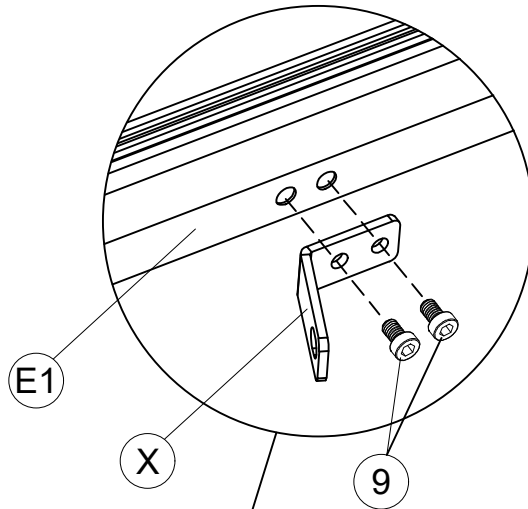


X 2x



M5x15

9 4x

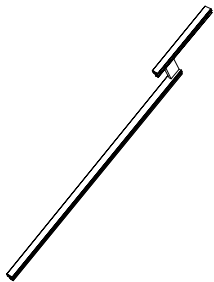


X

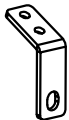
9

X

X



E2 6x

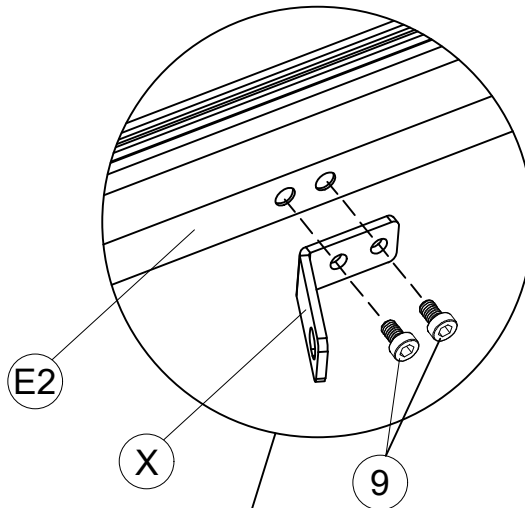


X 6x



M5x15

9 12x



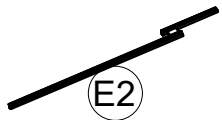
X

9

X

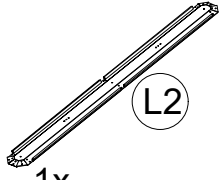
X

17



(E2)

6x



(L2)

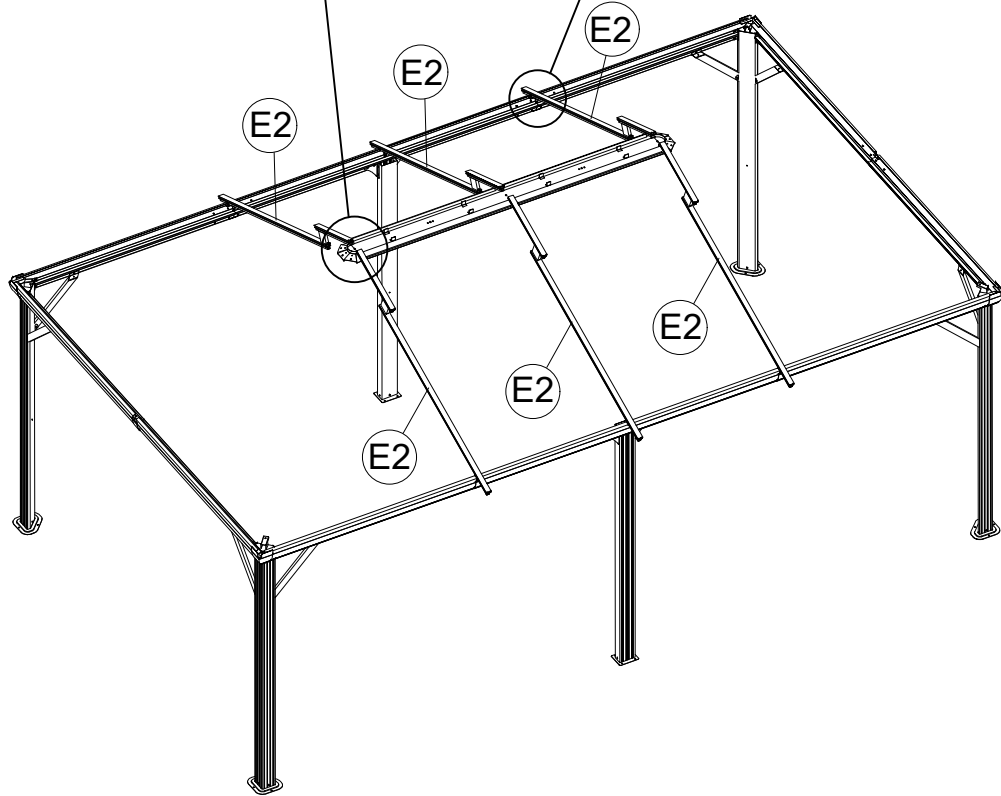
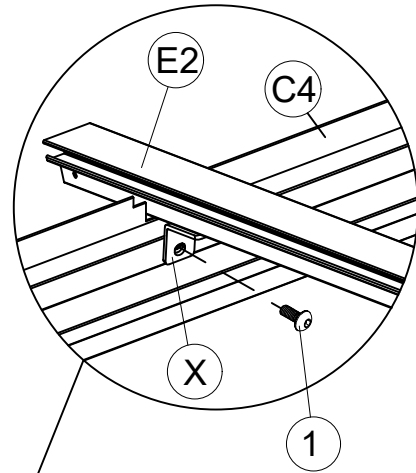
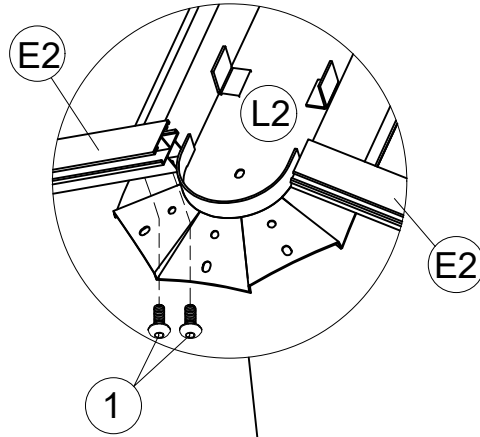
1x



M6x15

(1) 18x

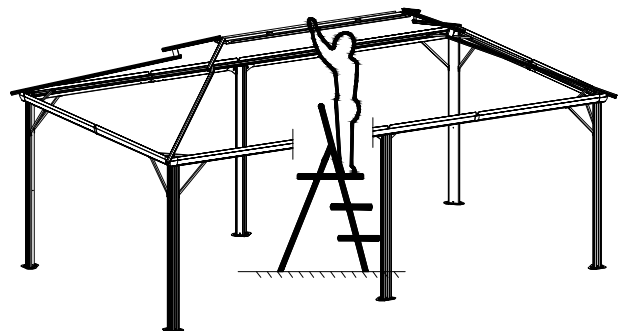
<12>



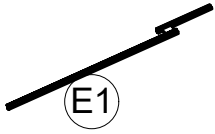
Note:

1. Let one person stand on the ladder to lift "L2" and hold and let others fasten the screws connecting both ends of "E1" & "E2" & "D1".

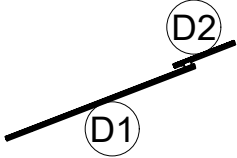
2. Please do not let go of holding "L2" until all the "E1" & "E2" & "D1" screws are installed.



<13>



2x

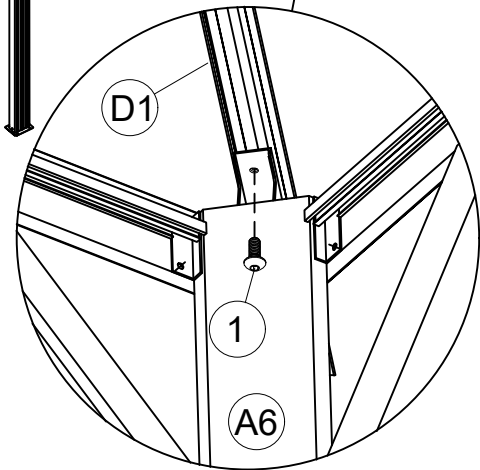
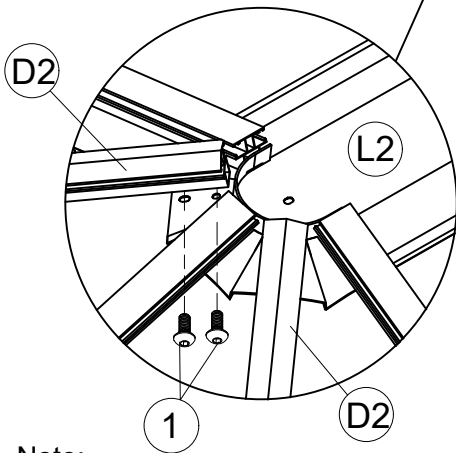
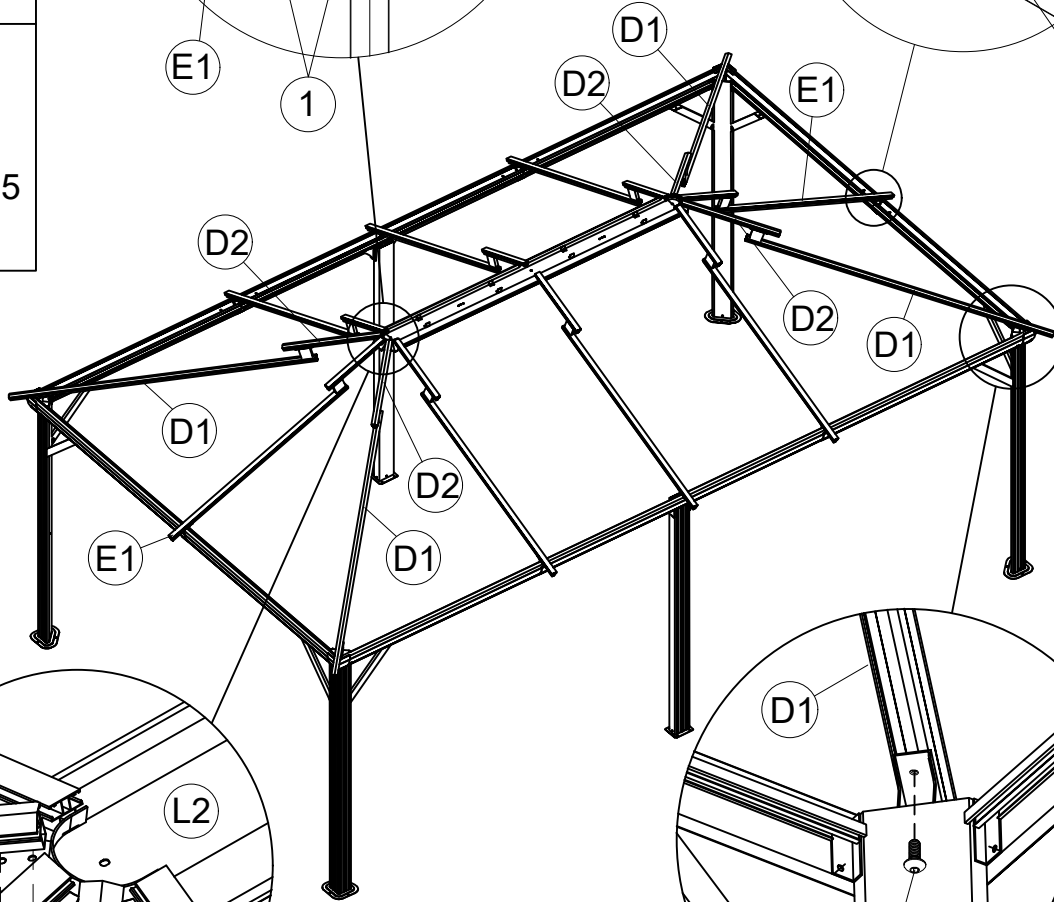
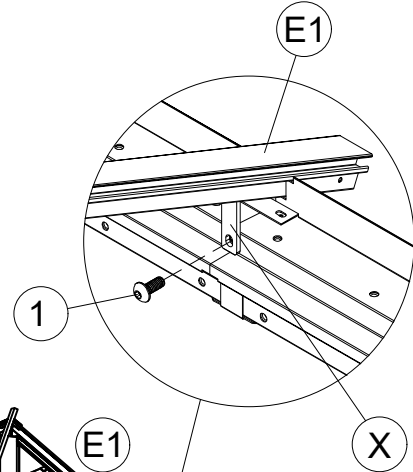
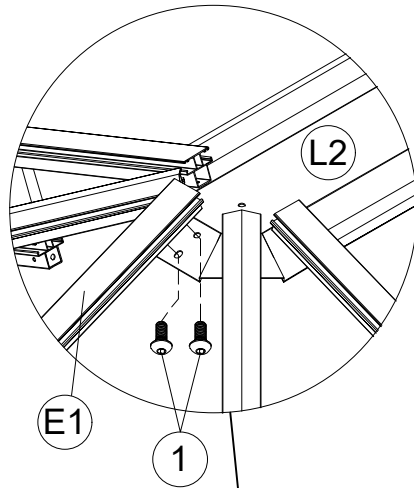


4x



M6x15

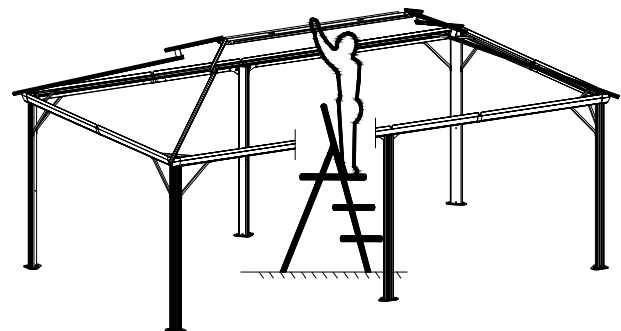
1 18x



Note:

1. Let one person stand on the ladder to lift "L2" and hold and let others fasten the screws connecting both ends of "E1" & "E2" & "D1".

2. Please do not let go of holding "L2" until all the "E1" & "E2" & "D1" screws are installed.





<14>

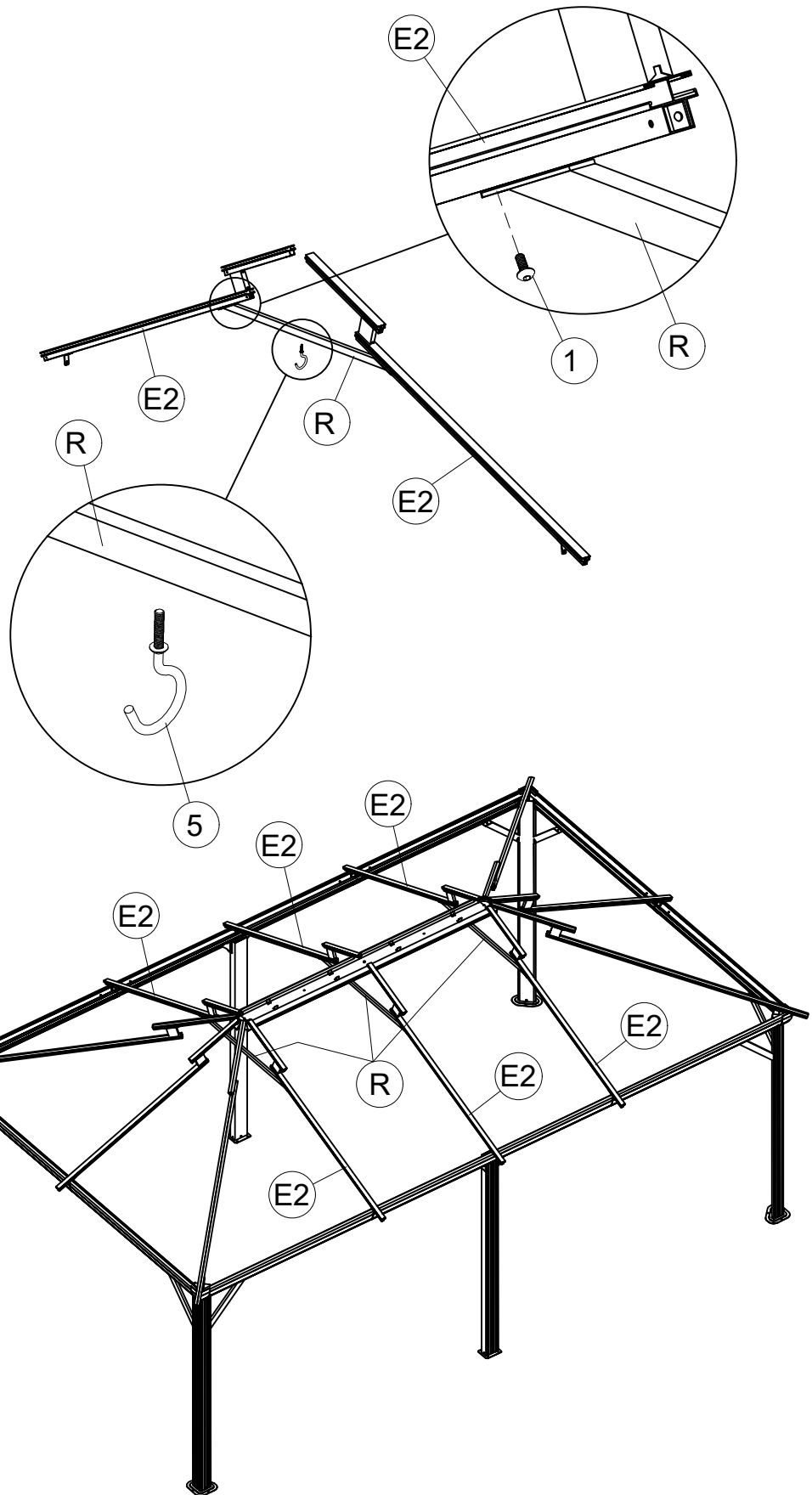
(R) 3x

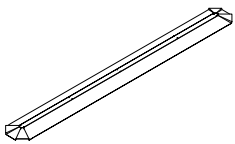


(5) 3x



(1) 6x M6x15





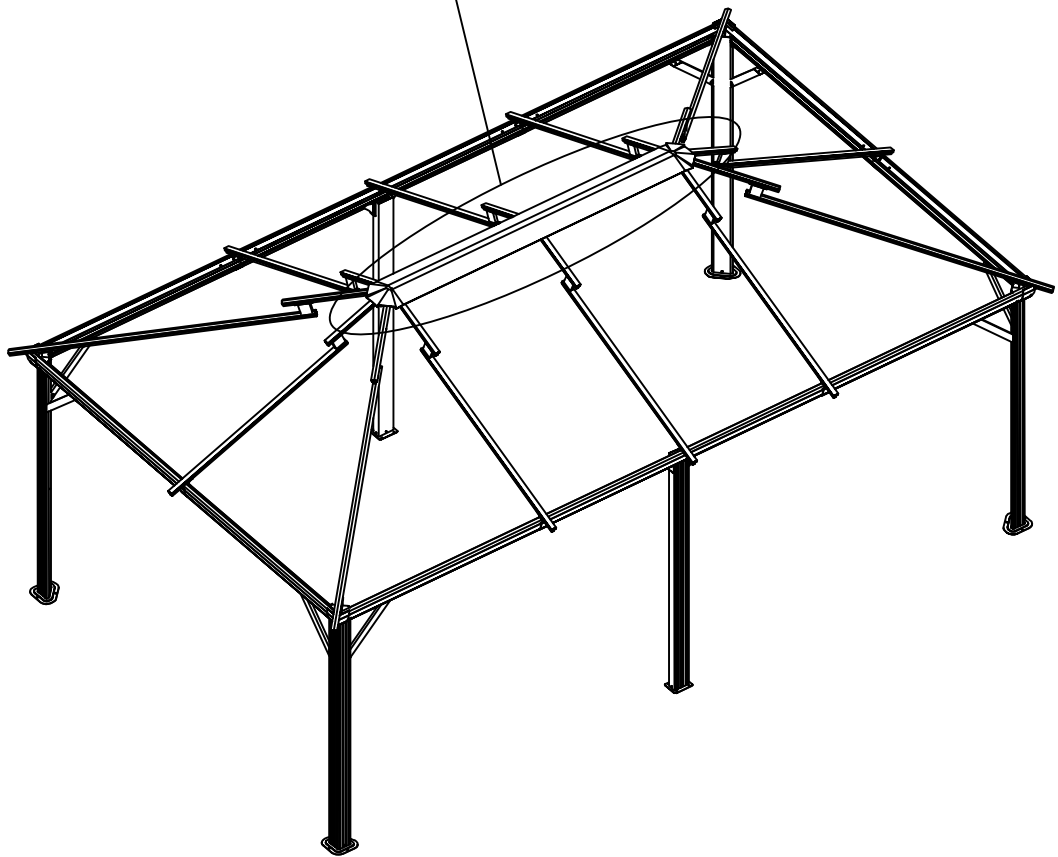
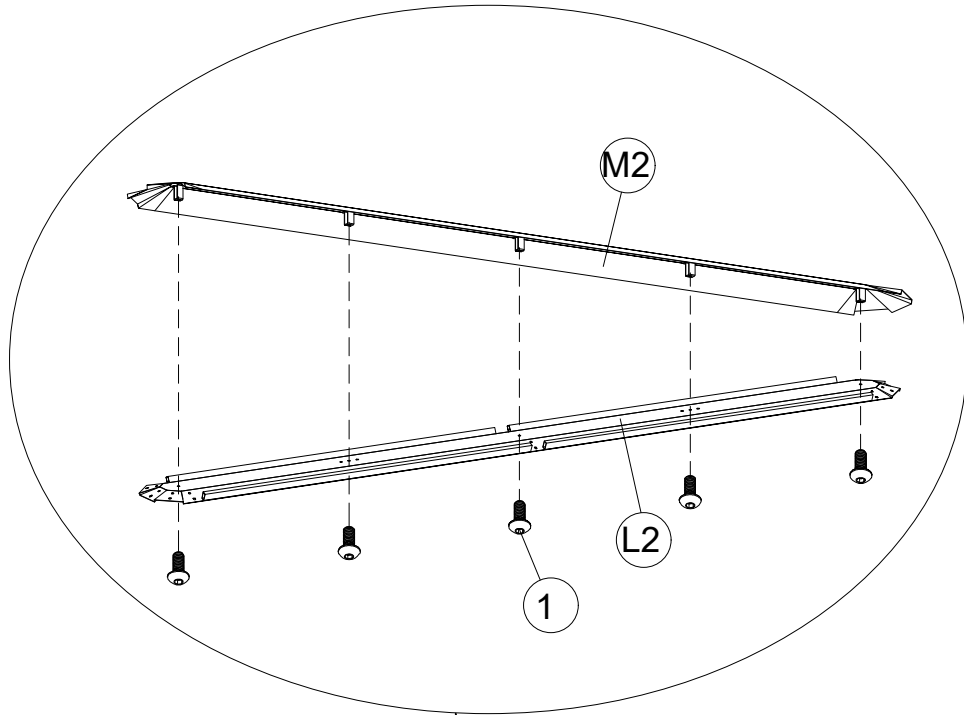
<15>

M2 1x

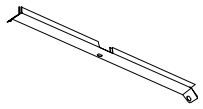


M6x15

1 5x



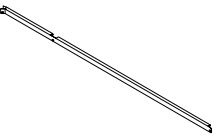
<16>



Z5 2x



Z9 2x



Z10 2x



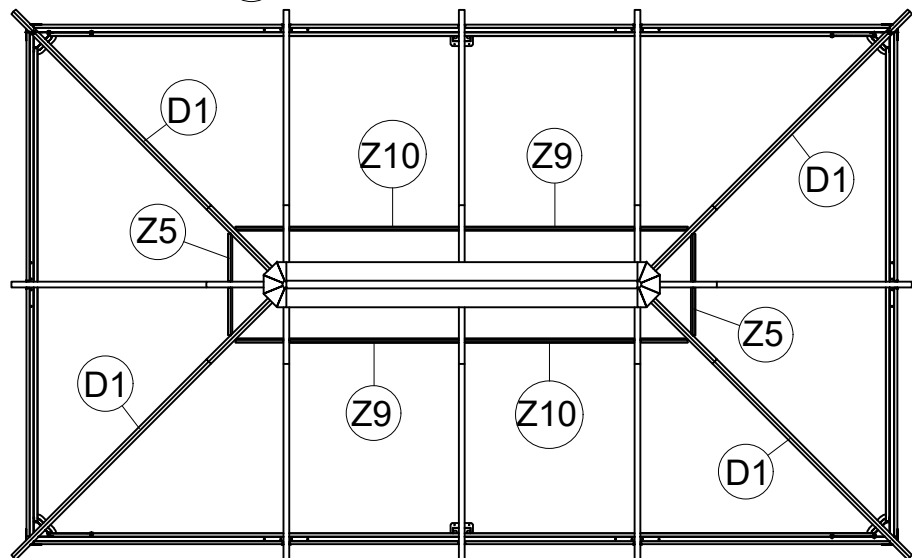
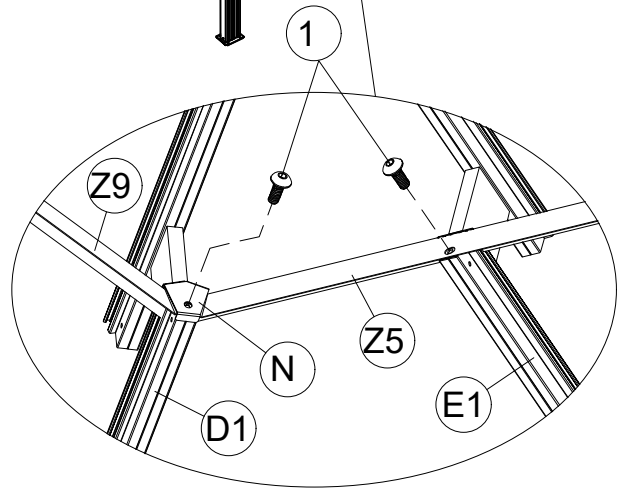
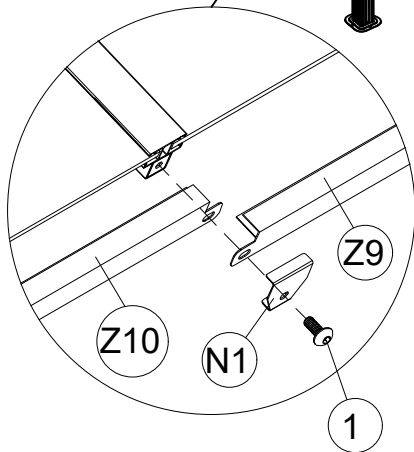
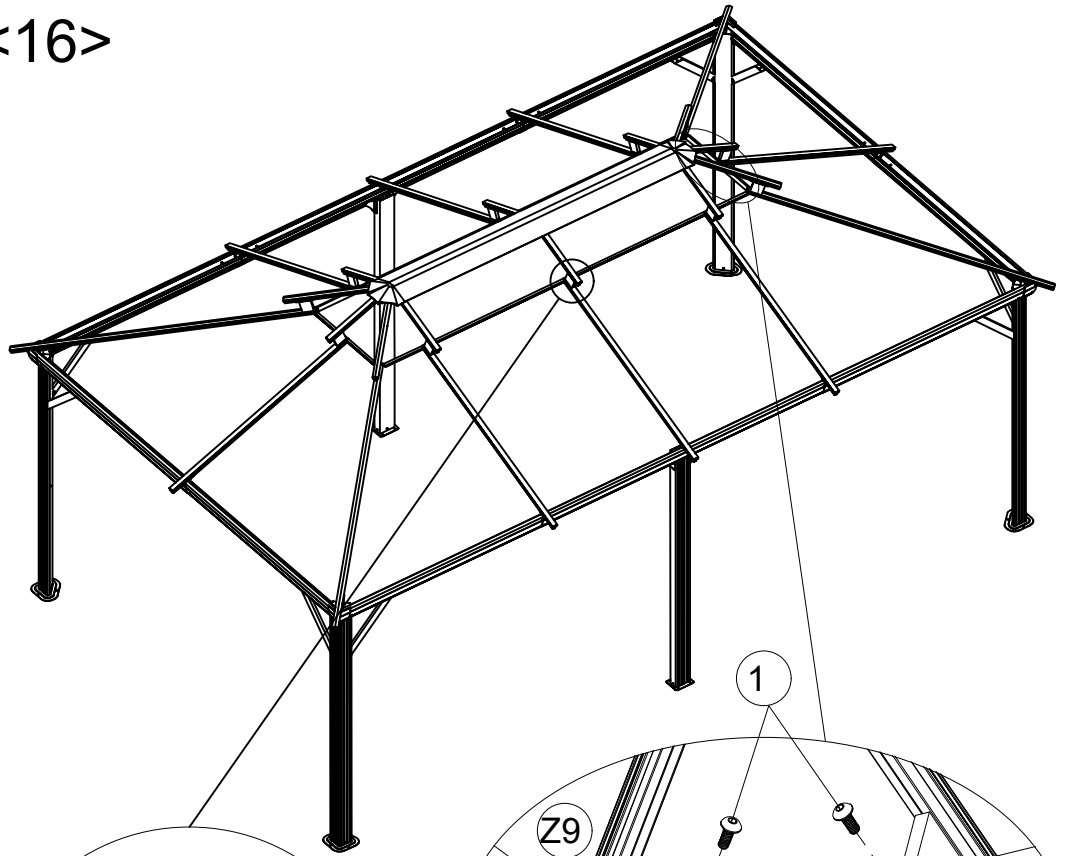
N 4x



N1 2x



M6x15
1 12x



22

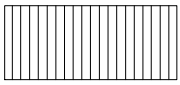
<17>



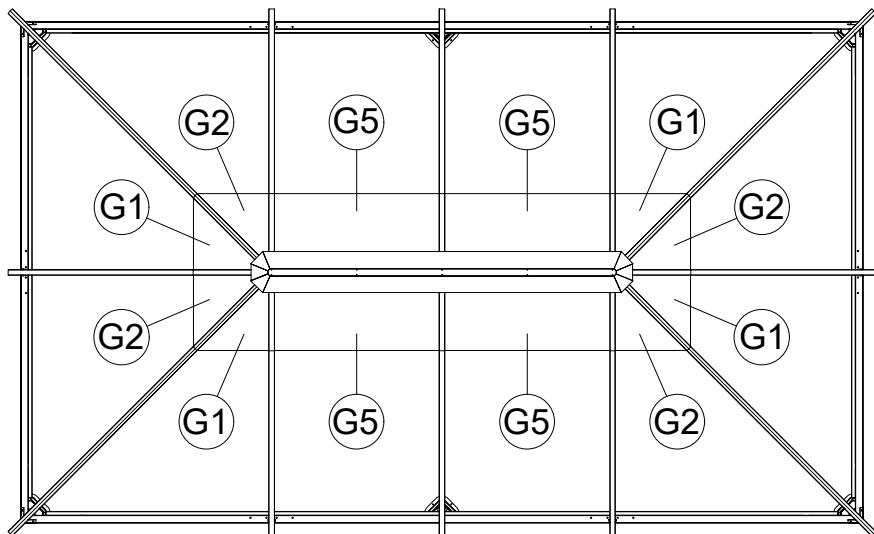
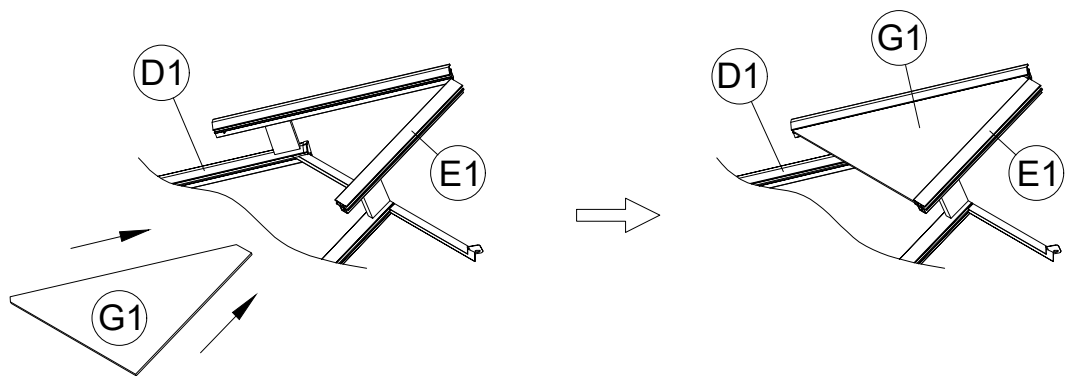
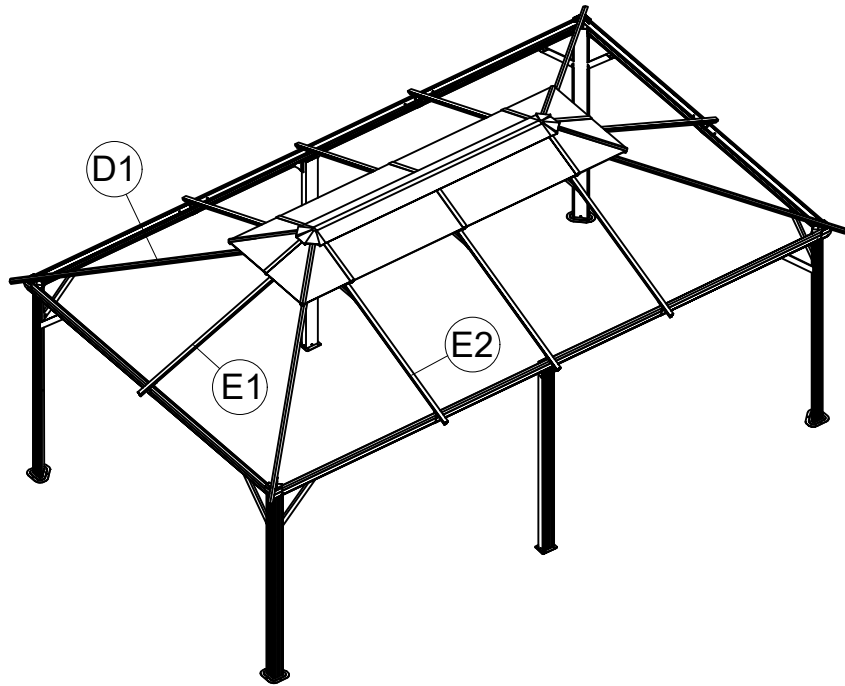
G1 4x



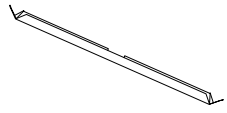
G2 4x



G5 4x



<18>



Z3 2x



Z7 2x



Z8 2x



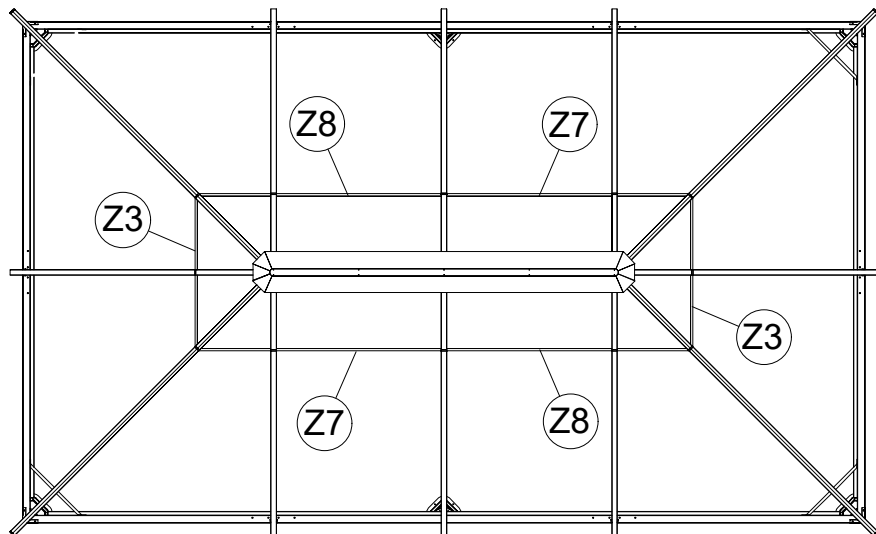
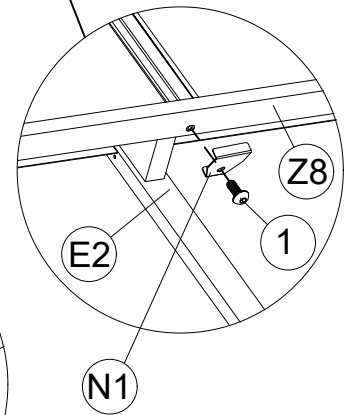
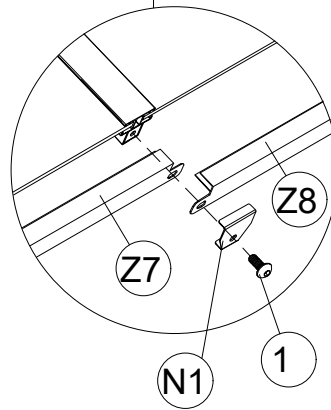
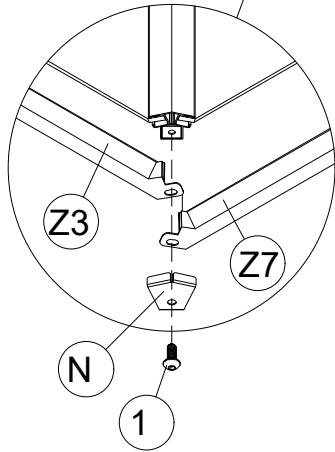
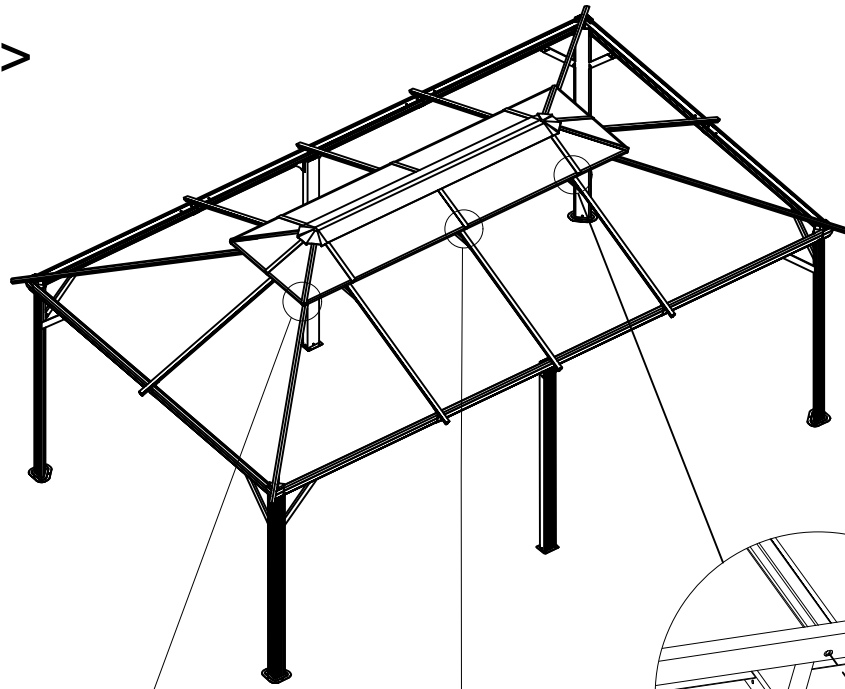
N 4x



N1 8x

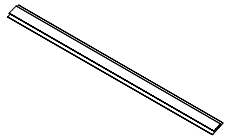


1 12x M6x15

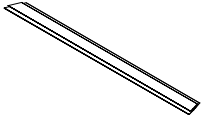


24

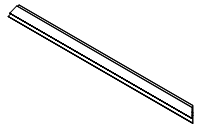
<19>



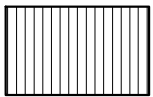
Y3 4x



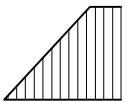
Y1 4x



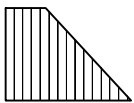
Y2 4x



F6 4x

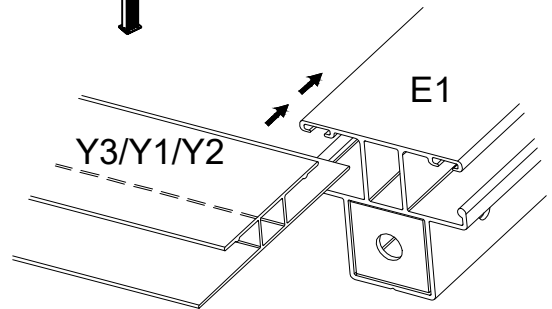
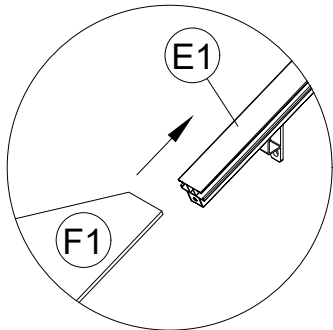
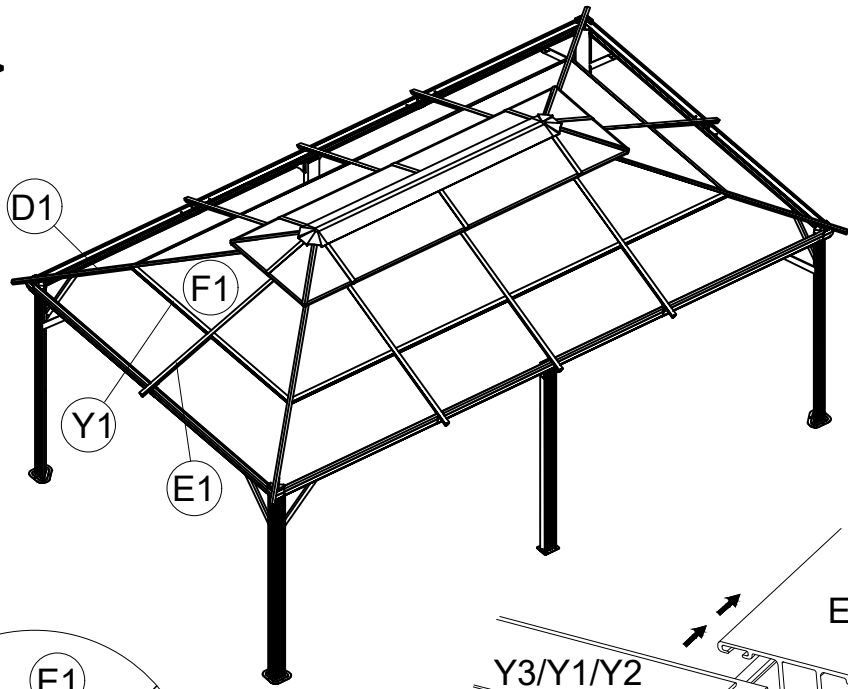


F1 4x



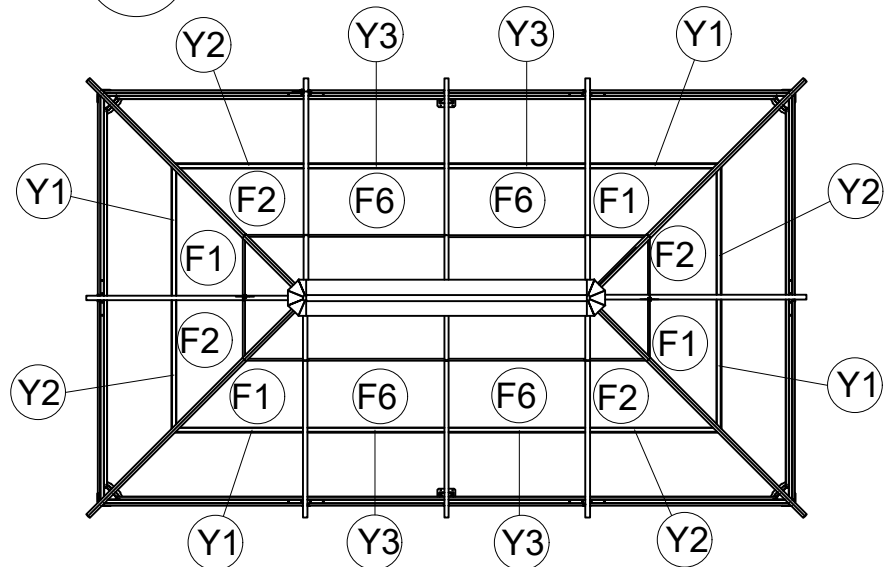
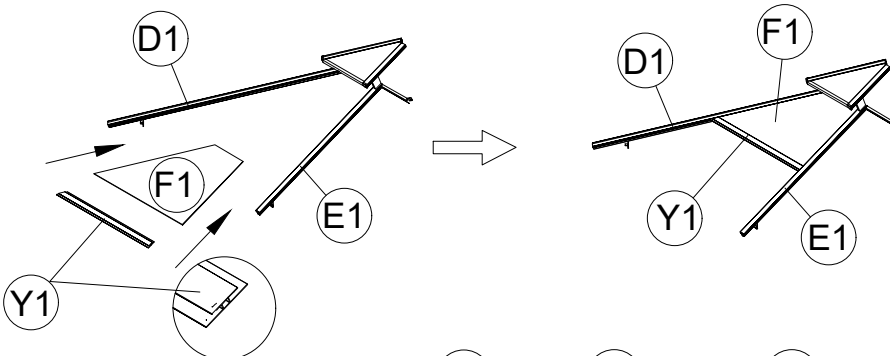
F2 4x

25

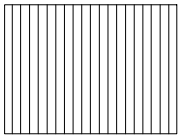


Note:

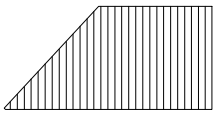
When Y1 or Y2 or Y3 slide into the E1, the wide side must be face down and narrow side face up, otherwise will cause water leaking



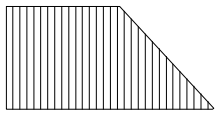
<20>



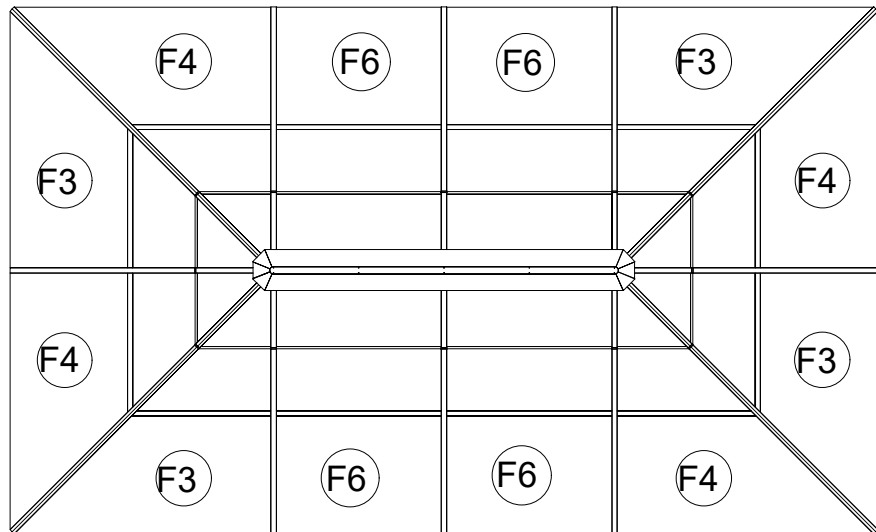
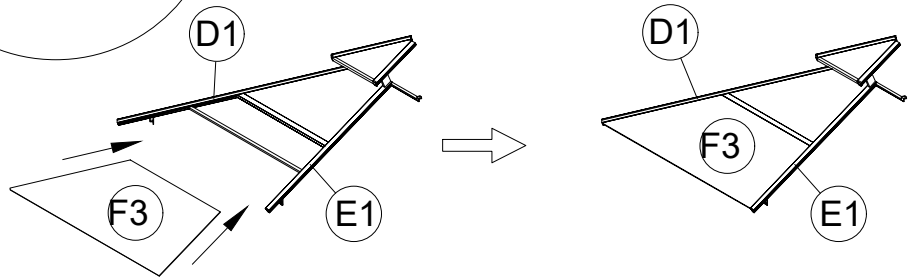
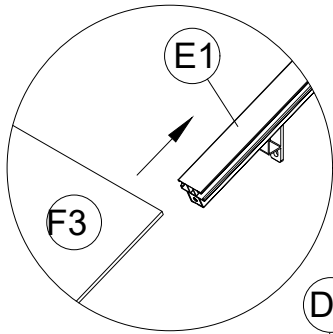
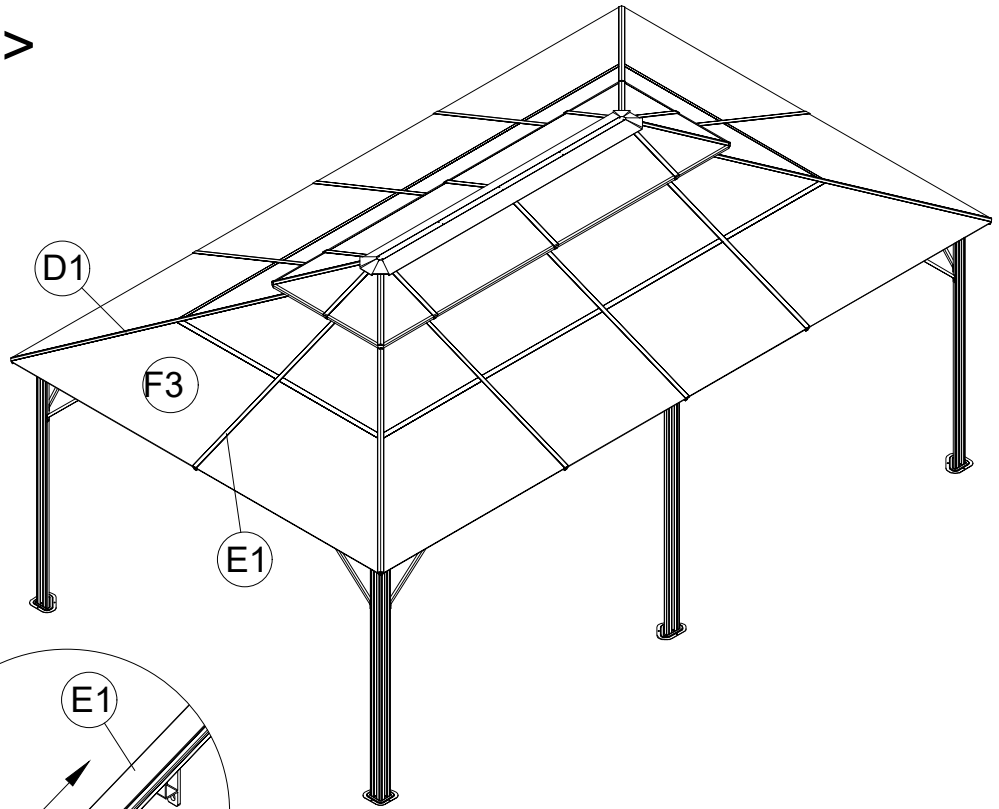
F6 4x



F3 4x



F4 4x



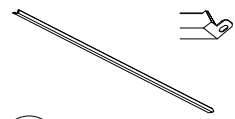
<21>



Z11 4x



Z1 4x



Z2 4x



N 4x

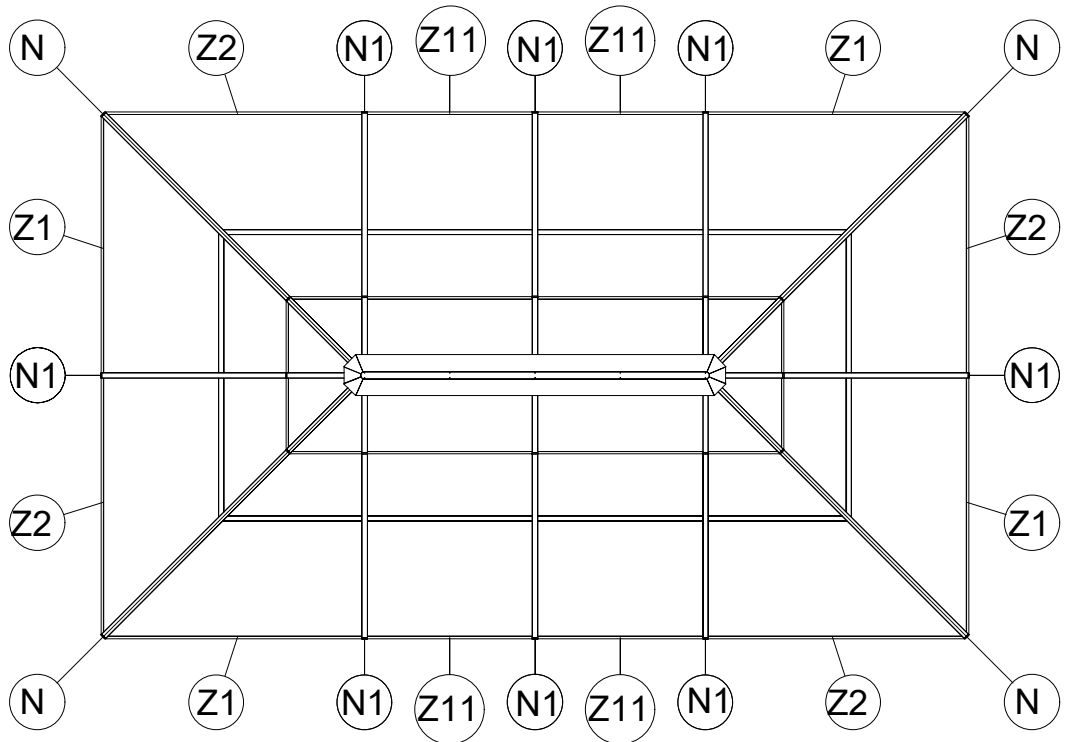
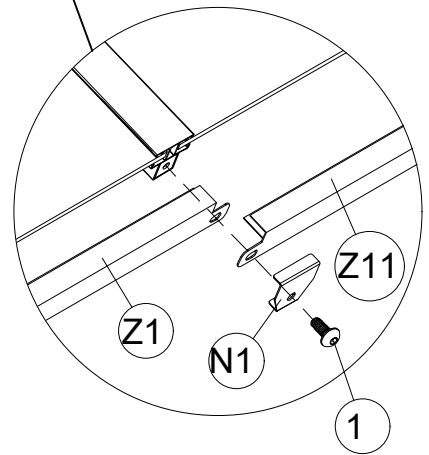
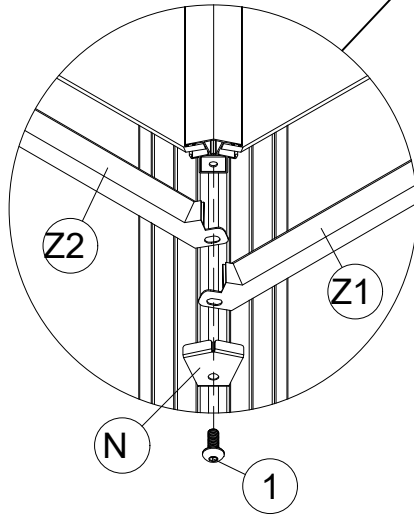
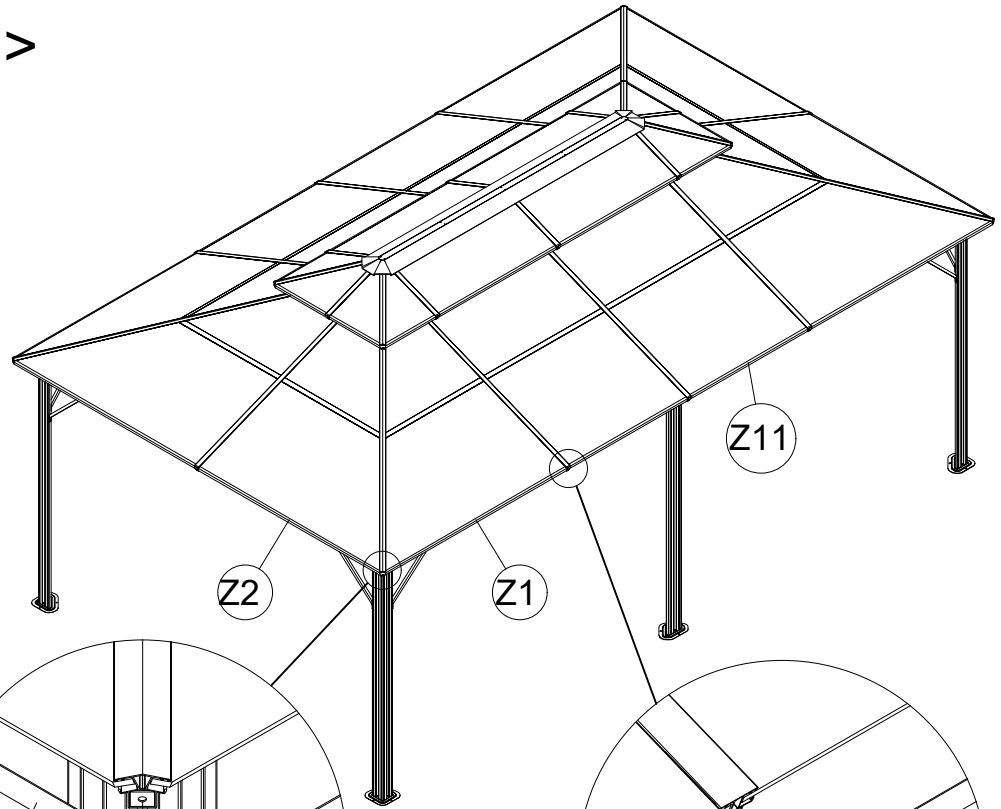


N1 8x

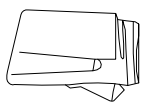


M6x15

1 12x

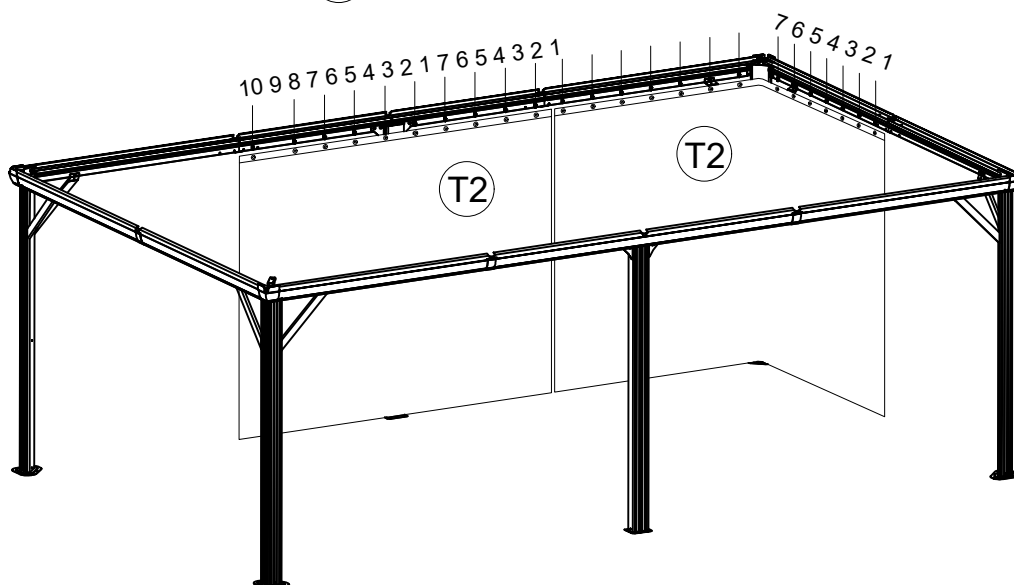
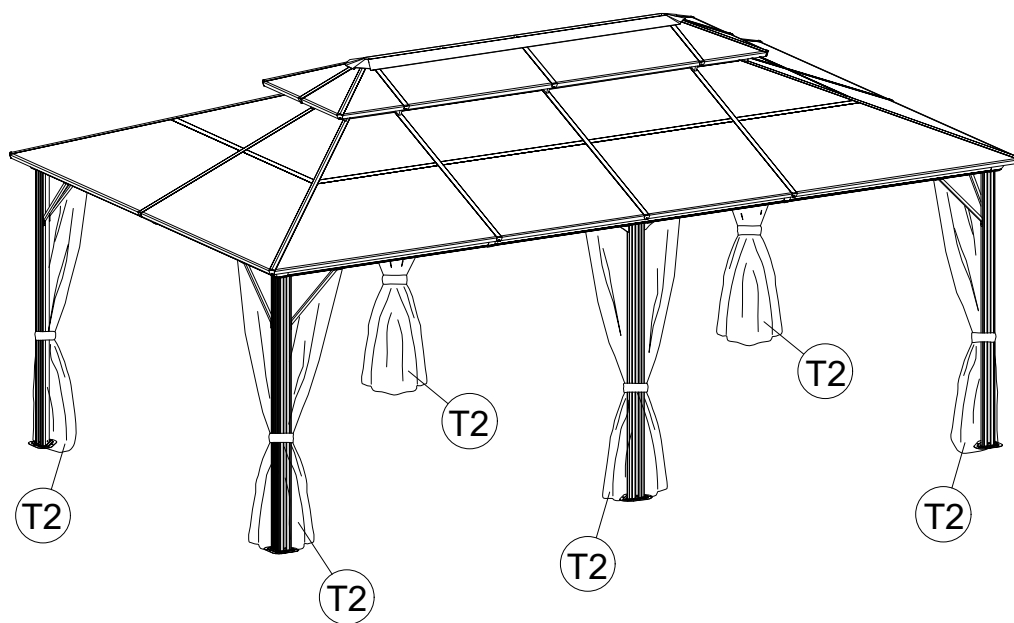
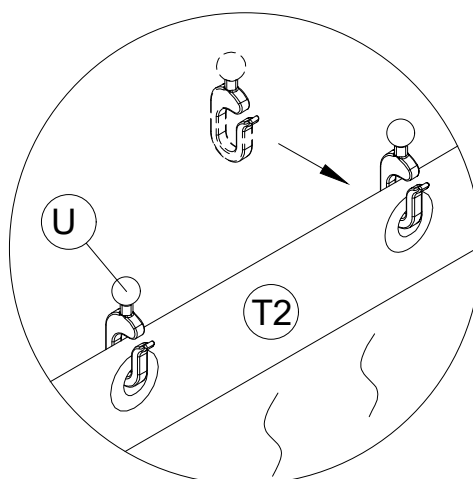
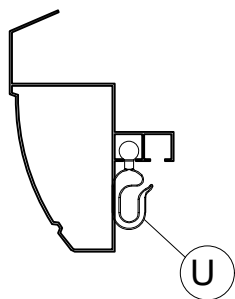


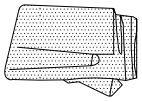
27



<22>

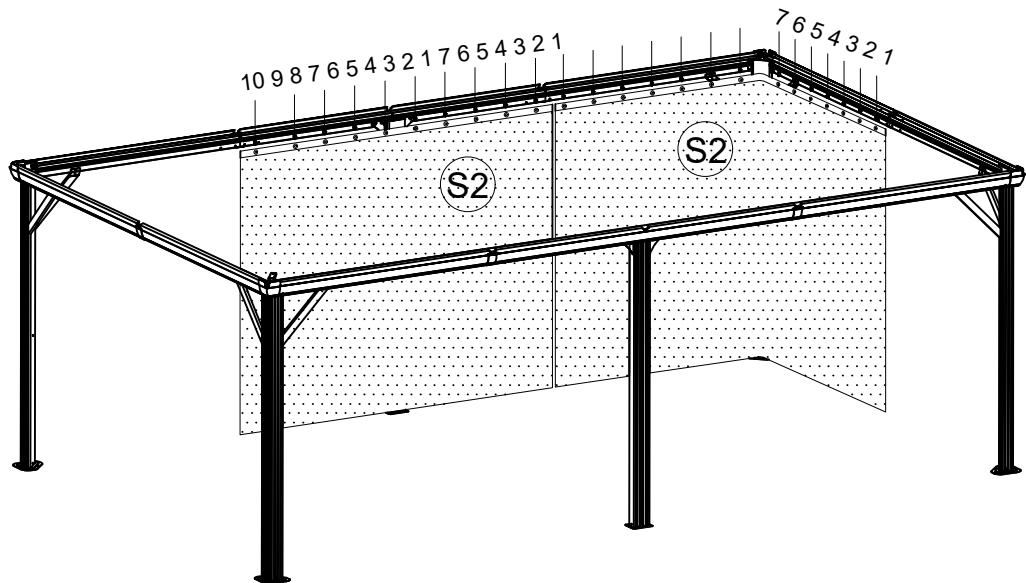
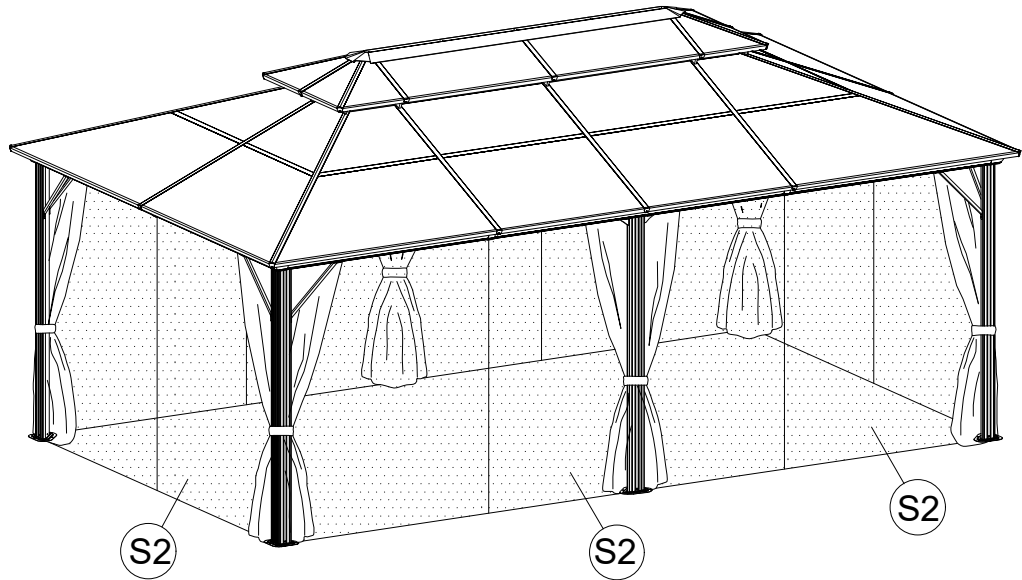
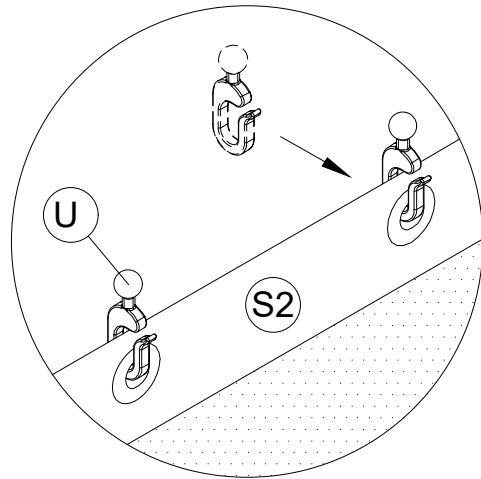
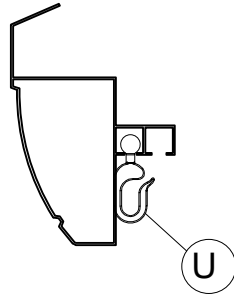
T2 4x + 2x





<23>

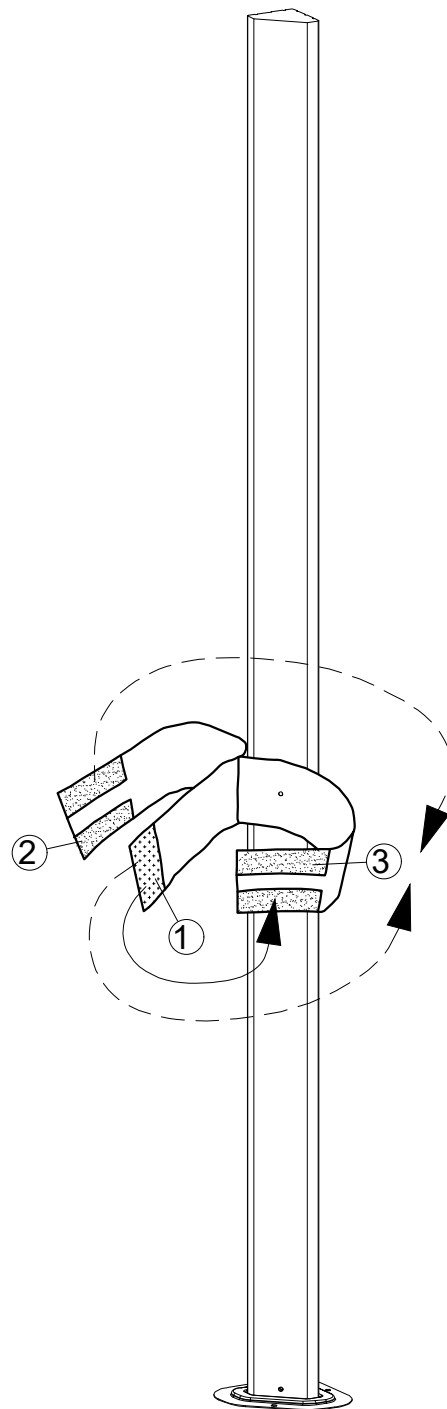
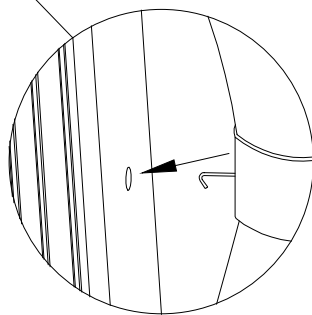
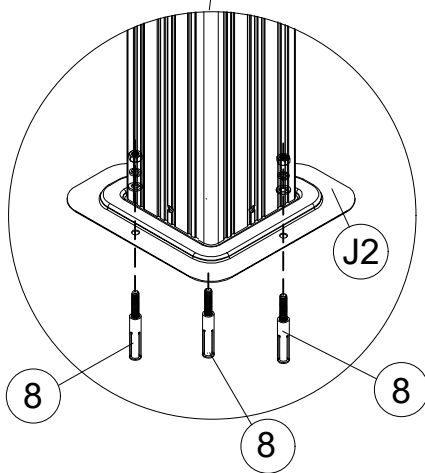
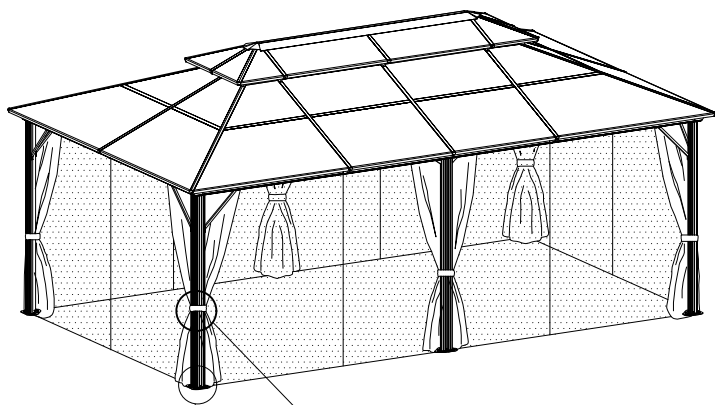
S2 4x + 2x





<24>

8 18x



30

Note:

1. 1 stick 2 tie S2 and T2 together
2. 1 stick 3 towards back tie T2
3. 1 stick 3 towards front tie S2