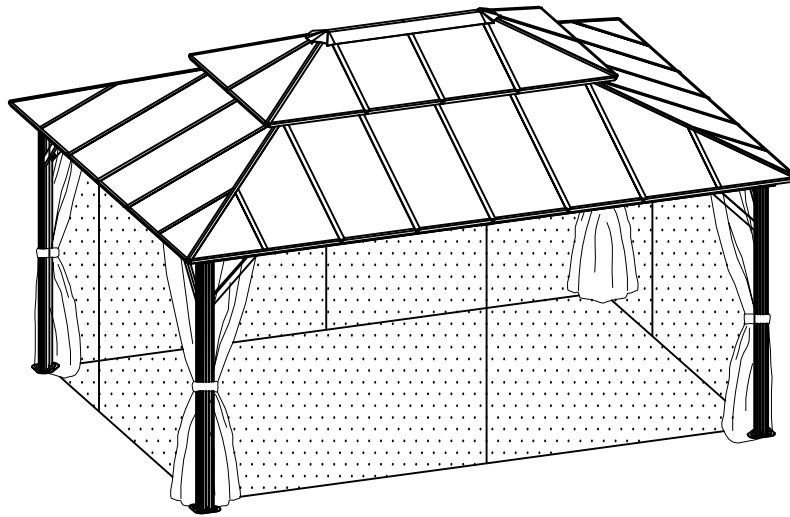


# 12 x 16 FT



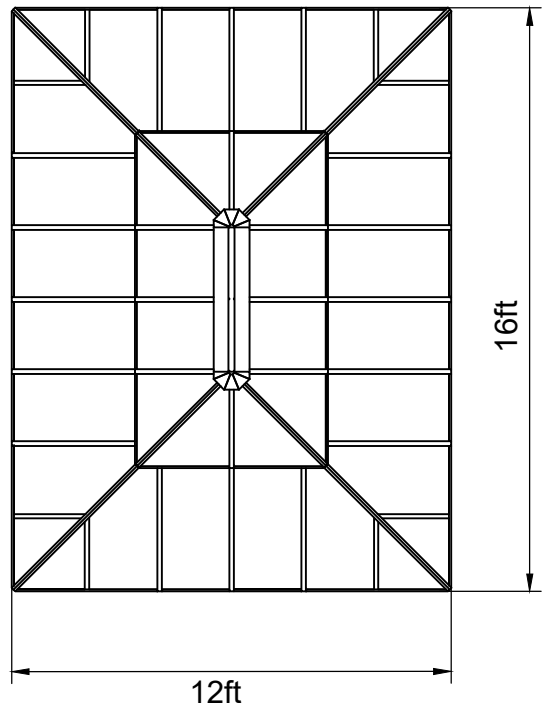
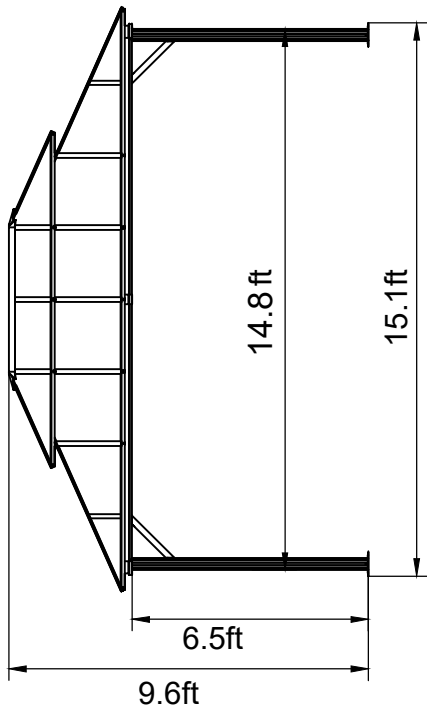
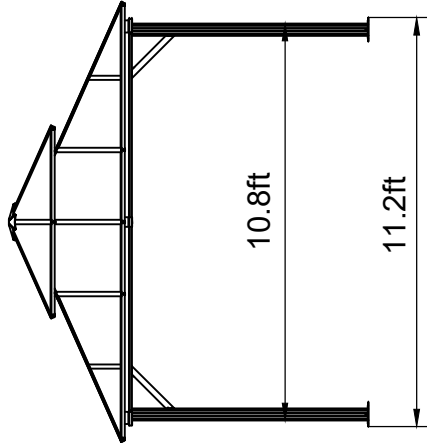
JFG008



At least need 3 people work together

## REQUIRED TOOLS







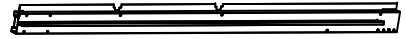
A7 4x



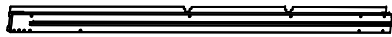
F 2x



F1 2x



G2 2x



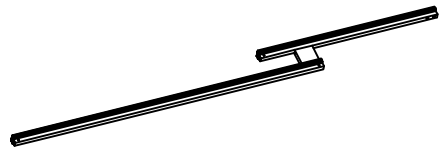
G3 2x



D6 4x



D7 4x



E4 8x



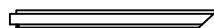
E5 4x



E6 4x



Y10 4x



Y11 4x



Z29 6x



Z21 4x



Z22 4x



Z23 2x



Z24 2x



Z25 2x



Z26 2x



Z27 2x



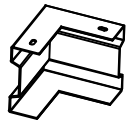
Z28 2x



H 4x



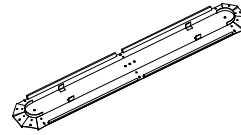
H1 4x



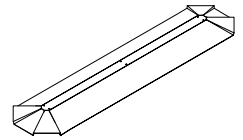
(K3) 4x



(K4) 4x



(L6) 1x



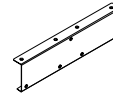
(M1) 1x



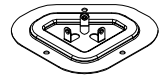
(N) 12x



(N1) 24x



(P1) 4x



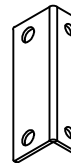
(J2) 4x



(V) 4x



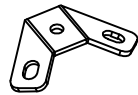
(X) 16x



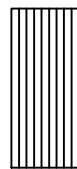
(X1) 8x



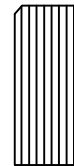
(X2) 8x



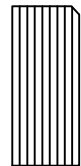
(X4) 4x



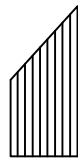
(B) 4x



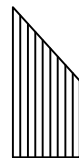
(B1) 4x



(B2) 4x



(B3) 4x



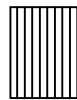
(B4) 4x



(B5) 4x



(B6) 4x



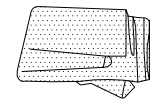
(C) 4x



(C1) 4x



(C2) 4x




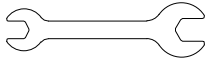






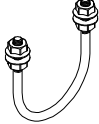

(S1) 4x



(T1) 4x

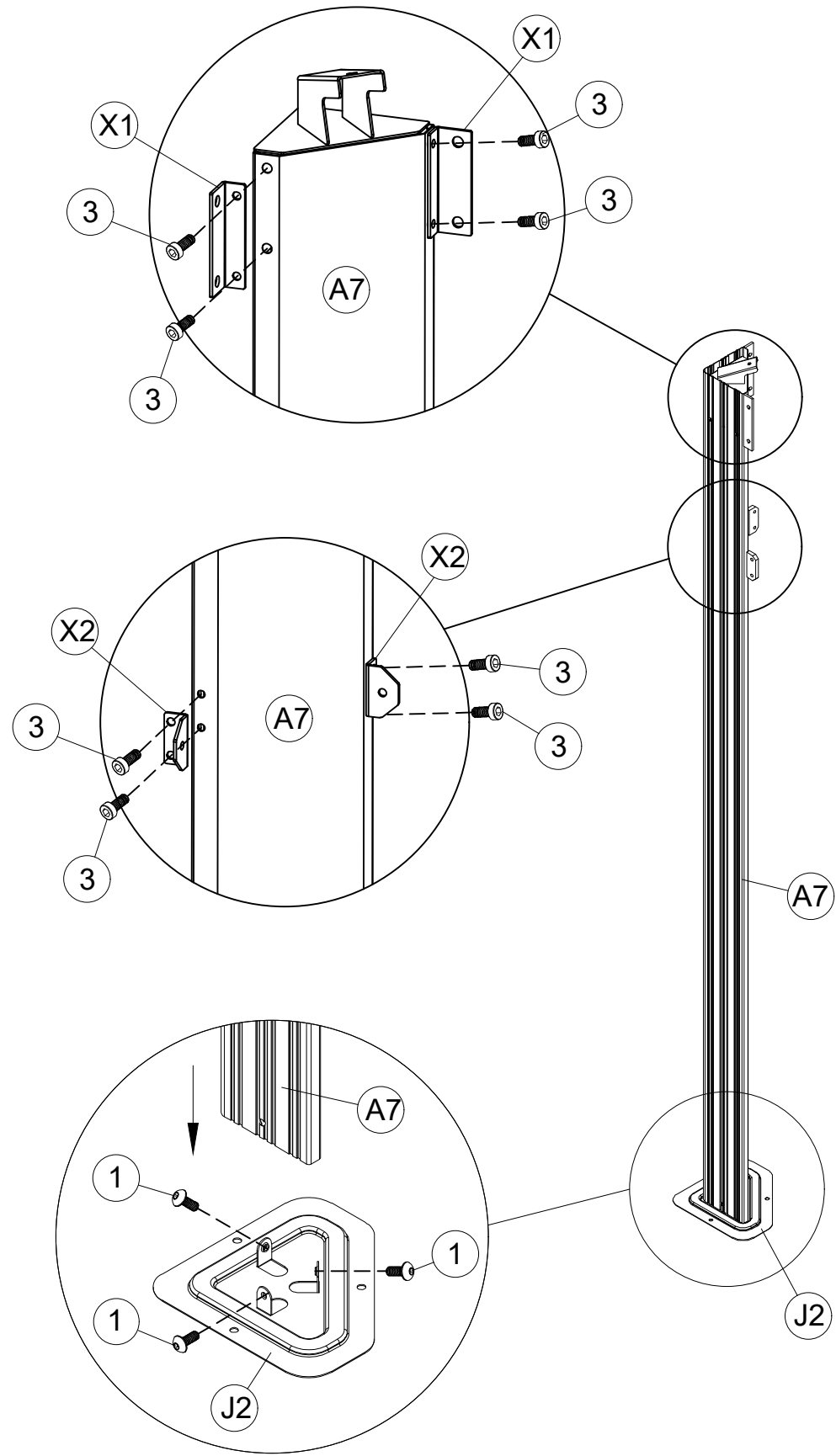
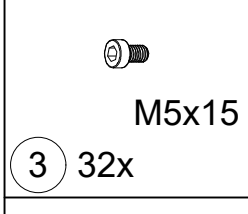
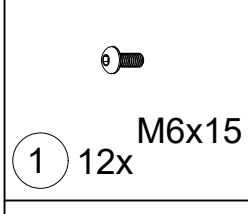
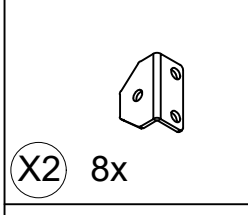
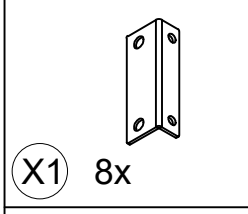
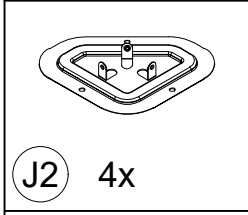
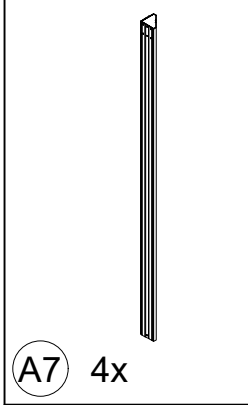


(U) 128x

 1x	 1x	 M6x15 ① 197x	 ② 16x
 1x			
 M5x15 ③ 64x	 ST4.8x12 ④ 8x	 ⑤ 2x	 ⑥ 1x
 ⑦ 12x			

Box A		Box C		N	12
Part #	Qty	Part #	Qty	N1	24
A7	4	F	2	X	16
D6	4	F1	2	X1	8
Z21	4	E6	4	X2	8
Z22	4	Z25	2	X4	4
		Z26	2	V	4
		L6	1	U	128
		M1	1	1-7	1
Box B		Box D		Box D	
Part #	Qty	Part #	Qty	Part #	Qty
G2	2	E4	8	B	4
G3	2	H	4	B1	4
E5	4	H1	4	B2	4
Z23	2	P1	4	B3	4
Z24	2	D7	4	B4	4
Z27	2	Z29	6	B5	4
Z28	2	K3	4	B6	4
		T1	4	C	4
		Y10	4	C1	4
		Y11	4	C2	4
		J2	4	S1	4
		K4	4		

<1>





(F) 2x



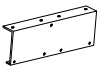
(F1) 2x



(G2) 2x



(G3) 2x



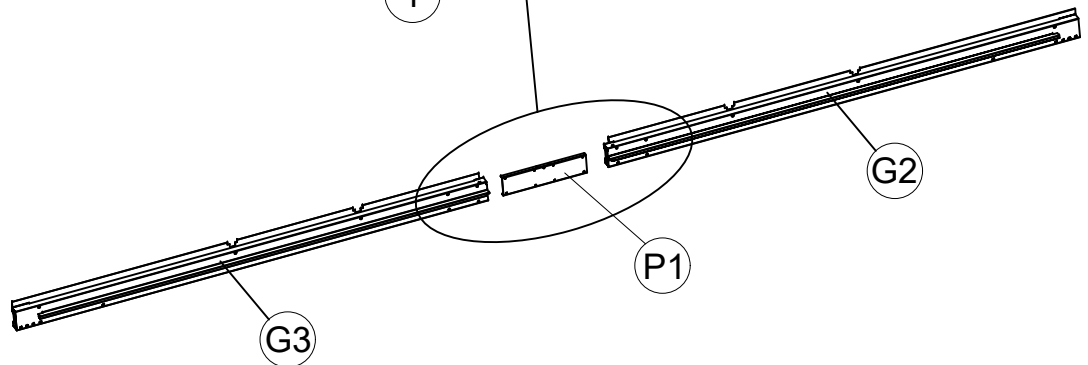
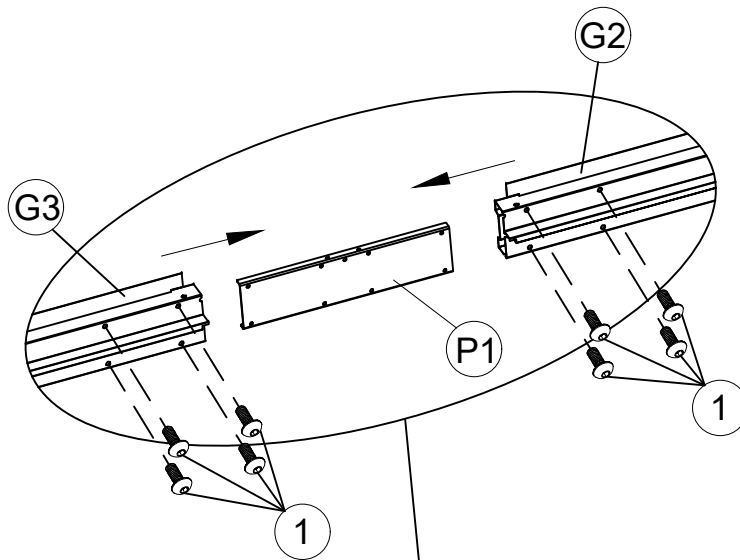
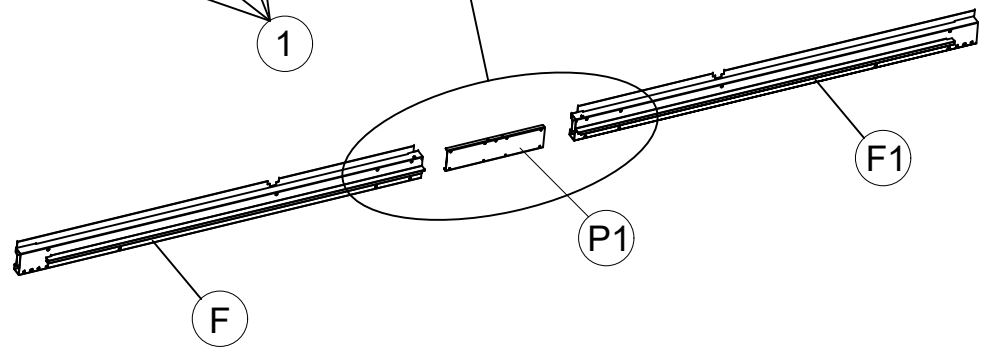
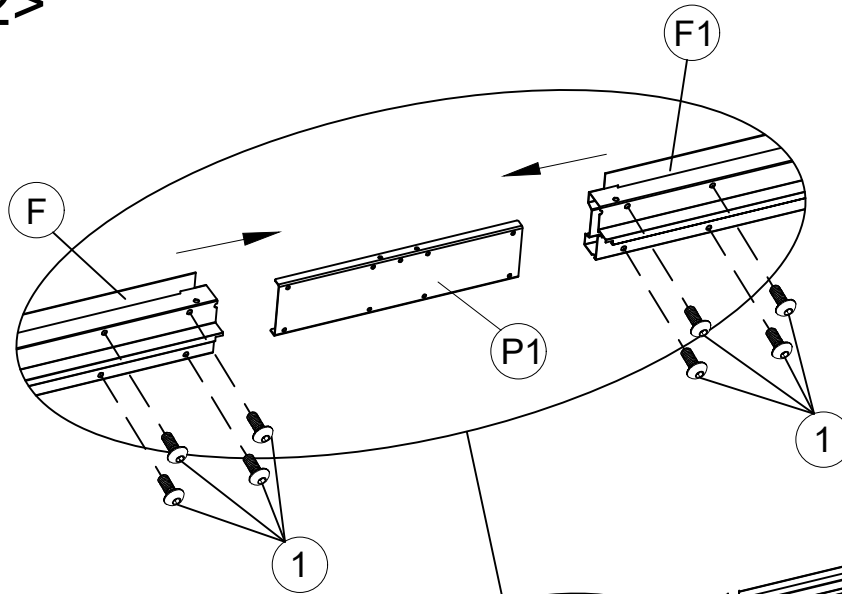
(P1) 4x



(1) 32x M6x15

8

<2>







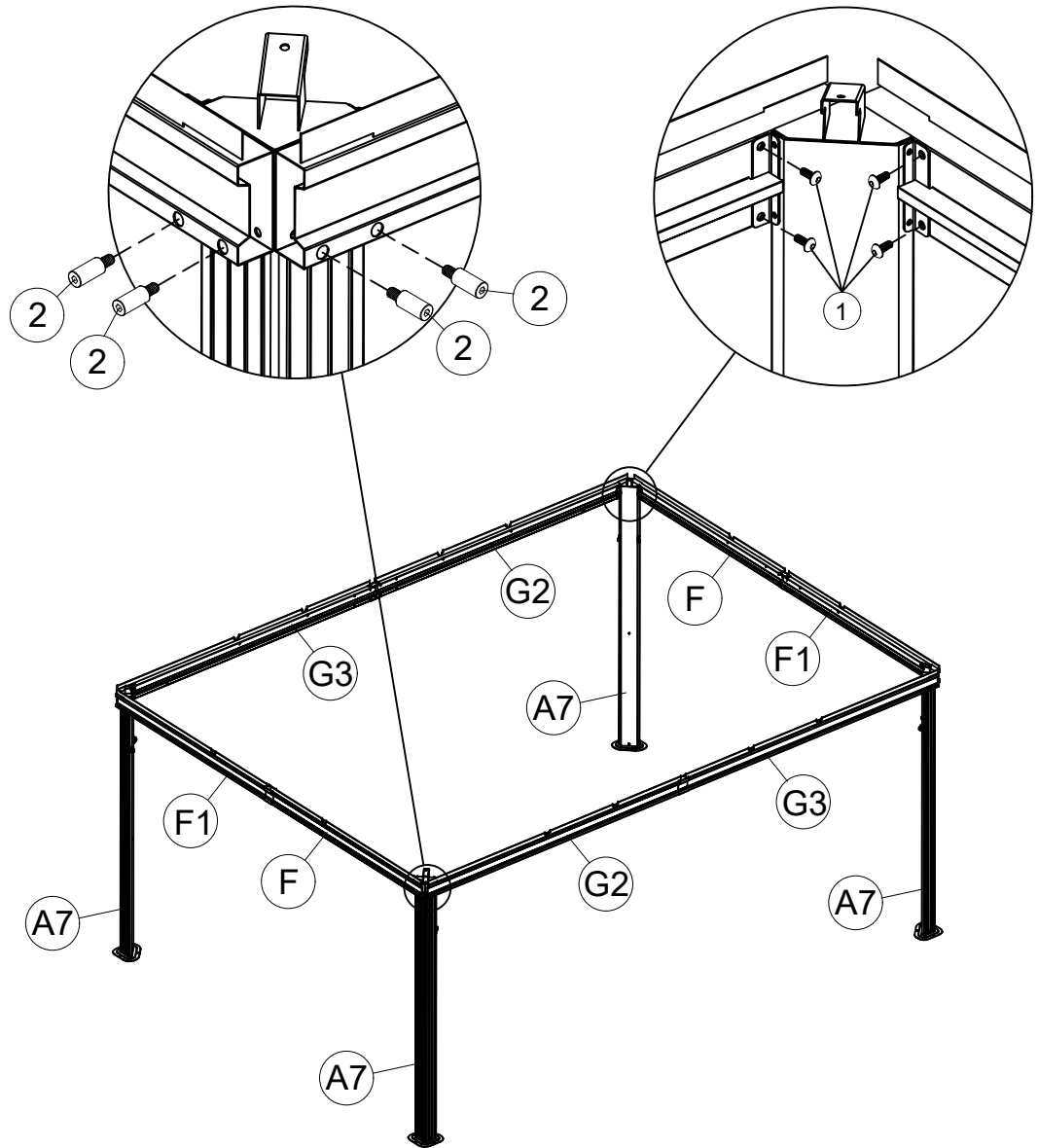
M6x15

1 16x



2 16x

<3>





H 4x

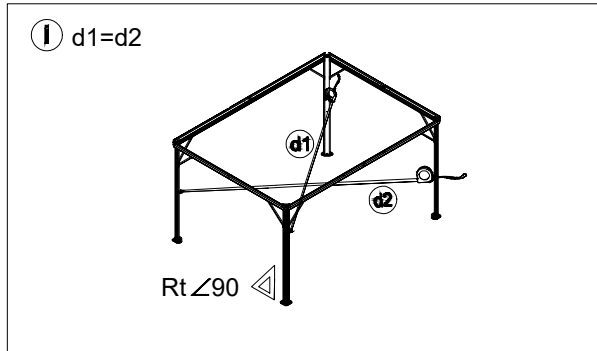


H1 4x

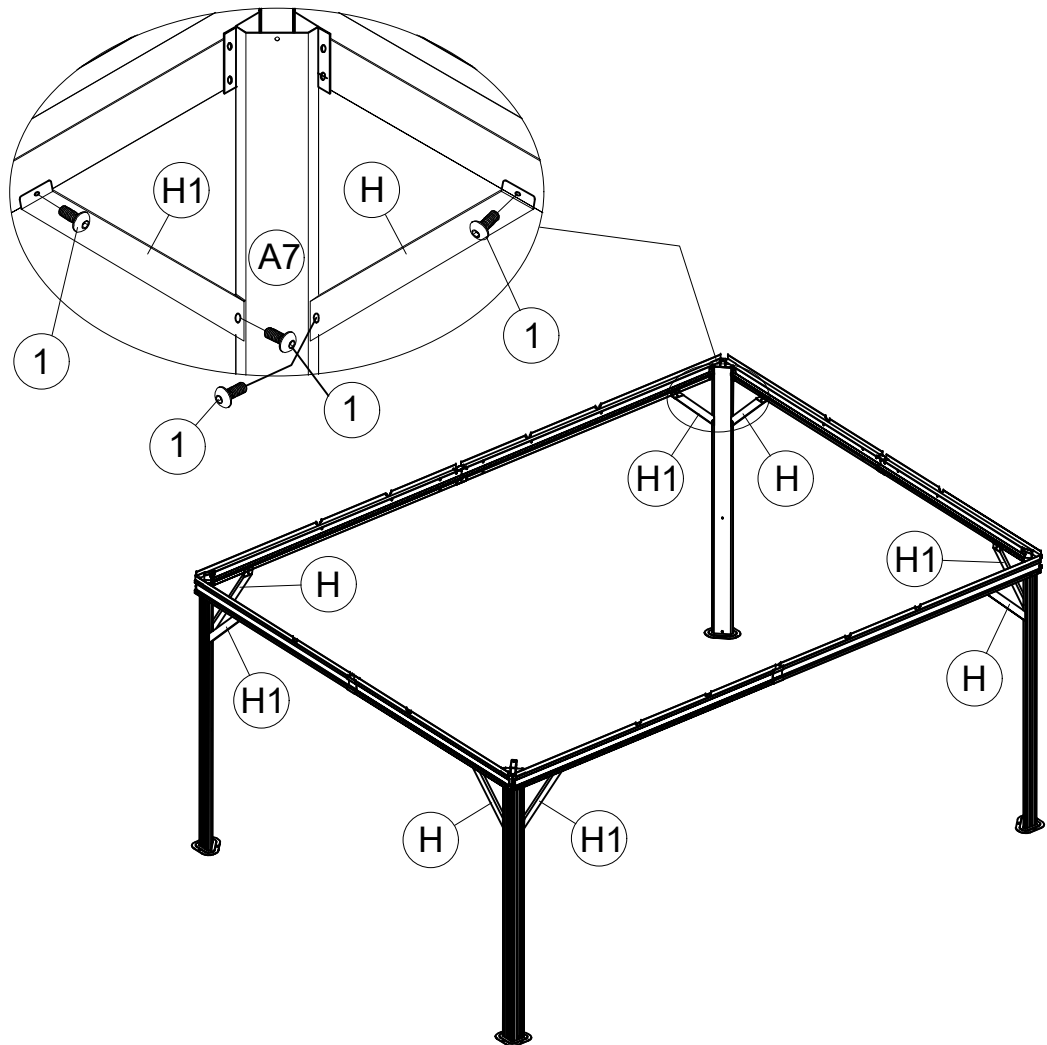


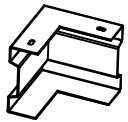
1 16x M6x15

<4>

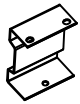


Tips: Please measure to make sure the length of d1 is equal to d2 before moving to next step to ensure a square frame and best results. Keep the beam at right angles to the post, the post at right angles to the ground, and keep the beam horizontal.

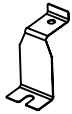




(K3) 4x



(K4) 4x



(V) 4x



(U) 128x

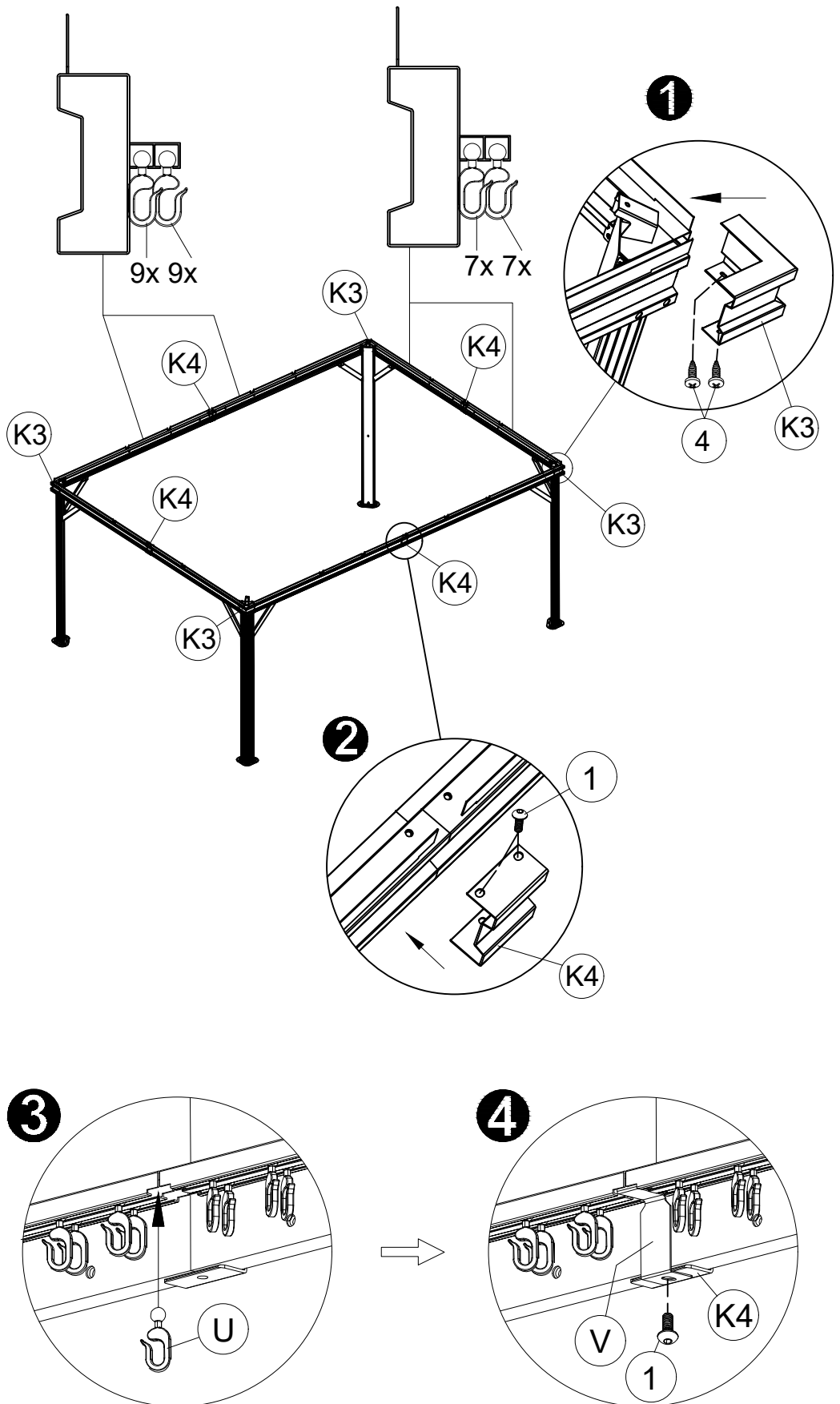


(1) 12x M6x15



(4) 8x ST4.8 x12

<5>



<6>



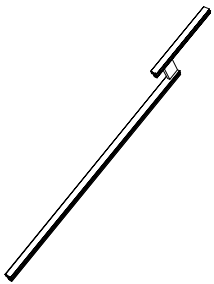
D6 4x



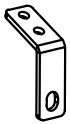
D7 4x



1 8x M6x15



E4 8x

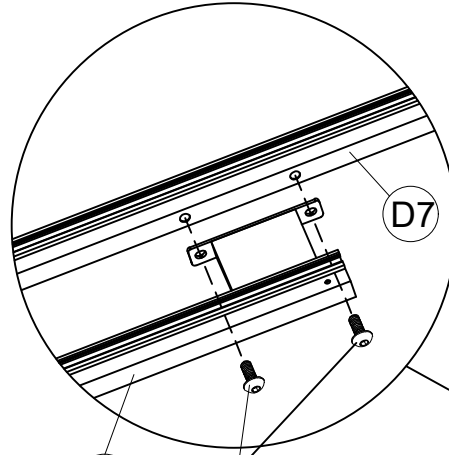


X 8x



3 16x M5x15

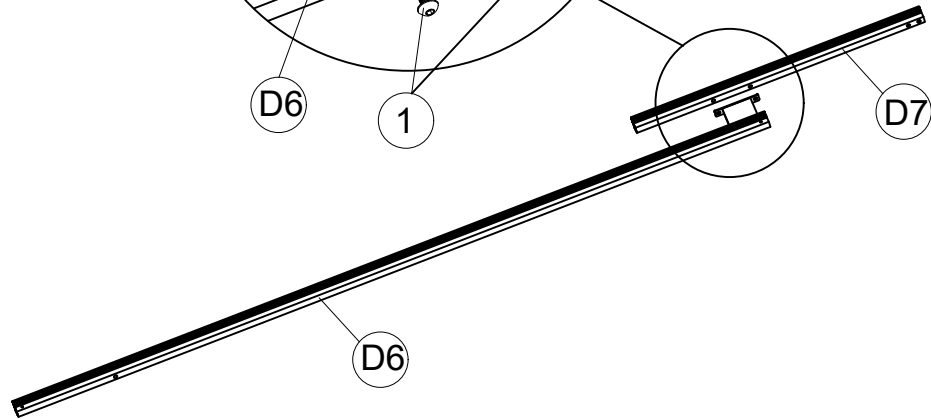
12



D6

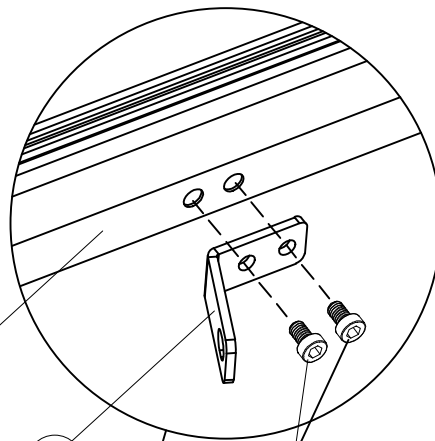
1

D7



D6

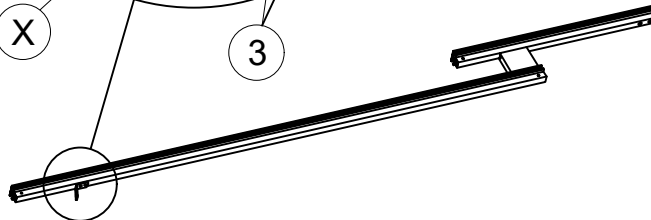
D7



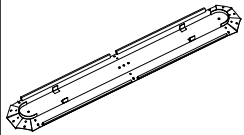
E4

X

3



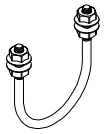
E4



L6 1x

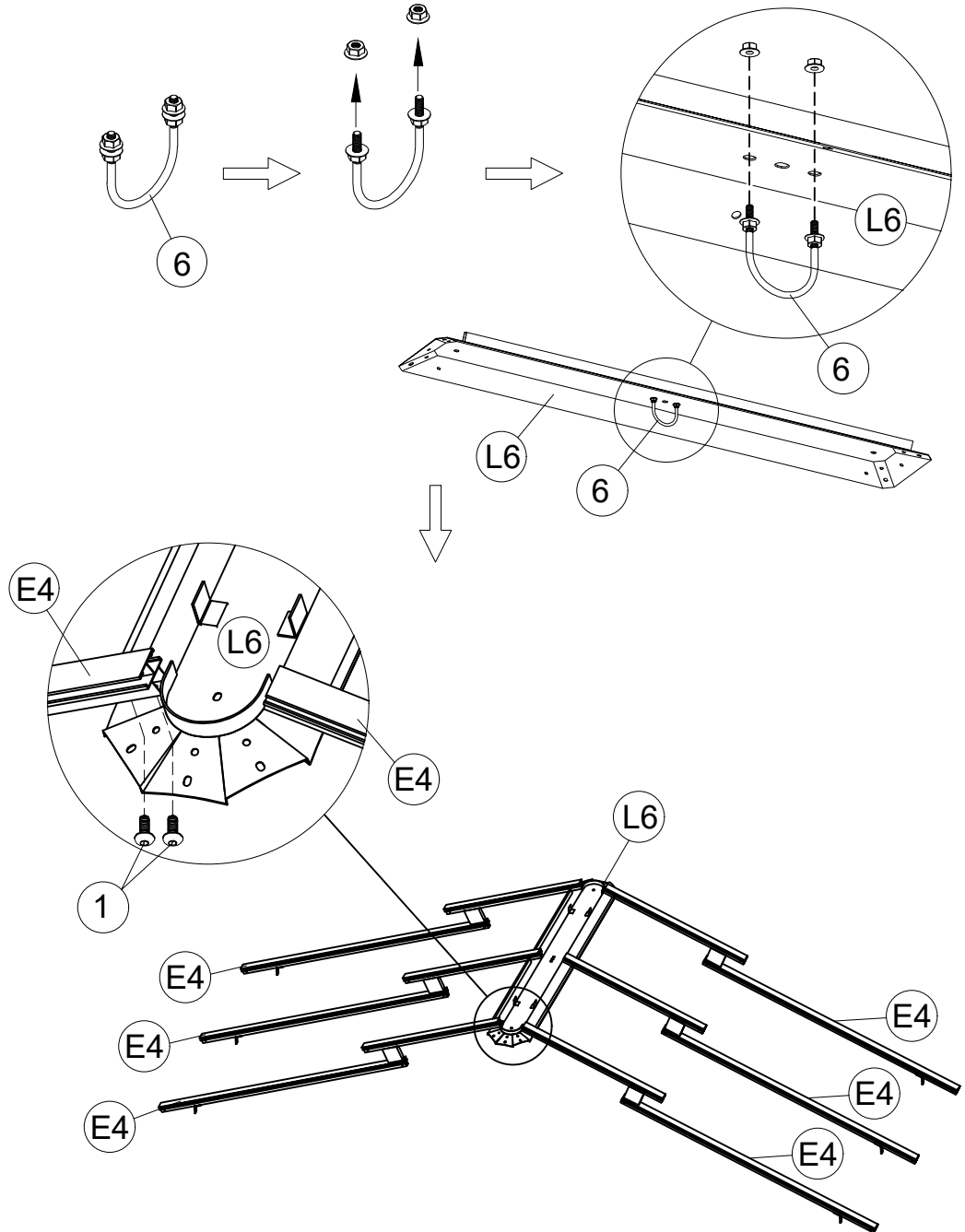


1 12x M6x15



6 1x

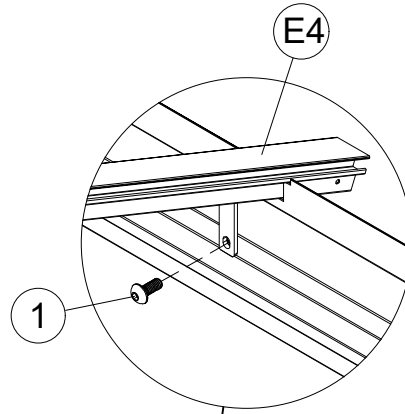
<7>

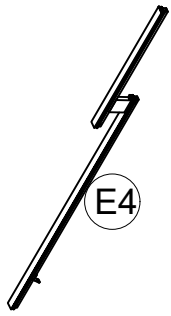




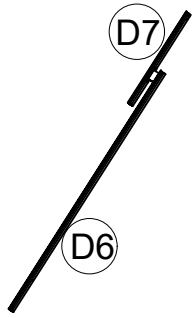
<8>

1 6x M6x15





2x



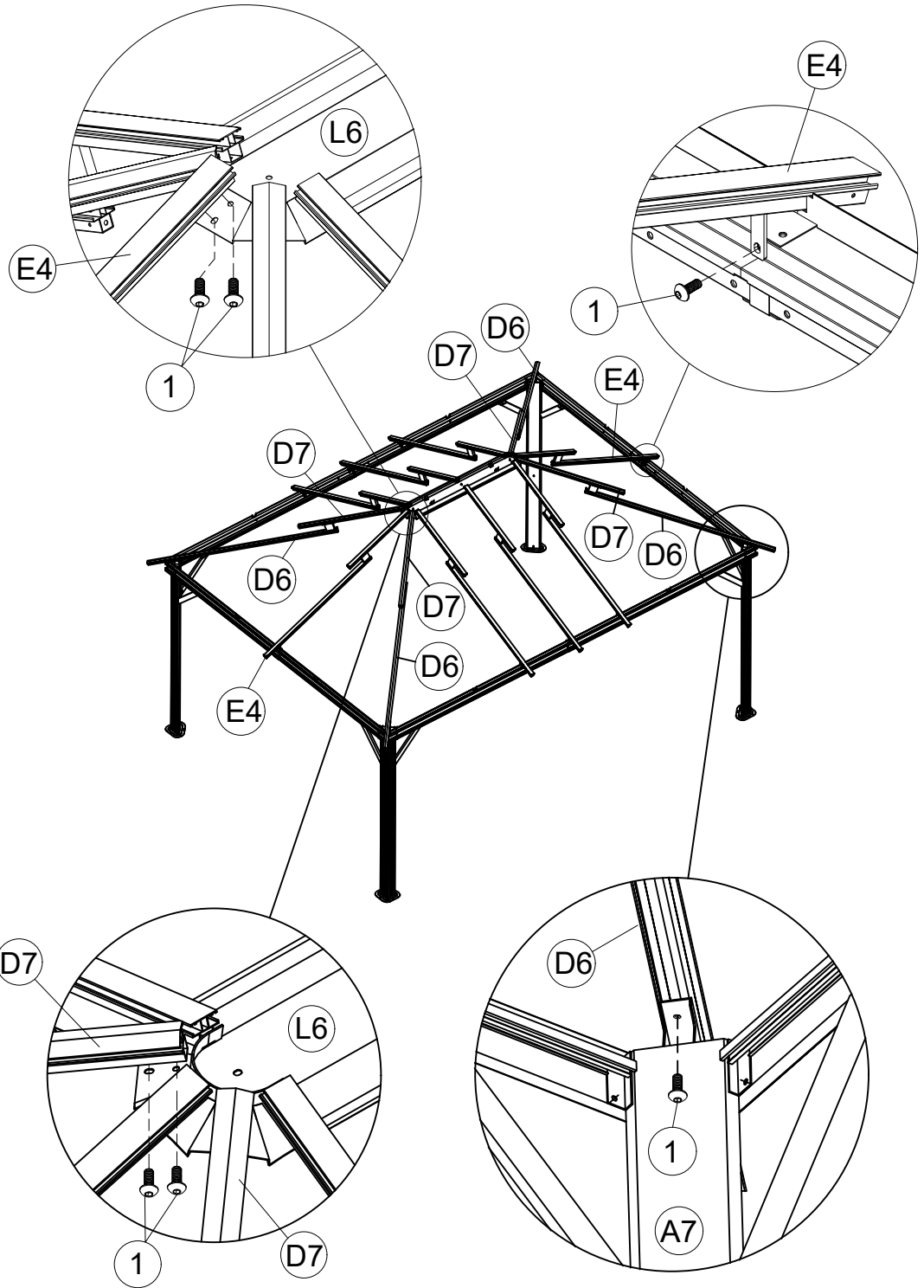
4x



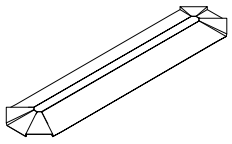
M6x15

1 18x

<9>



15



M1 1x



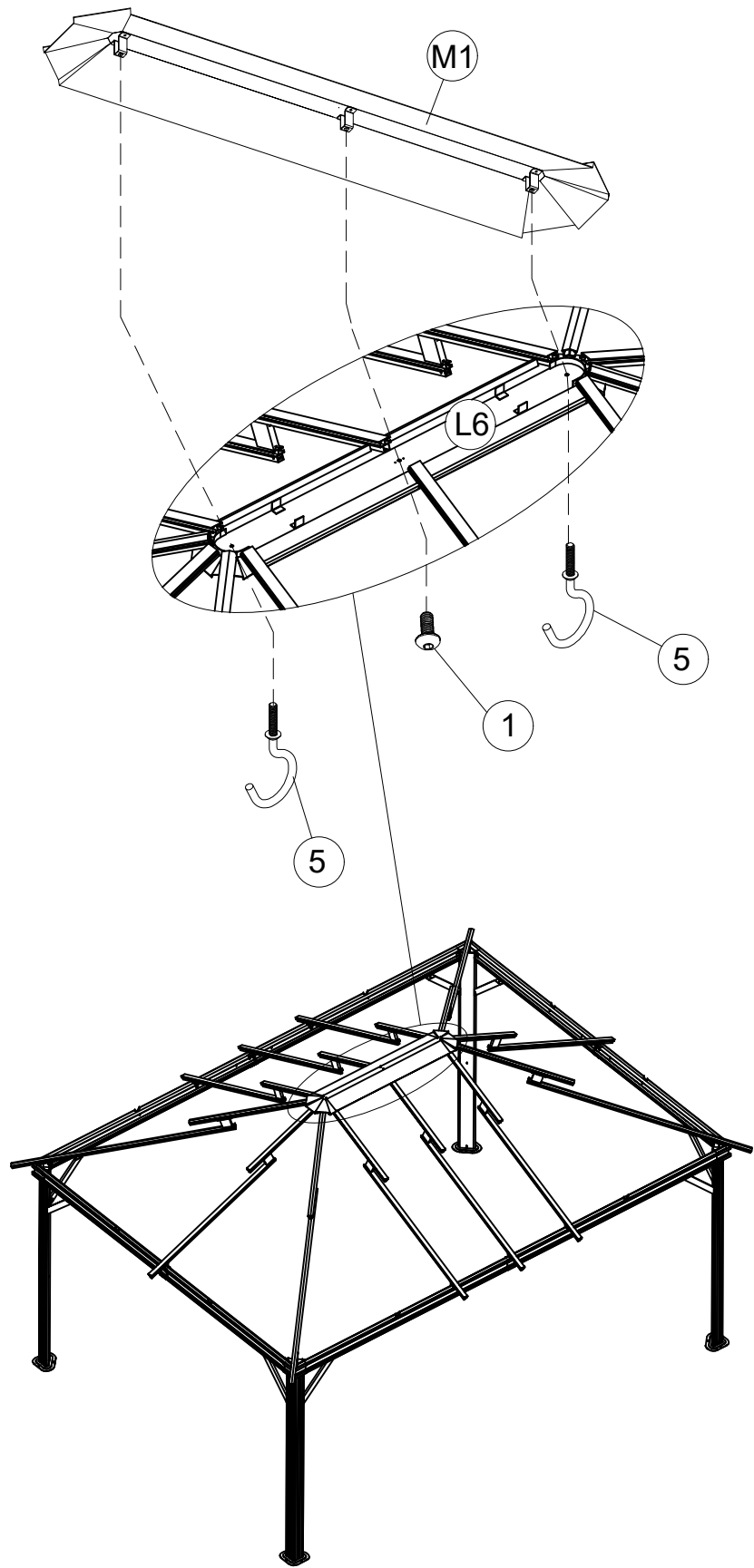
M6x15

1 1x



5 2x

<10>



16

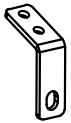




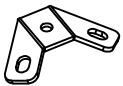
E5 4x



E6 4x



X 8x



X4 4x



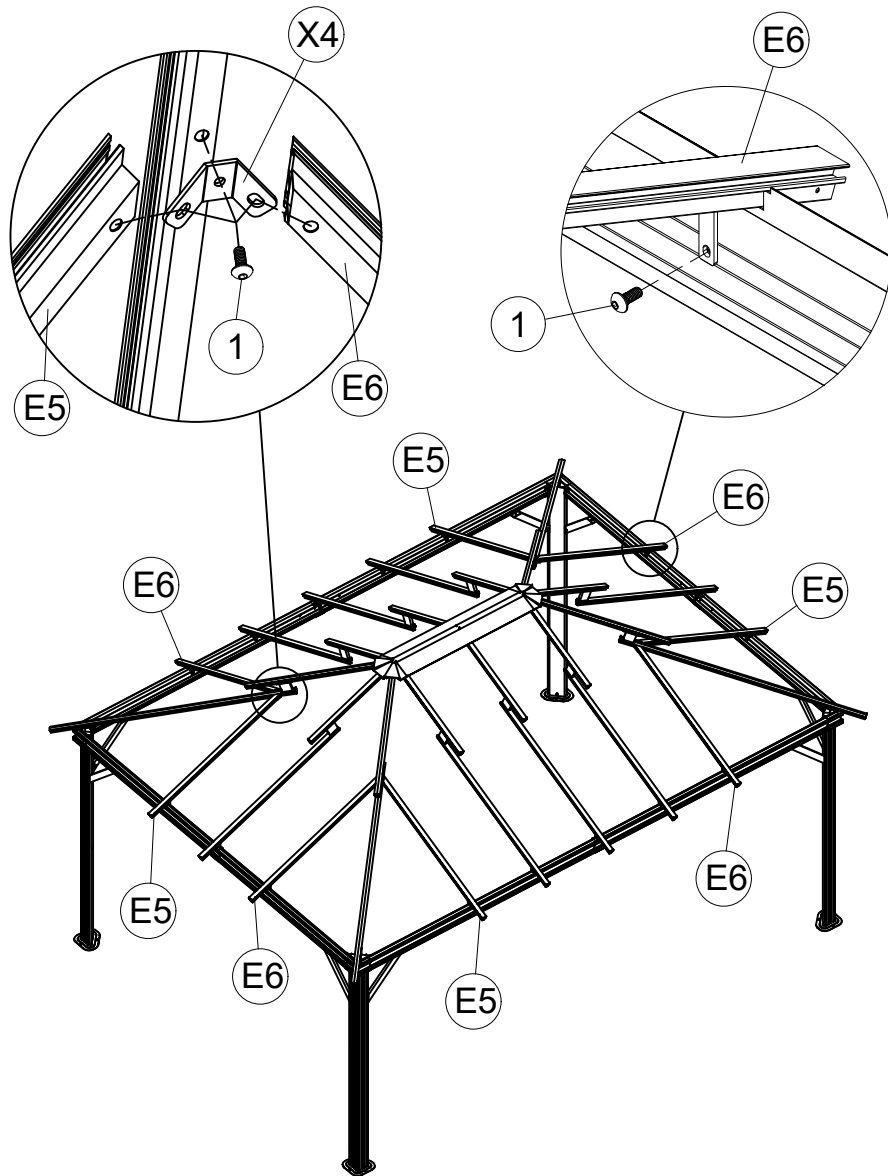
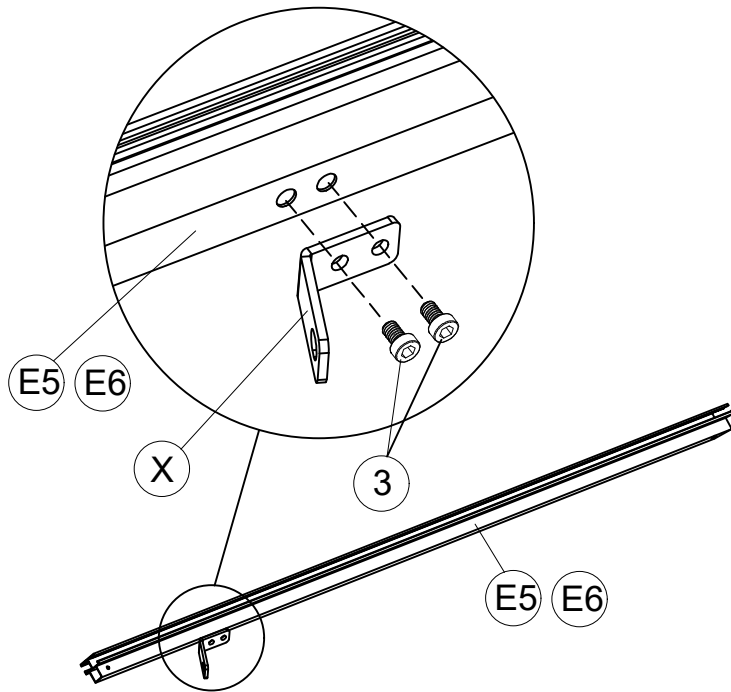
1 20x M6x15



3 16x M5x15

17

<11>

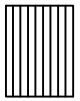




C1 4x

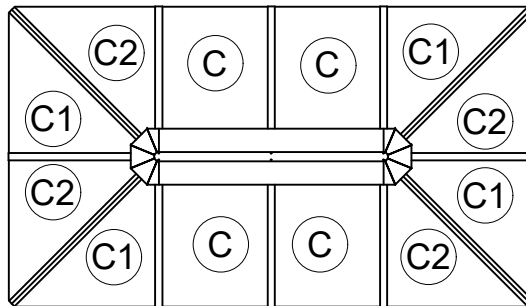
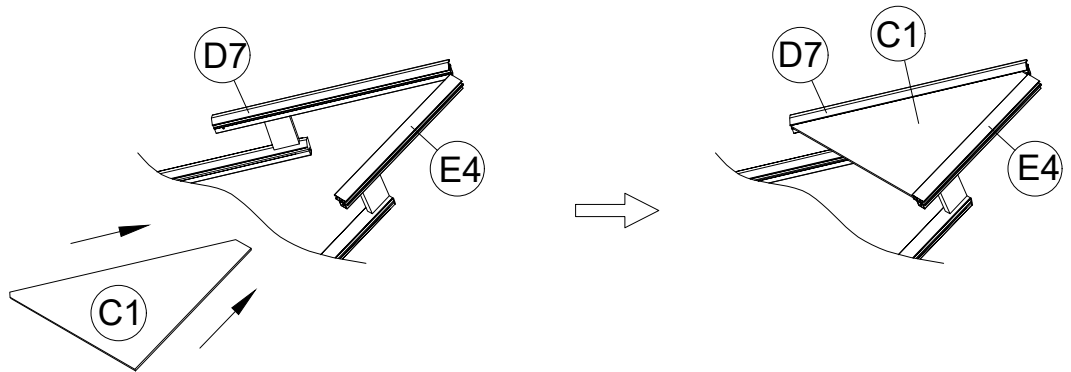
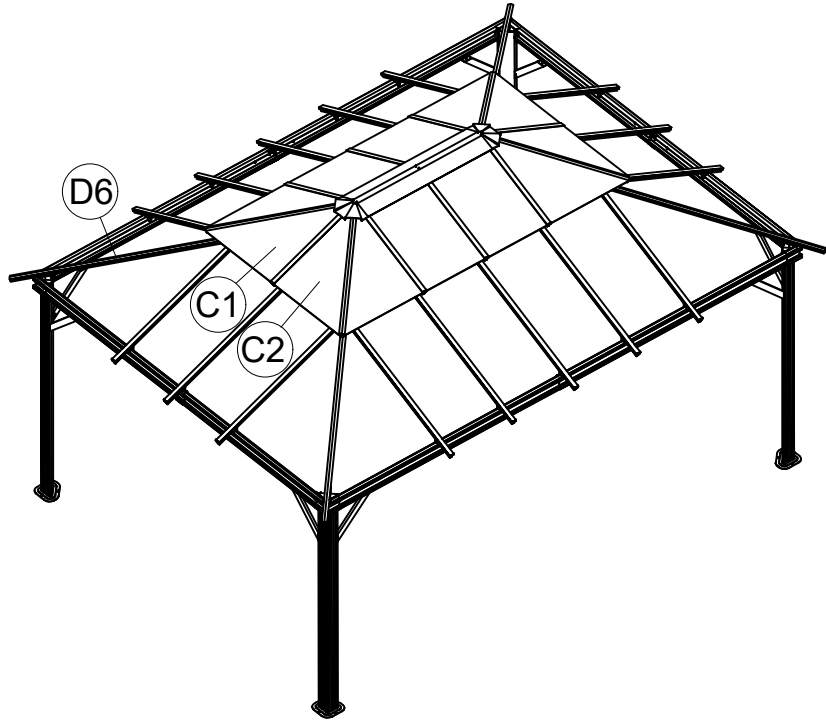


C2 4x

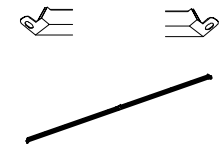
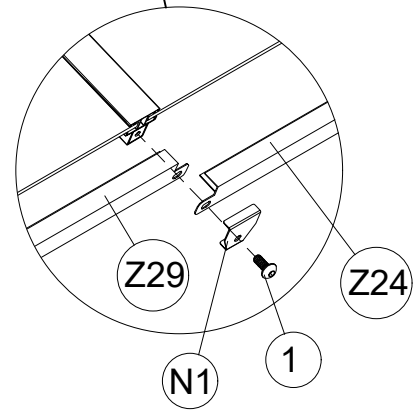
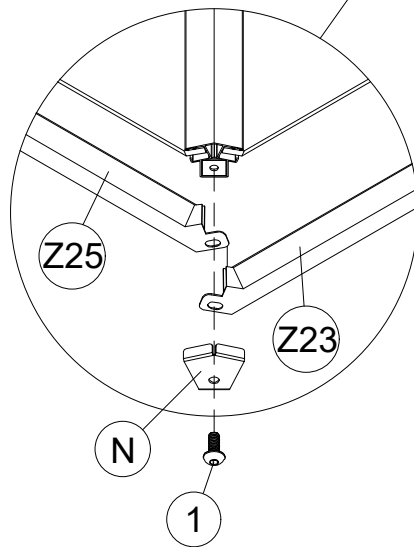
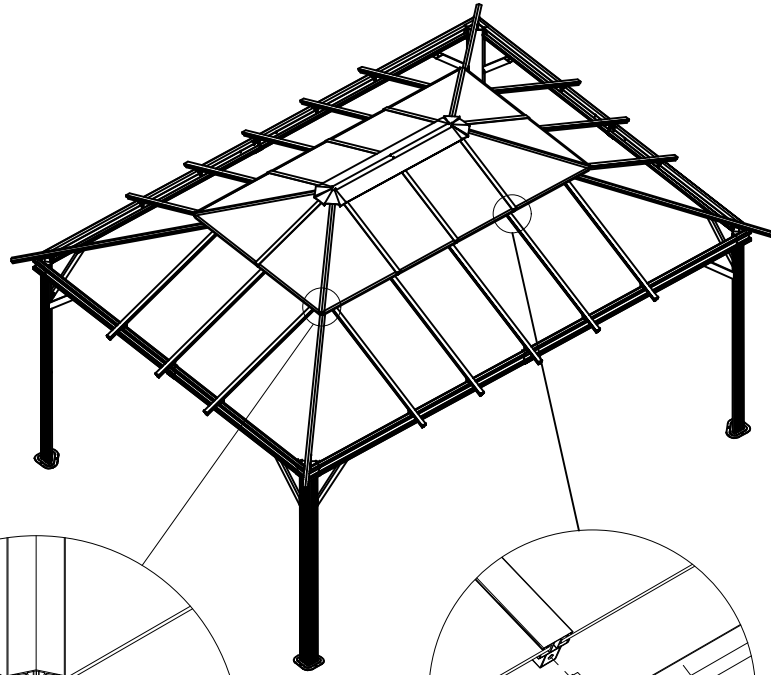


C 4x

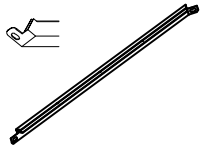
<12>



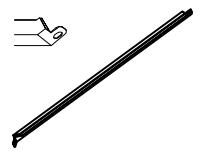
<13>



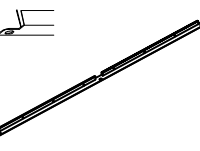
Z25 2x



Z23 2x



Z24 2x



Z29 2x



N 4x

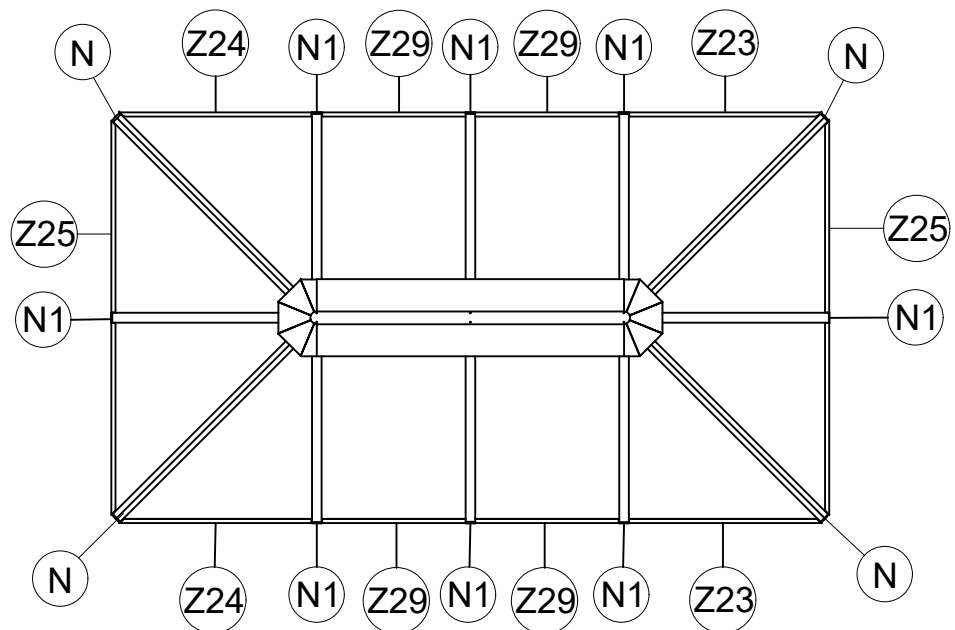


N1 8x



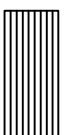
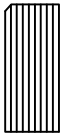
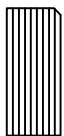






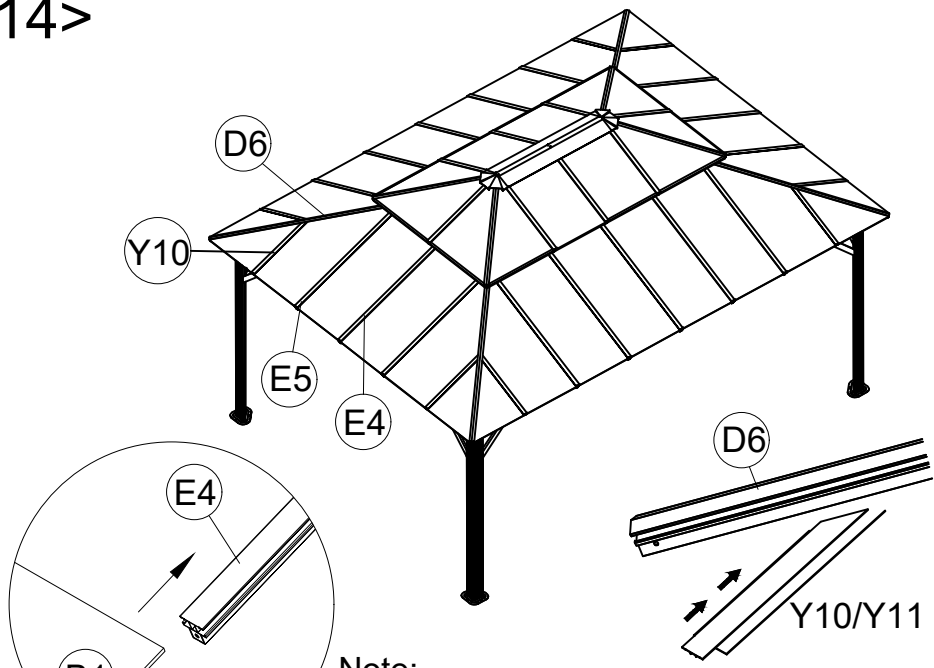
1 12x M6x15

19



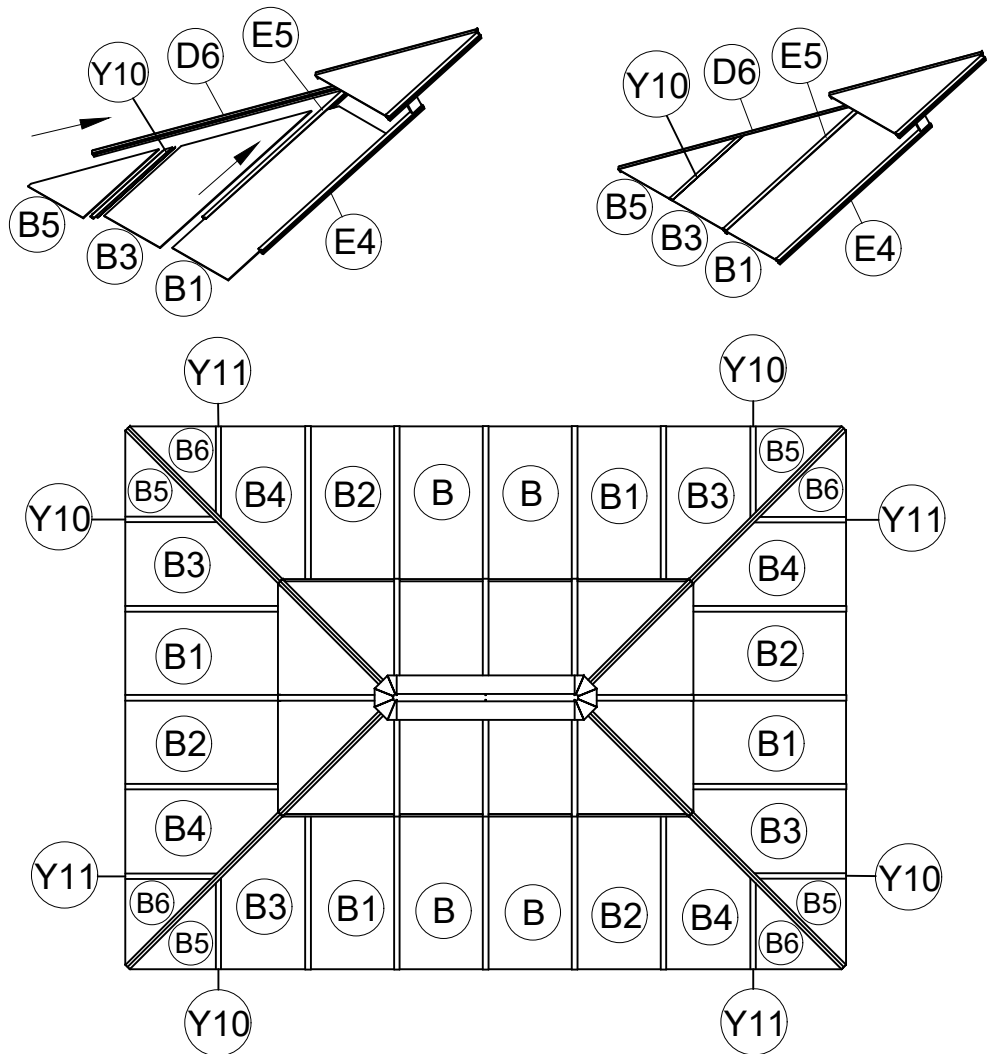
<14>

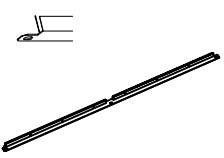
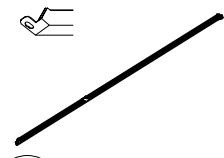
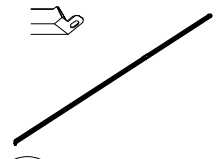



-   
Y10 4x
-   
Y11 4x
-   
B 4x
-   
B1 4x
-   
B2 4x
-   
B3 4x
-   
B4 4x
-   
B5 4x
-   
B6 4x
- 20



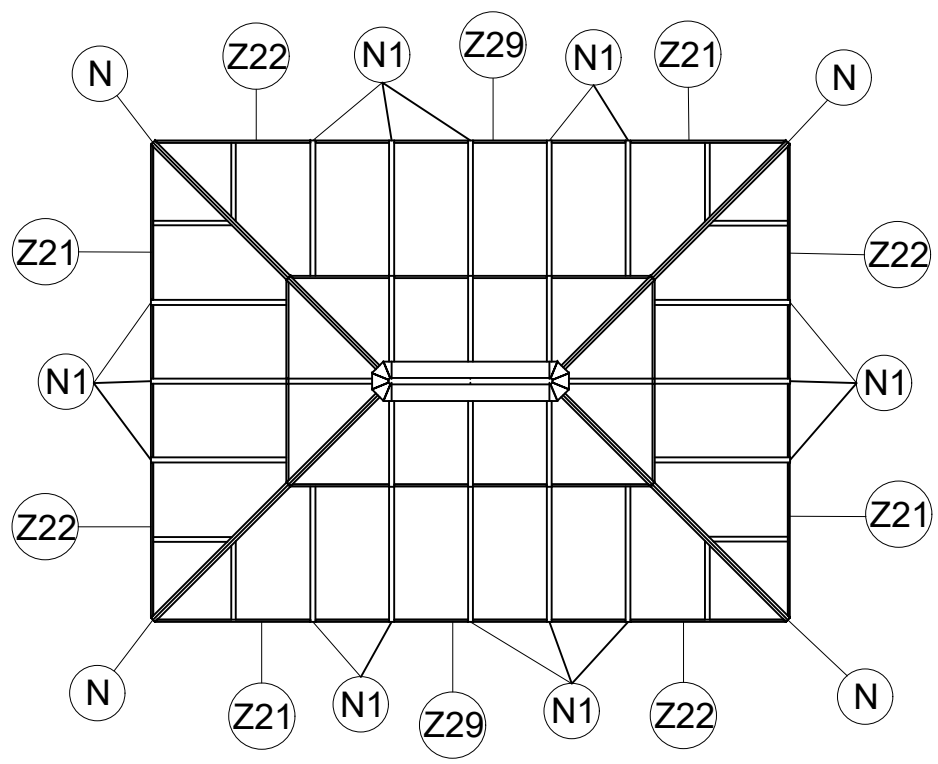
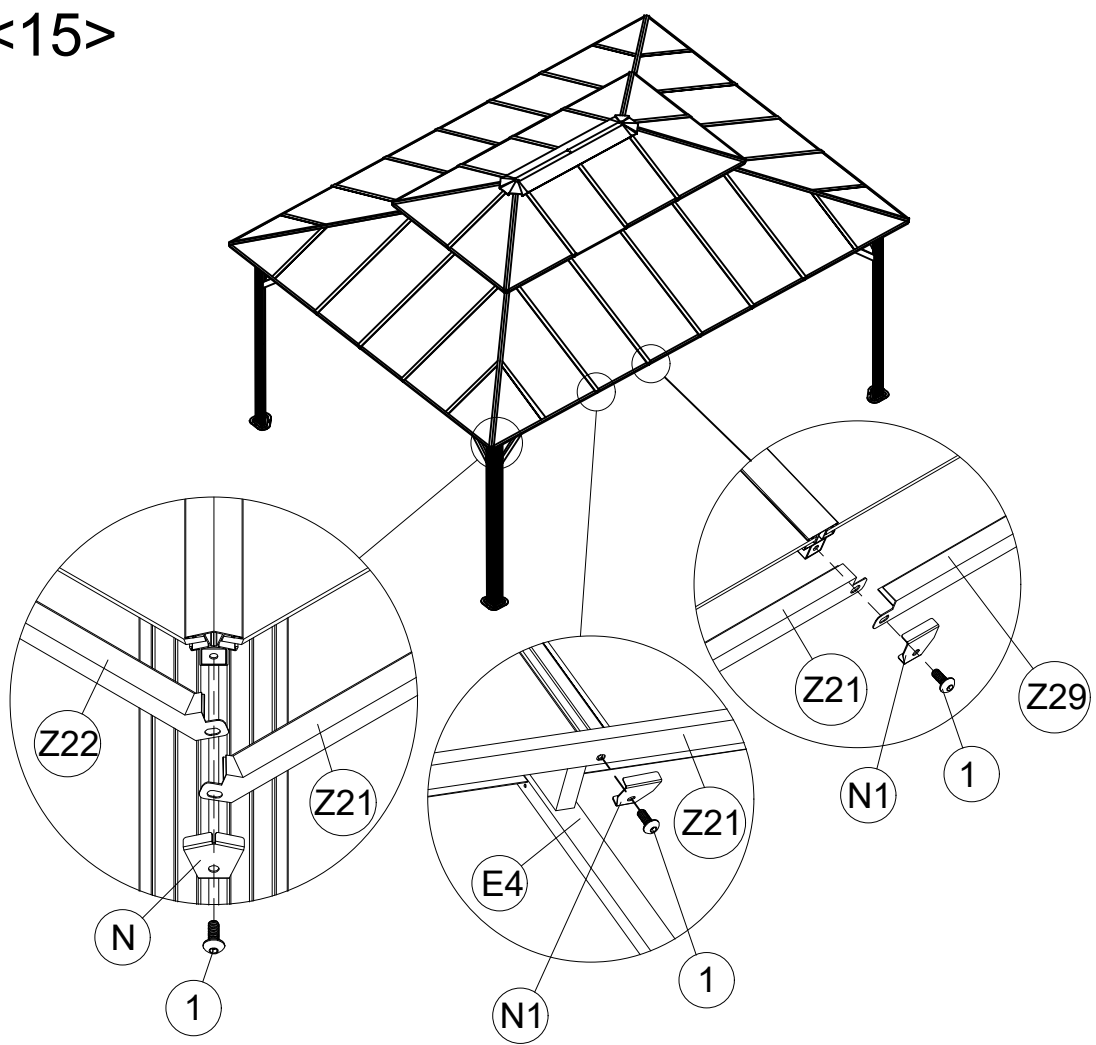
Note:

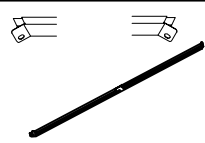
When Y10 or Y11 slide into the D6, the wide side must be face down and narrow side face up, otherwise will cause water leaking



-  **Z29** 2x
-  **Z21** 4x
-  **Z22** 4x
-  **N** 4x
-  **N1** 16x
-  **1** 20x  
M6x15

<15>





Z26 2x



Z27 2x



Z28 2x



Z29 2x

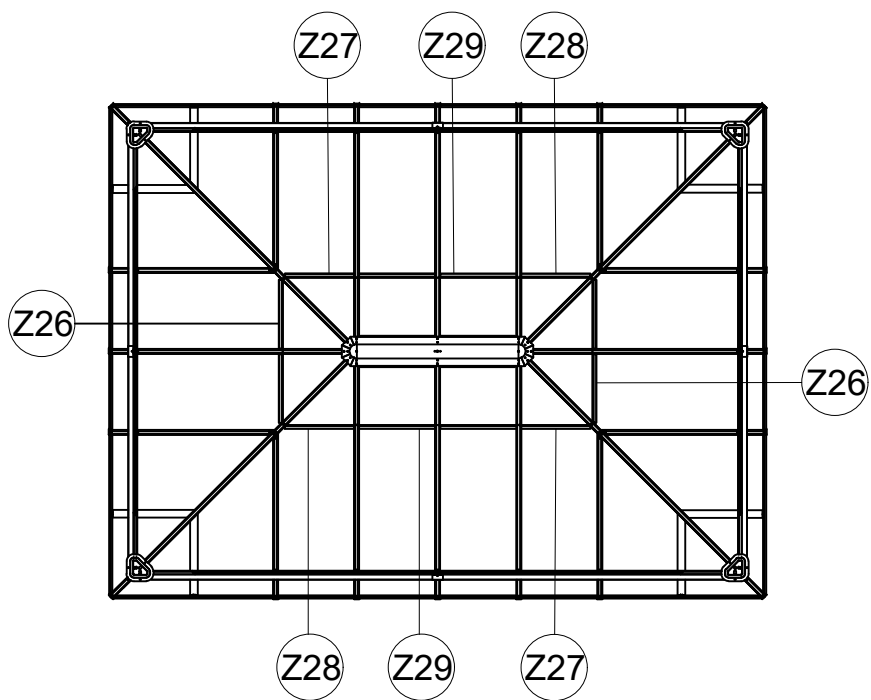
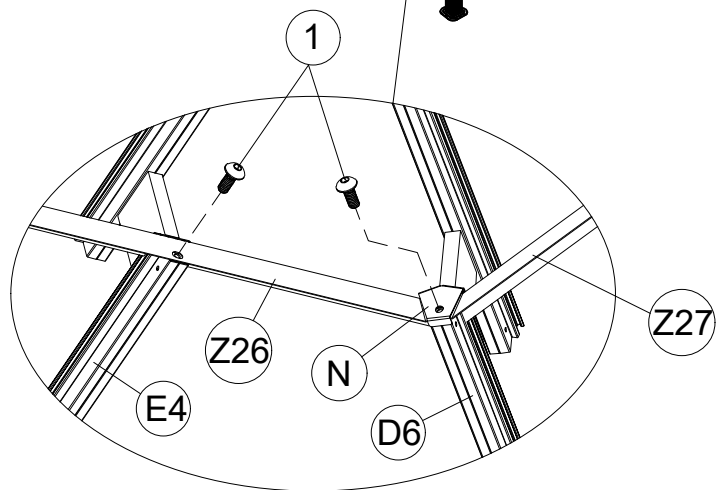
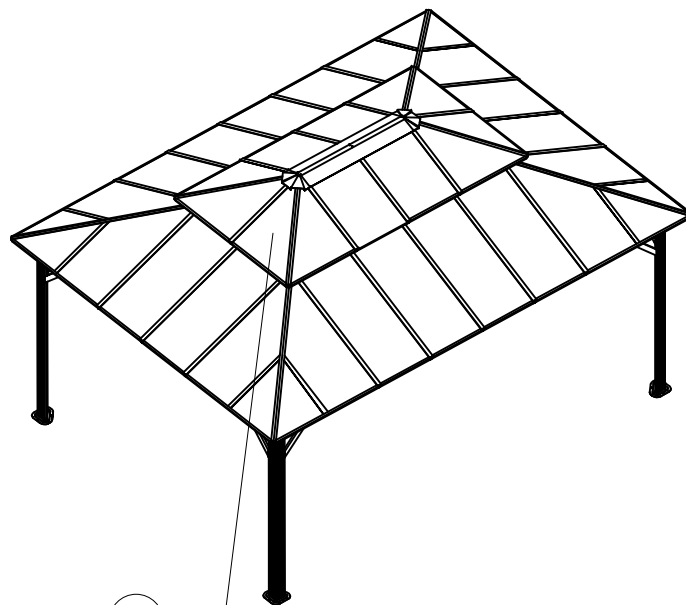


N 4x

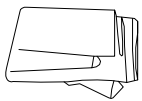


1 12x M6x15

<16>

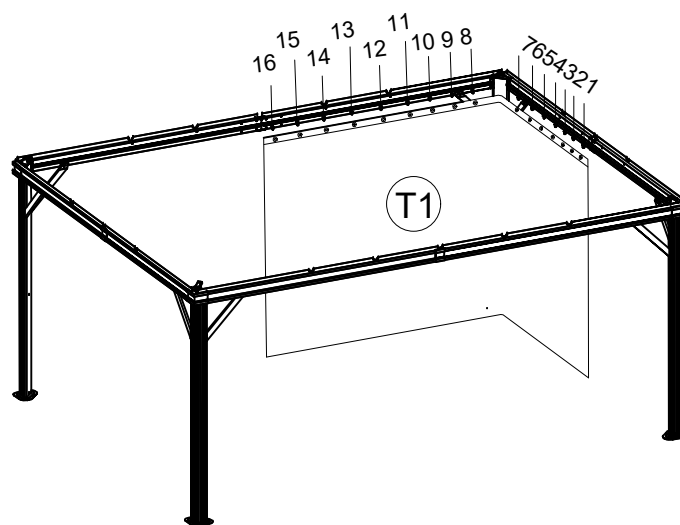
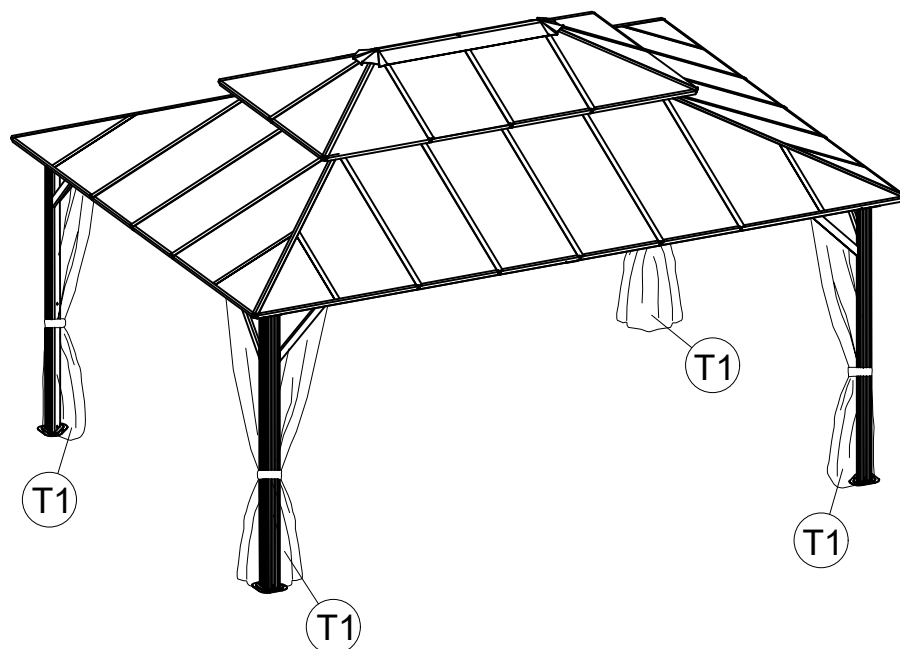
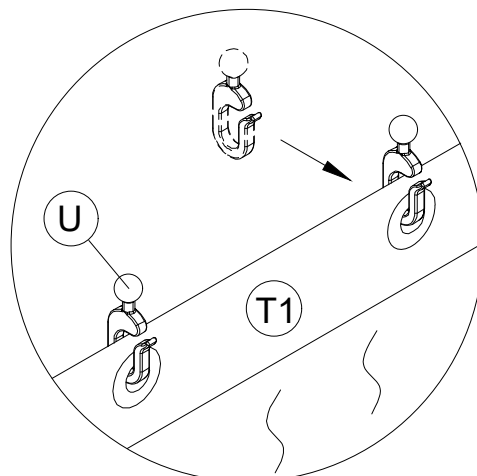
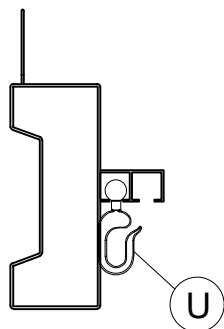


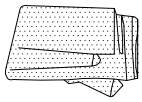
Upward view of the roof



<17>

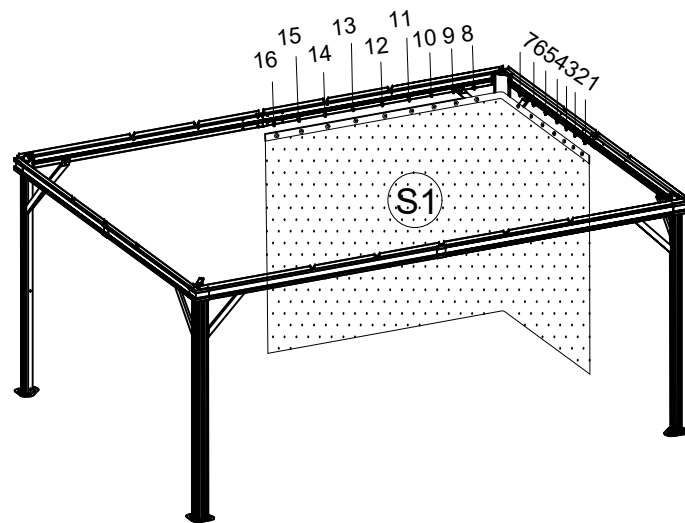
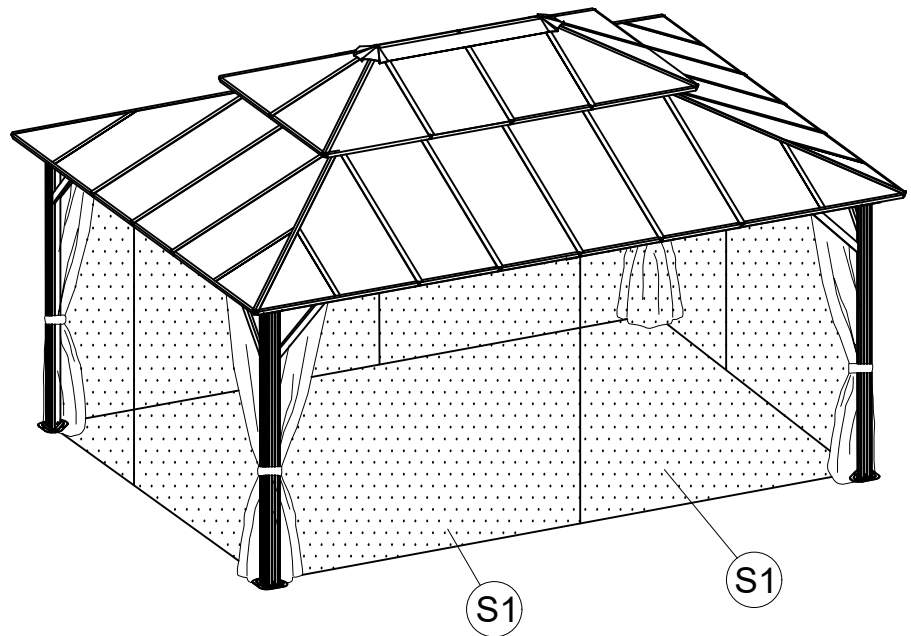
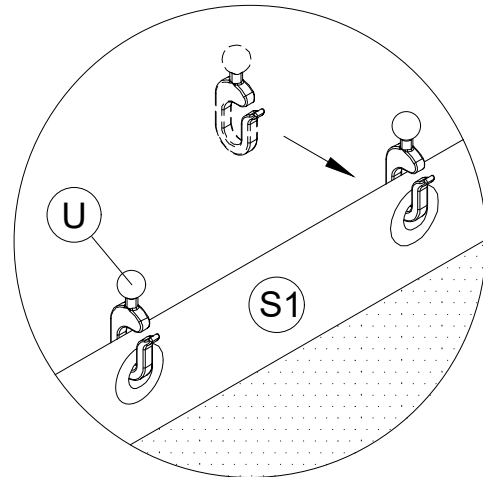
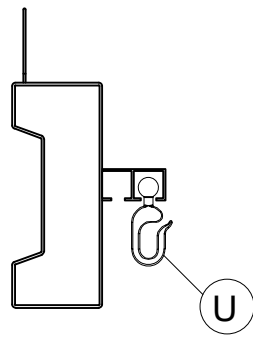
T1 4x





<18>

S1 4x

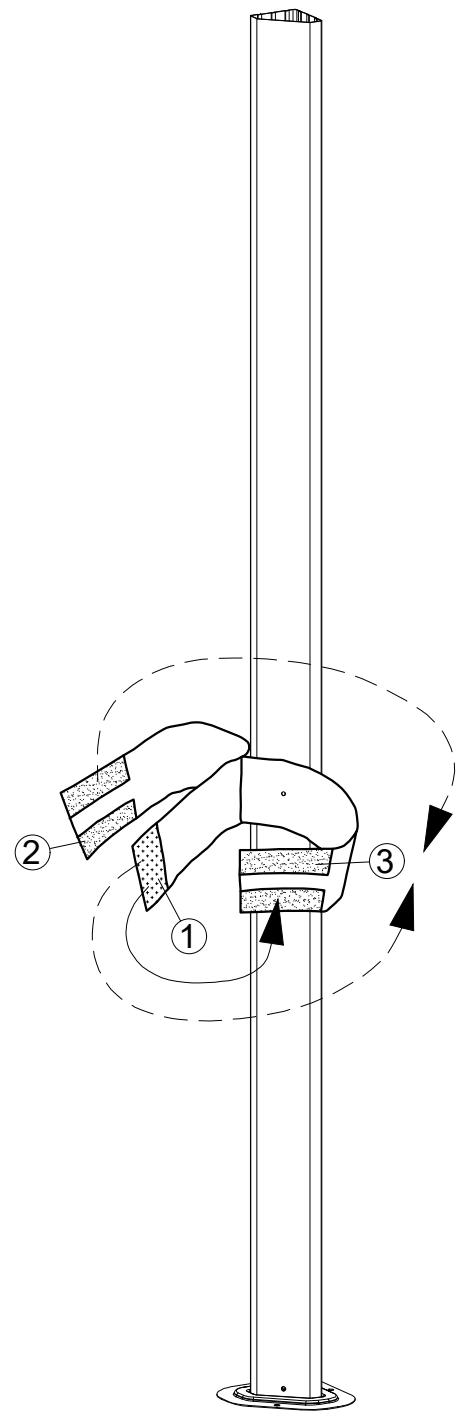
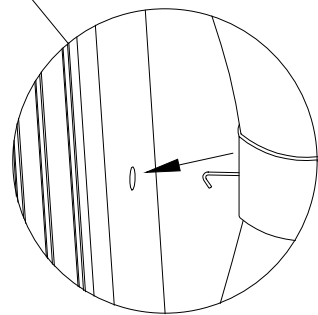
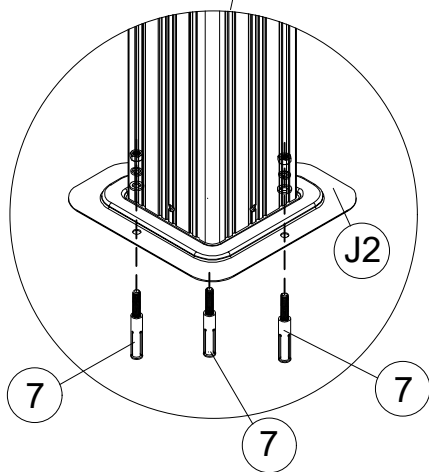
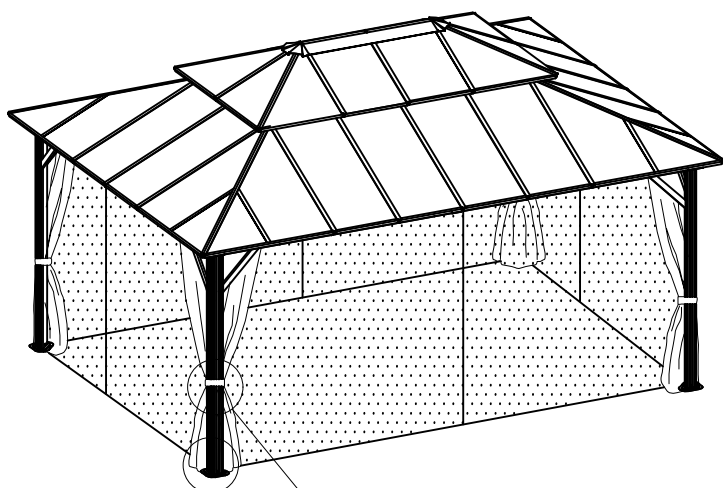






<19>

7 12x



- Note:
1. 1 stick 2 tie S1 and T1 together
  2. 1 stick 3 towards back tie T1
  3. 1 stick 3 towards front tie S1