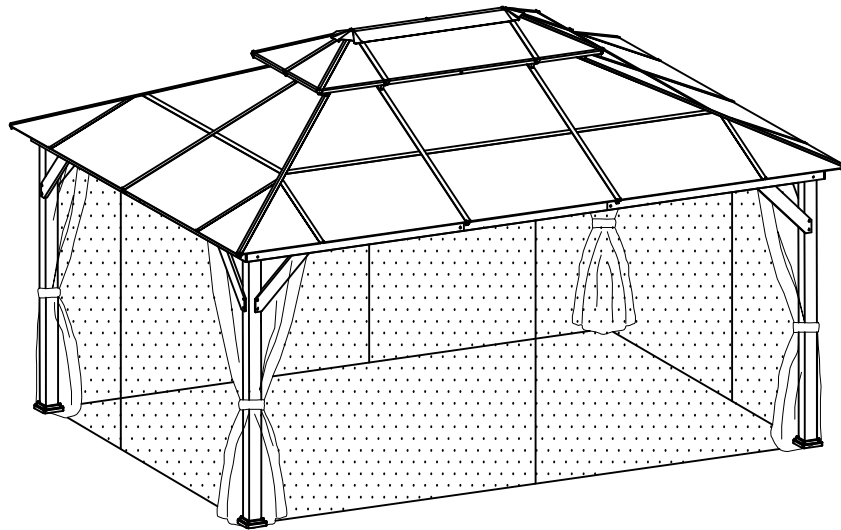


# 12 x 16 FT



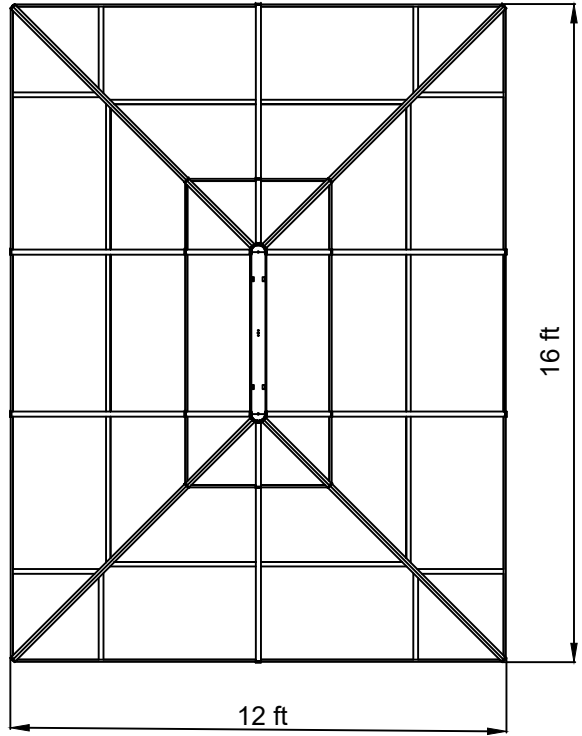
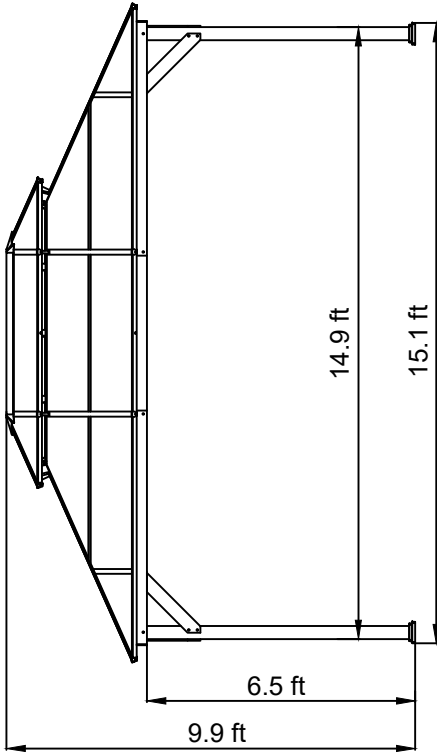
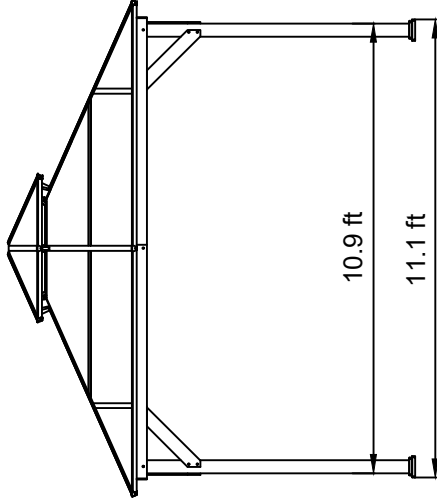
JFG007

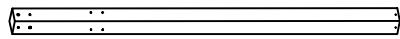


At least need 4 people work together

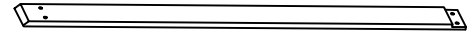
## REQUIRED TOOLS



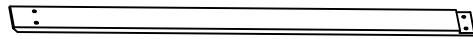




100 4x



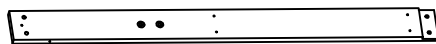
101 6x



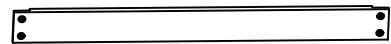
102 2x



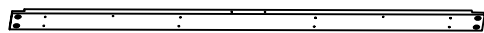
103 4x



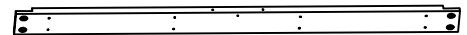
104 4x



105 2x



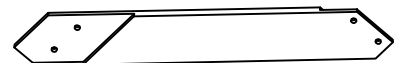
106 2x



107 2x



10 4x



11 4x



A 4x

23-B001



B 4x

23-B002



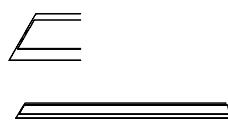
C 6x

23-B003



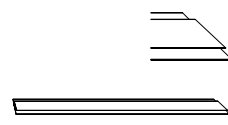
D 2x

23-B004



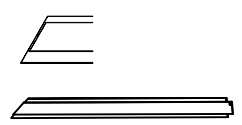
D1 4x

23-B005



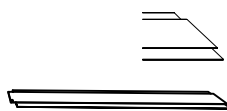
D2 4x

23-B006



D3 4x

23-B007



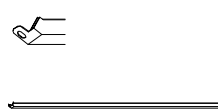
D4 4x

23-B008



E 4x

23-B009



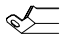



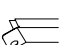
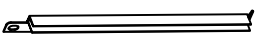

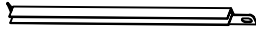
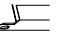








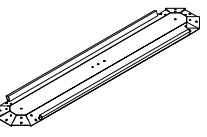
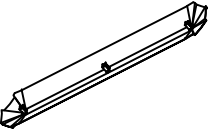
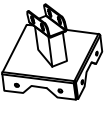



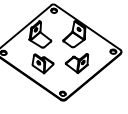

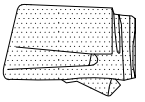
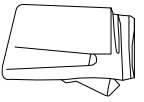

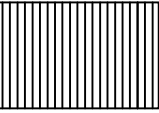
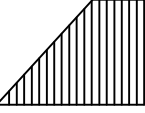
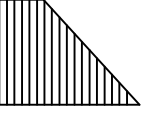
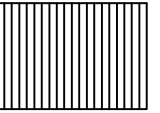
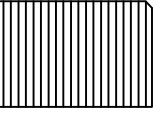
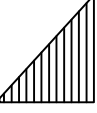
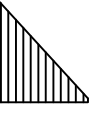
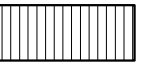
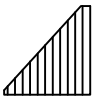
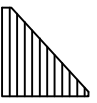
E1 4x

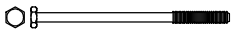

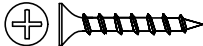

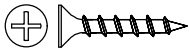

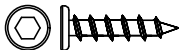




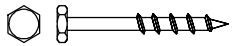



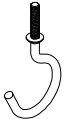
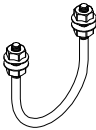




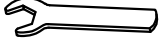
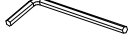

23-B010



E2 4x

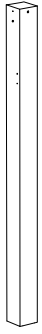
23-B011

|  |  |  |  |
|--|--|--|--|
| <br> | <br> | <br> | <br> |
| <b>E3</b> 4x 23-B012   | <b>E4</b> 4x 23-B013   | <b>E5</b> 4x 23-B014   | <b>E6</b> 4x 23-B015   |
| <br> | <br> | <br> |   |
| <b>E7</b> 2x 23-B016   | <b>G</b> 4x 23-B017  | <b>G1</b> 4x 23-B018   | <b>H</b> 2x 23-B019  |
|   |   |    |   |
| <b>H1</b> 2x 23-B020   | <b>H2</b> 2x 23-B021   | <b>L1</b> 1x   | <b>M1</b> 1x   |
|    |    |    |    |
| <b>J</b> 4x  | <b>K</b> 6x  | <b>N</b> 12x   | <b>N1</b> 12x  |
|   |   |    |   |
| <b>P</b> 4x  | <b>P1</b> 4x   | <b>X</b> 4x  | <b>Y</b> 4x  |
|   |   |    |   |
| <b>R</b> 112x  | <b>S</b> 4x  | <b>S1</b> 4x   | <b>S2</b> 4x   |
|   |   |   |   |
| <b>S3</b> 4x   | <b>S4</b> 4x   | <b>S5</b> 4x   | <b>S6</b> 4x   |
|   |   |   |  |
| <b>T</b> 2x  | <b>T1</b> 4x   | <b>T2</b> 4x   |  |

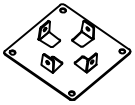
|  |   |  |   |
|--|---|--|---|
| <br>M10*165<br><b>AA</b> 8x | <br>M6<br><b>BB</b> 16x      | <br>M5*40<br><b>CC</b> 72x | <br>M6<br><b>DD</b> 18x        |
| <br>M5*30<br><b>EE</b> 54x  | <br>M8*35<br><b>HH</b> 16x   | <br>M8*35<br><b>II</b> 16x | <br>M8*25<br><b>KK</b> 28x     |
| <br>M10<br><b>LL</b> 8x     | <br>M8<br><b>MM</b> 16x      | <br>M10<br><b>NN</b> 24x  | <br>M10*80<br><b>OO</b> 8x     |
| <br>M6x15<br><b>QQ</b> 59x  | <br>M5x15<br><b>SS</b> 12x   | <br>M6x35<br><b>TT</b> 8x | <br><b>ZZ</b> 2x              |
| <br><b>VV</b> 1x          | <br>M6x10<br><b>XX</b> 10x | <br><b>PP</b> 8x         | <br>M3 Drill<br><b>RR</b> 2x |
| <br>M6<br><b>Z1</b> 2x    | <br>M10<br><b>Z4</b> 2x    | <br>M8<br><b>Z2</b> 2x  | <br>M6<br><b>Z5</b> 2x       |
|  |   |  |   |
|  |   |  |   |



<1>



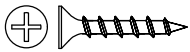
100 4x



P 4x

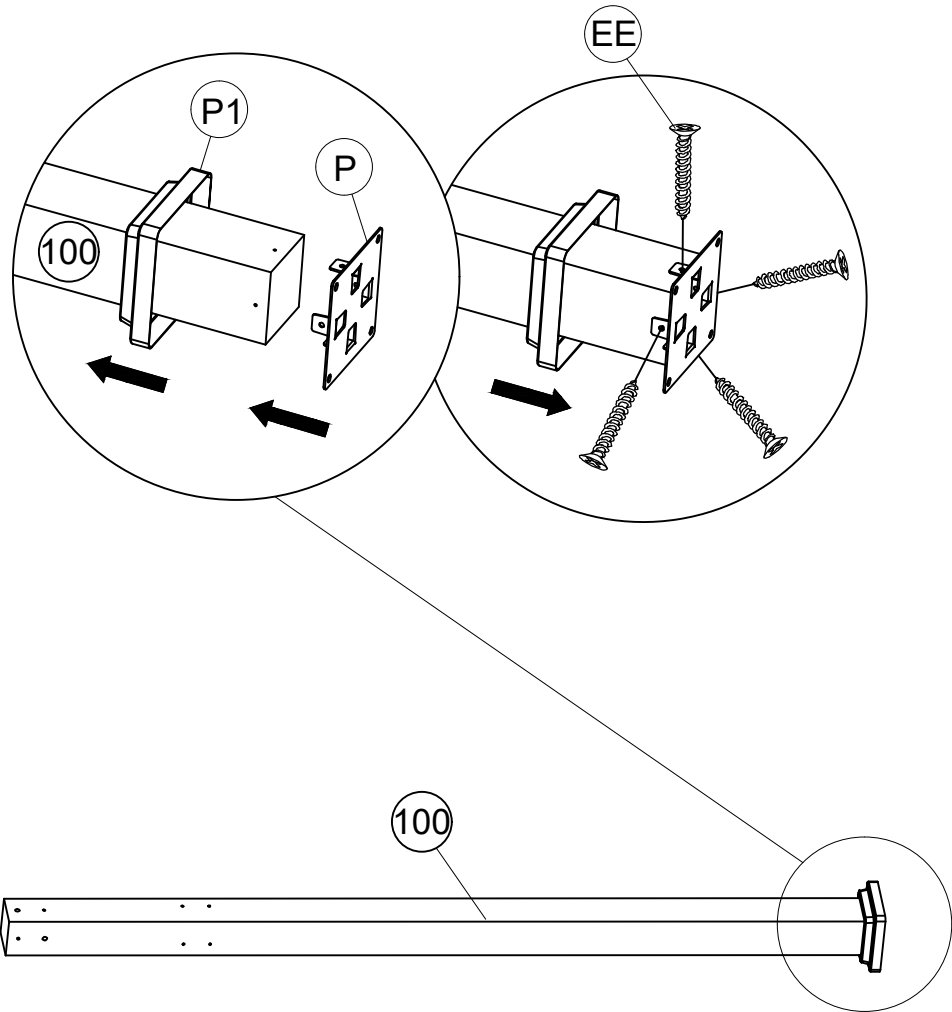


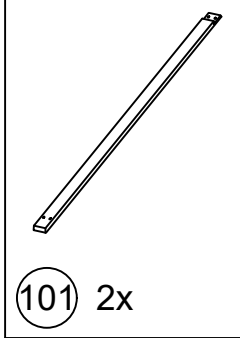
P1 4x



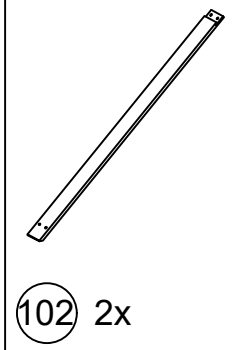
M5\*30

EE 16x

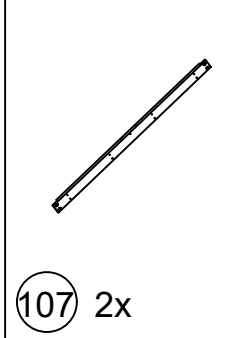




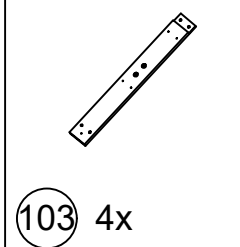
101 2x



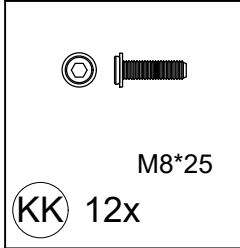
102 2x



107 2x

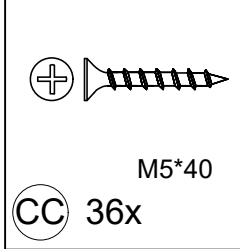


103 4x



M8\*25

KK 12x

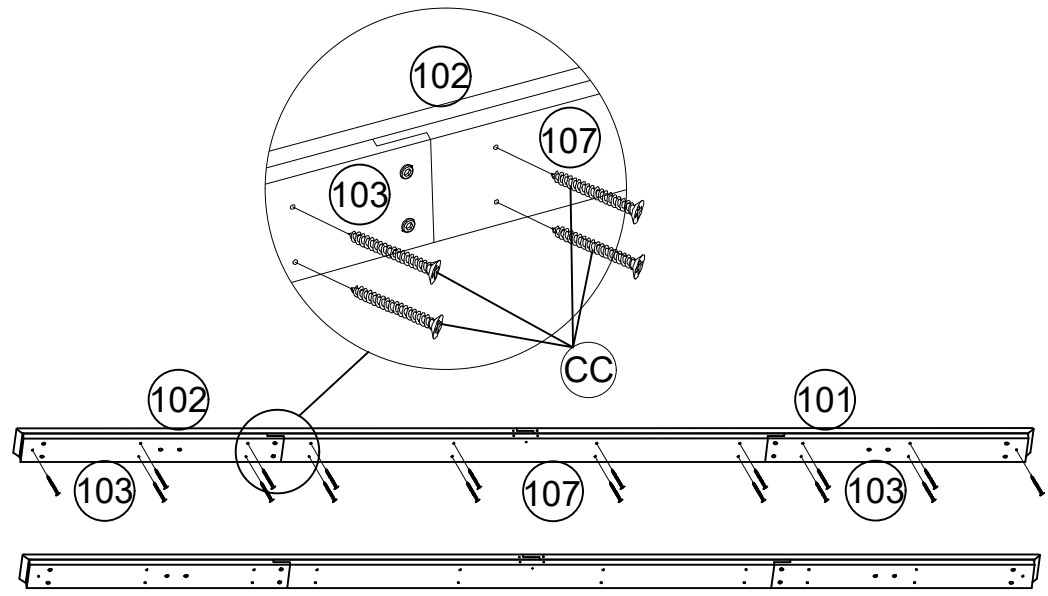
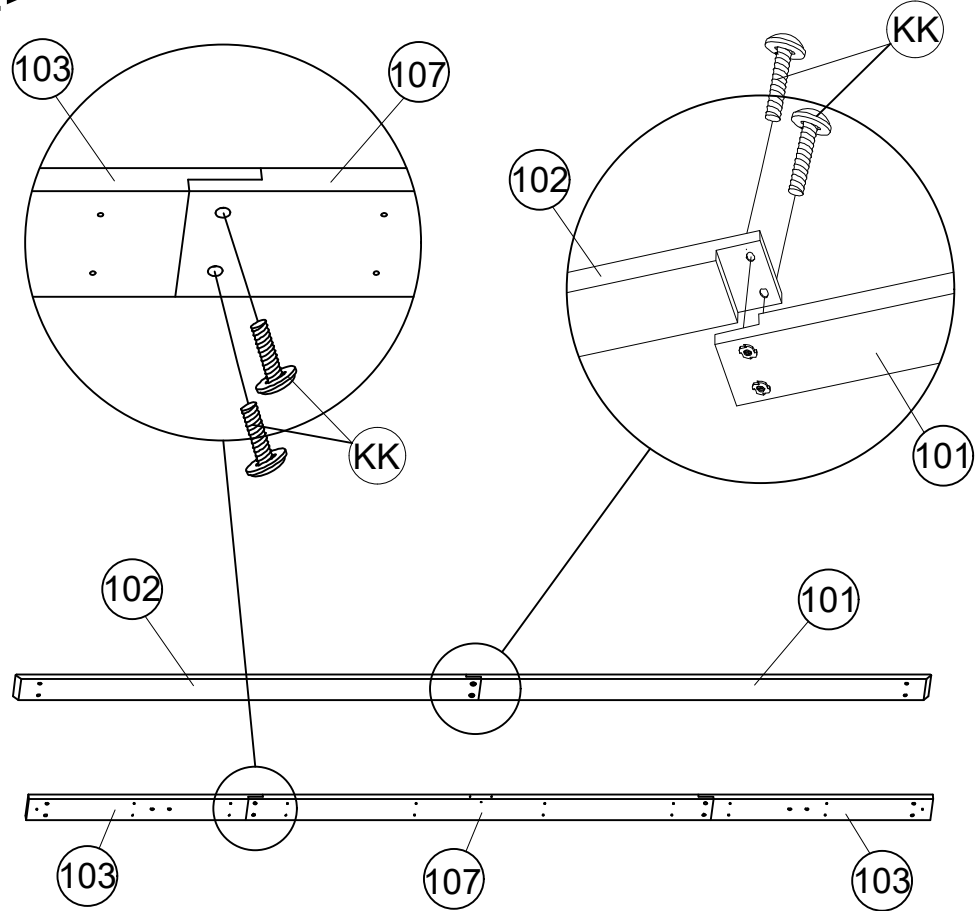


M5\*40

CC 36x

8

<2>

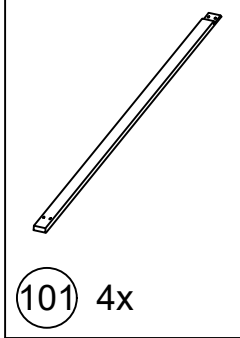


Connect the outer beams ( 102,101) and inner beams ( 103,107) separately with screw KK, and then combine the outer beams and inner beams together with self-tapping screw CC.

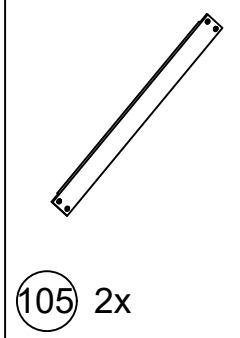
Attention:

Pay attention to the side of Beam ( 102) and Beam ( 101) when join them with Beam ( 107) and Beam ( 103) .

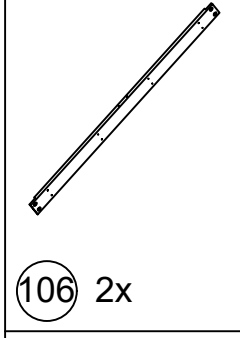




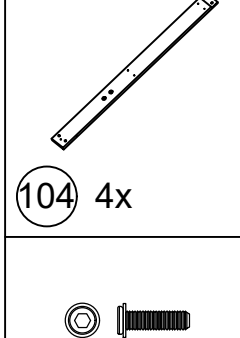
101 4x



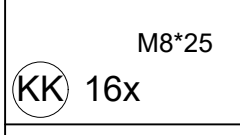
105 2x



106 2x

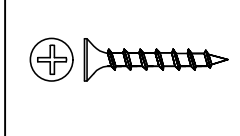


104 4x



M8\*25

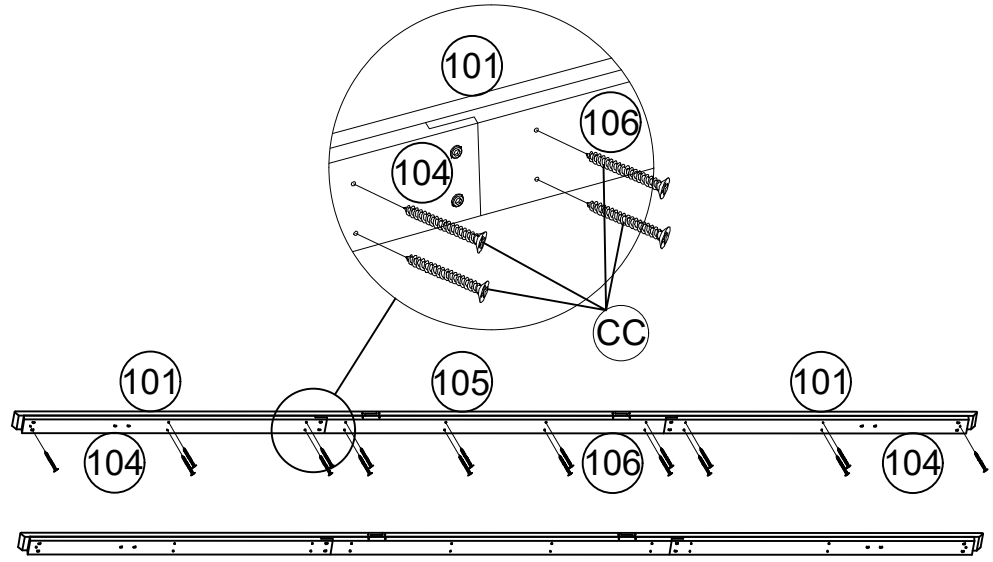
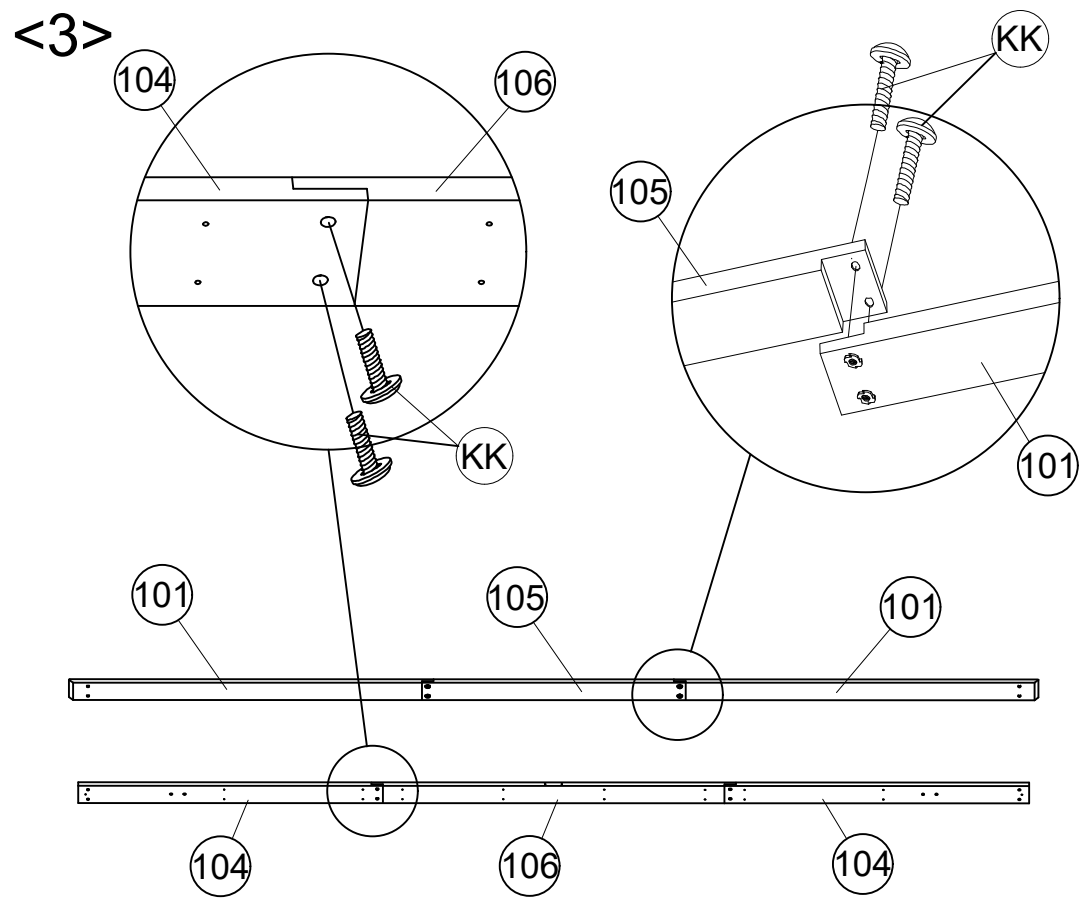
KK 16x



M5\*40

CC 36x

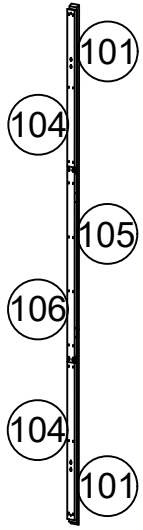
9



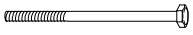
Connect the outer beams ( 101,105 ) and inner beams ( 104,106 ) separately with screw KK, and then combine the outer beams and inner beams together with self-tapping screw CC.

Attention:  
Pay attention to the side of Beam ( 101 ) and Beam ( 105 ) when join them with Beam ( 106 ) and Beam ( 104 ) .

<4>

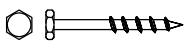


2x



M10\*165

AA 4x



M10\*80

OO 4x



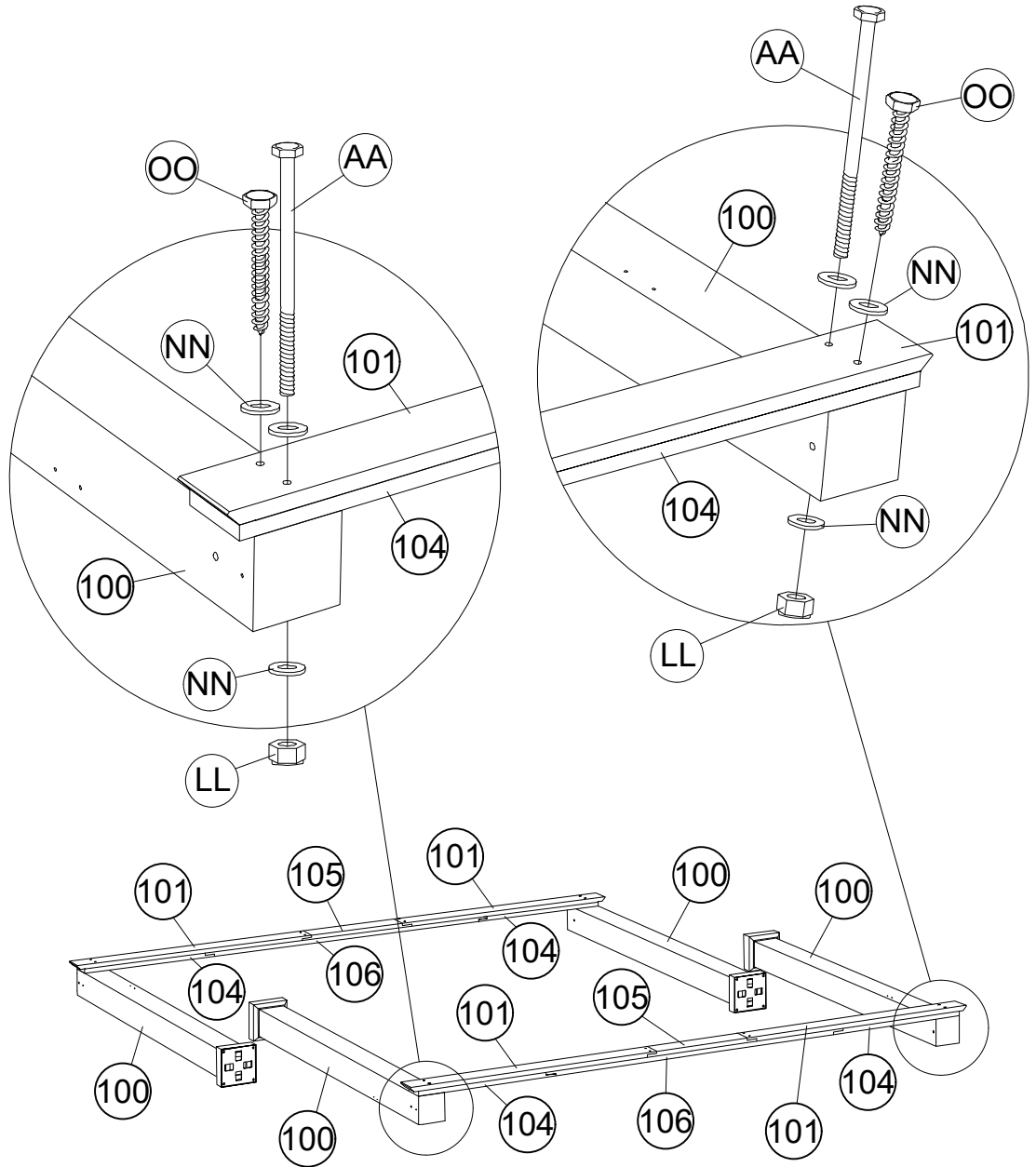
M10

NN 12x



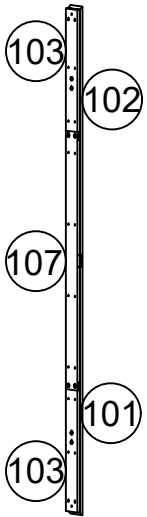
M10

LL 4x

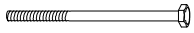


10

<5>



2x



M10\*165

AA 4x



M10\*80

OO 4x



M10

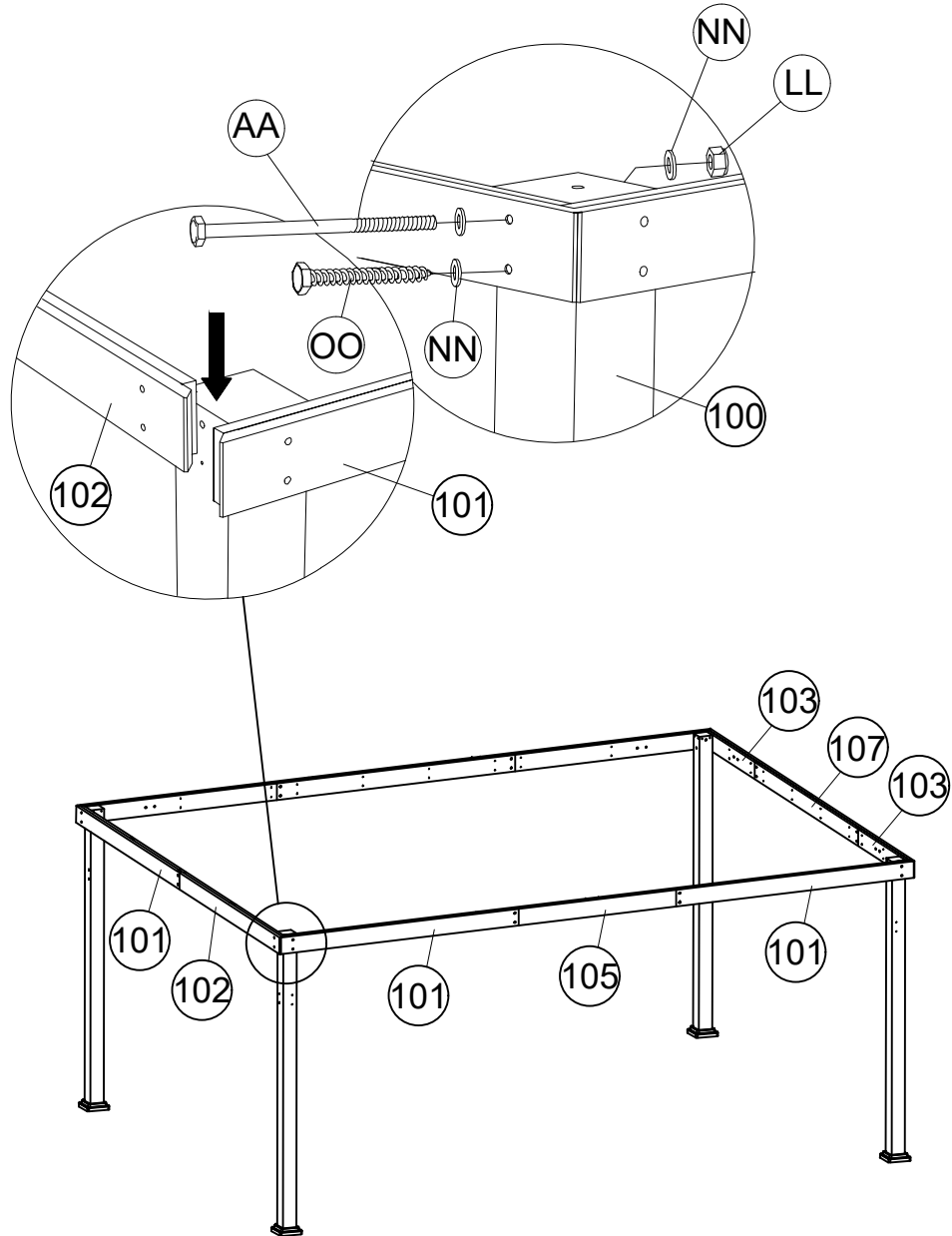
NN 12x



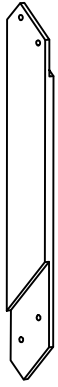
M10

LL 4x

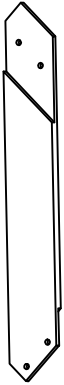
11



<6>



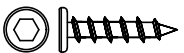
10 4x



11 4x



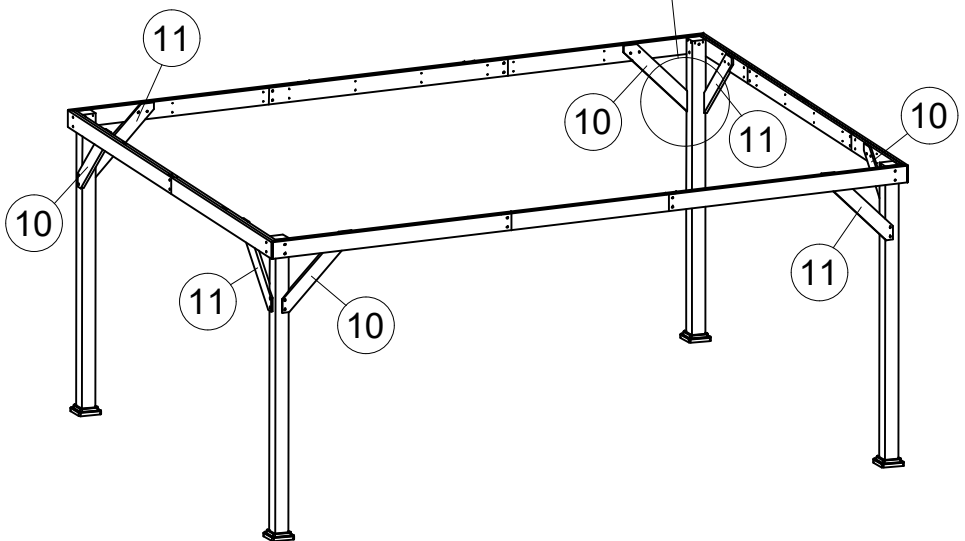
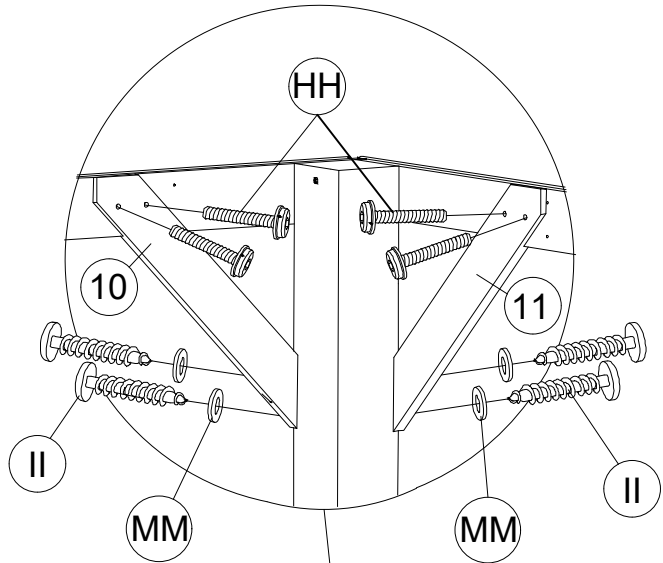
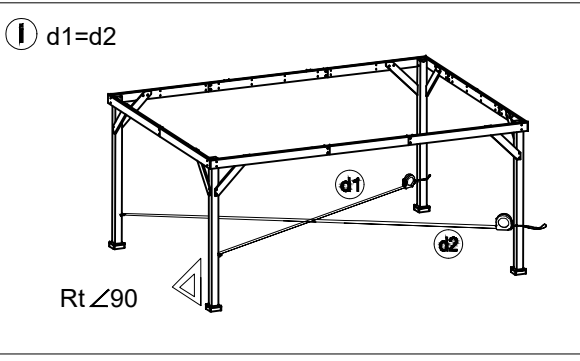
M8\*35  
HH 16x



M8\*35  
II 16x



M8  
MM 16x



12



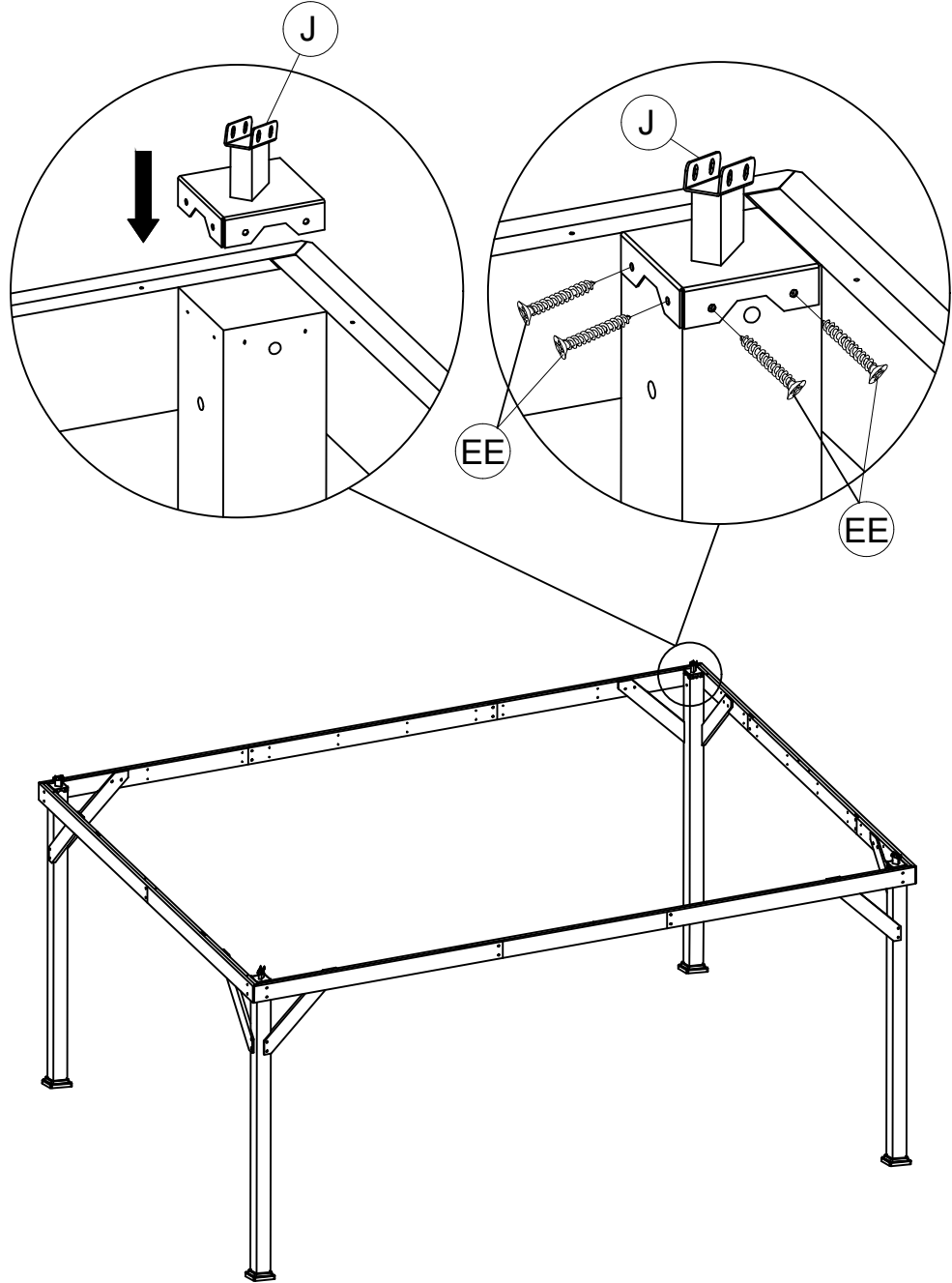
J 4x



M5\*30

EE 16x

<7>





G 4x



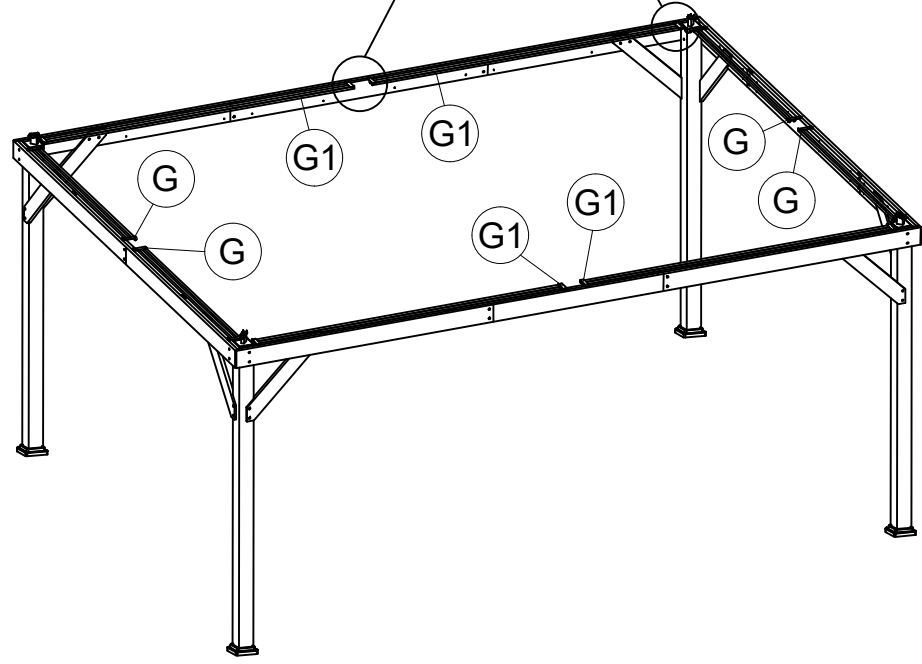
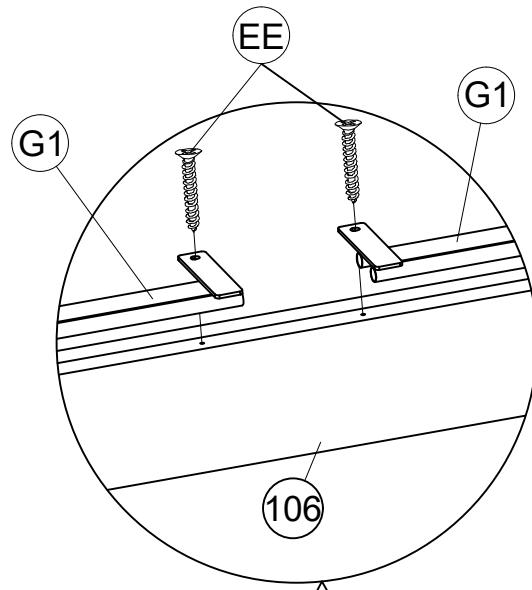
G1 4x

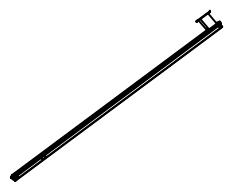


M5\*30

EE 16x

<8>

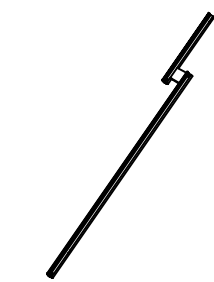




A 4x

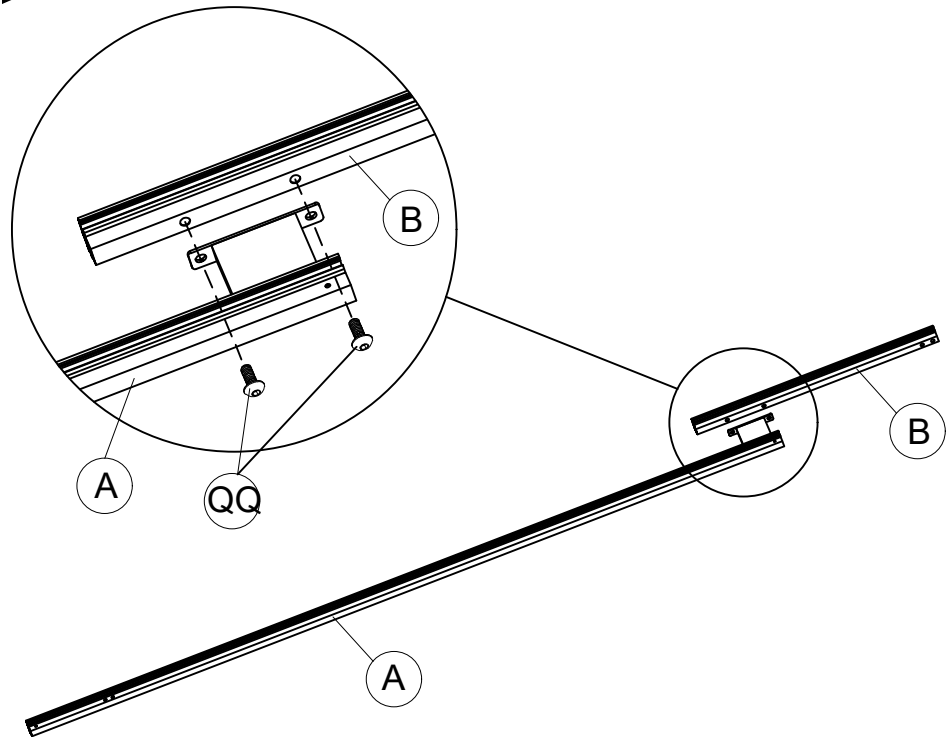


B 4x



C 6x

<9>



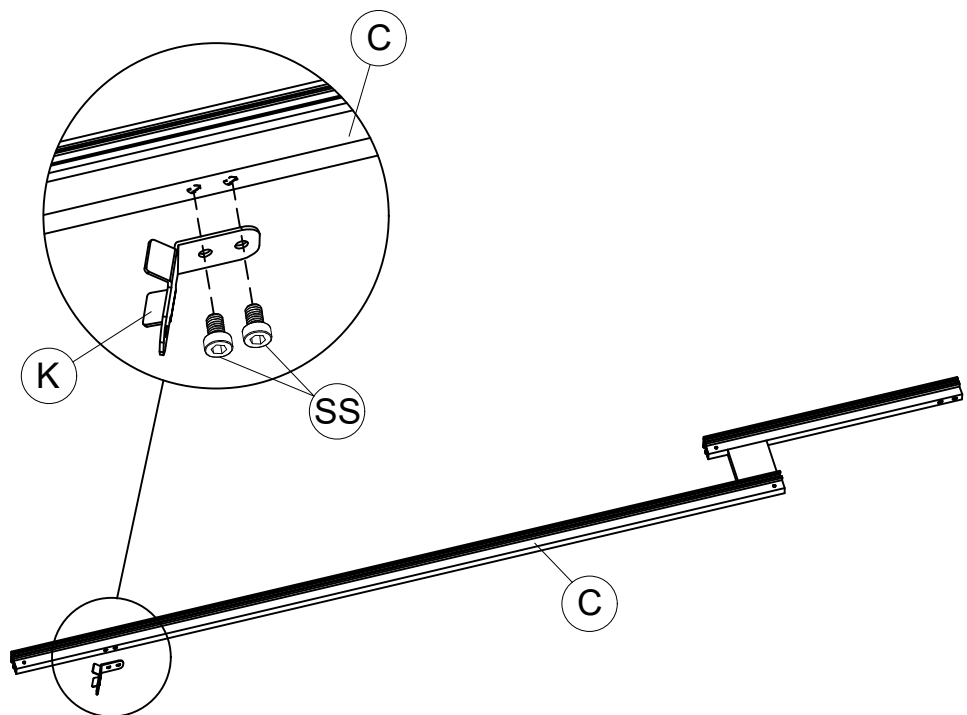
K 6x



QQ 8x  
M6x15

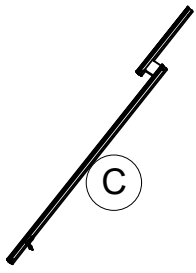


SS 12x  
M5x15

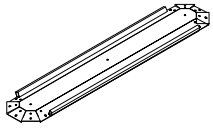


15

<10>



4x

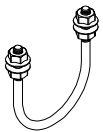


L1 1x

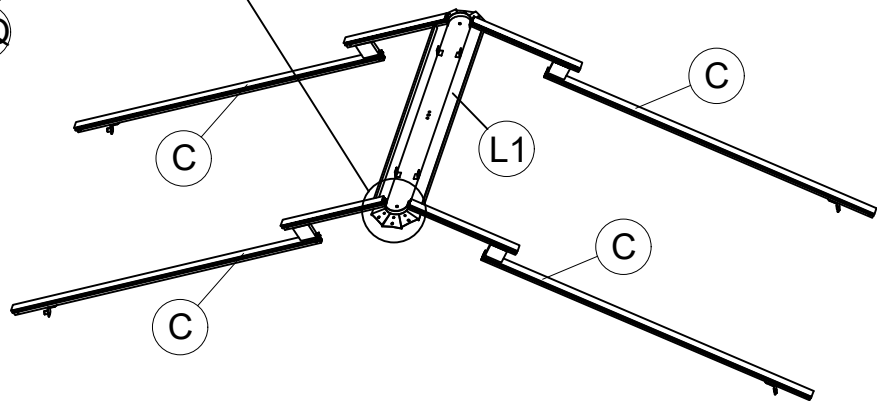
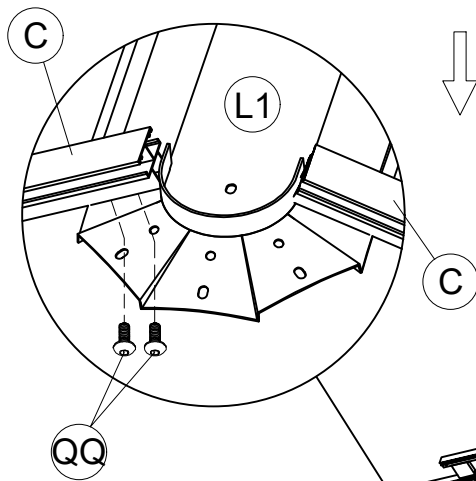
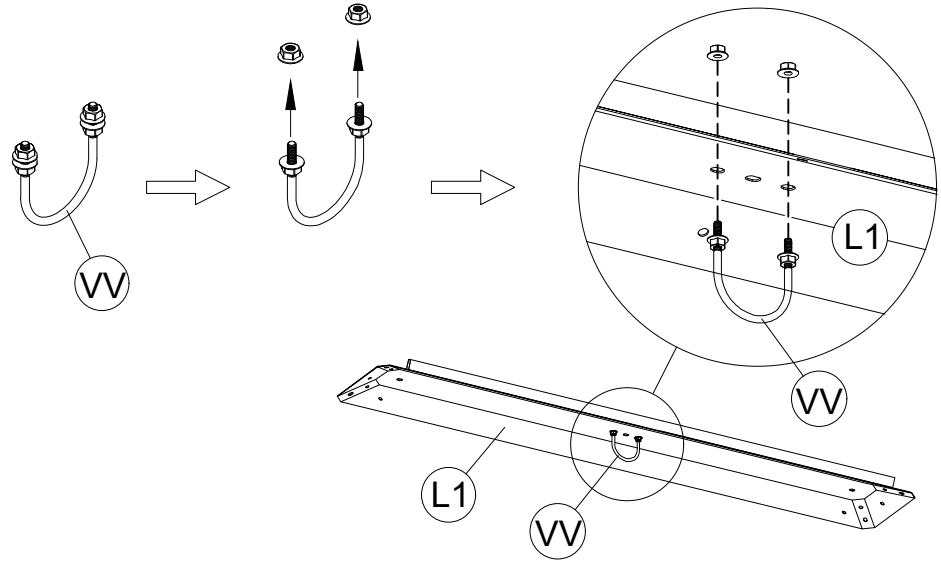


M6x15

QQ 8x

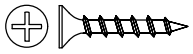


VV 1x



16

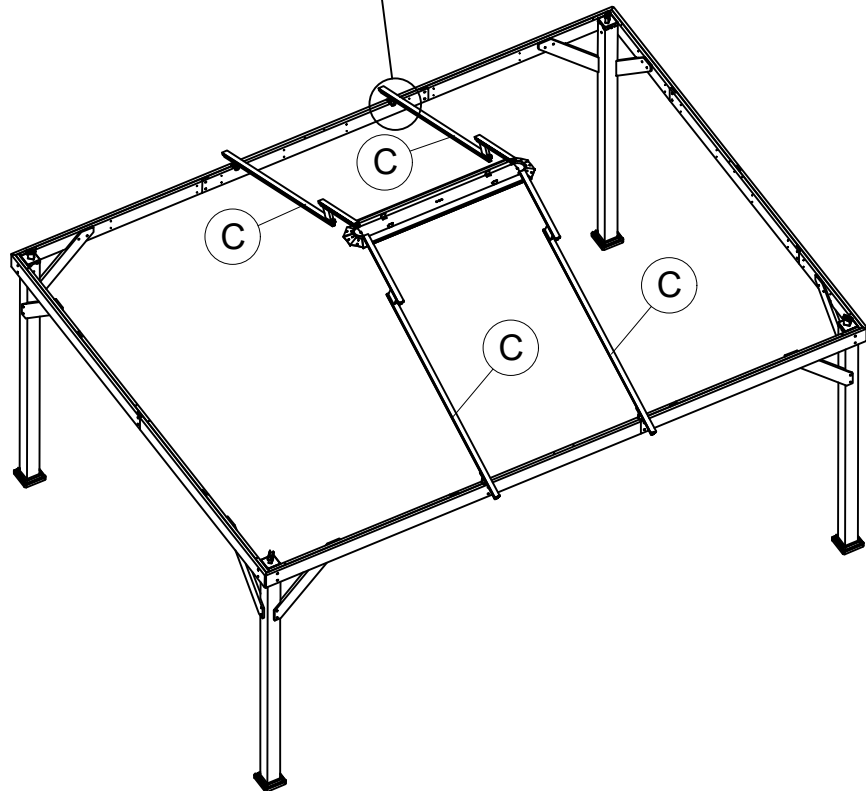
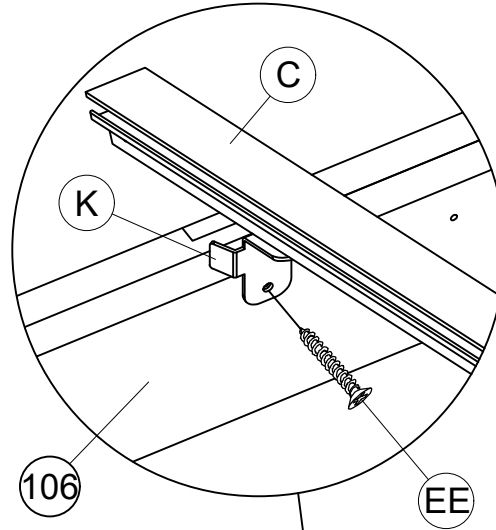




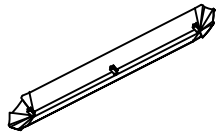
M5\*30

EE 4x

<11>







M1 1x



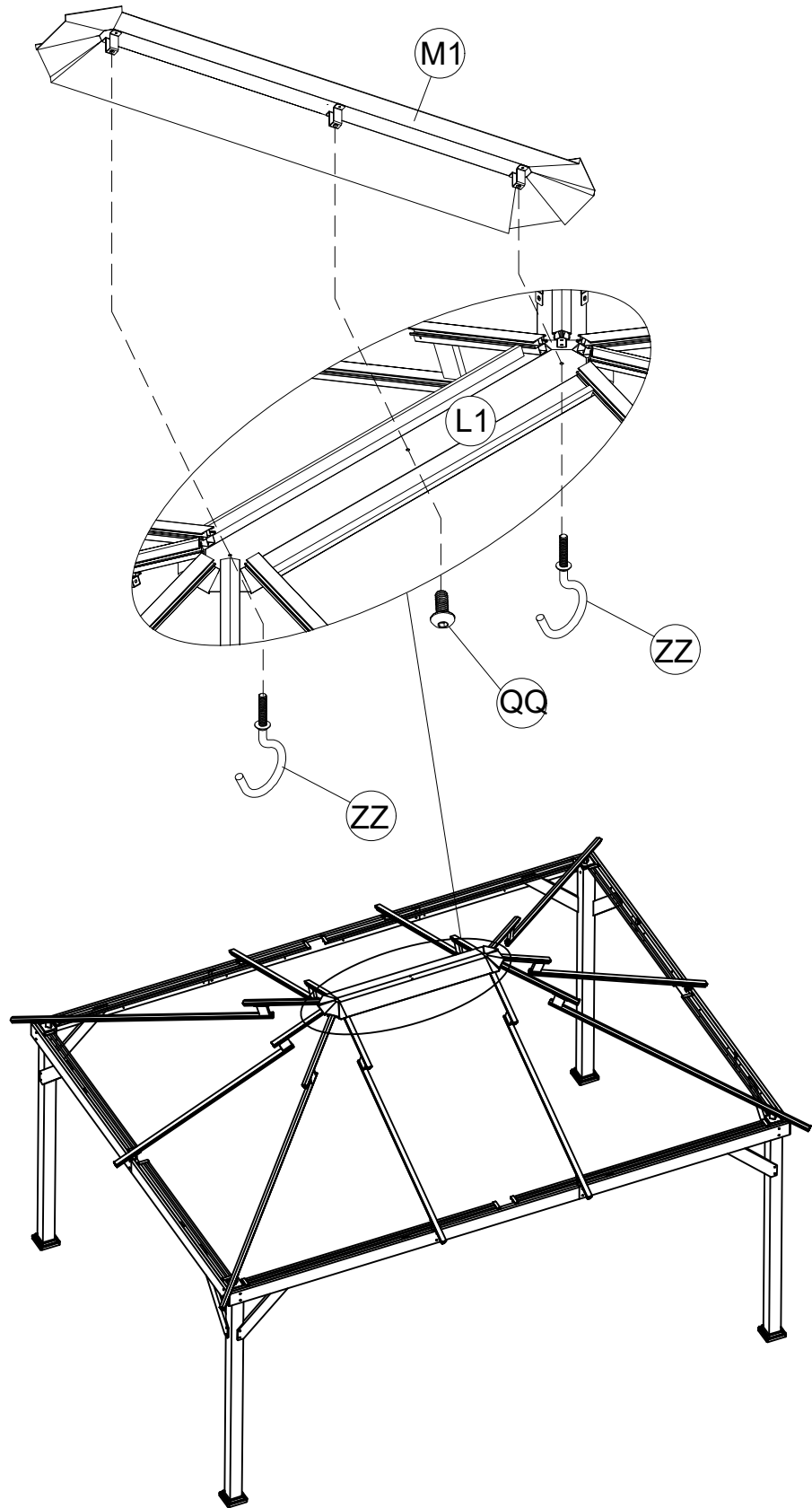
M6x15

QQ 1x



ZZ 2x

<13>

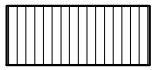




T1 4x

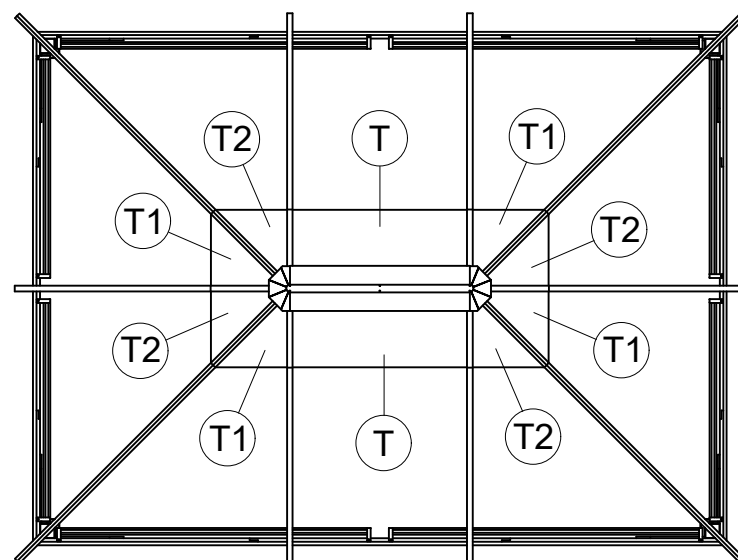
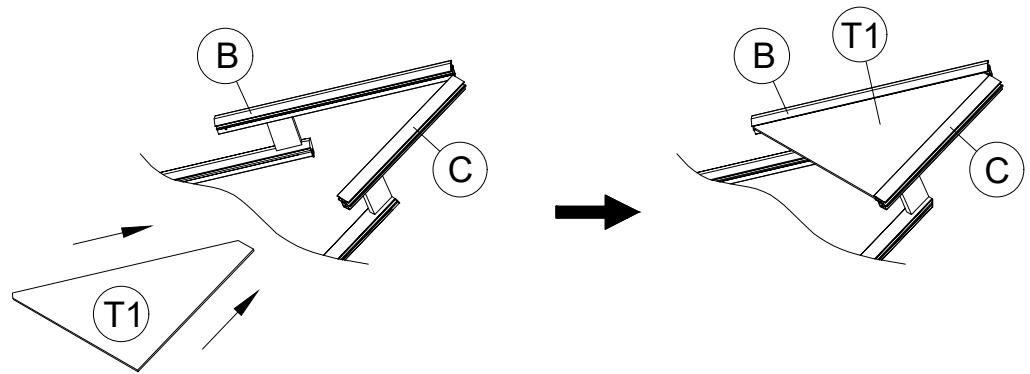
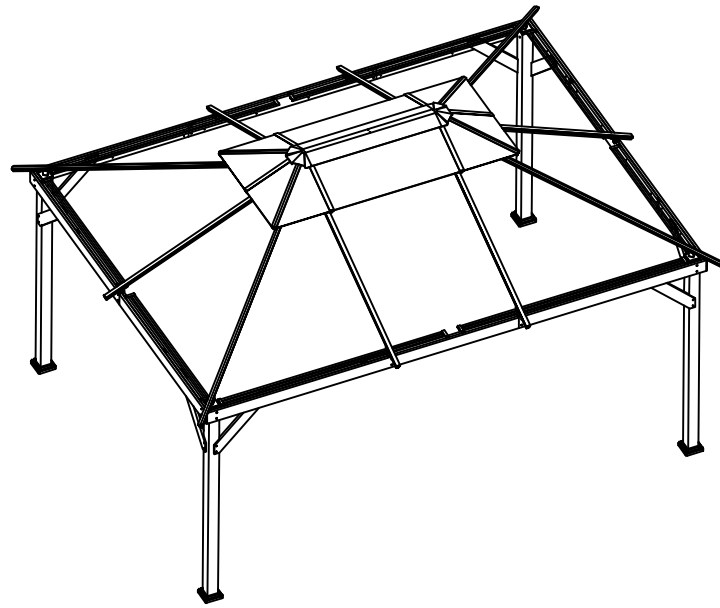


T2 4x

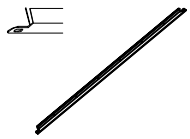


T 2x

<14>



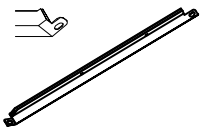
<15>



E 2x



E3 4x



E4 4x



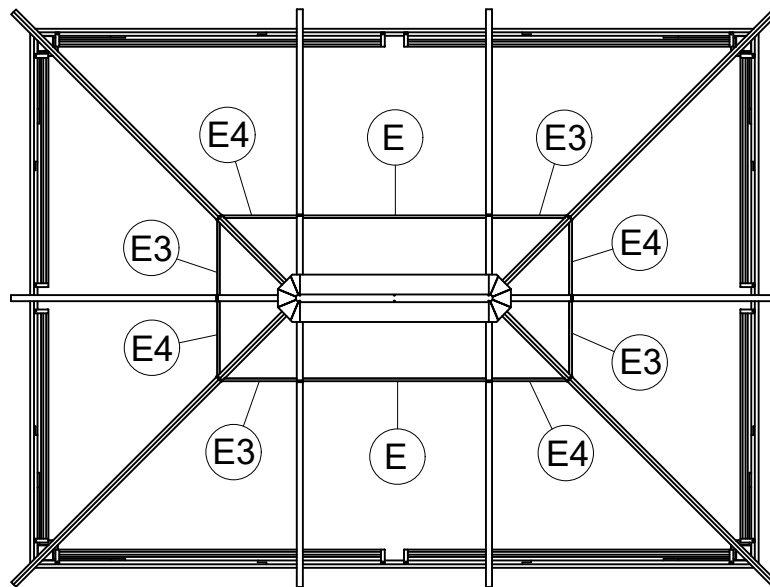
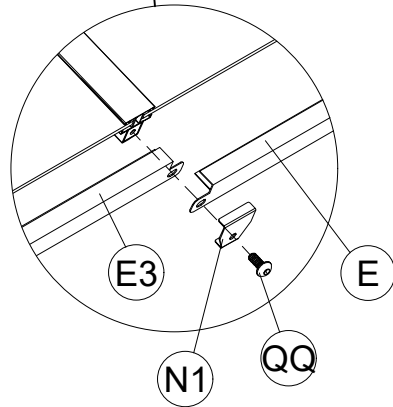
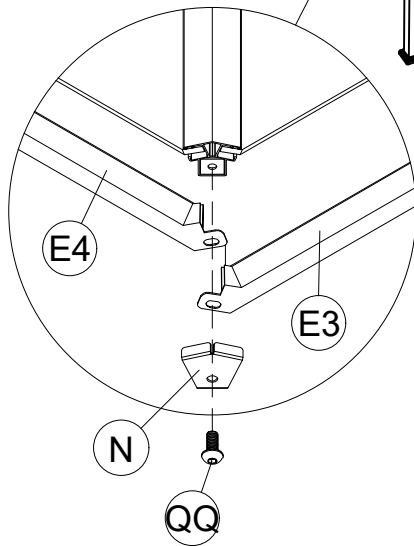
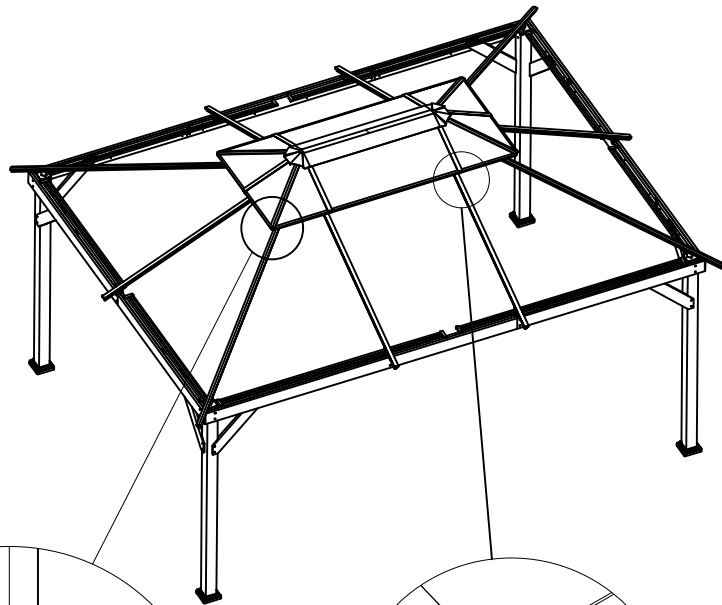
N 4x



N1 6x

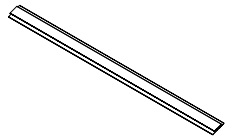


QQ M6x15 10x

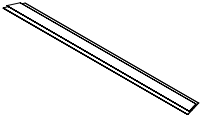


21

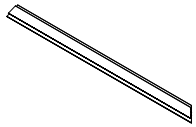
<16>



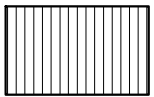
D 2x



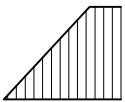
D1 4x



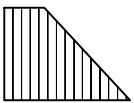
D2 4x



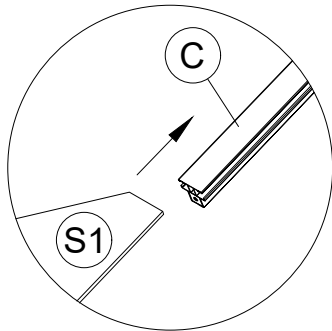
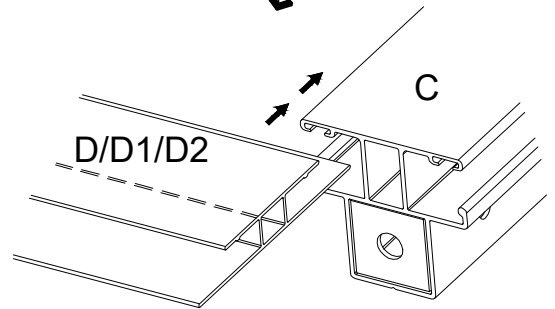
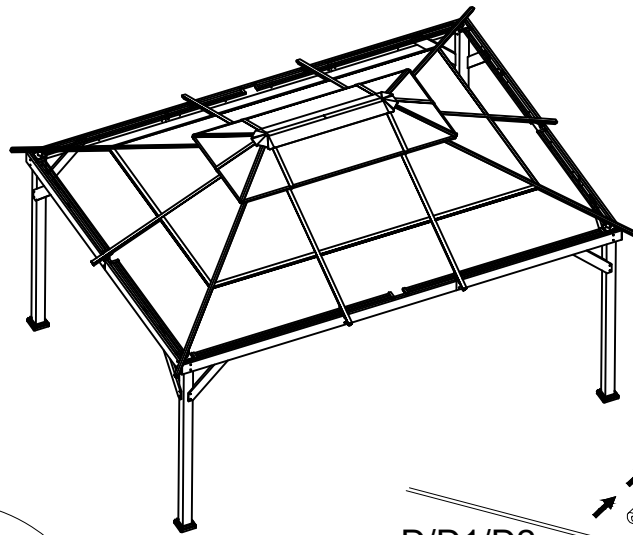
S 2x



S1 4x

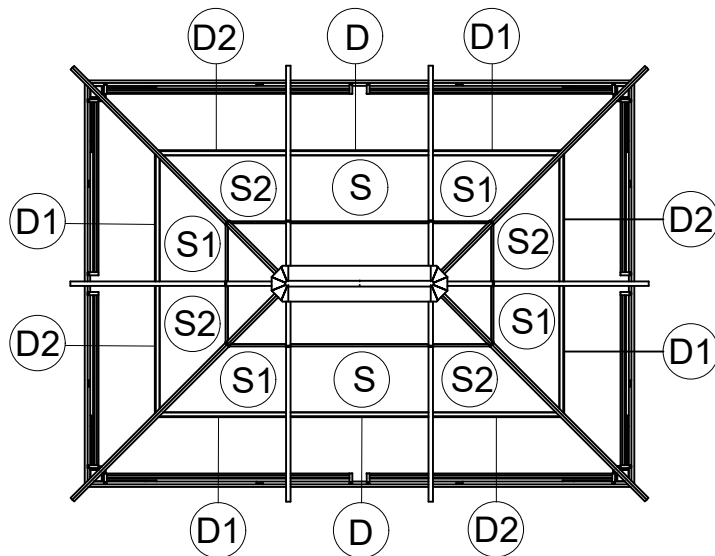
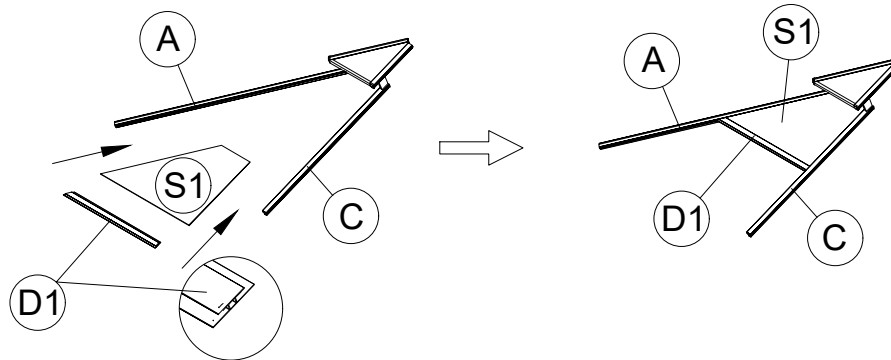


S2 4x

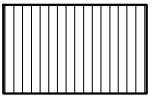


Note:

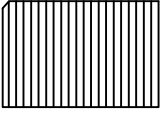
When D1 or D2 or D slide into the C, the wide side must be face down and narrow side face up, otherwise will cause water leaking



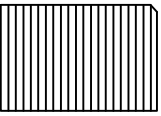
<17>



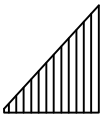
S 2x



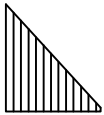
S3 4x



S4 4x



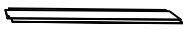
S5 4x



S6 4x

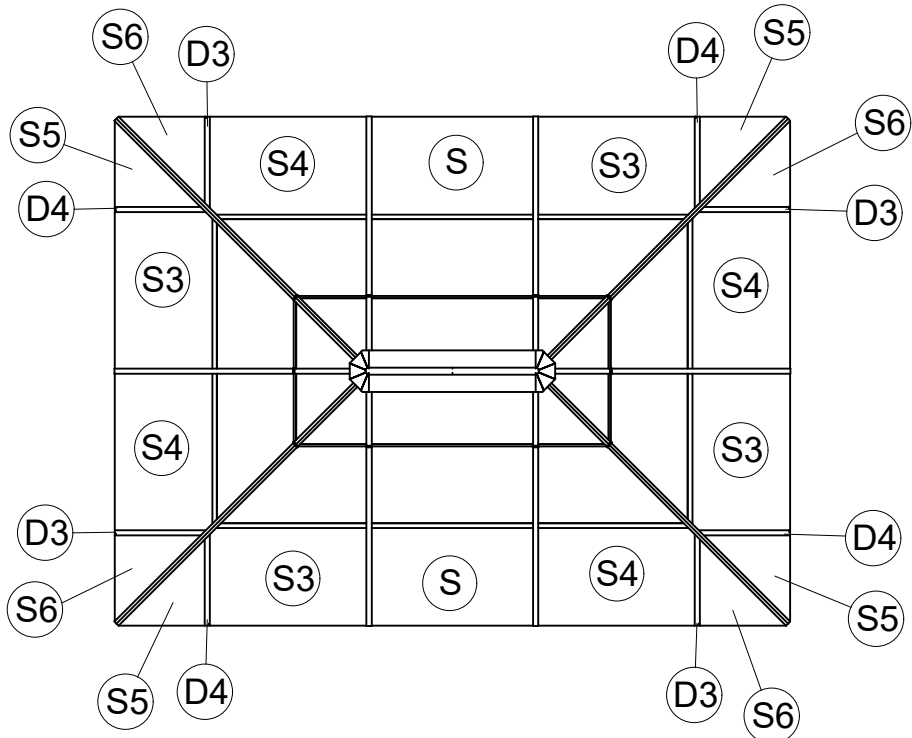
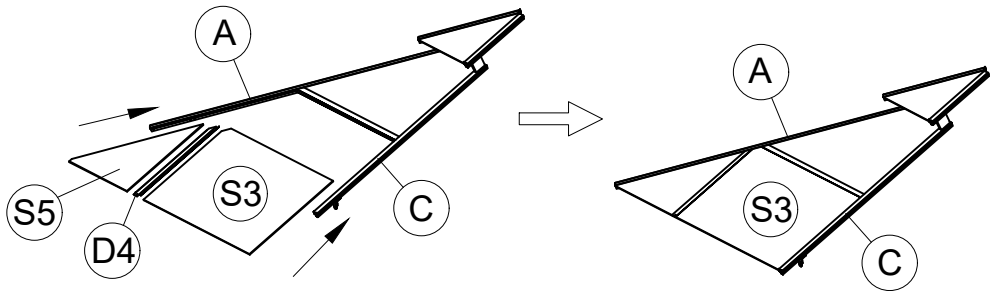
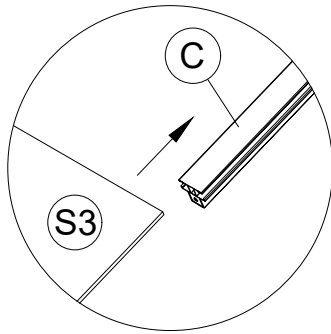
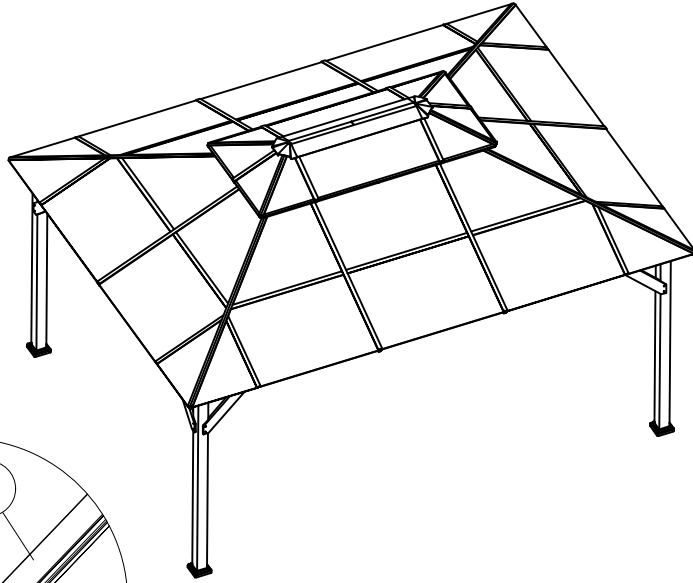


D3 4x

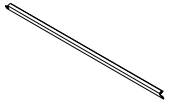


D4 4x

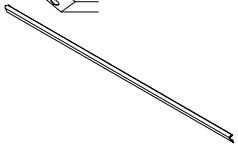
23



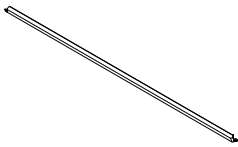
<18>



E 2x



E1 4x



E2 4x



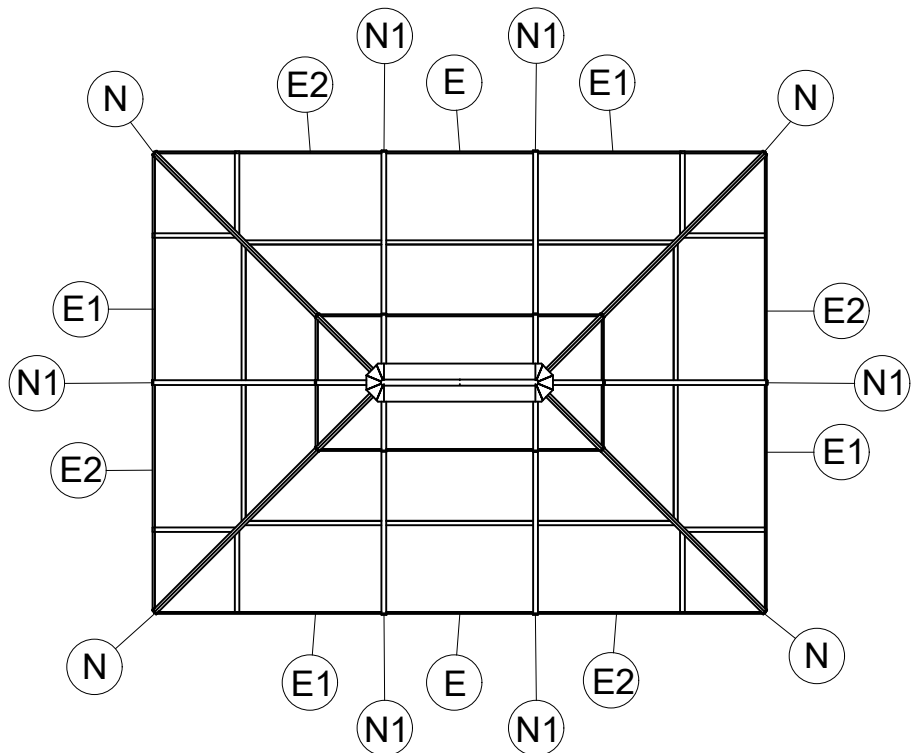
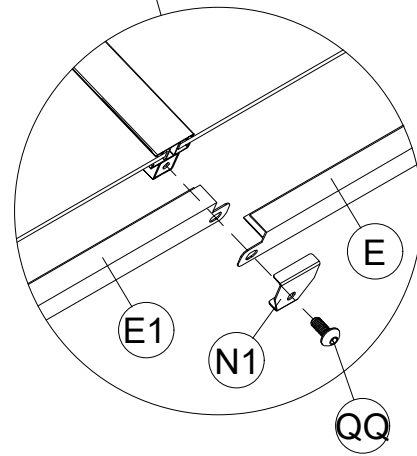
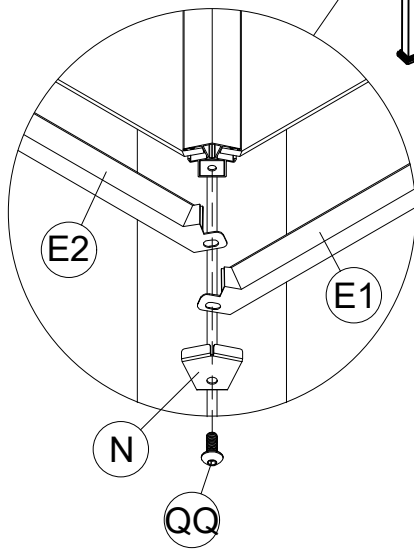
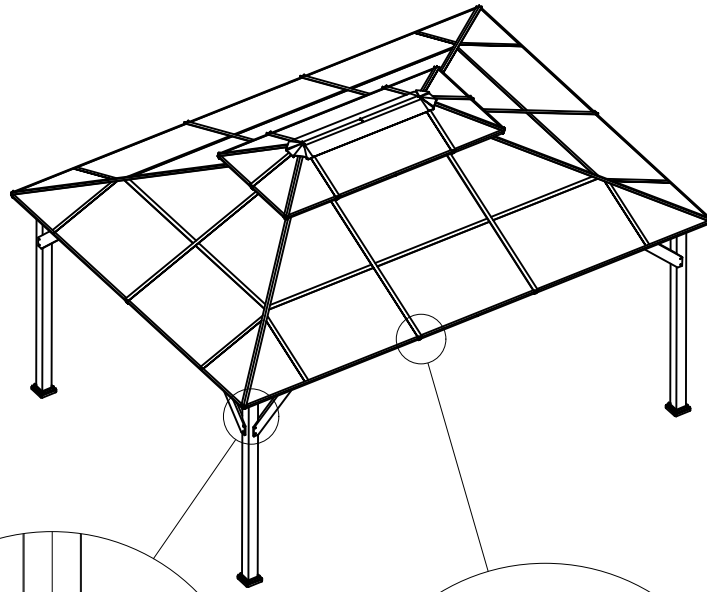
N 4x



N1 6x


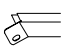
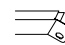




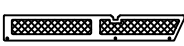

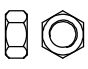


QQ 10x  
M6x15

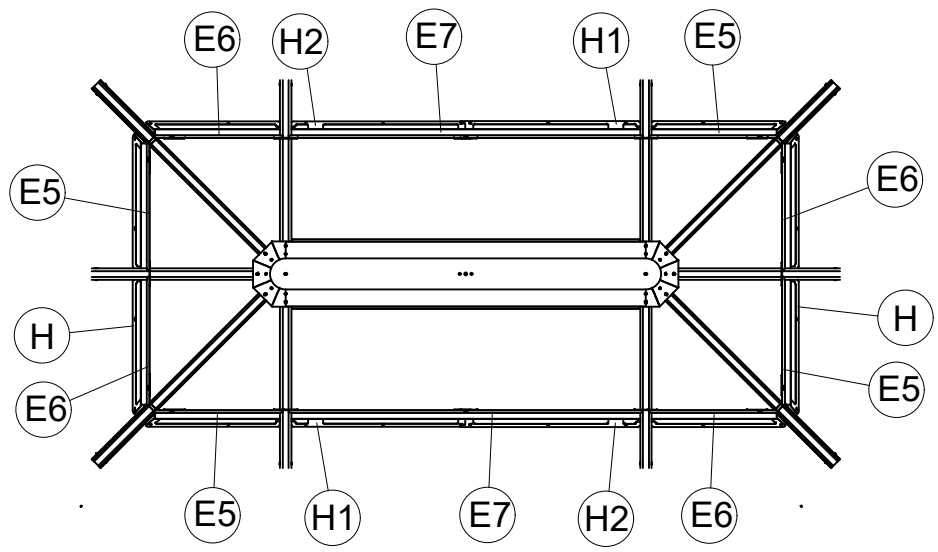
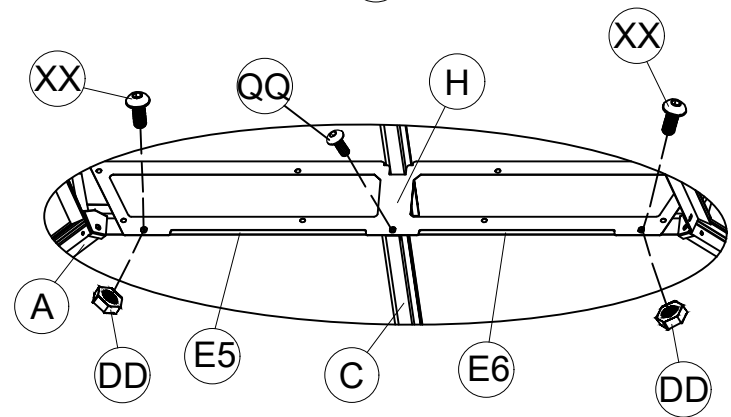
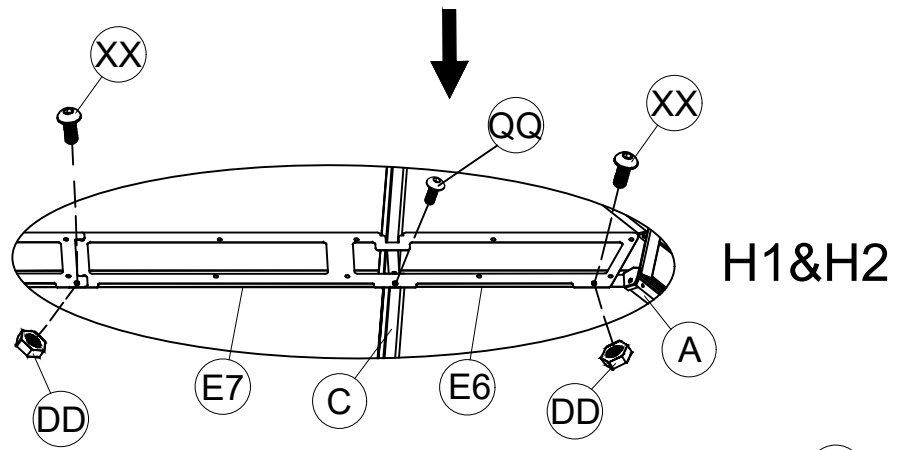
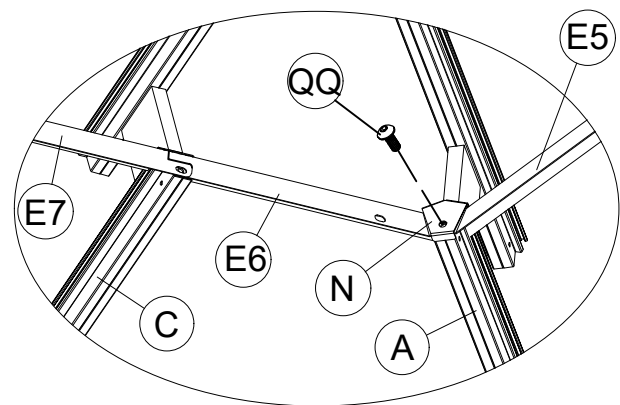


24

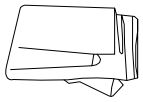


-  **E7** 2x
-  **E5** 4x
-  **E6** 4x
-  **N** 4x
-  **QQ** 10x  
M6x15
-  **H** 2x
-  **H1** 2x
-  **H2** 2x
-  **XX** 10x  
M6x10
-  **DD** 10x  
M6

<19>



Upward view of the roof

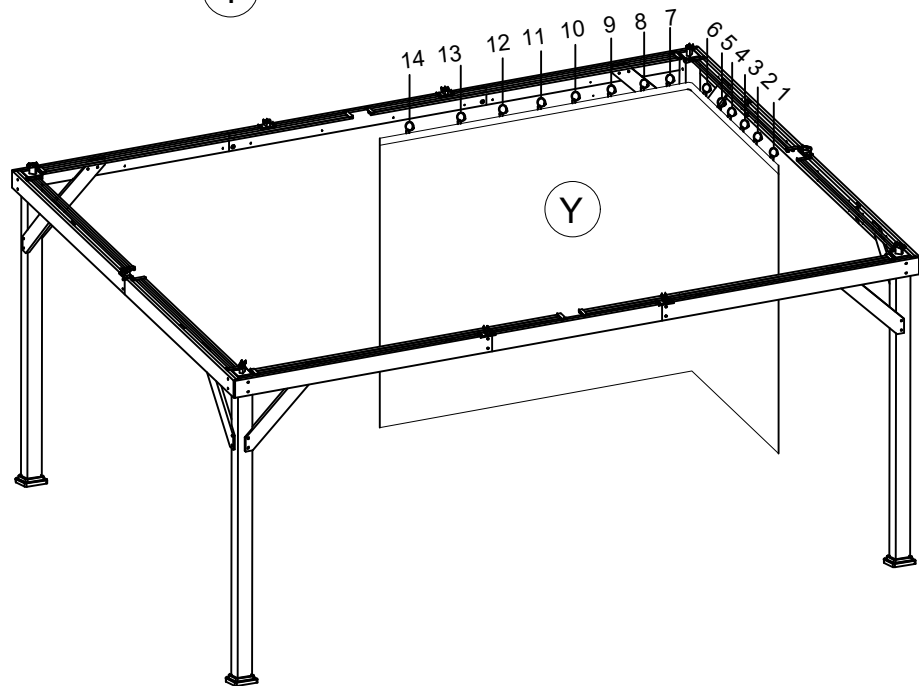
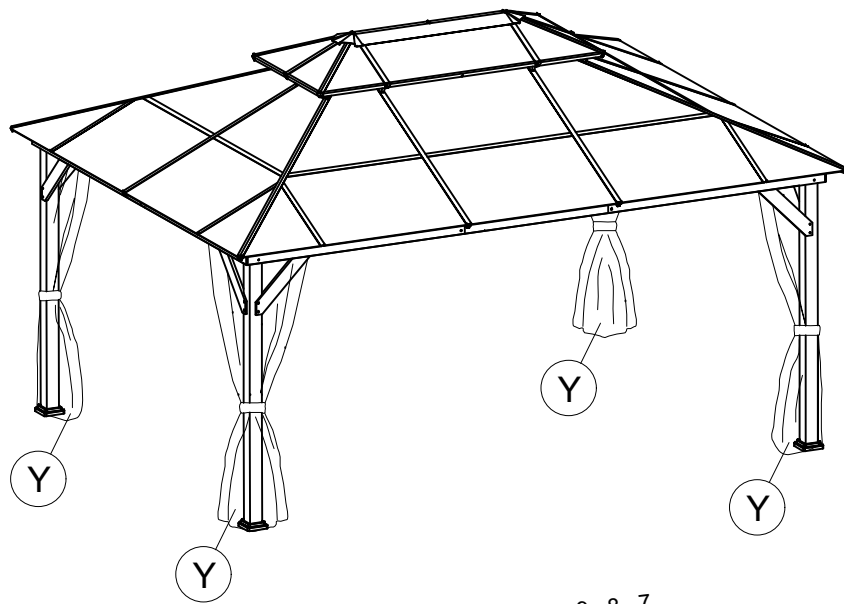
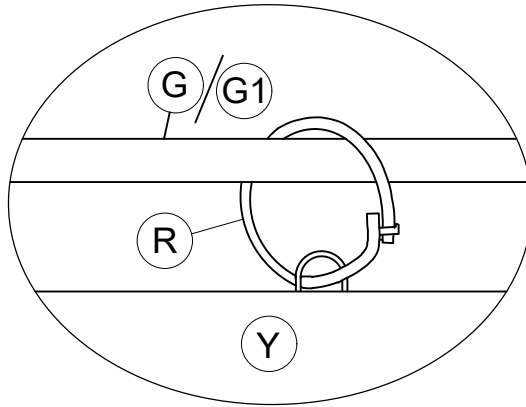


<20>

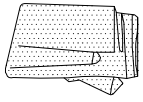
Y 4x



R 56x



26

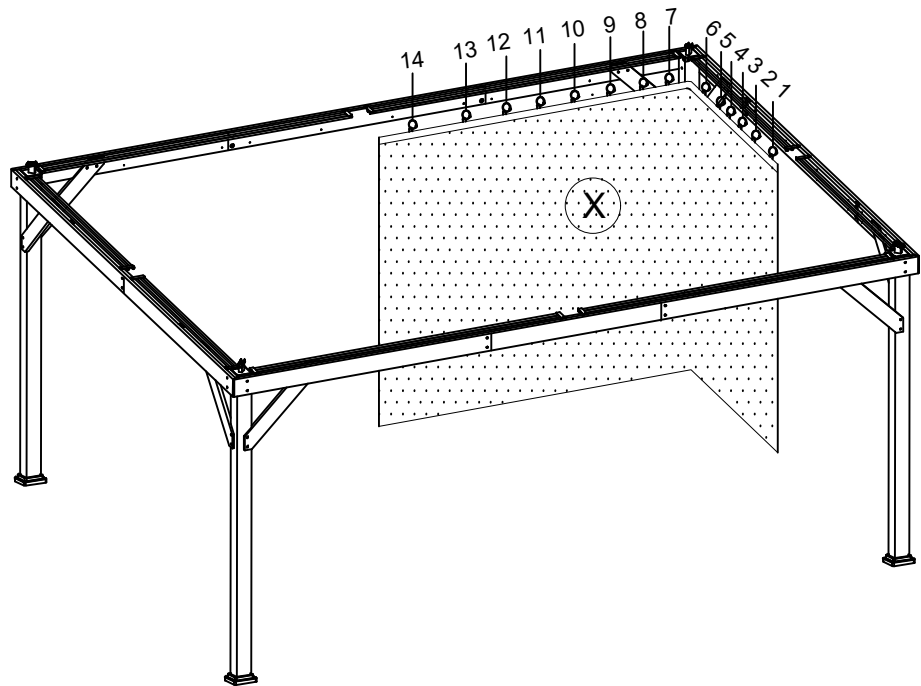
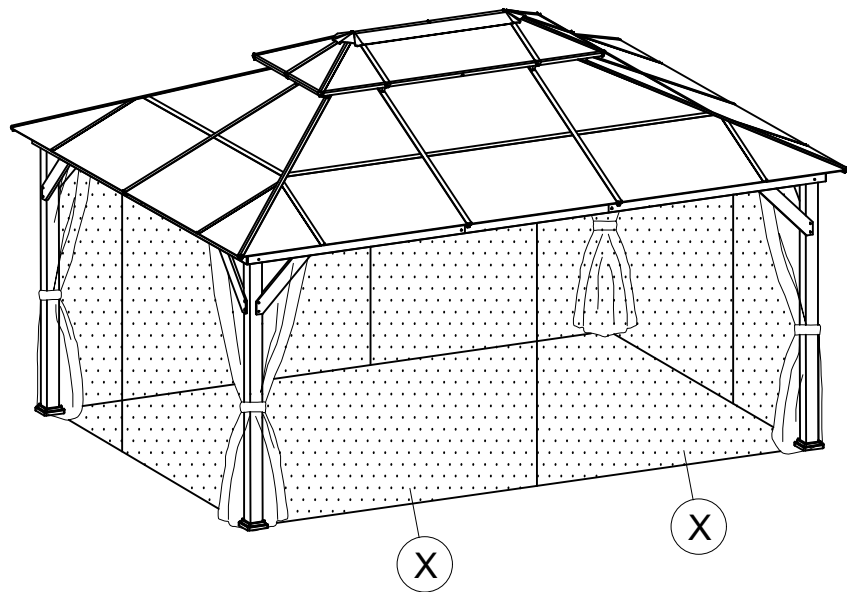
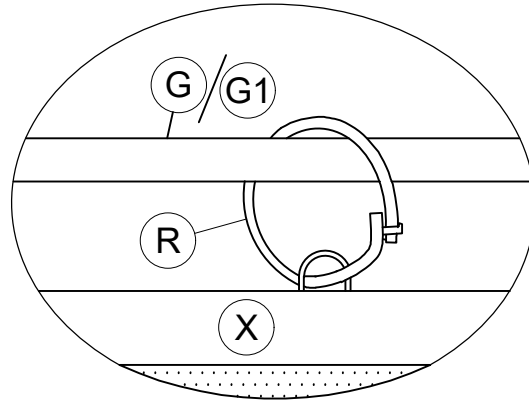


<21>

(X) 4x



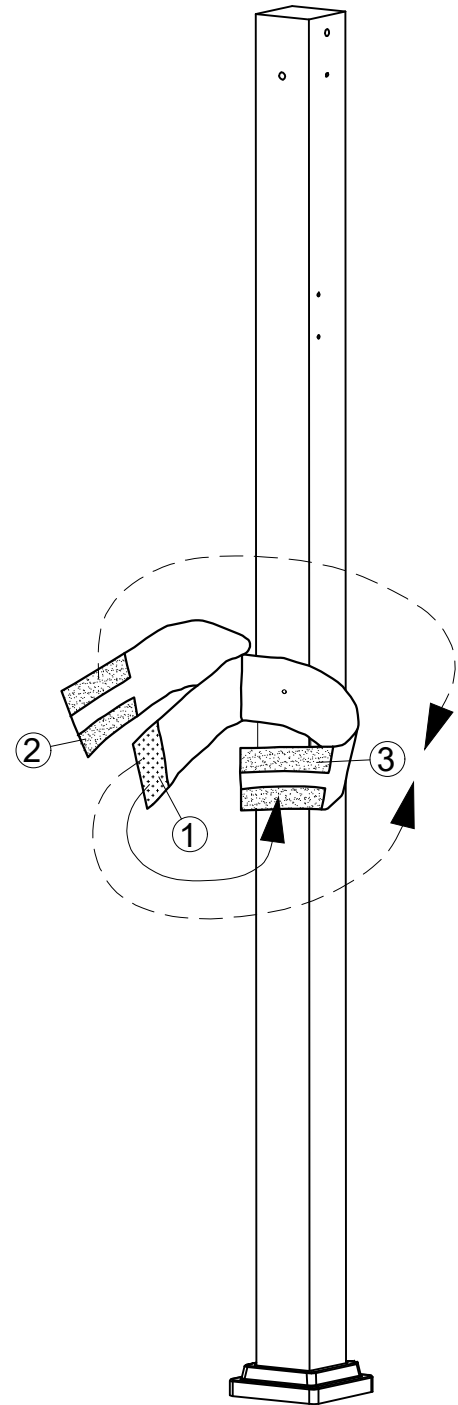
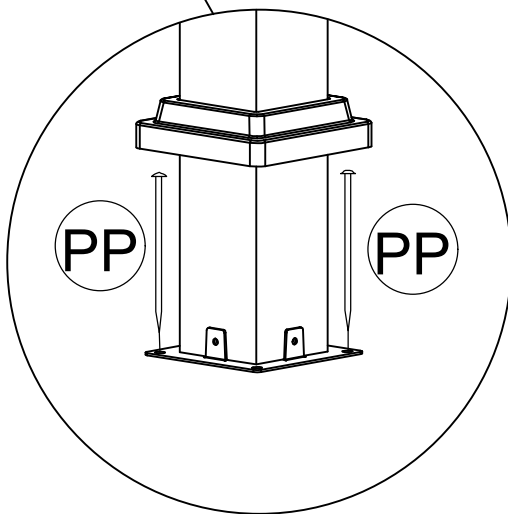
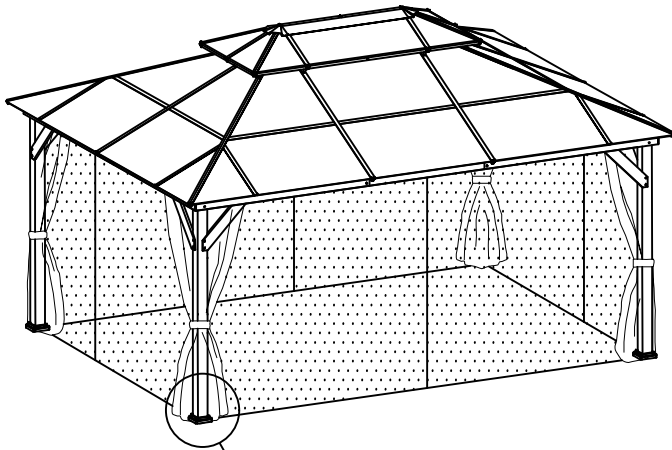
(R) 56x





<22>

PP 8x



Note:

1. 1 stick 2 tie X and Y together
2. 1 stick 3 towards back tie Y
3. 1 stick 3 towards front tie X