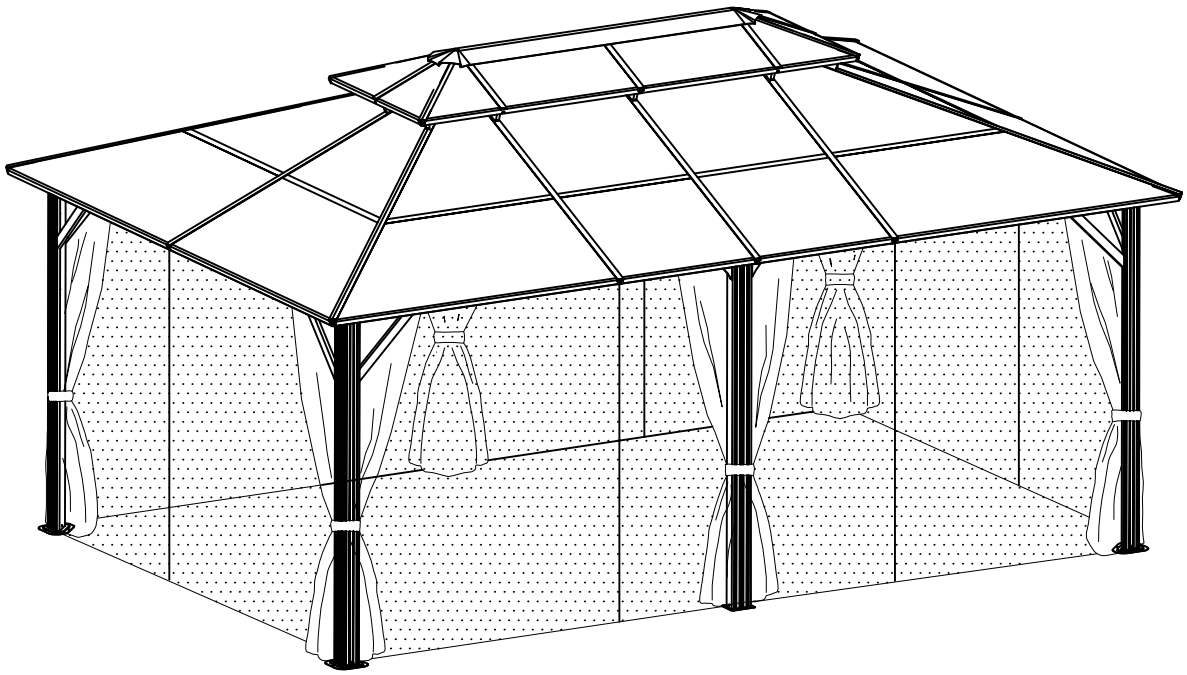


# 12 x 18 FT

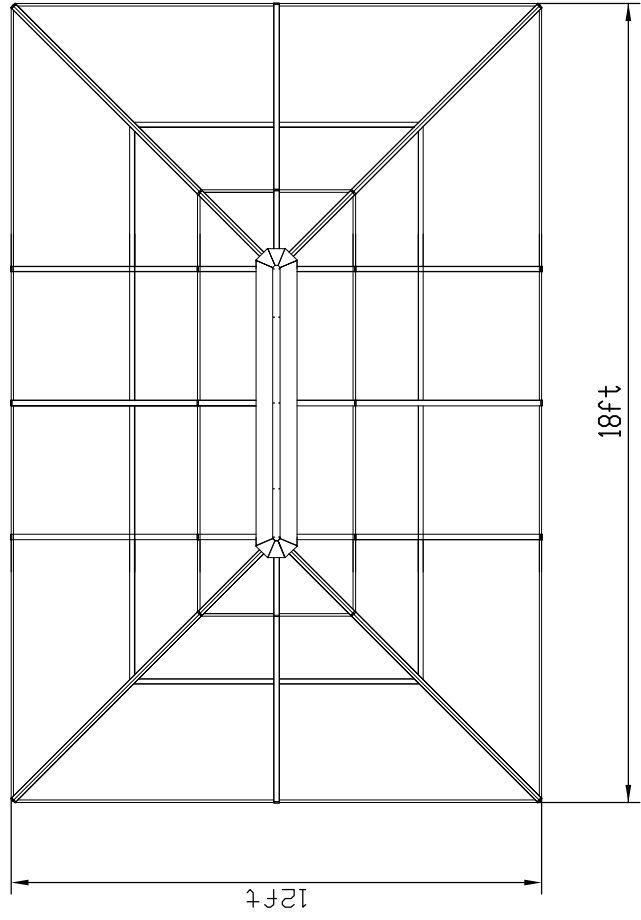
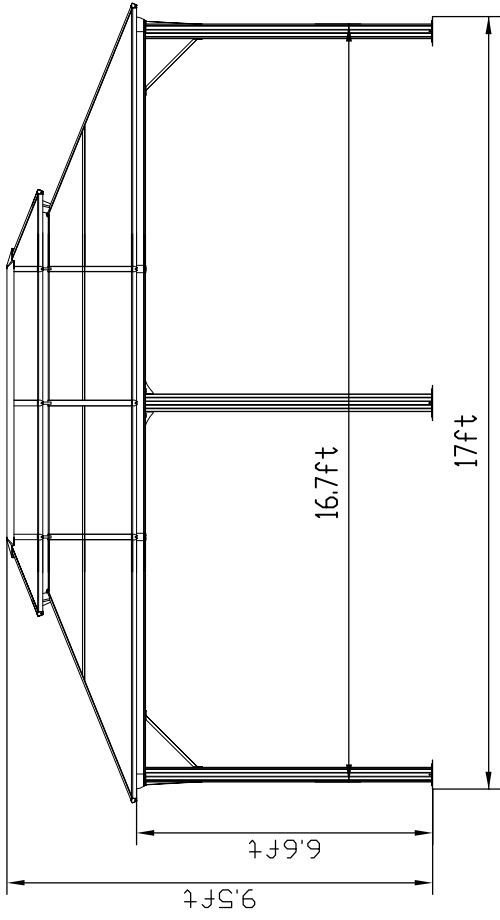
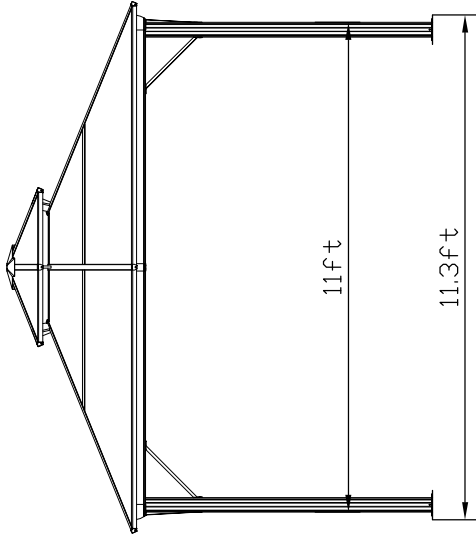
□ □ □ □ □ □ □ □ □ JFG006 □ □ □ □ □ □ □ □ □



At least need 5 people work together

## REQUIRED TOOLS







A6 4X



A2 2X



B2 4x



B3 4x



C9 2x



D1 4x



D2 4x



E1 2x



E2 6x



Y1 4x



Y2 4x



Y9 4x



Z1 4x



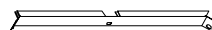
Z2 4x



Z15 4x



Z3 2x



Z5 2x



Z16 2x





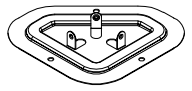
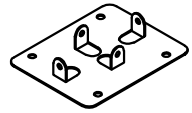
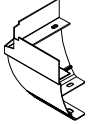



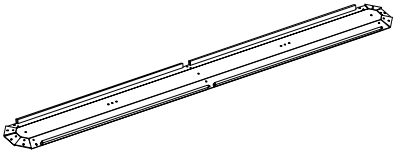
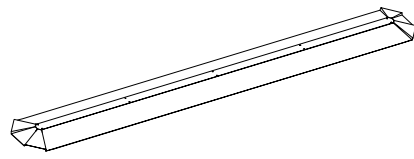
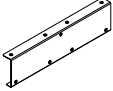

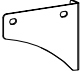
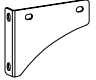
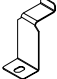



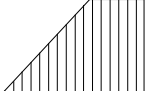
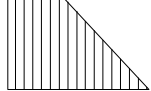
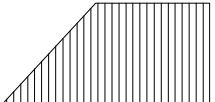
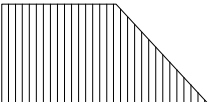
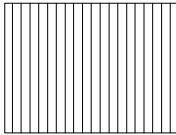


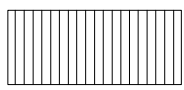
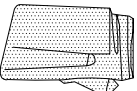
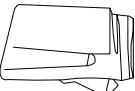

Z17 2x



Z18 2x



Z19 2x

			
(H) 4x	(H1) 4x	(J2) 4x	(J1) 2x
			
(K) 4x	(K1) 6x	(N) 12x	(N1) 18x
			
(L5) 1x		(M5) 1x	
			
(P) 6x	(R) 3x	(W1) 2x	(W2) 2x
			
(V) 6x	(X) 8x	(X1) 8x	(X2) 8x
			
(F1) 4x	(F2) 4x	(F3) 4x	(F4) 4x
			
(F15) 8x	(G1) 4x	(G2) 4x	(G6) 4x
			
(S5) 4x + 2x	(T5) 4x + 2x	(U) 144x	



M6x15

1 202x



2 16x



M5x12

3 6x

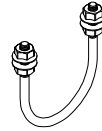


ST4.8x12

4 20x



5 3x



6 1x



M6x25

7 4x

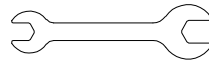


8 18x



M5x15

9 48x



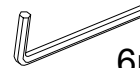
1x

1x



4mm

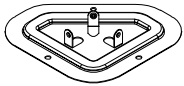
1x



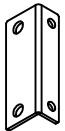
6mm

<1>

A6 4x



J2 4x



X1 8x



X2 8x

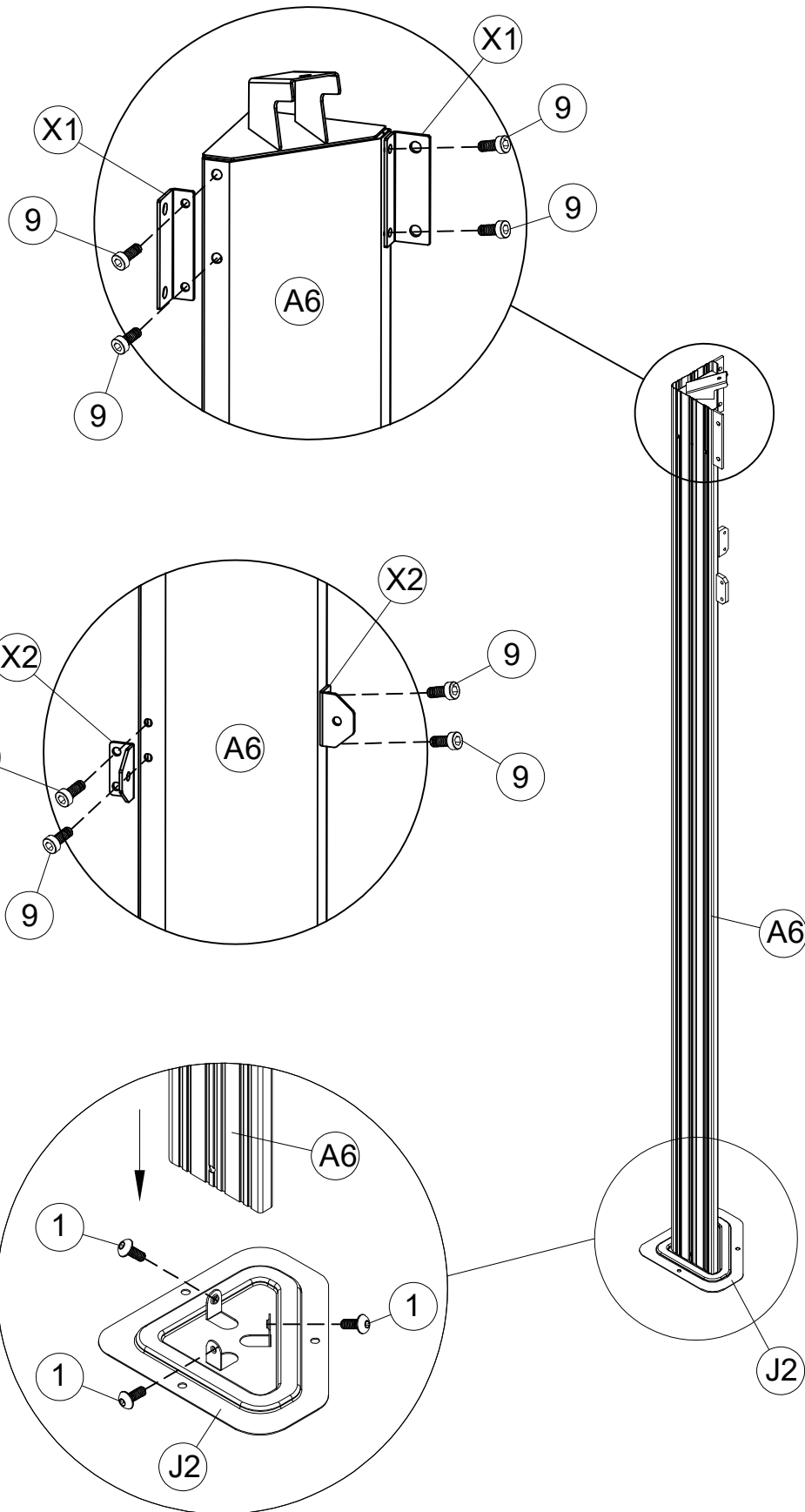


1 12x M6x15



9 32x M5x15

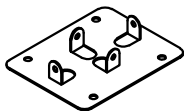
6



<2>



A2 2x



J1 2x



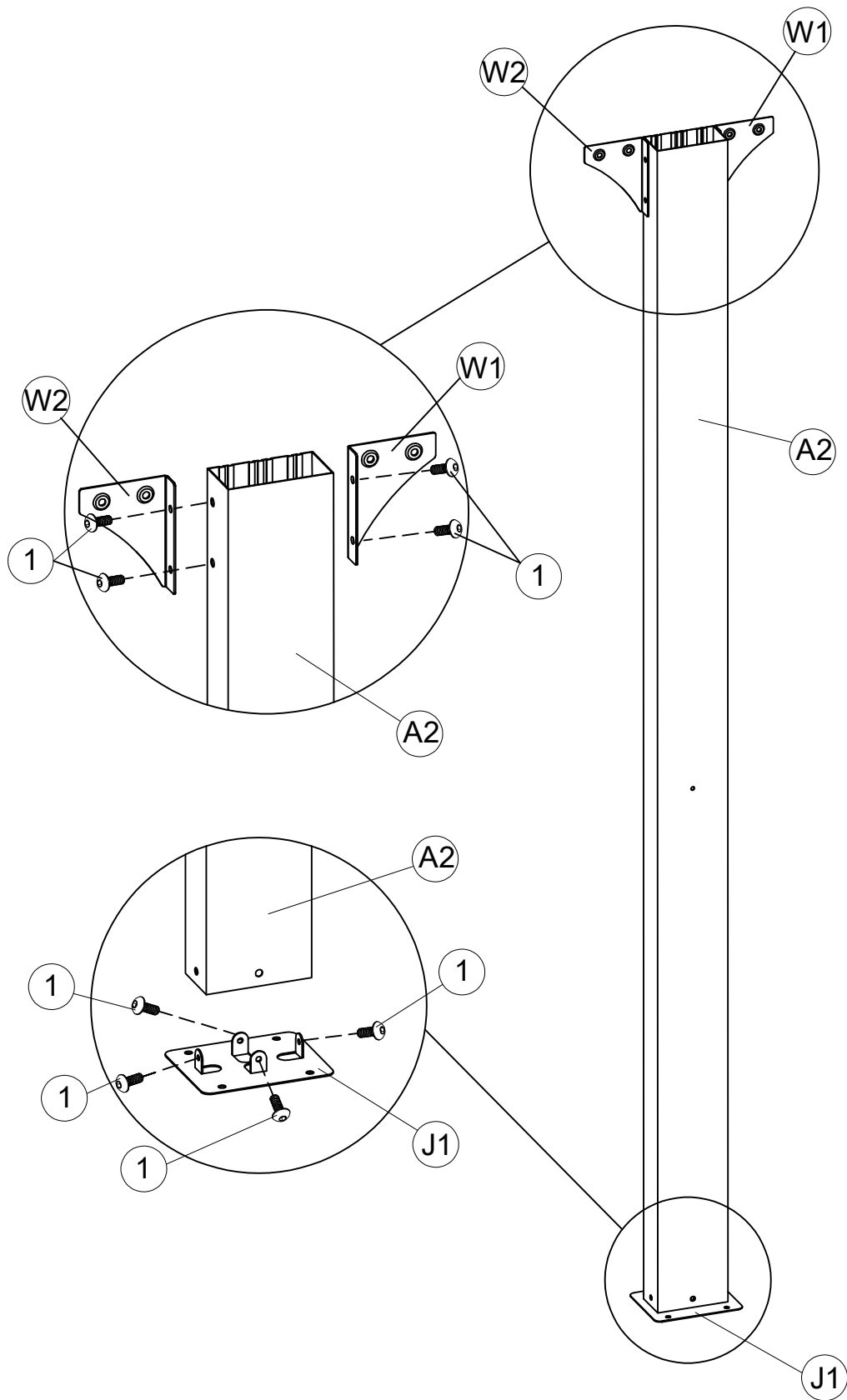
W1 2x



W2 2x



1 16x M6x15

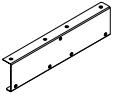




(B2) 2x



(B3) 2x

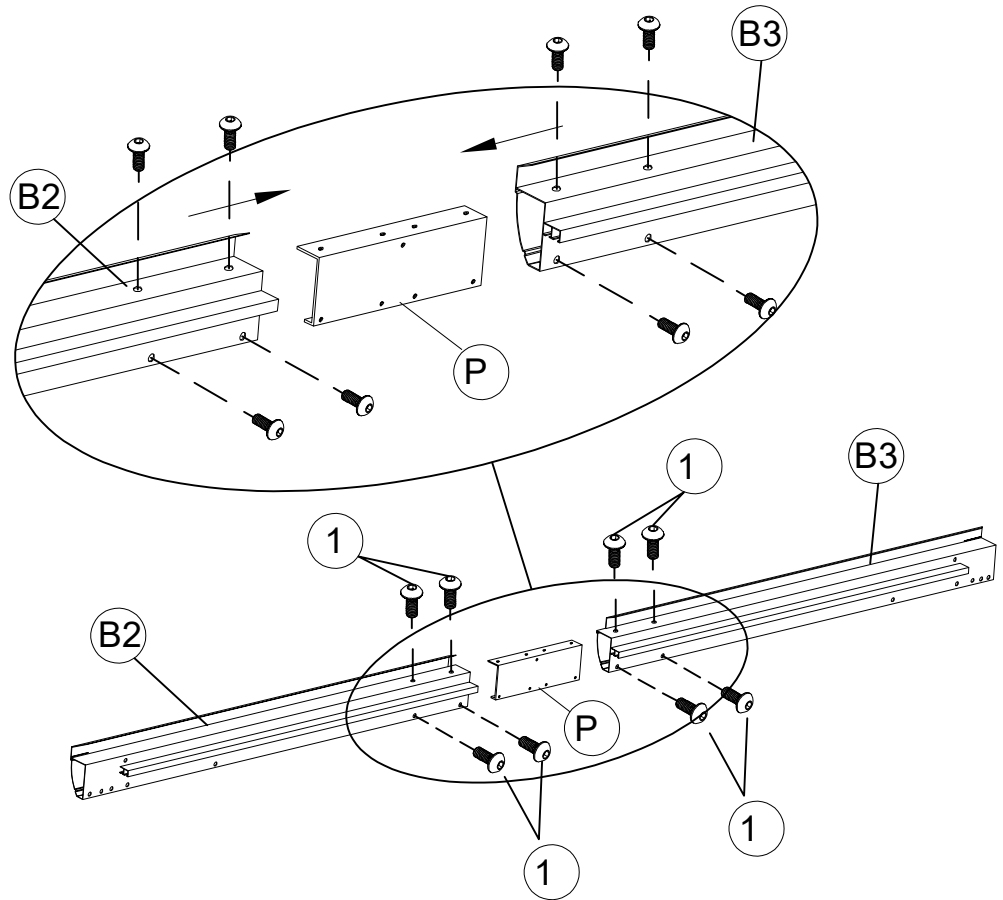


(P) 2x



(1) 16x  
M6x15

<3>





<4>



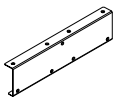
B2 2x



B3 2x



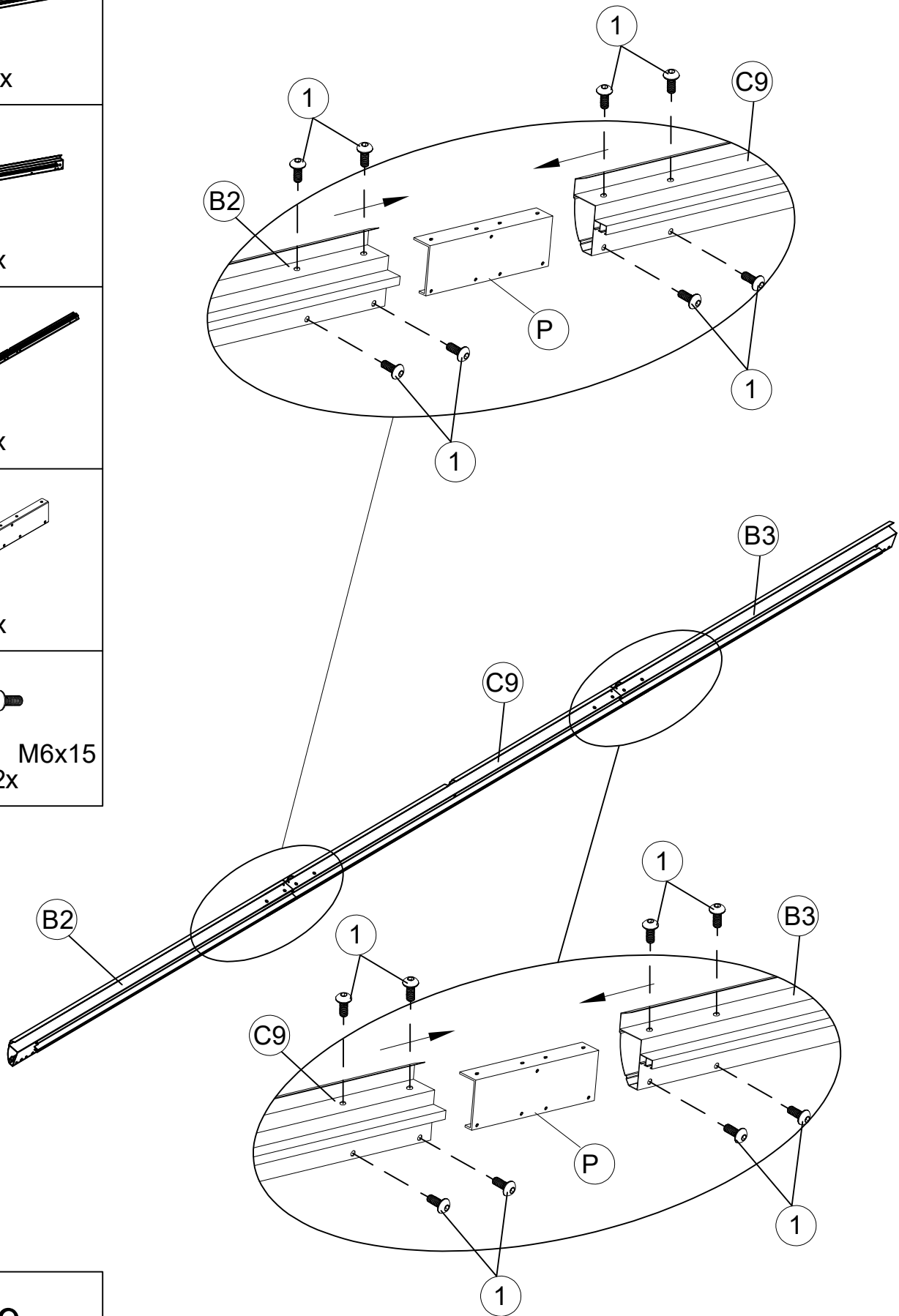
C9 2x



P 4x



1 32x M6x15



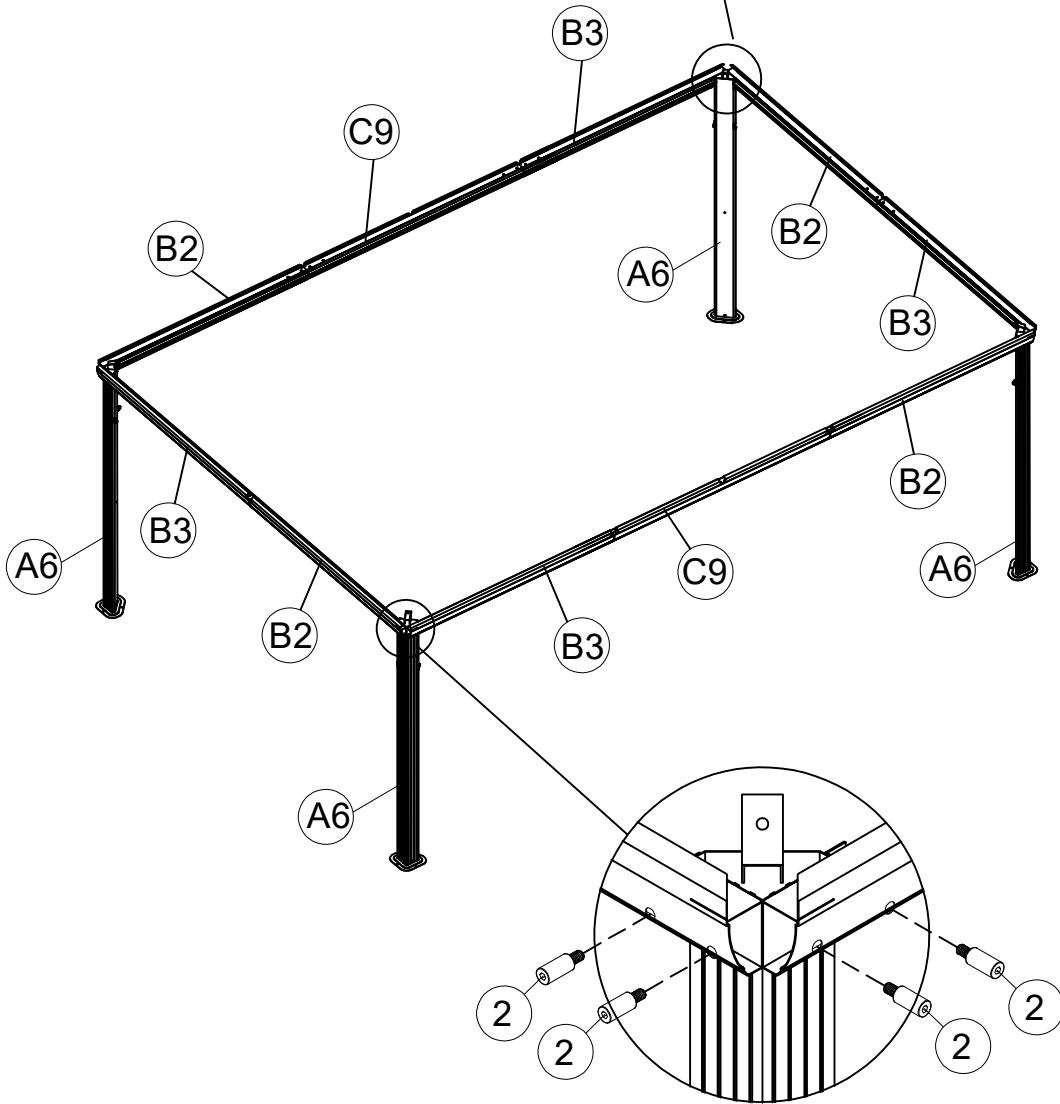
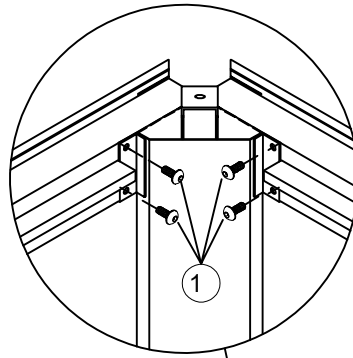


<5>

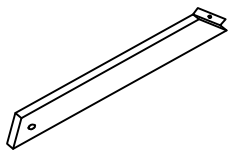
1 M6x15  
16x



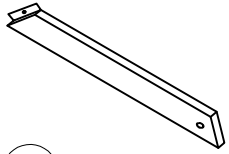
2 16x



10



H 4x



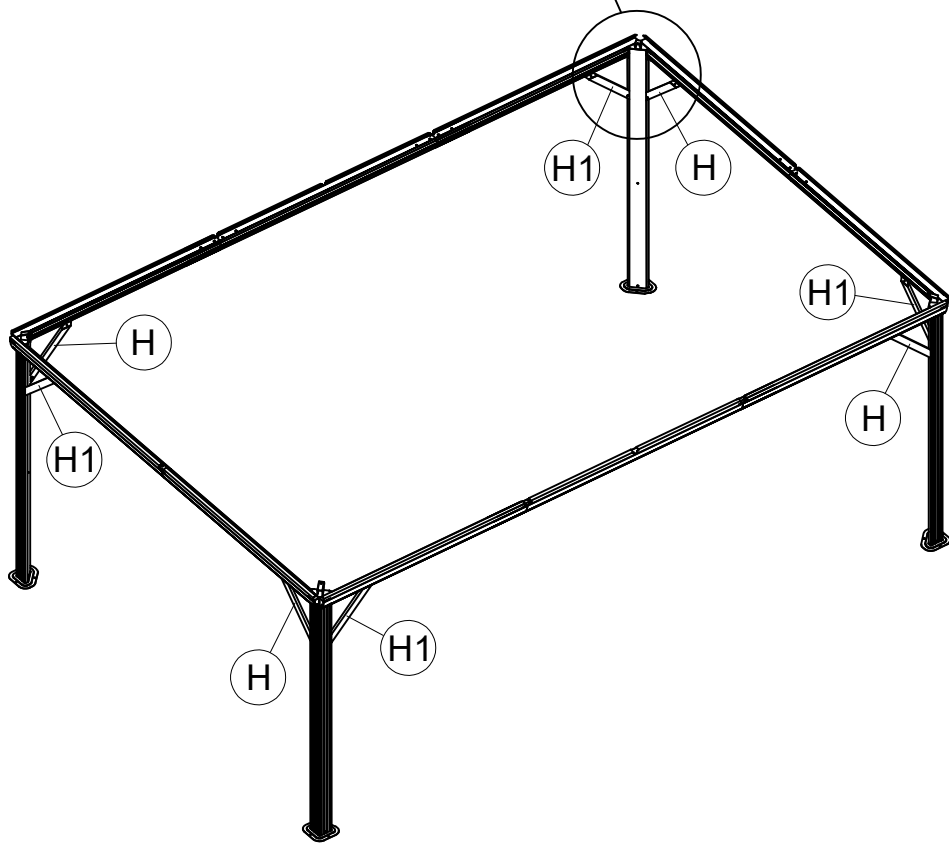
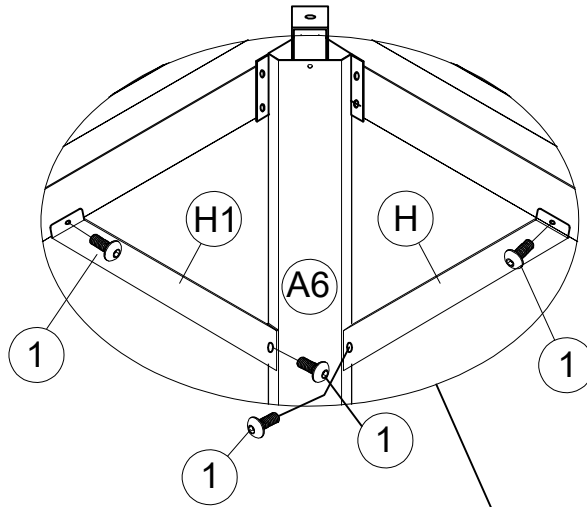
H1 4x



M6x15

1 16x

<6>



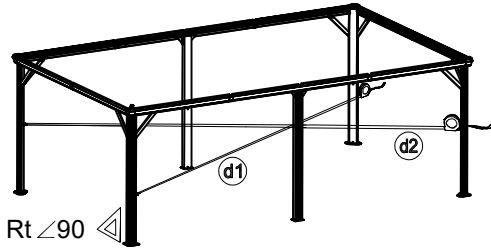


<7>

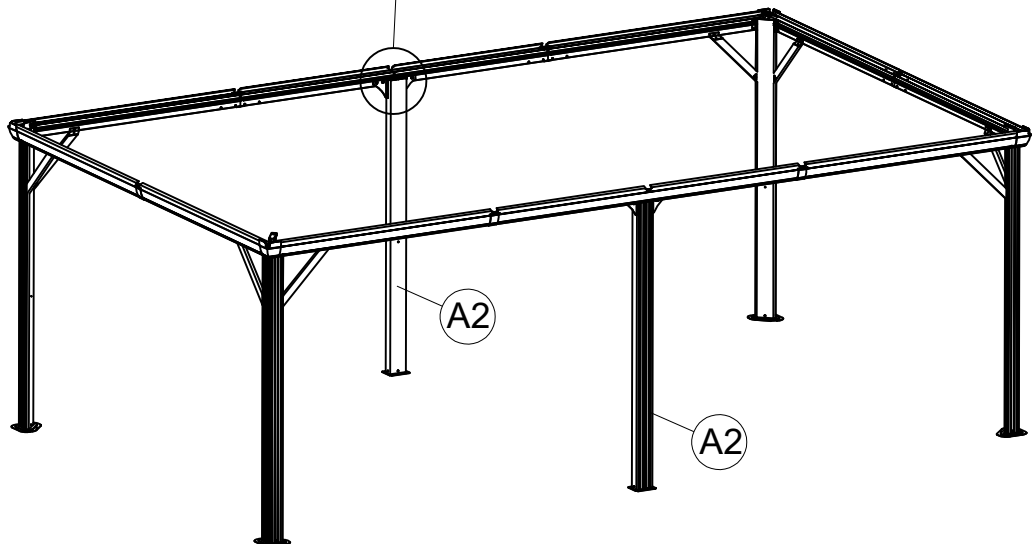
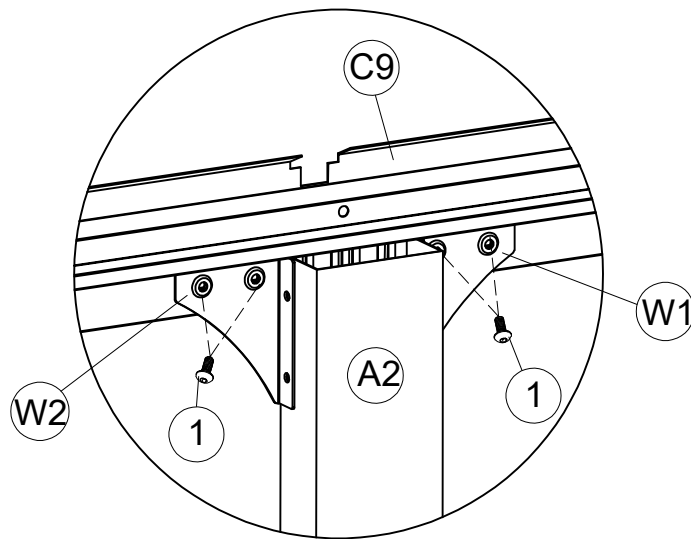
M6x15

1 8x

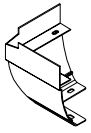
i d1=d2



Tips: Please measure to make sure the length of d1 is equal to d2 before moving to next step to ensure a square frame and best results. Keep the beam at right angles to the post, the post at right angles to the ground, and keep the beam horizontal.



12



(K) 4x



(K1) 6x



(U) 144x



(V) 6x

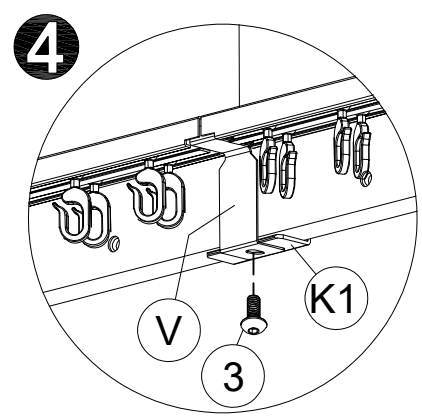
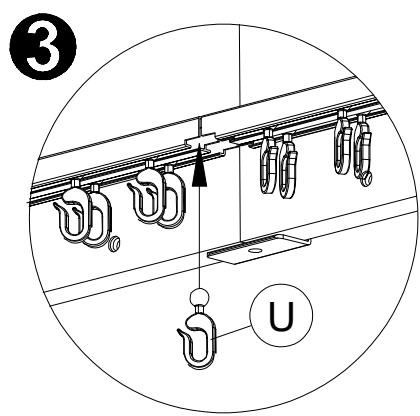
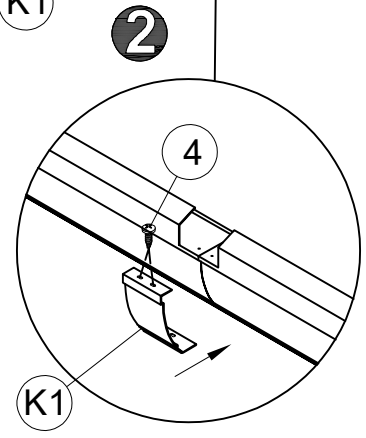
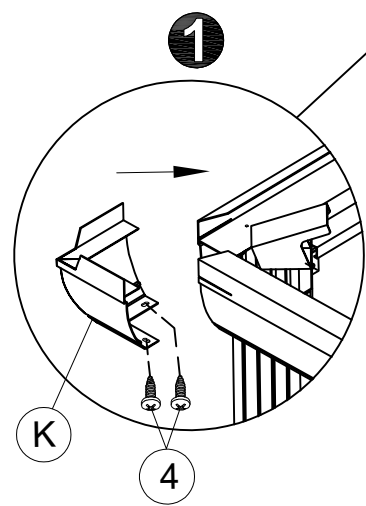
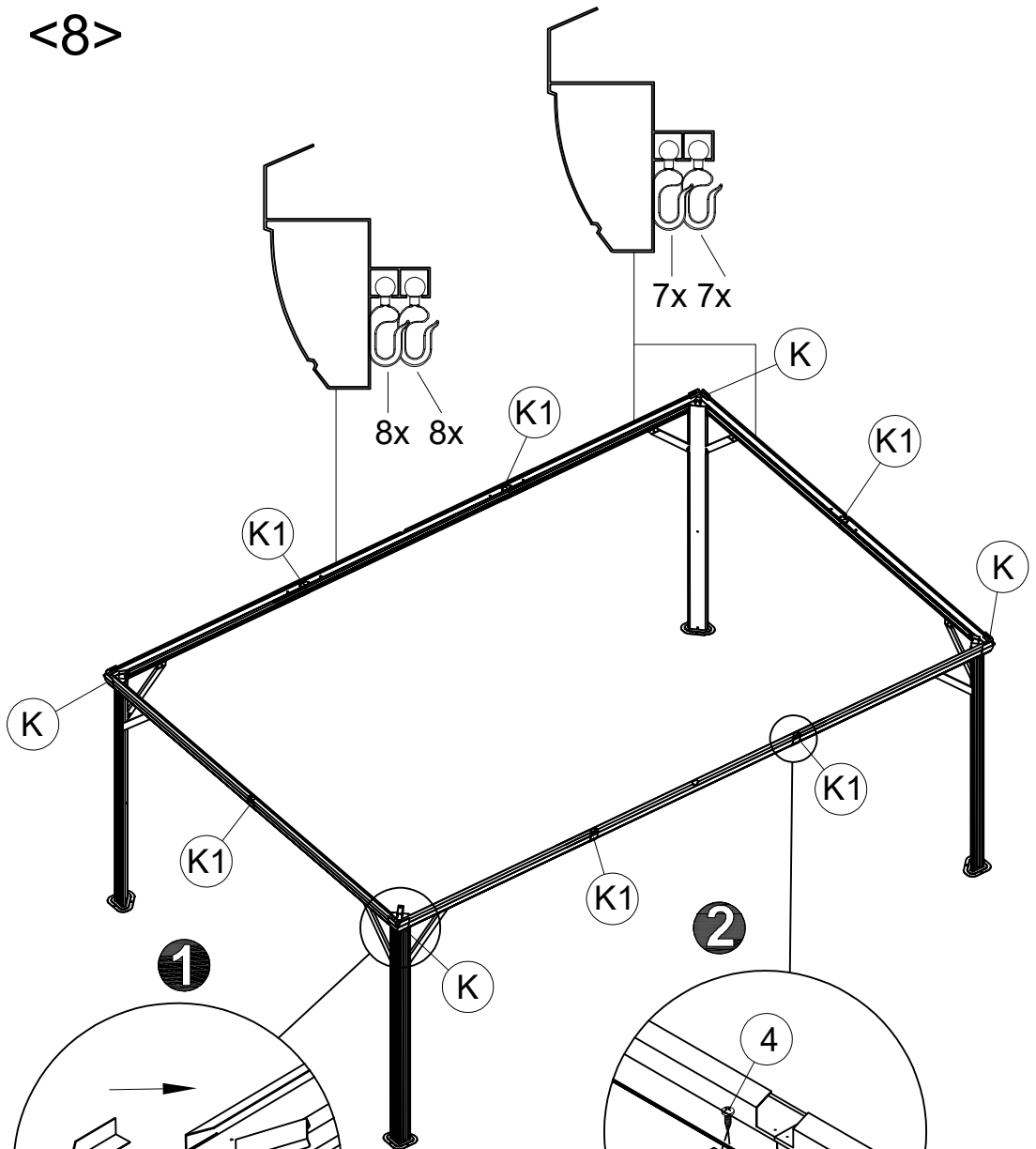


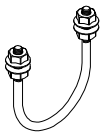
(3) 6x M5x12



(4) 20x ST4.8x12

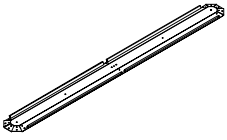
<8>



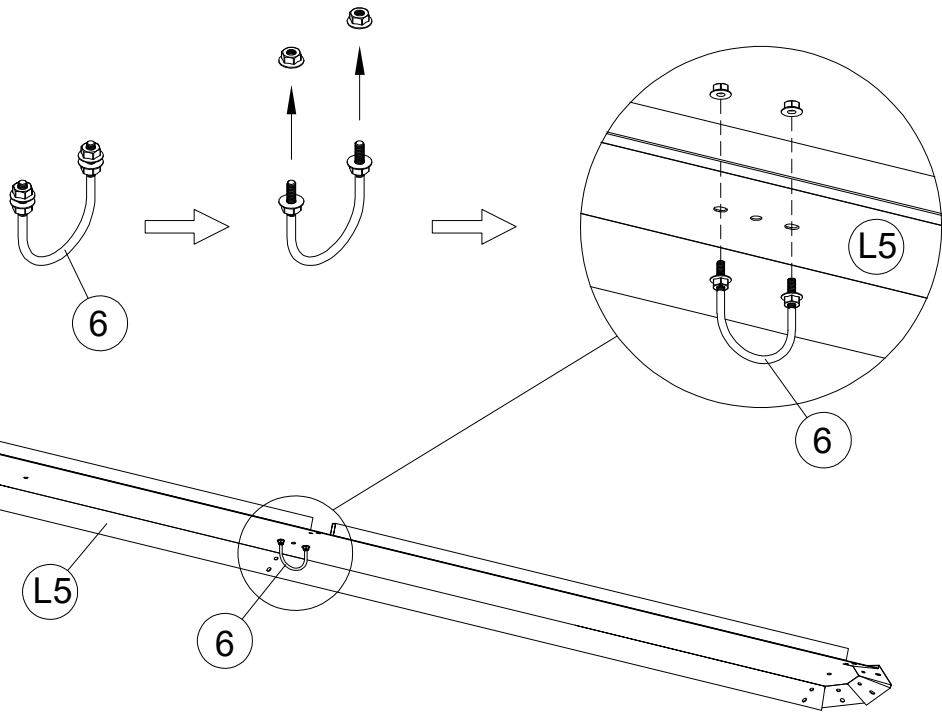


<9>

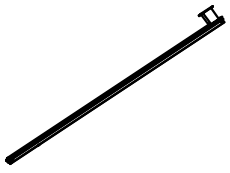
6 1x



L5 1x



<10>



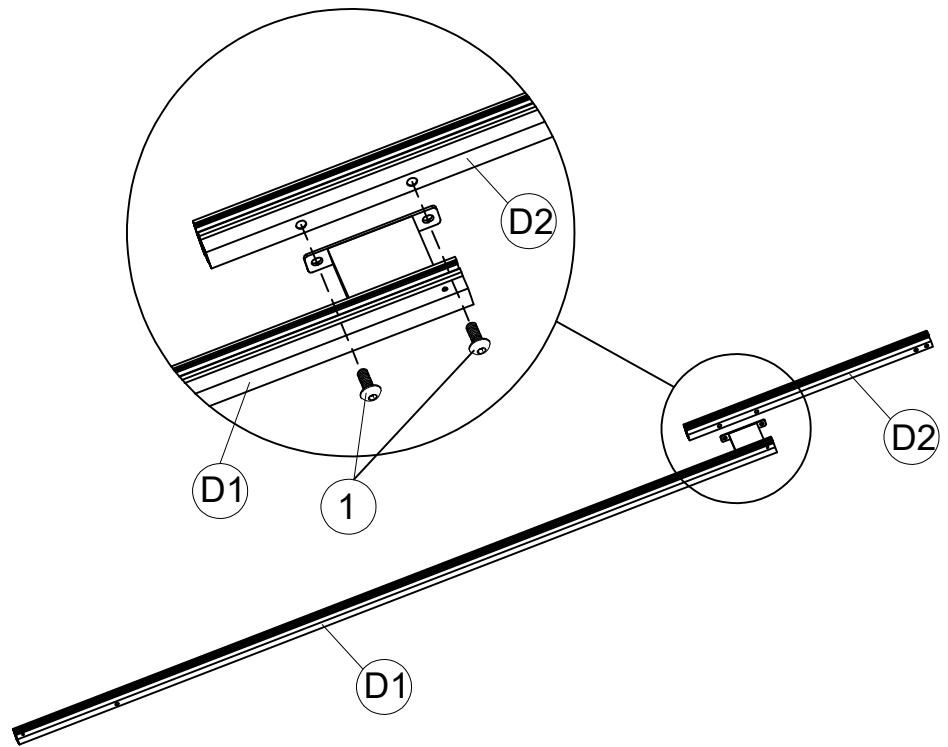
D1 4x



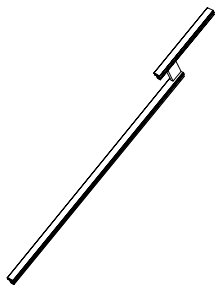
D2 4x



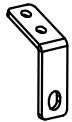
1 8x M6x15



<11>



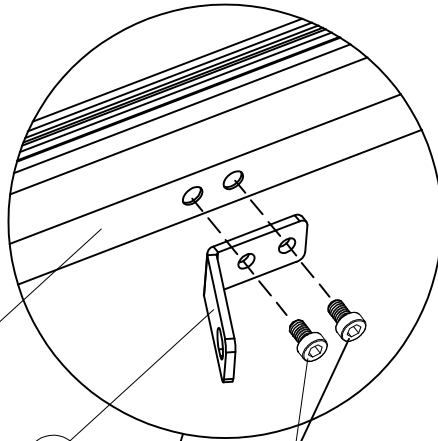
E1 2x



X 2x



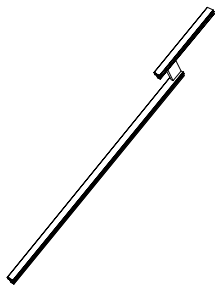
9 4x M5x15



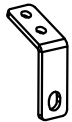
X

9

X



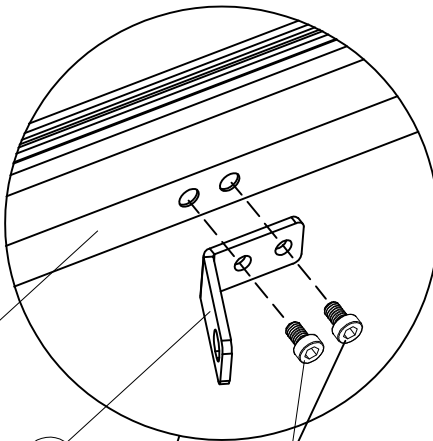
E2 6x



X 6x



9 12x M5x15



X

9

X

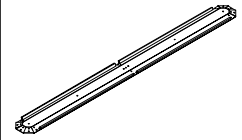
16





4x

<12>

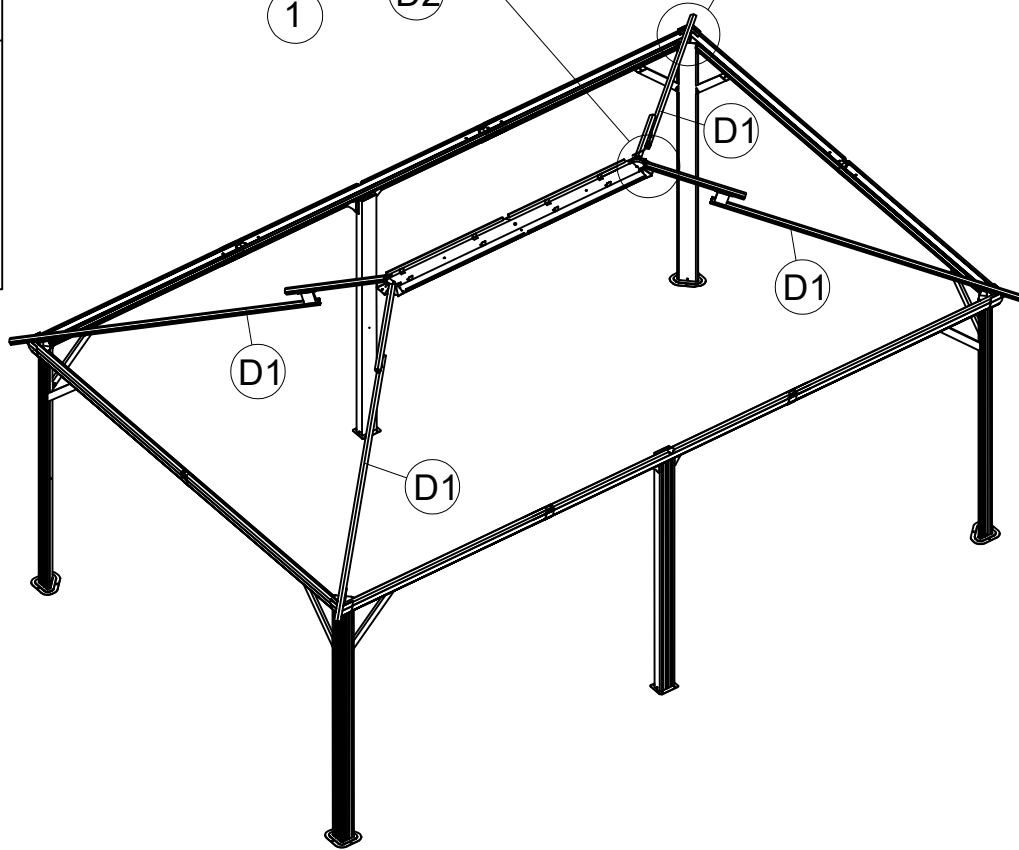
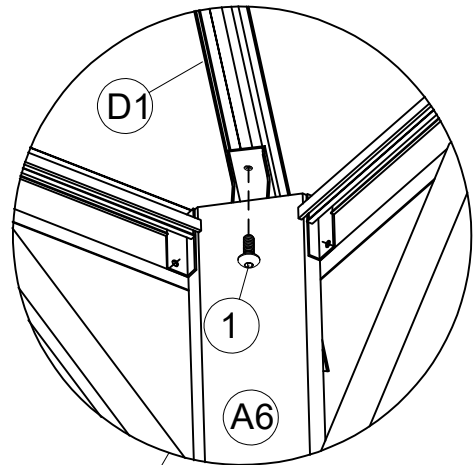
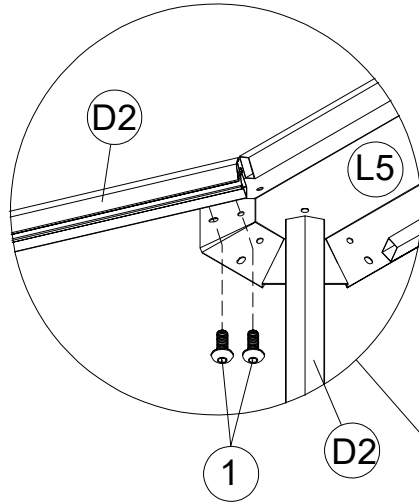


1x



M6x15

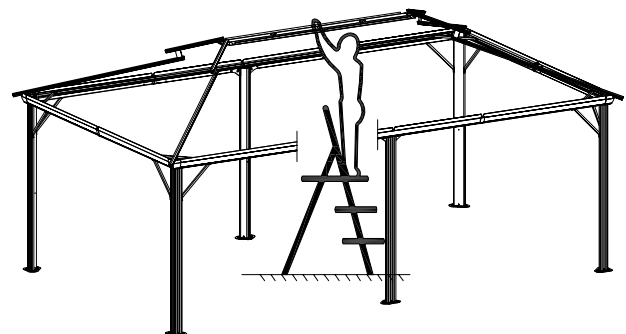
1 12x



Note:

1. Let one person stand on the ladder to lift "L2" and hold and let others fasten the screws connecting both ends of "E1" & "E2" & "D1".

2. Please do not let go of holding "L2" until all the "E1" & "E2" & "D1" screws are installed.





2x



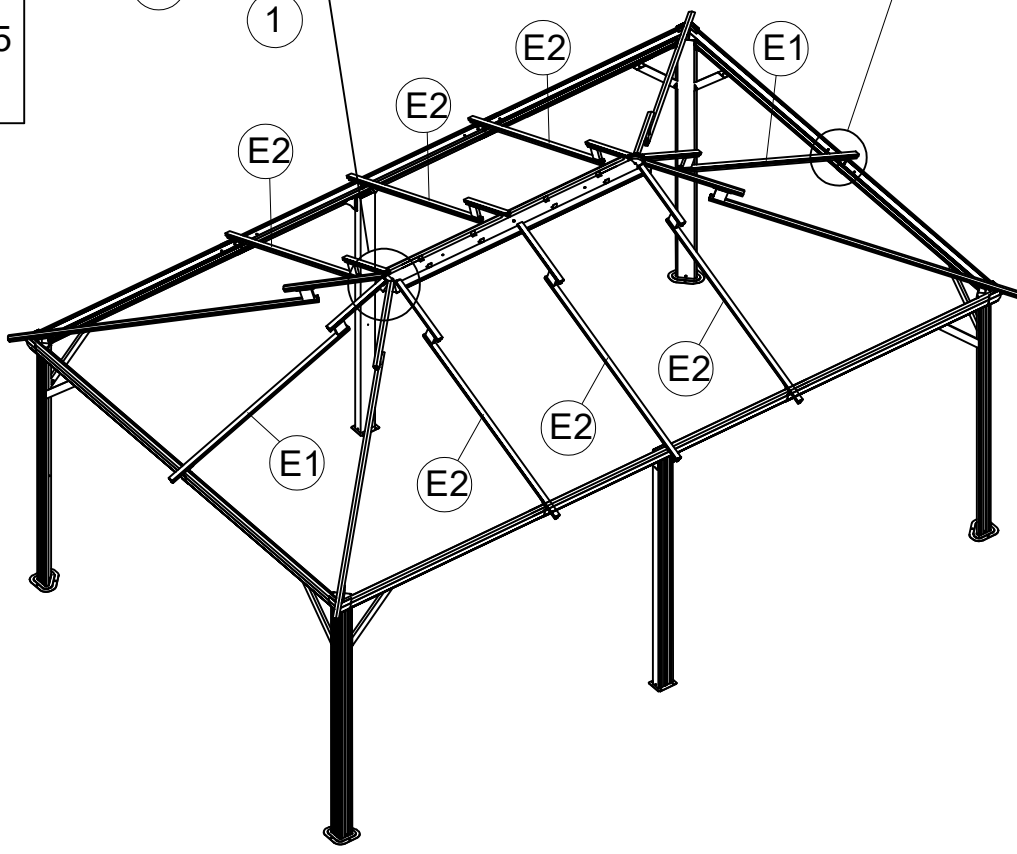
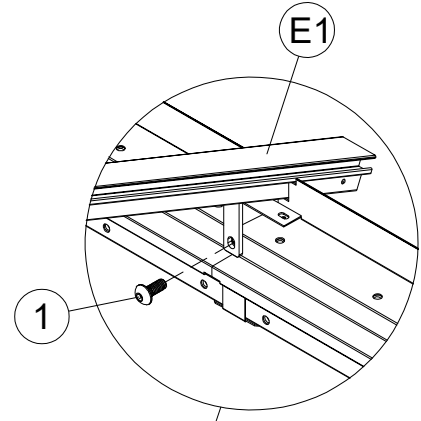
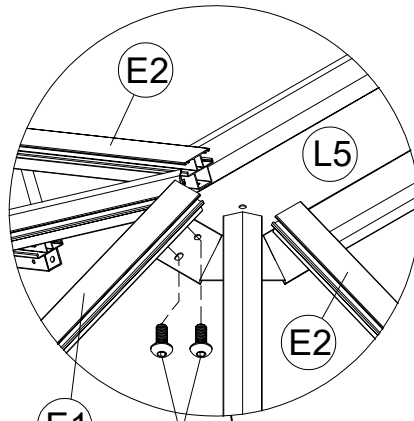
6x



M6x15

1 24x

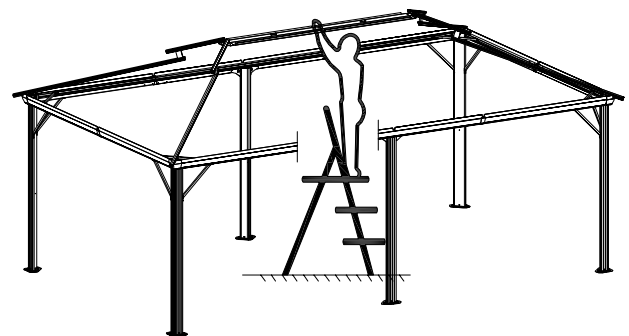
<13>



Note:

1. Let one person stand on the ladder to lift "L2" and hold and let others fasten the screws connecting both ends of "E1" & "E2" & "D1".

2. Please do not let go of holding "L2" until all the "E1" & "E2" & "D1" screws are installed.





<14>

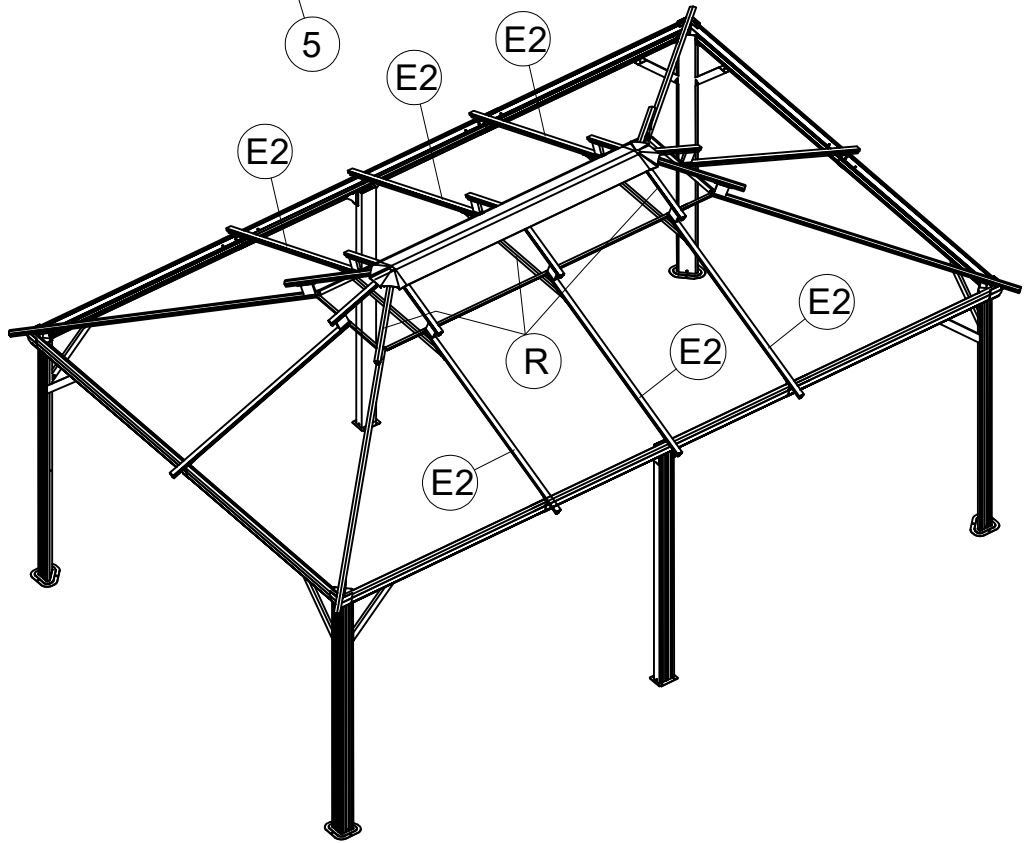
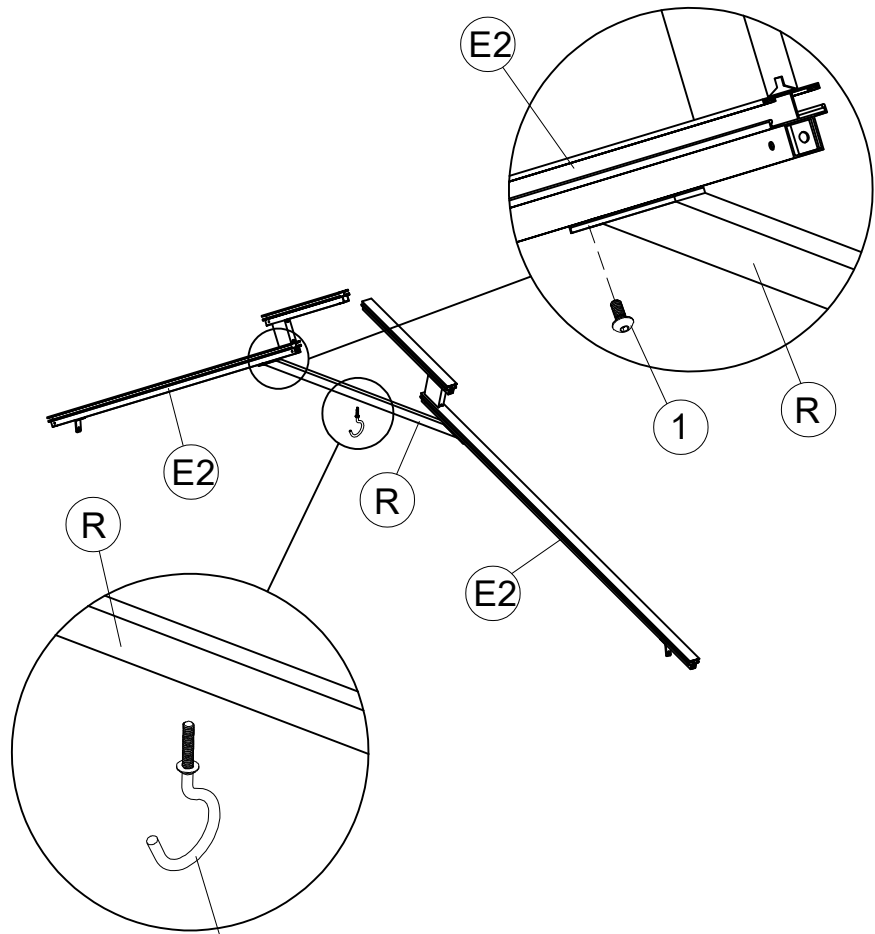
(R) 3x

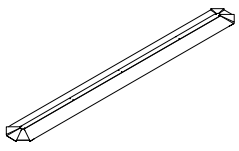


(5) 3x



(1) 6x M6x15





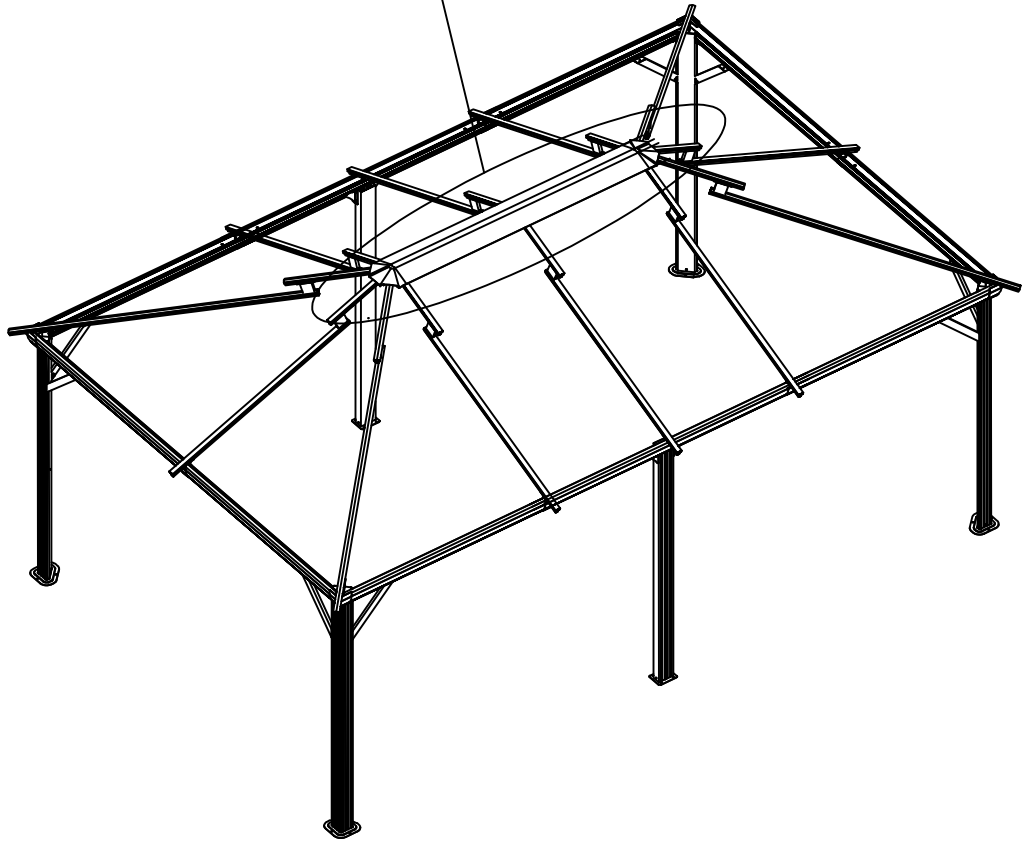
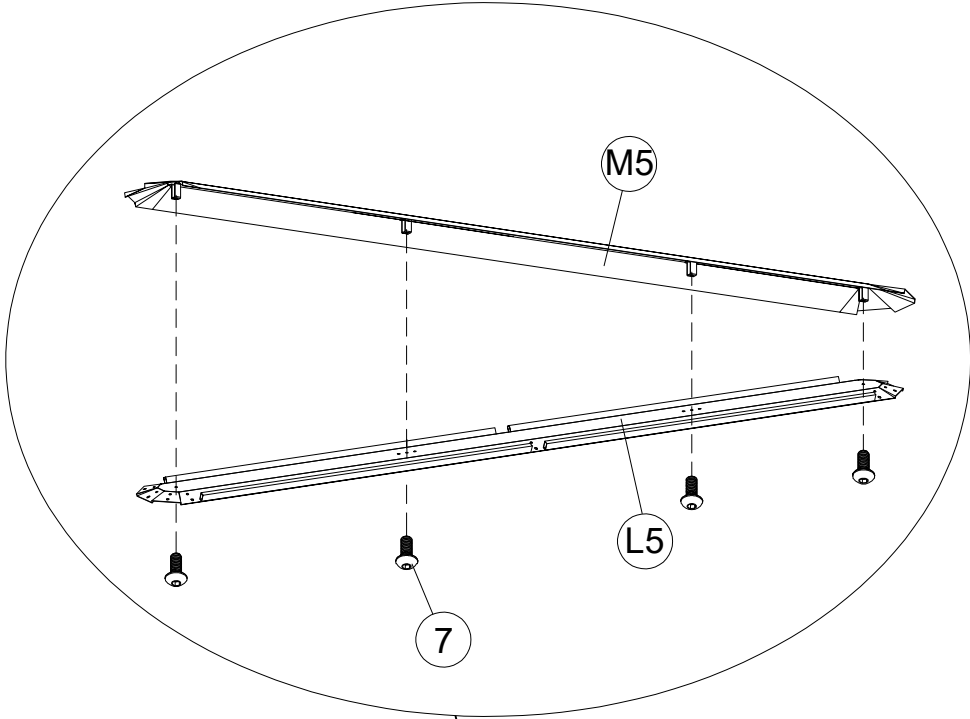
<15>

M5 1x



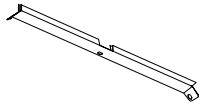
M6x25

7 4x



20

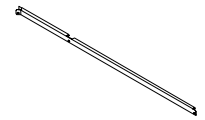
<16>



Z5 2x



Z18 2x



Z19 2x



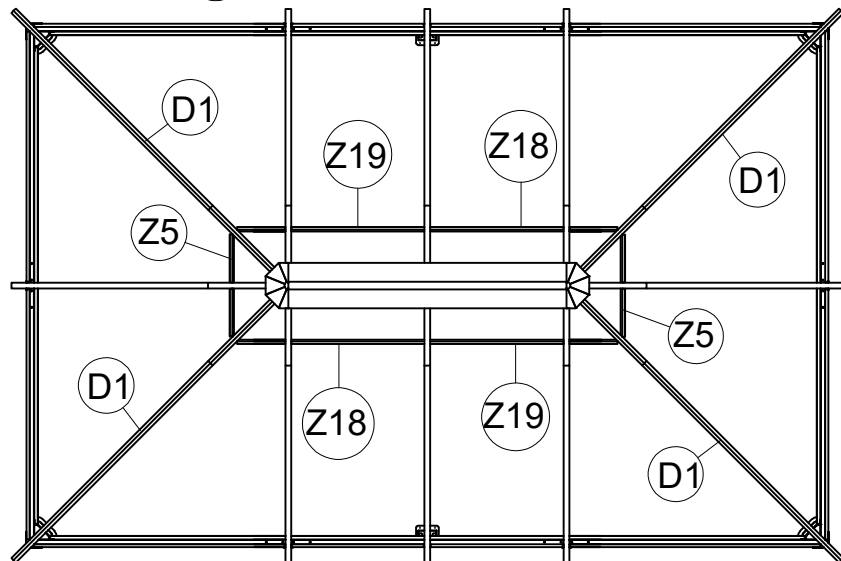
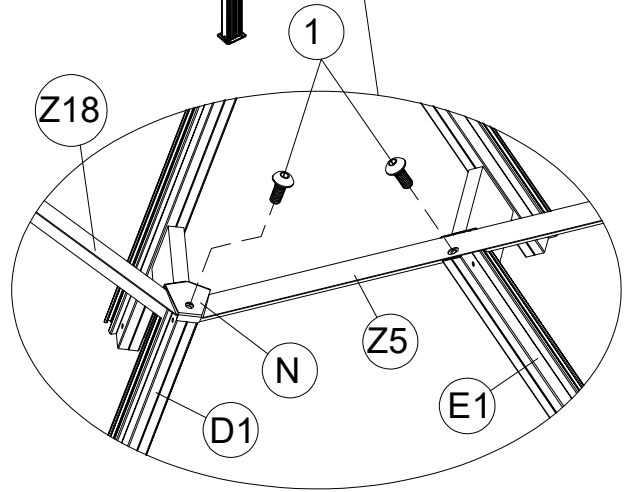
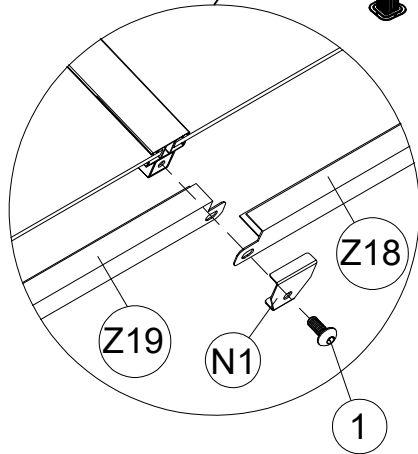
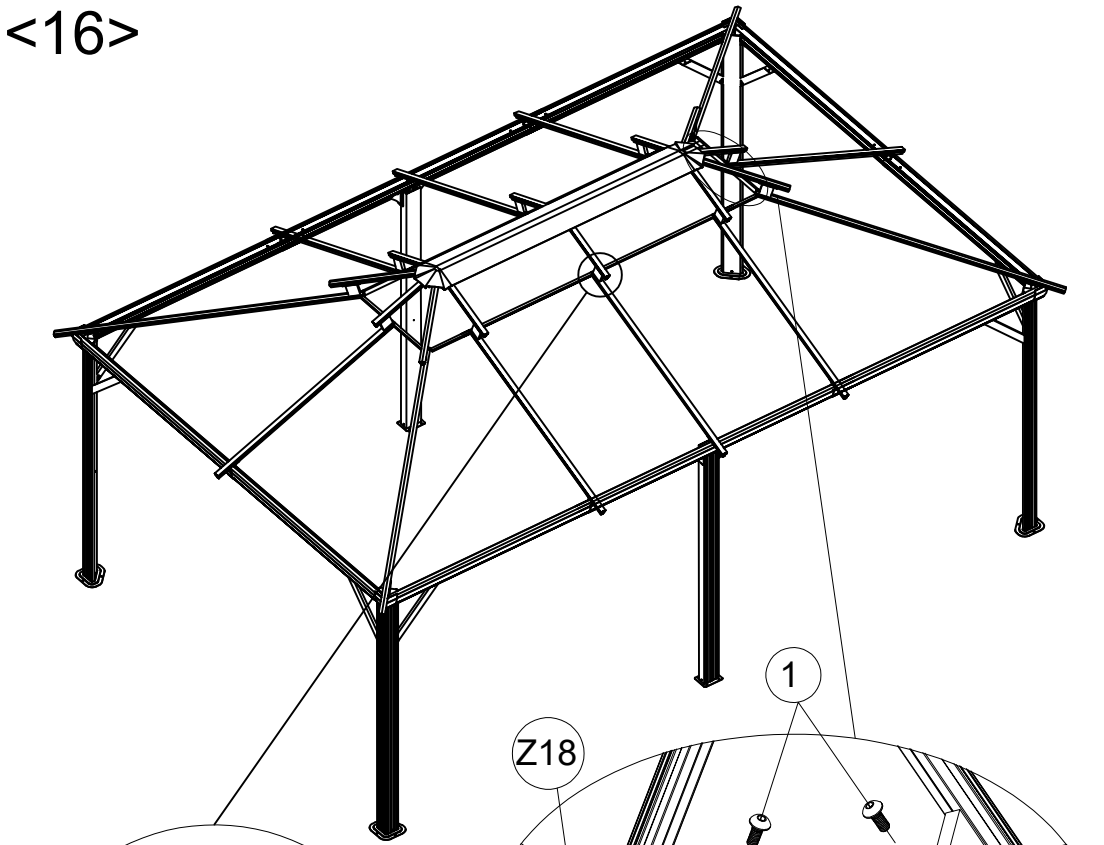
N 4x



N1 2x



1 12x M6x15



21

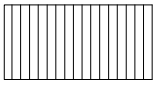
<17>



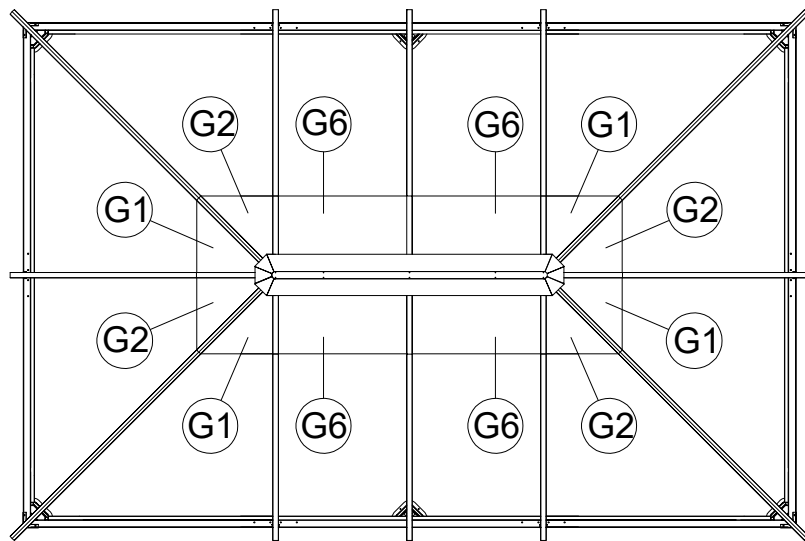
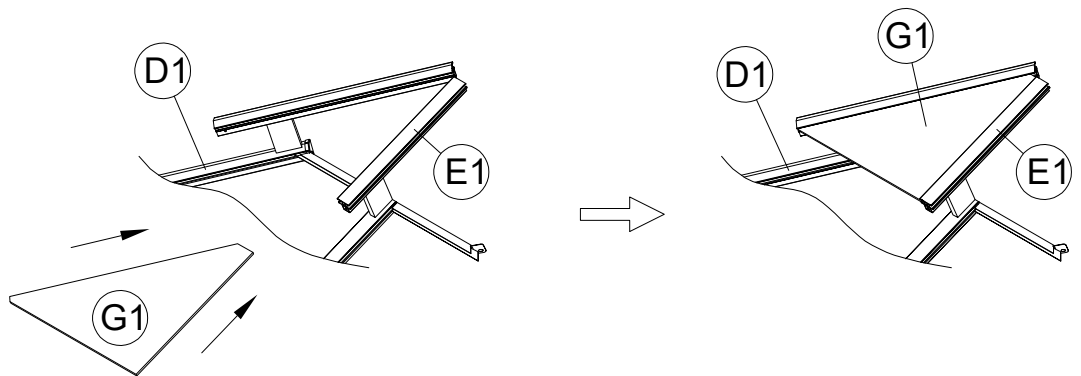
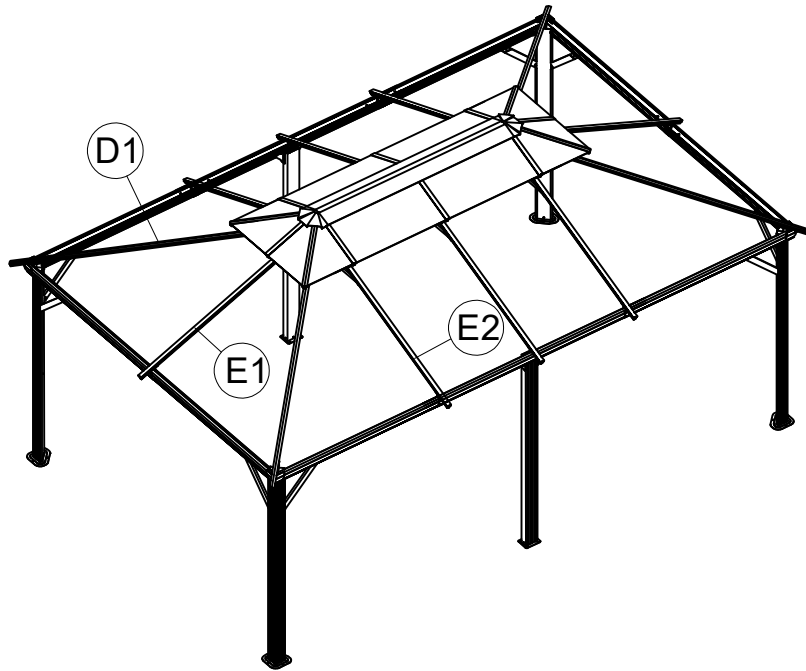
G1 4x

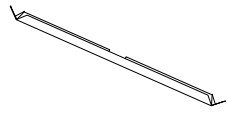


G2 4x



G6 4x

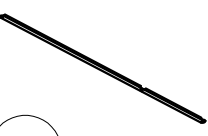




Z3 2x



Z16 2x



Z17 2x



N 4x

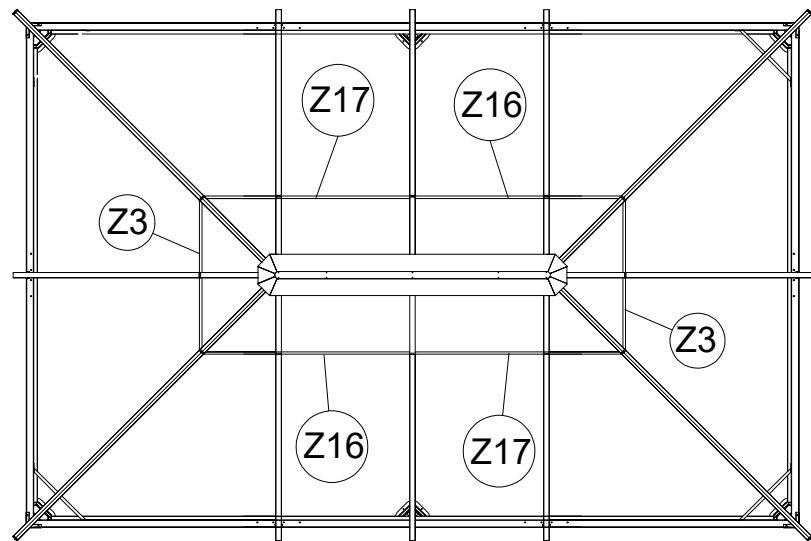
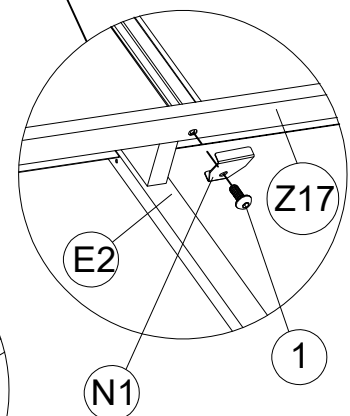
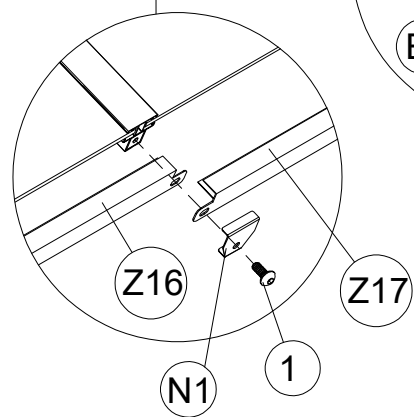
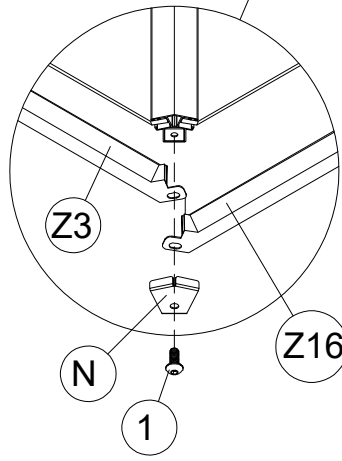
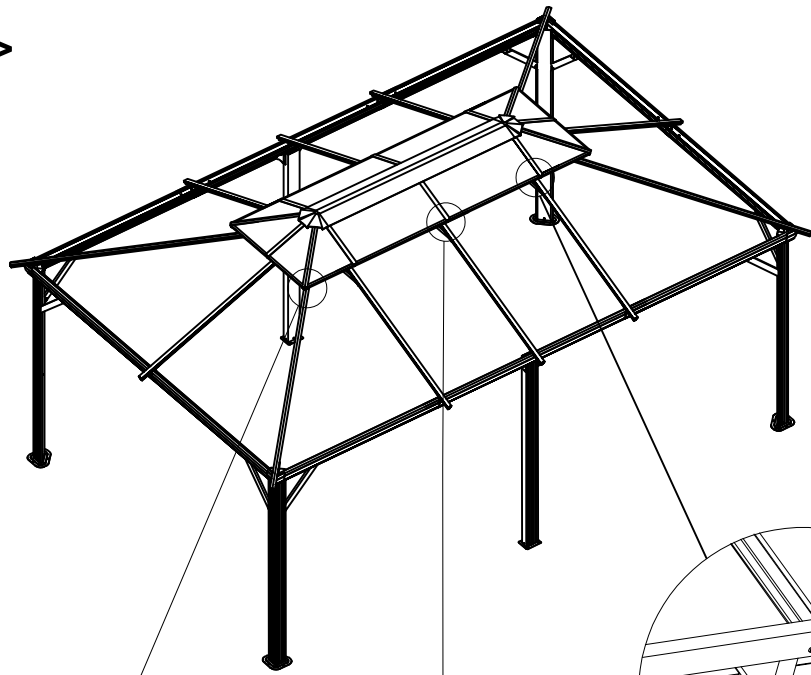


N1 8x

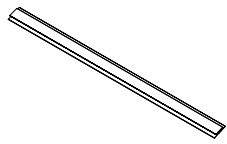


1 12x M6x15

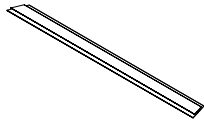
<18>



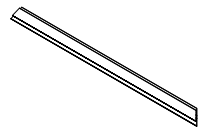
<19>



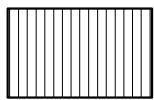
Y9 4x



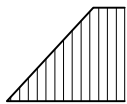
Y1 4x



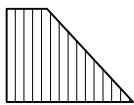
Y2 4x



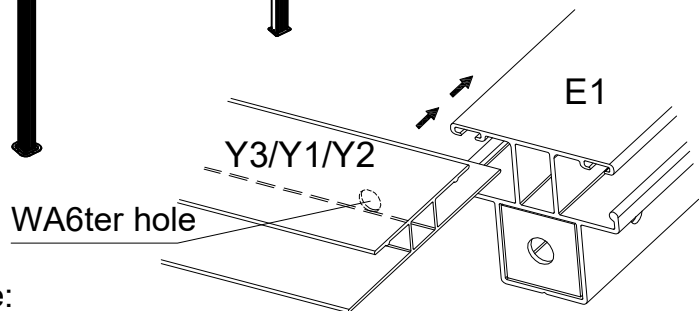
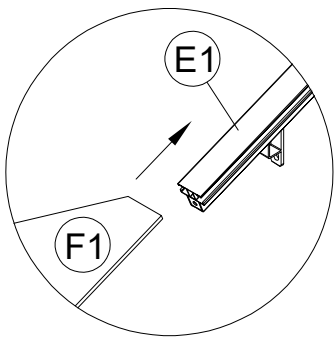
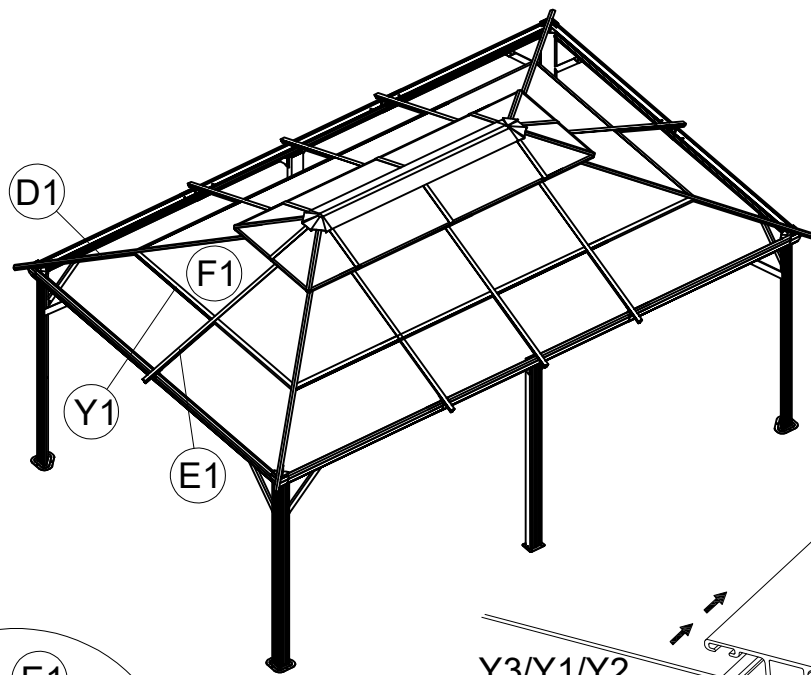
F15 4x



F1 4x

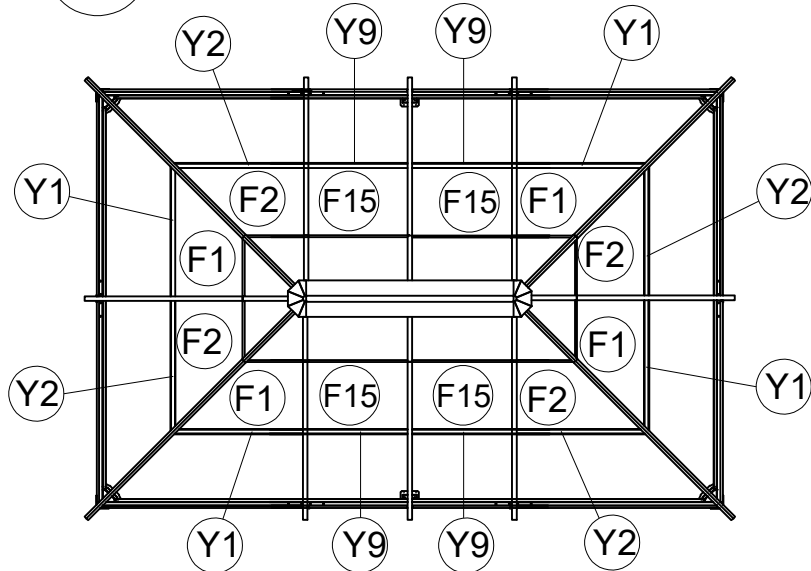
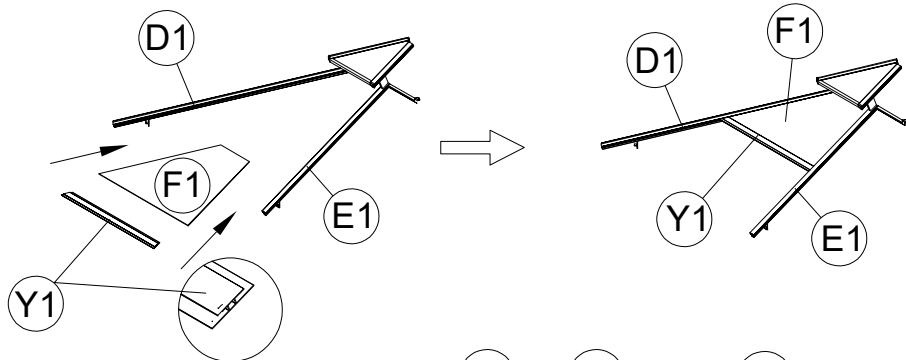


F2 4x



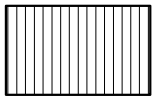
Note:

1. When Y1 or Y2 or Y3 slide into the E1, the wide side must be face down and narrow side face up, otherwise will cause water leaking
2. Y3 or Y1 or Y2 the water holes inside of the tube must be face up. otherwise will cause water leaking

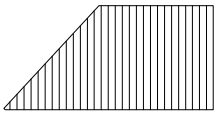




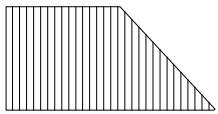
<20>



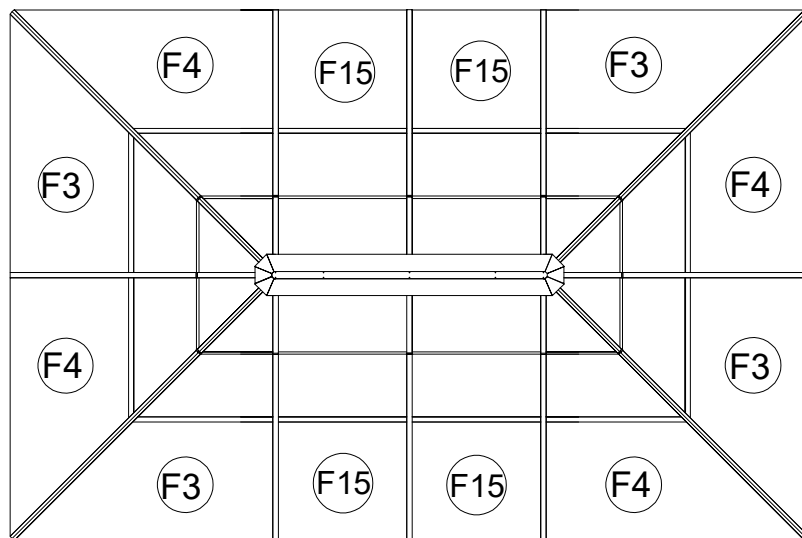
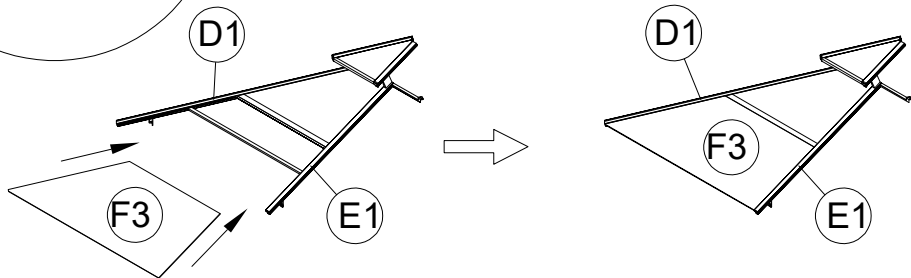
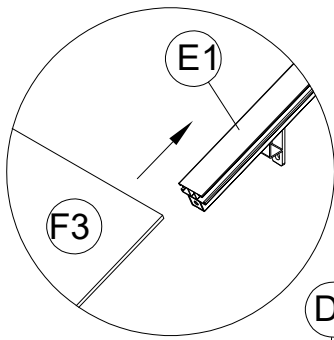
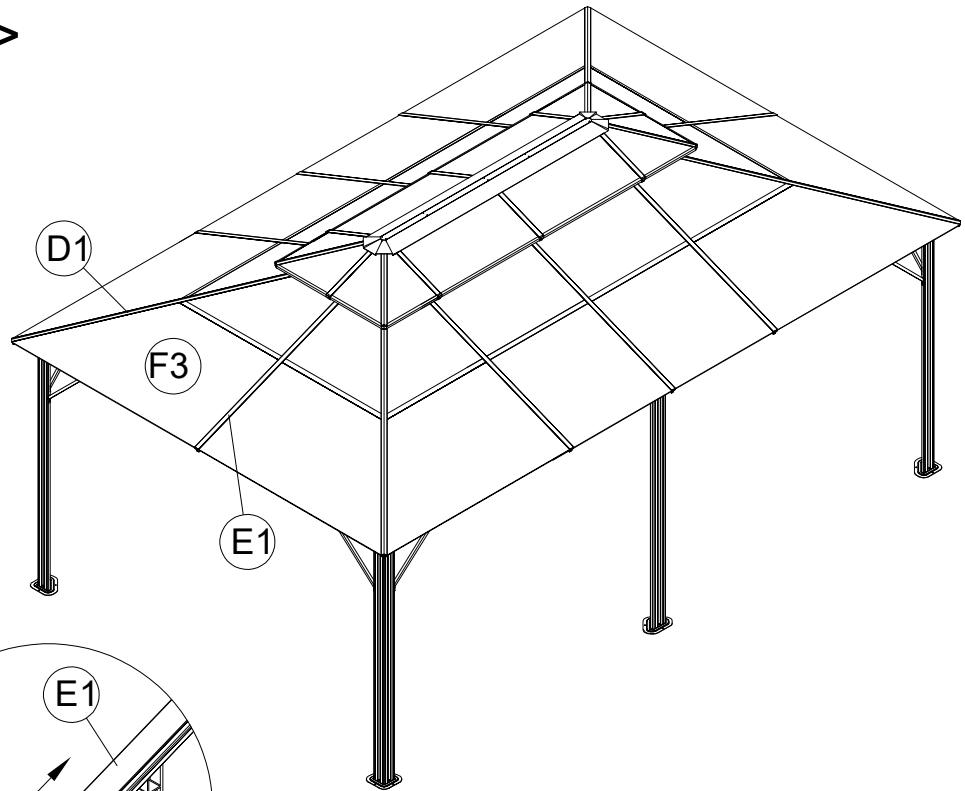
F15 4x



F3 4x

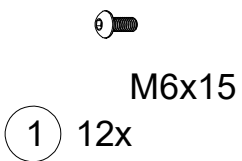
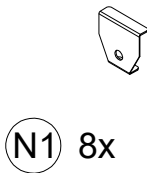
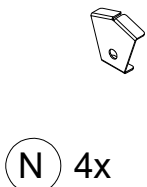
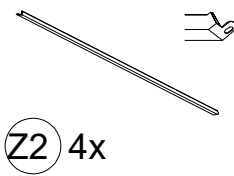
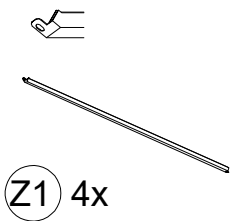
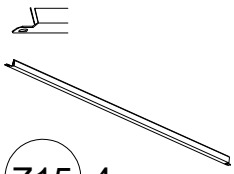


F4 4x

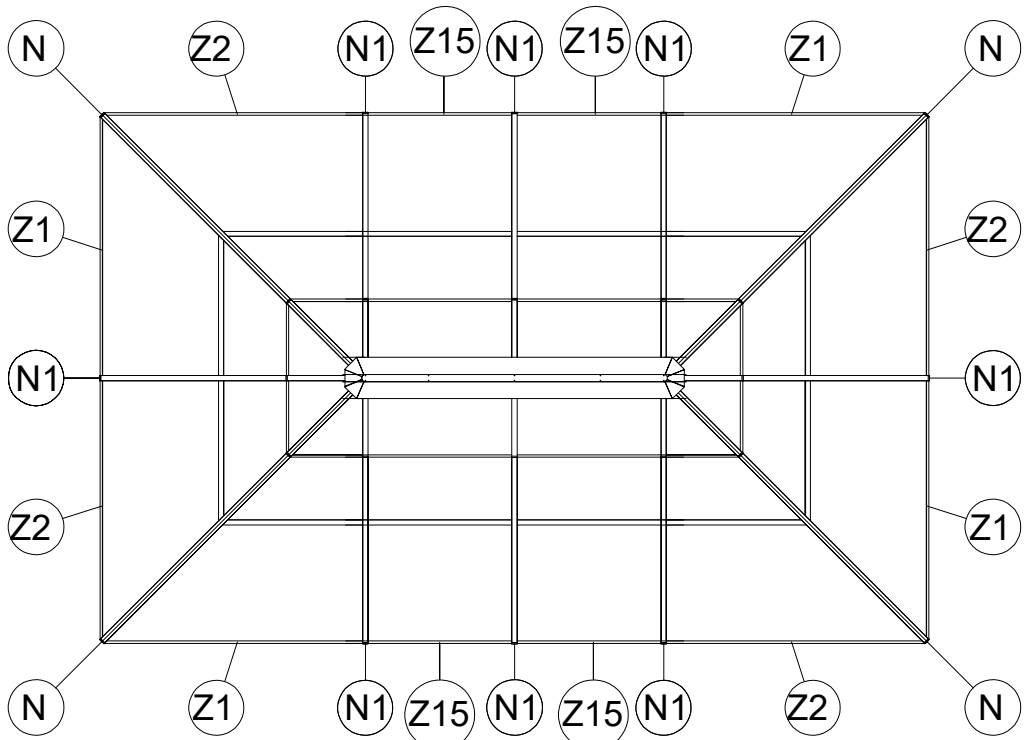
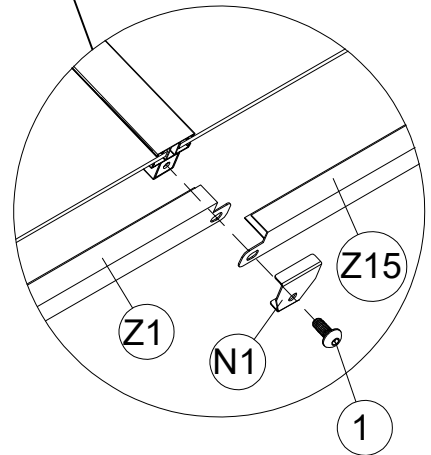
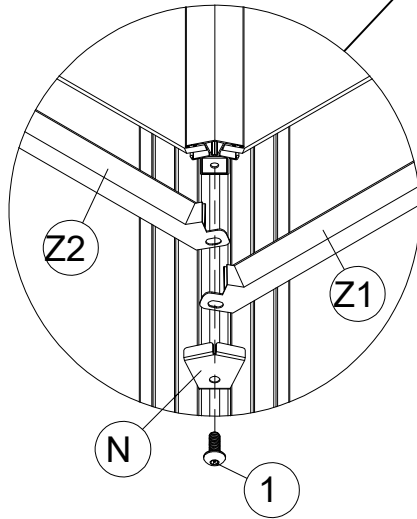
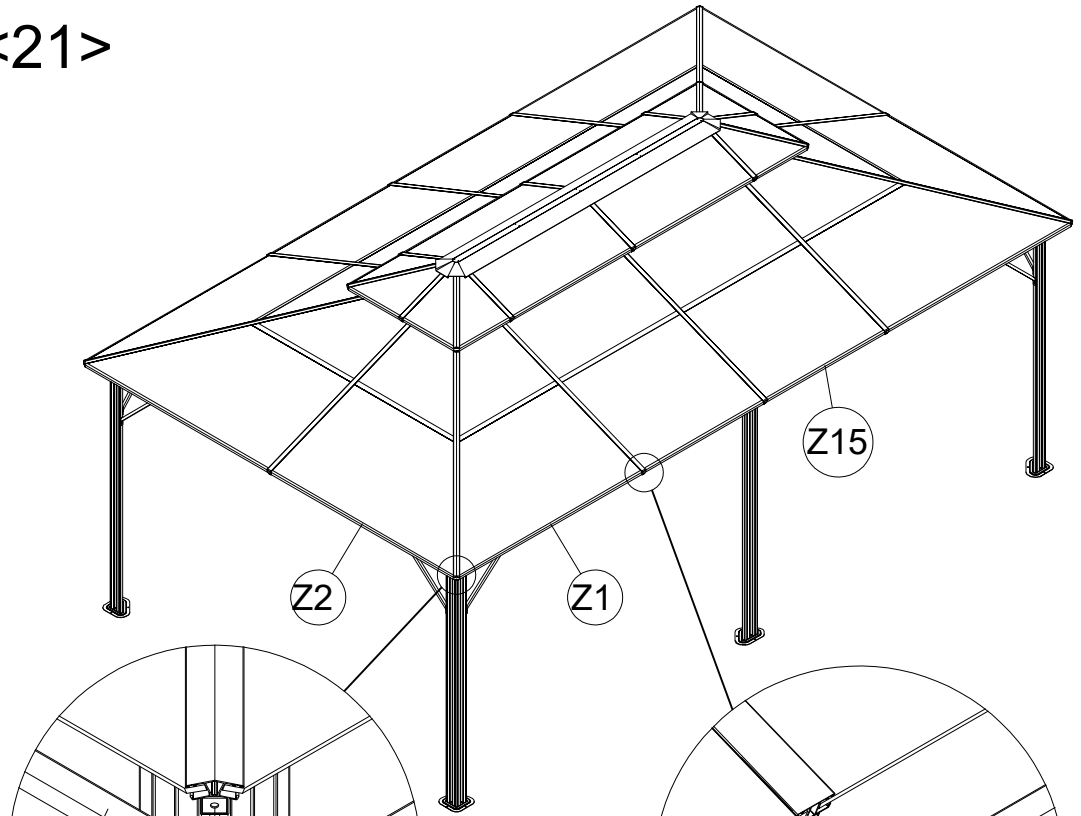


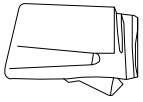
25

<21>



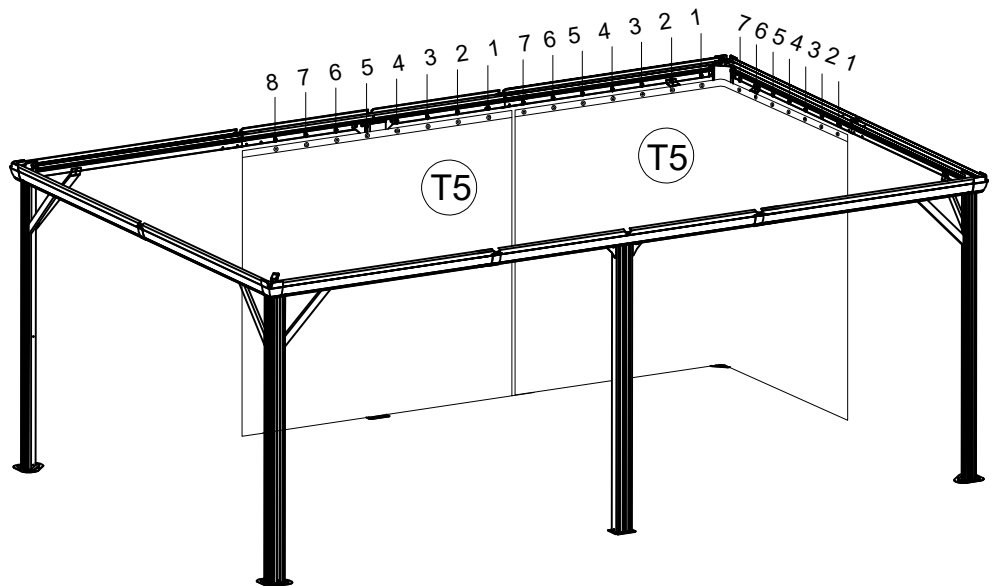
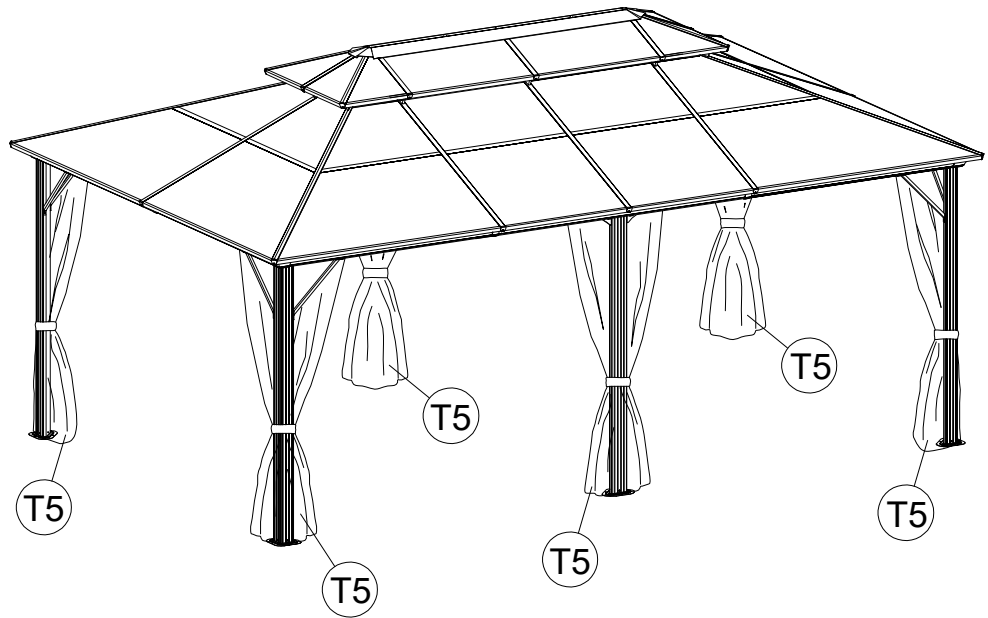
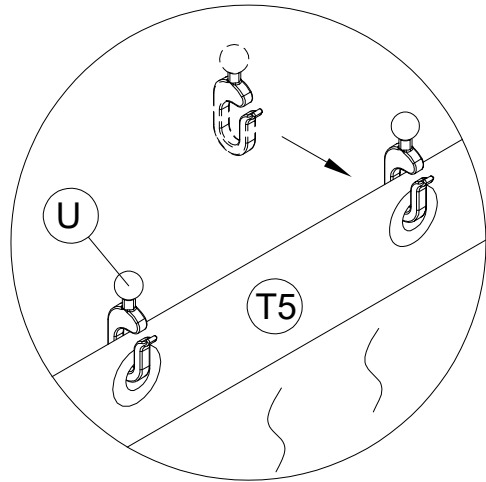
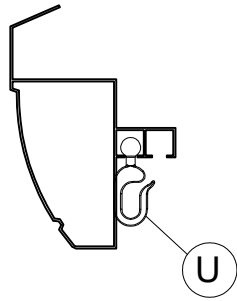
26

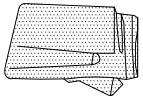




<22>

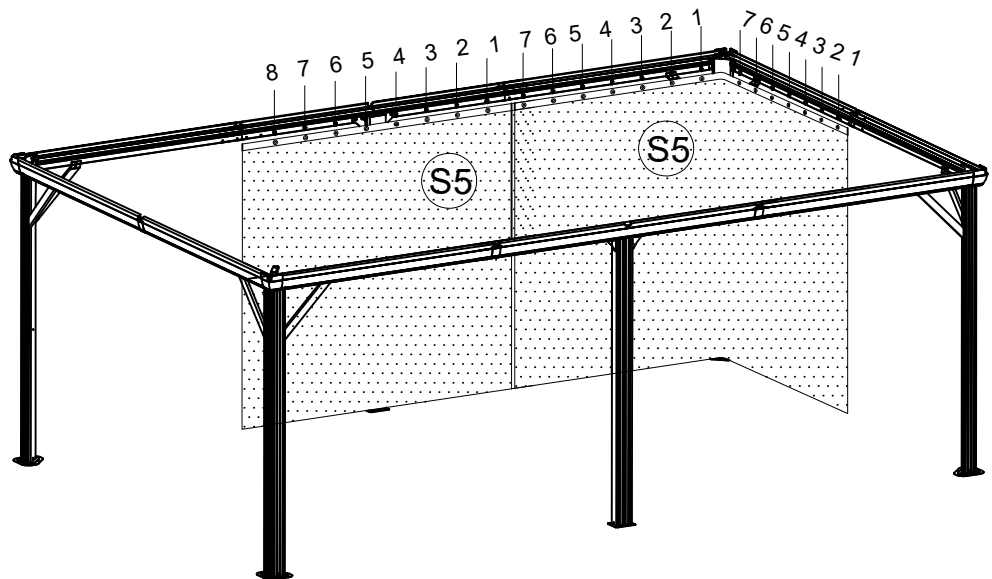
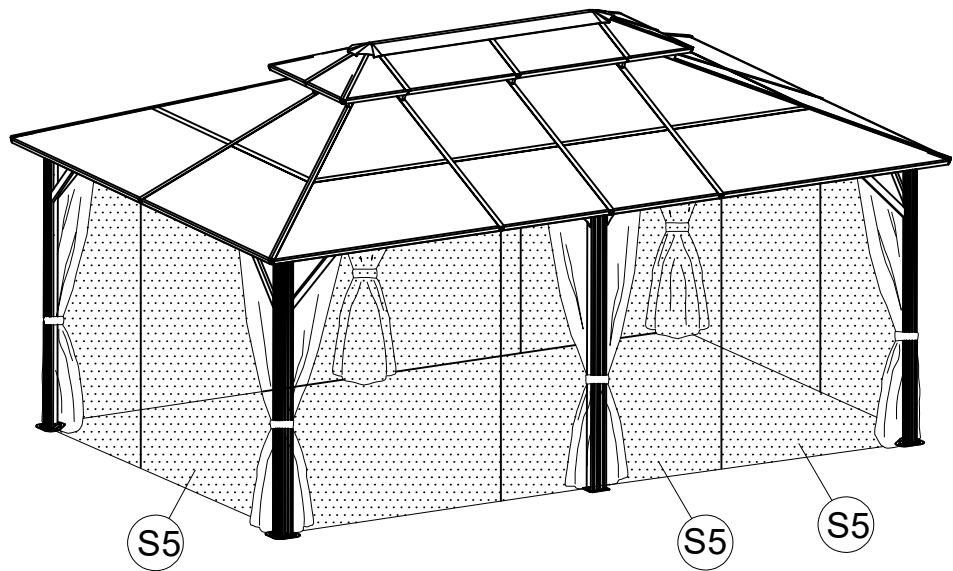
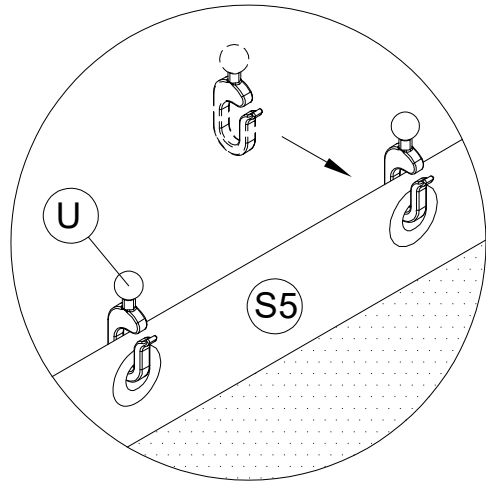
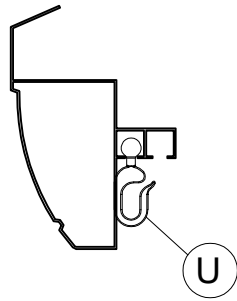
T5 4x + 2x





<23>

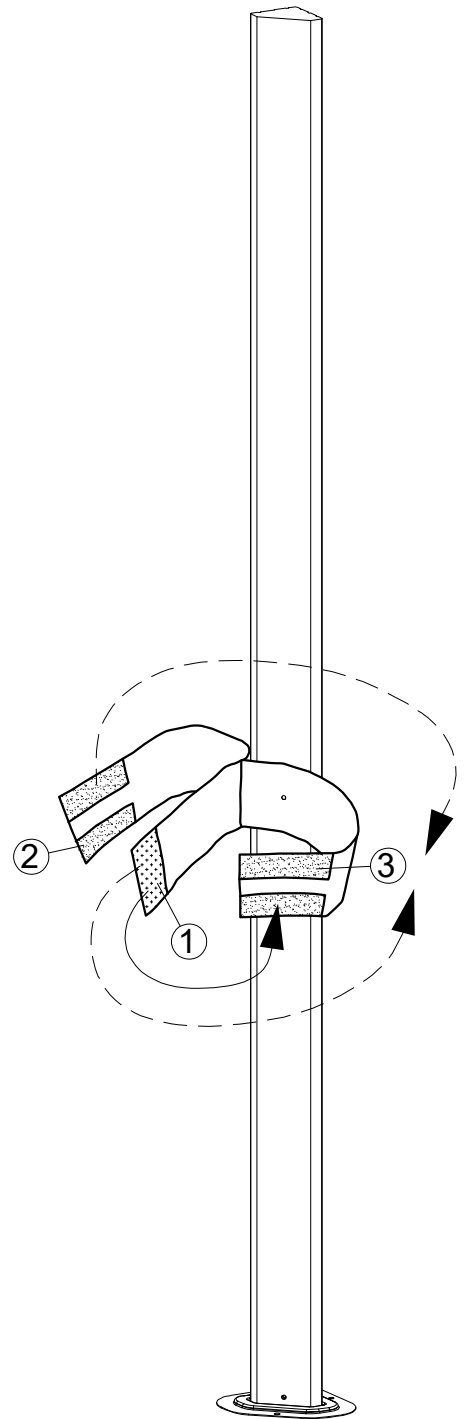
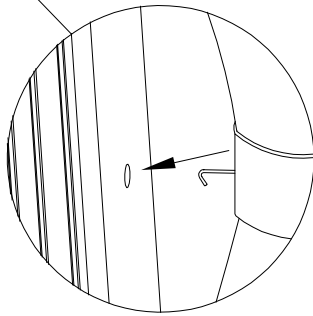
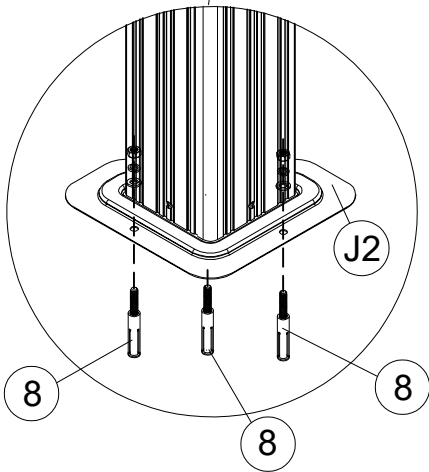
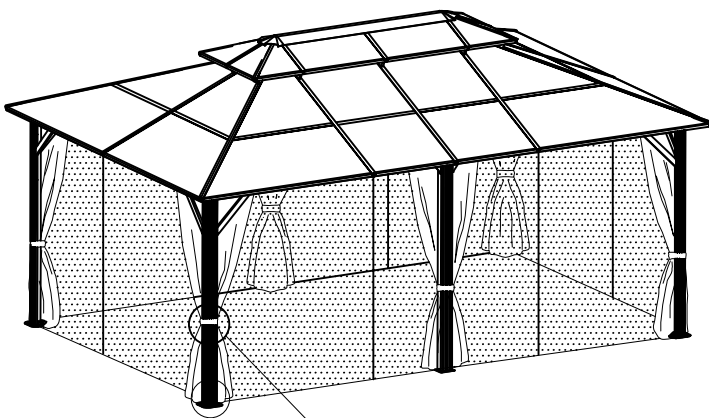
(S5) 4x + 2x





<24>

8 18x



Note:

- 1. 1 stick 2 tie S5 A6nD1 T5 together
- 2. 1 stick 3 towA6rD1s bA6ck tie T5
- 3. 1 stick 3 towA6rD1s front tie S5

Box A		Box C		Box E	
Part #	Qty	Part #	Qty	Part #	Qty
A6	4	L5	1	F1	4
D1	4	M5	1	F2	4
Z1	4	C9	2	F3	4
Z2	4	R	3	F4	4
Z3	2	S5	4+2	F15	8
Z5	2	T5	4+2	G1	4
Z15	4	K1	6	G2	4
Z16	2	N	12	G6	4
Z17	2	N1	18		
Z18	2	X	8		
Z19	2	X1	8		
Y1	4	X2	8		
Y2	4	V	6		
Y9	4	J2	4		
		J1	2		
		U	144		
Box B		W1	2		
Part #	Qty	W2	2		
A2	2	1-9	1		
E1	2				
E2	6				
D2	4	Box D			
H	4	Part #	Qty		
H1	4	B2	4		
K	4	B3	4		
P	6				