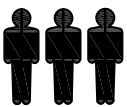
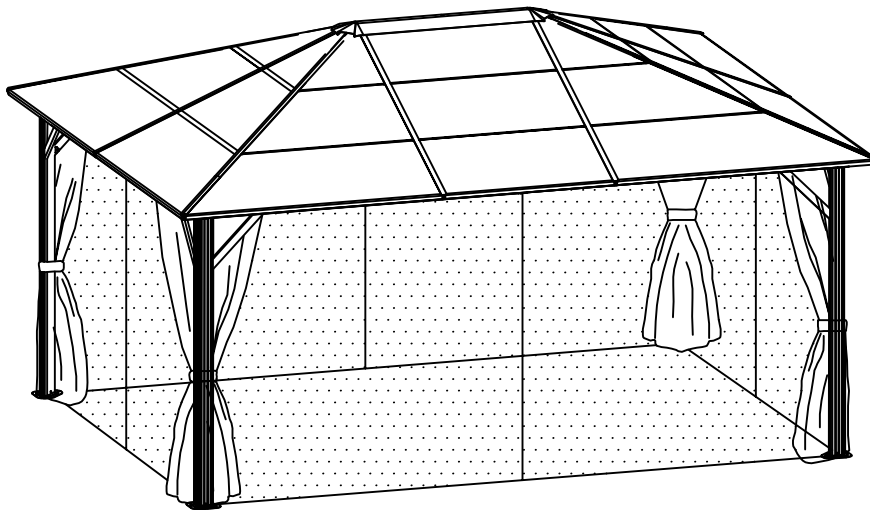


# 12 x 16 FT

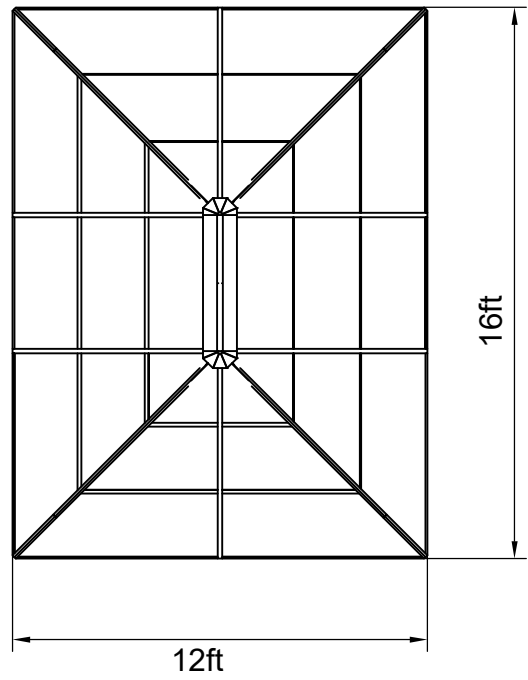
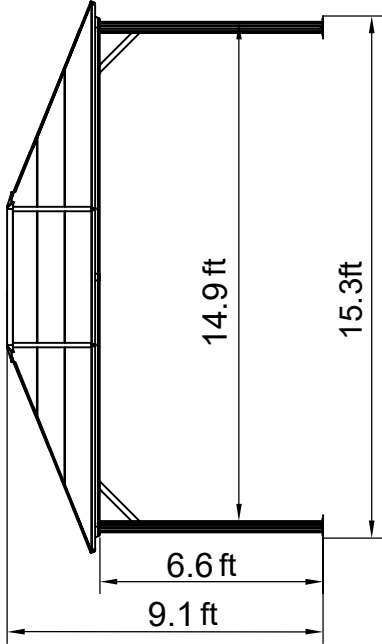
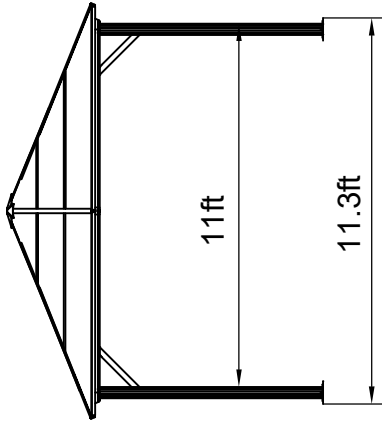
□ □ □ □ □ □ □ □ □ JFG-005 □ □ □ □ □ □ □ □ □




At least need 3 people work together


## REQUIRED TOOLS









(A5) 4x




(B2) 2x




(B3) 2x



(C2) 2x




(C3) 2x



(D3) 4x



(D5) 4x




(E3) 6x



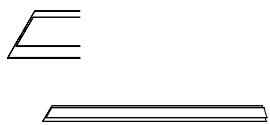
(Y) 4x



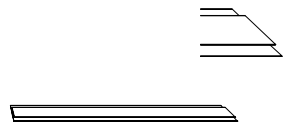
(Y5) 4x




(Y6) 4x




(Y7) 4x



(Y8) 4x




(Z) 2x



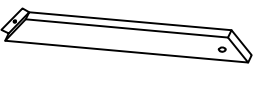
(Z1) 4x



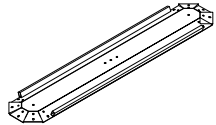
(Z2) 4x



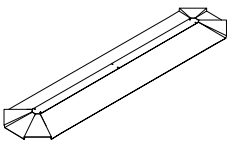
(H) 4x



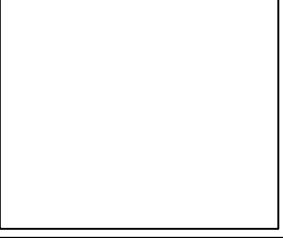
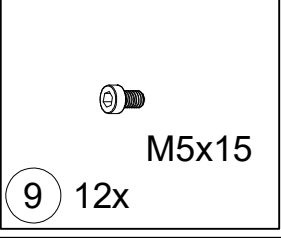
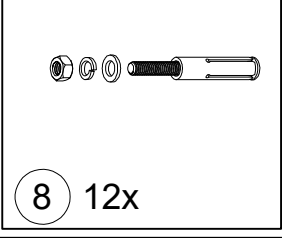
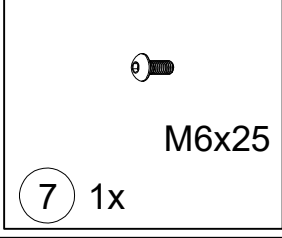
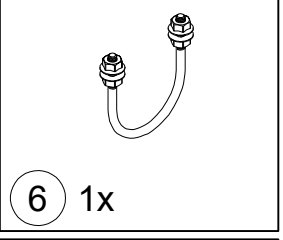
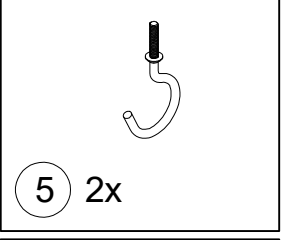
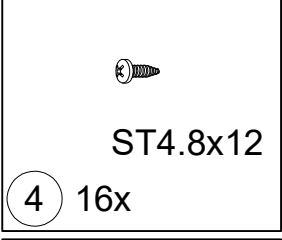
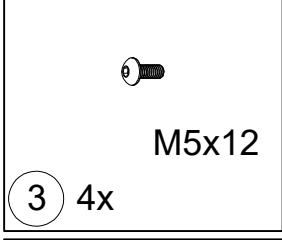
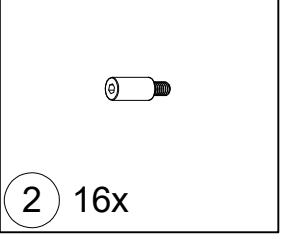
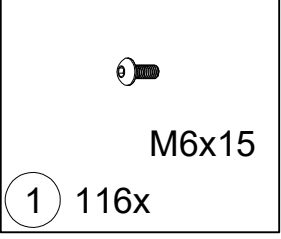
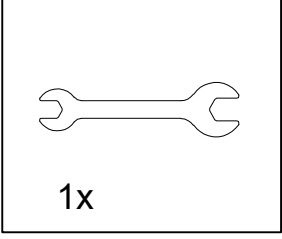
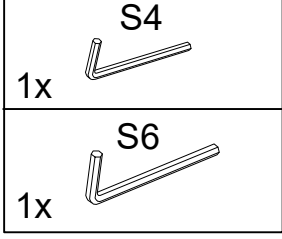
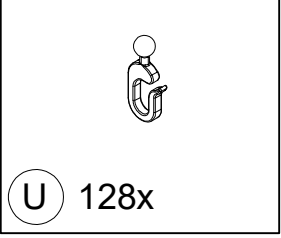
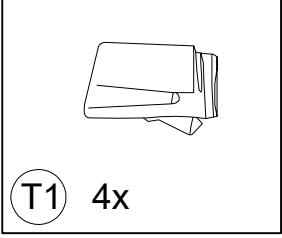
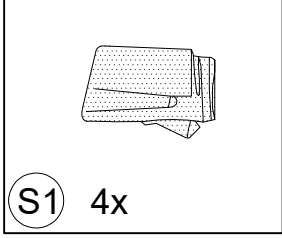
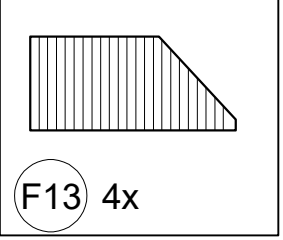
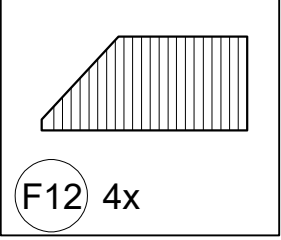
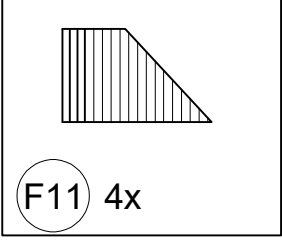
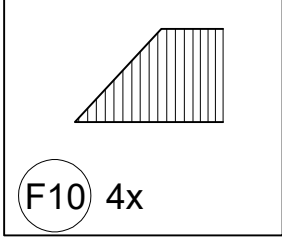
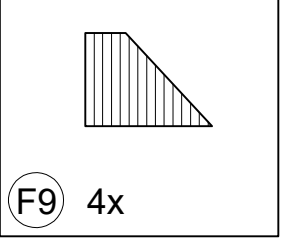
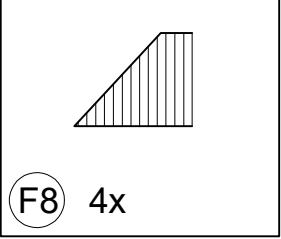
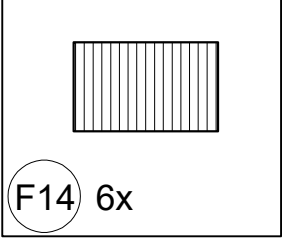
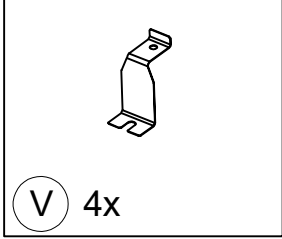
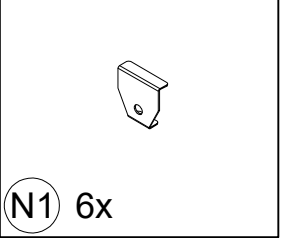
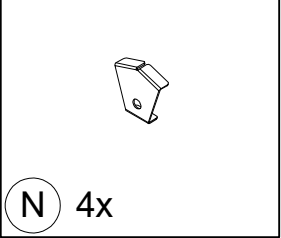
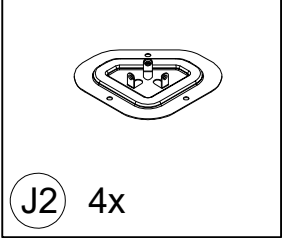
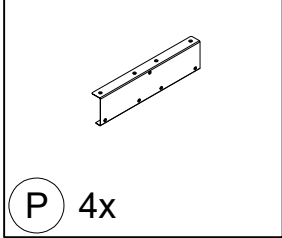
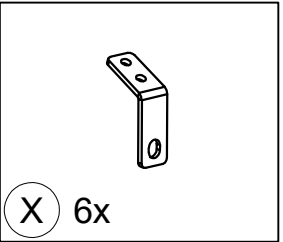
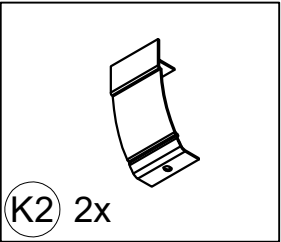
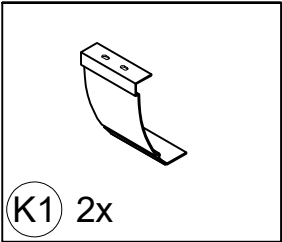
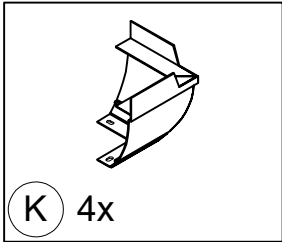
(H1) 4x



(L1) 1x



(M1) 1x



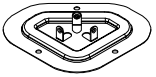


<1>

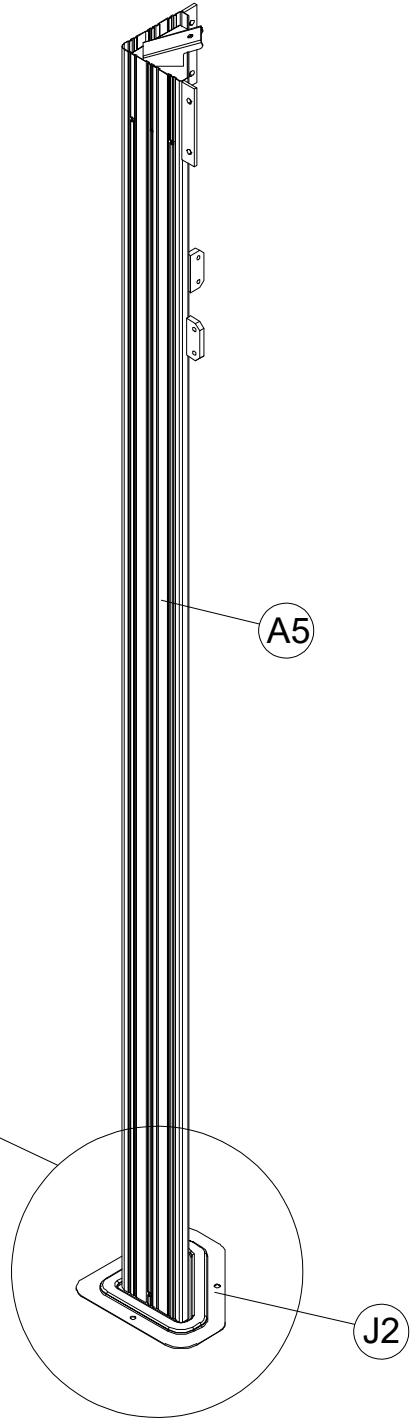
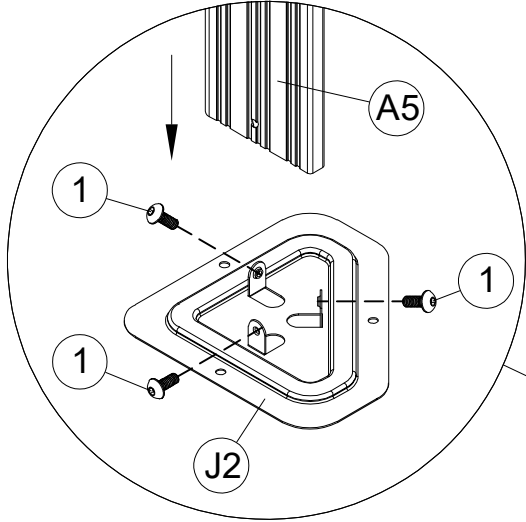
A5 4x



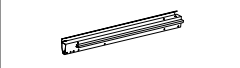
1 M6x15  
12x



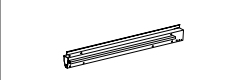
J2 4x



<2>



B2 2x



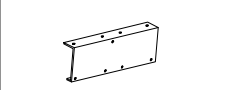
B3 2x



C2 2x



C3 2x

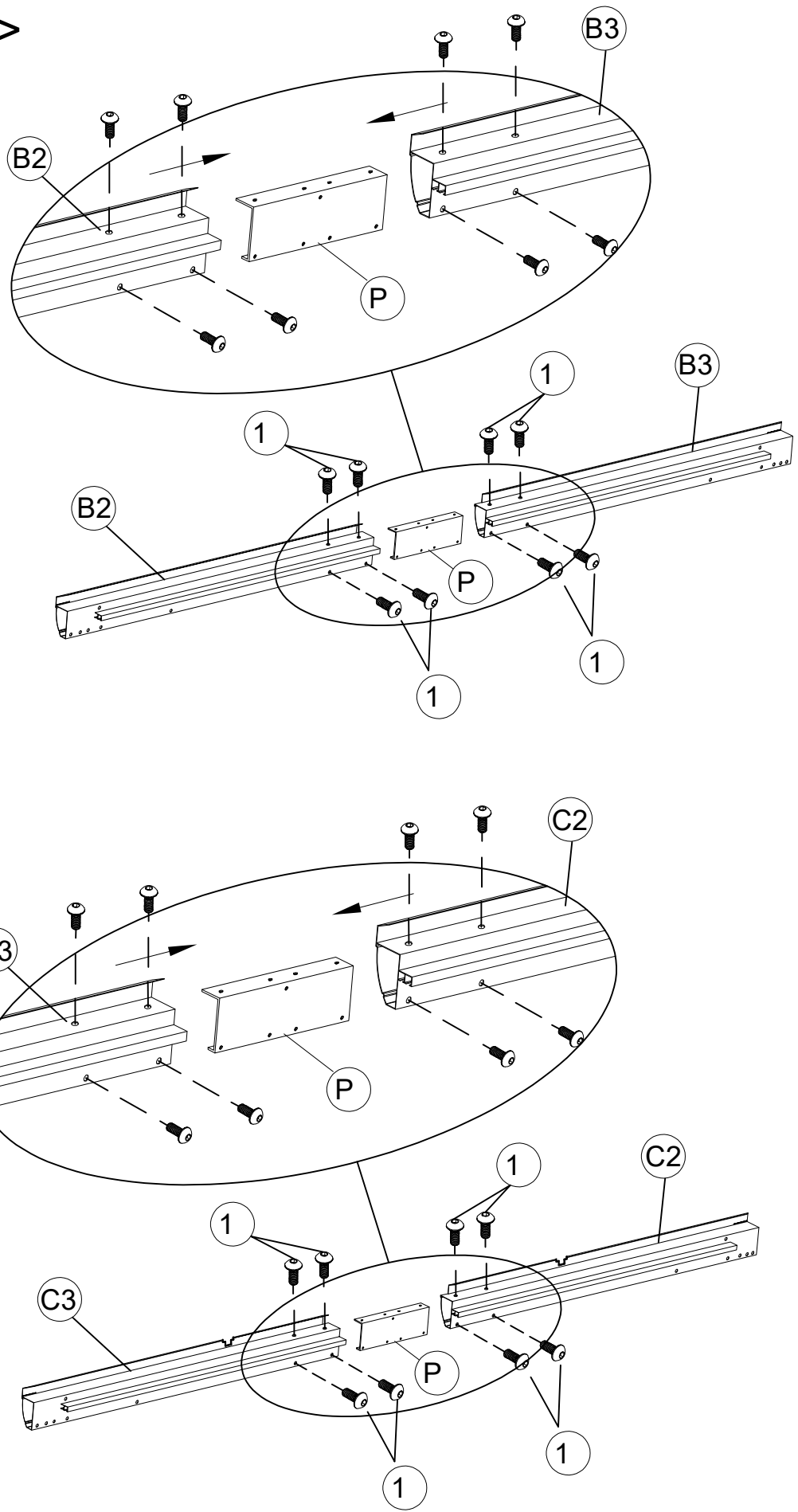


P 4x



1 32x M6x15

6



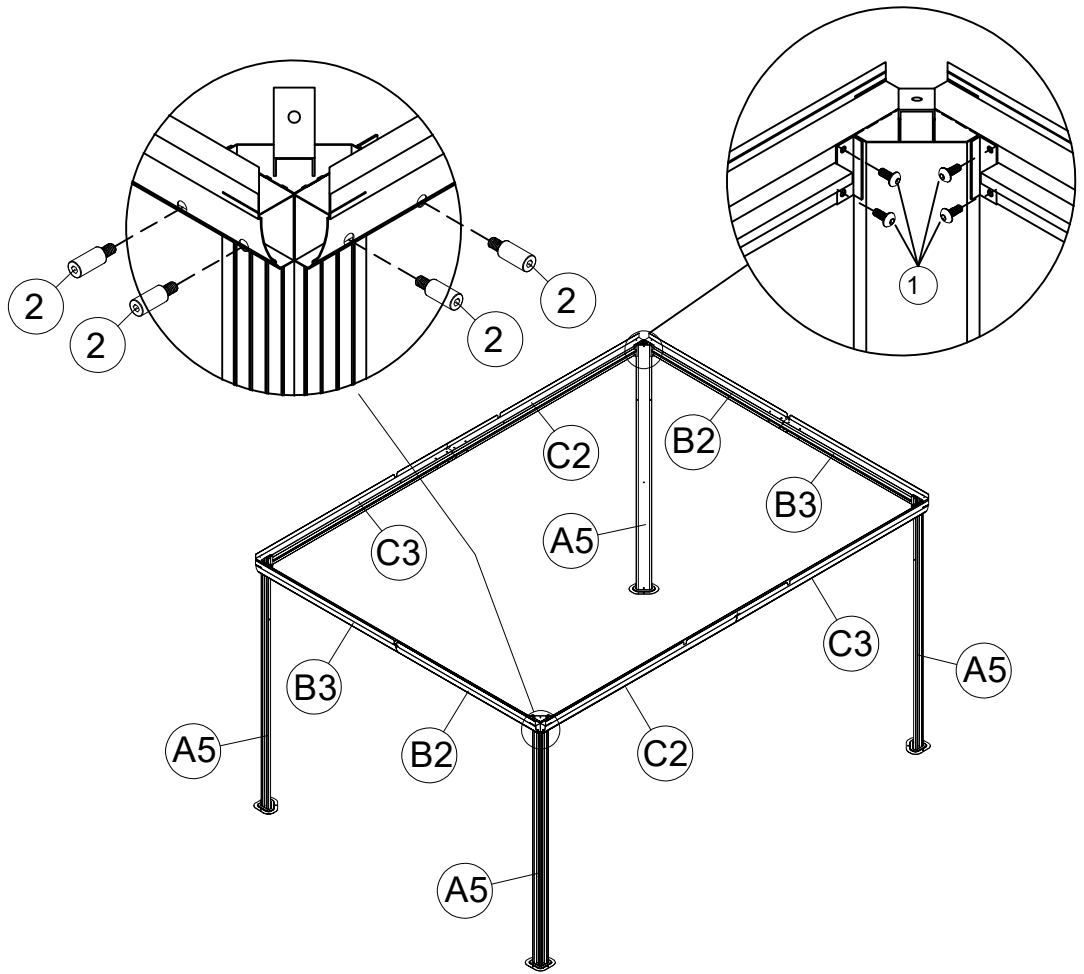


<3>

1 M6x15  
16x



2 16x





<4>

H 4x

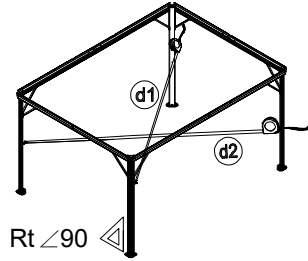


H1 4x

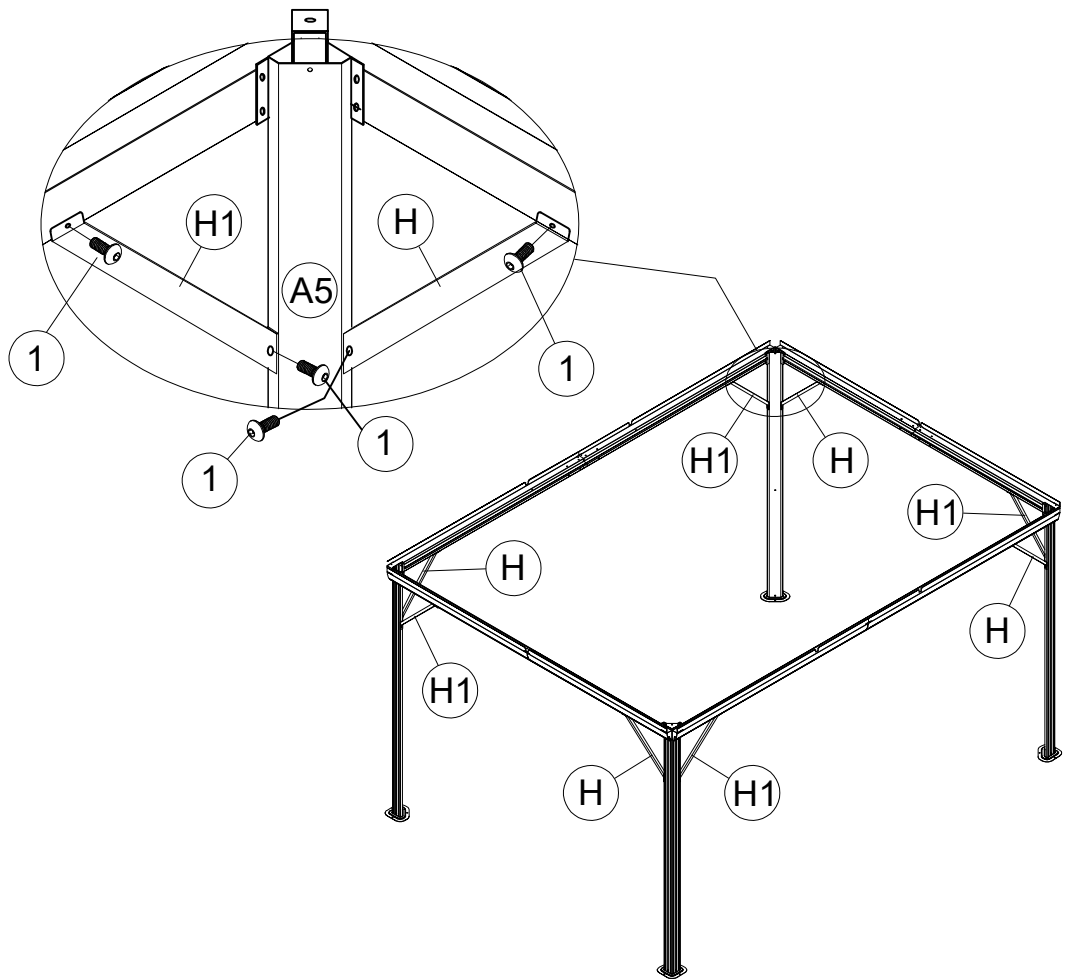


1 16x M6x15

i d1=d2

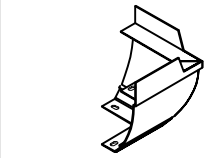


Tips: Please measure to make sure the length of d1 is equal to d2 before moving to next step to ensure a square frame and best results. Keep the beam at right angles to the post, the post at right angles to the ground, and keep the beam horizontal.

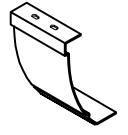


8





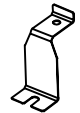
(K) 4x



(K1) 2x



(K2) 2x



(V) 4x



(U) 128x



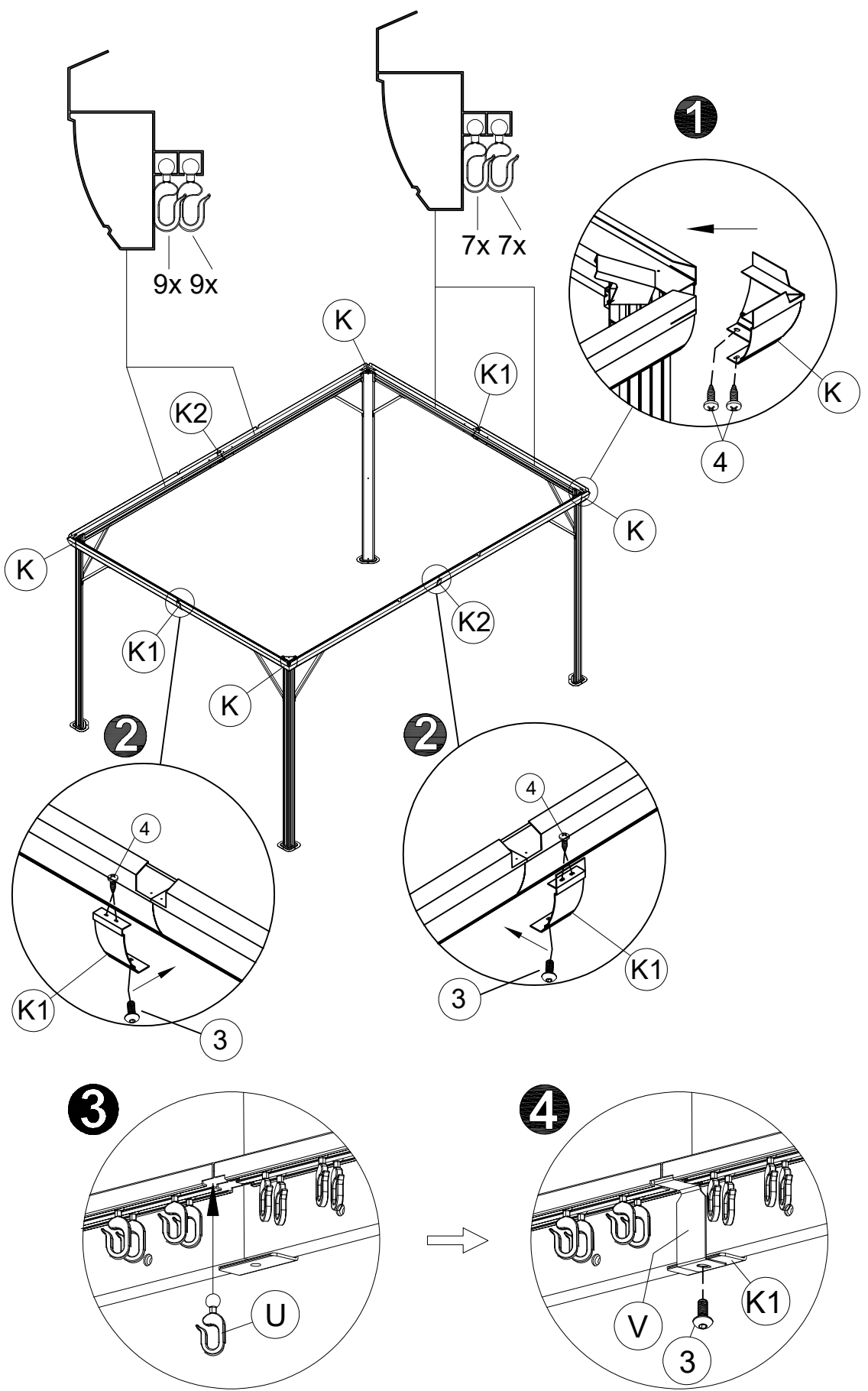
(3) 4x M5x12

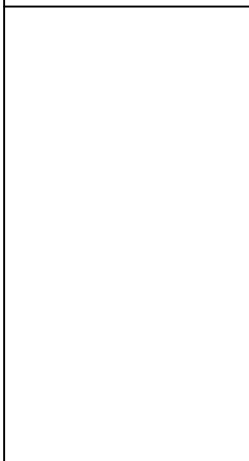
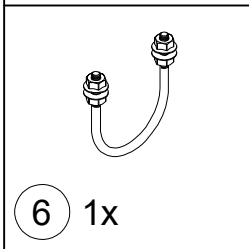
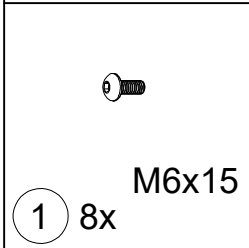
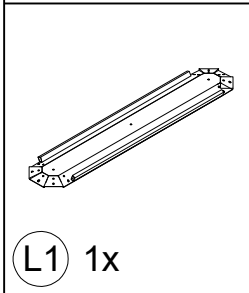
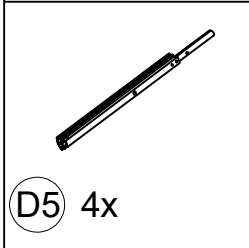
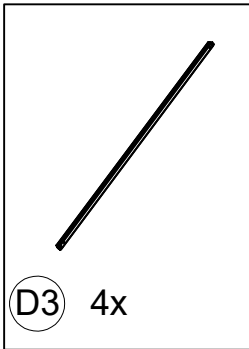


(4) 16x ST4.8 x12

9

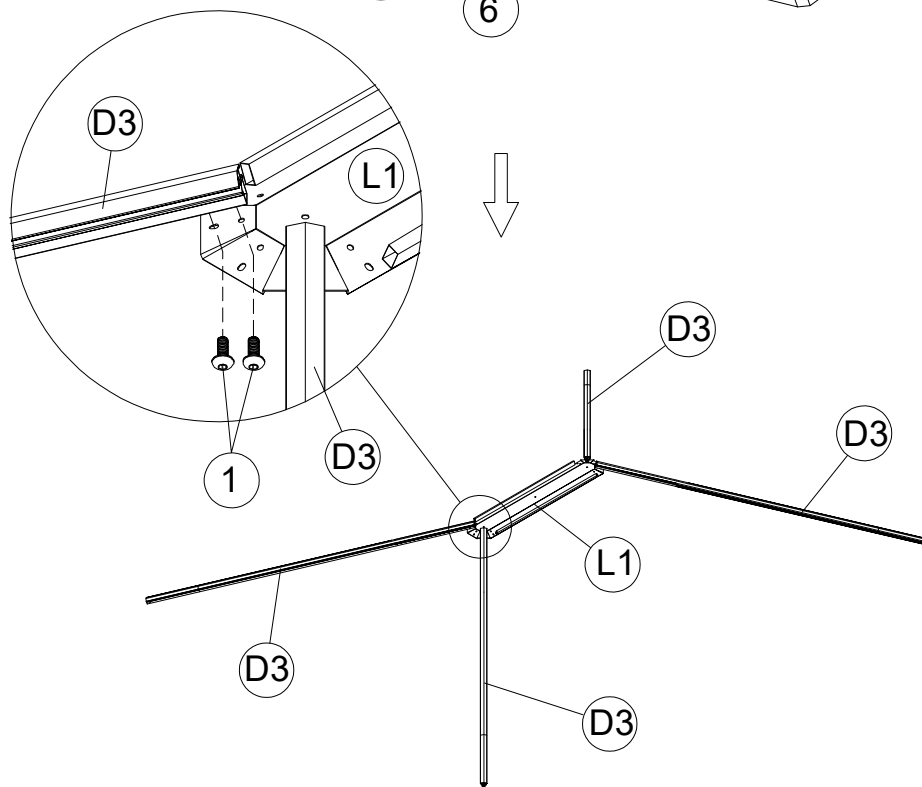
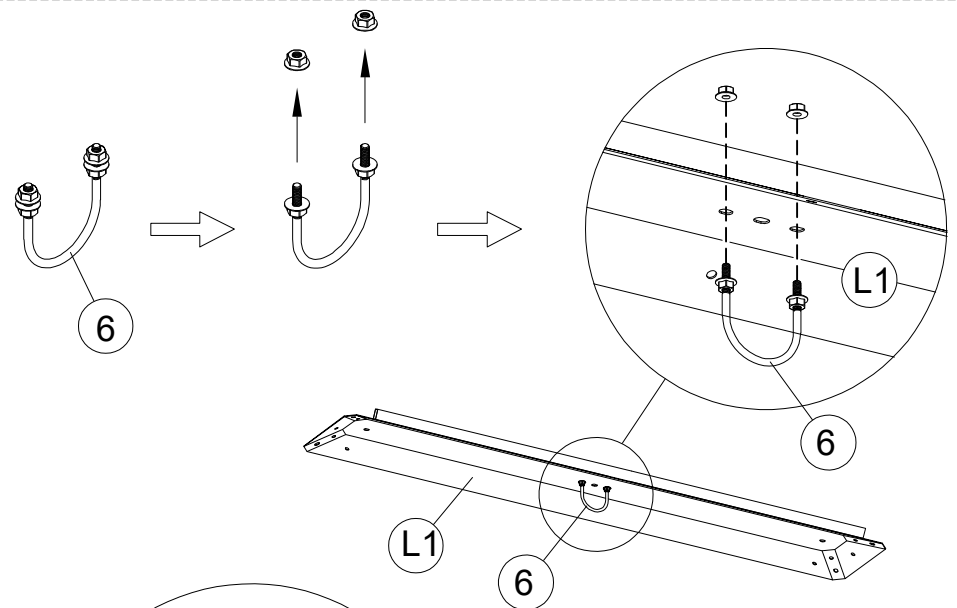
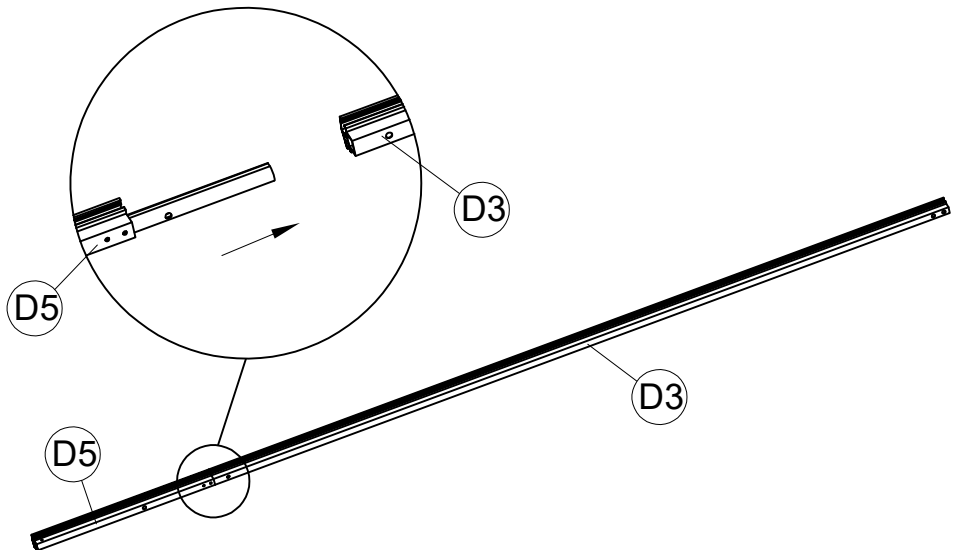
<5>





10

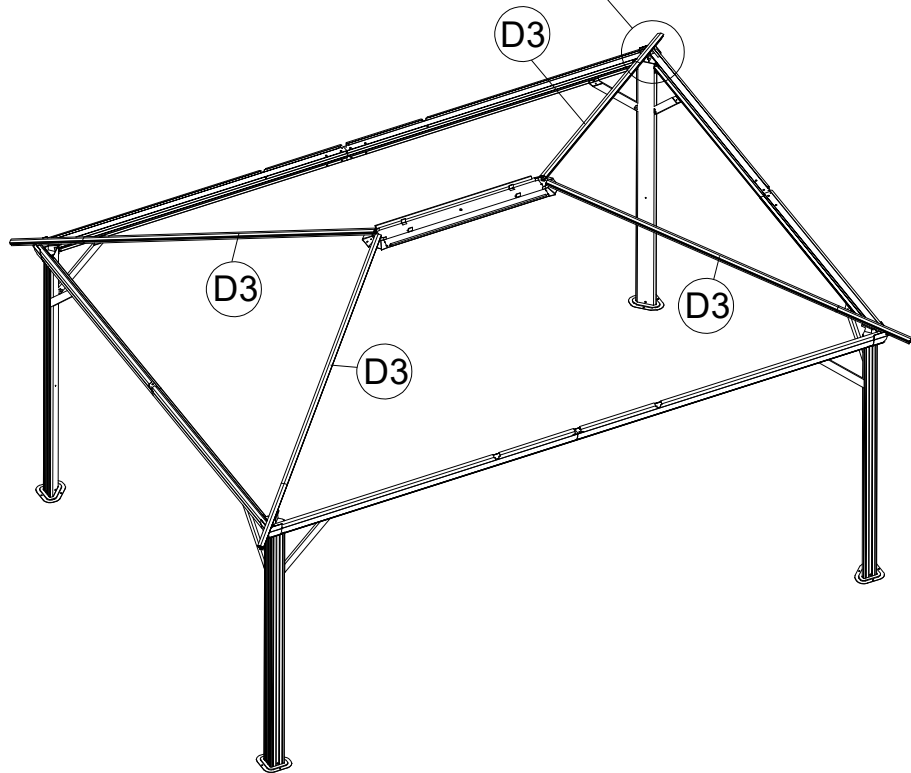
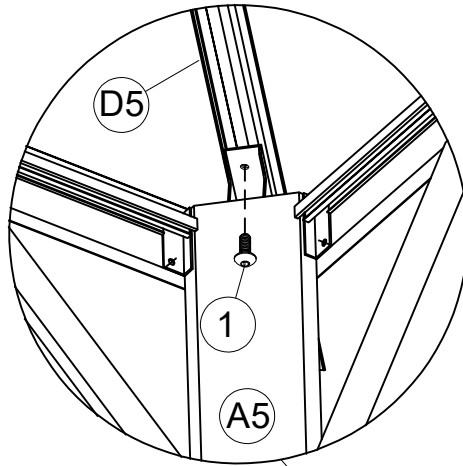
<6>

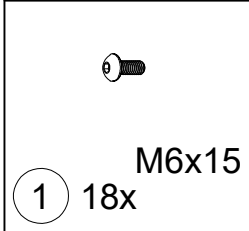
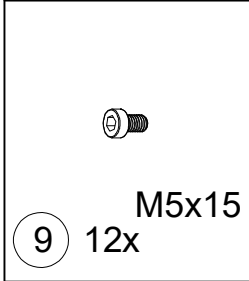
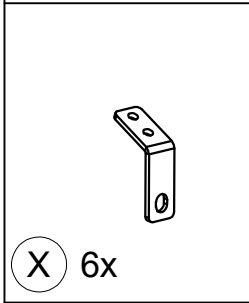
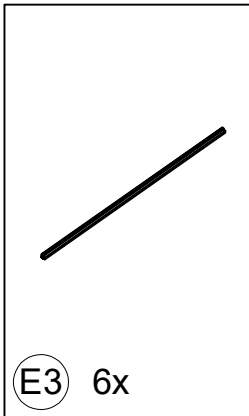




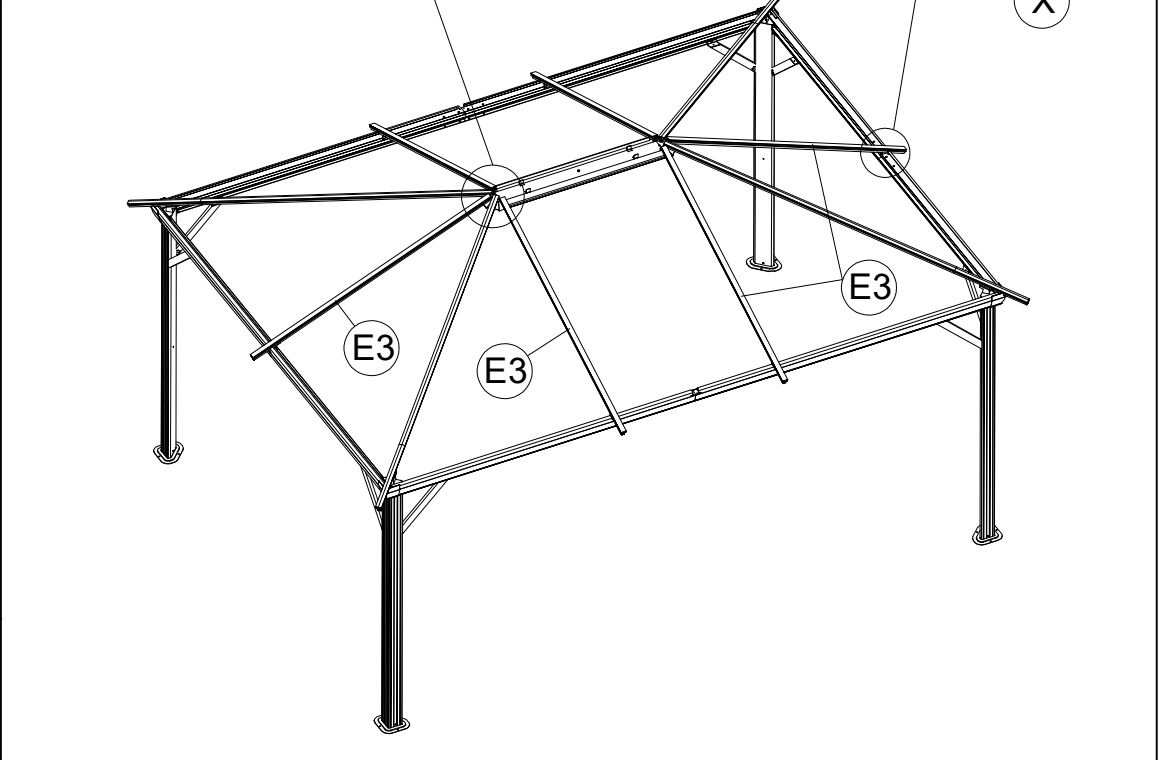
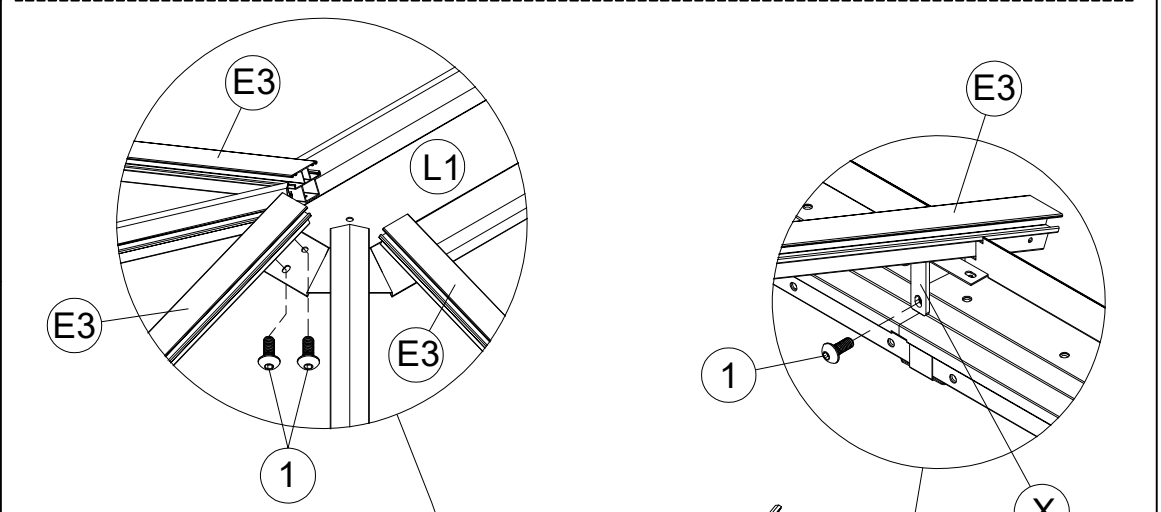
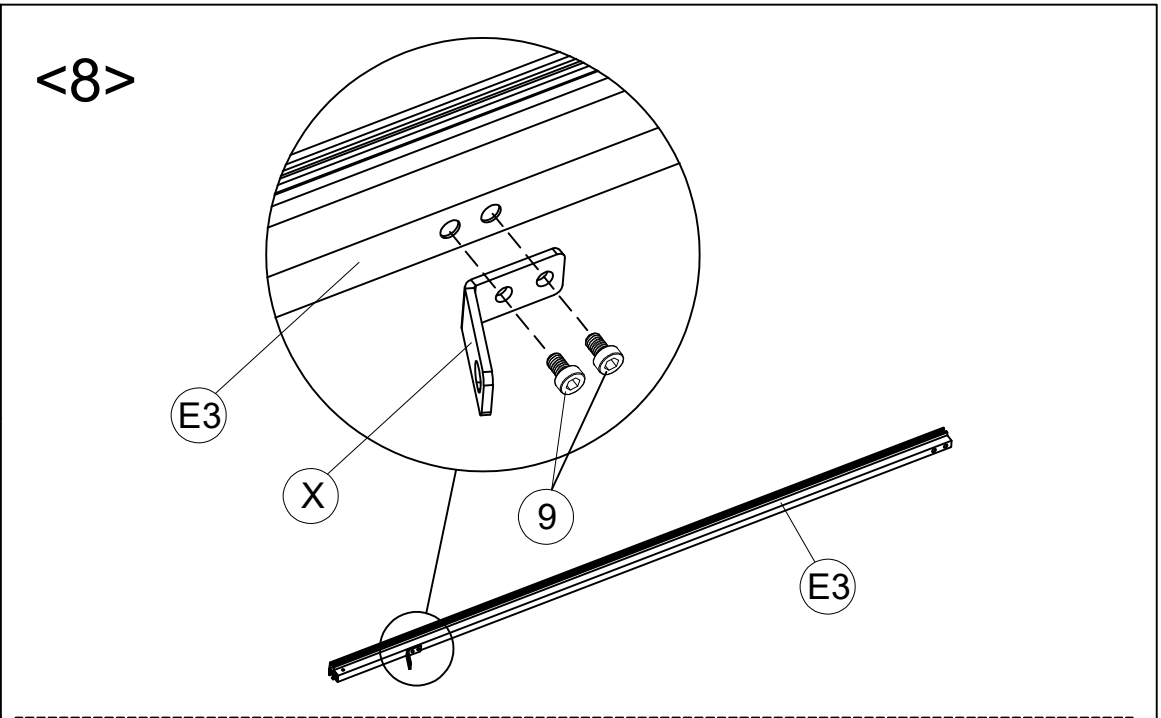
<7>

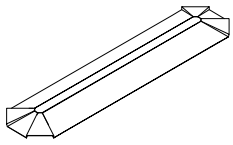
1 4x M6x15





12

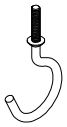




M1 1x

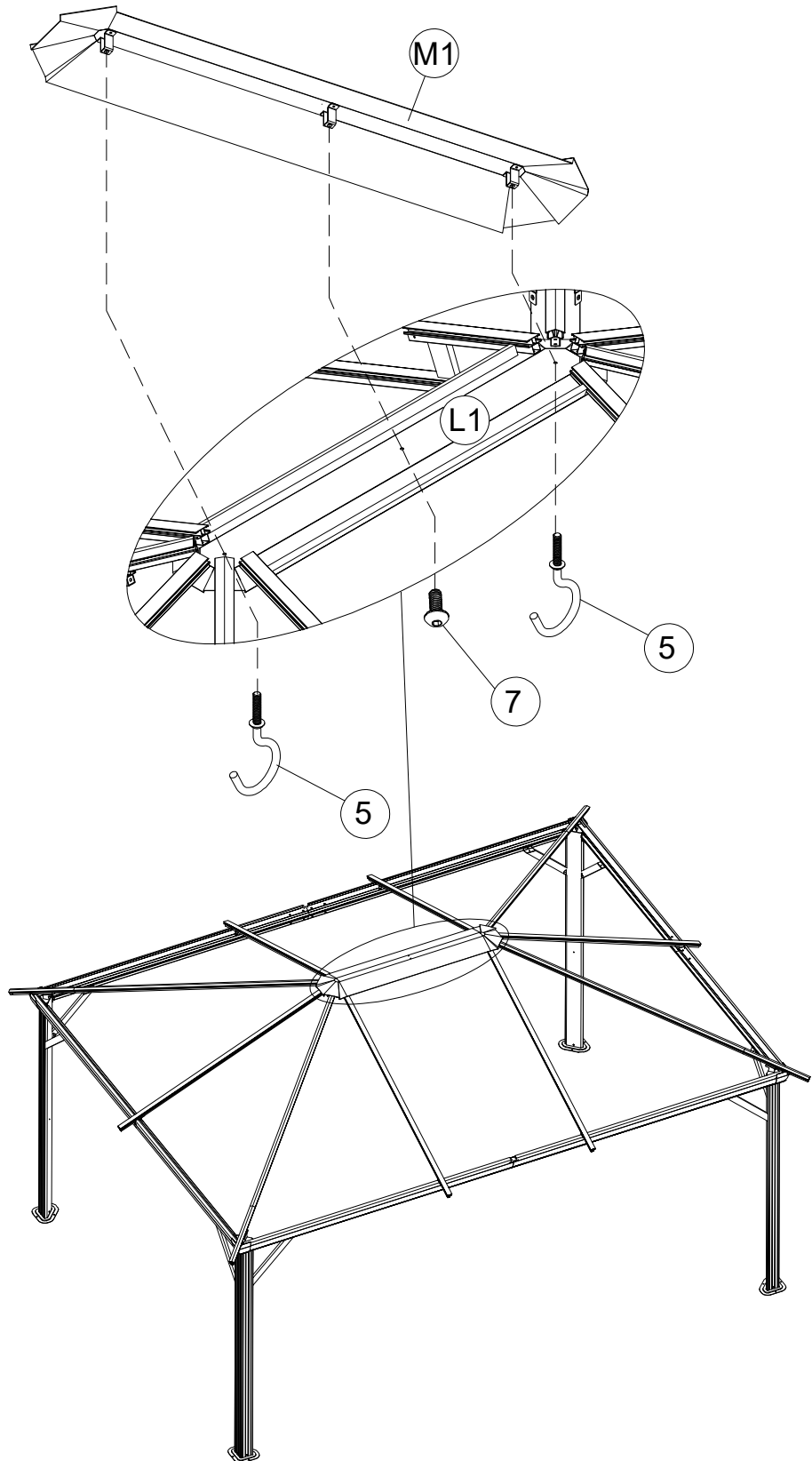


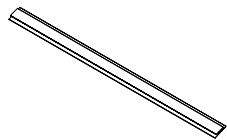
7 1x M6x25



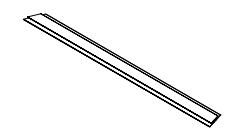
5 2x

<9>

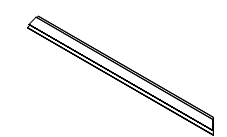




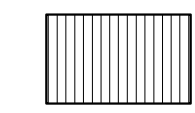
Y 2x



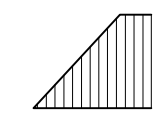
Y7 4x



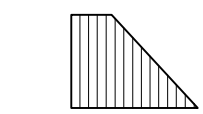
Y8 4x



F14 2x

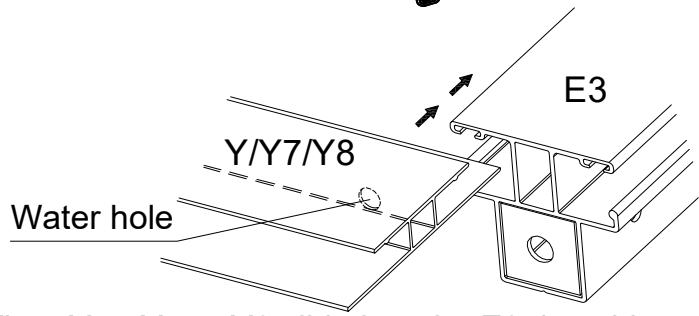
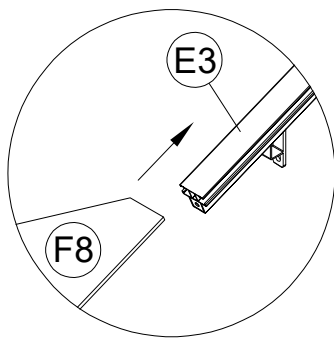
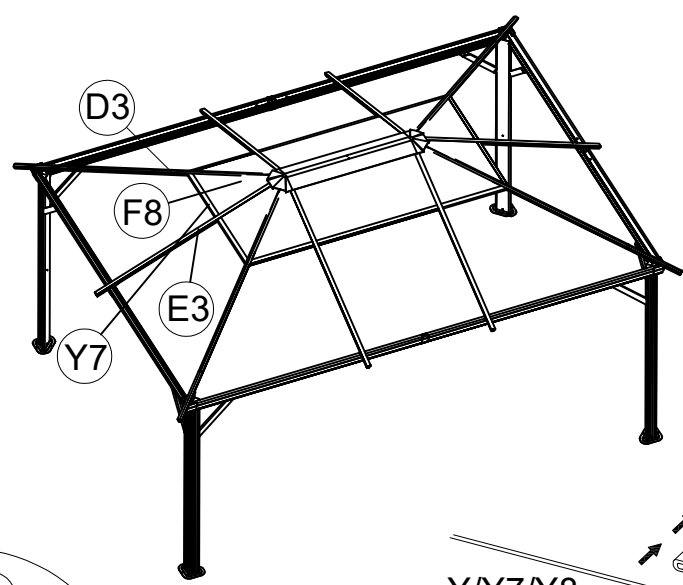


F8 4x



F9 4x

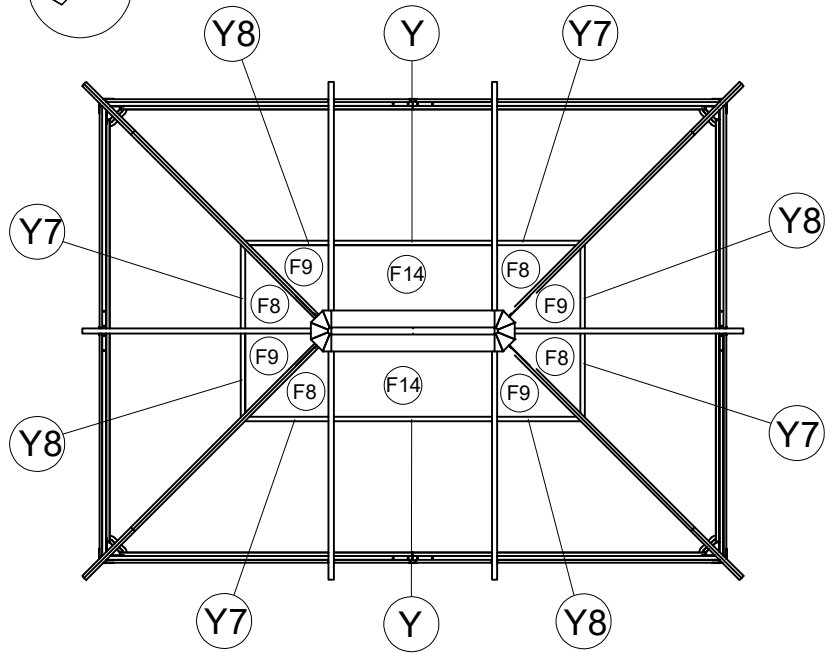
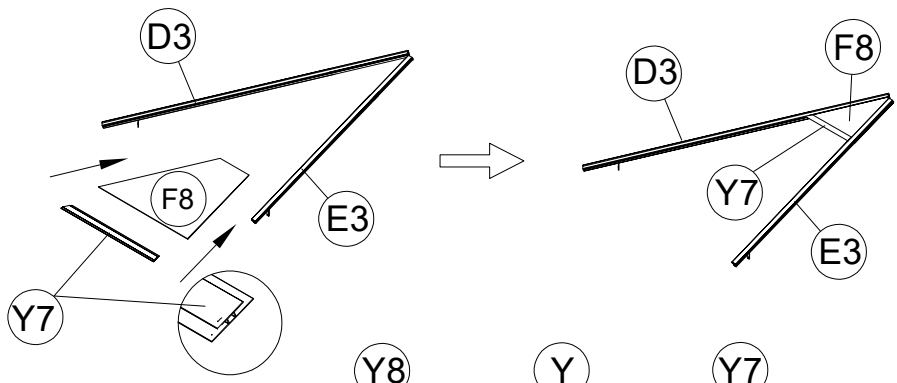
<10>

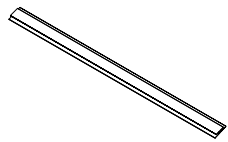


Note:

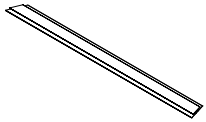
1. When Y or Y7 or Y8 slide into the E3, the wide side must be face down and narrow side face up, otherwise will cause water leaking

2. Y or Y7 or Y8 the water holes inside of the tube must be face up. otherwise will cause water leaking

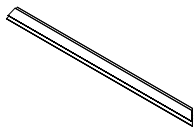




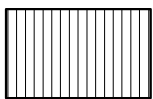
Y 2x



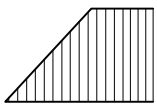
Y5 4x



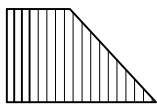
Y6 4x



F14 2x

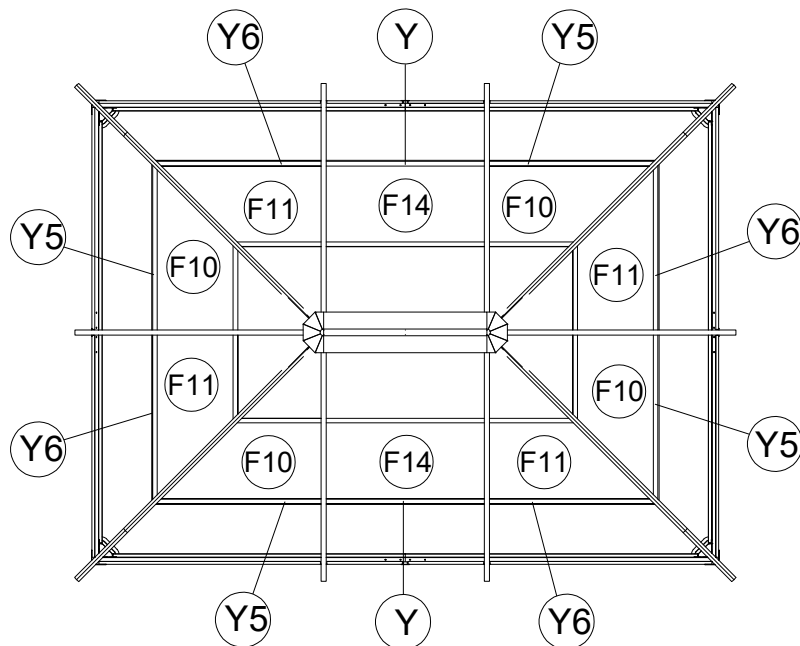
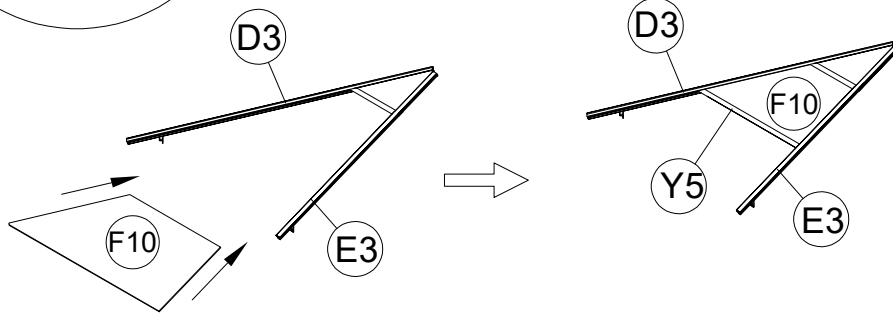
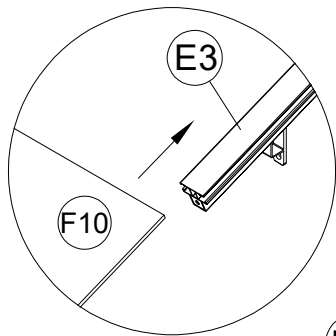
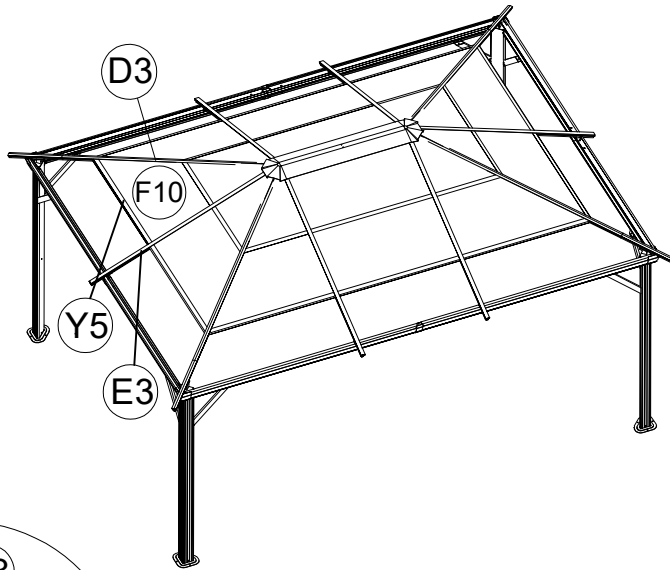


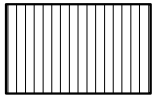
F10 4x



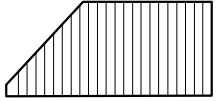
F11 4x

<11>

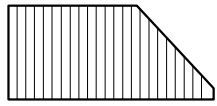




F14 2x

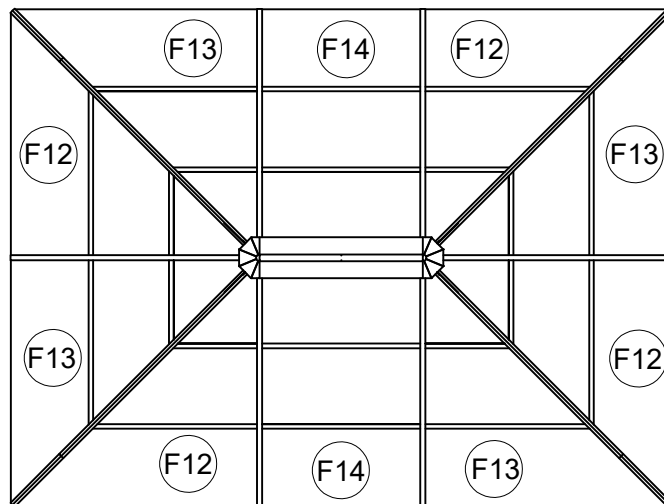
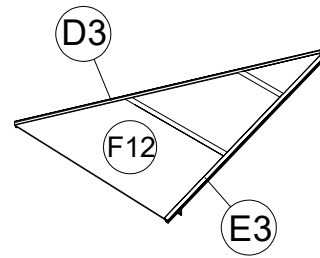
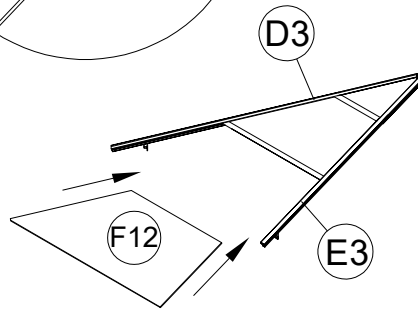
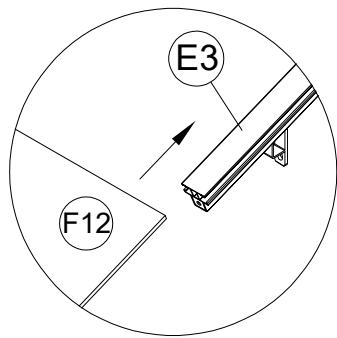
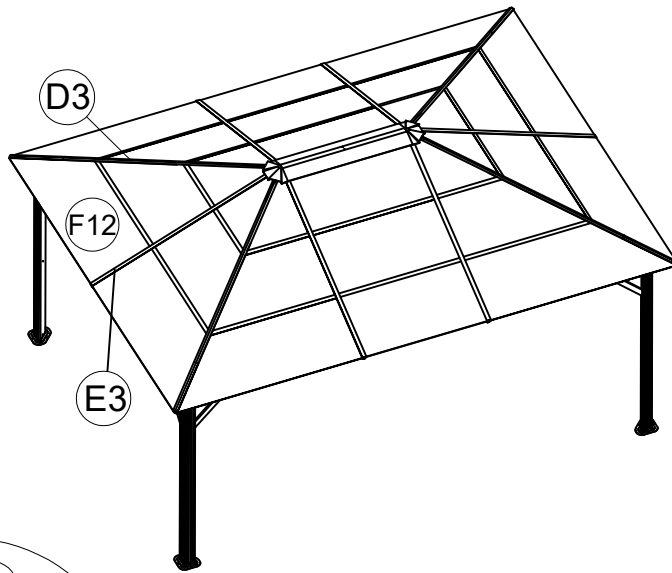


F12 4x



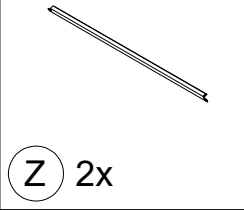
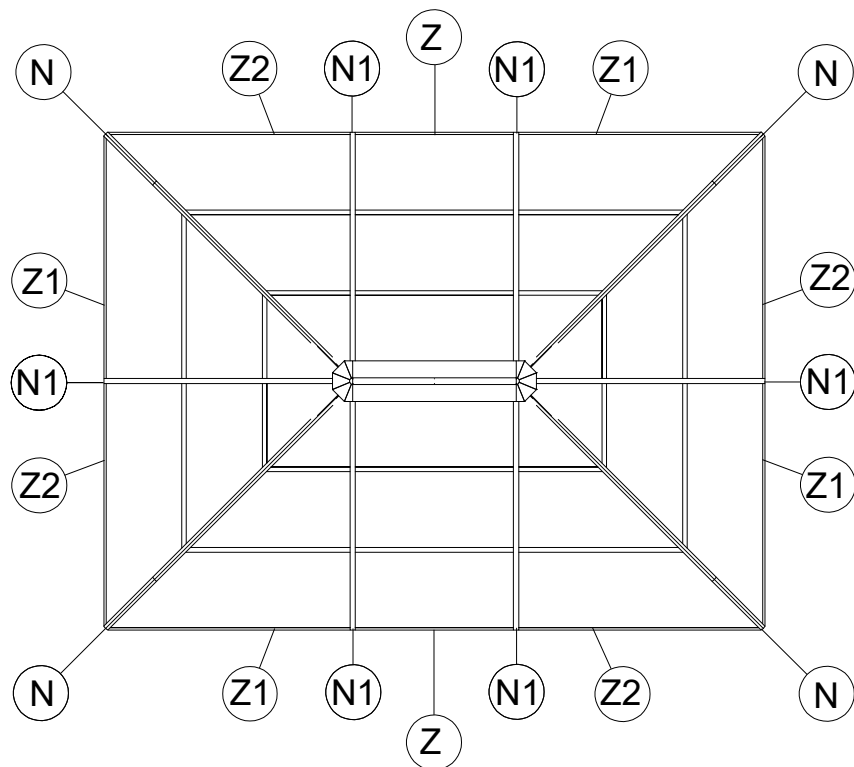
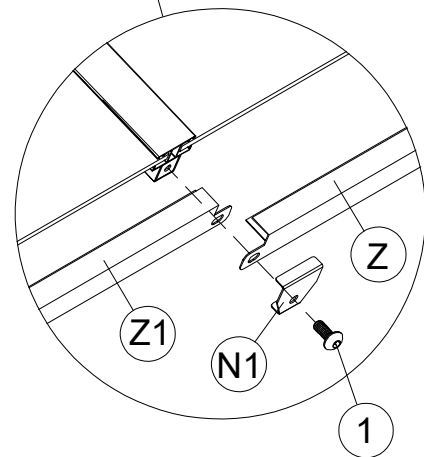
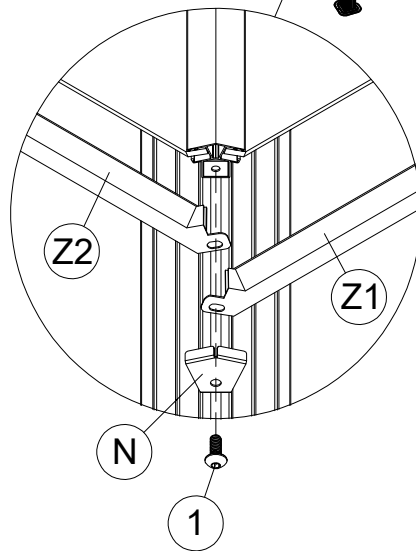
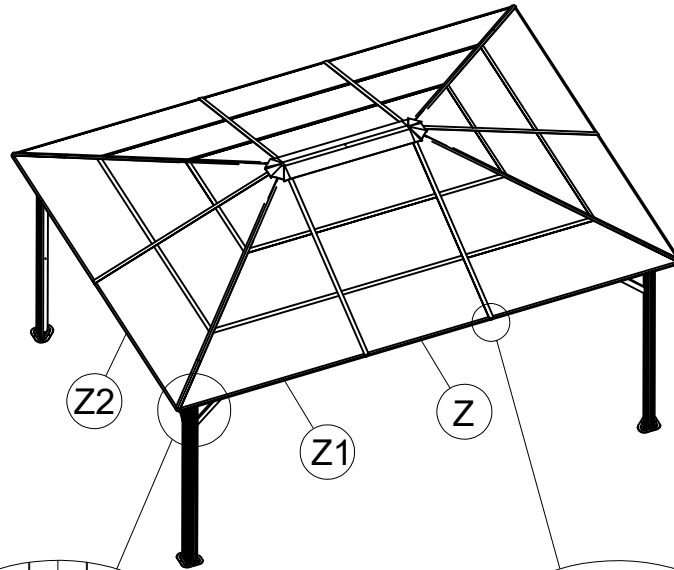
F13 4x

<12>

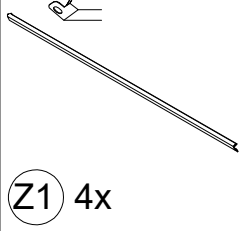




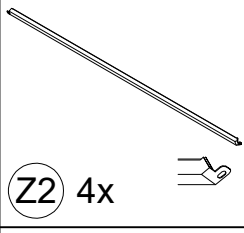
<13>



Z 2x



Z1 4x



Z2 4x



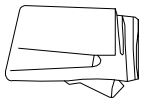
N 4x



N1 6x

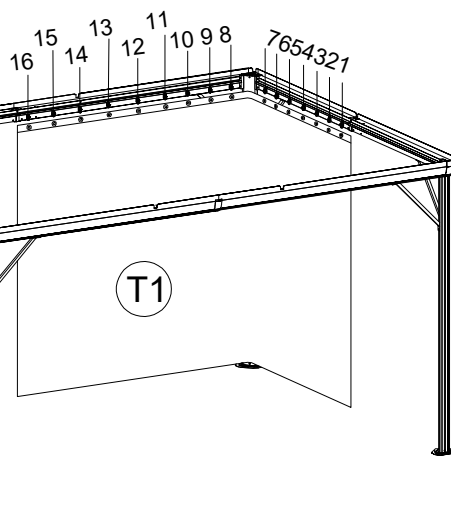
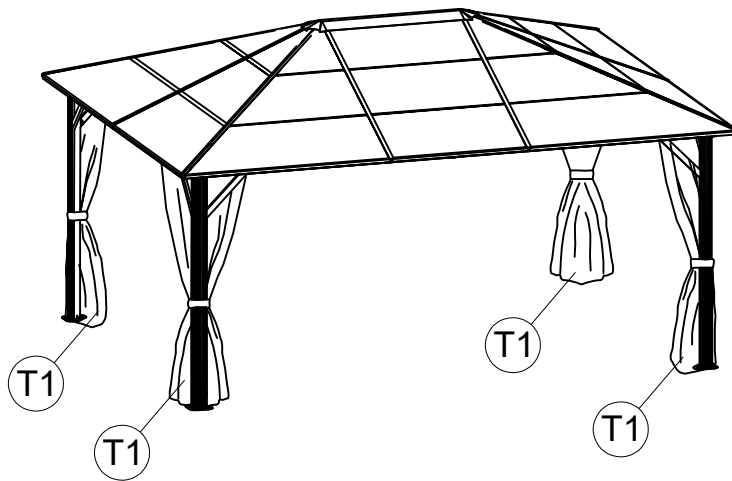
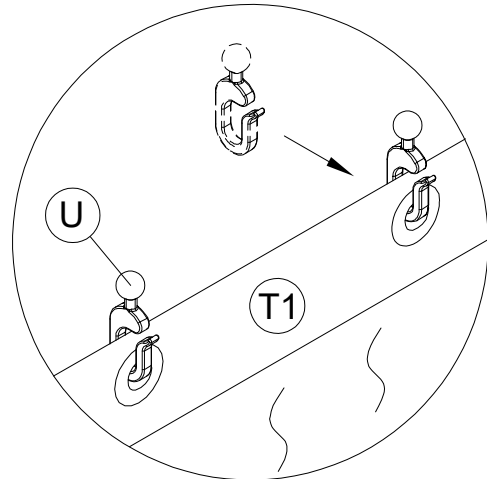
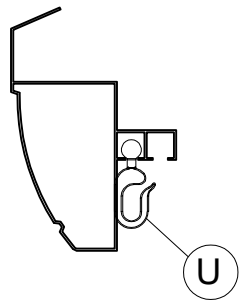


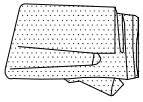
1 10x M6x15



<14>

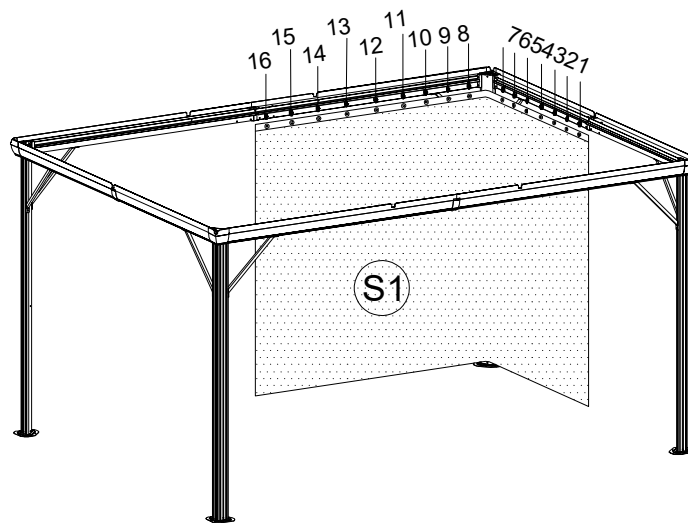
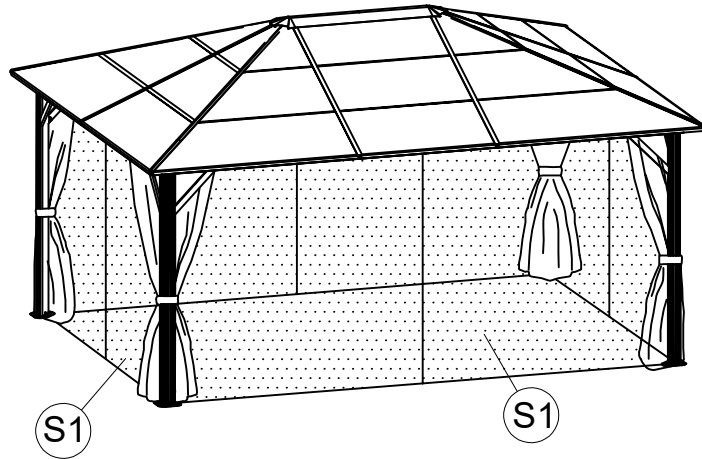
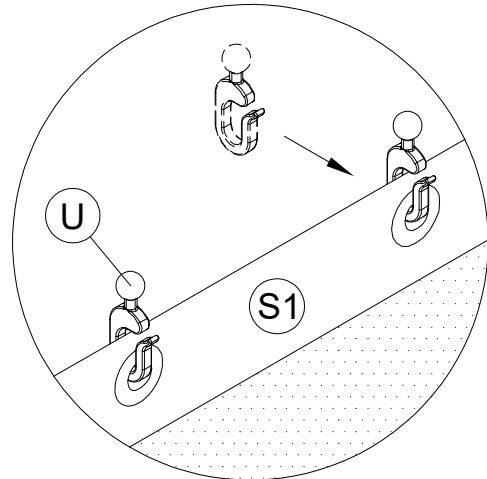
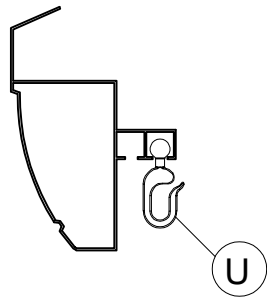
T1 4x





<15>

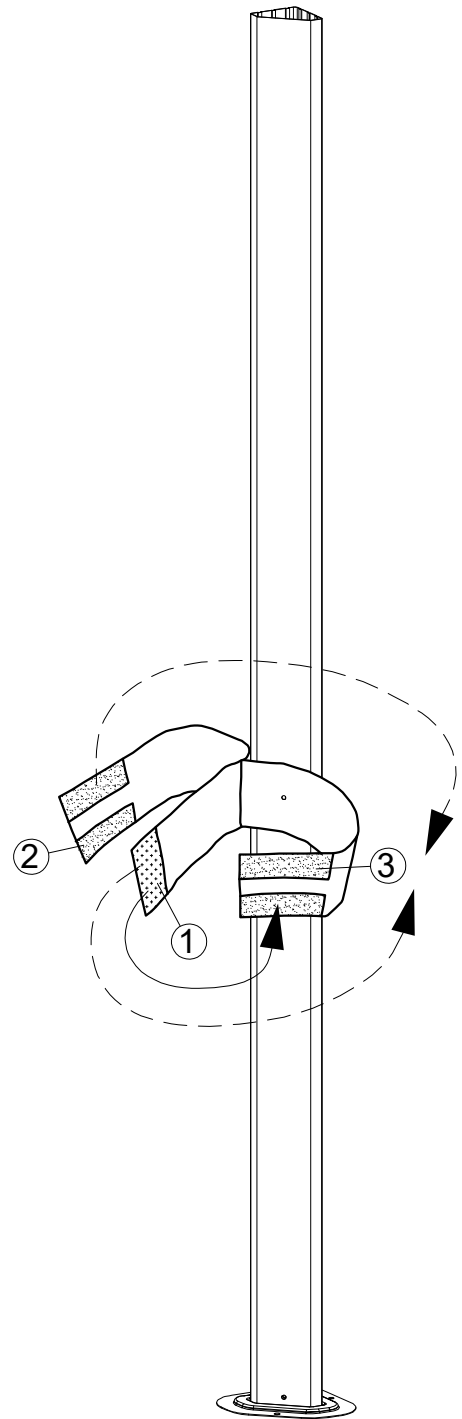
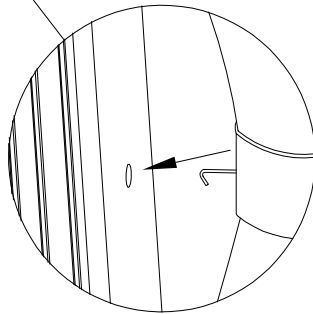
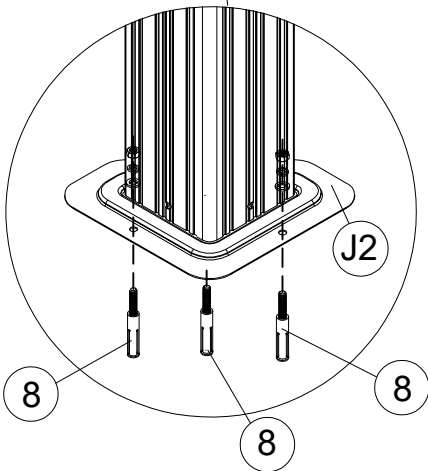
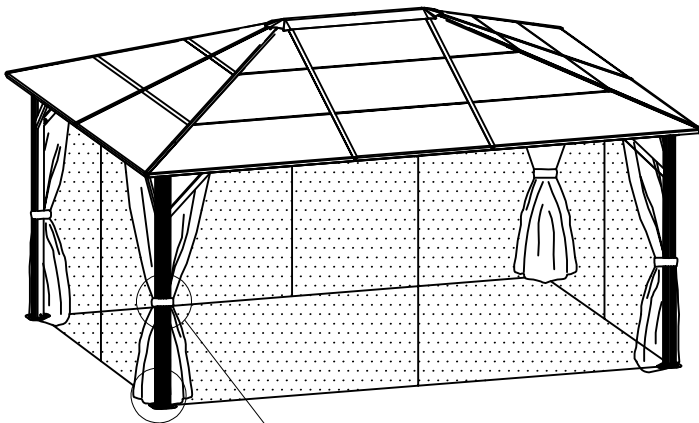
S1 4x





<16>

8 12x



Note:

1. 1 stick 2 tie S1 and T1 together
2. 1 stick 3 towards back tie T1
3. 1 stick 3 towards front tie S1

Box A		Box C		Box D	
Part #	Qty	Part #	Qty	Part #	Qty
A5	4	B2	2	F8	4
E3	6	B3	2	F9	4
Y5	4	D5	4	F10	4
Y6	4	Y	2	F11	4
Y7	4	H	4	F12	4
Y8	4	H1	4	F13	4
Z	2	L1	1	F14	6
Z1	4	M1	1		
Z2	4	K	4		
		K1	2		
		K2	2		
		X	6		
		P	4		
		U	128		
		J2	4		
		V	4		
		N	4		
		N1	6		
		S1	4		
		T1	4		
		1-9	1		

Box B

Part #	Qty
C2	2
C3	2
D3	4