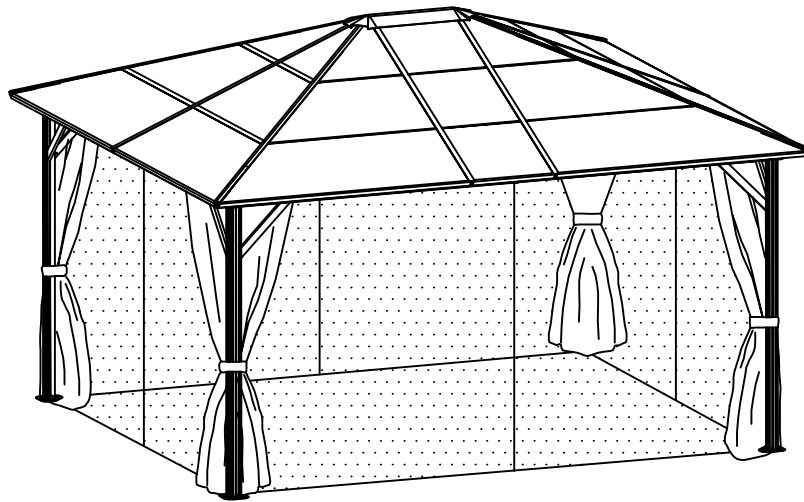


12 x 14 FT

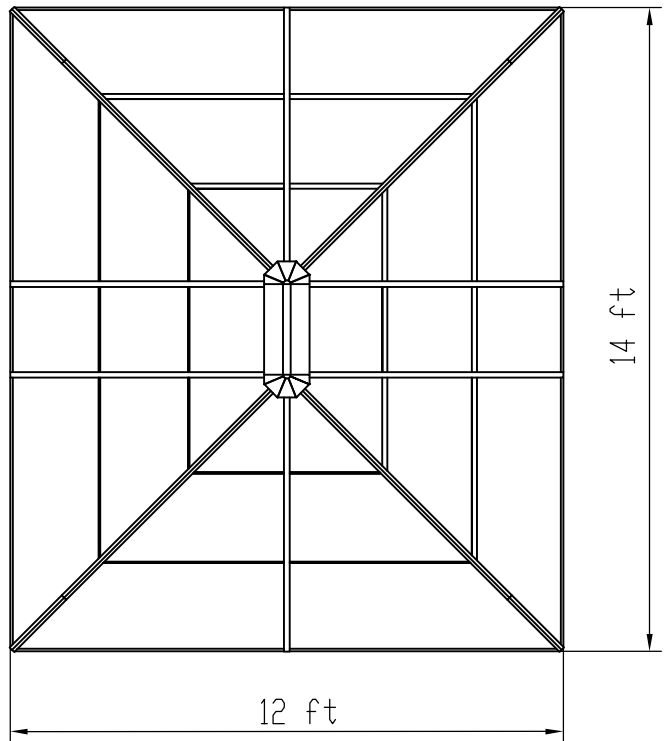
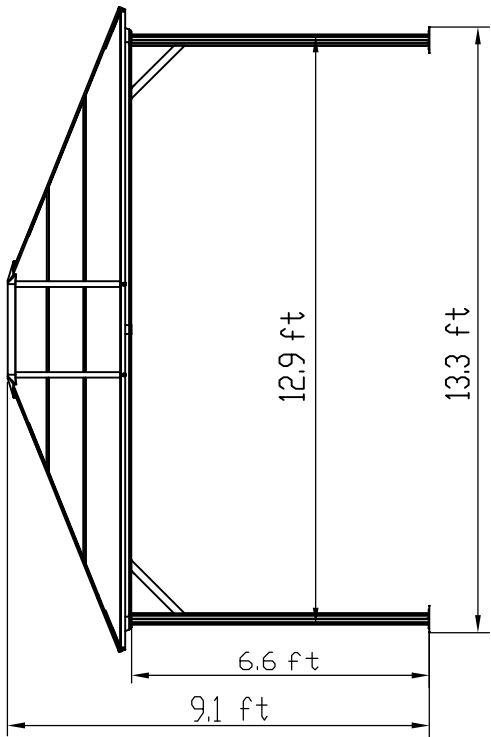
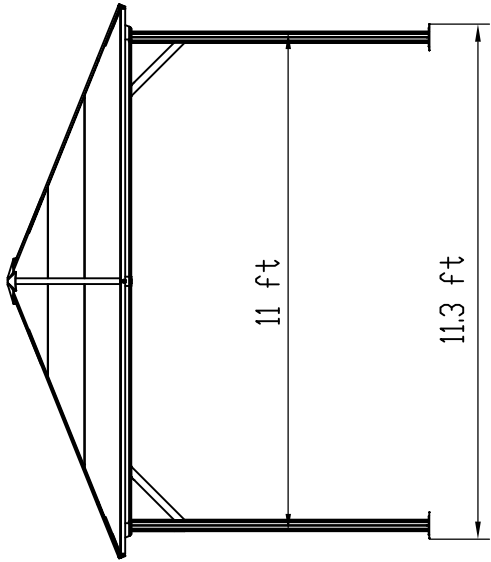
□ □ □ □ □ □ □ □ □ JFG-004 □ □ □ □ □ □ □ □ □



At least need 3 people work together

REQUIRED TOOLS







(A4) 4x



(B4) 2x



(B5) 2x



(C7) 2x



(C8) 2x



(D3) 4x



(D4) 4x



(E3) 6x



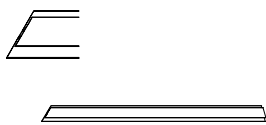
(Y4) 4x



(Y5) 4x



(Y6) 4x



(Y7) 4x



(Y8) 4x



(Z14) 2x



(Z1) 4x



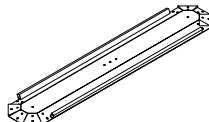
(Z2) 4x



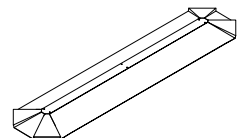
(H) 4x



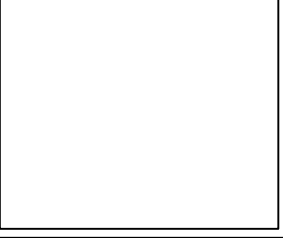
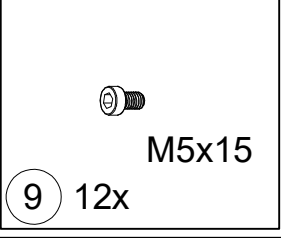
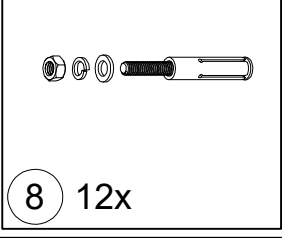
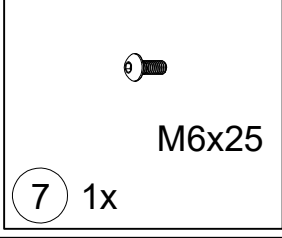
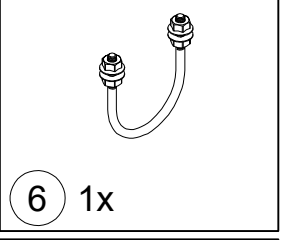
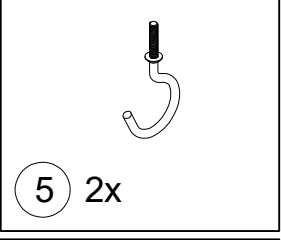
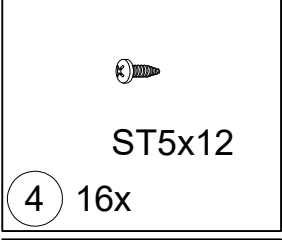
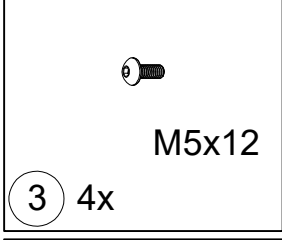
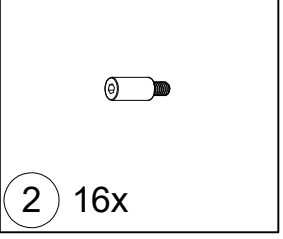
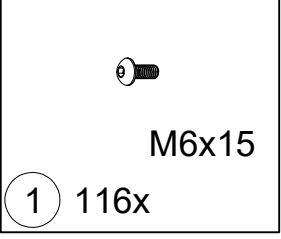
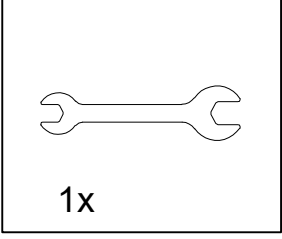
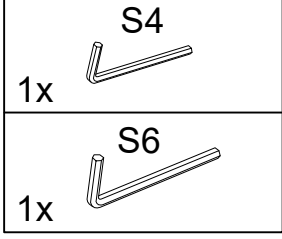
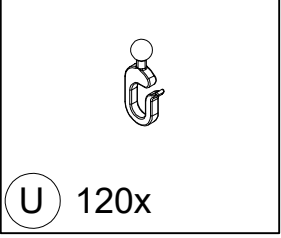
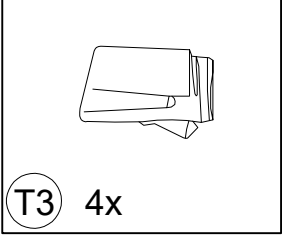
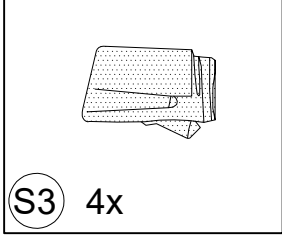
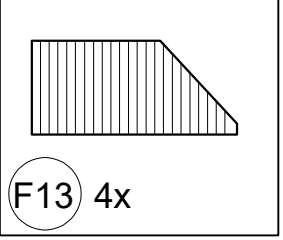
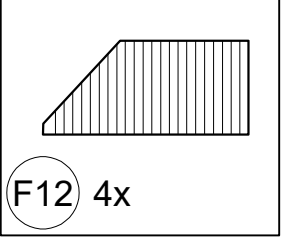
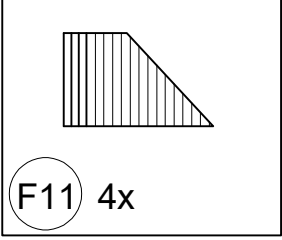
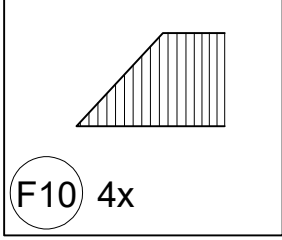
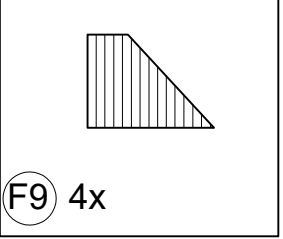
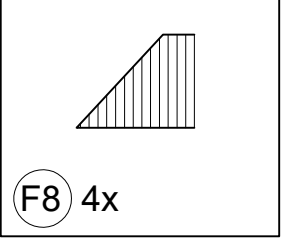
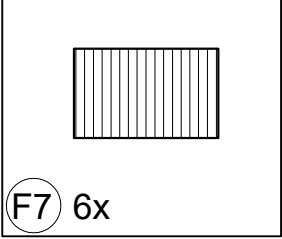
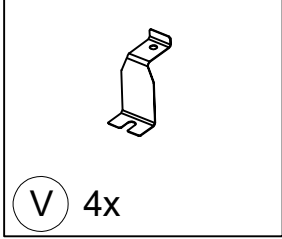
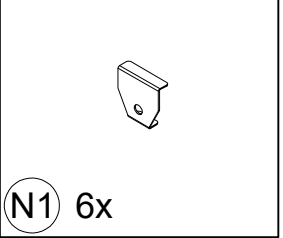
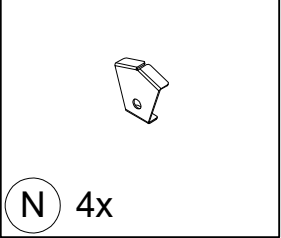
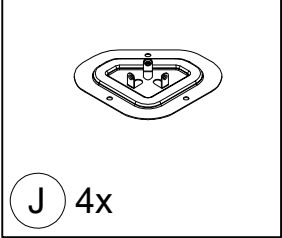
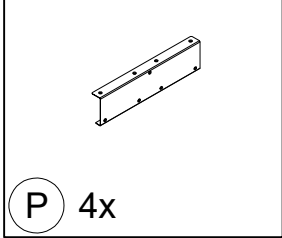
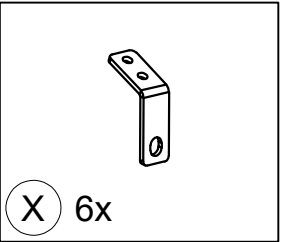
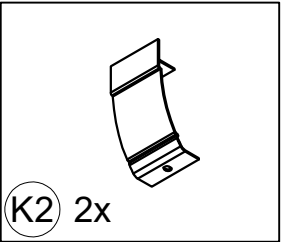
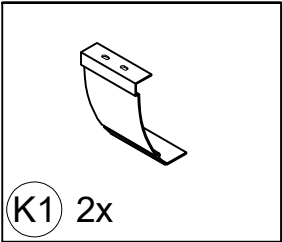
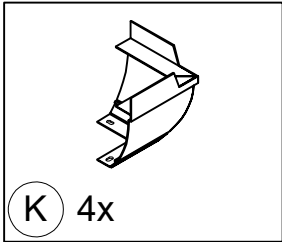
(H1) 4x



(L3) 1x



(M3) 1x



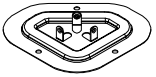


<1>

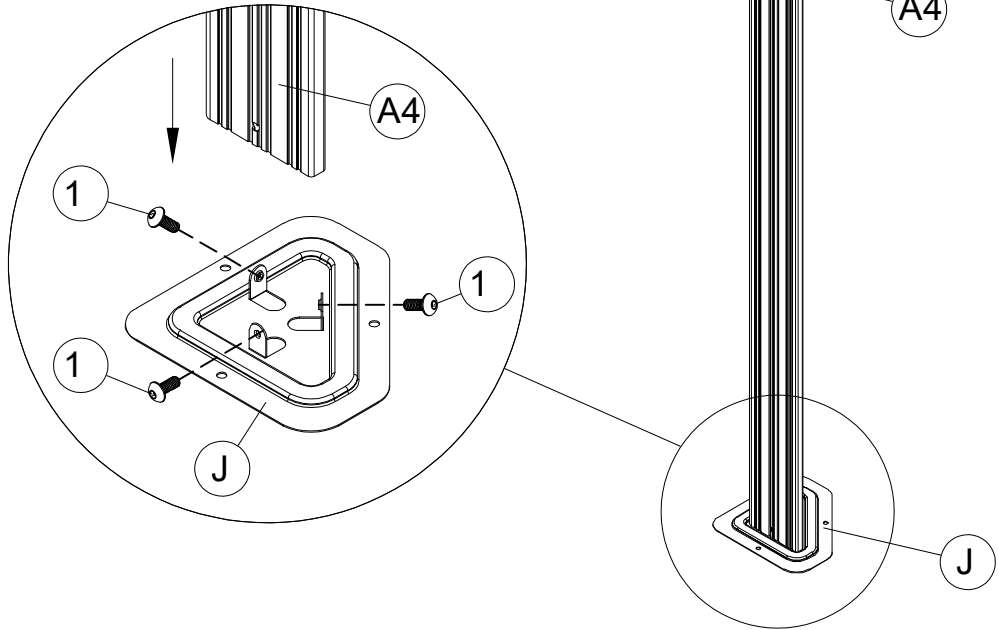
A4 4x



1 M6x15
12x

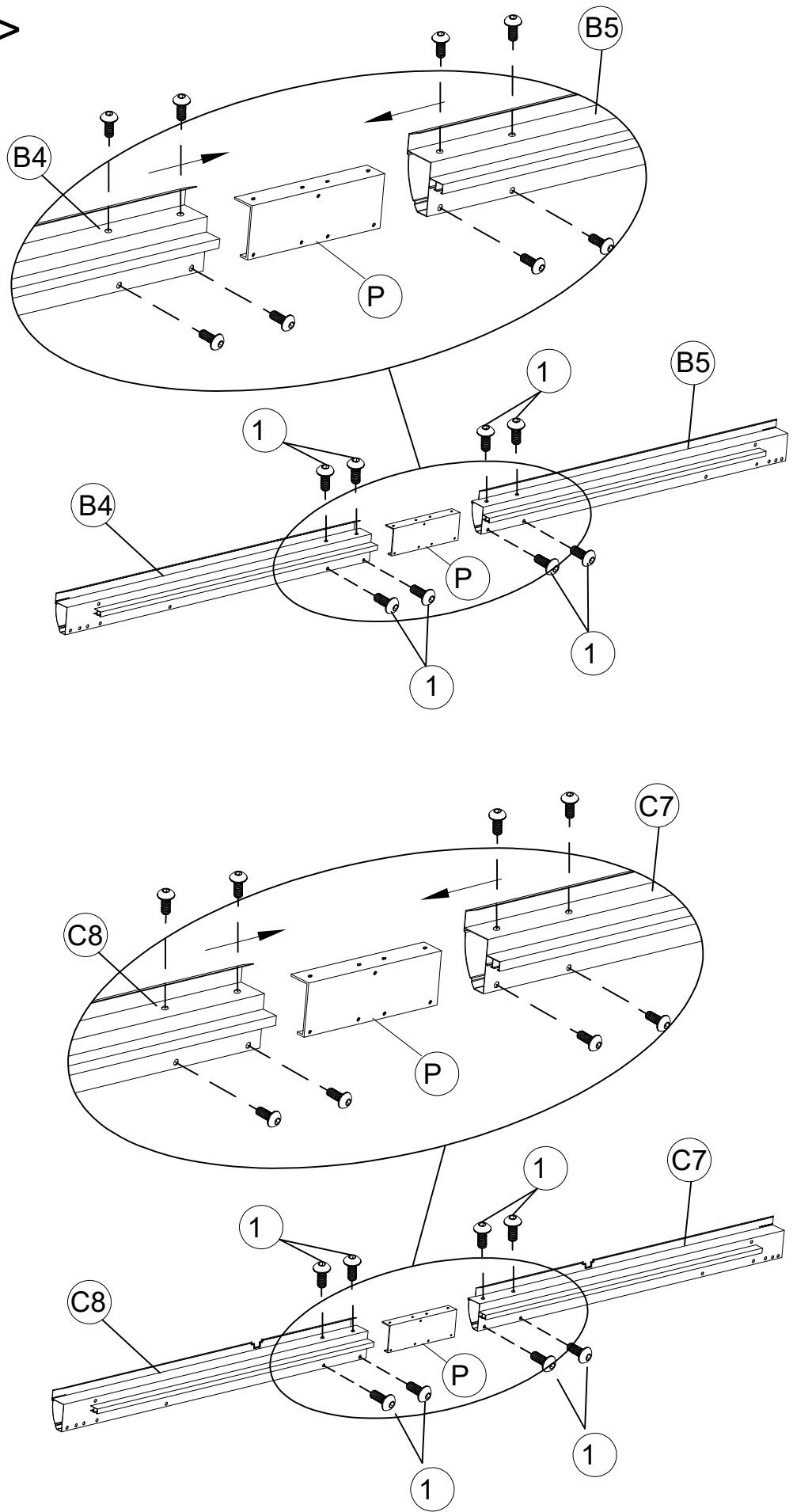
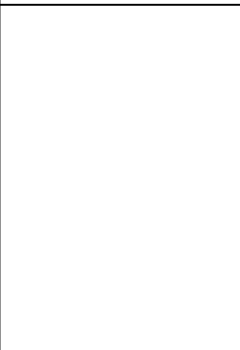
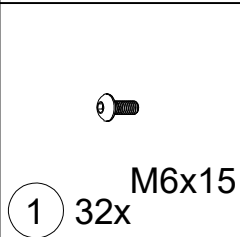
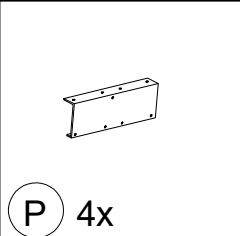
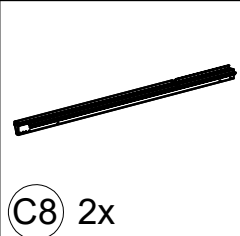
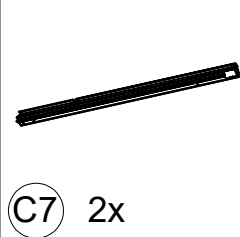
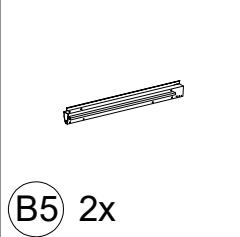
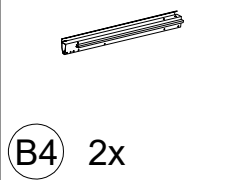


J 4x



5

<2>



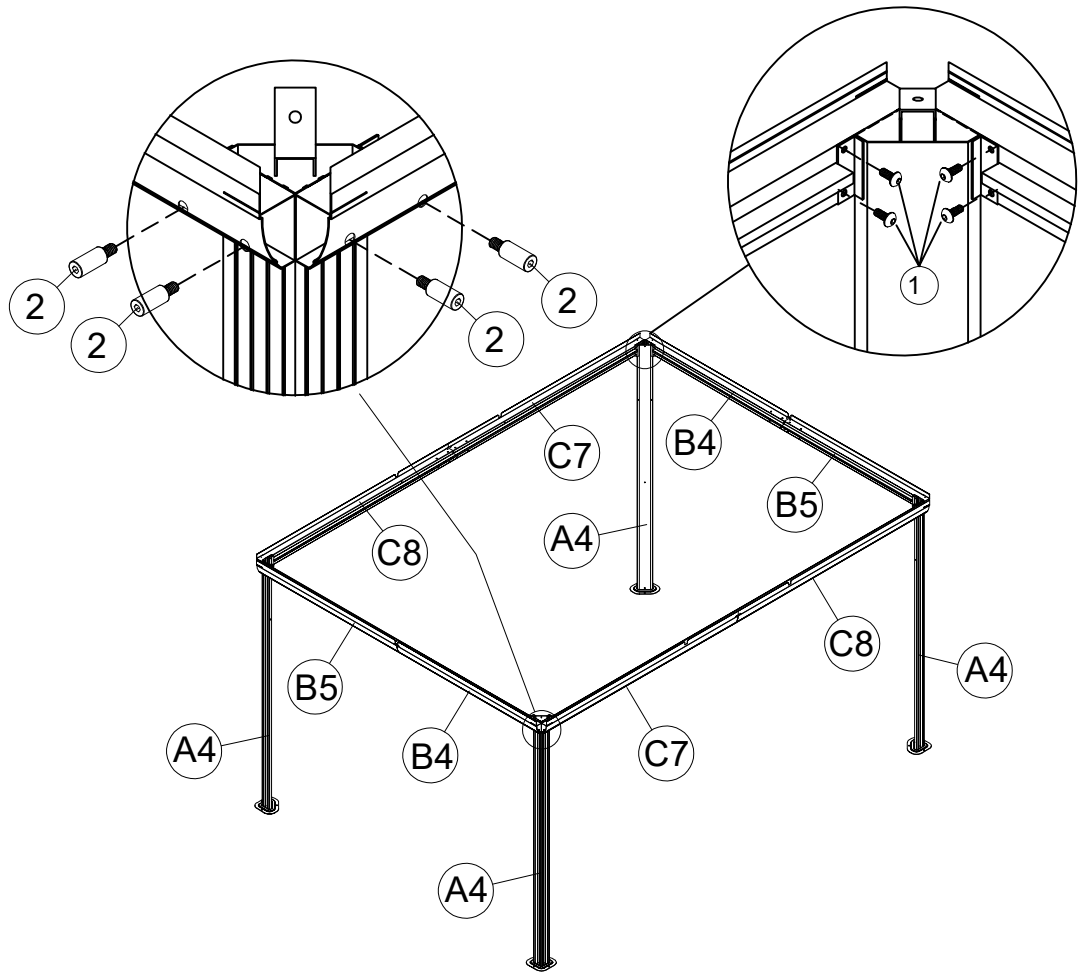


<3>

1 M6x15
16x



2 16x





H 4x

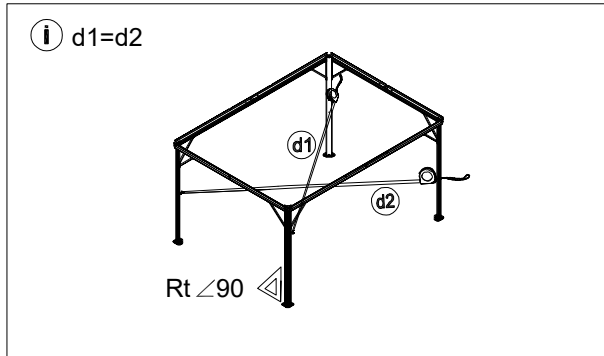


H1 4x

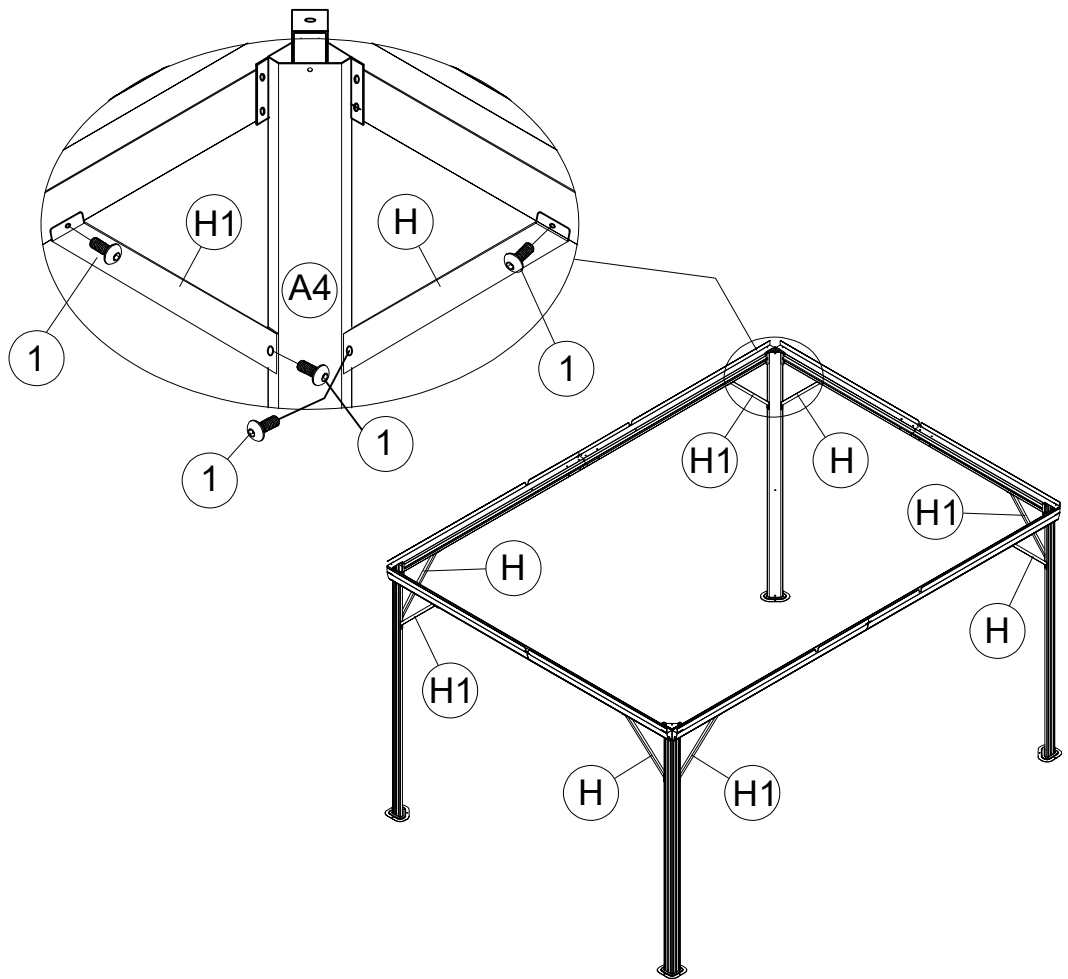


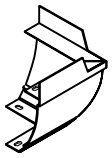
1 M6x15
16x

<4>

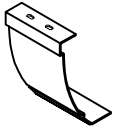


Tips: Please measure to make sure the length of d1 is equal to d2 before moving to next step to ensure a square frame and best results. Keep the beam at right angles to the post, the post at right angles to the ground, and keep the beam horizontal.





(K) 4x



(K1) 2x



(K2) 2x



(V) 4x



(U) 120x



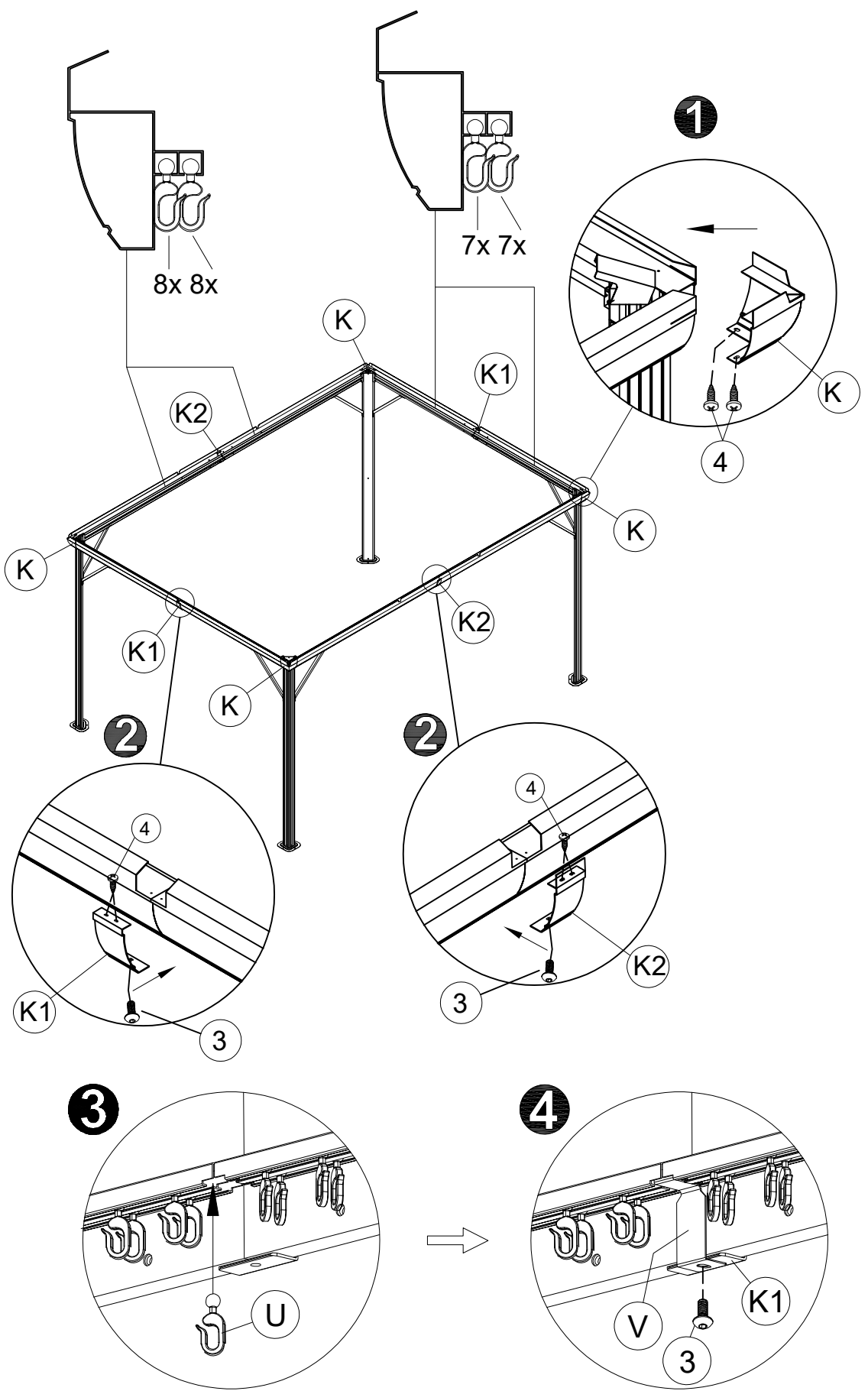
(3) 4x M5x12

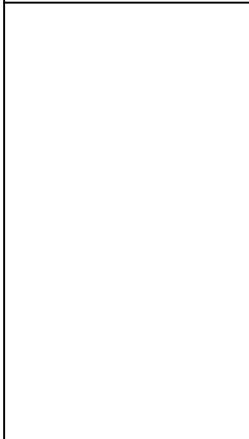
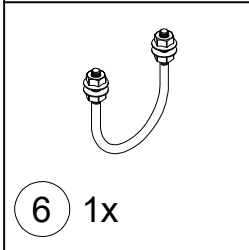
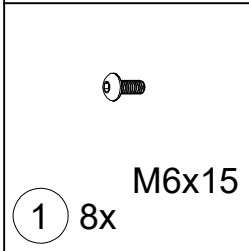
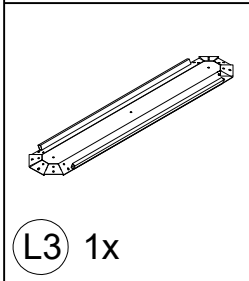
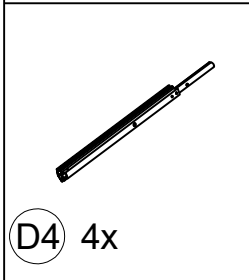
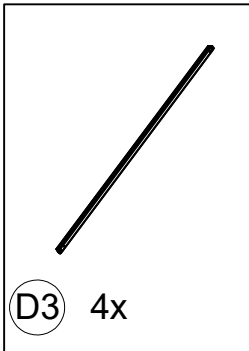


(4) 16x ST5 x12

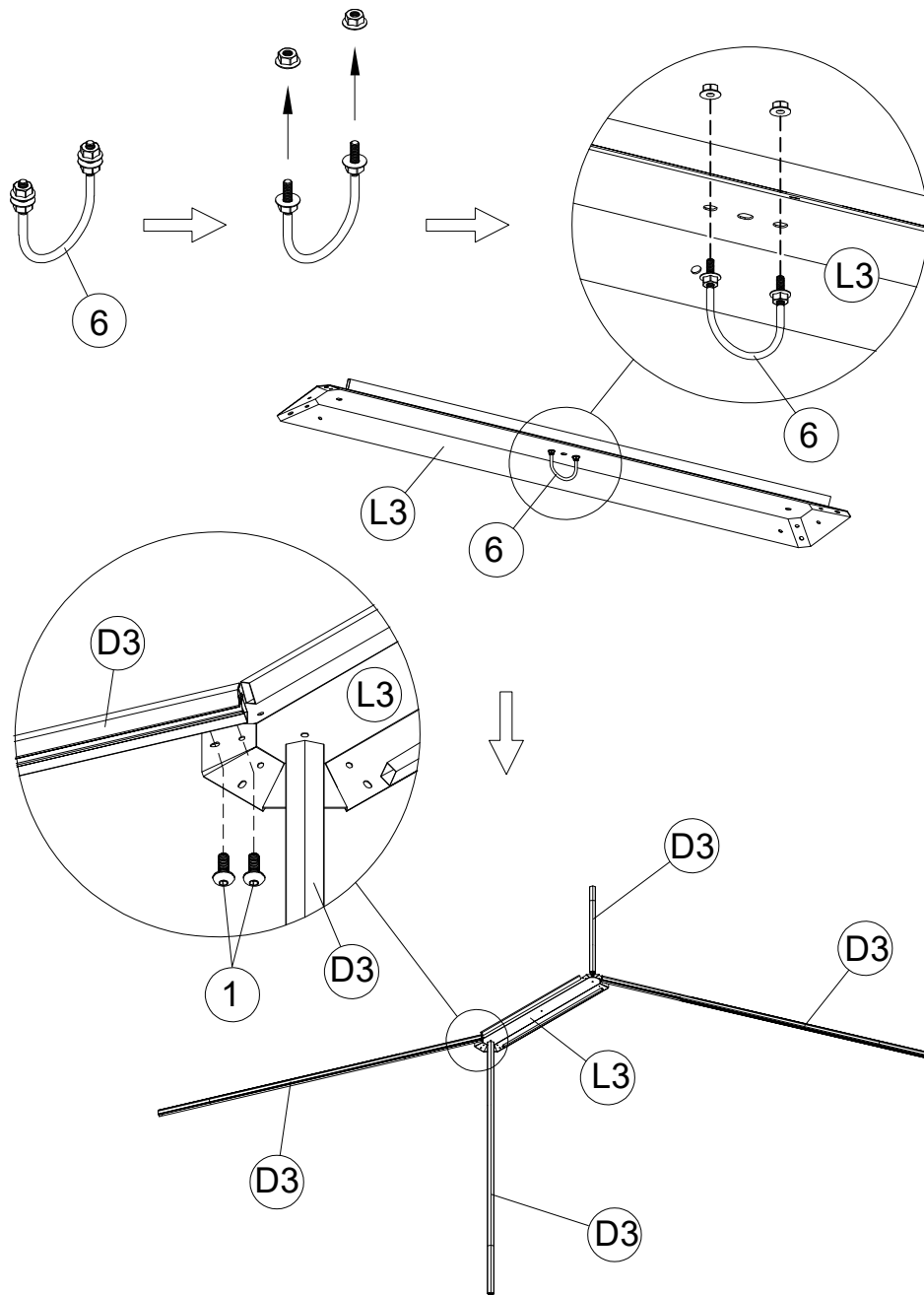
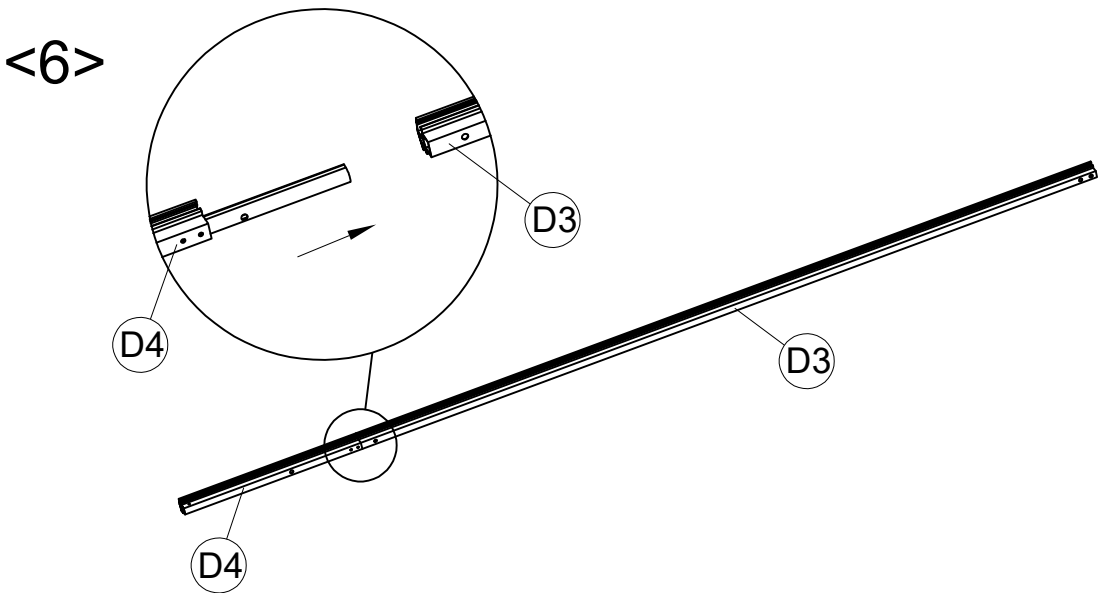
9

<5>





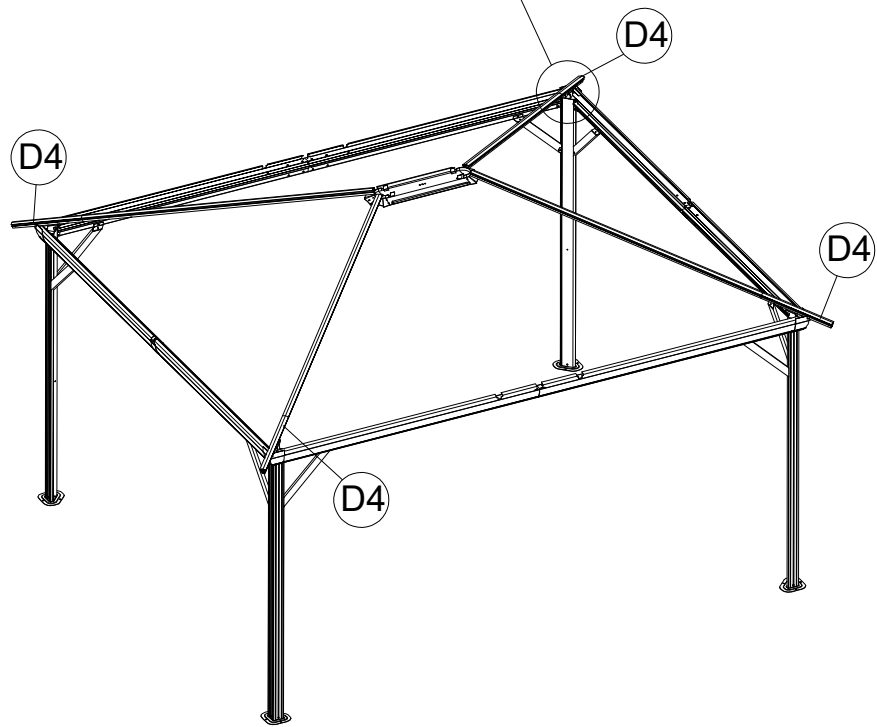
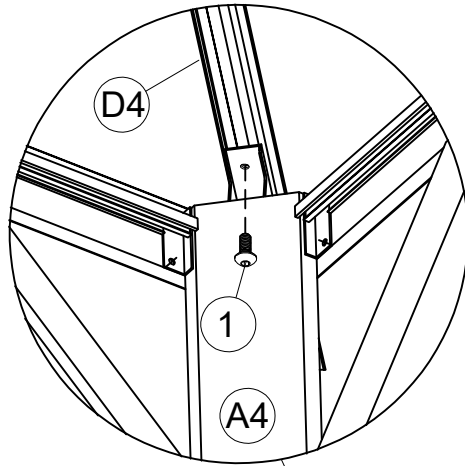
10

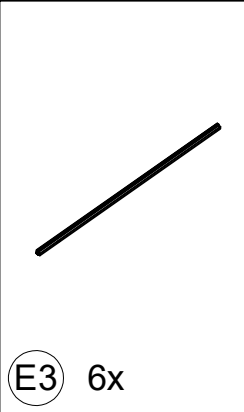




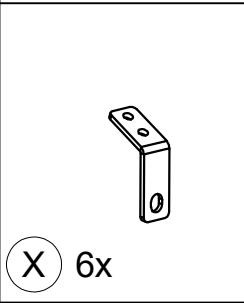
<7>

1 4x M6x15

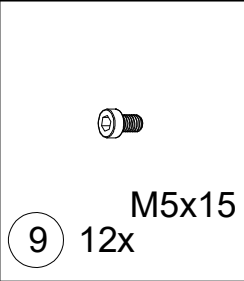




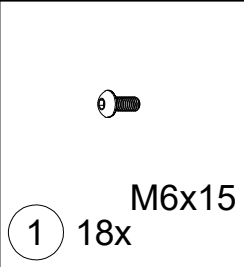
E3 6x



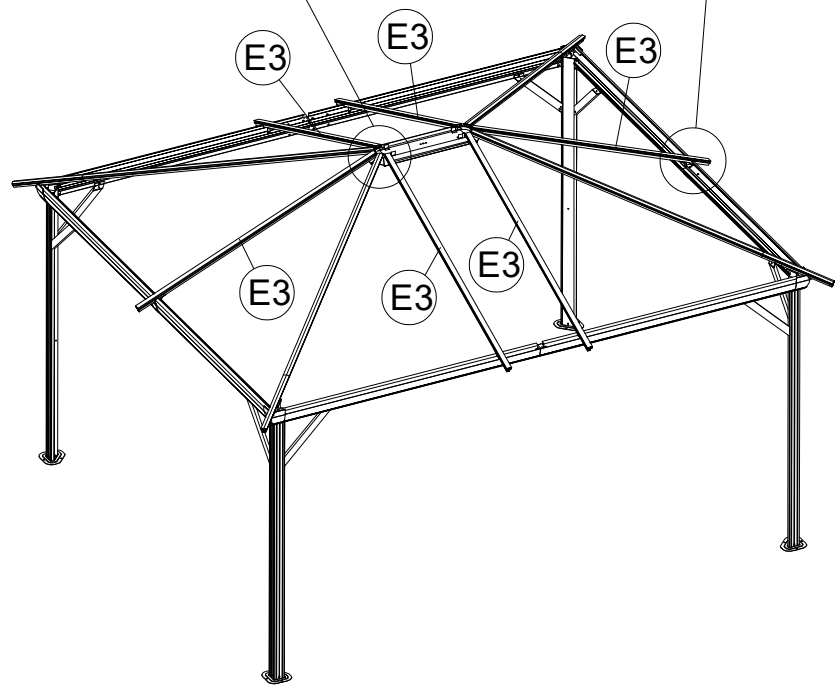
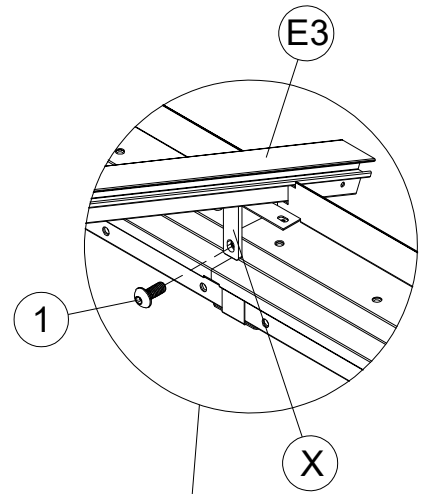
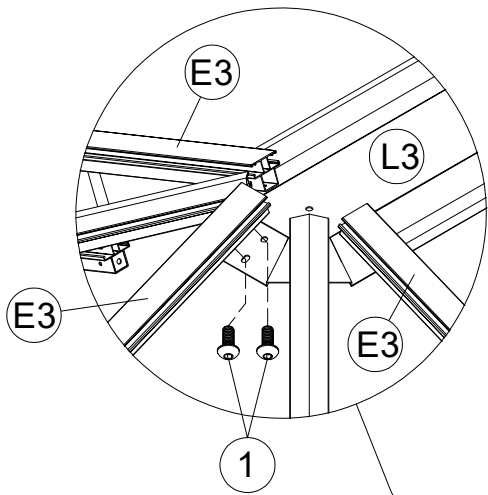
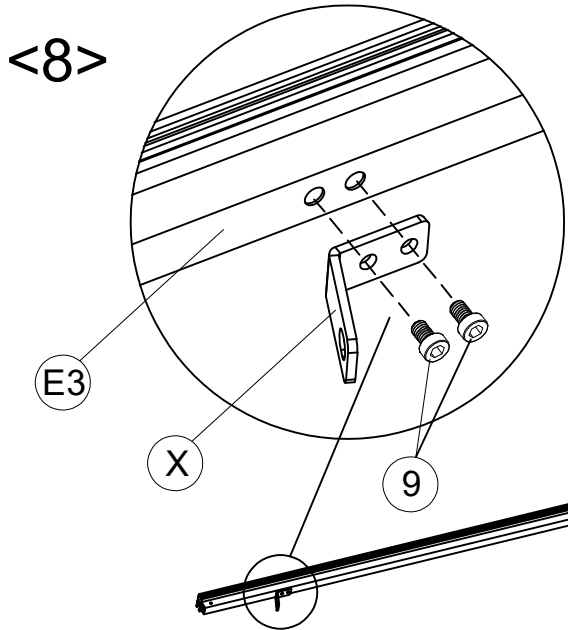
X 6x

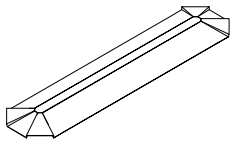


9 12x M5x15



1 18x M6x15

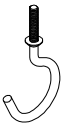




M3 1x

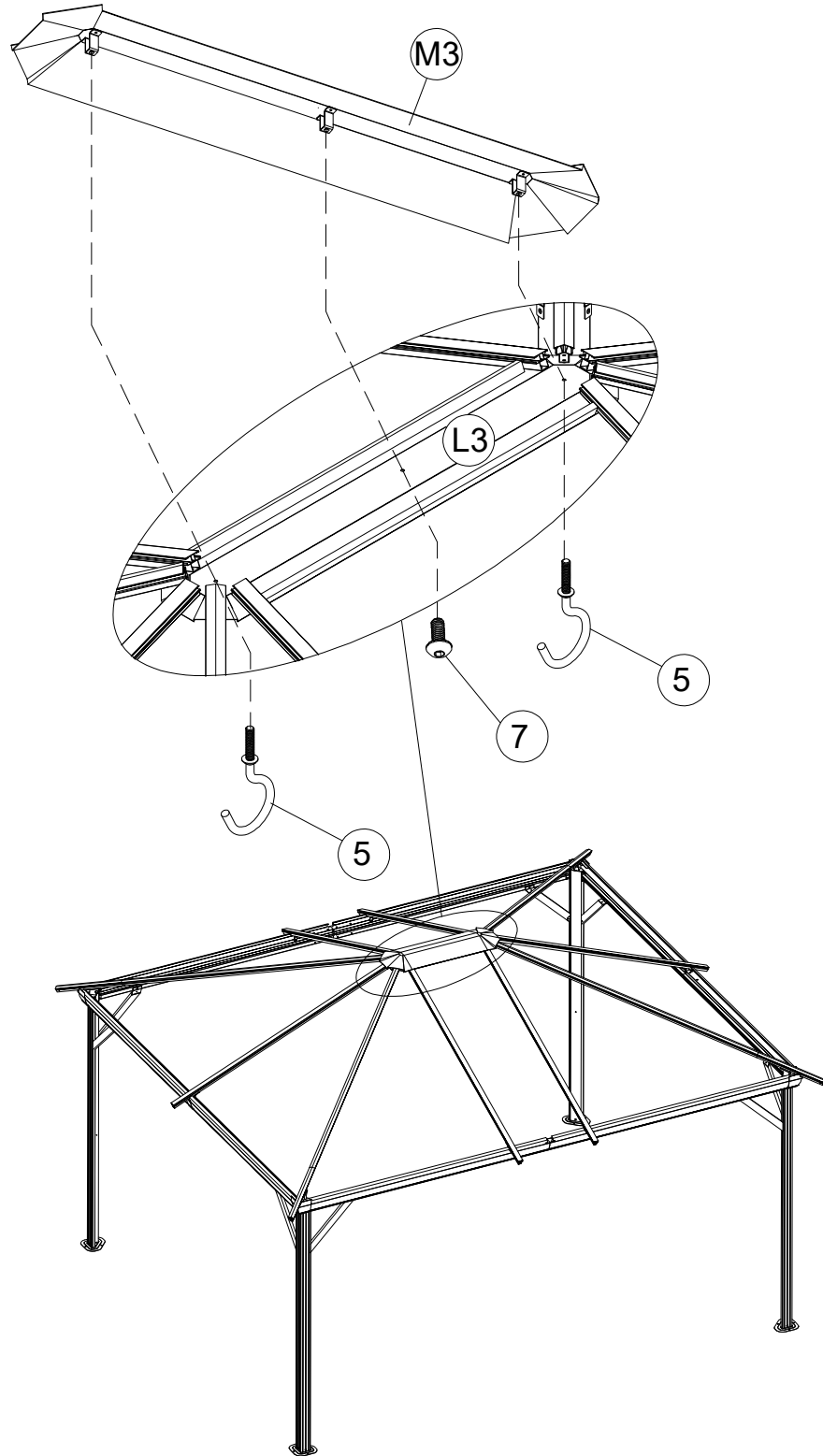


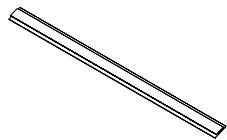
7 1x M6x25



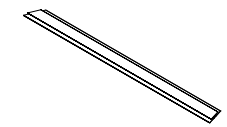
5 2x

<9>

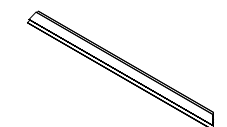




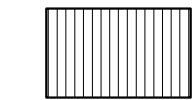
Y4 2x



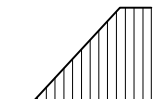
Y7 4x



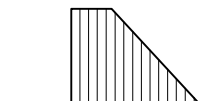
Y8 4x



F7 2x

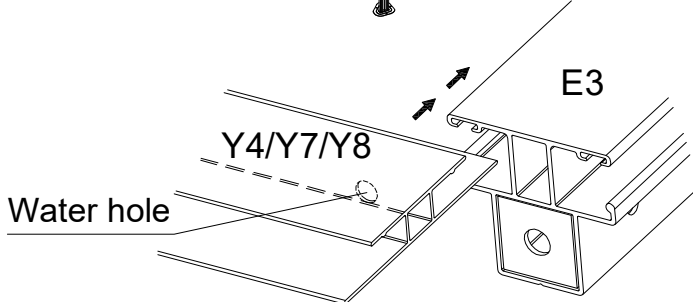
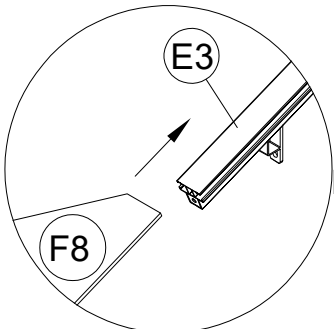
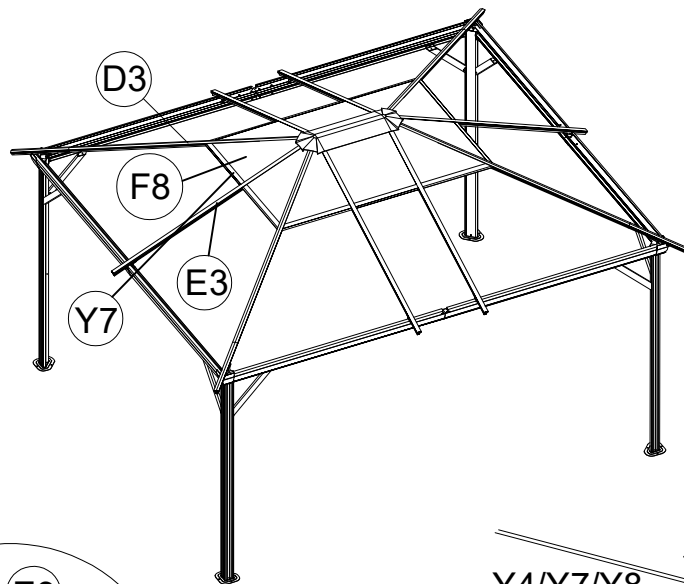


F8 4x



F9 4x

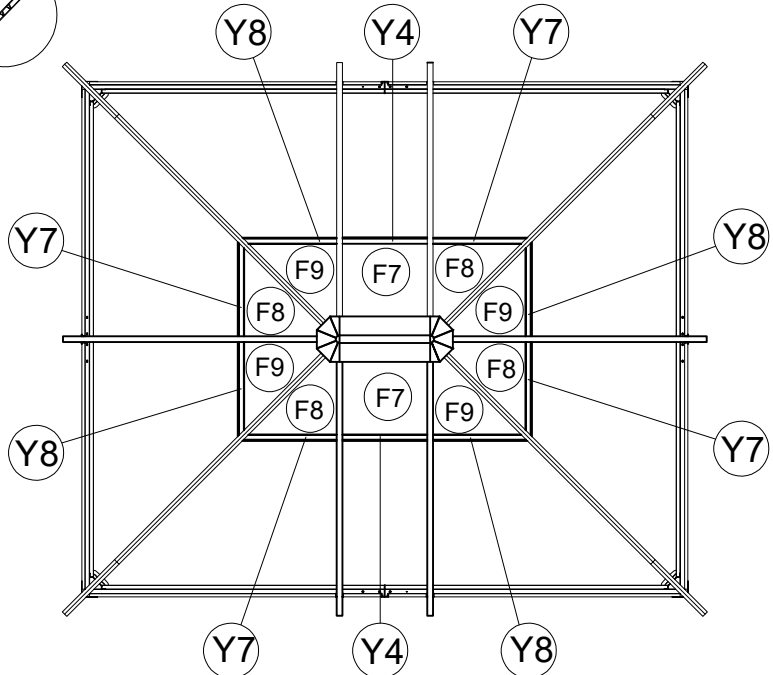
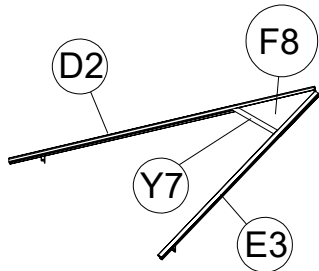
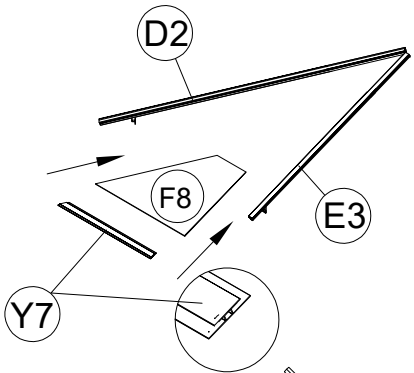
<10>



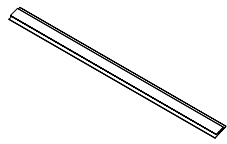
Note:

1. When Y4 or Y7 or Y8 slide into the E3, the wide side must be face down and narrow side face up, otherwise will cause water leaking

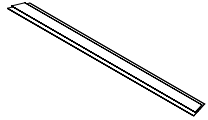
2. Y4 or Y7 or Y8 the water holes inside of the tube must be face up. otherwise will cause water leaking



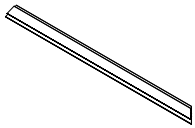
<11>



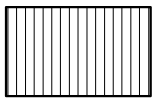
Y4 2x



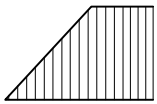
Y5 4x



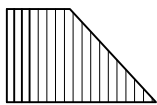
Y6 4x



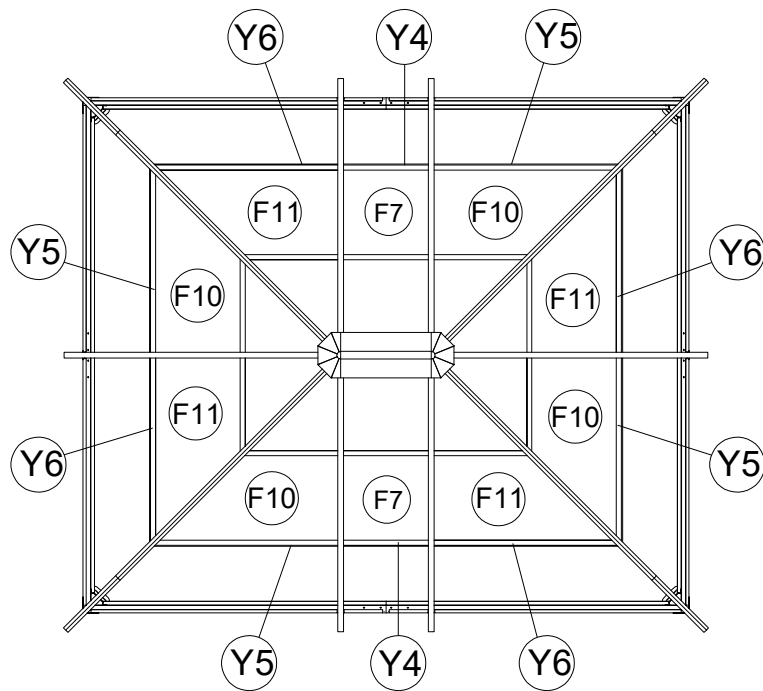
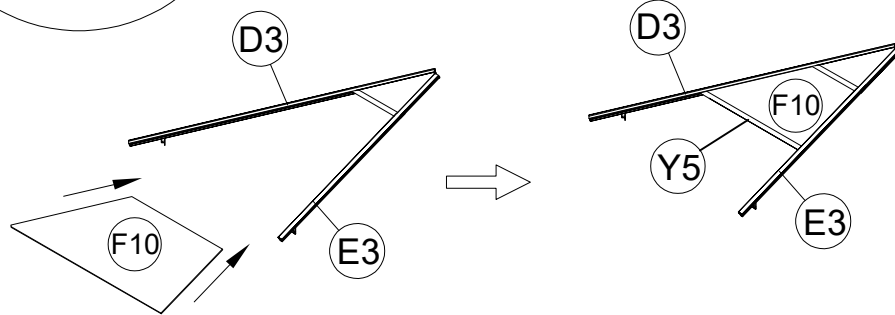
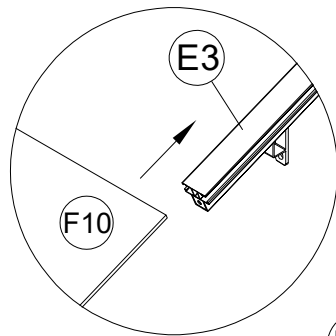
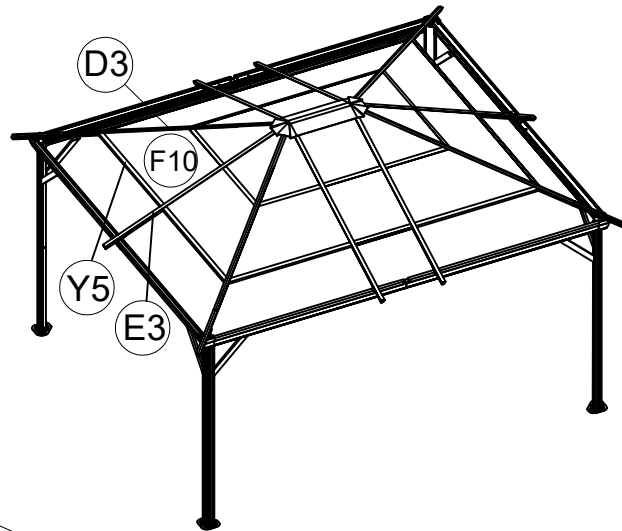
F7 2x



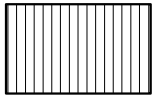
F10 4x



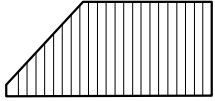
F11 4x



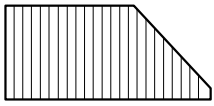
15



F7 2x

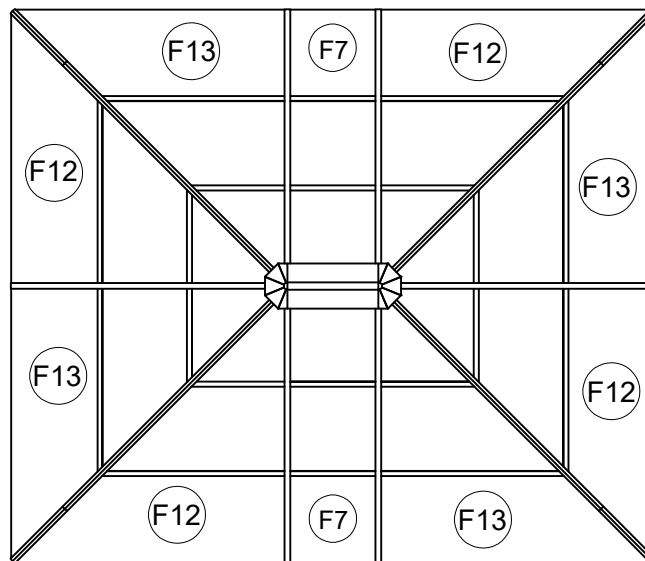
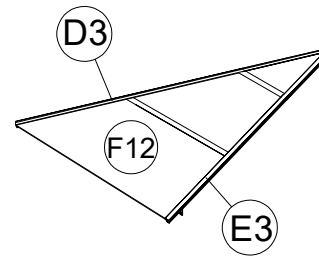
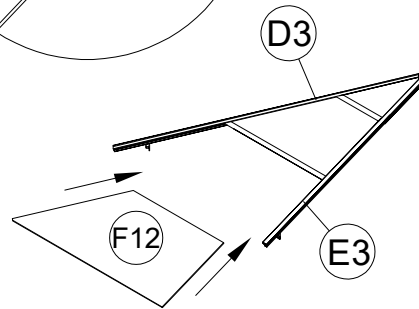
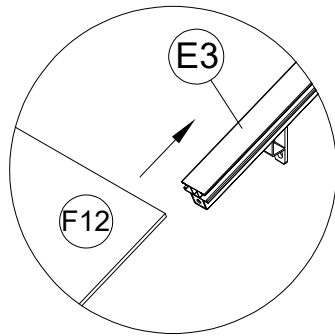
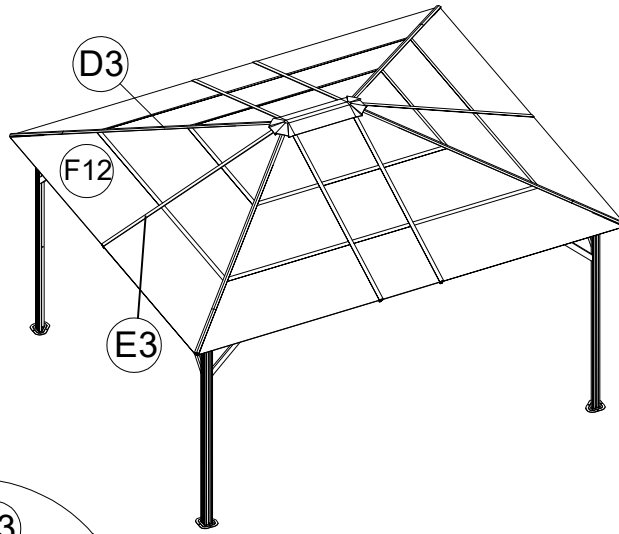


F12 4x

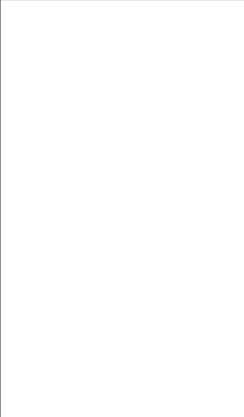
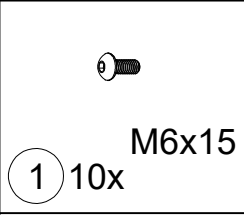
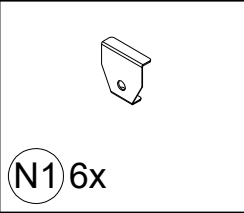
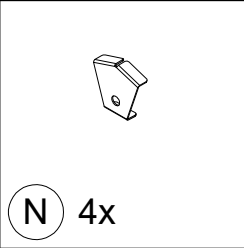
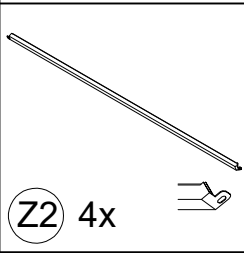
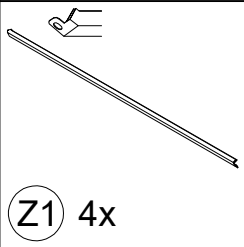
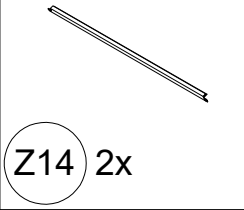


F13 4x

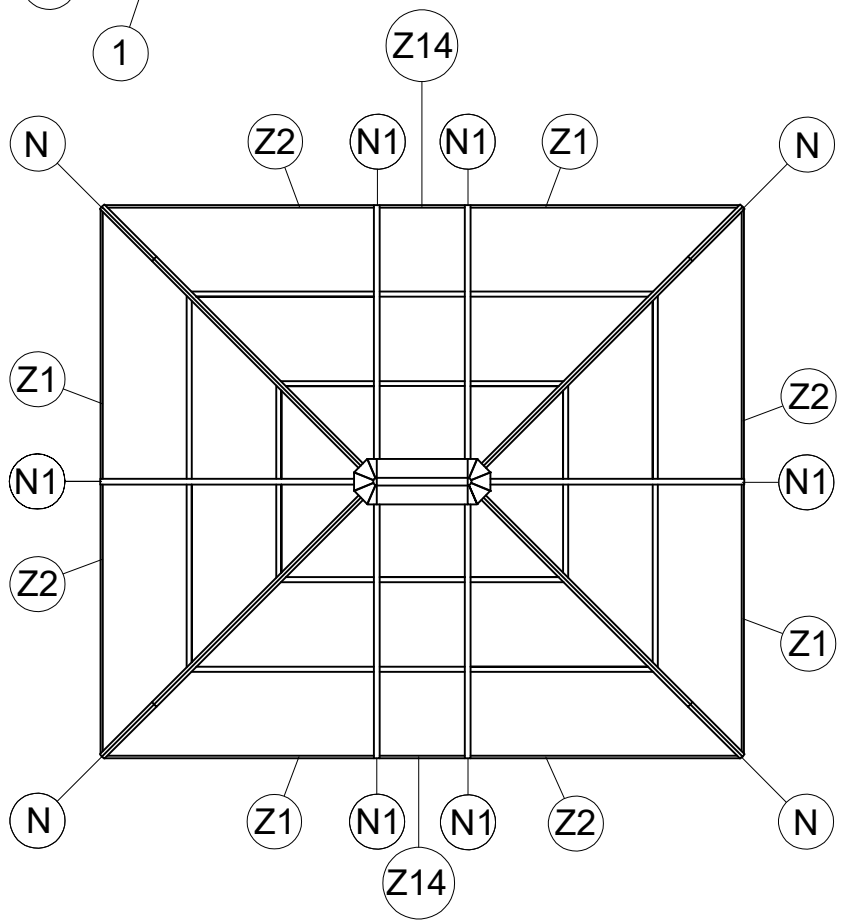
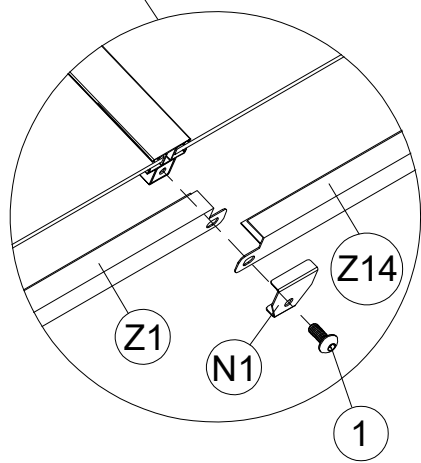
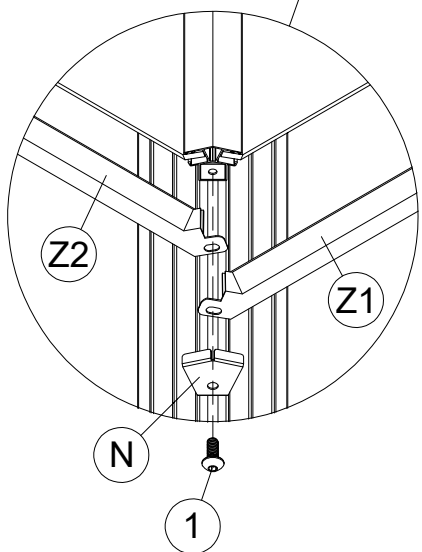
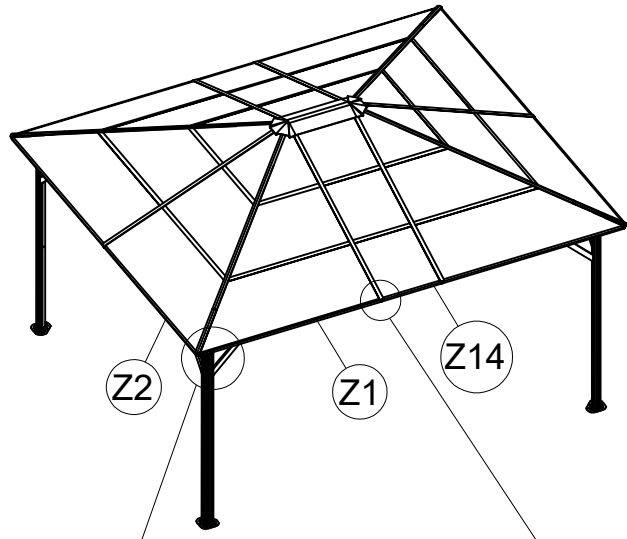
<12>

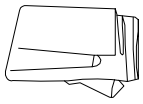


<13>



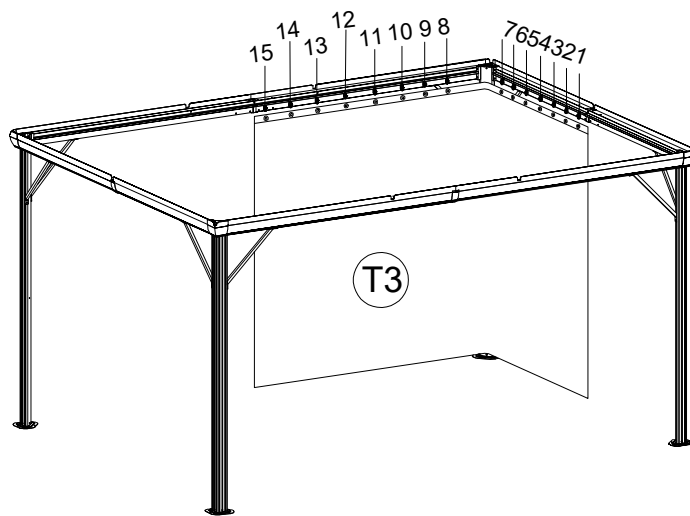
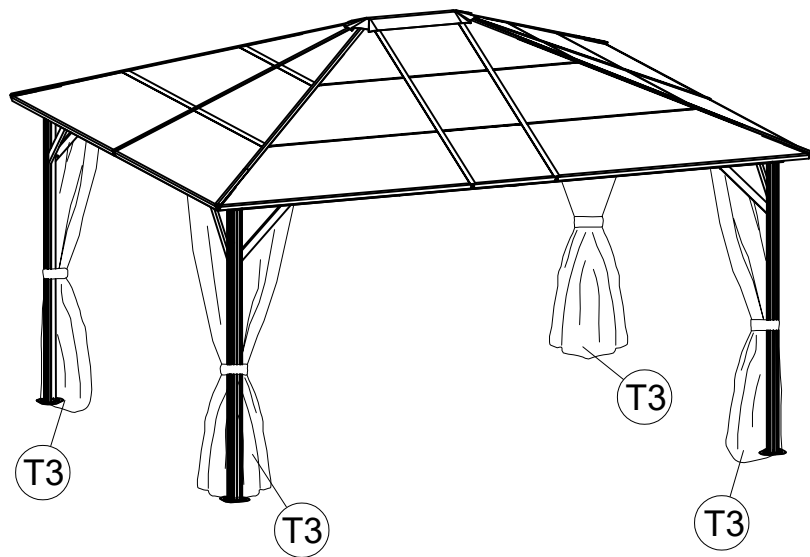
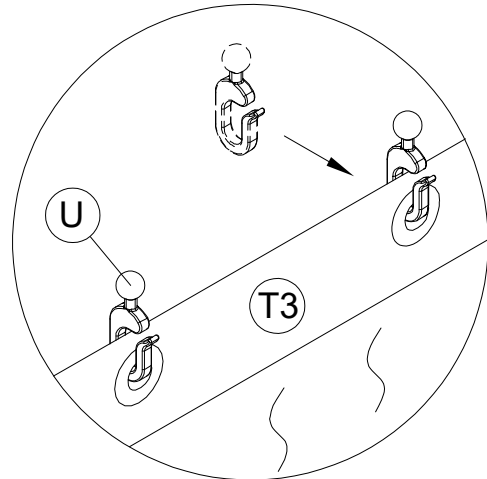
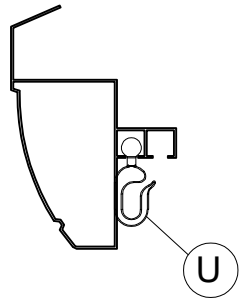
17

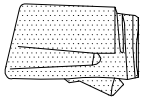




<14>

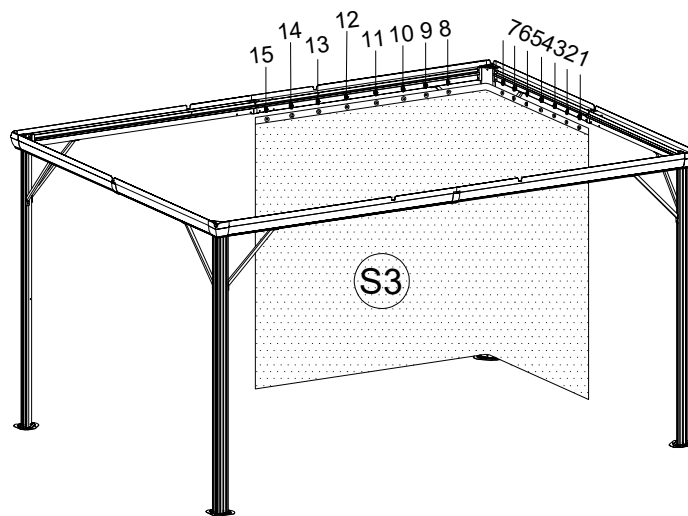
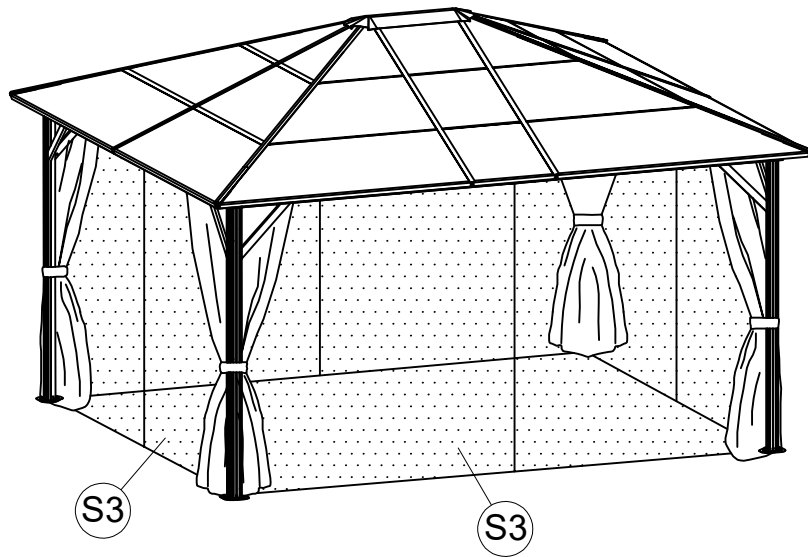
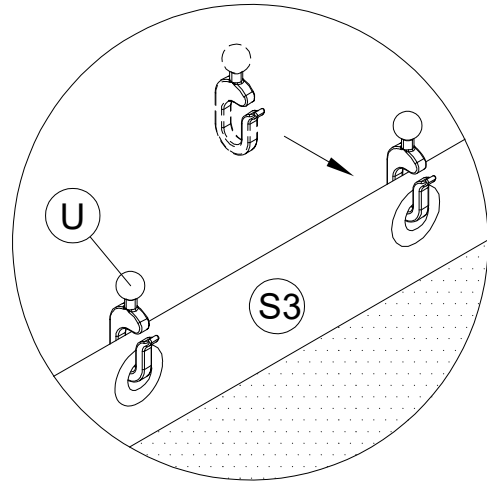
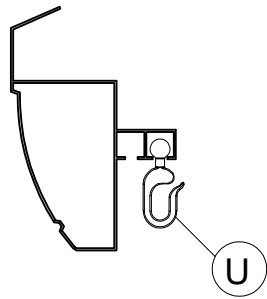
T3 4x





<15>

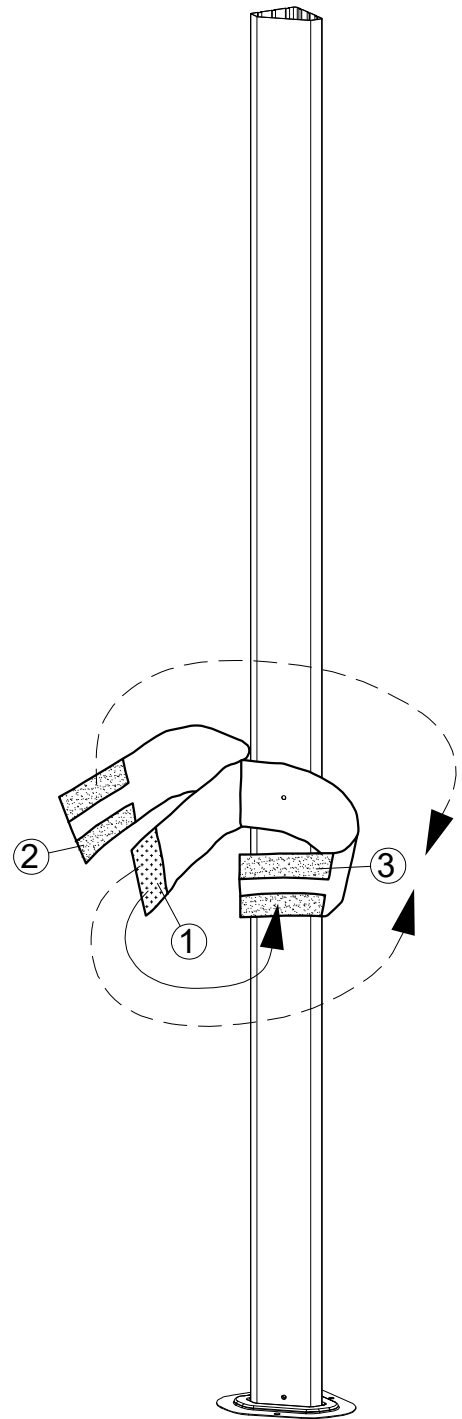
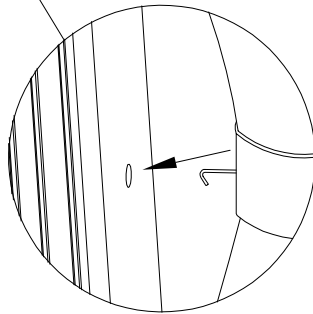
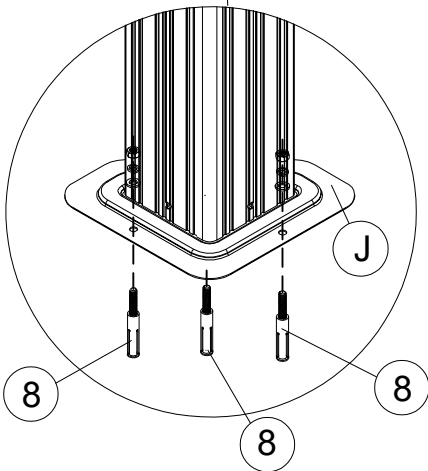
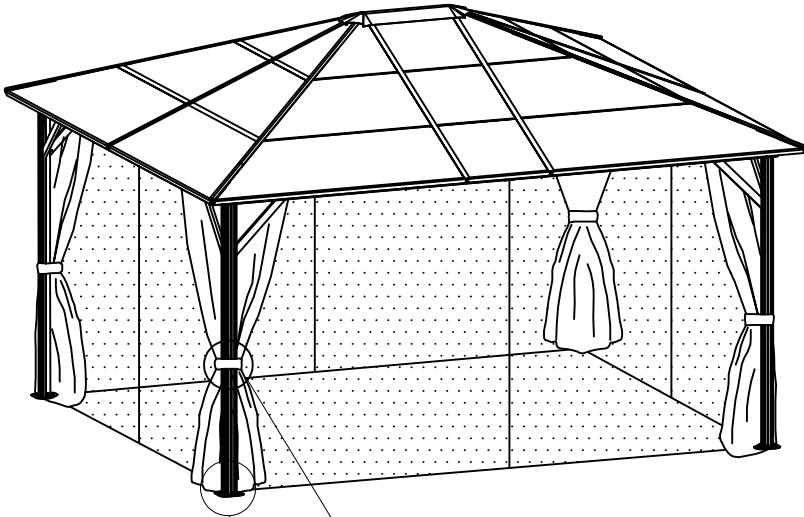
S3 4x





<16>

8 12x



20

Note:

1. 1 stick 2 tie S3 and T3 together
2. 1 stick 3 towards back tie T3
3. 1 stick 3 towards front tie S3

Box A		Box C		Box D	
Part #	Qty	Part #	Qty	Part #	Qty
A4	4	B4	2	F7	6
D3	4	B5	2	F8	4
Y5	4	D4	4	F9	4
Y6	4	Y4	4	F10	4
Y7	4	H	4	F11	4
Y8	4	H1	4	F12	4
Z14	2	L3	1	F13	4
Z1	4	M3	1		
Z2	4	K	4		
		K1	2		
		K2	2		
		X	6		
		P	4		
		U	120		
		J	4		
		V	4		
		N	4		
		N1	6		
		S3	4		
		T3	4		
		1-9	1		
Box B					
Part #	Qty				
C7	2				
C8	2				
E3	6				