

ASSEMBLY INSTRUCTIONS

□ □ □ □ □ □ □ □ □ **HWPS068** □ □ □ □ □ □ □ □ □ □



ATTENTION:





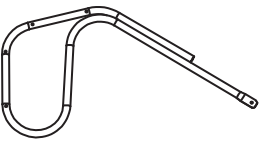
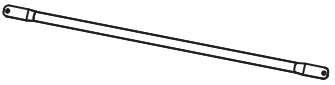
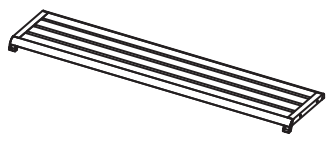
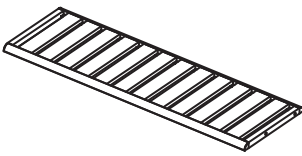






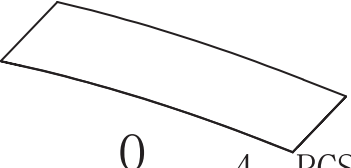
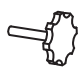











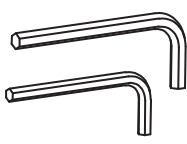

1. Please check the manual carefully and make sure you have received all the parts.
2. If there is any missing, please let us know the letter of the parts you need.
3. If there is any damage, please send clear photos to us, we will check and offer you best solution soon.



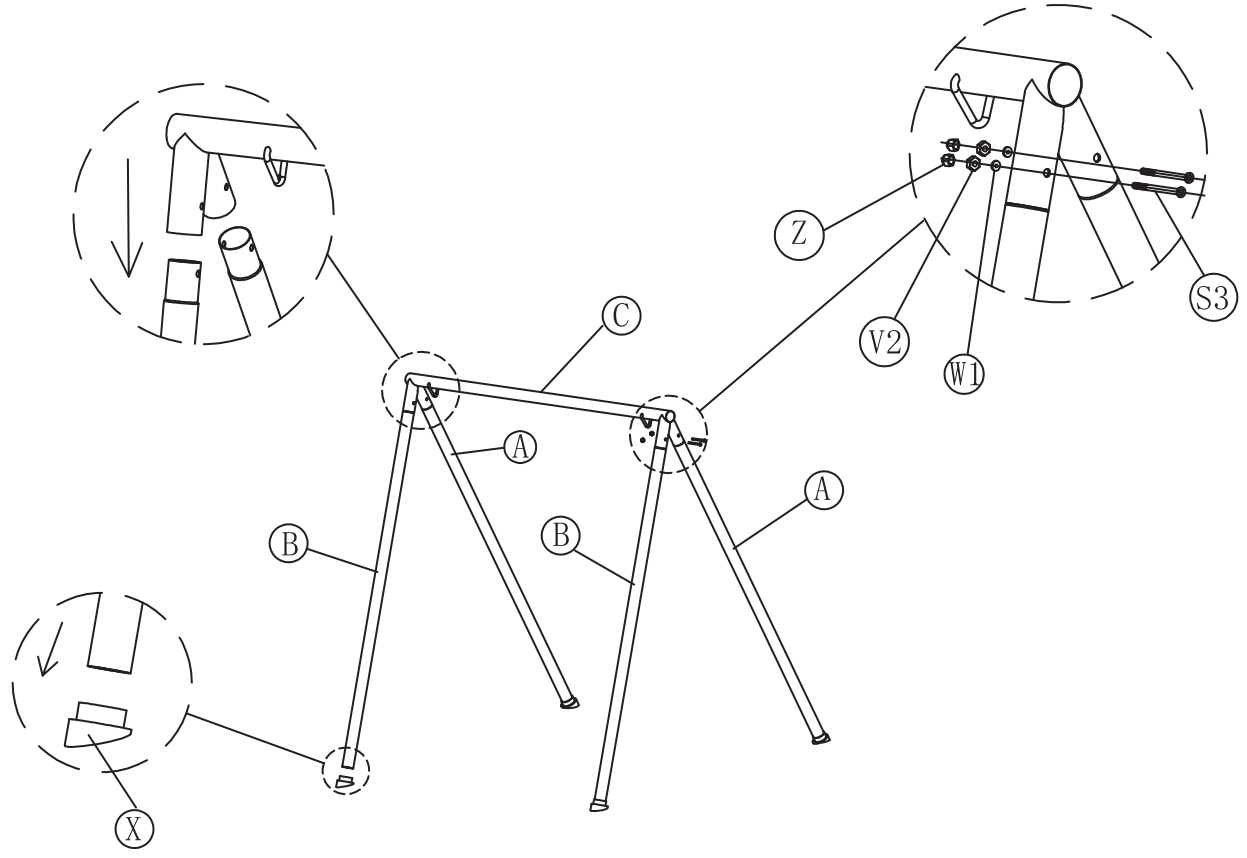
At least need 3person work together

REQUIRED TOOLS

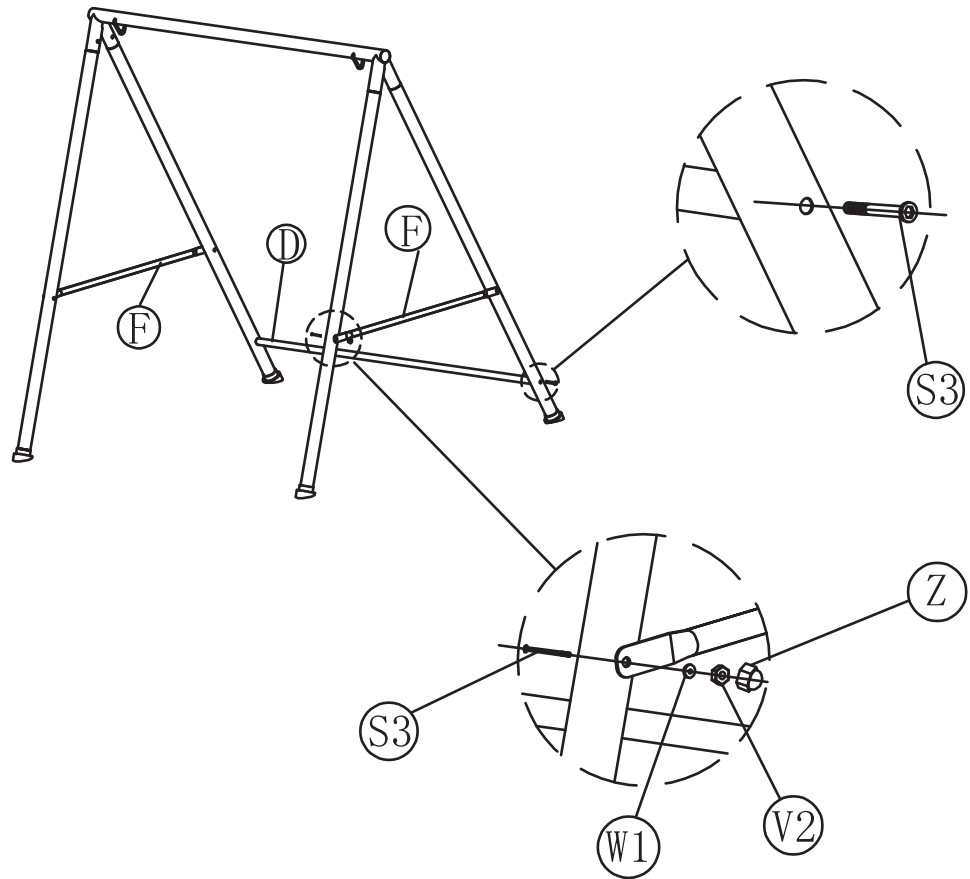


 A 2 PCS		 B 2 PCS		 C 1 PC	
 D 1 PC		 E 2 PCS		 F 2 PCS	
 G 1 PC		 H 1 PC		 I 2 PCS	
 J 1 PC		 K 4 PCS		 L 2 PCS	
 M 2 PCS		 N 3 PCS		 O 4 PCS	
 P 2 PCS	 M6*15 S1 8 PCS	 M6*40 S2 6 PCS	 M8*60 S3 10 PCS	 M8*50 S4 4 PCS	
 M8*75 S5 4 PCS	 M8 Z 8 PCS	 M8 W1 12 PCS	 T 4 PCS	 Y 2 PCS	
 M8 V2 12 PCS	 X 4 PCS				

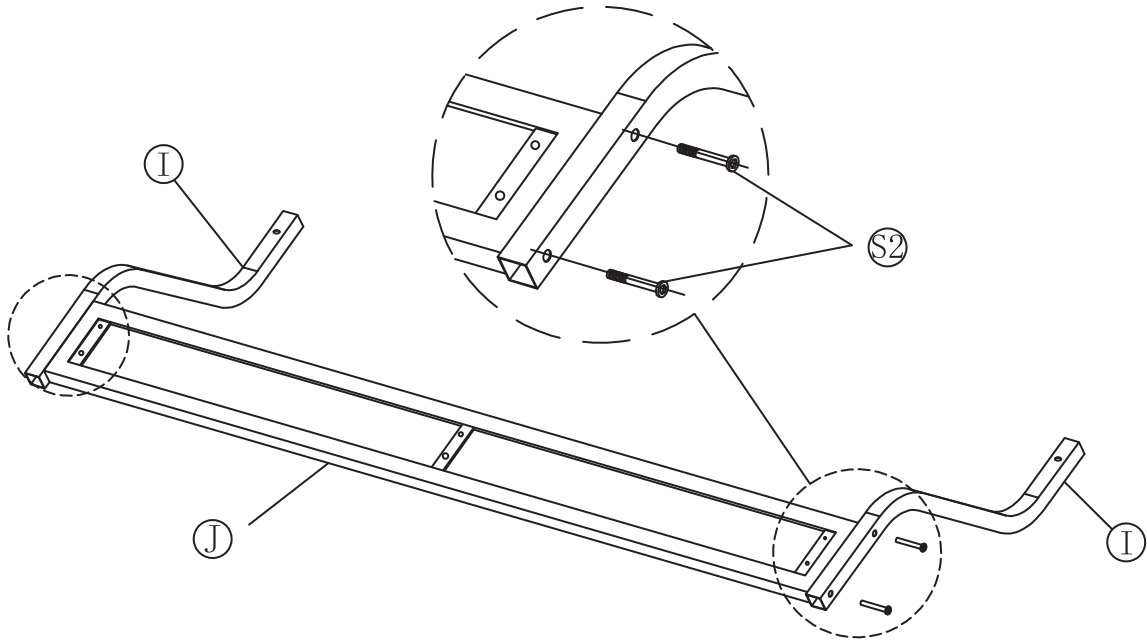
1



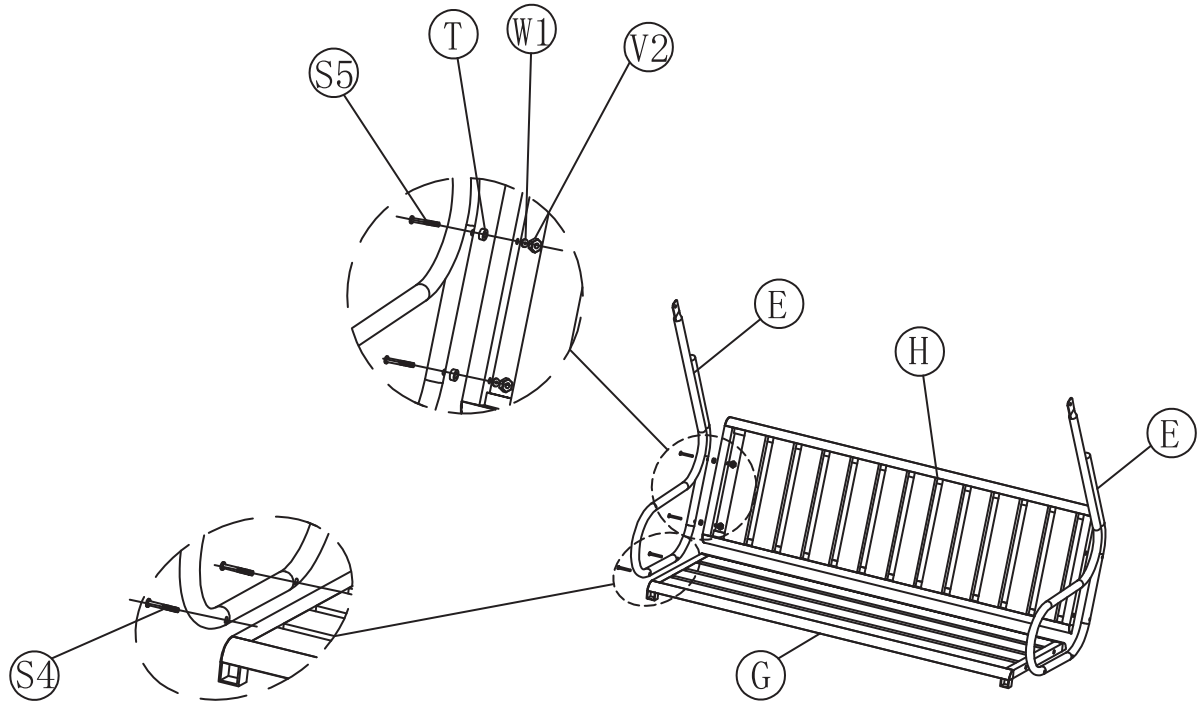
2



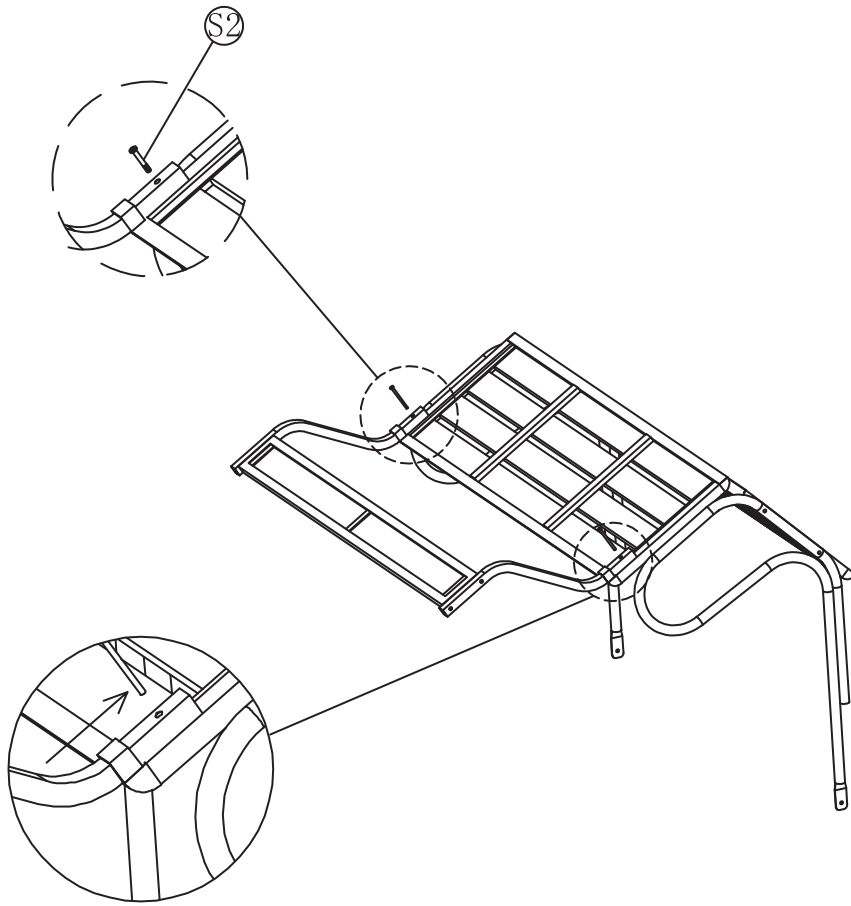
3



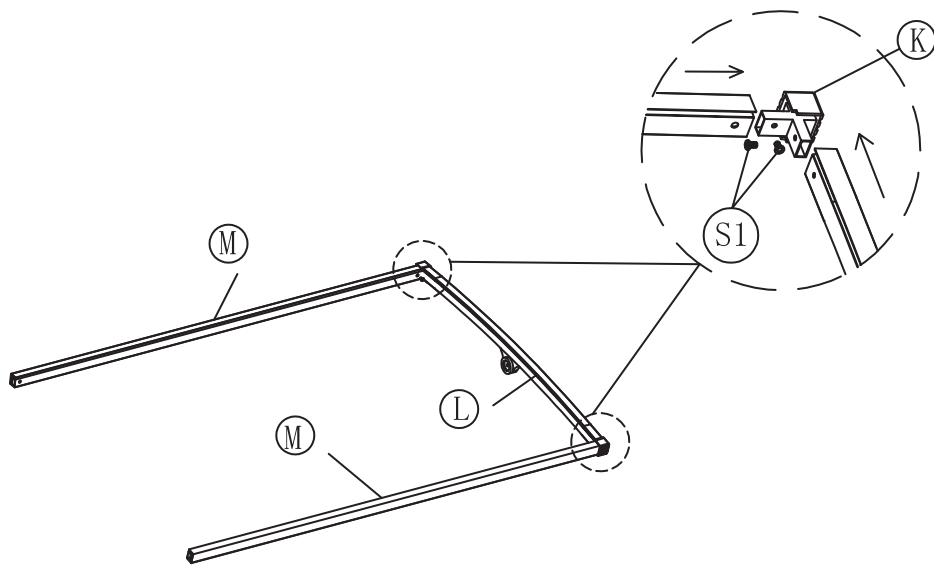
4



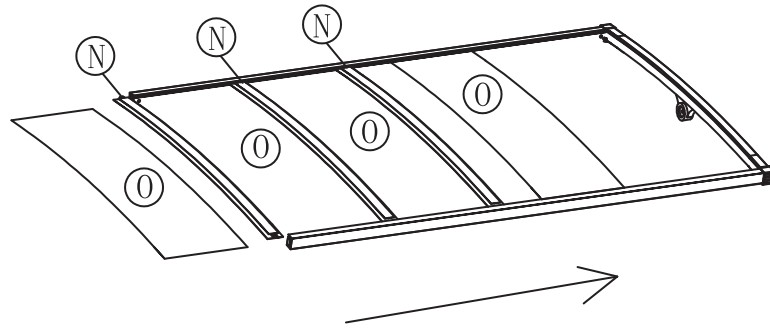
5



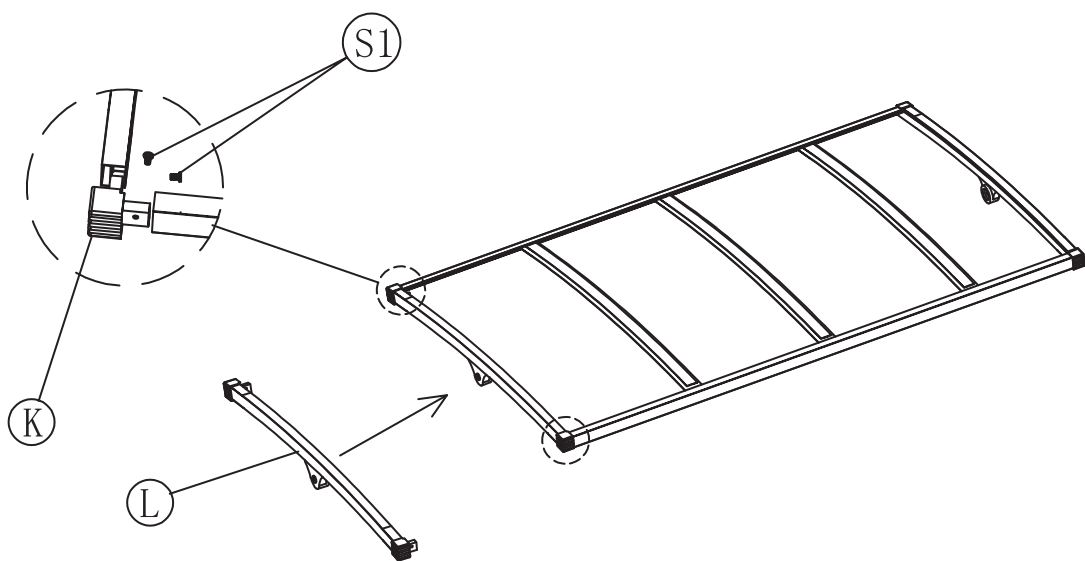
6



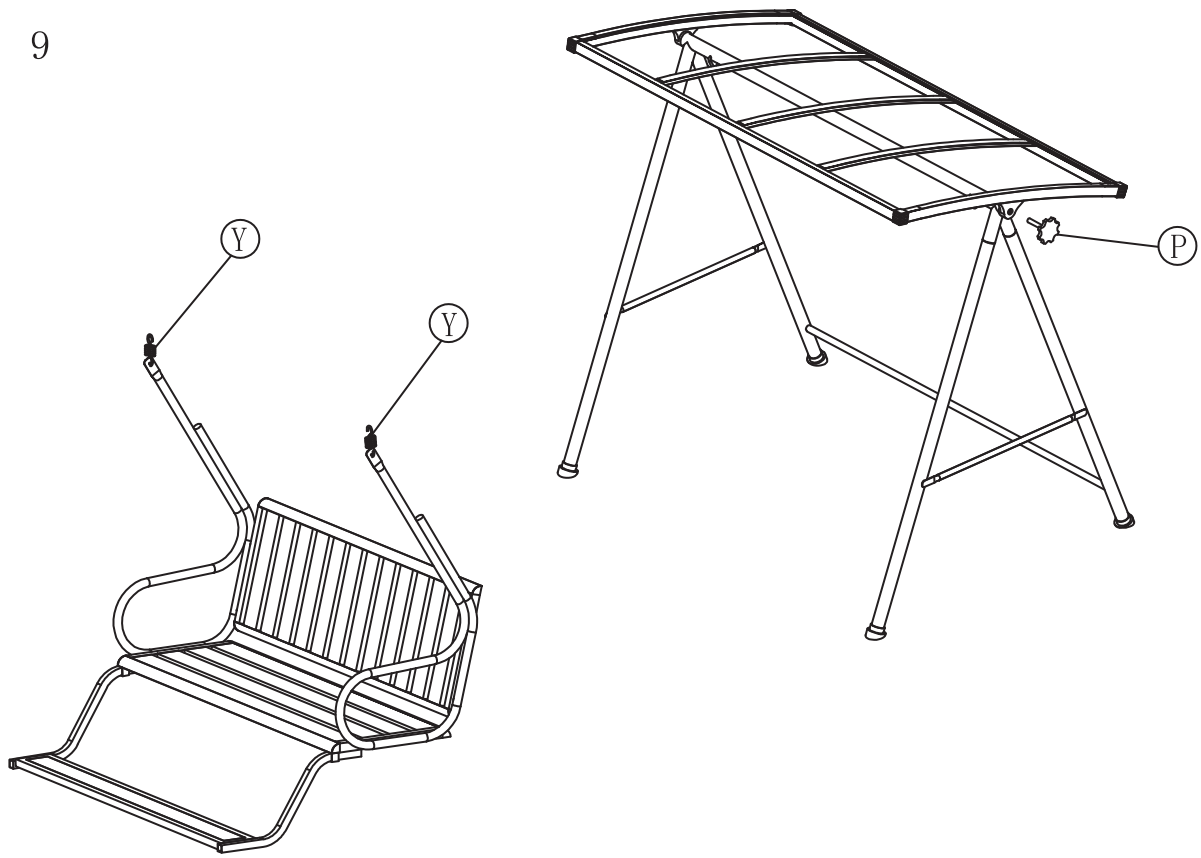
7



8



9



10

