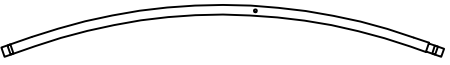
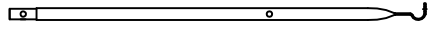
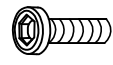
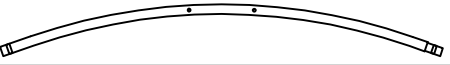
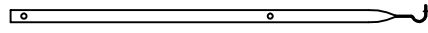
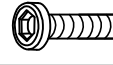
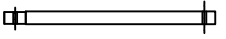
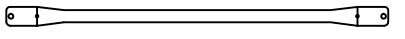
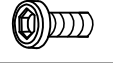

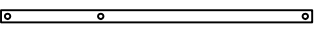


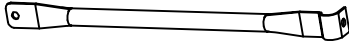


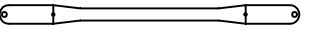


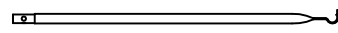

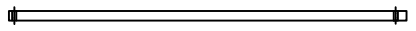
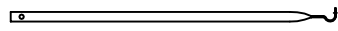

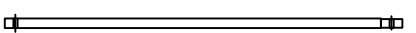


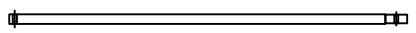
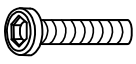

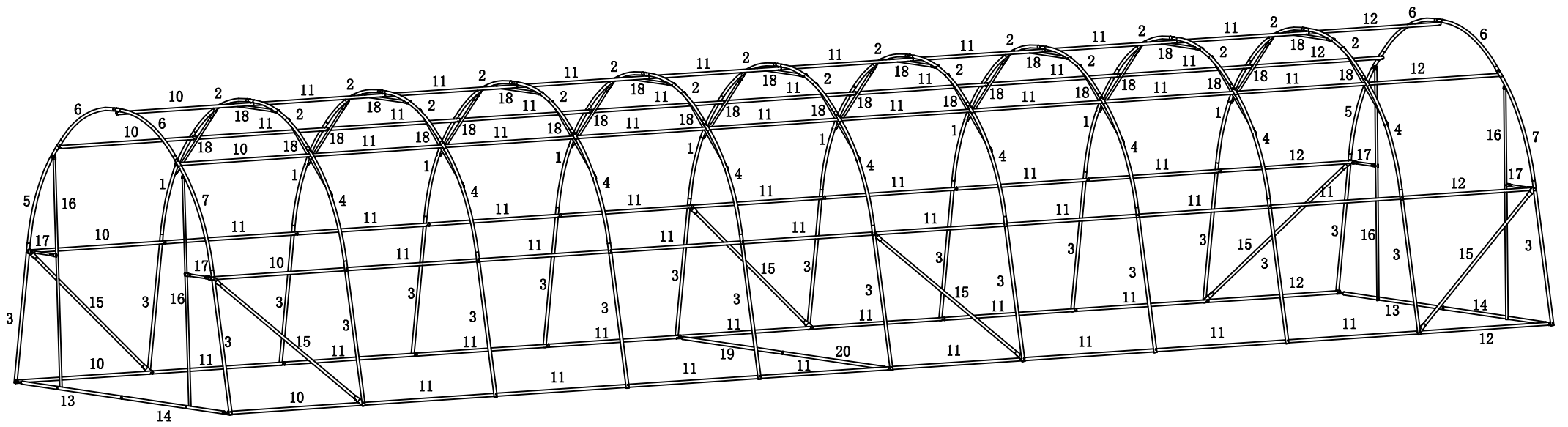


Assembly instruction

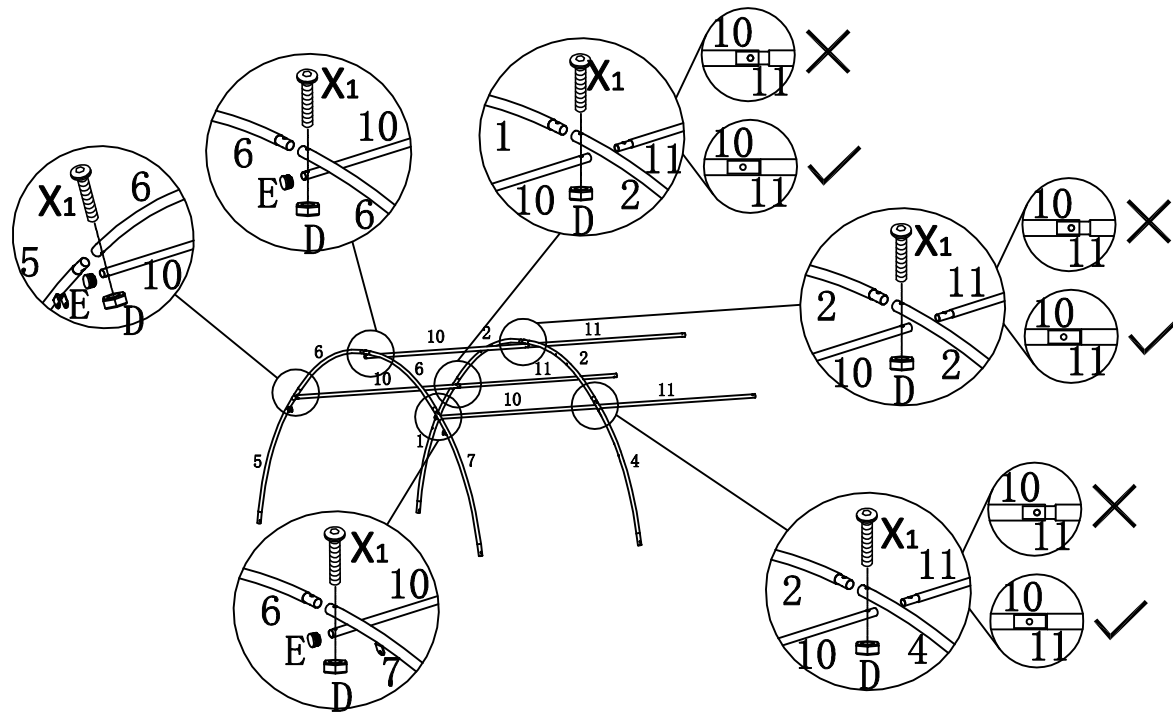
1#		9	13#		2	X ₂		M6*35	57
2#		18	14#		2	X ₃		M6*50	4
3#		22	15#		6	X ₄		M6*30	8
4#		9	16#		4	D			146
5#		2	17#		4	E			10
6#		4	18#		27	F			4
7#		2	19#		1	G			1
10#		7	20#		1	H			4
11#		56	A		52	I			1
12#		7	X ₁		M6*60	77	J		1

Attention

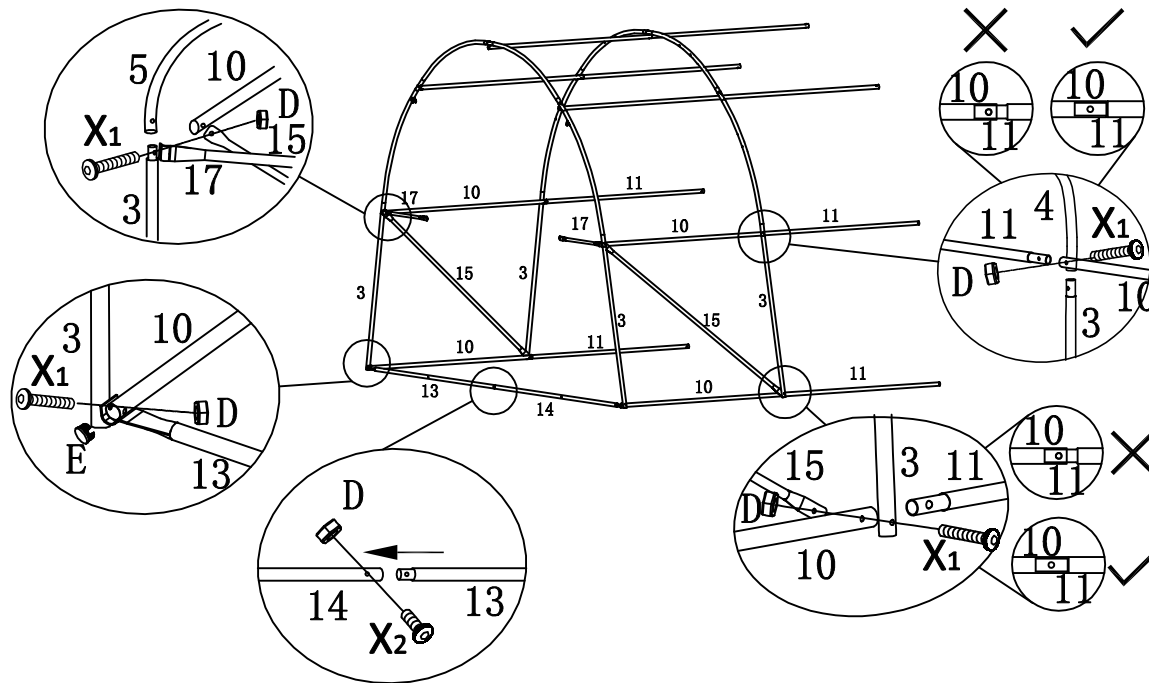
1. Please check the manual carefully and make sure you have received all the parts.
2. If there is any missing, please let us know the letter of the parts you need.
3. If there is any damage, please send clear photos to us, we will check and offer you best solution soon.
4. Please secure your greenhouse in windy conditions with extra ropes when wind speed excess 24 miles/hour.
5. Please try to install your greenhouse away from direct wind conditions.
6. Please keep your Greenhouse clear of snow during snowy conditions. Snow coverage can not be excessed 2inch.
7. We will not accept any responsibility due to greenhouse damaged by severe weather.



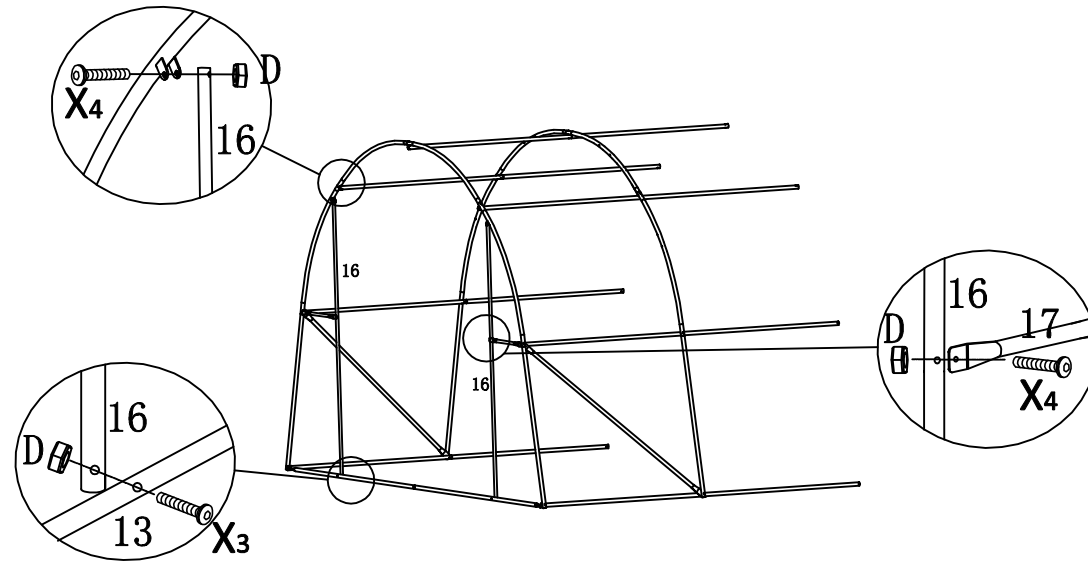
SETP 1



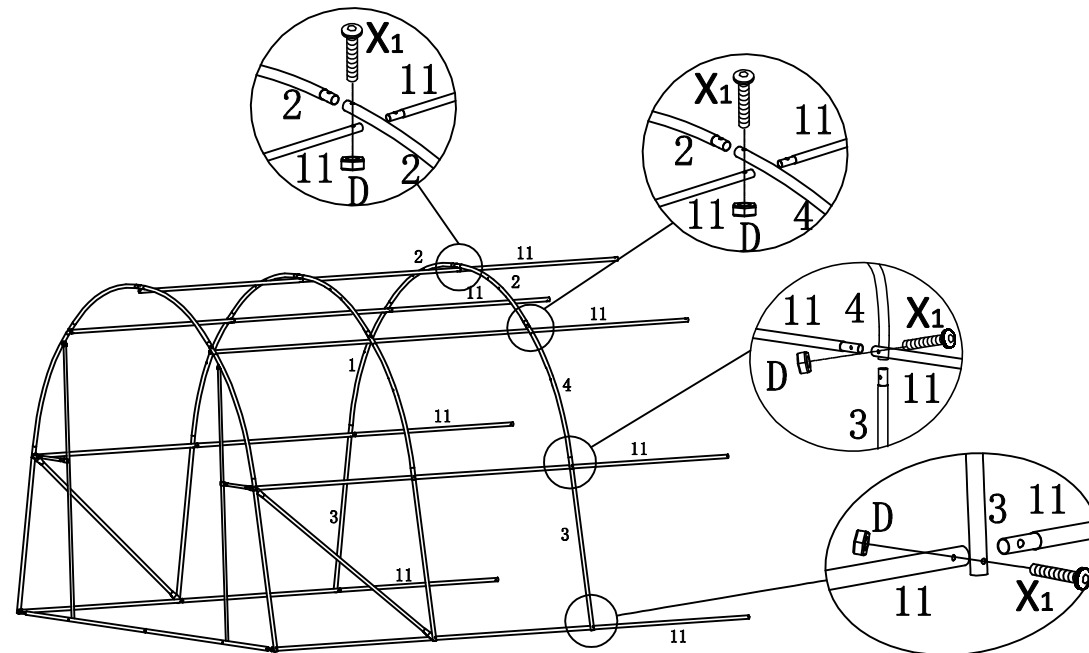
SETP 2



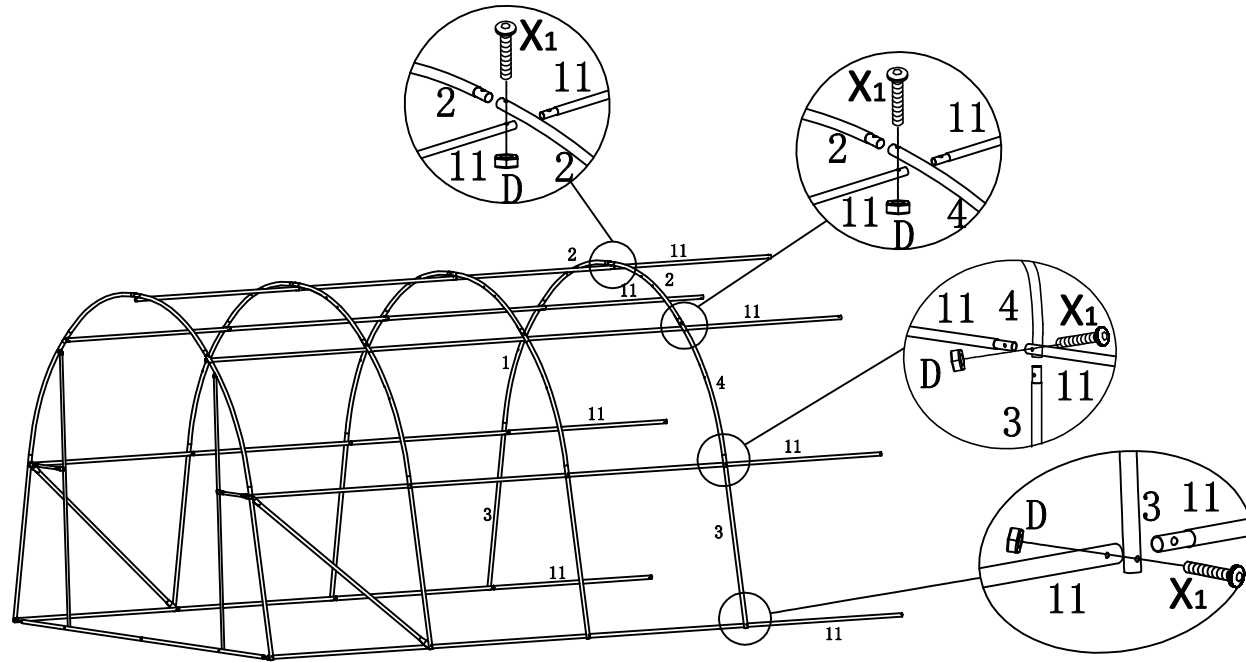
STEP 3



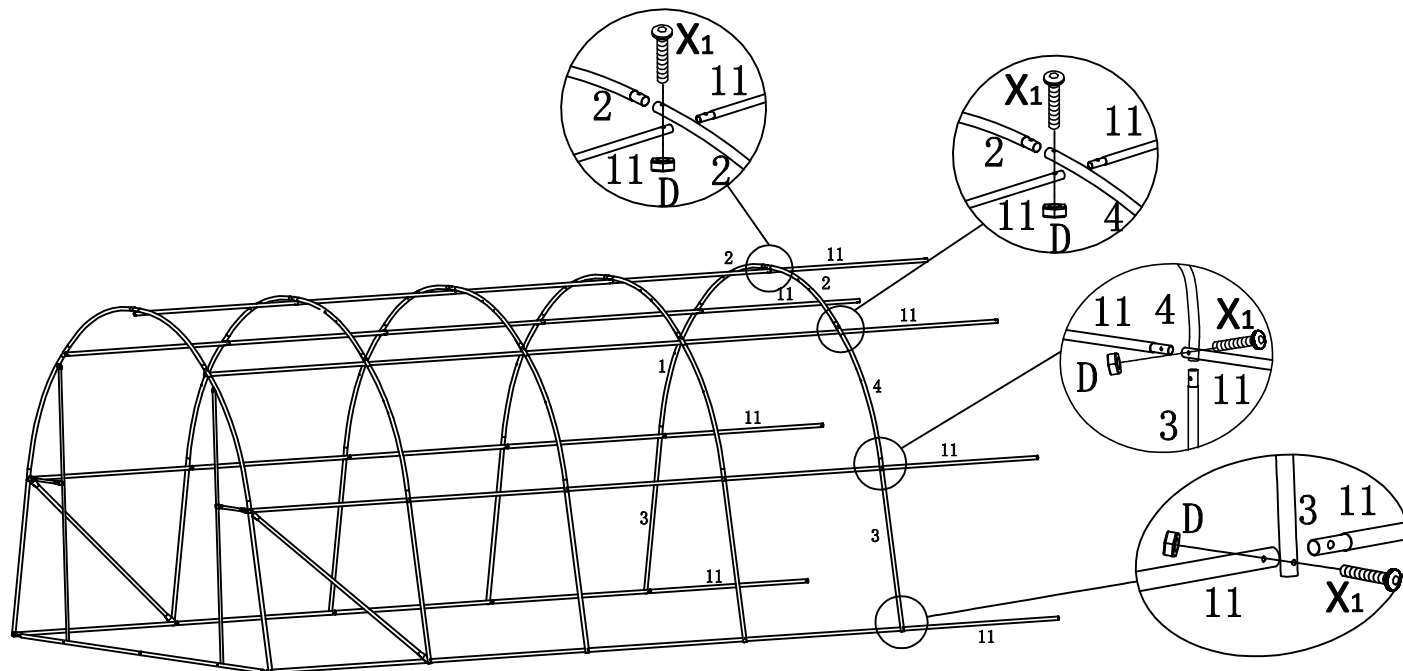
STEP 4



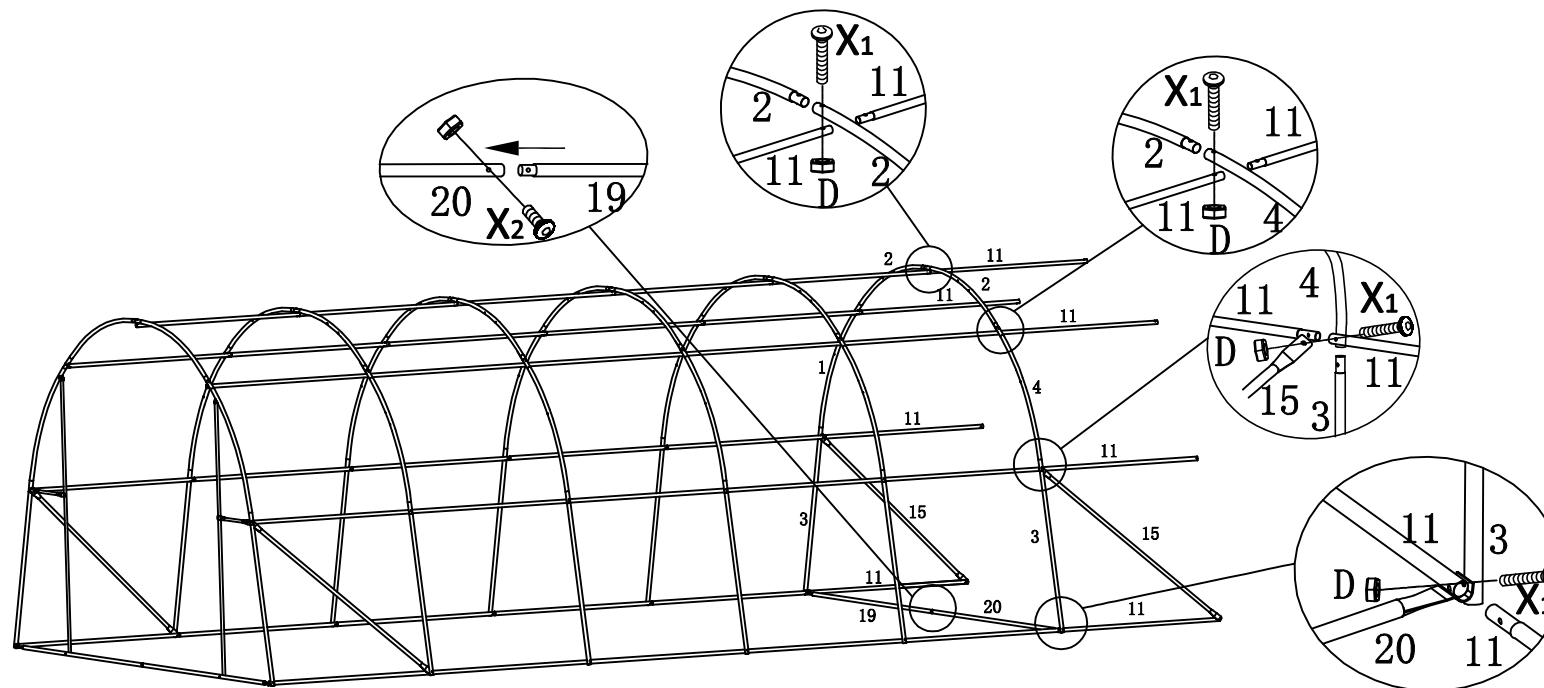
STEP 5



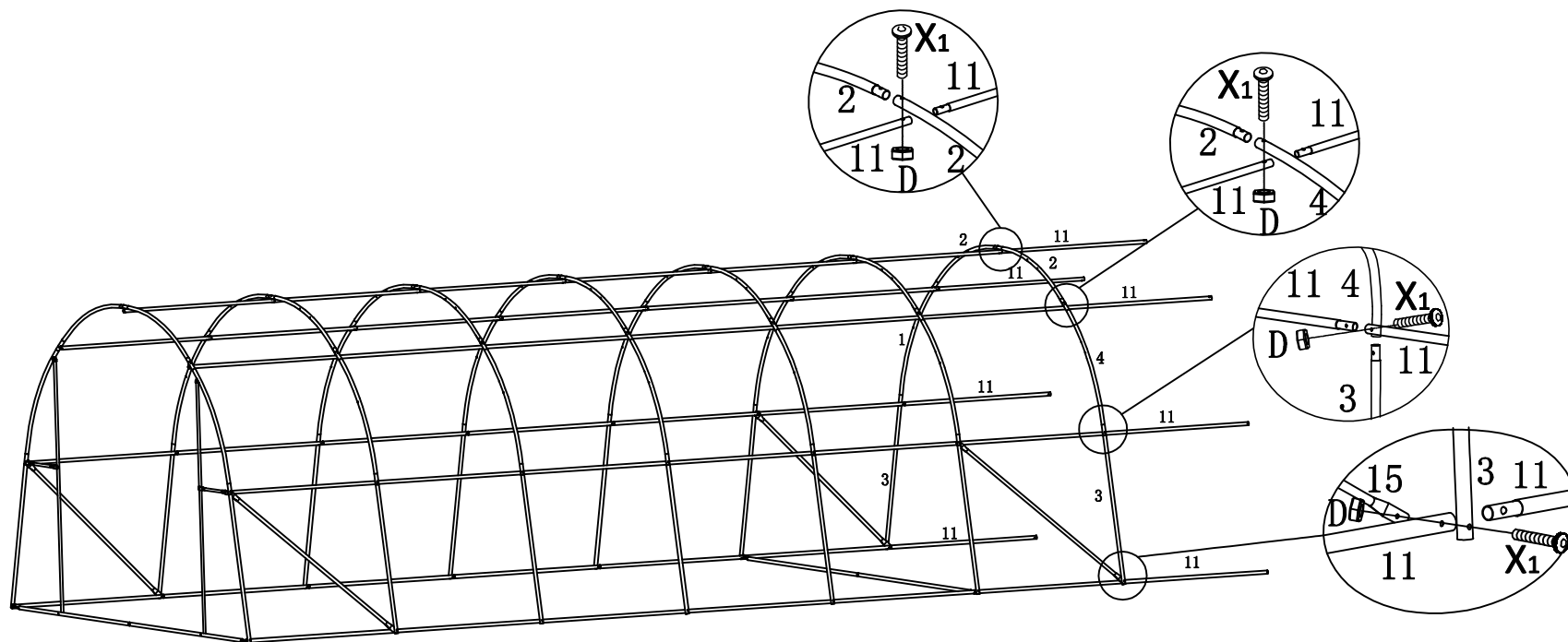
STEP 6



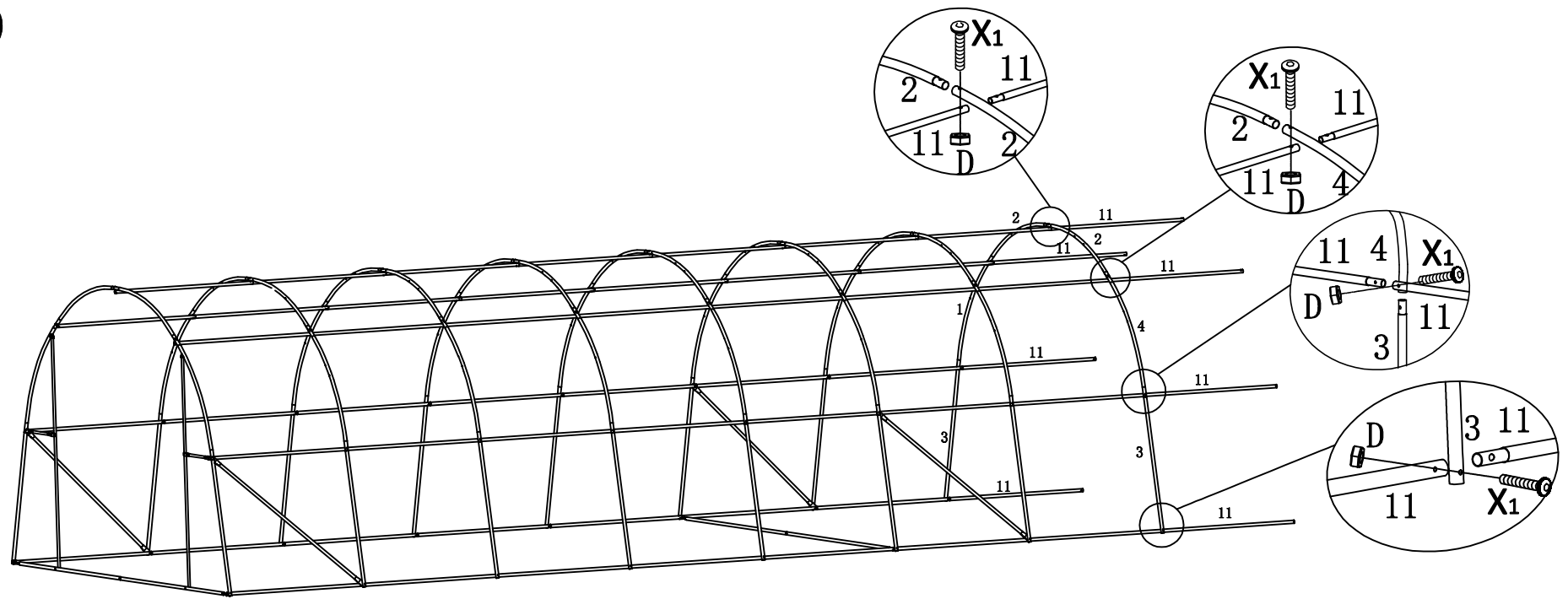
SETP 7



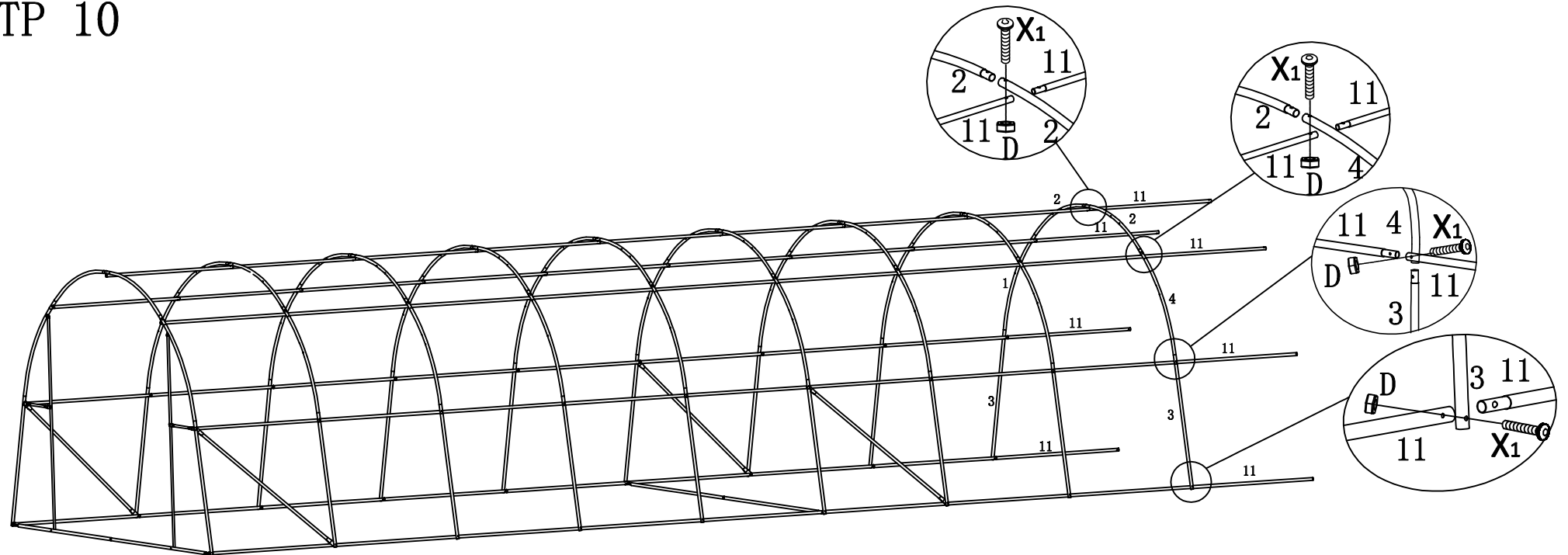
SETP 8



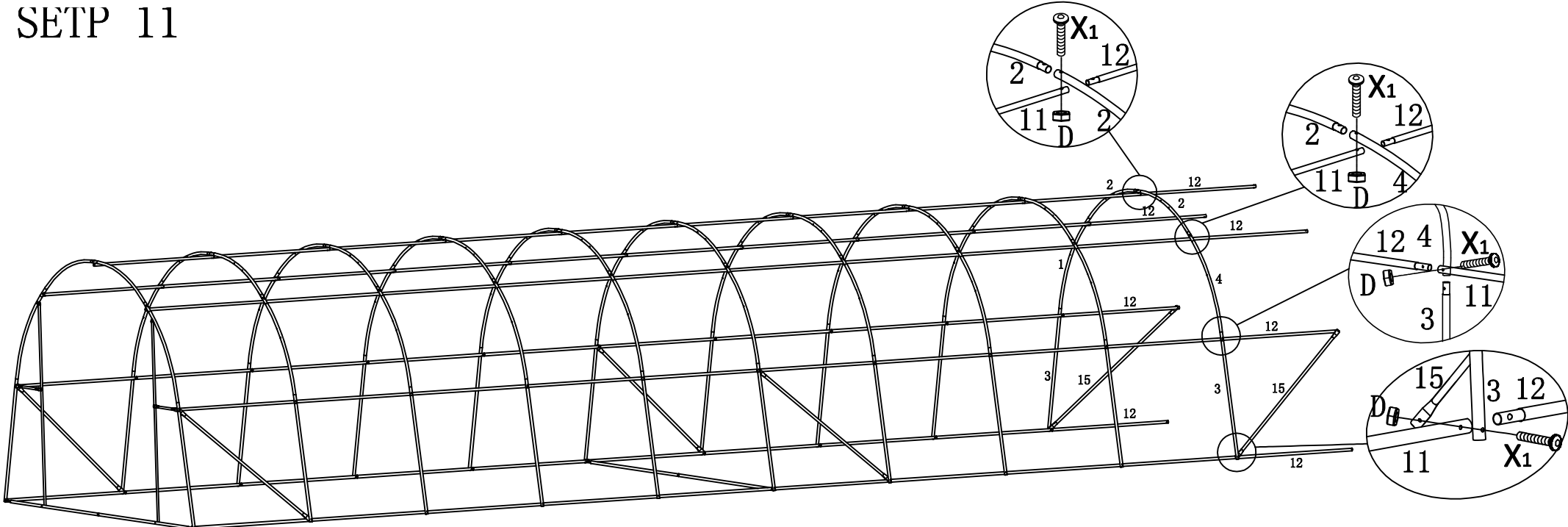
STEP 9



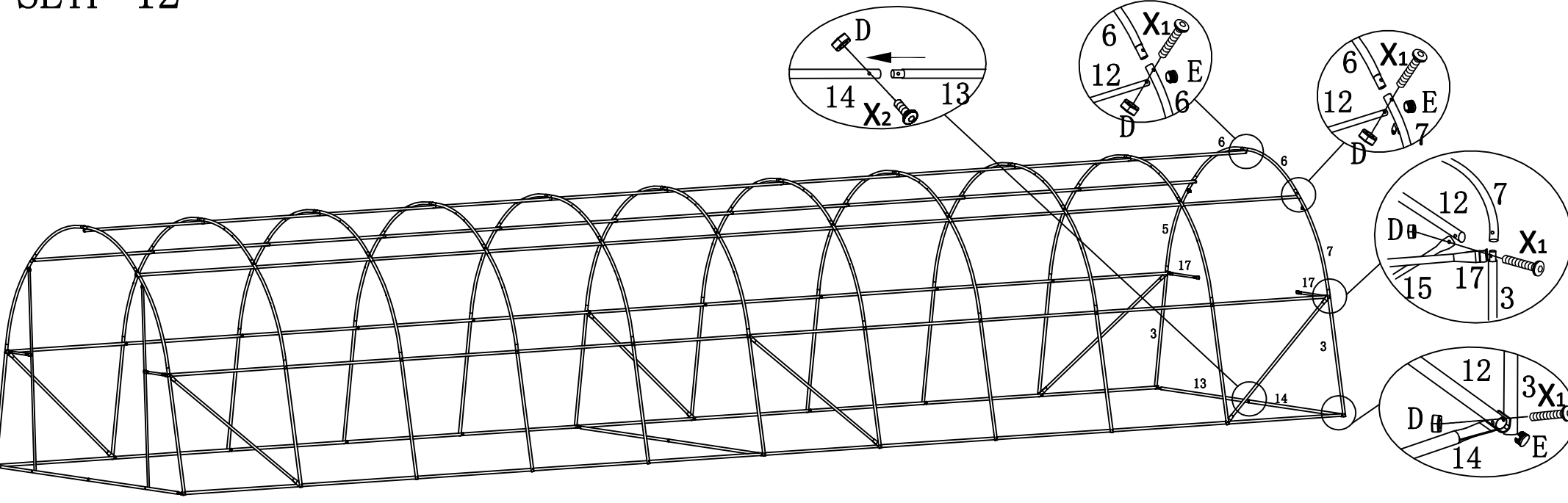
STEP 10



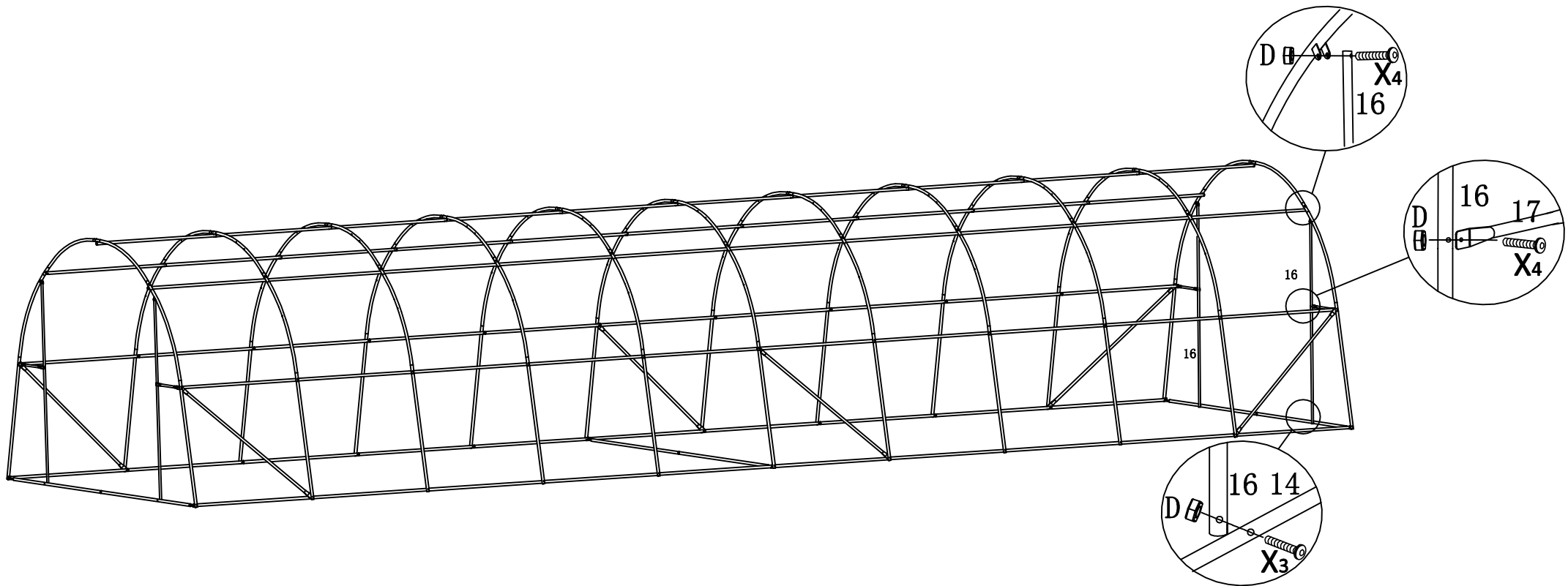
SETP 11



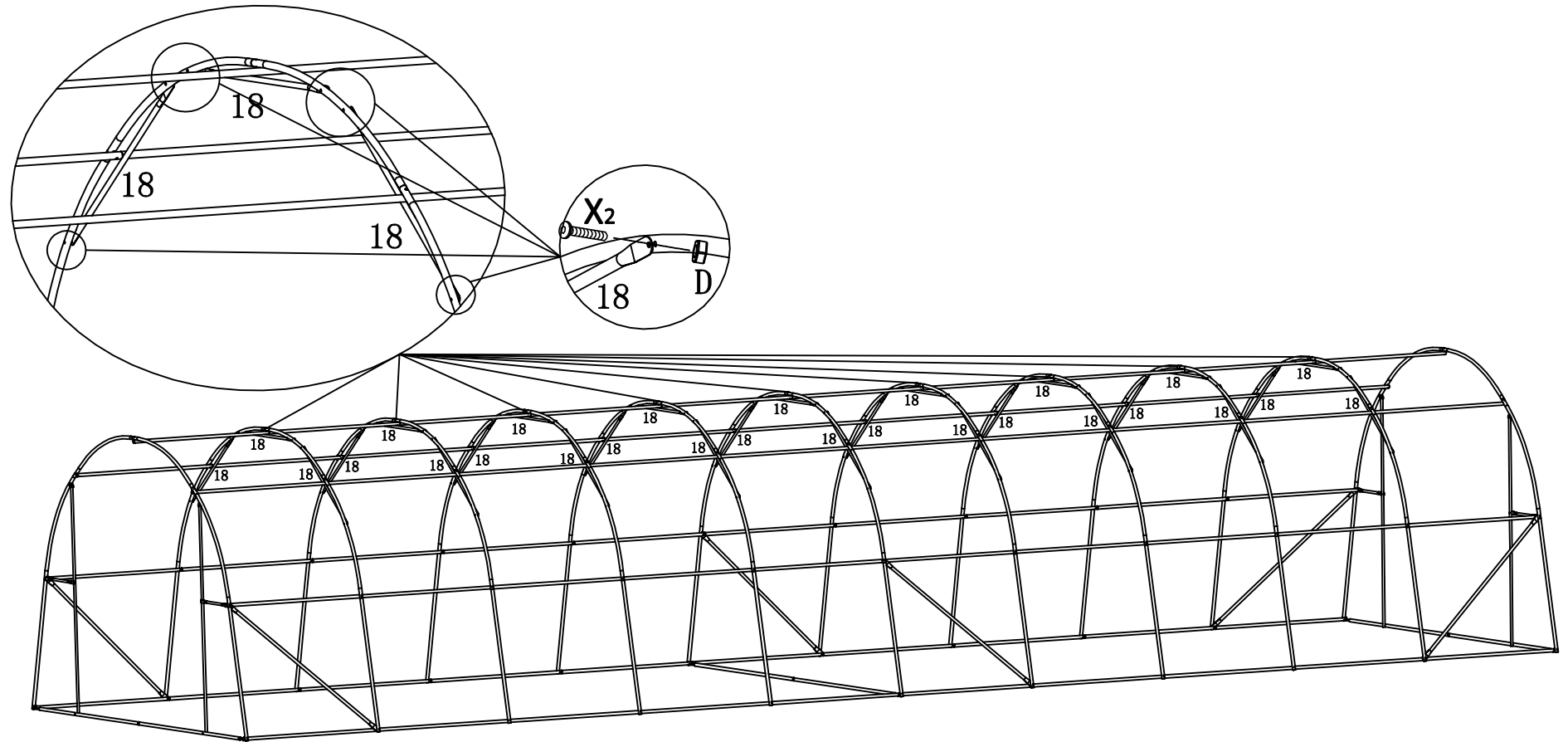
SETP 12



SETP 13



SETP 14



SETP 15

