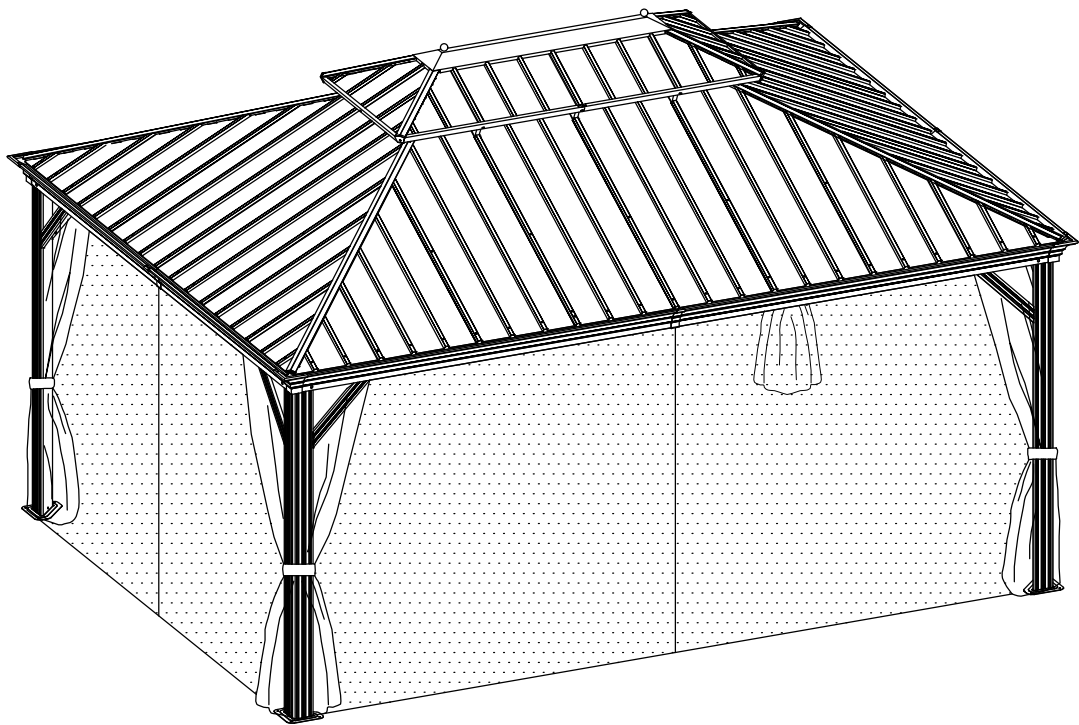
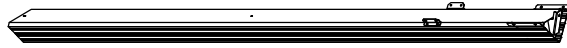


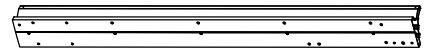
12 x 16FT

▯ ▯ ▯ ▯ ▯ ▯ ▯ HWG20-037JS-1 ▯ ▯ ▯ ▯ ▯ ▯ ▯





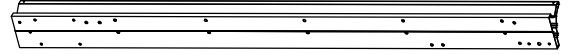
(A) 4x



(B1) 2x



(B2) 2x



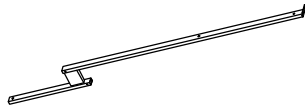
(B5) 2x



(B6) 2x



(E) 4x



(E1) 8x



(C1) 2x



(C2) 2x



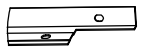
(C5) 2x



(C6) 2x



(D1) 2x



(D2) 2x



(D3) 2x



(D4) 2x



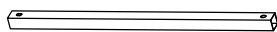
(D5) 2x



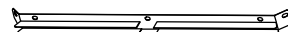
(D6) 2x



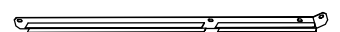
(F1) 8x



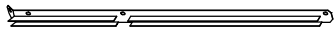
(F2) 4x



(I1) 2x



(I3) 2x



I4 2x



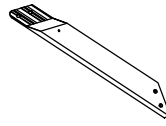
G1 2x



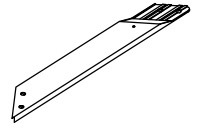
G3 2x



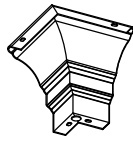
G4 2x



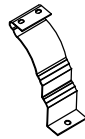
H 4x



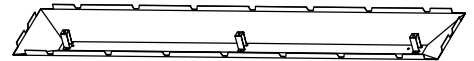
H1 4x



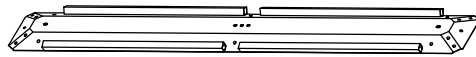
K 4x



K1 4x



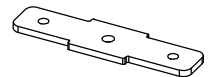
M3b 1x



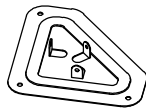
L3 1x



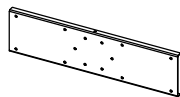
W 4x



W1 8x



J 4x



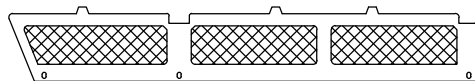
P 4x



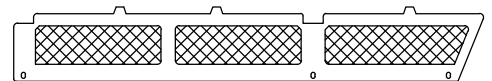
V 4x



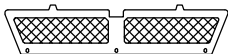
E5 4x



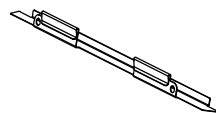
V3a 2x



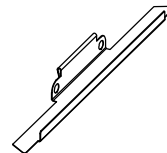
V3b 2x



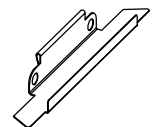
V1 2x



Z 64x



Z1 8x



Z2 8x



U 128x



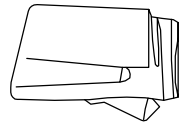
N 8x



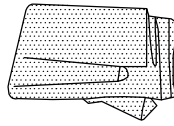
N1 2x



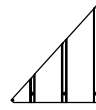
Y 96x



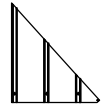
T 4x



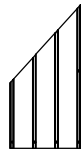
T1 4x



R1 4x



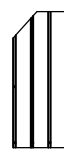
R2 4x



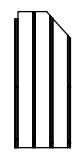
R3 4x



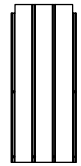
R4 4x



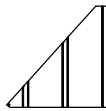
R5 4x



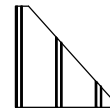
R6 4x



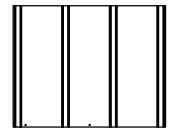
R7 4x



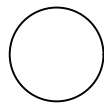
S1 4x



S2 4x



S3 4x



Za 2x



M6x15

1 291x



M6x23

2 72x



M6x25

3 8x



ST 4.8x12

4 24x



5 2x



M6x42

6 8x



M6x47

7 8x



8 16x

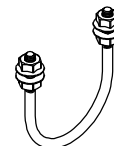


M6x10

9 8x



10 12x



11 1x



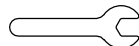
12 2x

4mm



13 1x

6mm



14 1x

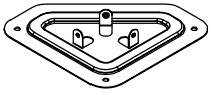


A 4x



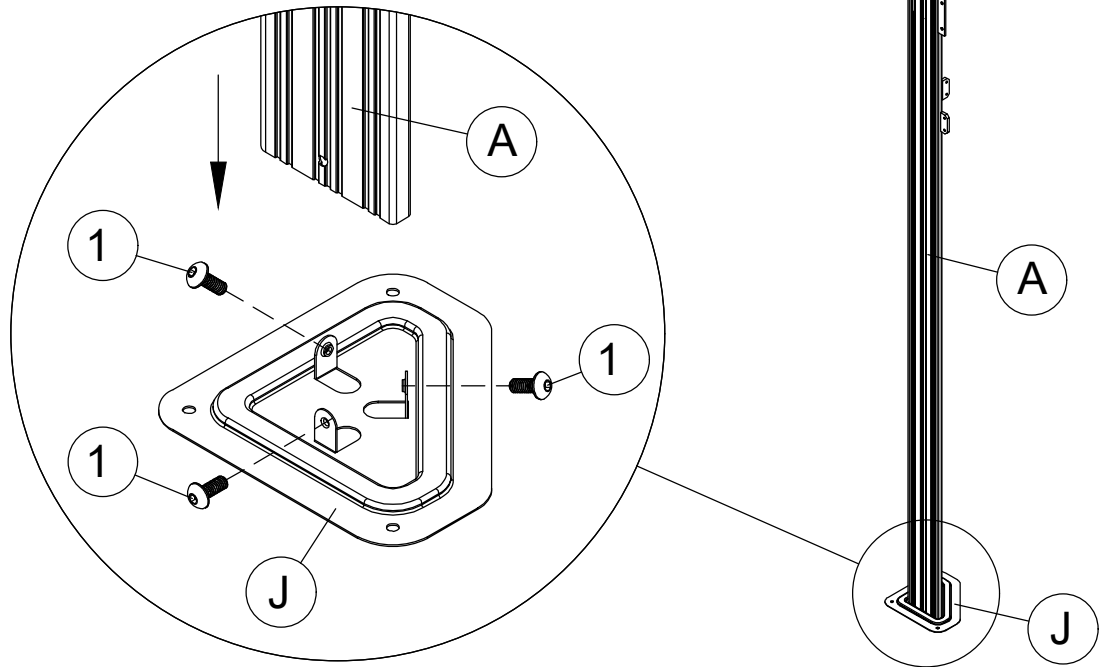
M6x15

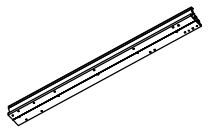
1 12x



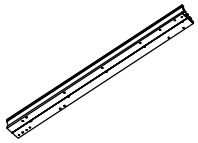
J 4x

<1>





B1 2x



B2 2x



C1 2x



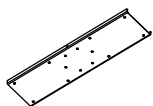
C2 2x



D1 2x



D2 2x



P 2x

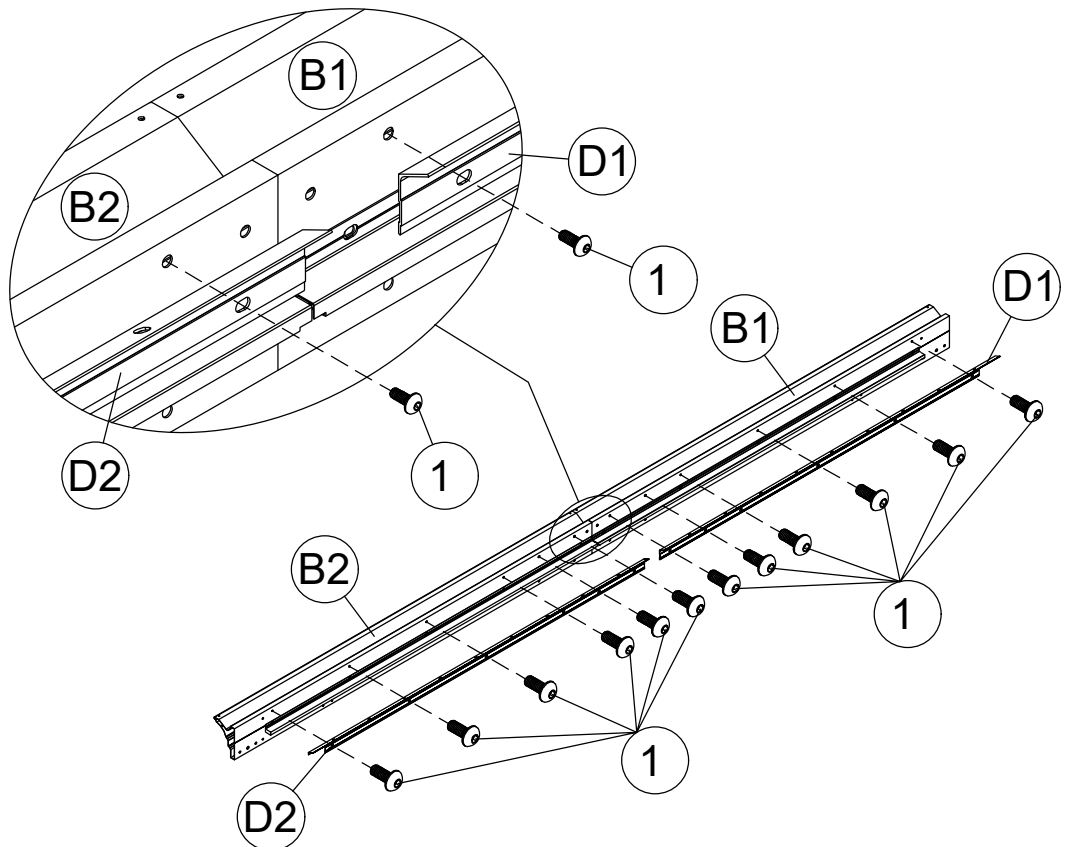
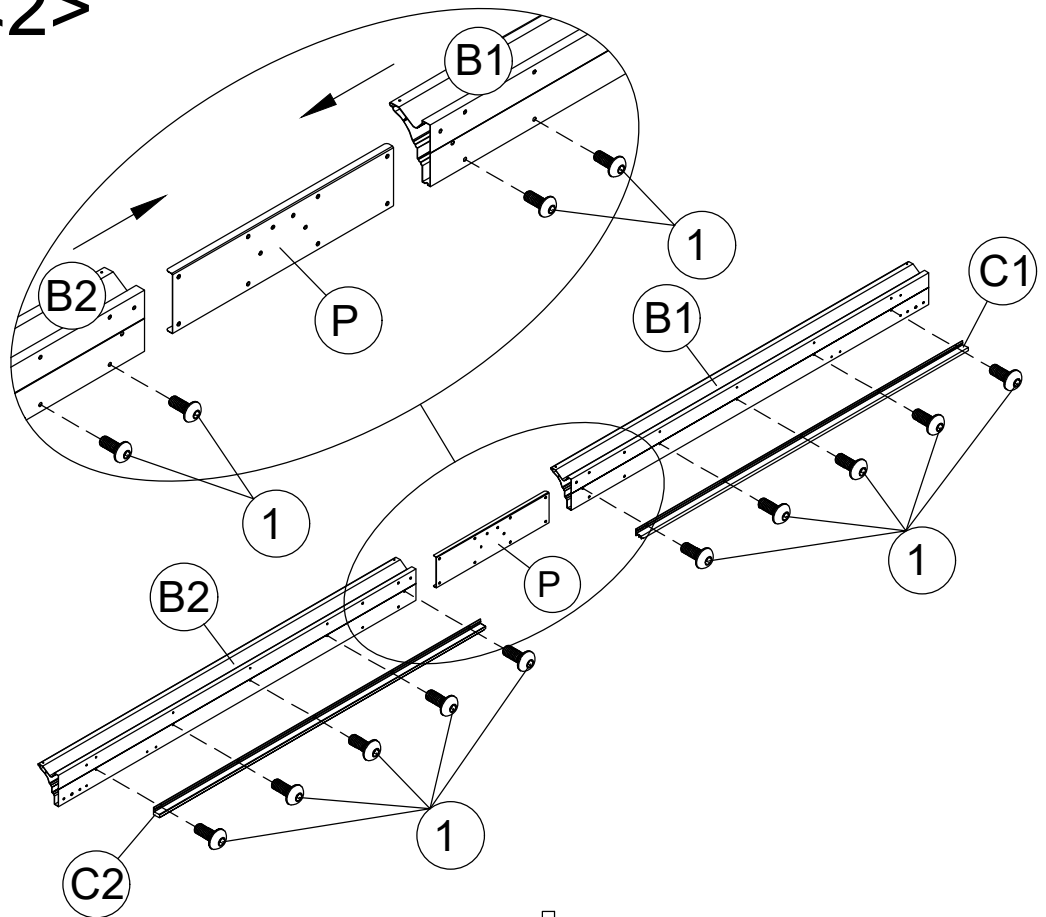


M6x15

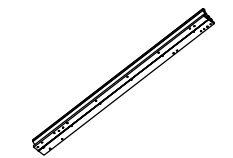
1 52x

6

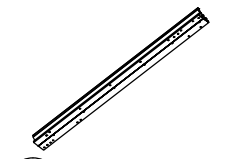
<2>



<3>



B5 2x



B6 2x



C5 2x



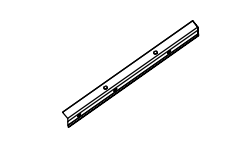
C6 2x



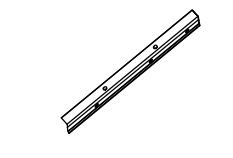
D3 2x



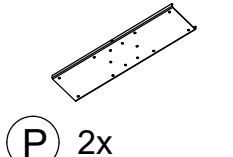
D4 2x



D5 2x

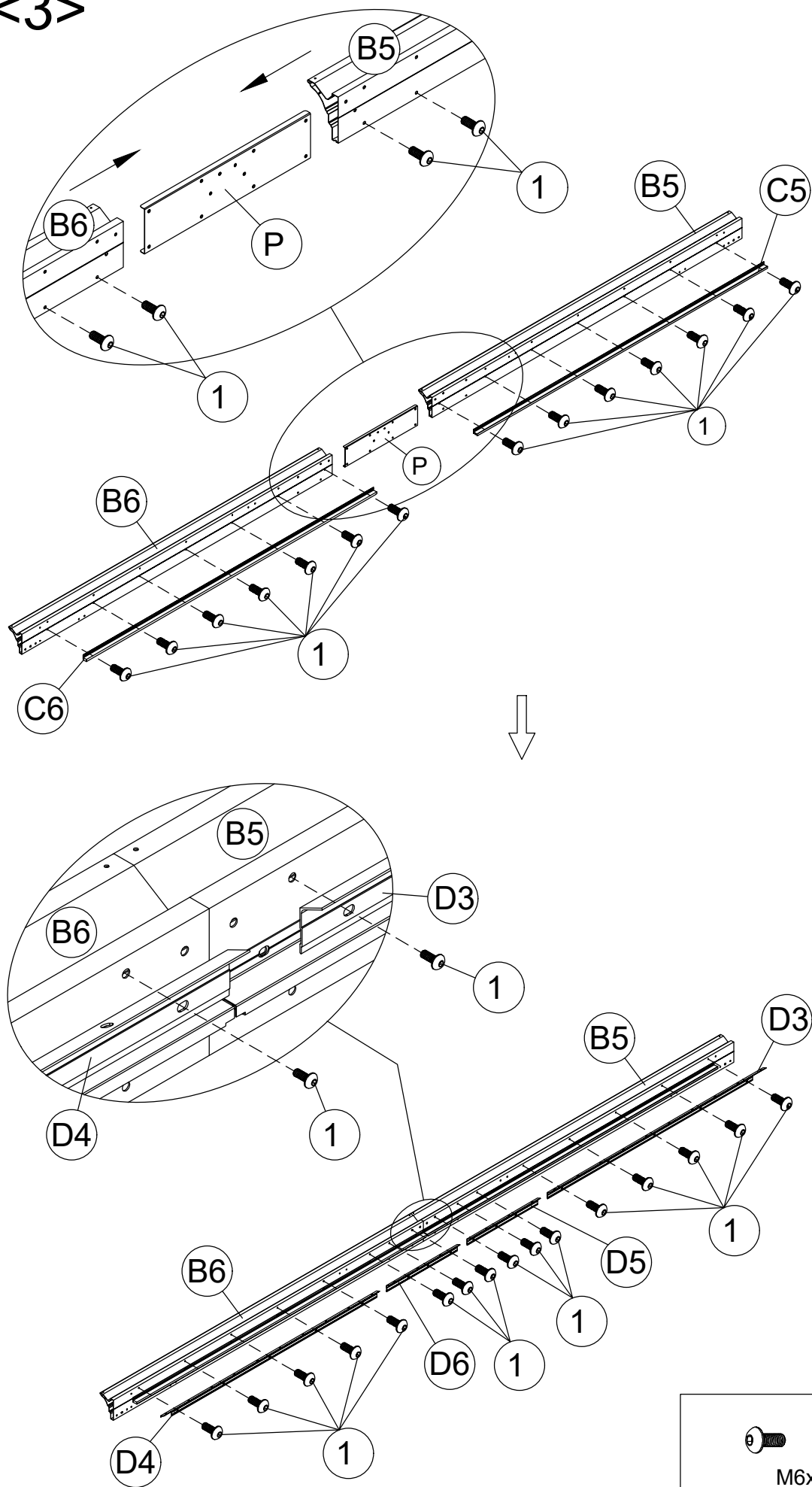


D6 2x



P 2x

7



M6x15

1 68x



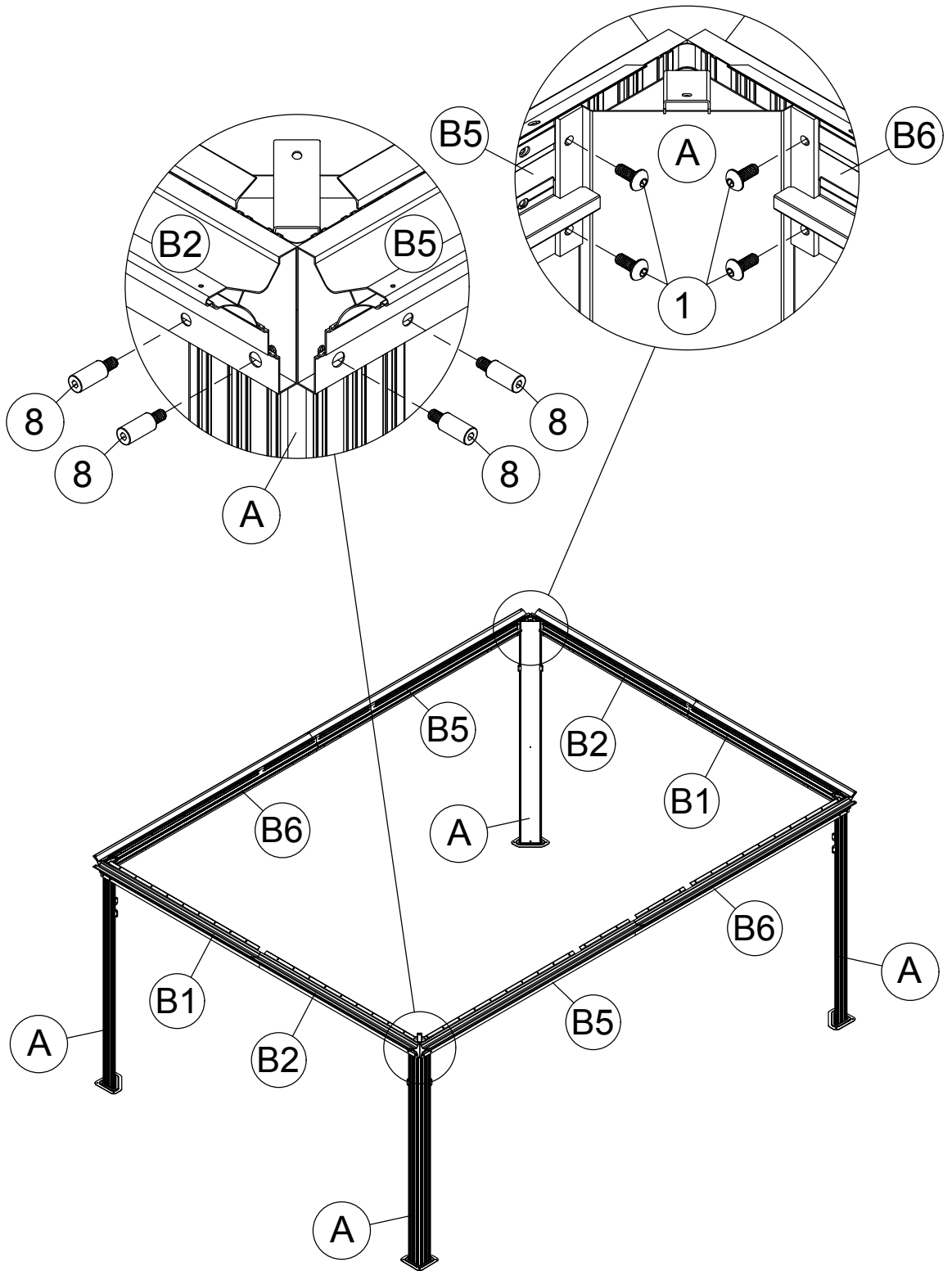
M6x15

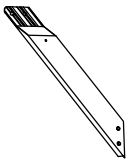
1 16x



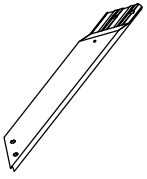
8 16x

<4>





(H) 4x



(H1) 4x



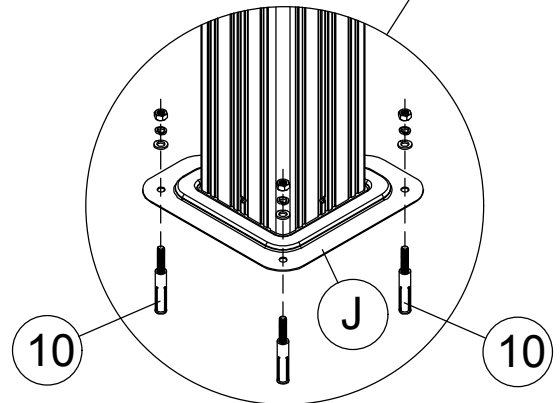
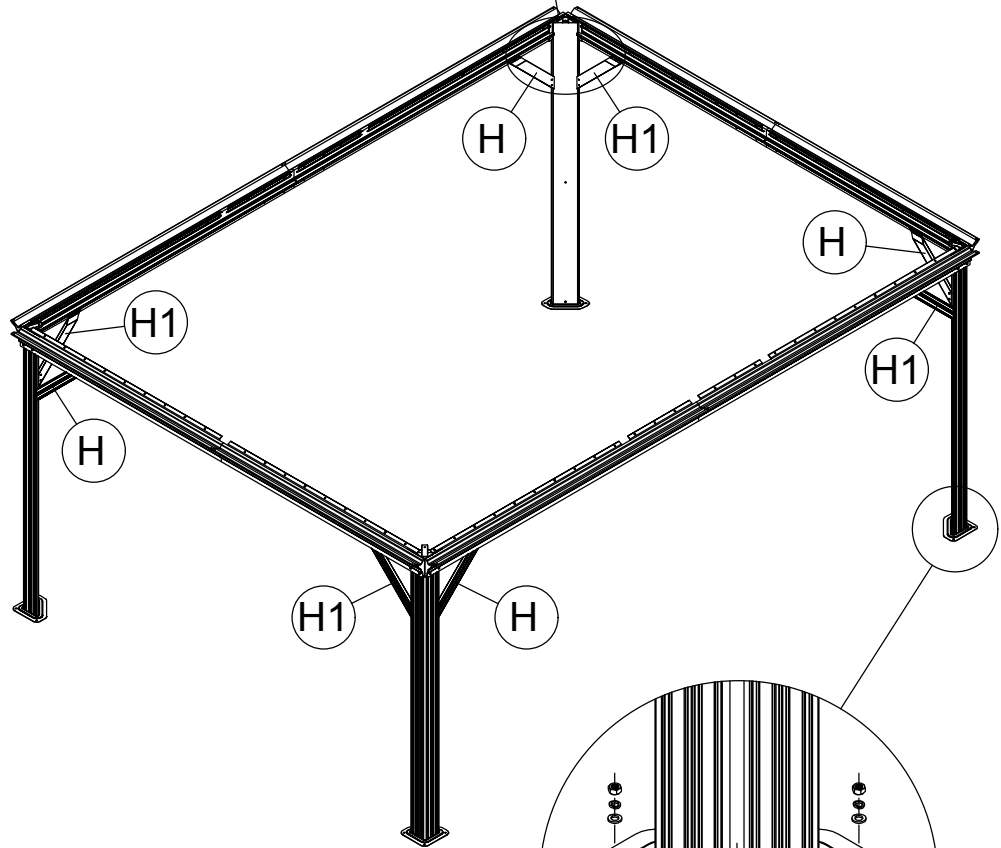
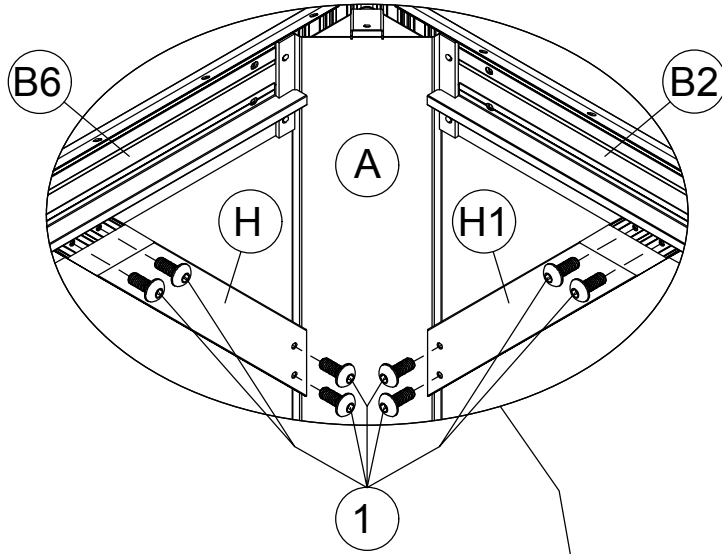
M6x15

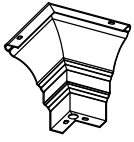
(1) 32x



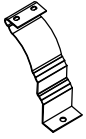
(10) 12x

<5>





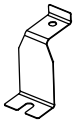
K 4x



K1 4x



U 128x



V 4x



M6x15

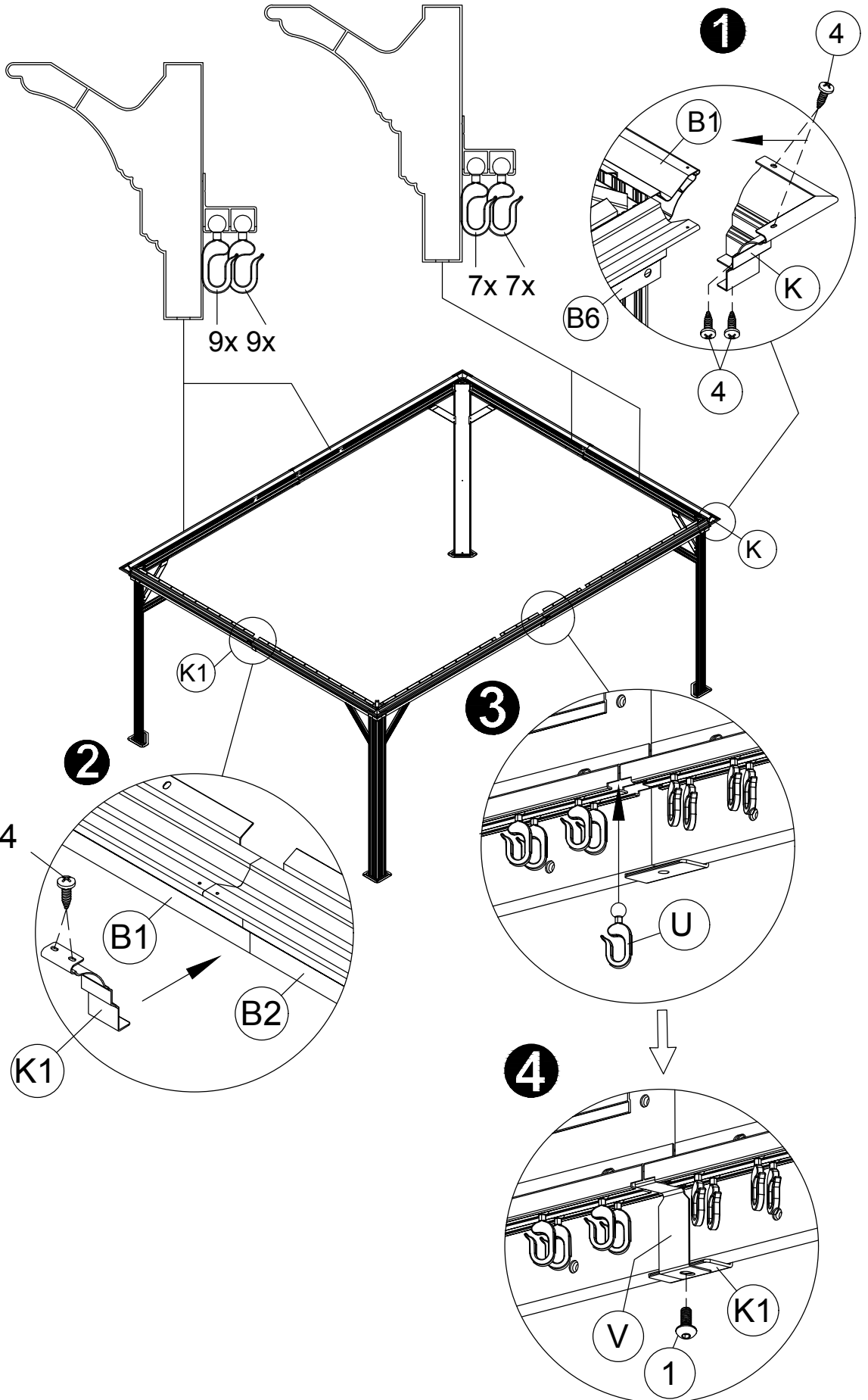
1 4x

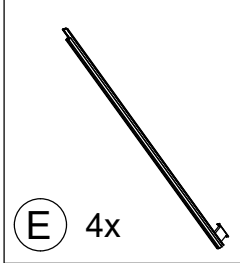


ST 4.8x12

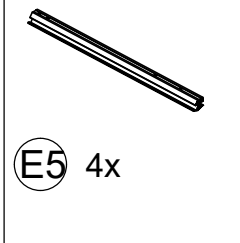
4 24x

<6>

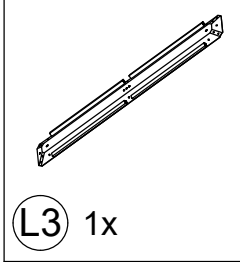




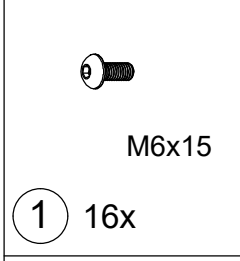
E 4x



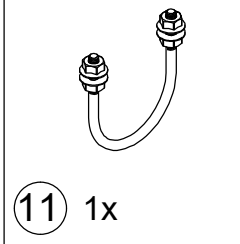
E5 4x



L3 1x

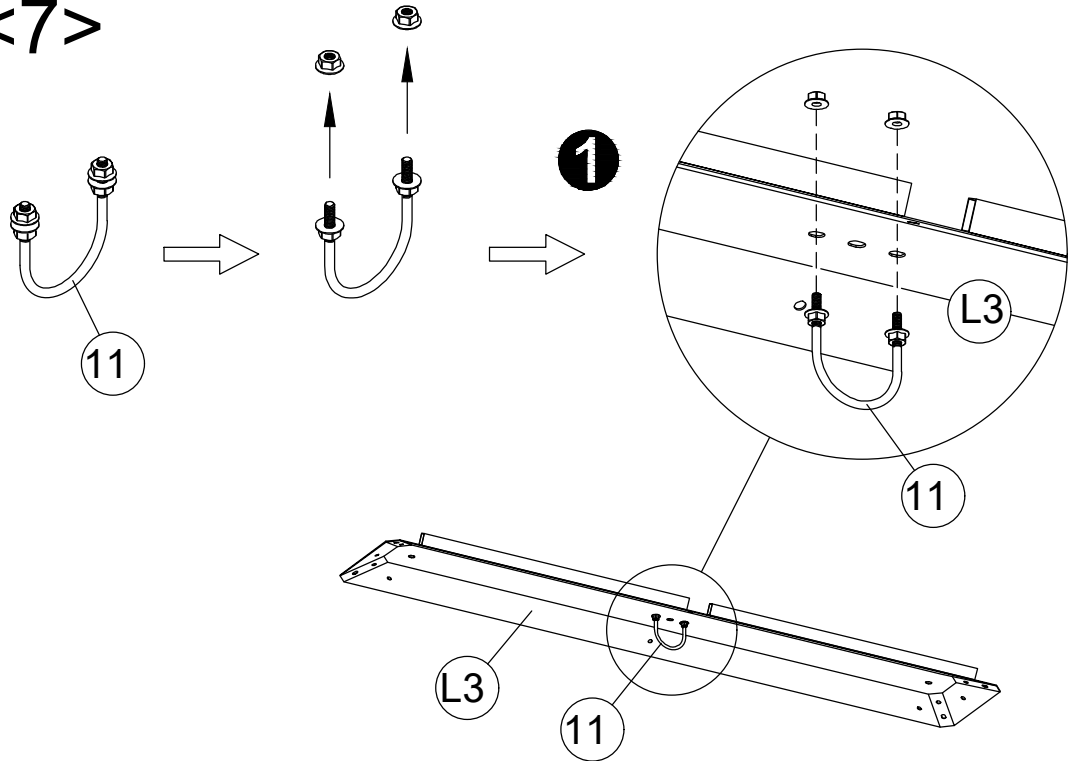


1 16x

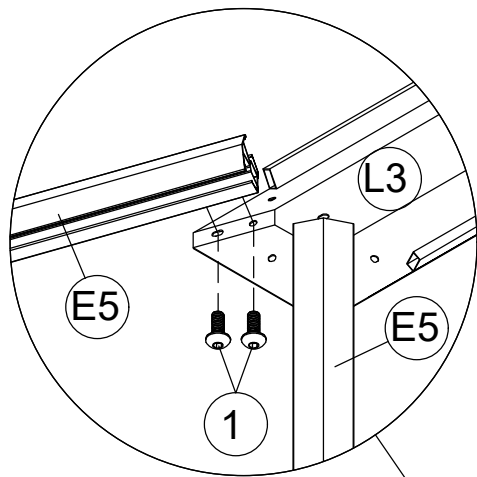


11 1x

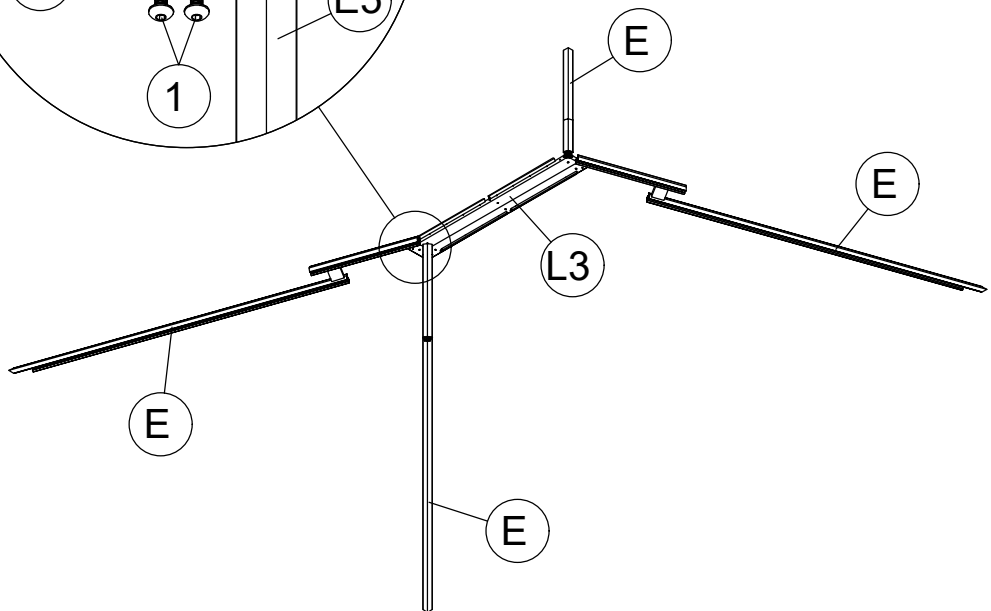
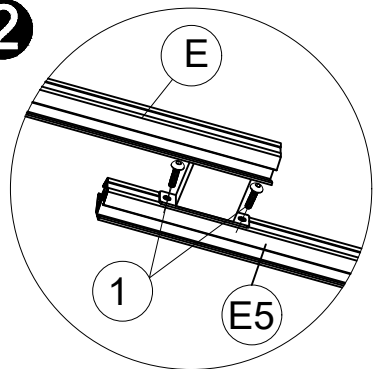
<7>



3



2

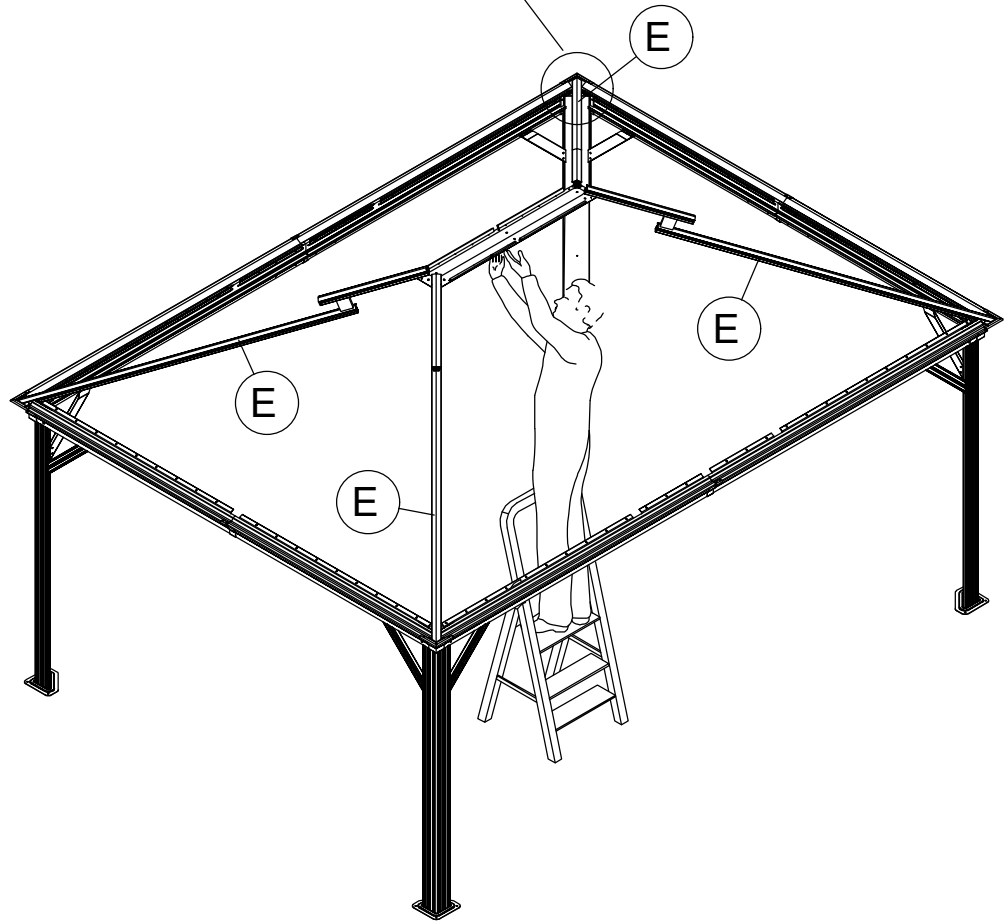
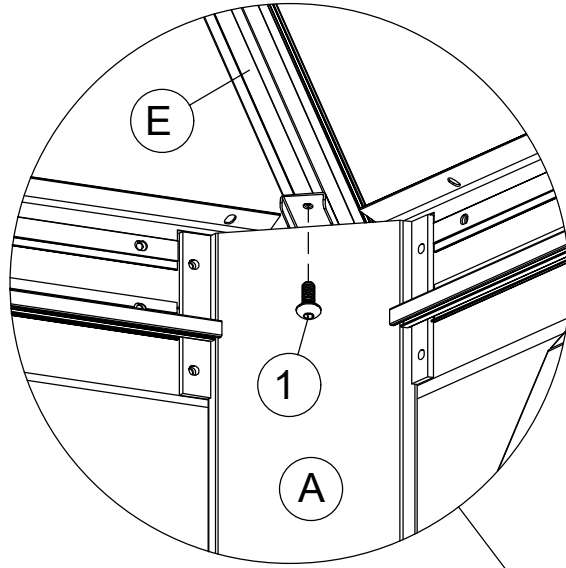




M6x15

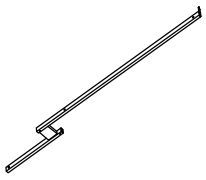
1 4x

<8>



Note:

1. Let one person stand on the ladder to lift "L3" and hold and let others fasten the screws connecting both ends of "E".
2. Please do not let go of holding "L3" until all the "E" screws are installed.



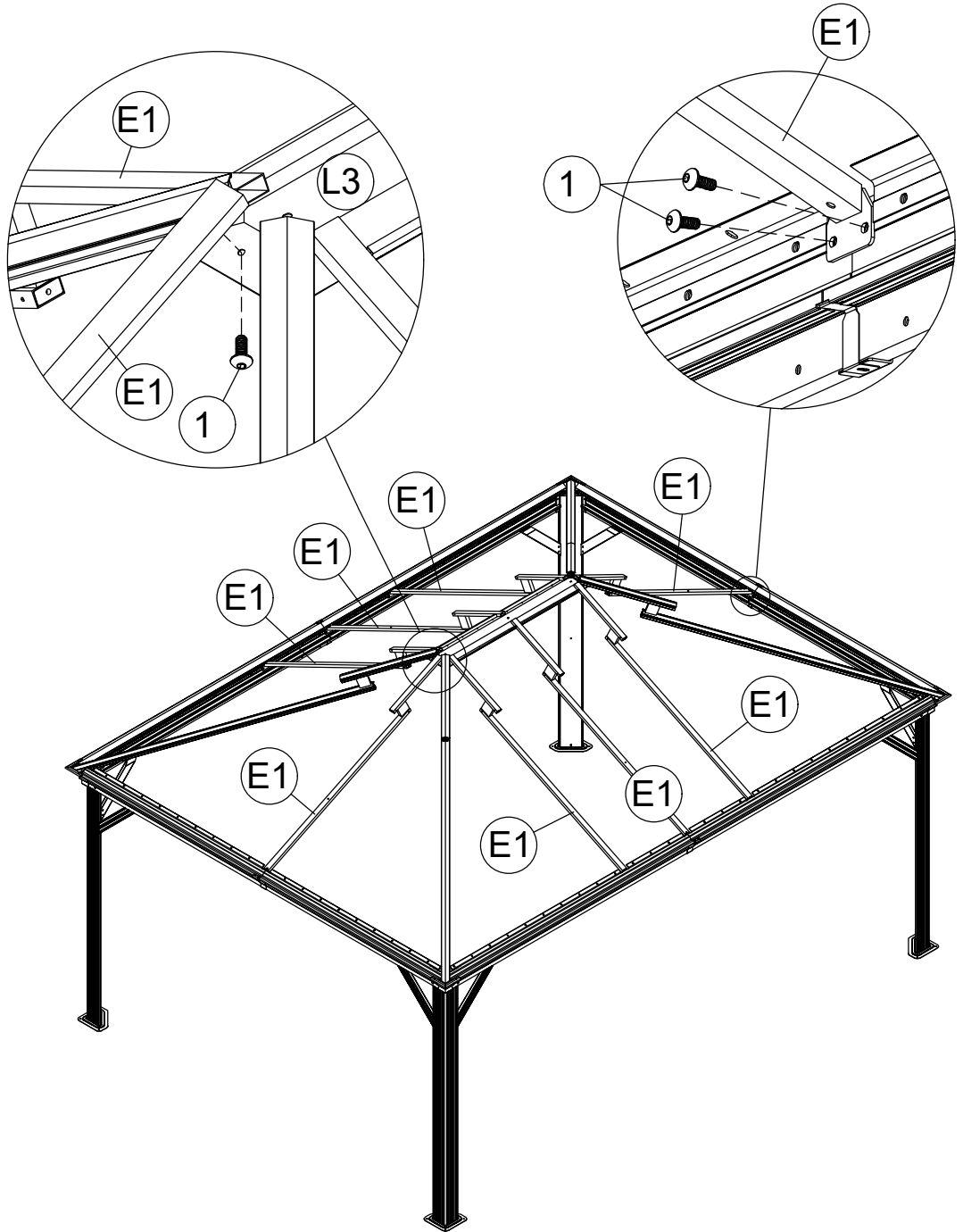
E1 8x

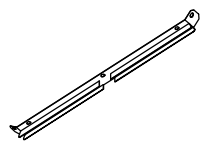


M6x15

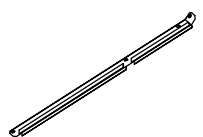
1 24x

<9>

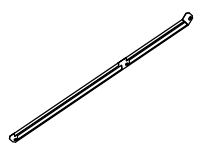




I1 2x



I3 2x



I4 2x



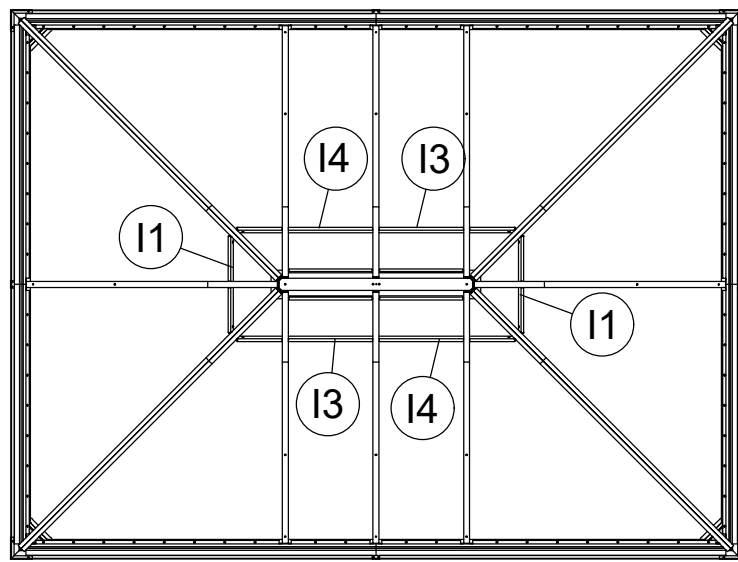
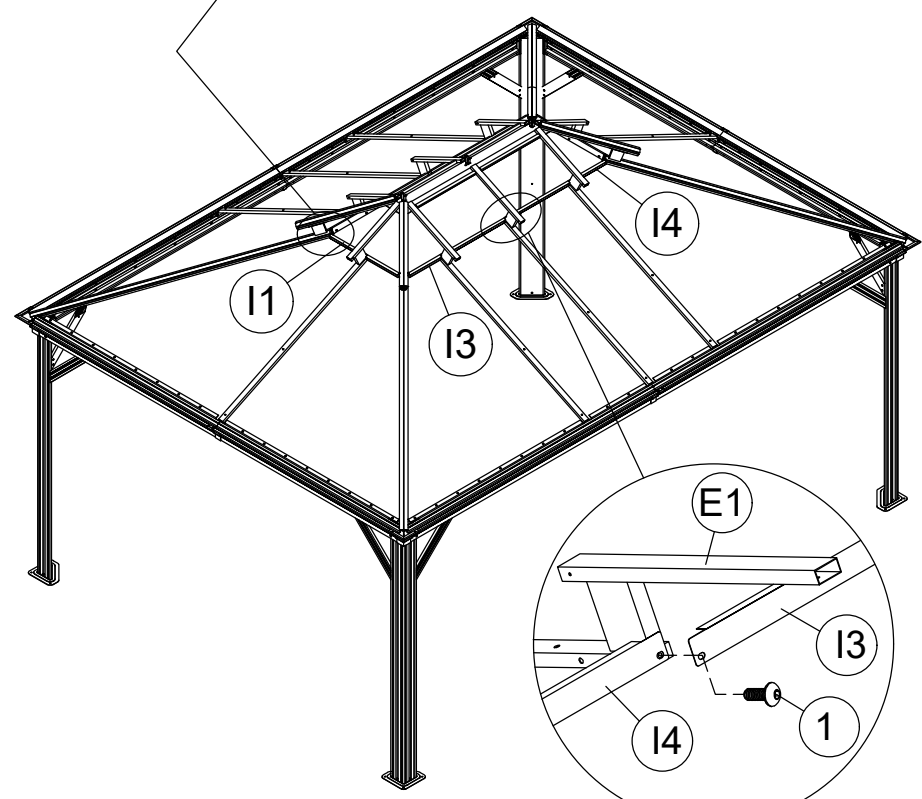
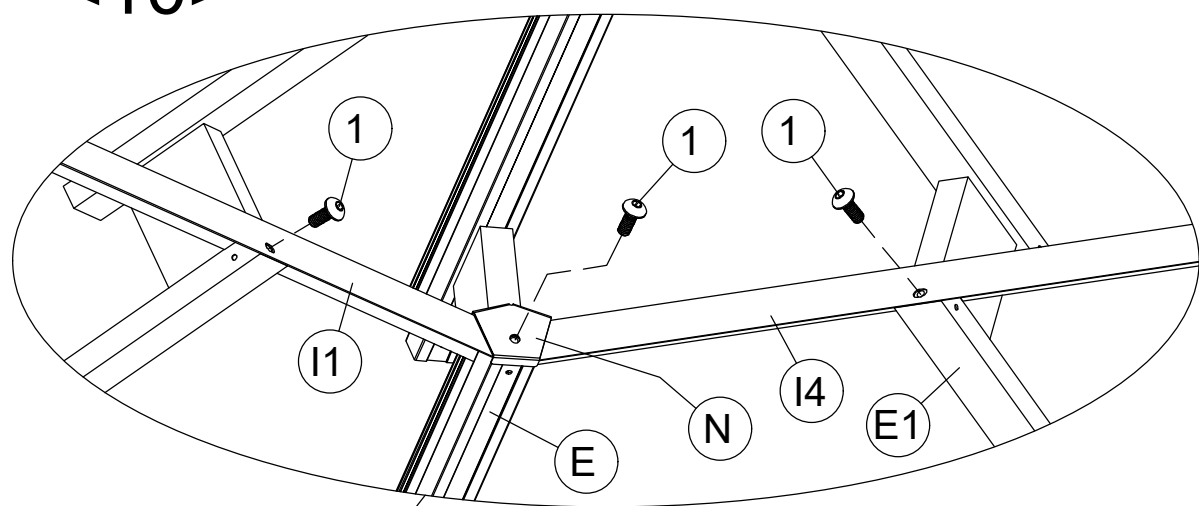
N 4x



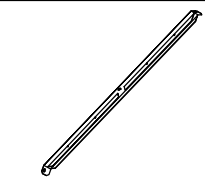
M6x15

1 12x

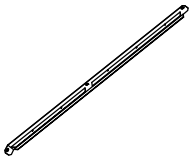
<10>



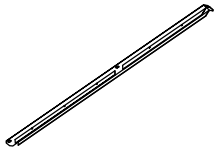
<11>



G1 2x



G3 2x



G4 2x



N 4x

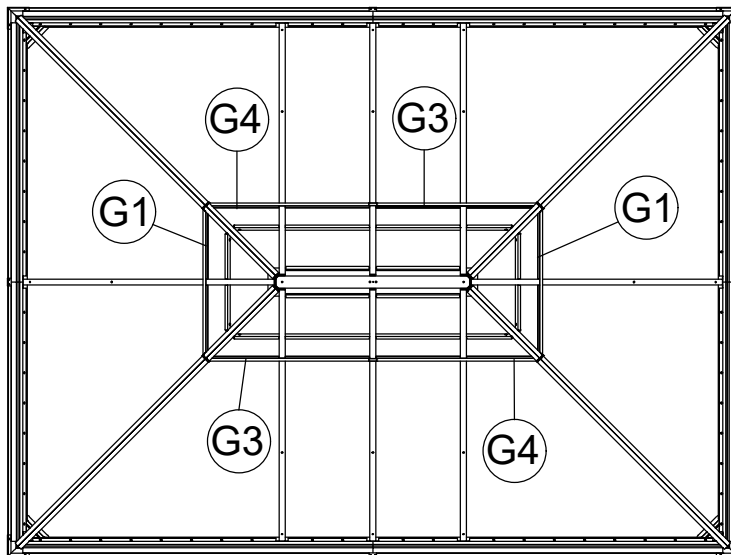
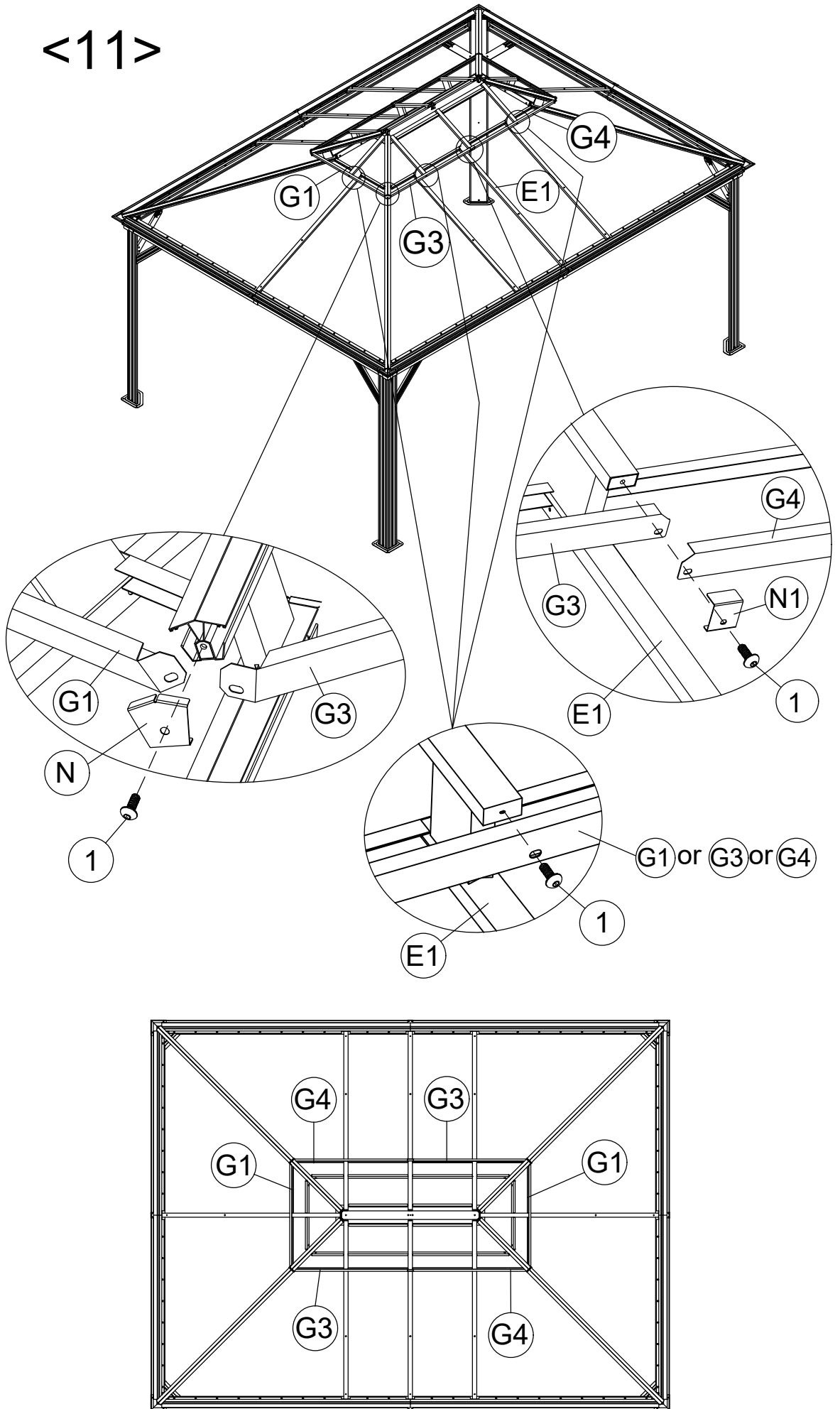


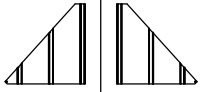
N1 2x



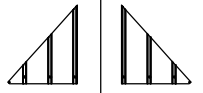
M6x15

1 12x

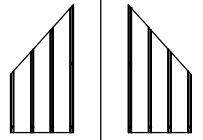




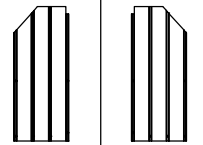
(S1) 2x (S2) 2x



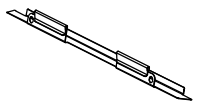
(R1) 2x (R2) 2x



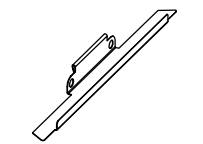
(R3) 2x (R4) 2x



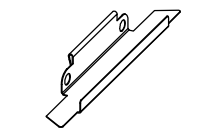
(R5) 2x (R6) 2x



(Z) 32x

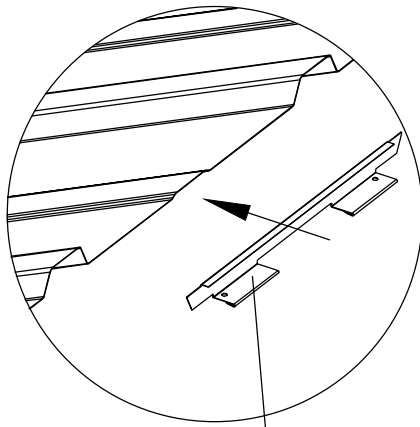


(Z1) 4x

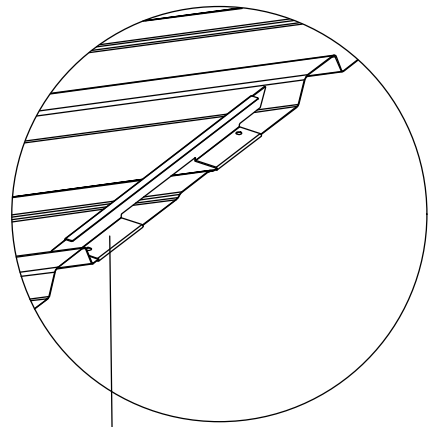


(Z2) 4x

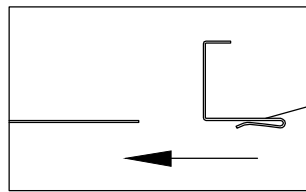
<12>



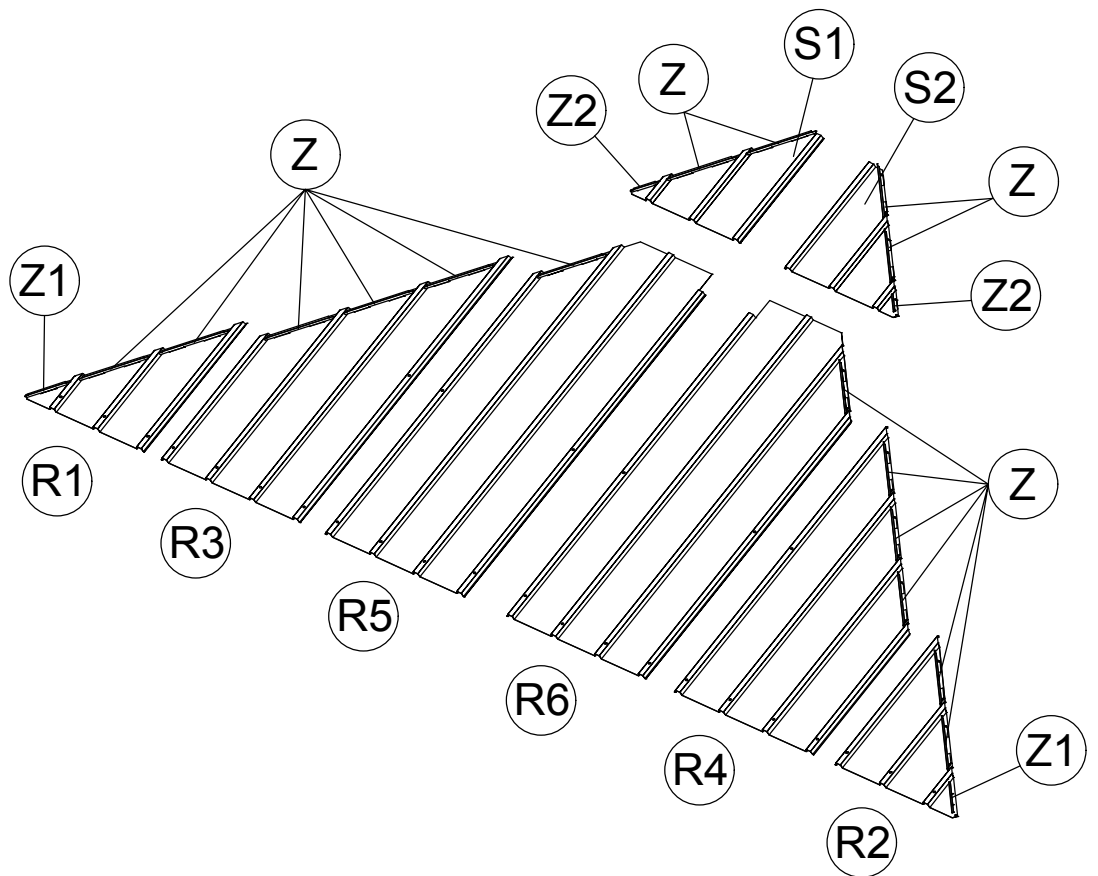
(Z) or (Z1) or (Z2)

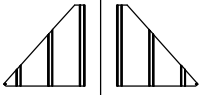


(Z) or (Z1) or (Z2)

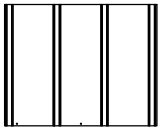


(Z) or (Z1) or (Z2)

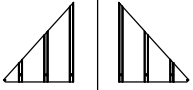




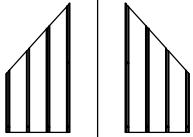
S1 2x S2 2x



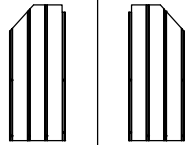
S3 4x



R1 2x R2 2x



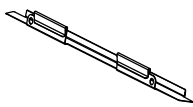
R3 2x R4 2x



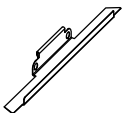
R5 2x R6 2x



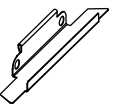
R7 4x



Z 32x



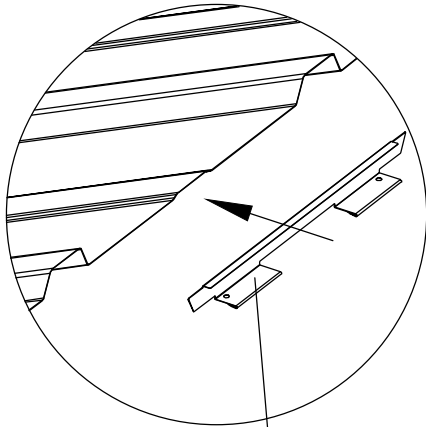
Z1 4x



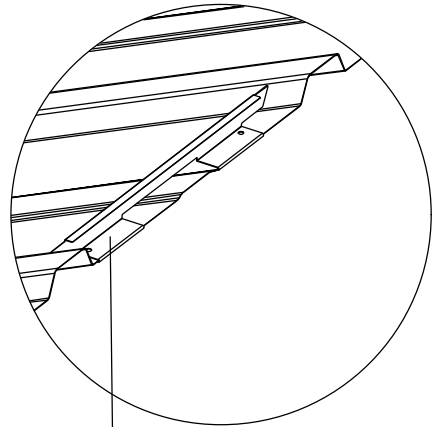
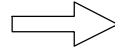
Z2 4x

17

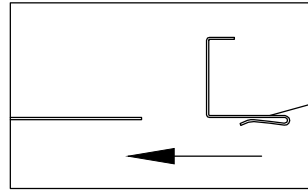
<13>



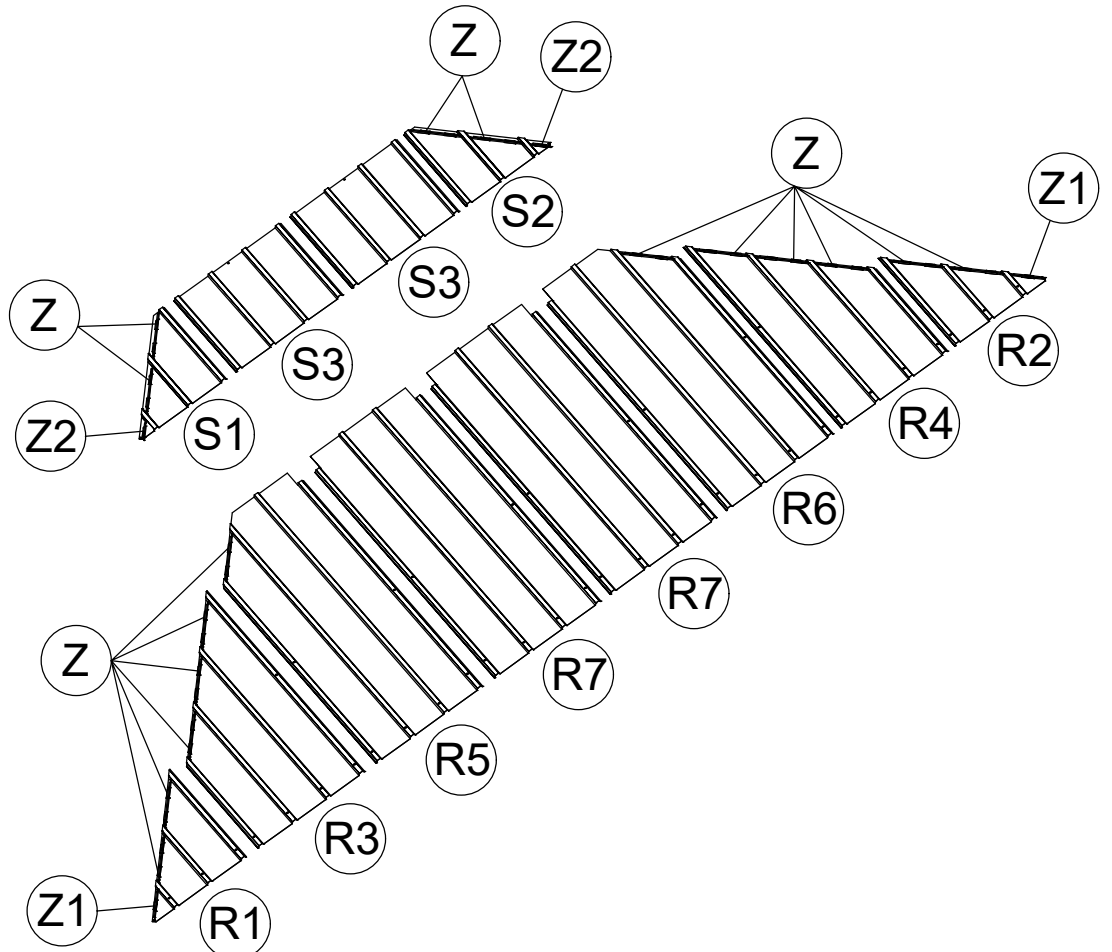
Z or Z1 or Z2



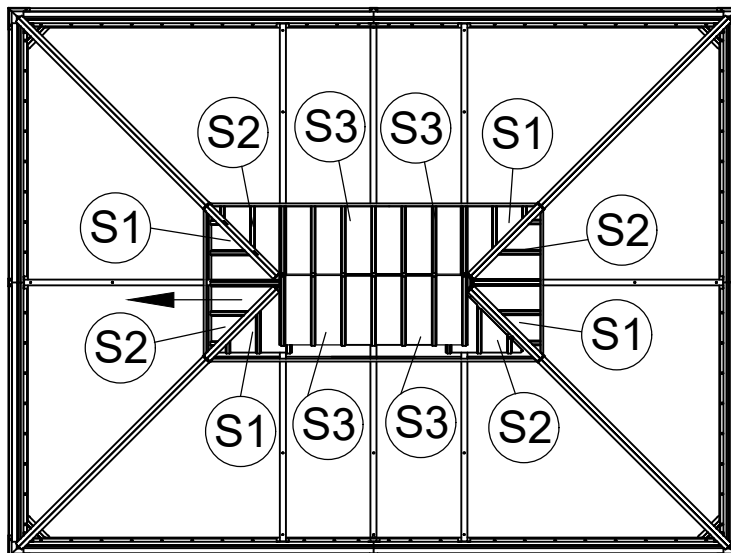
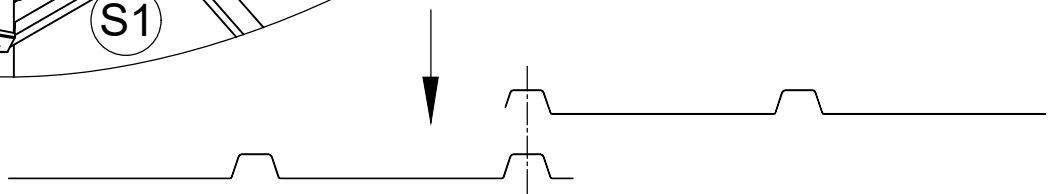
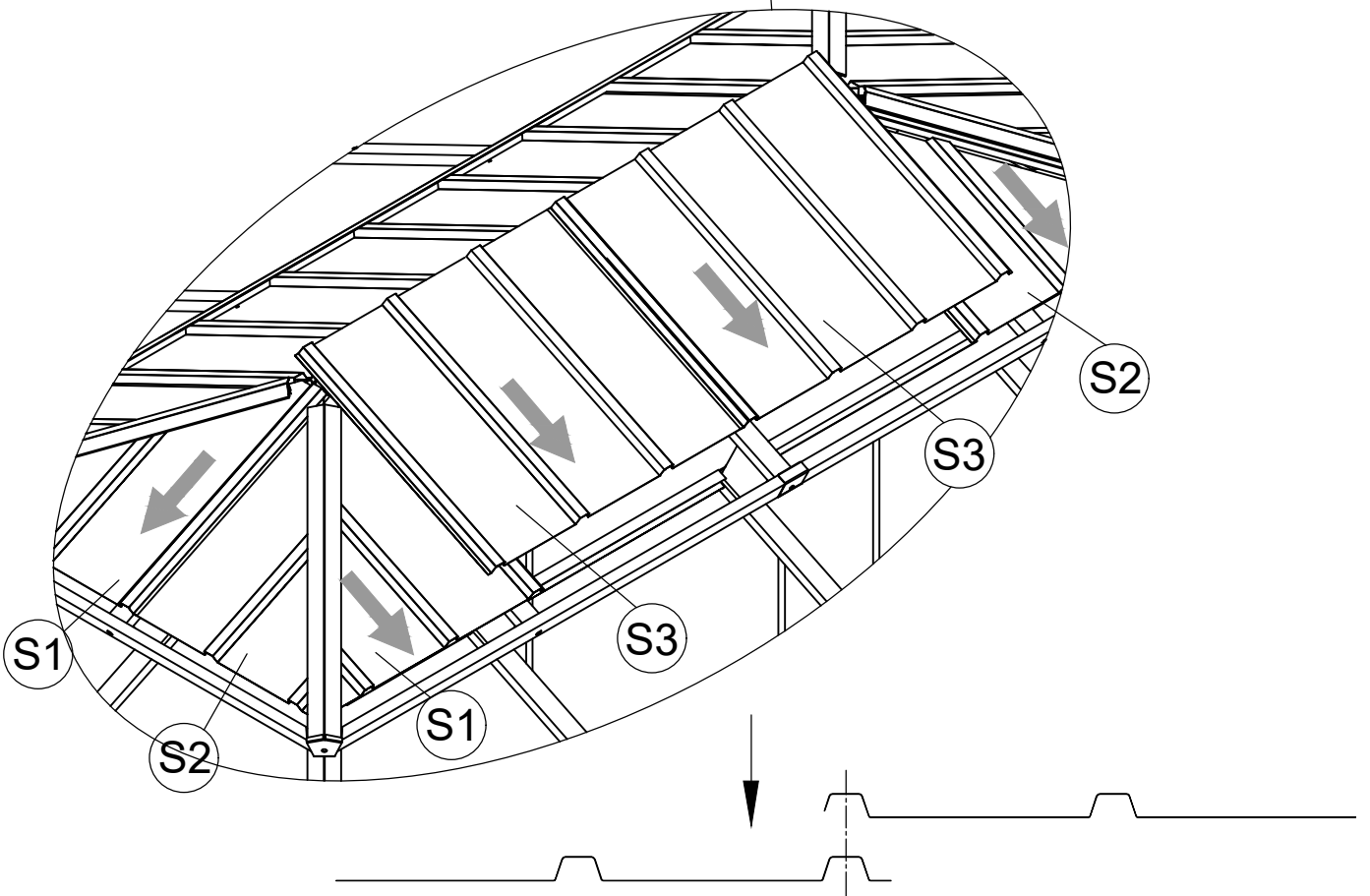
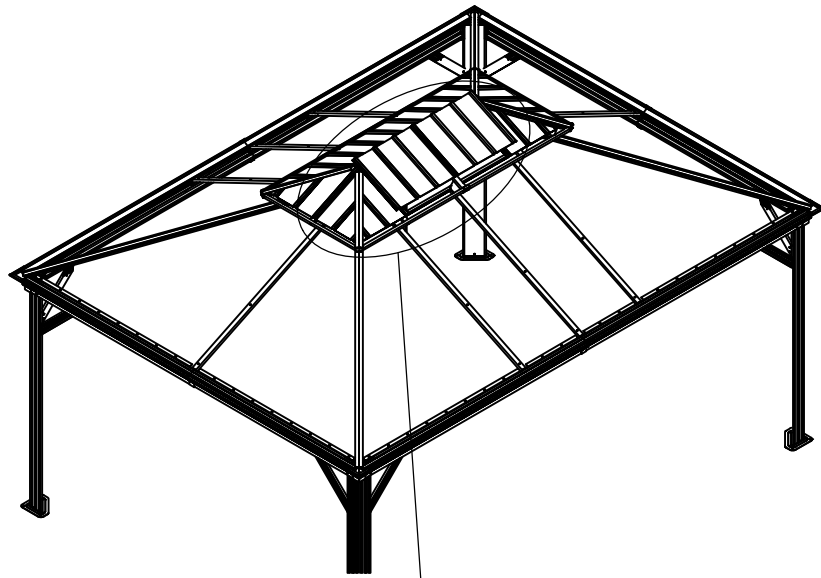
Z or Z1 or Z2

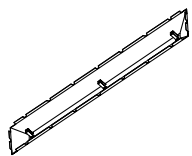


Z or Z1 or Z2



<14>





M3b 1x



5 2x



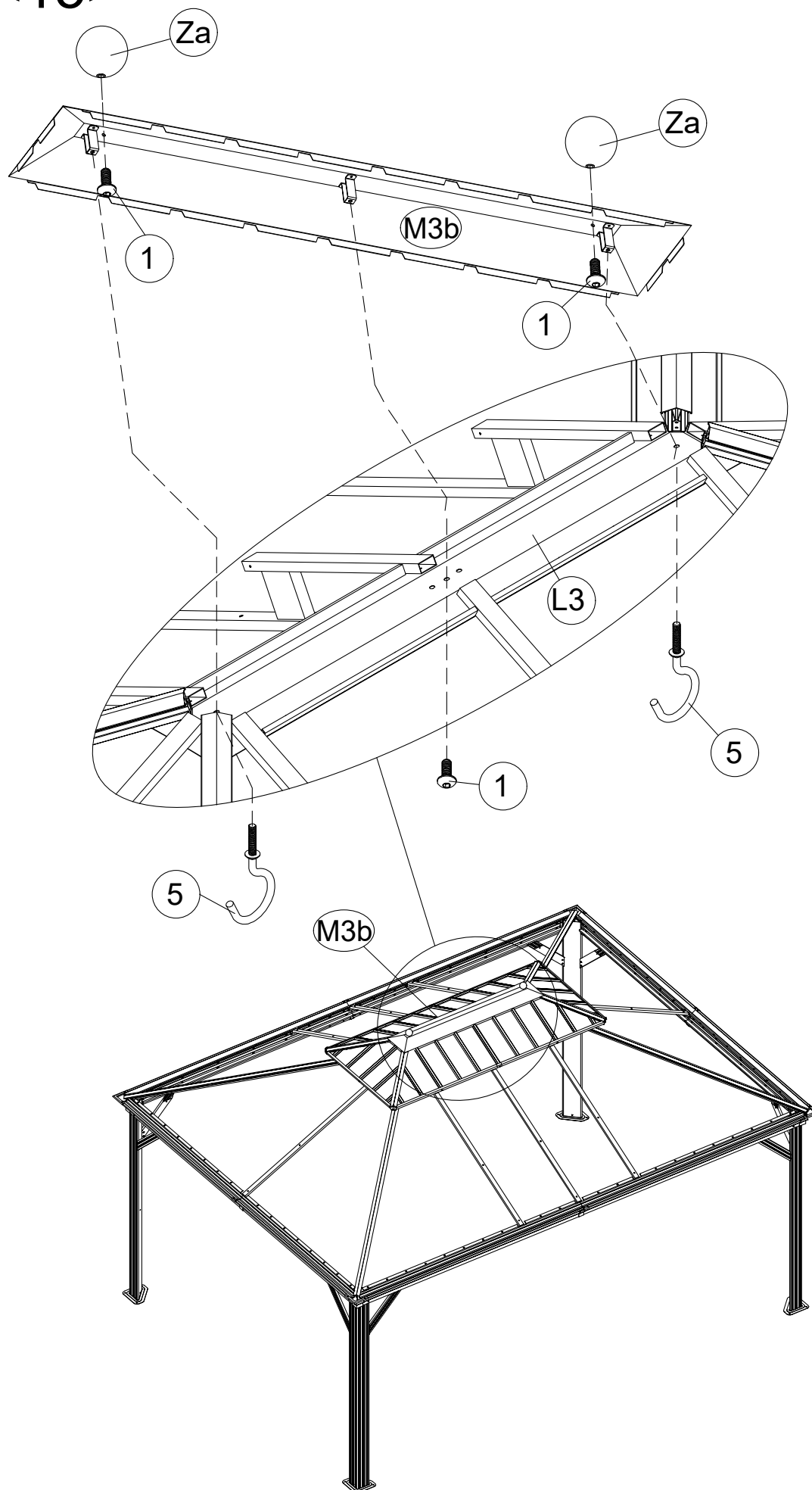
M6x15

1 3x



Za 2x

<15>



<16>

F1 8x

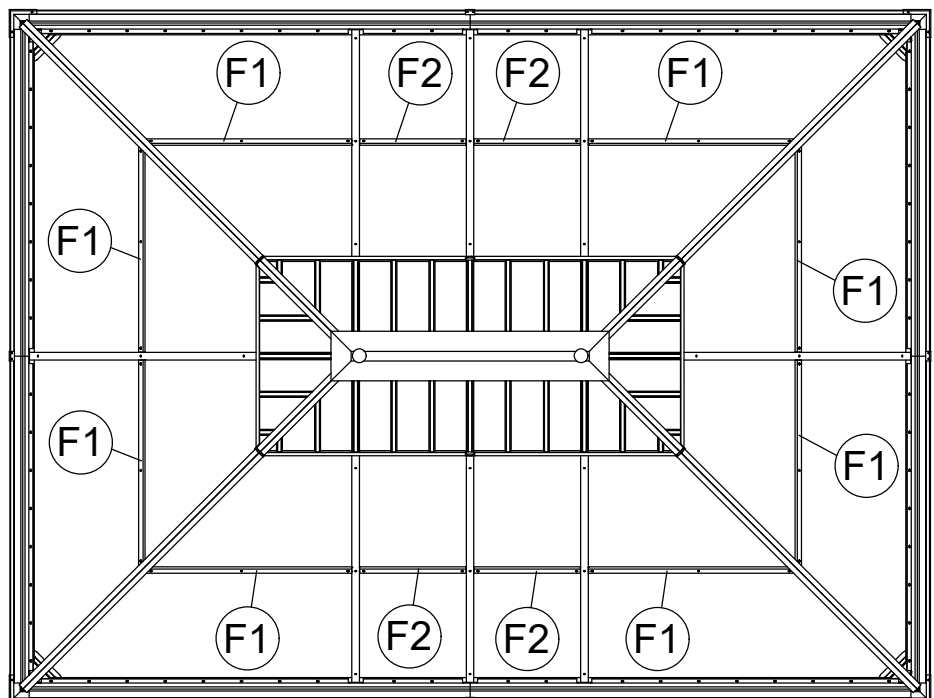
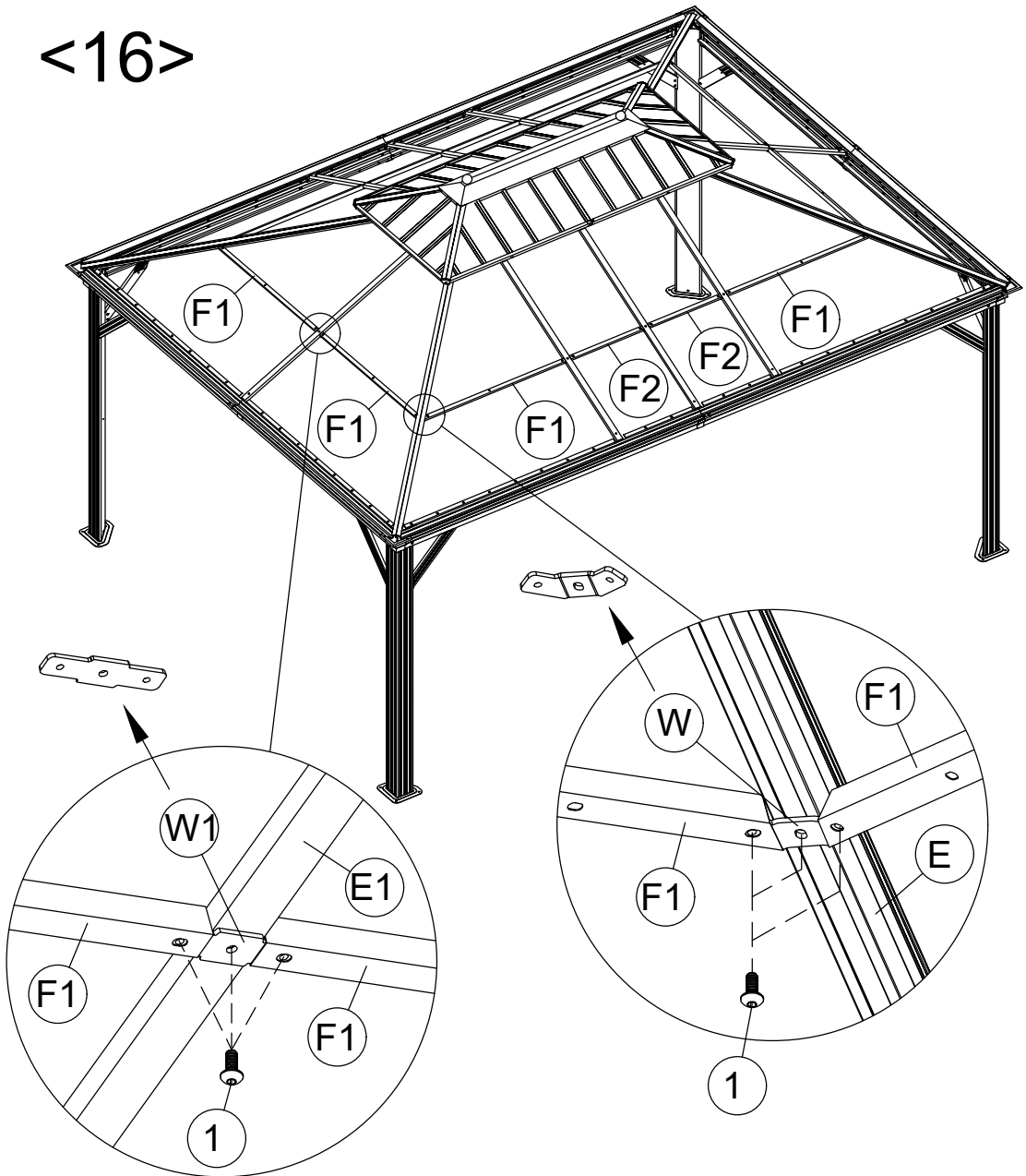
F2 4x

W 4x

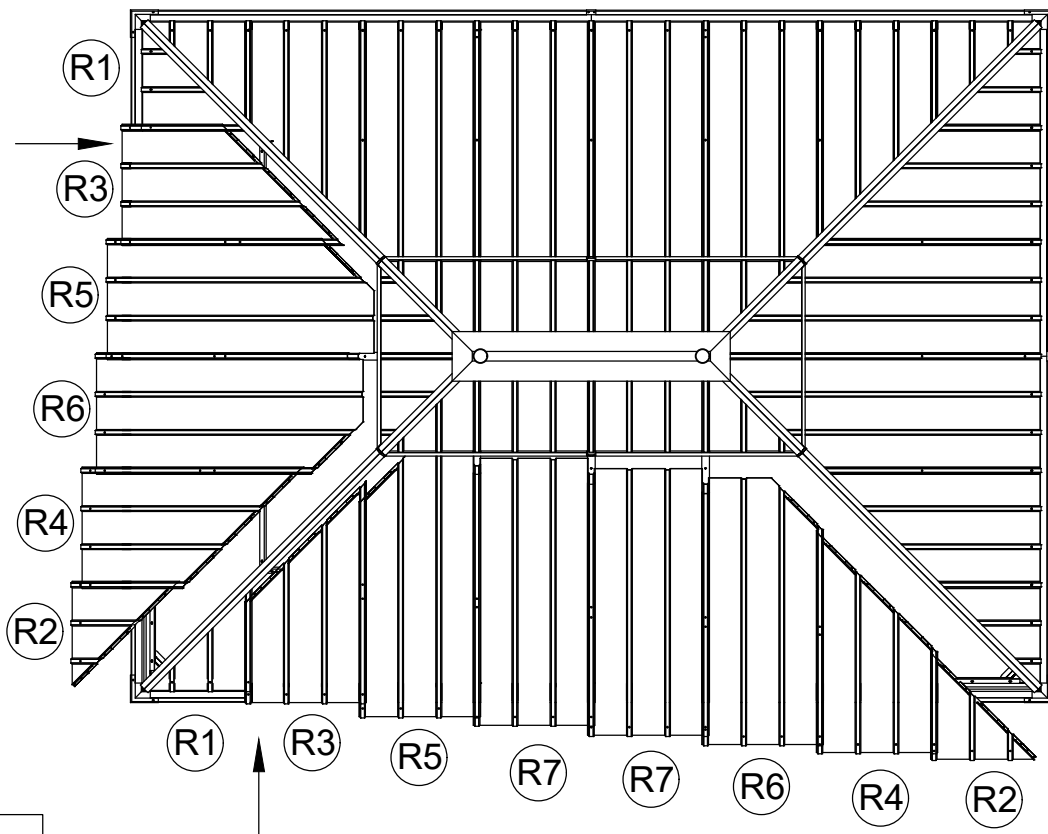
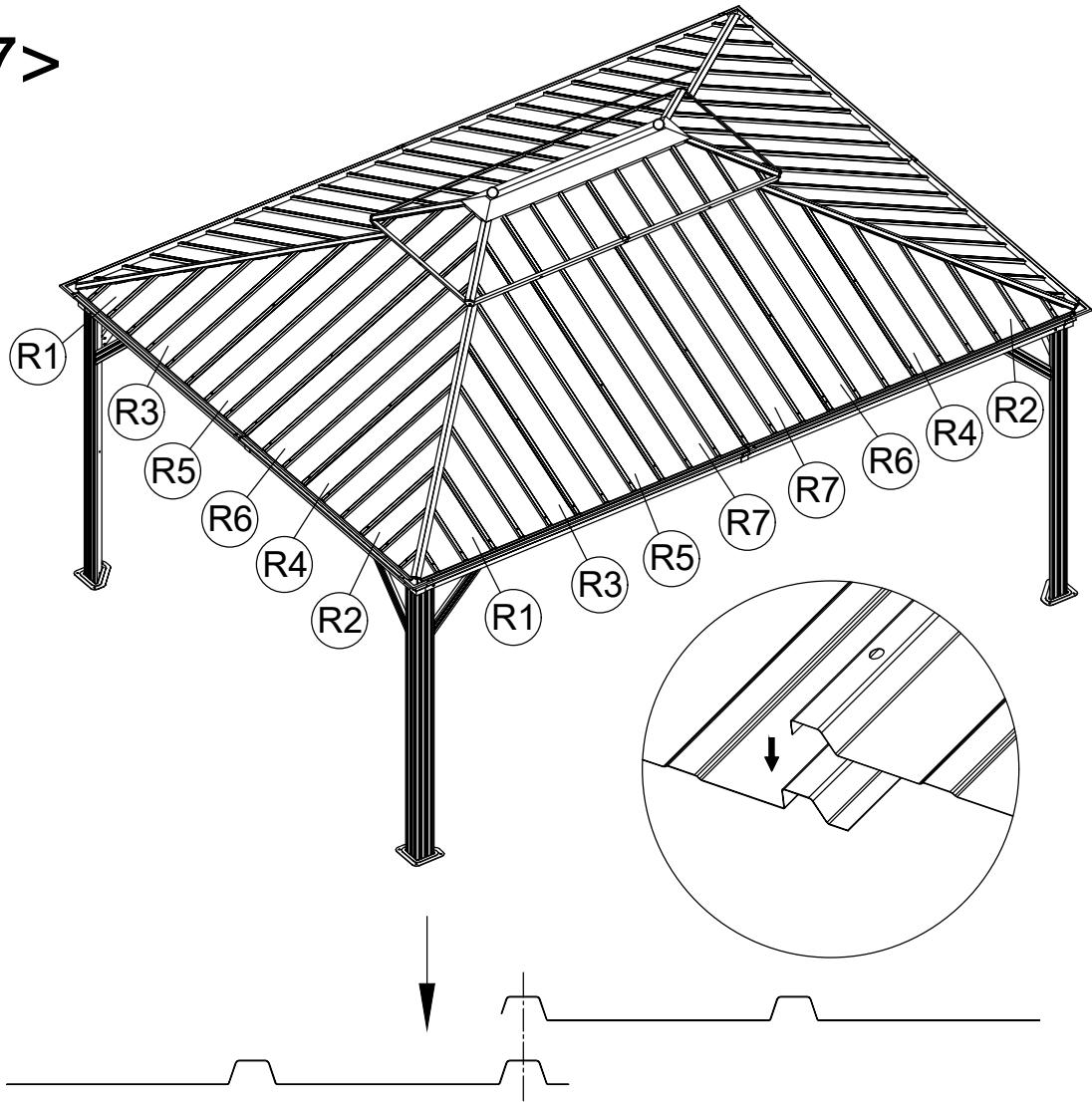
W1 8x

M6x15

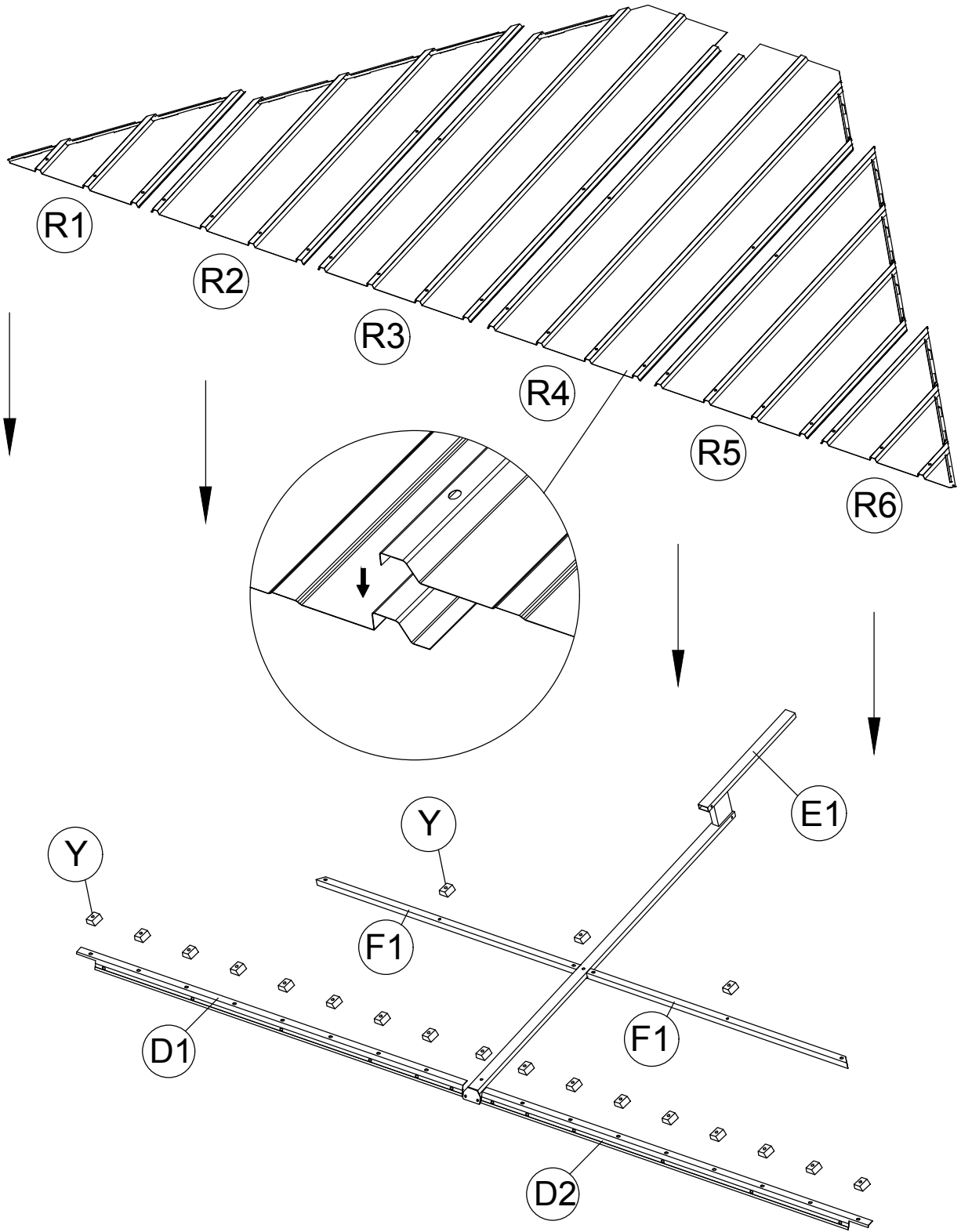
1 36x



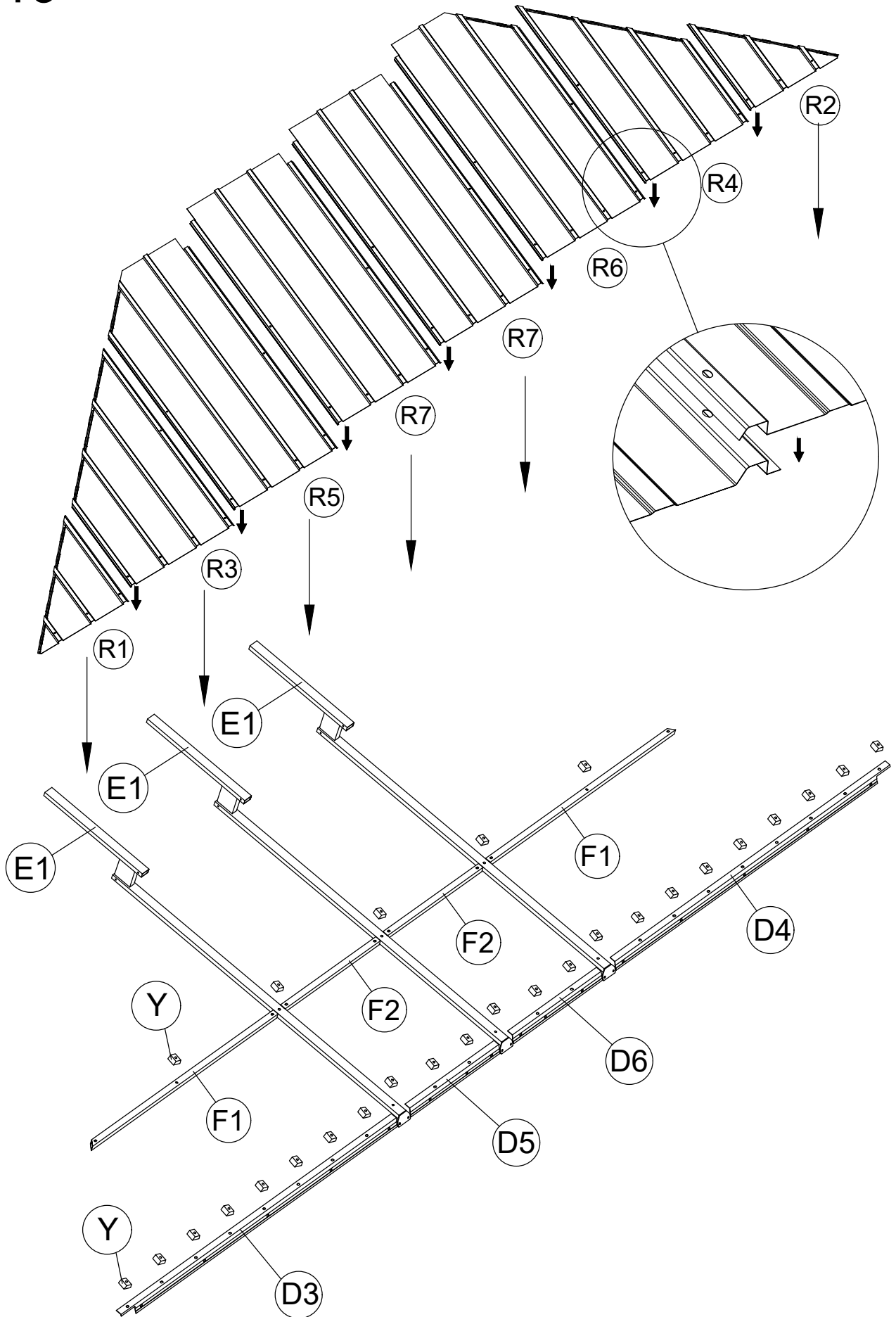
<17>



<18>



<19>





<20>

Y 96x



M6x23

2 72x



M6x25

3 8x



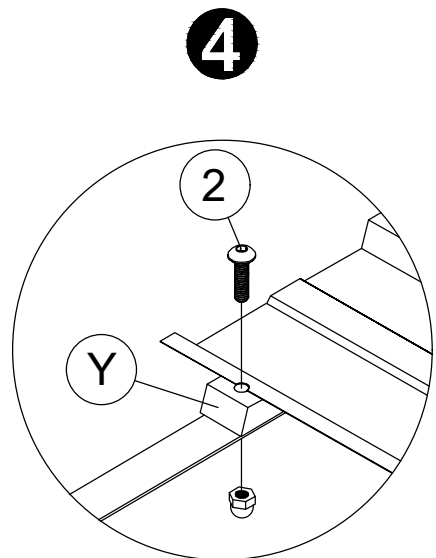
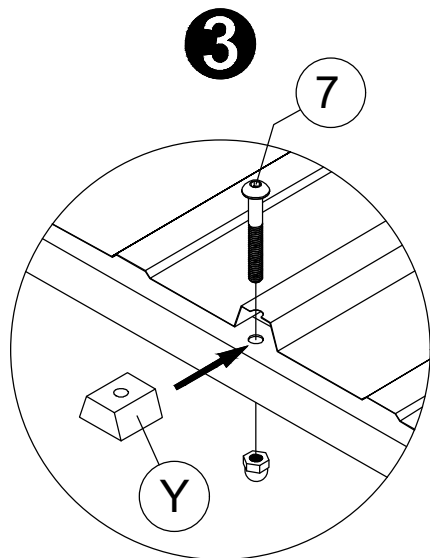
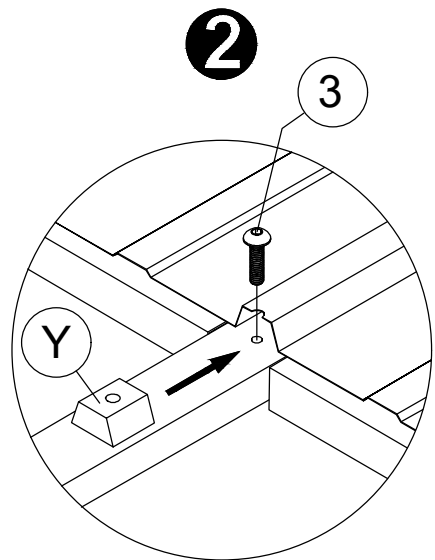
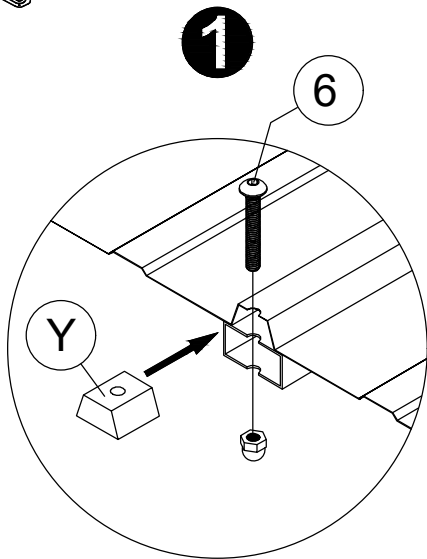
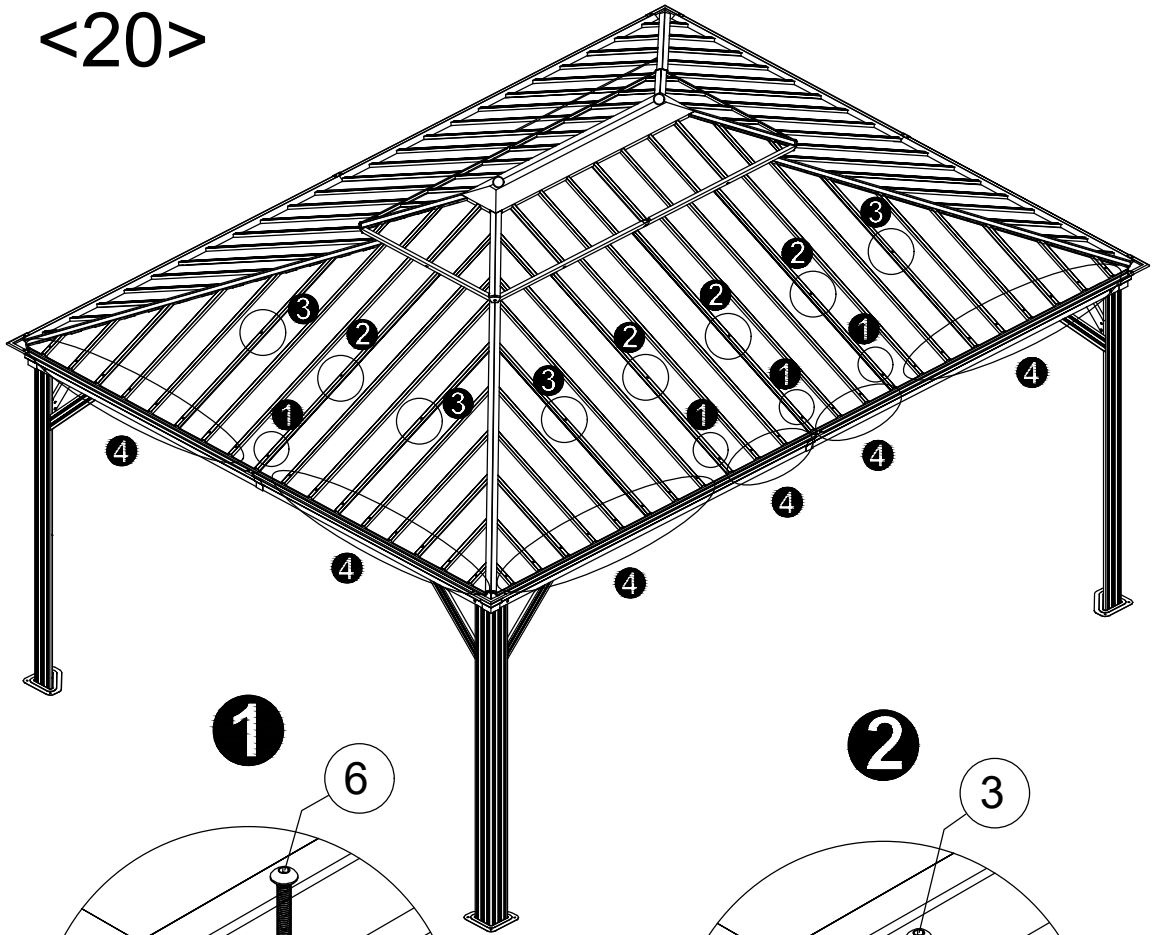
M6x42

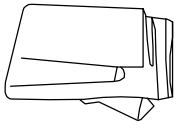
6 8x



M6x47

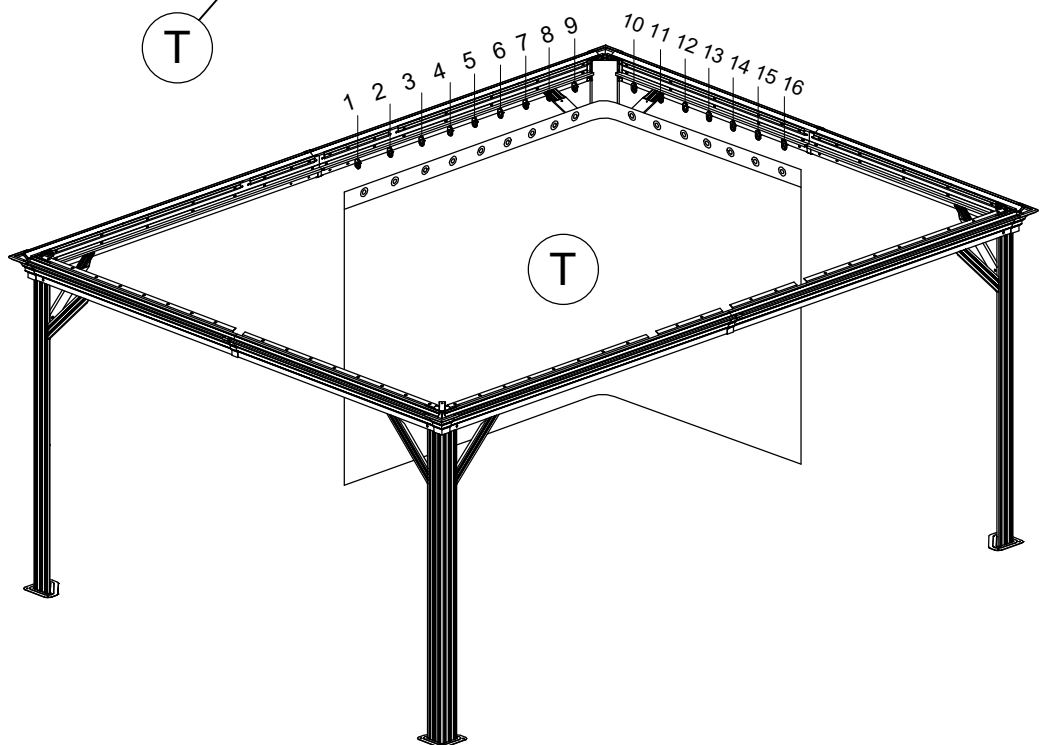
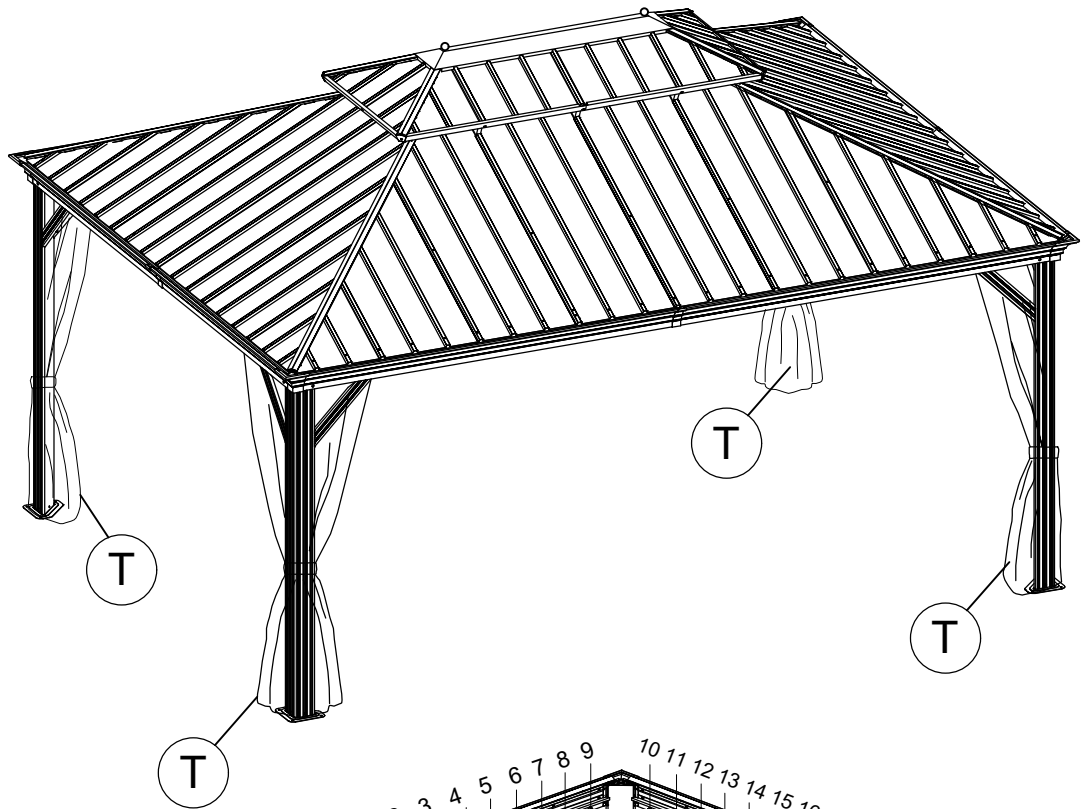
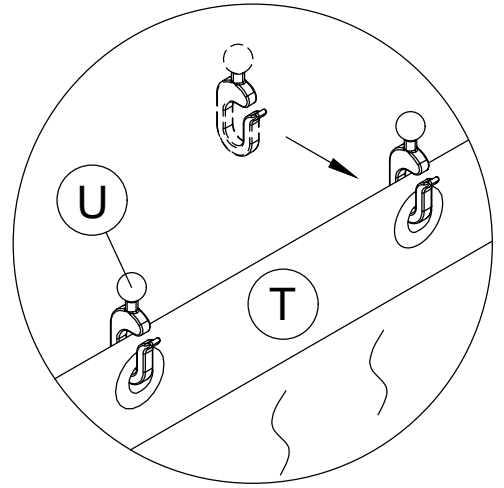
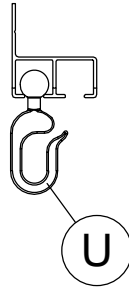
7 8x

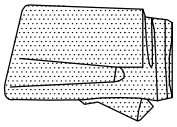




<21>

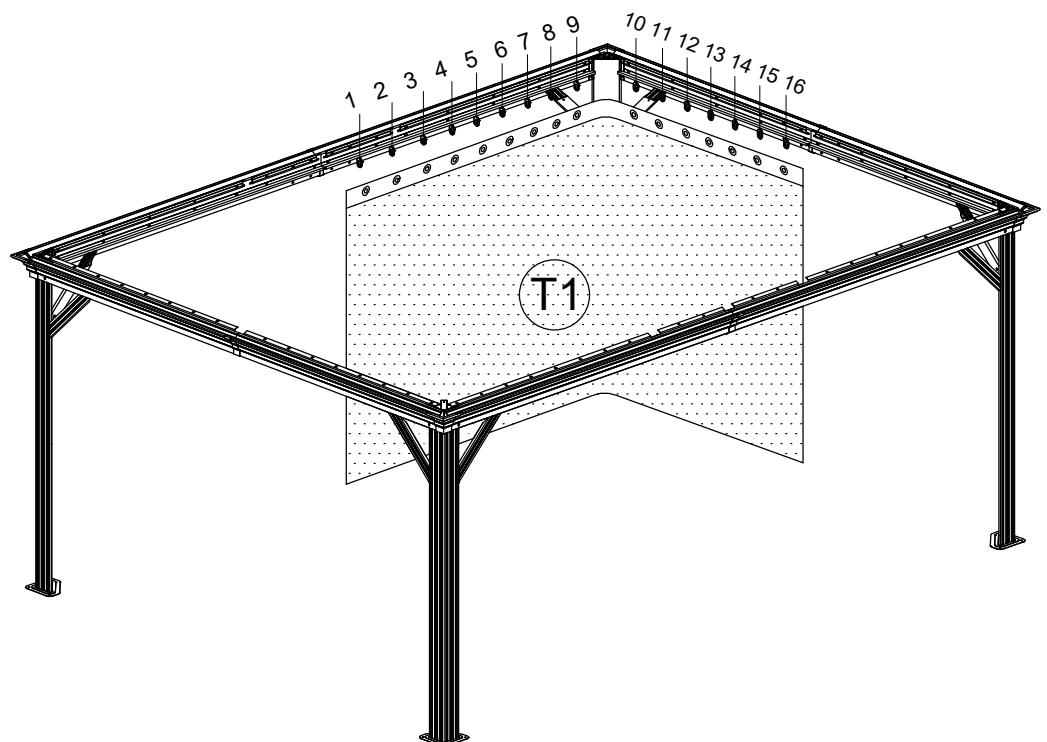
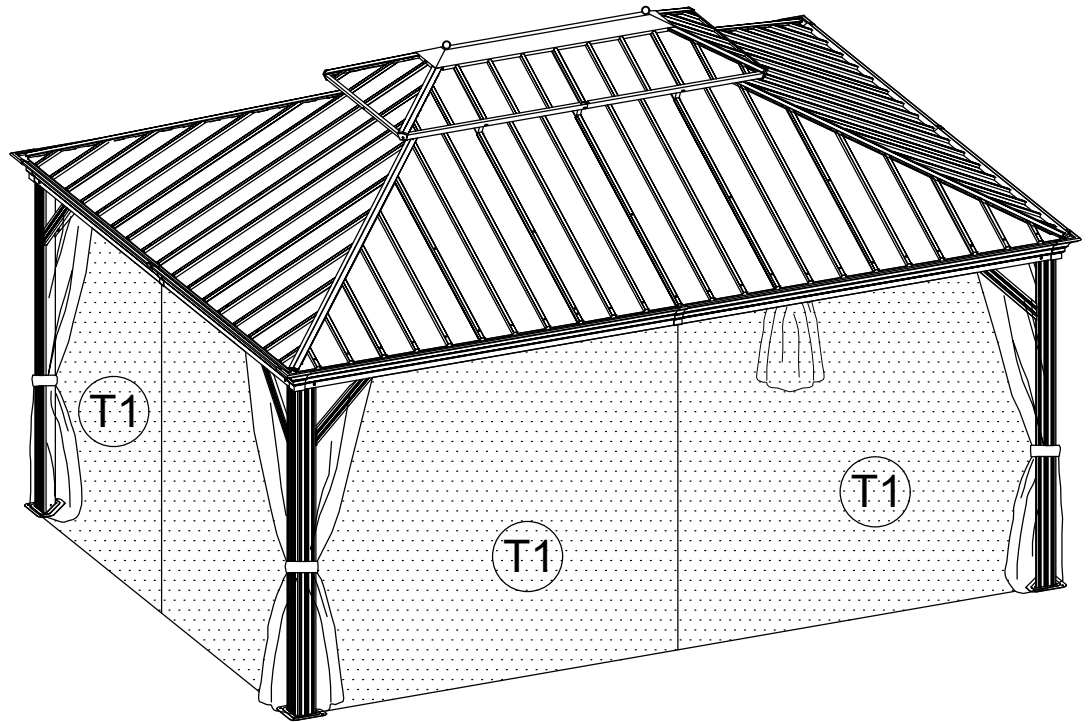
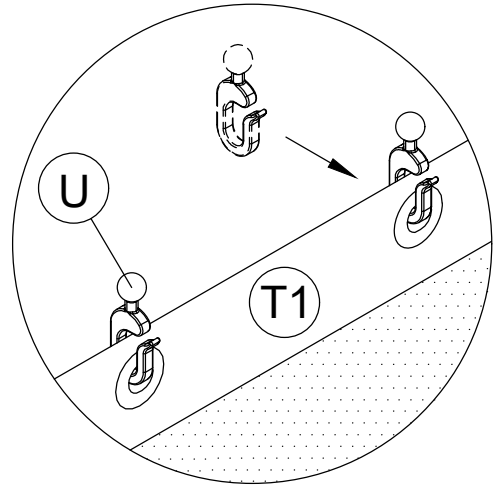
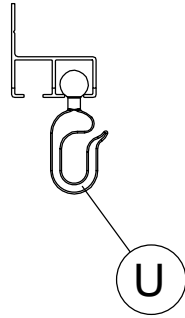
T 4x

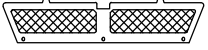




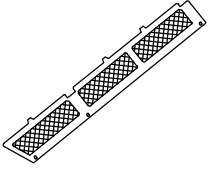
<22>

T1 4x

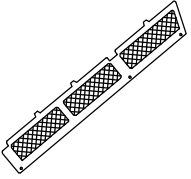




V1 2x



V3a 2x



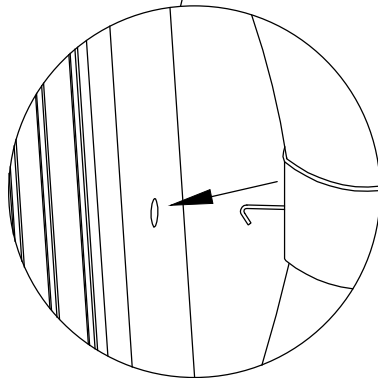
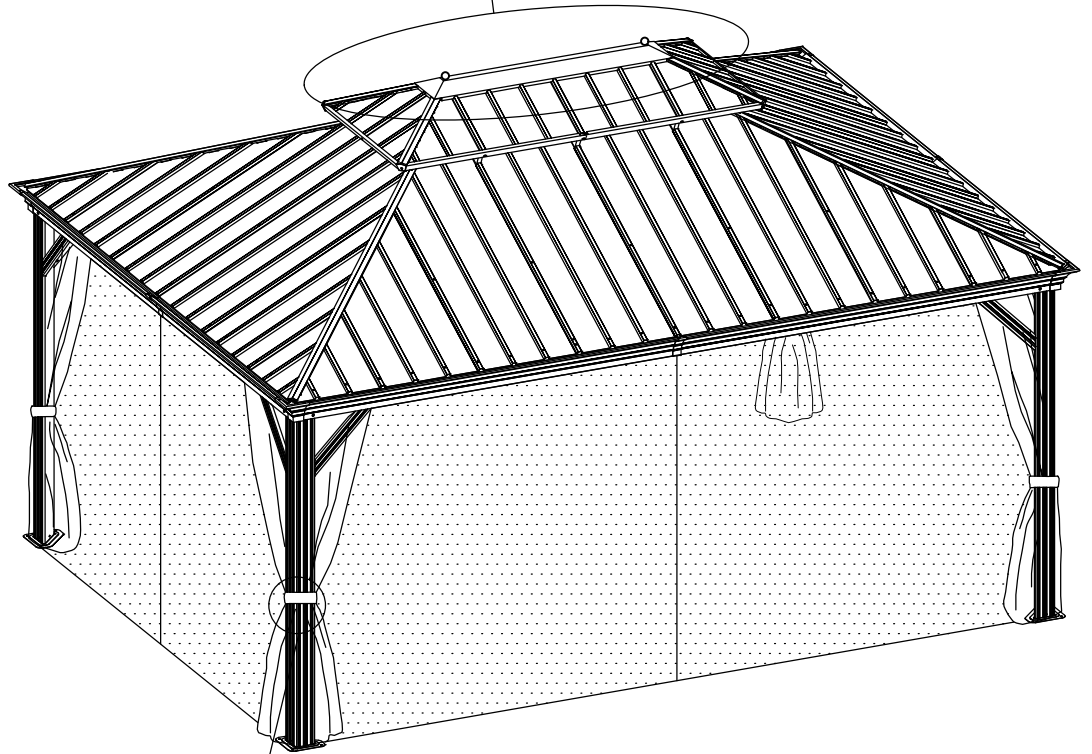
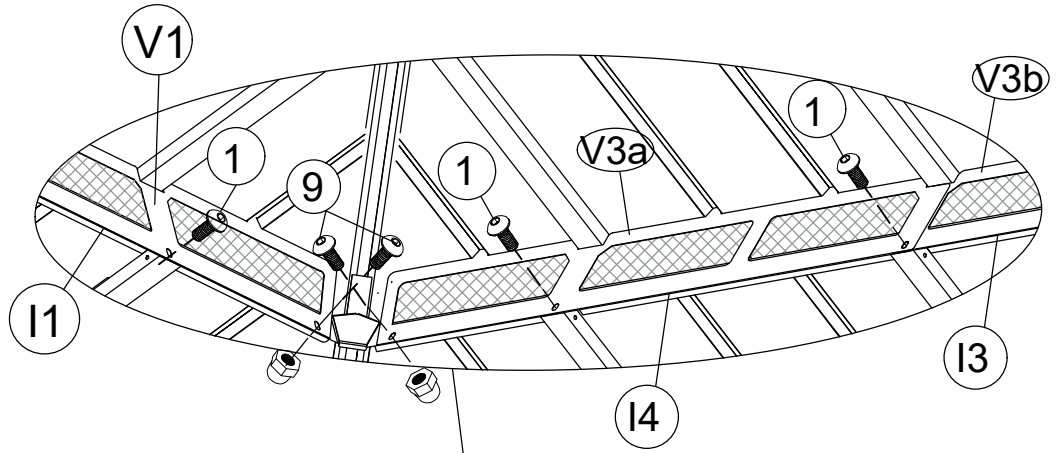
V3b 2x



M6x10

9 8x

<23>



Carton-1/6		Carton-3/6		Carton-4/6	
Part	Qty	Part	Qty	Part	Qty
A	4	C5	2	F2	4
		C6	2	H	4
		E	4	H1	4
		E5	4	L3	1
Carton-2/6		E1	8	M3b	1
Part	Qty	G1	2	T	4
B1	2	G3	2	T1	4
B2	2	G4	2	1.2.3.4.5.6.7.8. 9.10.11.12.13.14	1
B5	2	I1	2		
B6	2	I3	2		
K	4	I4	2		
K1	4	J	4		
W	4	Z	64	Carton-5/6	
W1	8	Z1	8	Part	Qty
P	4	Z2	8	R3	4
V	4			R4	4
Y	96			R5	4
U	128			R6	4
N	8			R7	4
N1	2	Carton-4/6			
V1	2	Part	Qty		
V3a	2	C1	2		
V3b	2	C2	2	Carton-6/6	
Za	2	D1	2	Part	Qty
		D2	2	R1	4
		D3	2	R2	4
		D4	2	S1	4
		D5	2	S2	4
		D6	2	S3	4
		F1	8		