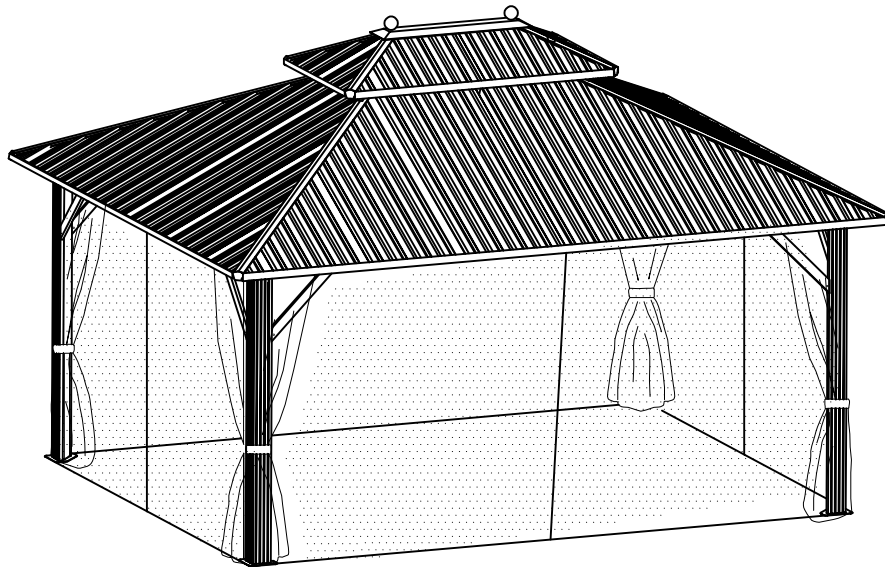


10 x 13 FT

□ □ □ □ □ □ □ HWG20-036JS □ □ □ □ □ □ □



At least need 3 people work together

REQUIRED TOOLS





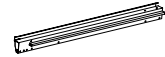
A 4x



B 2x



B1 2x



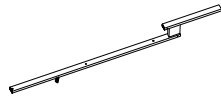
B2 2x



B3 2x



E 4x



E1 4x



F1 4x



F2 4x



G1 2x



G2 2x



G3 2x



G4 2x



G5 2x



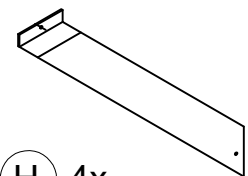
G6 2x



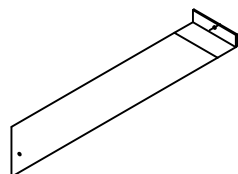
G7 2x



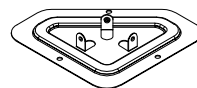
G8 2x



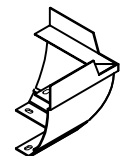
H 4x



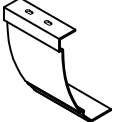
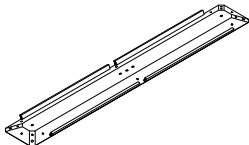
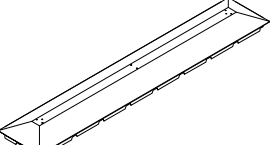


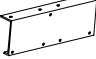
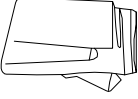
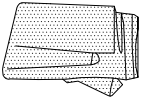
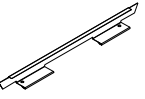


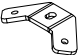
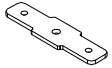
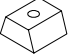


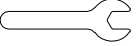
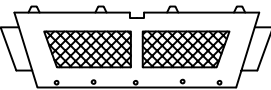
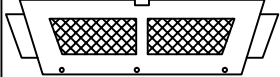
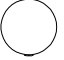









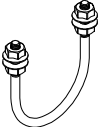


H1 4x


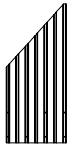
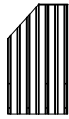
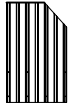
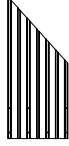


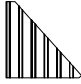


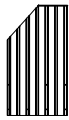
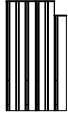
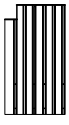
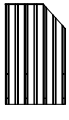
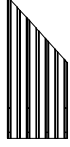

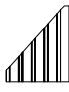
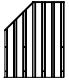

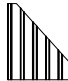


J 4x



K 4x

 (K1) 4x	 (L) 1x	 (M) 1x	 (N) 12x
 (N1) 4x	 (P) 4x	 (T) 4x	 (T1) 4x
 (Z) 56x	 (Z1) 16x	 (U) 112x	 (W) 4x
 (W1) 4x	 (Y) 112x	 (13) 1x	 (14) 1x
 (15) 1x	 (V1) 2x	 (V2) 2x	 (Za) 2x
 (1) 146x M6x16	 (2) 68x M6x23	 (3) 9x M6x25	 (4) 16x ST 4.8x12
 (5) 12x M6x10	 (6) 4x M6x42	 (7) 28x M6x47	 (8) 16x
 (9) 12x	 (10) 1x	 (11) 2x	 (12) 4x M5x12

			
Q1 2x	Q2 2x	Q3 2x	Q4 2x
			
Q5 2x	Q6 2x	S 2x	Sa 2x
			
R1 2x	R2 2x	R3 2x	R4 2x
			
R5 2x	R6 2x	R7 2x	R8 2x
			
S1 2x	S2 2x	S3 2x	S4 2x

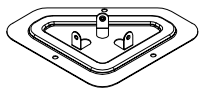


<1>

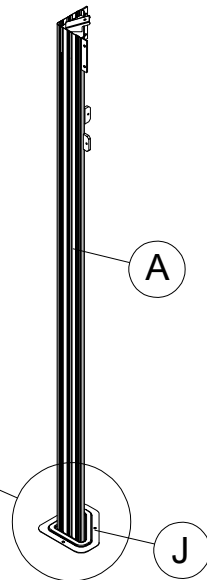
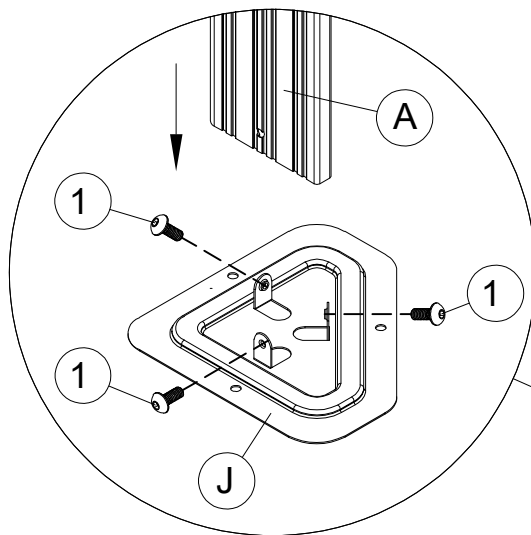
A 4x



1 12x M6x16

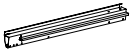


J 4x



5

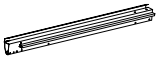
<2>



B 2x



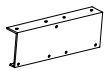
B1 2x



B2 2x



B3 2x

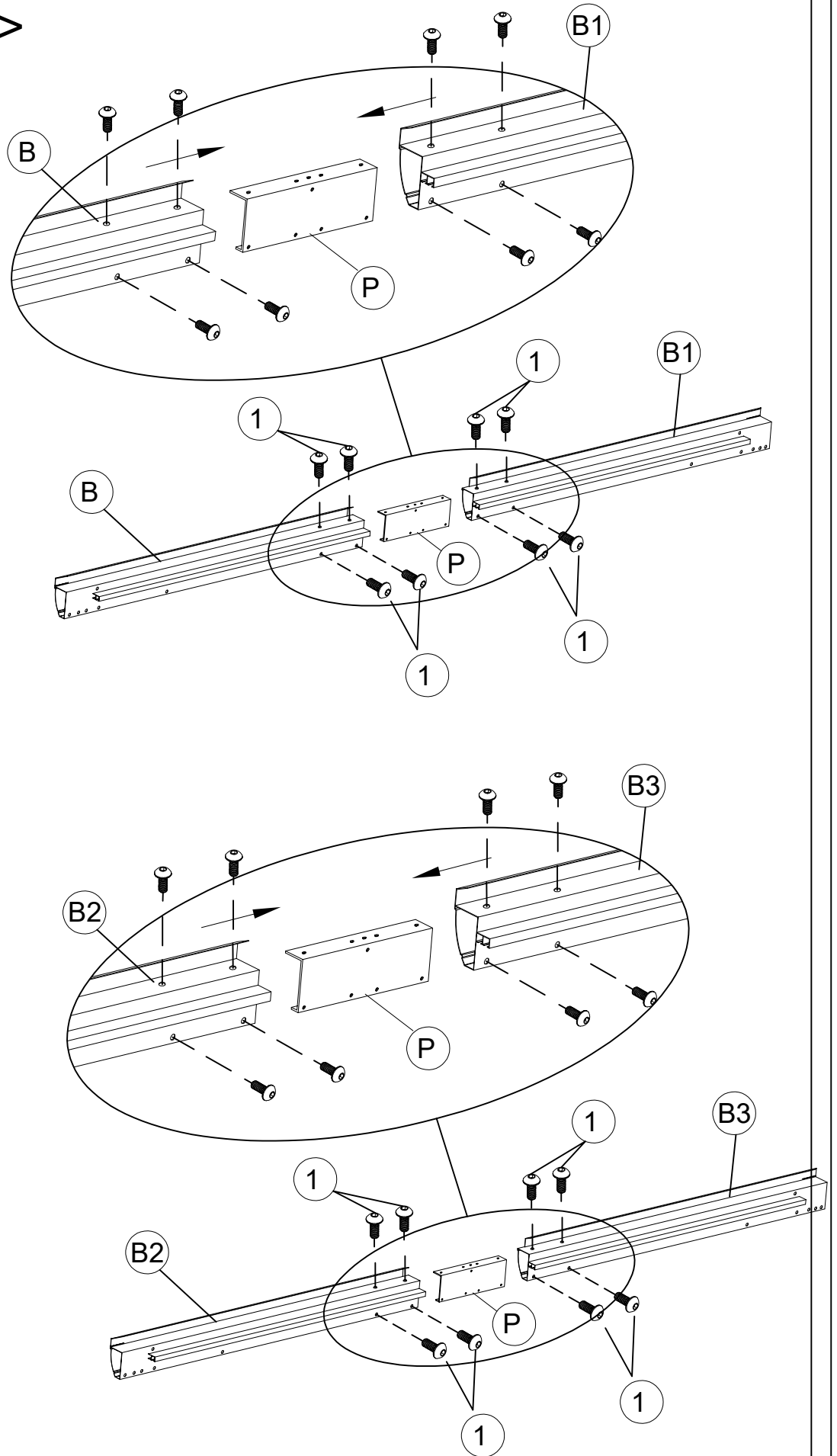


P 4x



1 32x M6x16

6



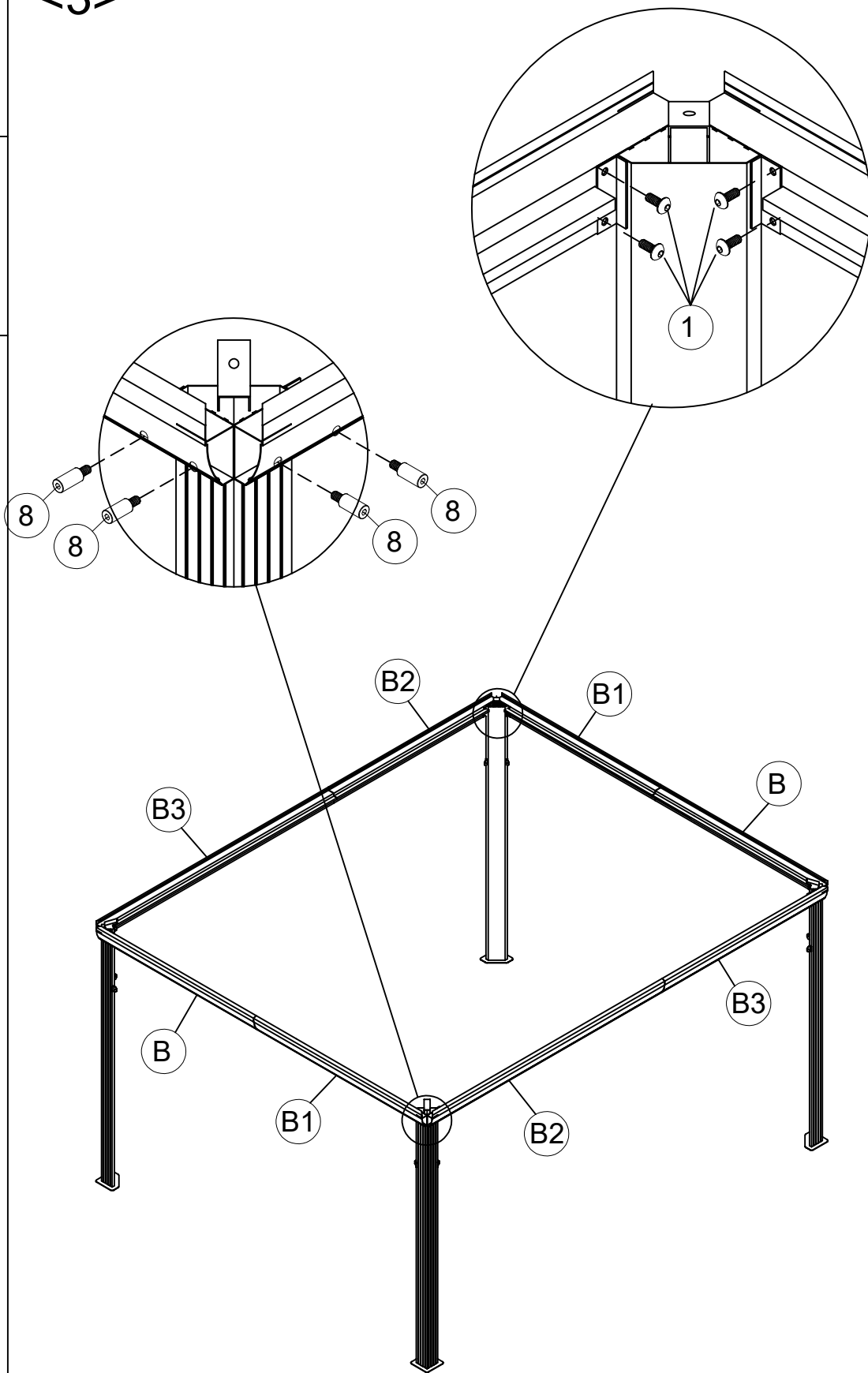


<3>

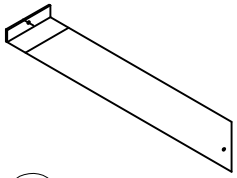
1 M6x16
16x



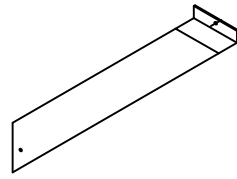
8 16x



7



H 4x

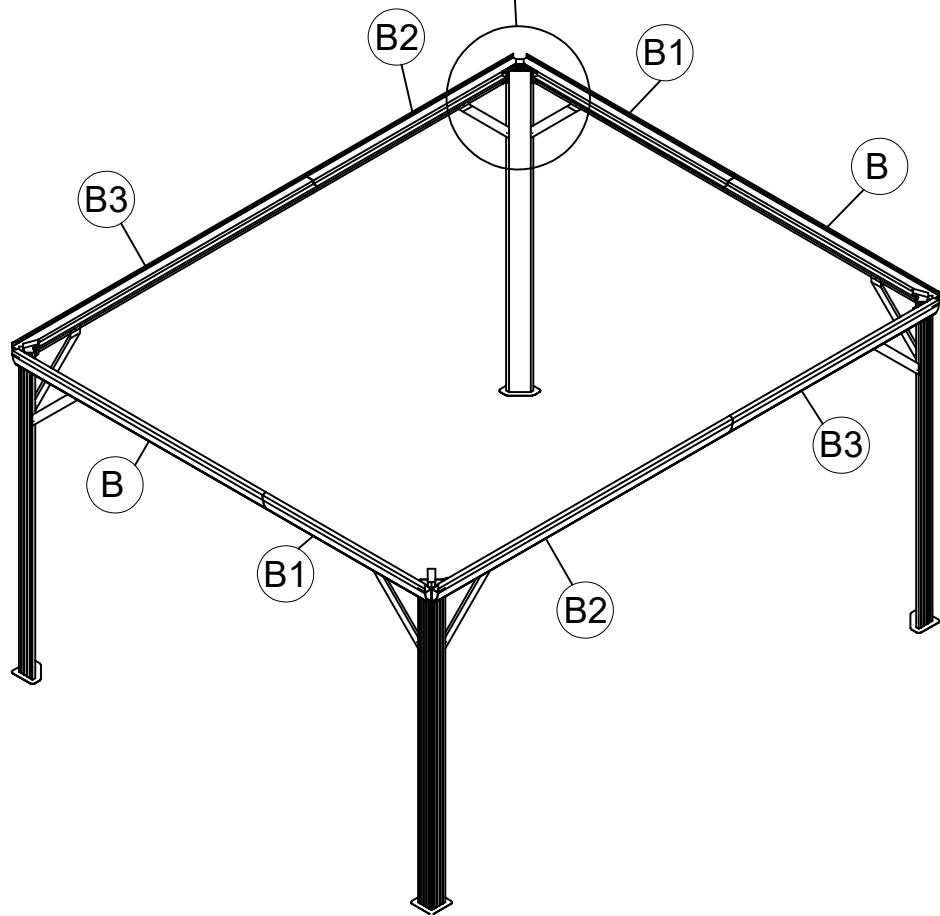
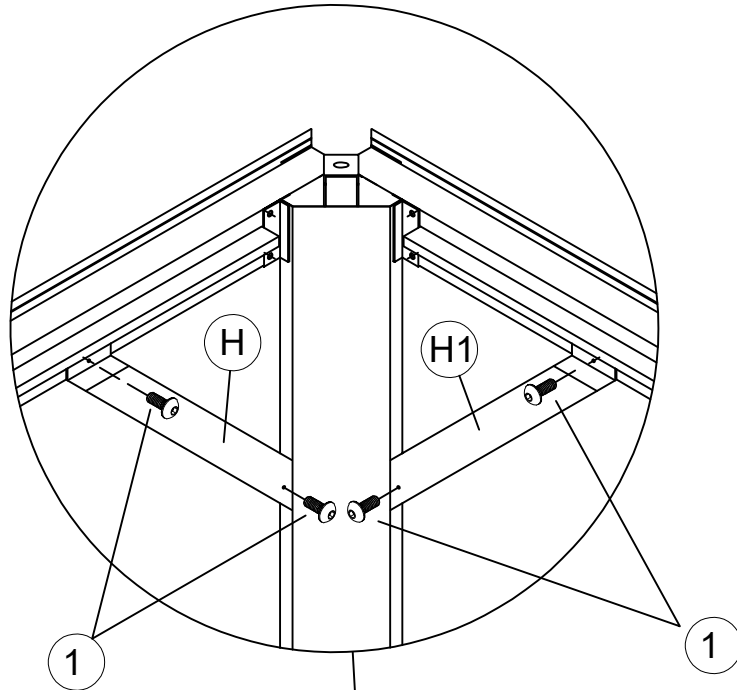


H1 4x

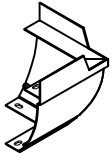


1 16x M6x16

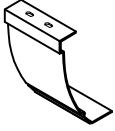
<4>



<5>



(K) 4x



(K1) 4x



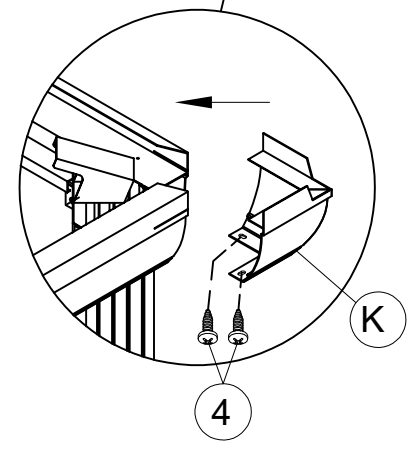
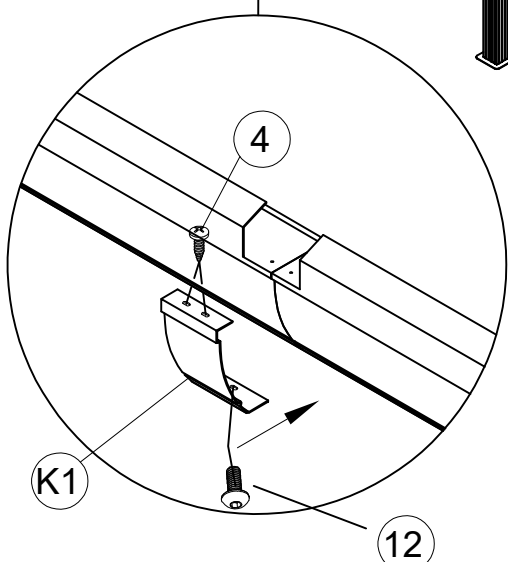
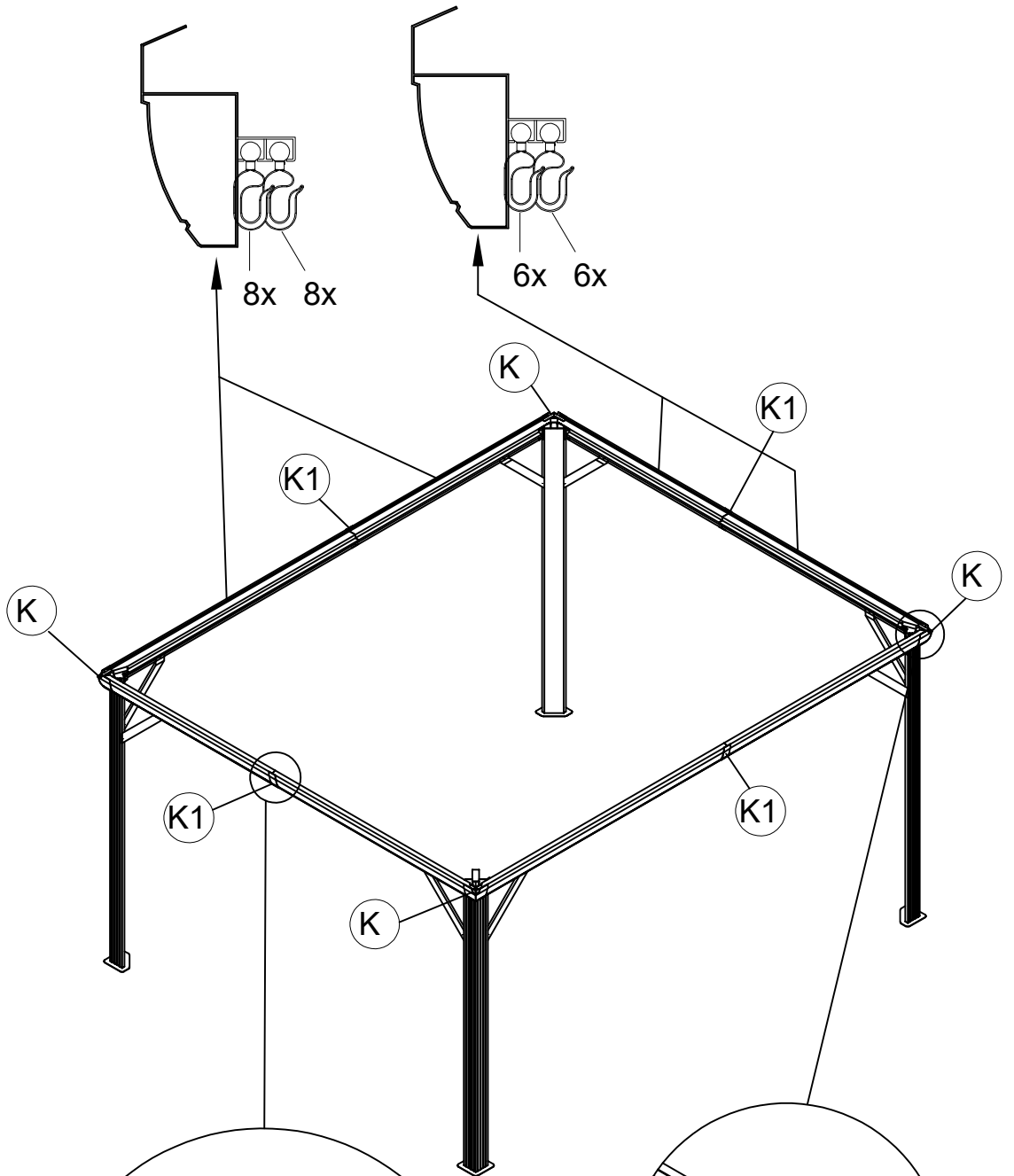
(U) 112x



(12) 4x M5x12

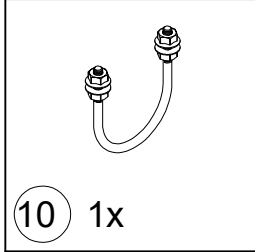
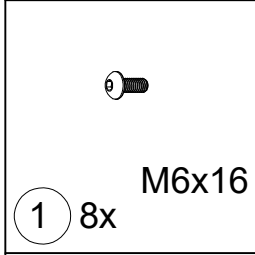
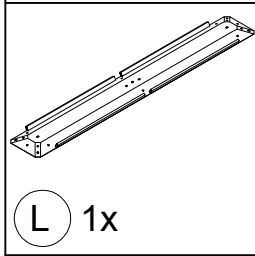
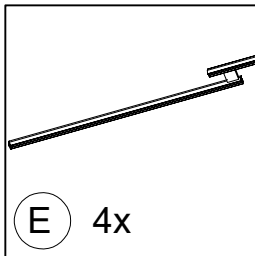


(4) 16x ST4.8x12

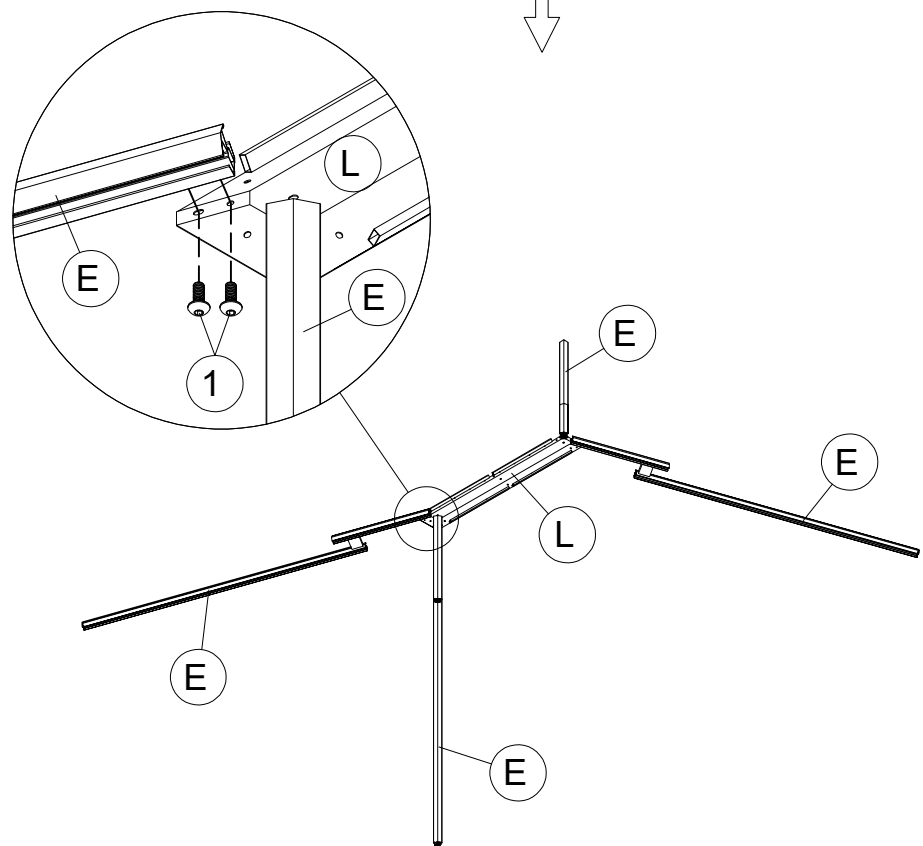
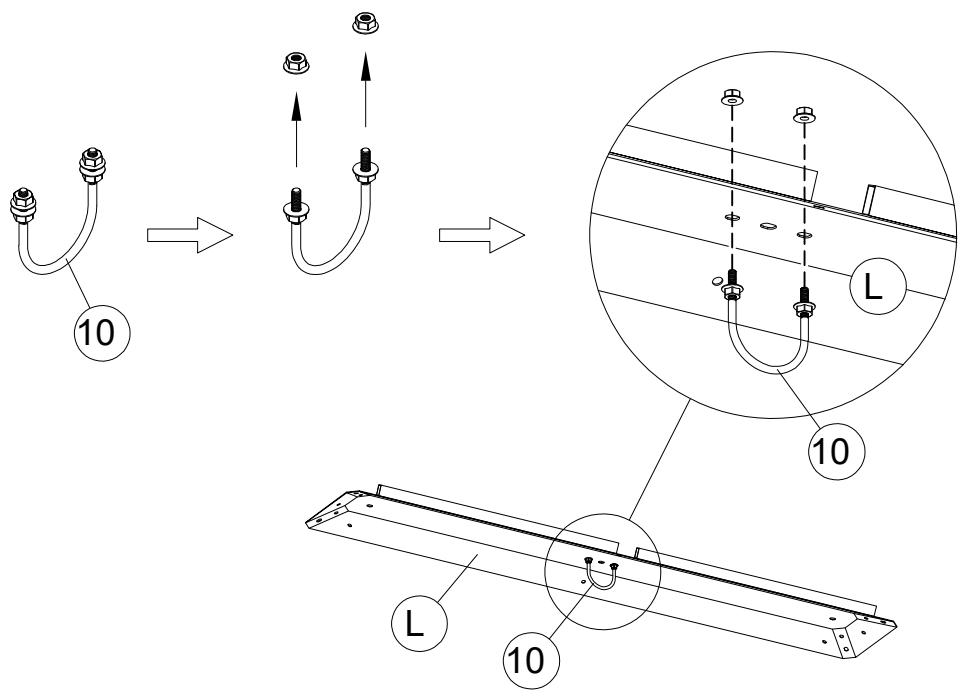


9

(12)



<6>

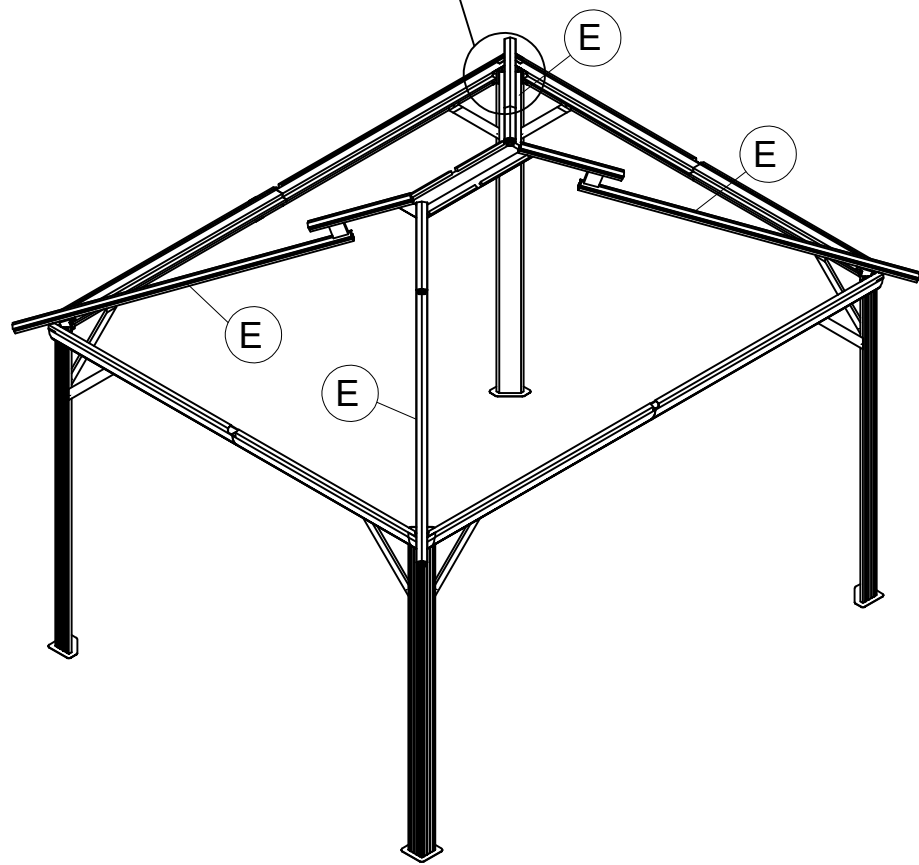
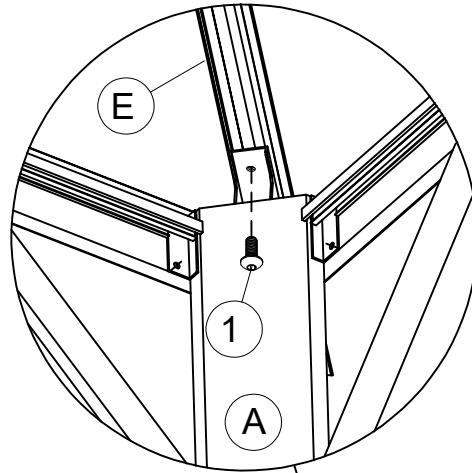


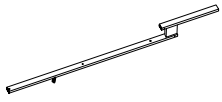
10



<7>

1 4x M6x16





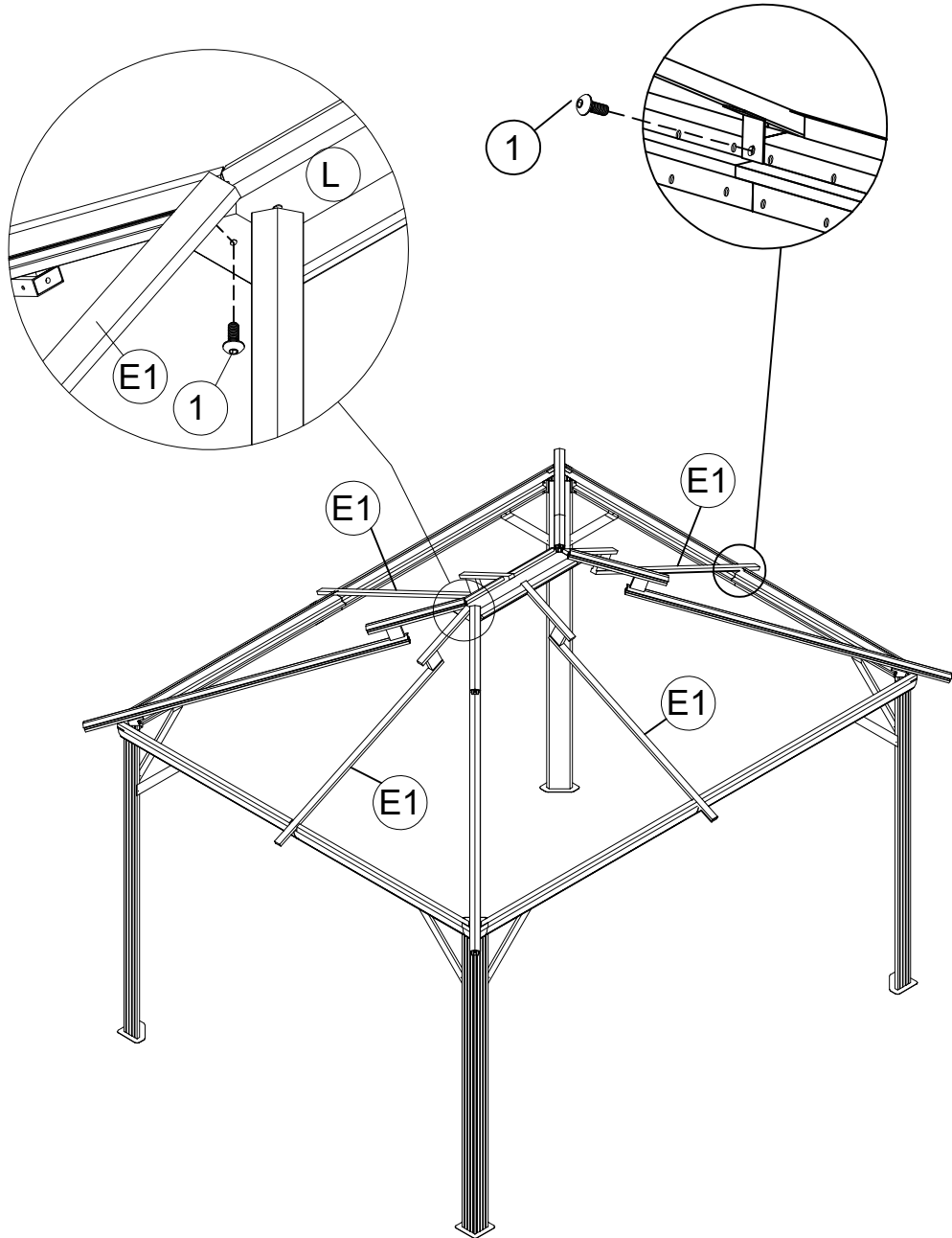
<8>

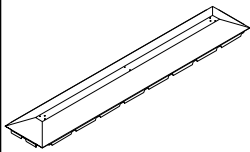
E1 4x



M6x16

1 8x





(M) 1x



(5) 2x



(Za) 2x

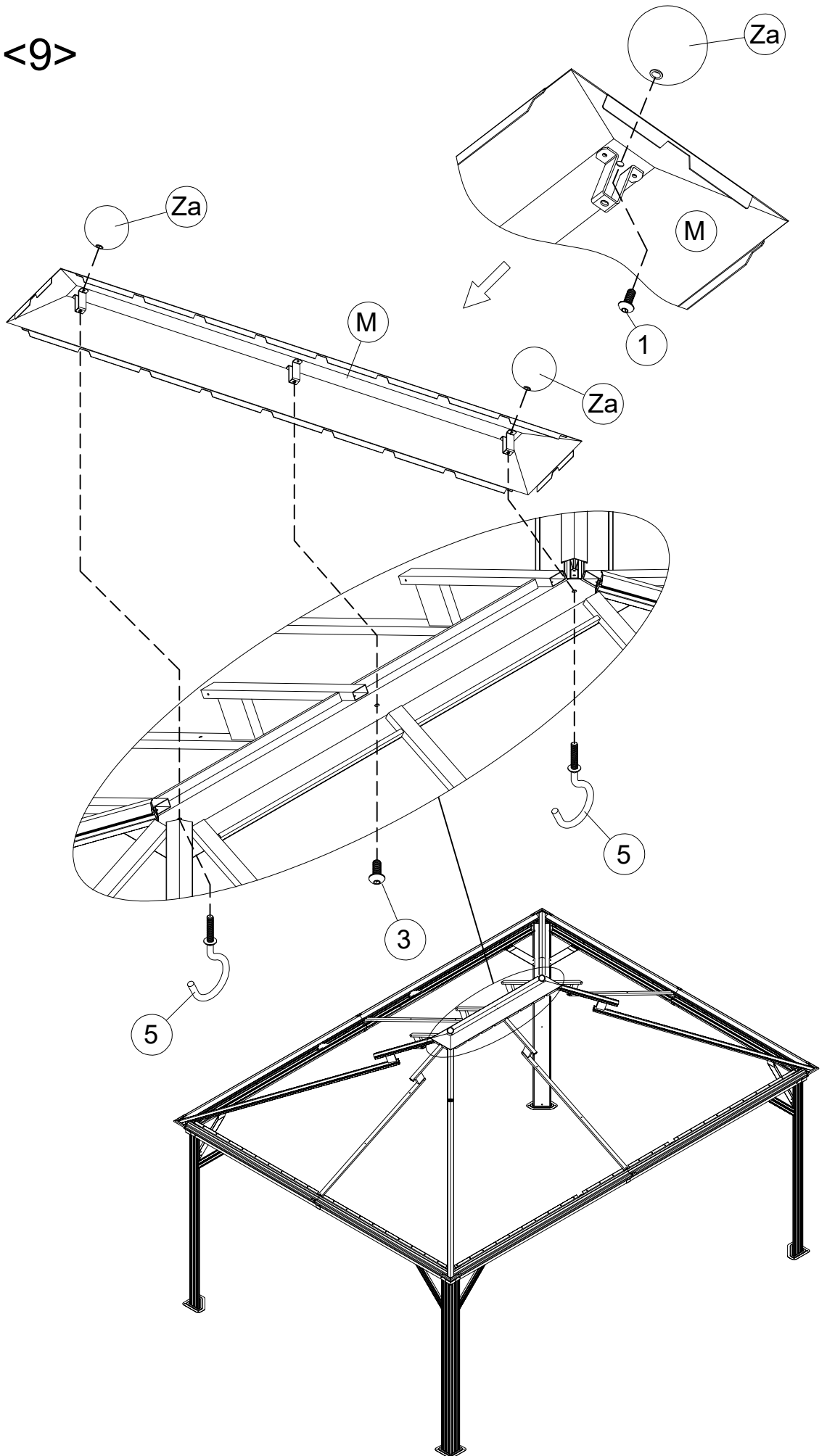


(1) 2x M6x16



(3) 1x M6x25

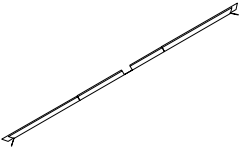
<9>





<10>

G3 2x



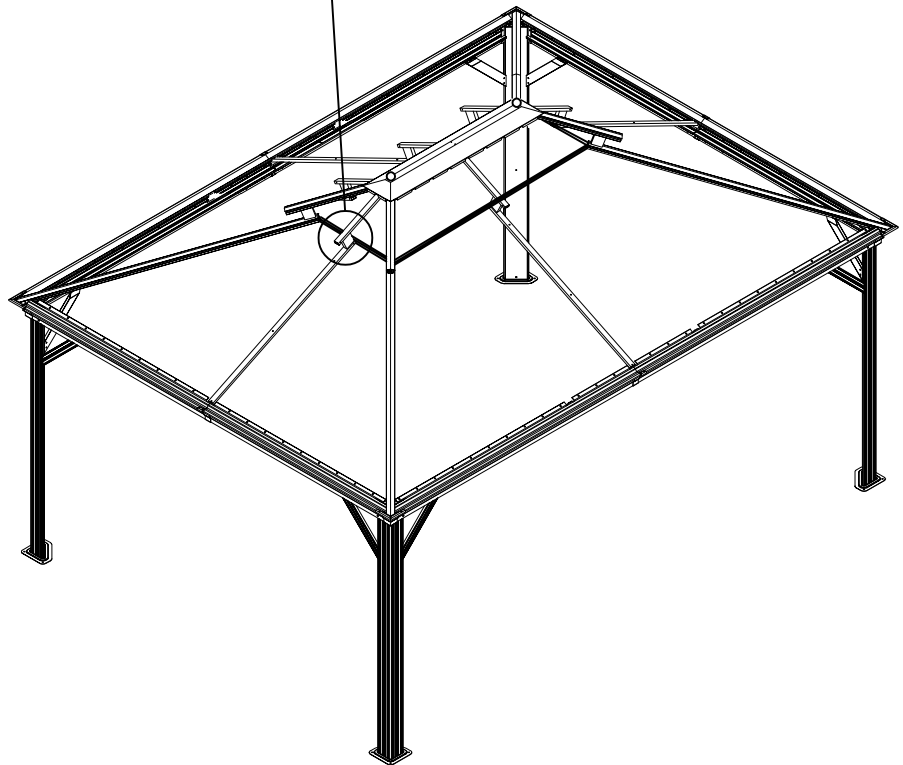
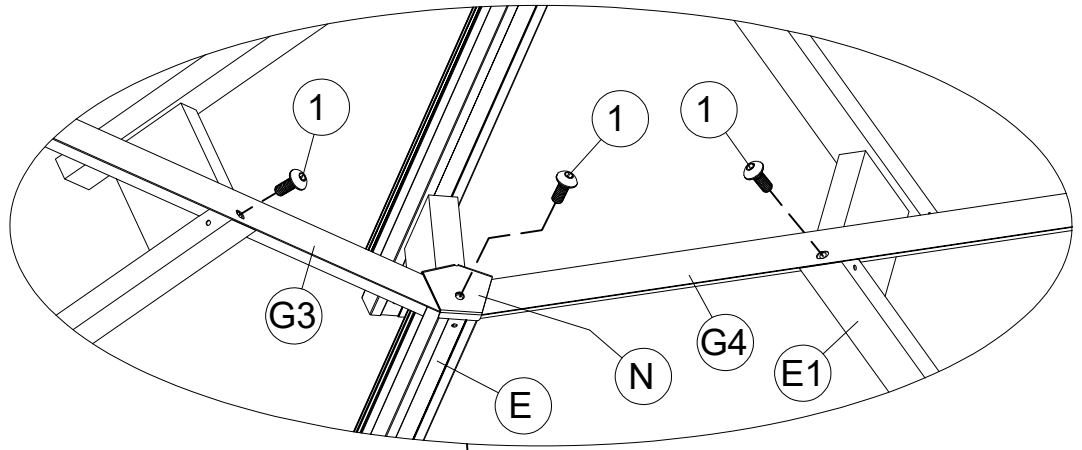
G4 2x



N 4x



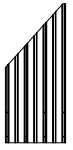
1 8x M6x16



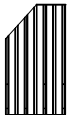


<11>

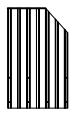
Q1 2x



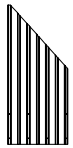
Q2 2x



Q3 2x



Q4 2x



Q5 2x



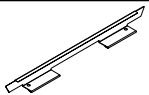
Q6 2x



S 2x



Sa 2x

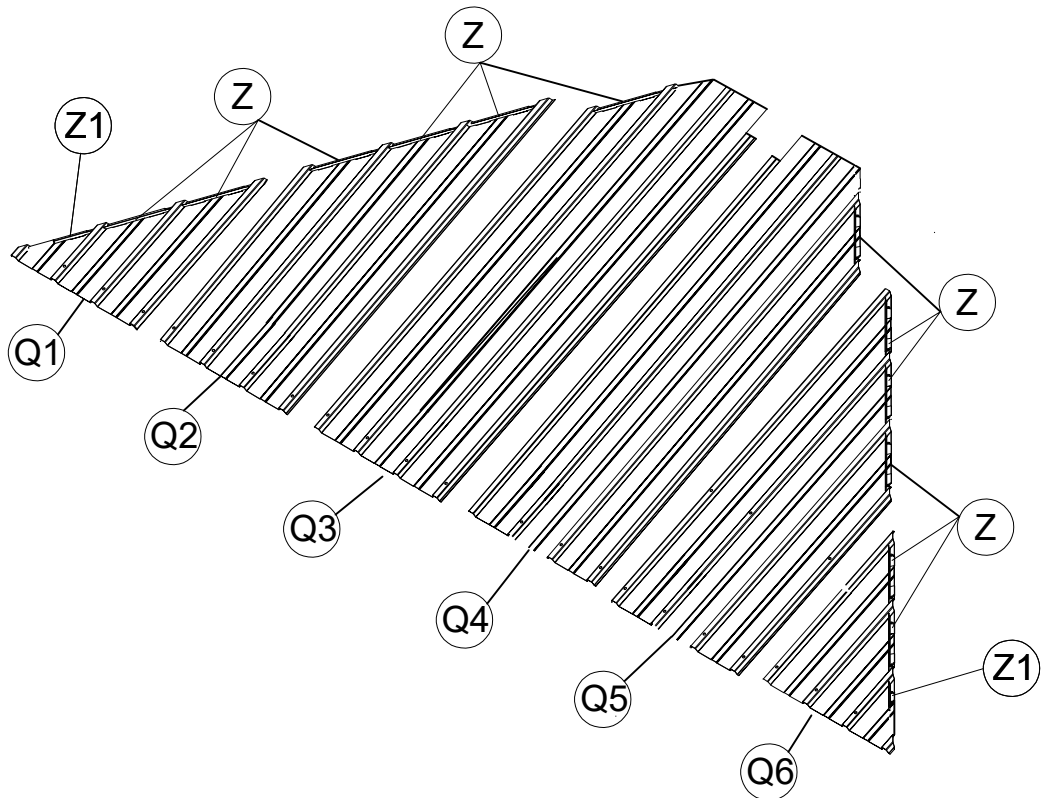
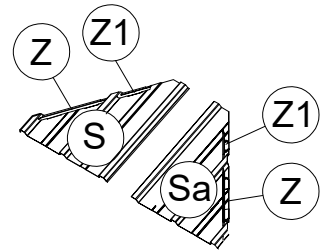
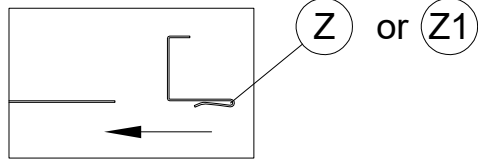
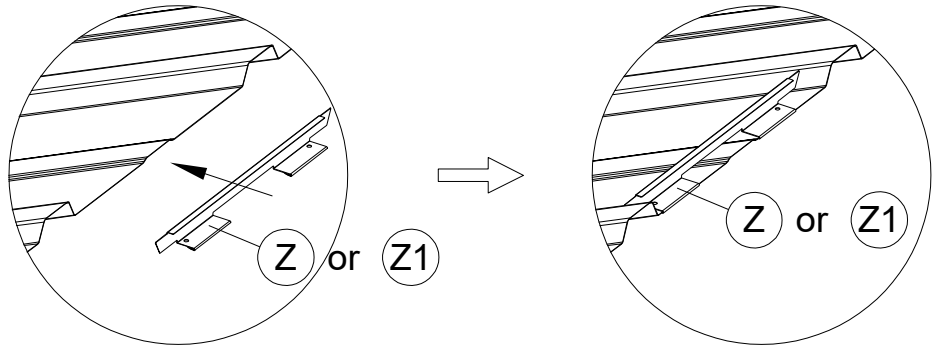


Z 28x



Z1 8x

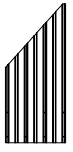
15



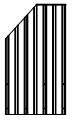
<12>



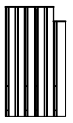
R1 2x



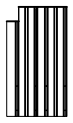
R2 2x



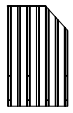
R3 2x



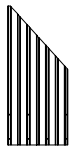
R4 2x



R5 2x



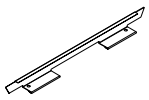
R6 2x



R7 2x



R8 2x

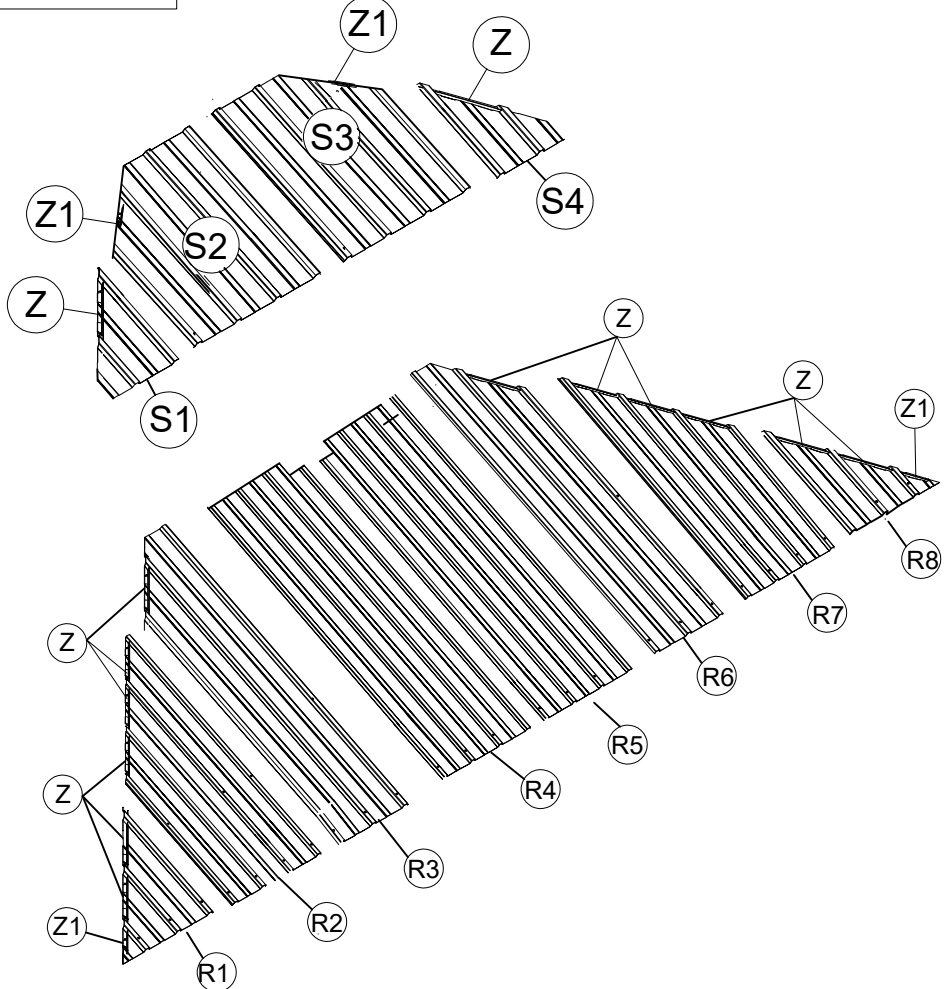
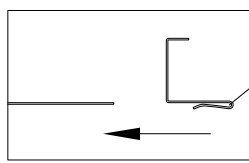
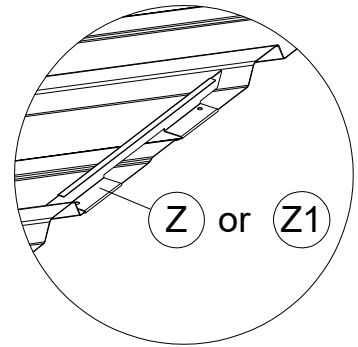
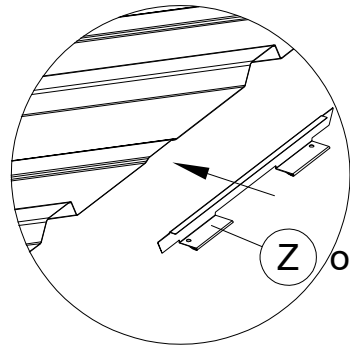


Z 28x



Z1 8x

16



S1 2x



S2 2x

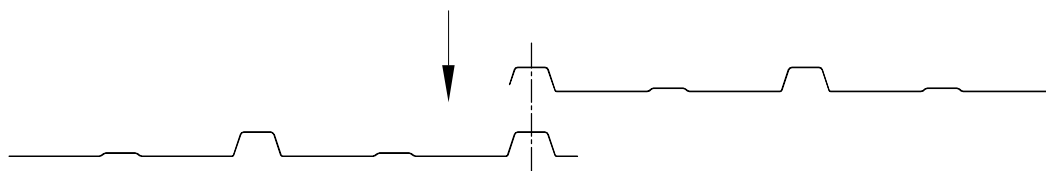
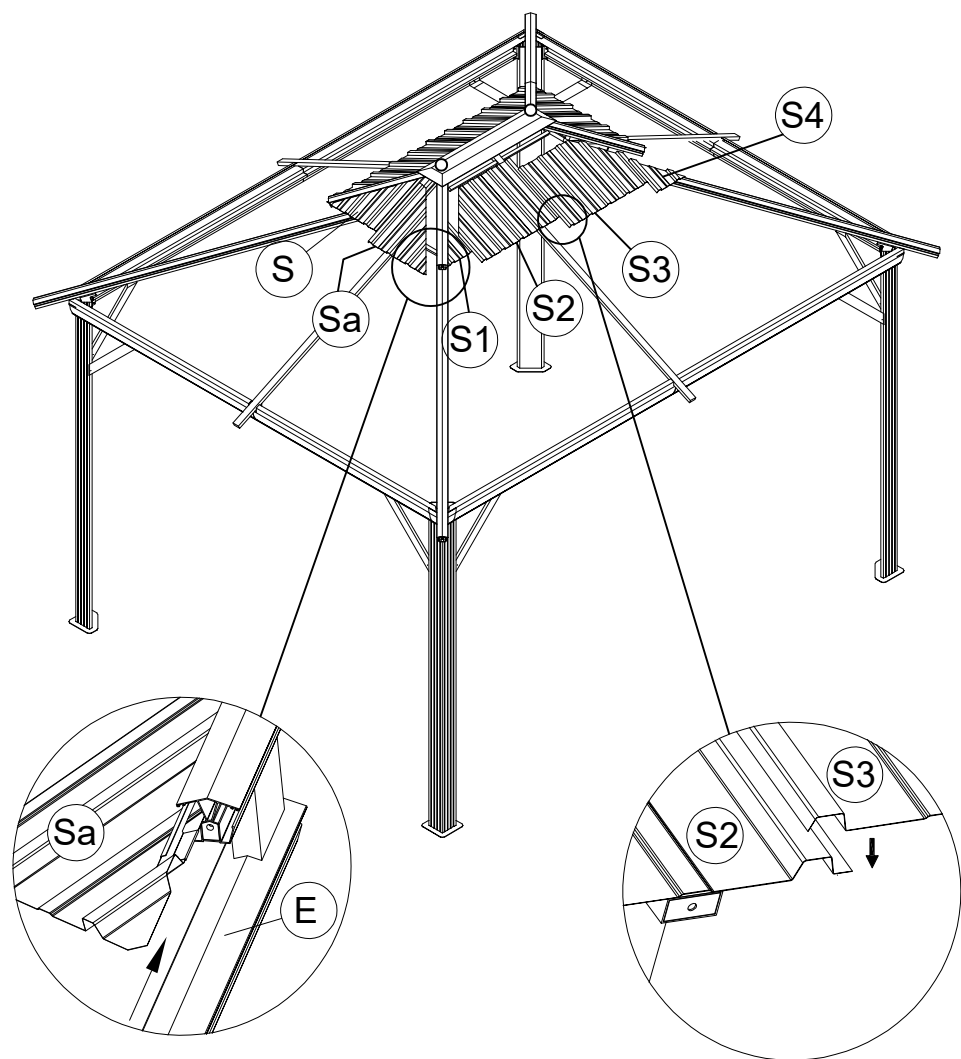


S3 2x



S4 2x

<13>



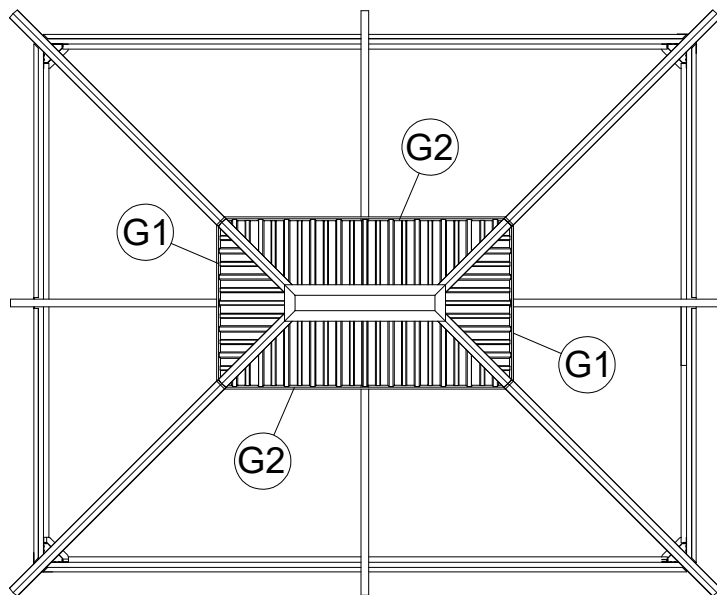
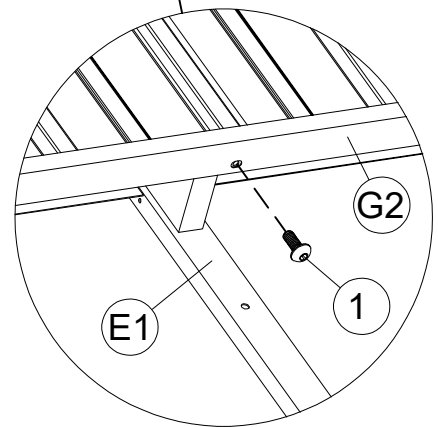
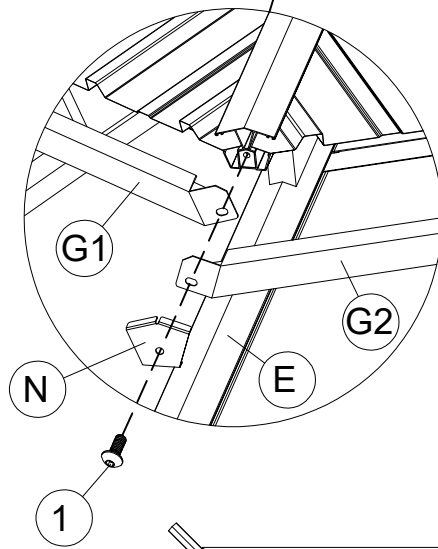
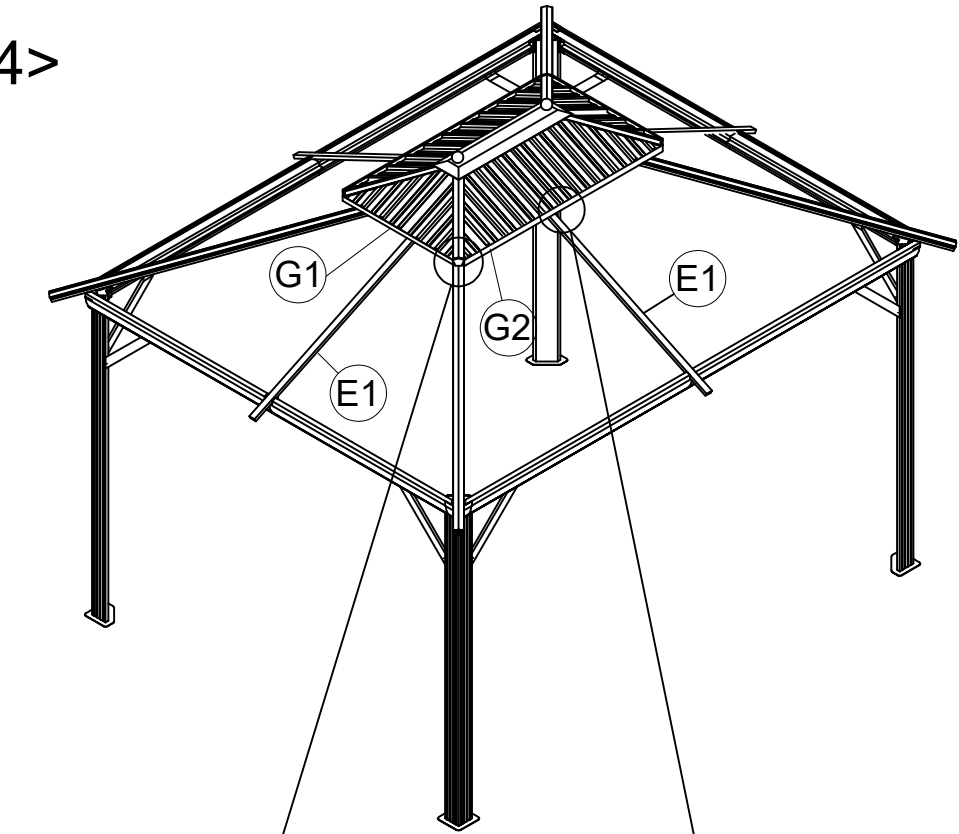
<14>

G1 2x

G2 2x

N 4x

1 8x M6x16



18

<15>

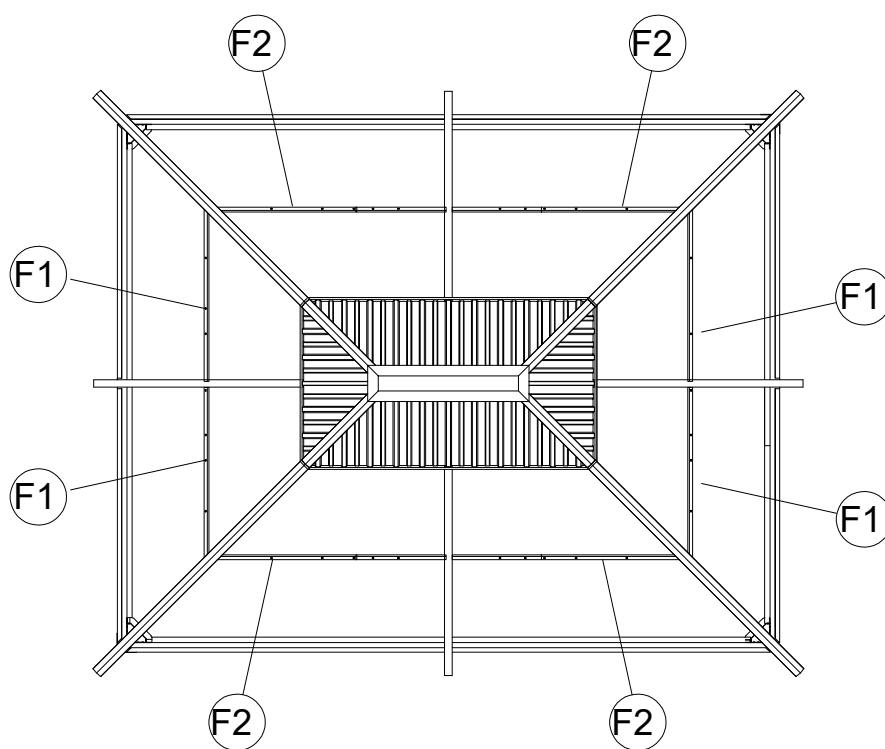
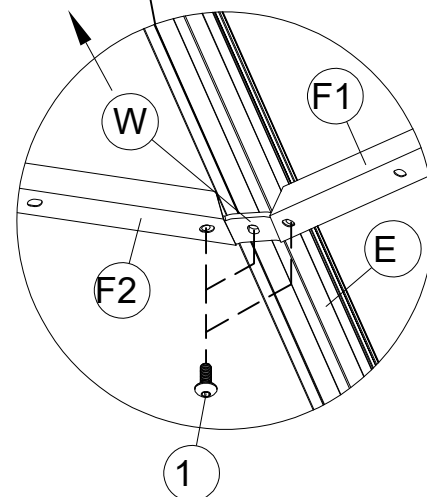
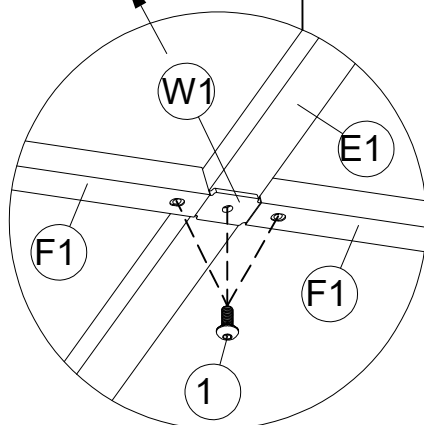
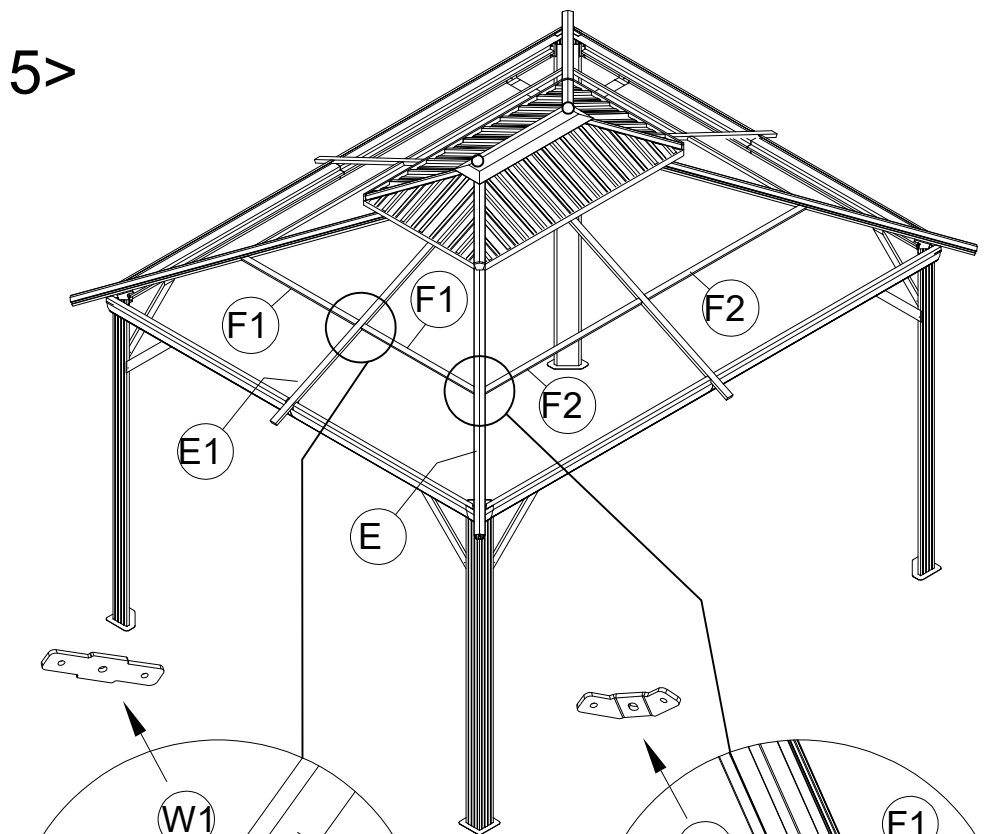
F1 4x

F2 4x

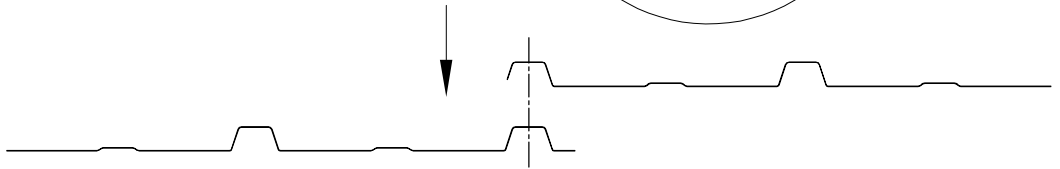
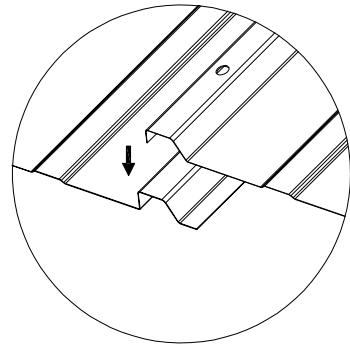
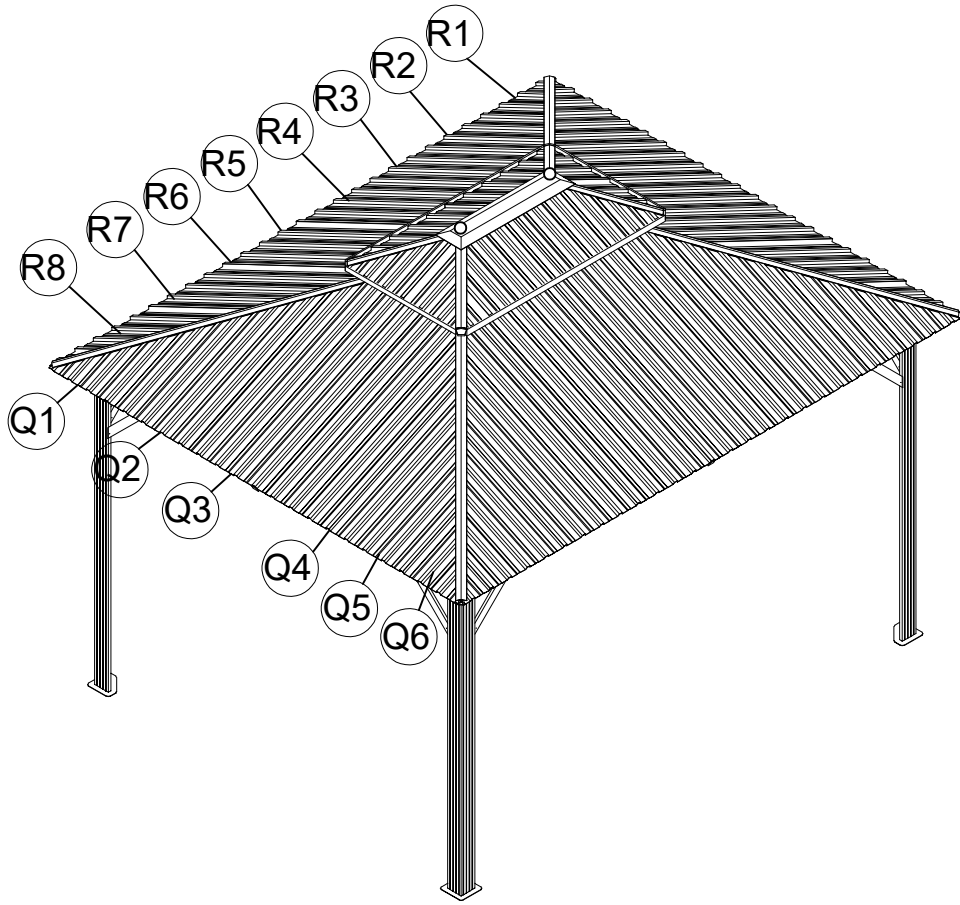
W 4x

W1 4x

1 M6x16
24x



<16>



<17>

G5 2x

G6 2x

G7 2x

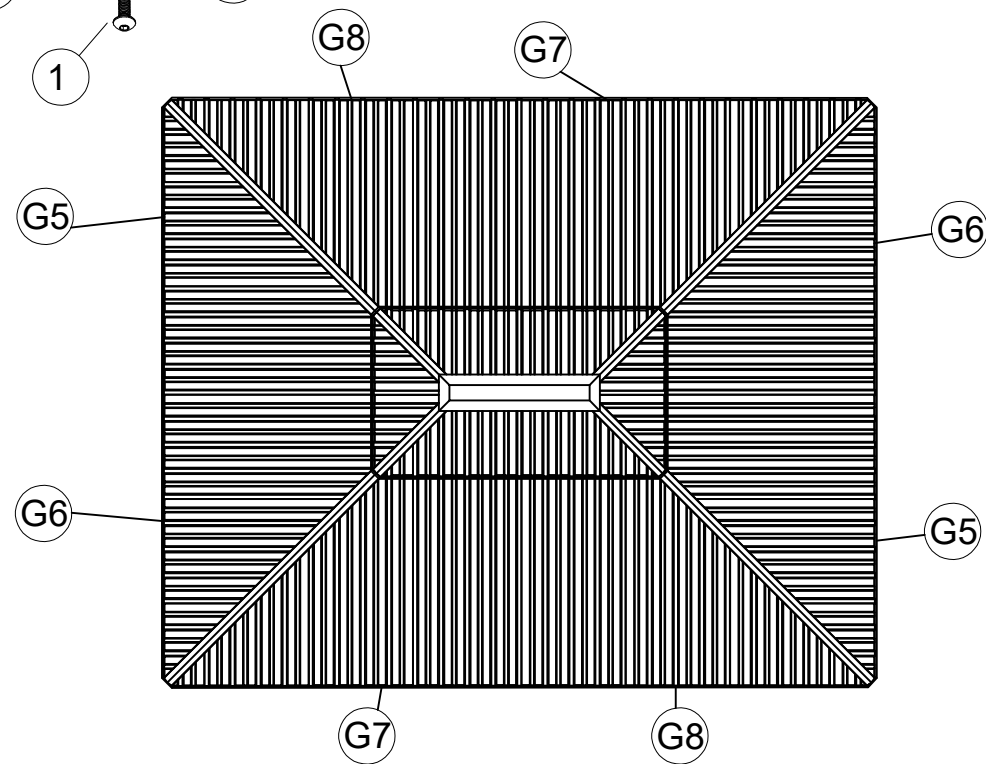
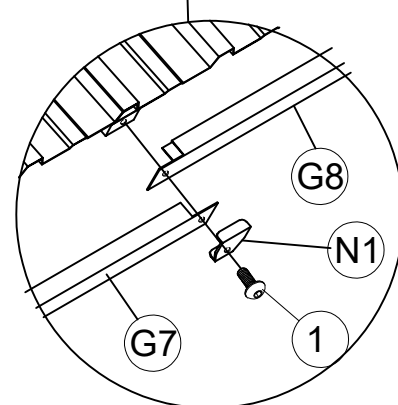
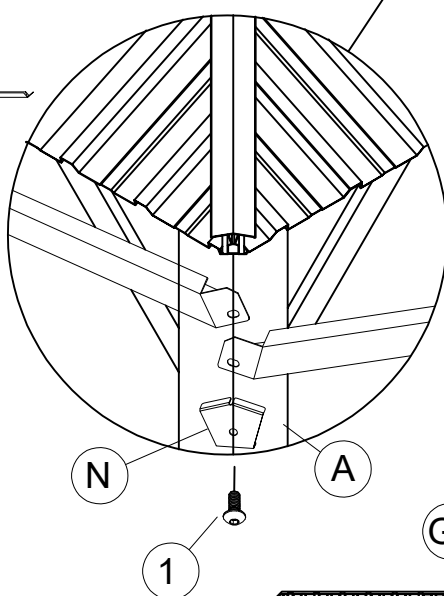
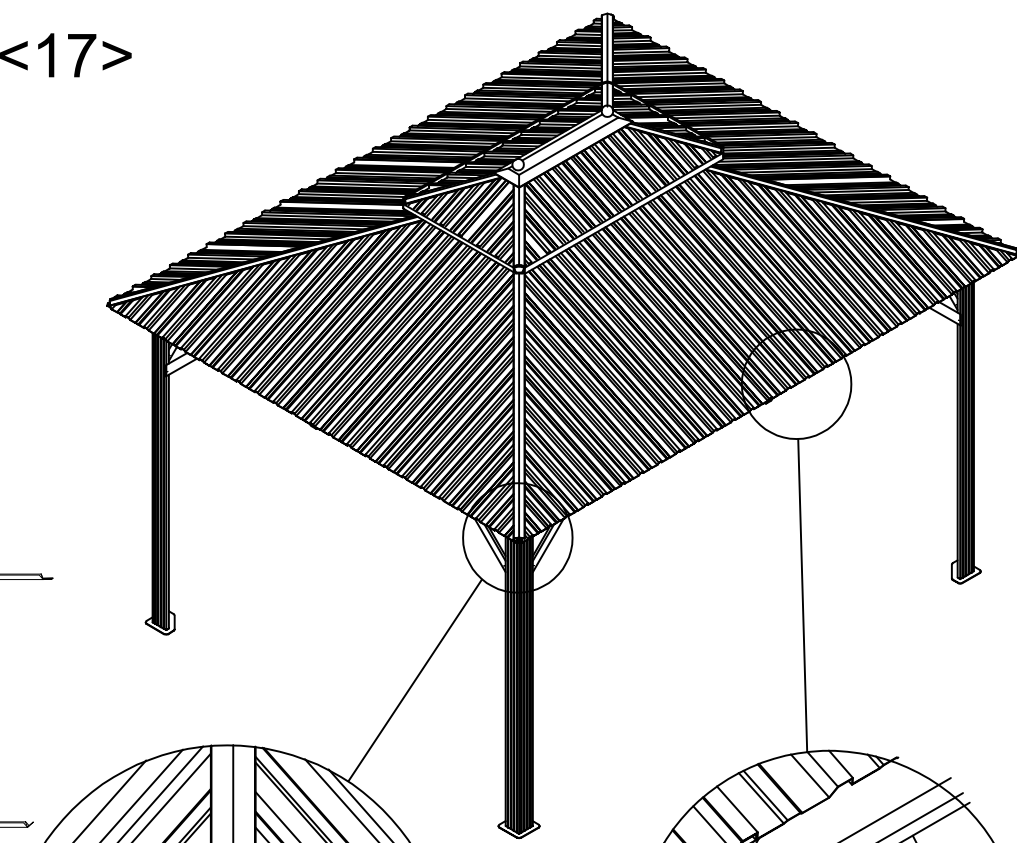
G8 2x

N 4x

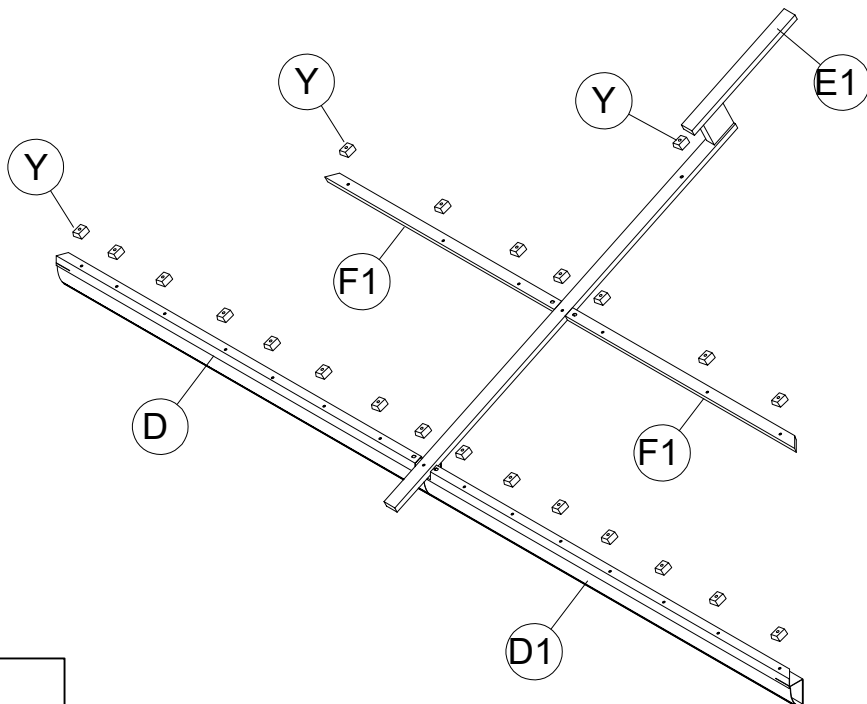
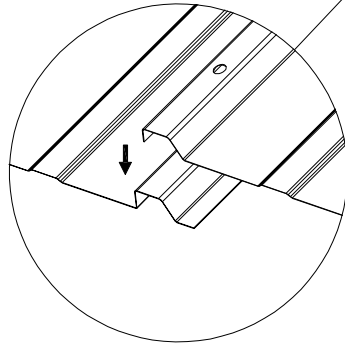
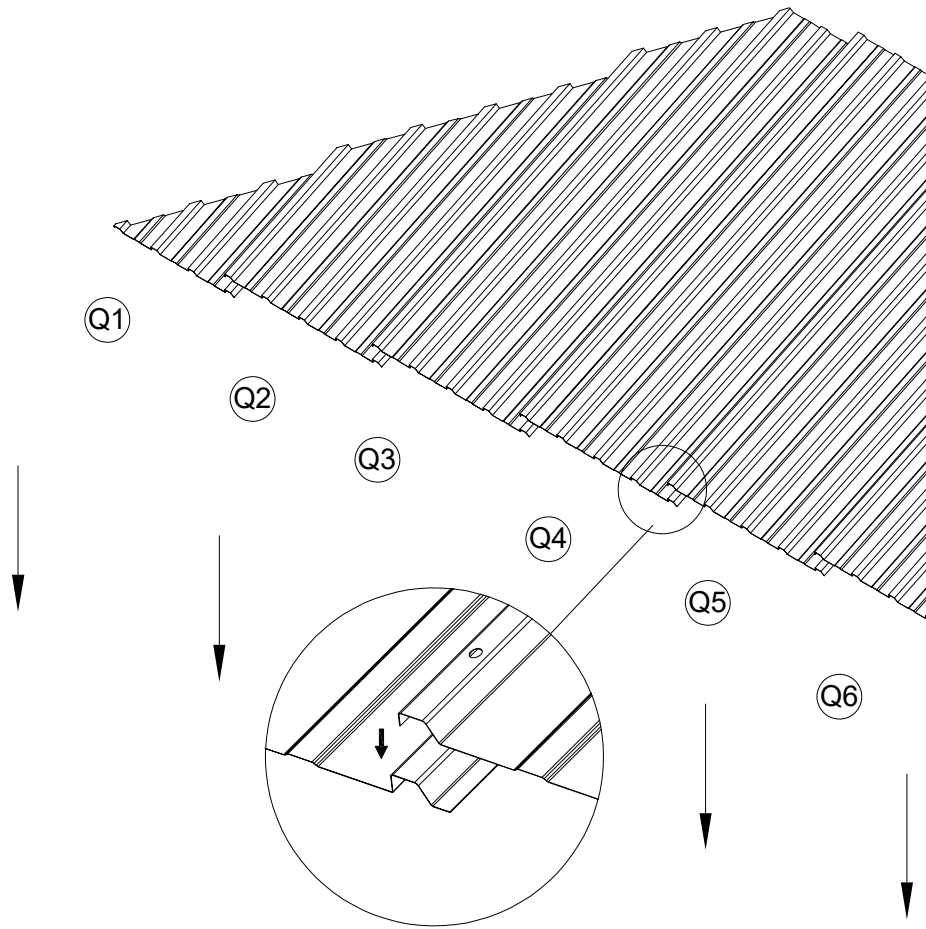
N1 4x

1 8x M6x16

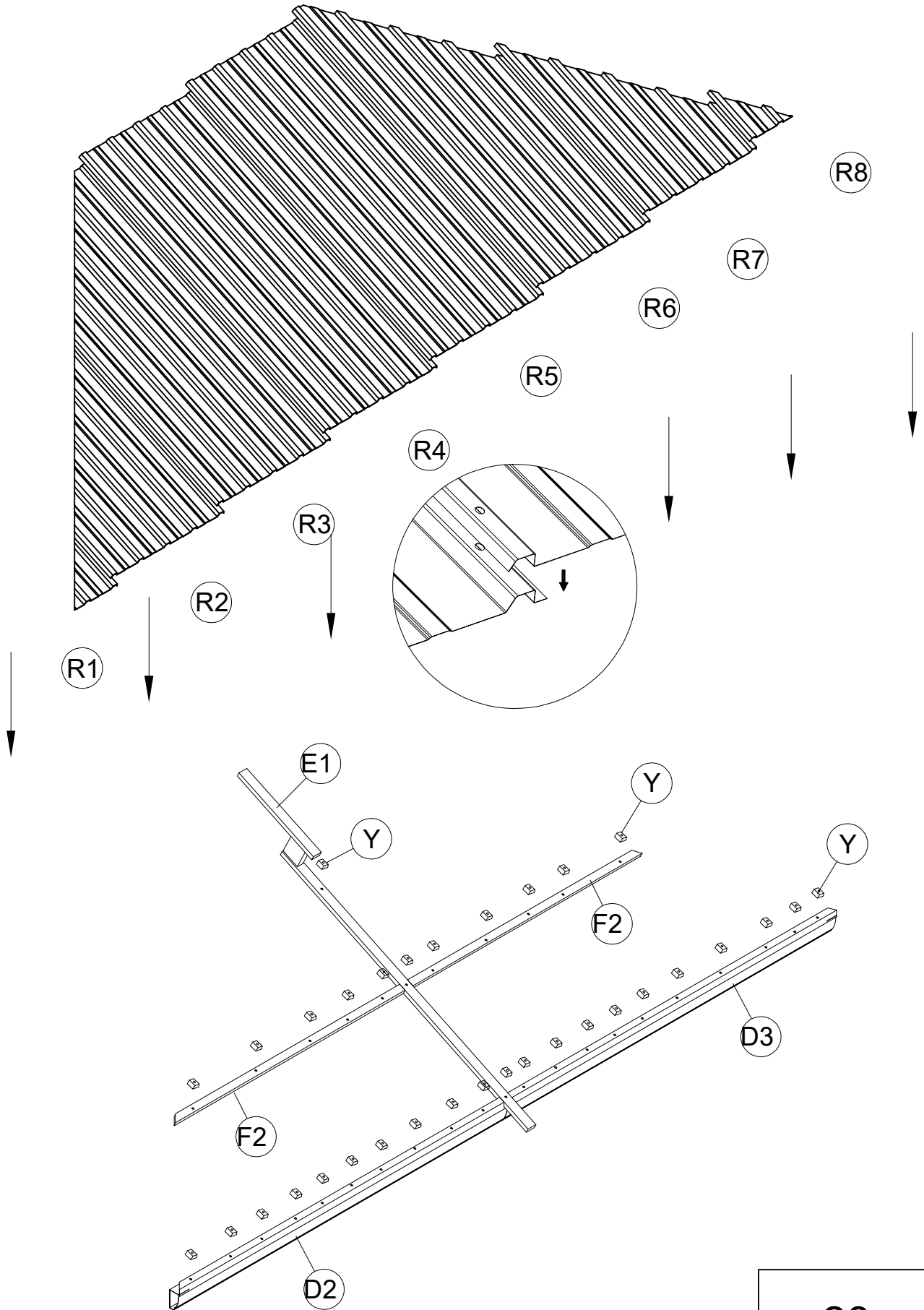
21



<18>



<19>





<20>

Y 112x



2 68x M6x23



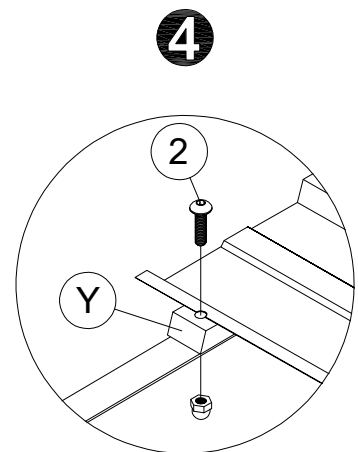
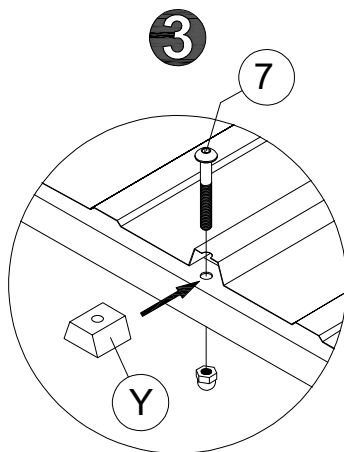
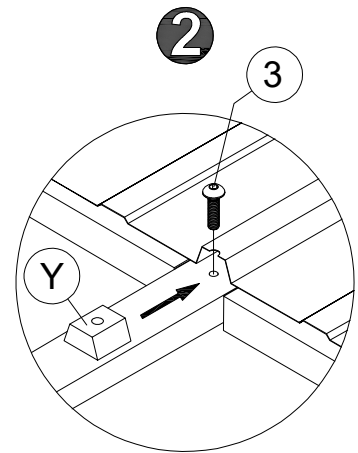
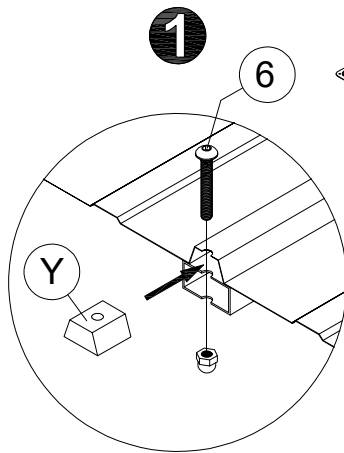
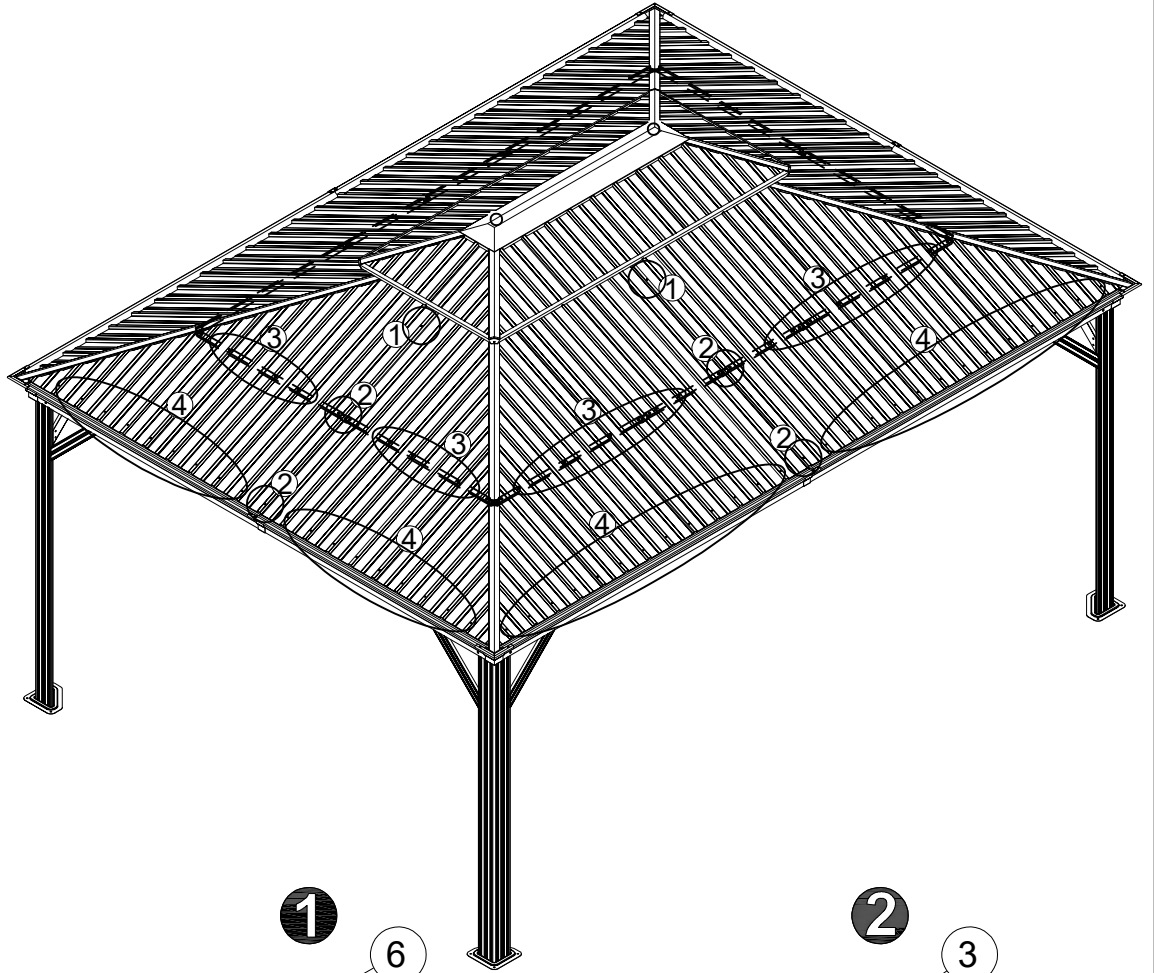
6 4x M6x42

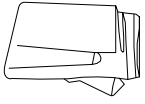


7 28x M6x47



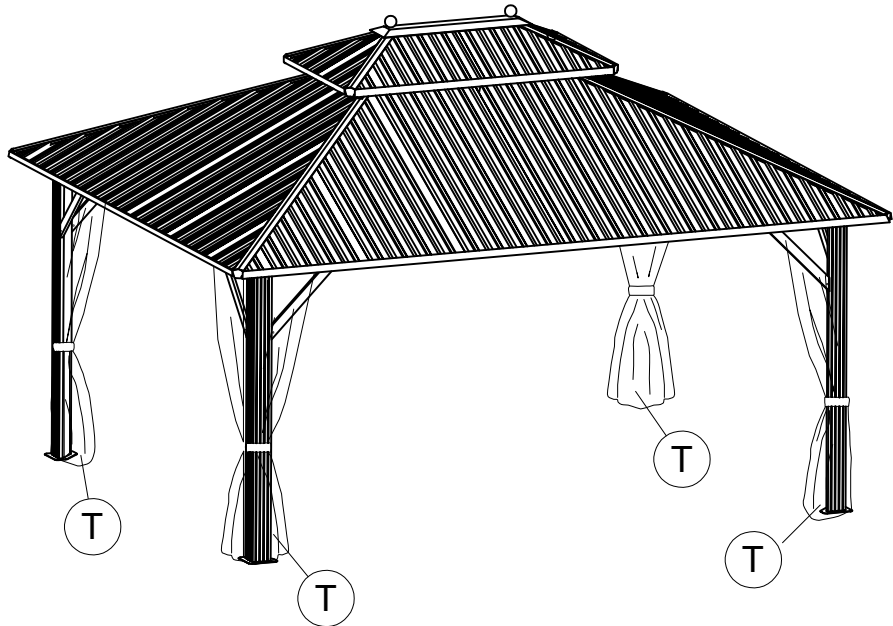
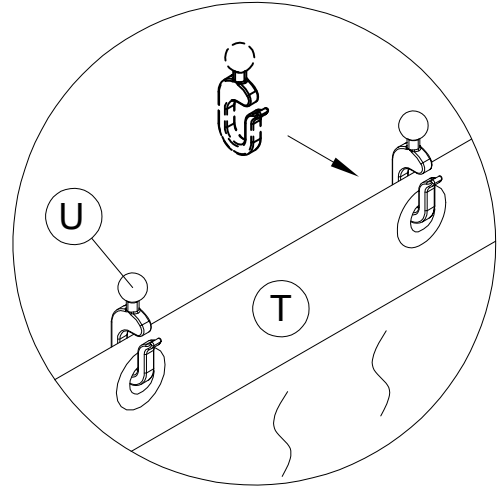
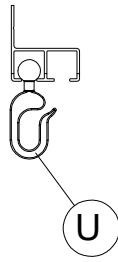
3 8x M6x25

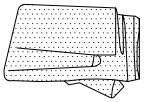




<21>

T 4x



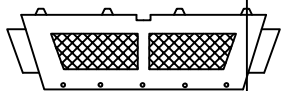


<22>

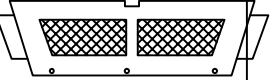
T1 4x



9 12x



V1 2x

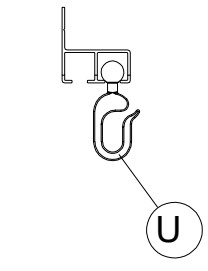


V2 2x

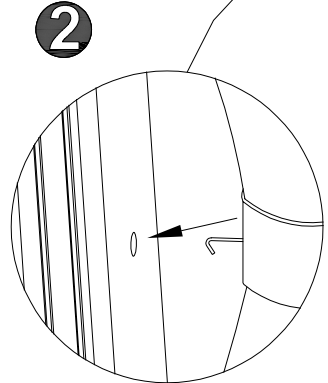
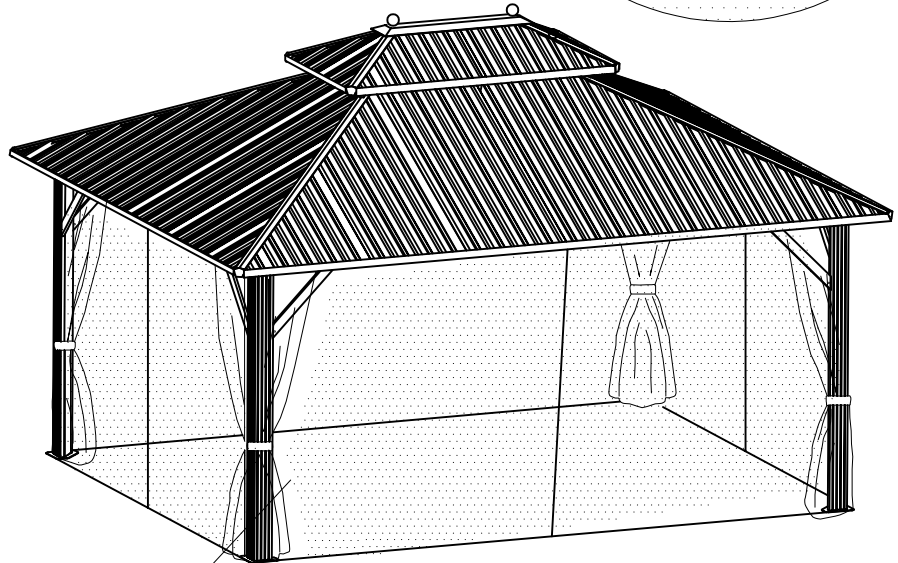
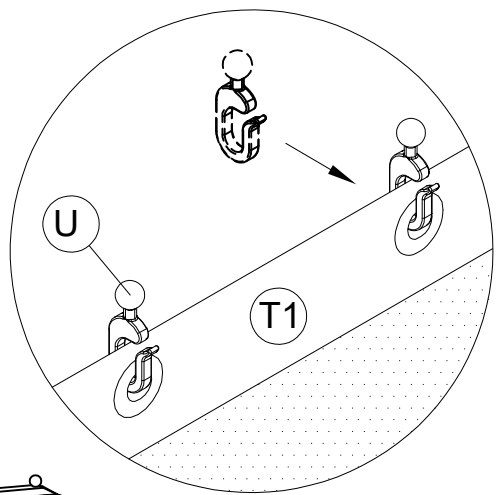


M6x10

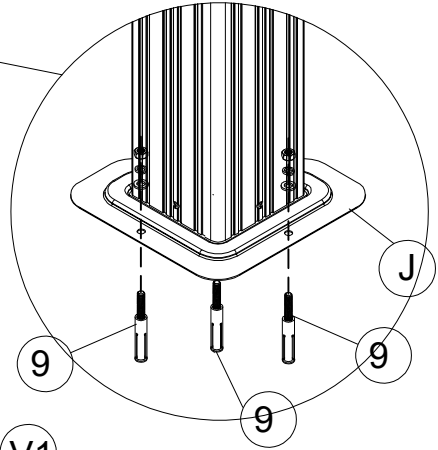
5 12x



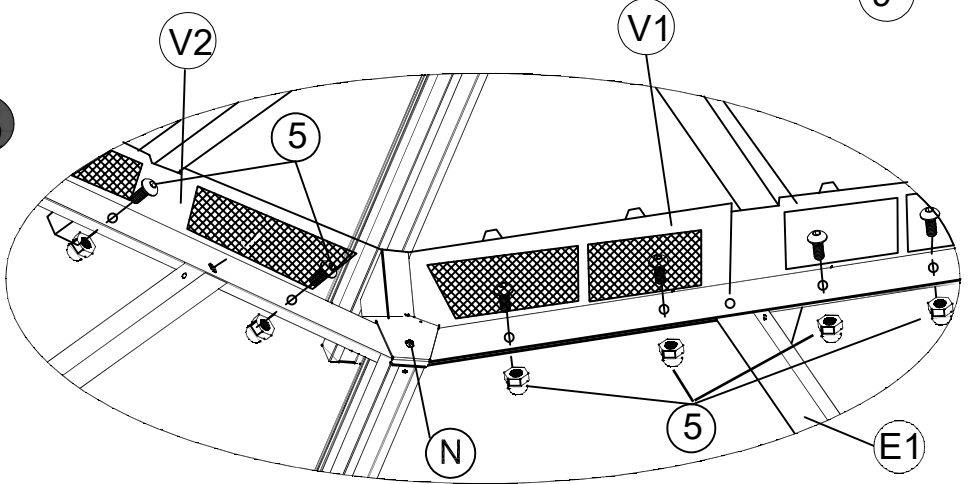
3



1



3



Box A		Box A		Box C	
Part #	Qty			Part #	Qty
B	2	⑬	1	Q1	2
B1	2	⑭	1	Q2	2
B2	2	⑮	1	Q3	2
B3	2	Box B		Q4	2
T	4			Part #	Qty
T1	4	A	4	Q6	2
F2	4	E	4	R1	2
F1	4	E1	4	R2	2
G1	2	G5	2	R3	2
G2	2	G6	2	R4	2
G3	2	G7	2	R5	2
G4	2	G8	2	R6	2
L	1	H	4	R7	2
M	1	H1	4	R8	2
Za	2	J	4	S	2
		K	4	Sa	2
		K1	4	S1	2
①	146	N	12	S2	2
②	68	N1	4	S3	2
③	9	P	4	S4	2
④	16	Z	56		
⑤	12	Z1	16		
⑥	4	U	112		
⑦	28	Y	112		
⑧	16	W	4		
⑨	12	W1	4		
⑩	1	V1	2		
⑪	2	V2	2		
⑫	4				