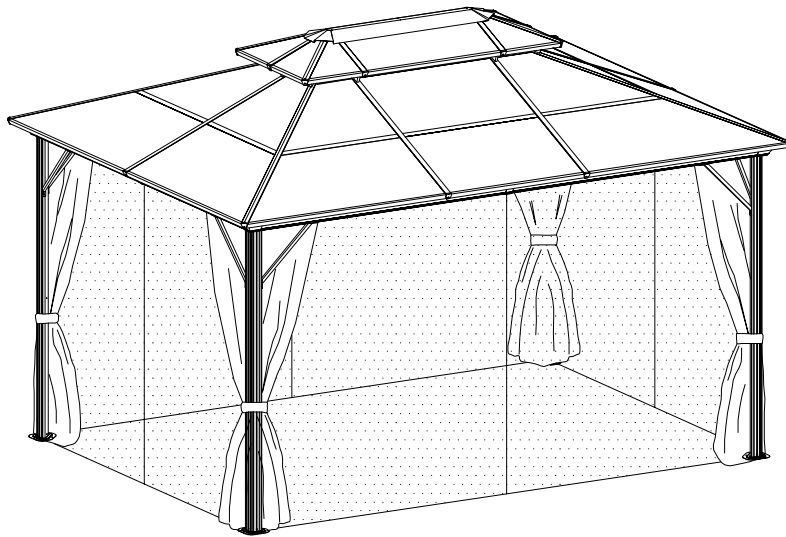


12 x 16 FT

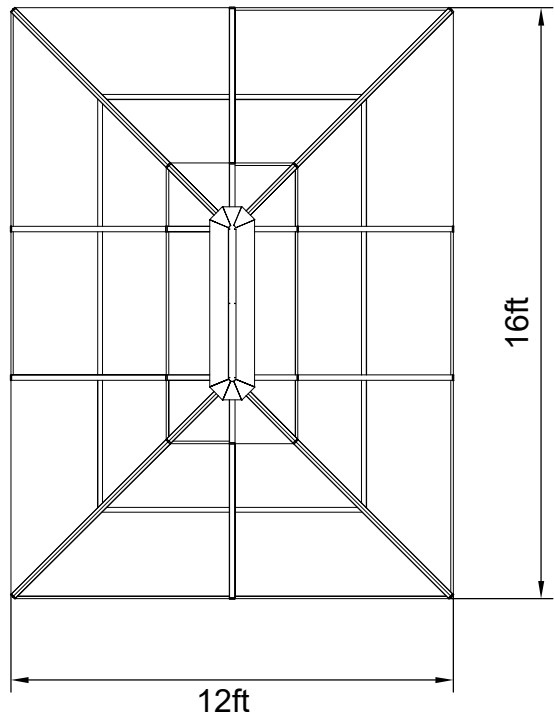
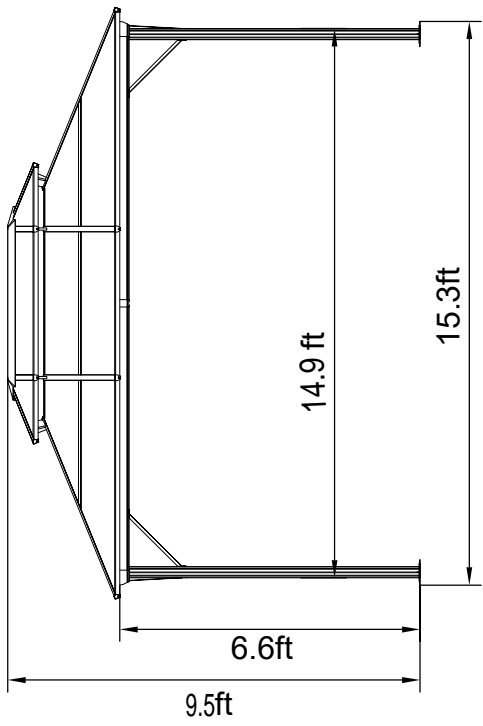
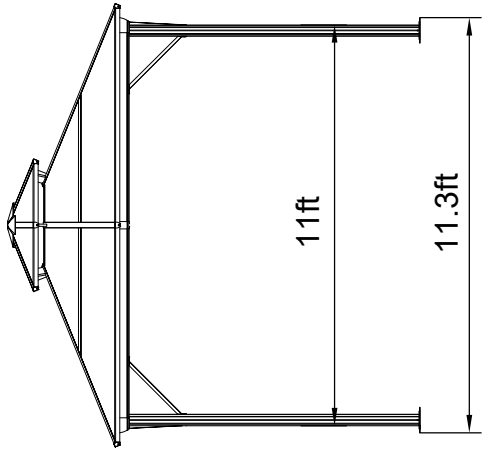
□ □ □ □ □ □ □ HWG20-033JS □ □ □ □ □ □ □



At least need 3 people work together

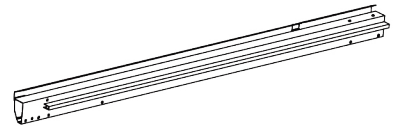
REQUIRED TOOLS



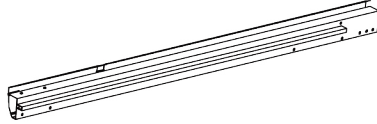




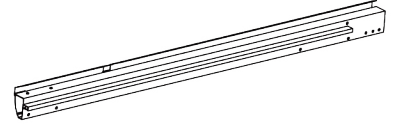
A 4x



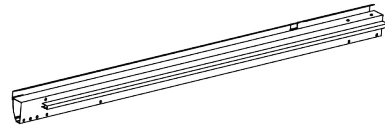
B 2x



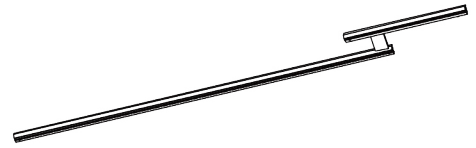
B1 2x



C 2x



C1 2x



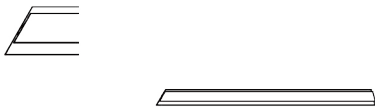
D 4x



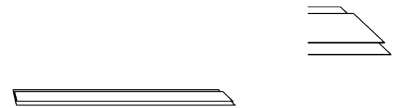
E 6x



F 2x



F1 4x



F2 4x



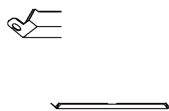
G 2x



G1 4x



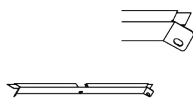
G2 4x



G3 2x



G4 2x



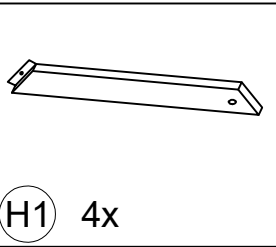
G5 2x



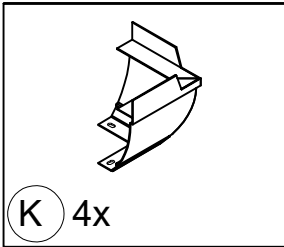
G6 2x



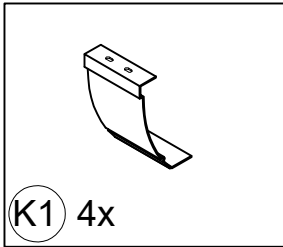
H 4x



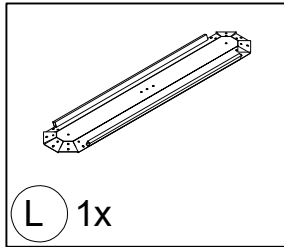
H1 4x



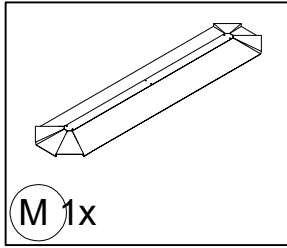
K 4x



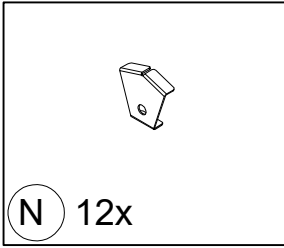
K1 4x



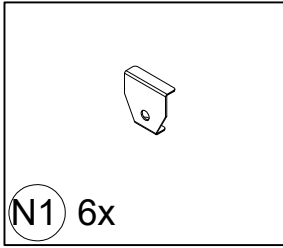
L 1x



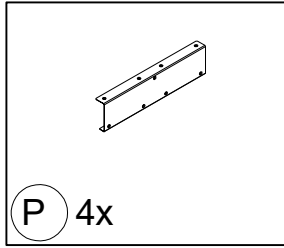
M 1x



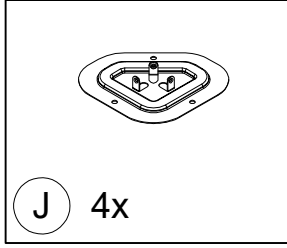
N 12x



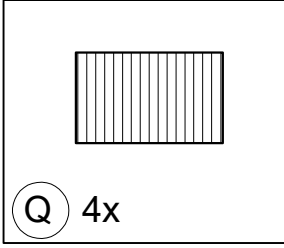
N1 6x



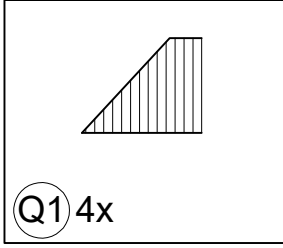
P 4x



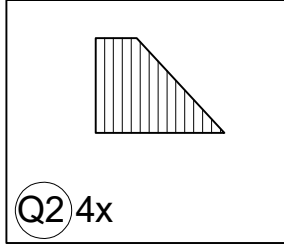
J 4x



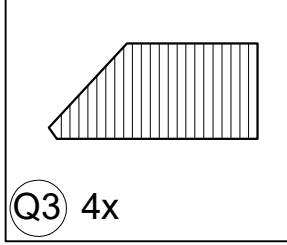
Q 4x



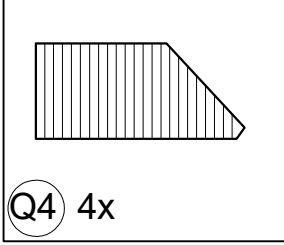
Q1 4x



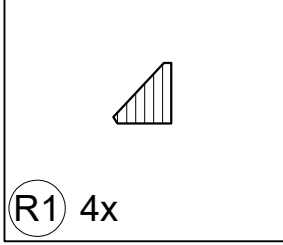
Q2 4x



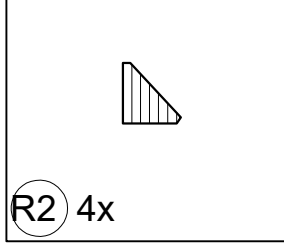
Q3 4x



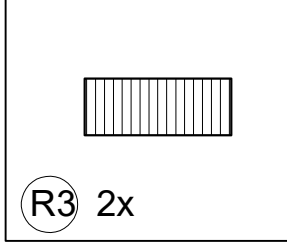
Q4 4x



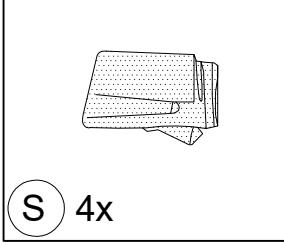
R1 4x



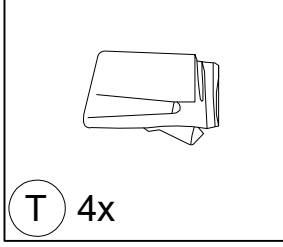
R2 4x



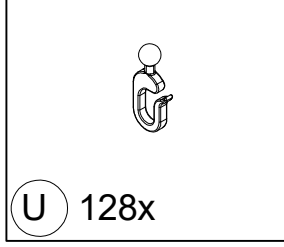
R3 2x



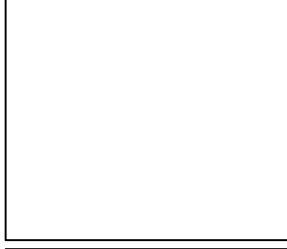
S 4x



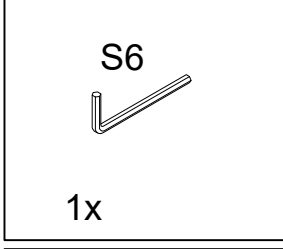
T 4x



U 128x



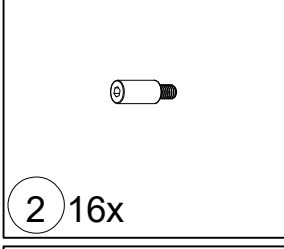
S4
1x



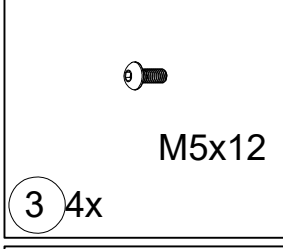
S6
1x



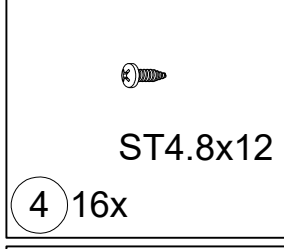
1 136x
M6x16



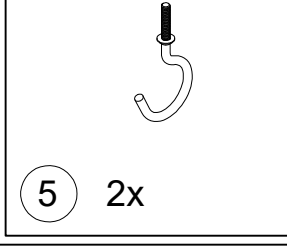
2 16x



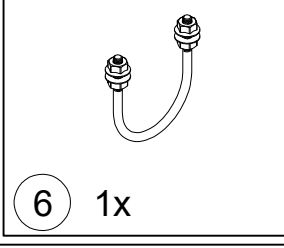
3 4x
M5x12



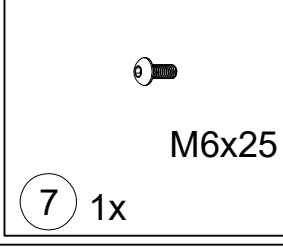
4 16x
ST4.8x12



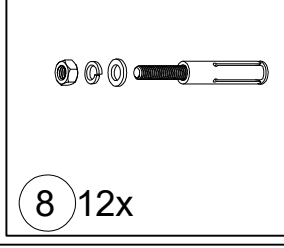
5 2x



6 1x



7 1x
M6x25



8 12x

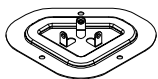


<1>

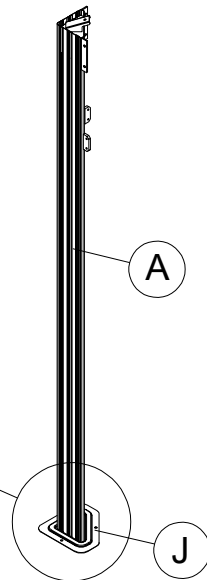
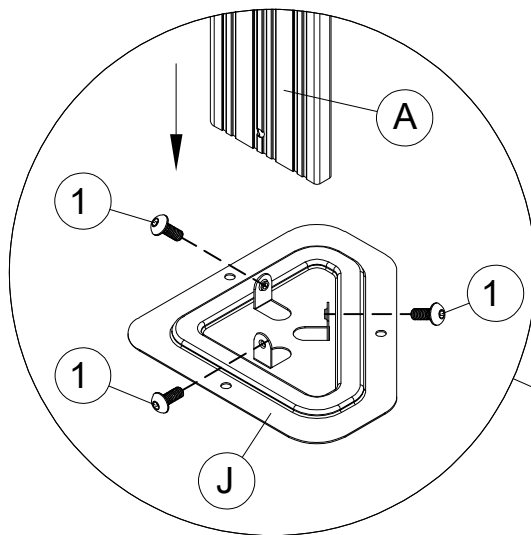
A 4x



1 12x M6x16

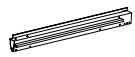


J 4x

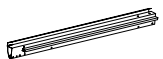




B 2x



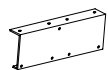
B1 2x



C 2x



C1 2x



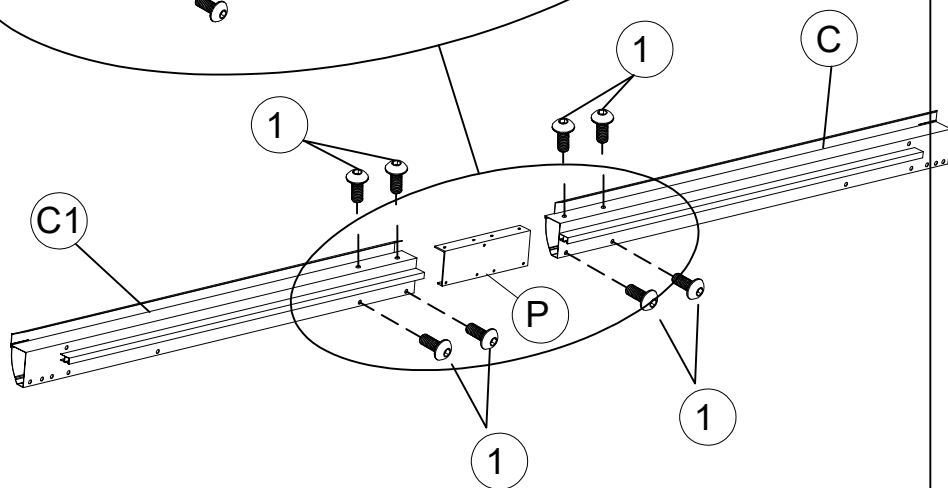
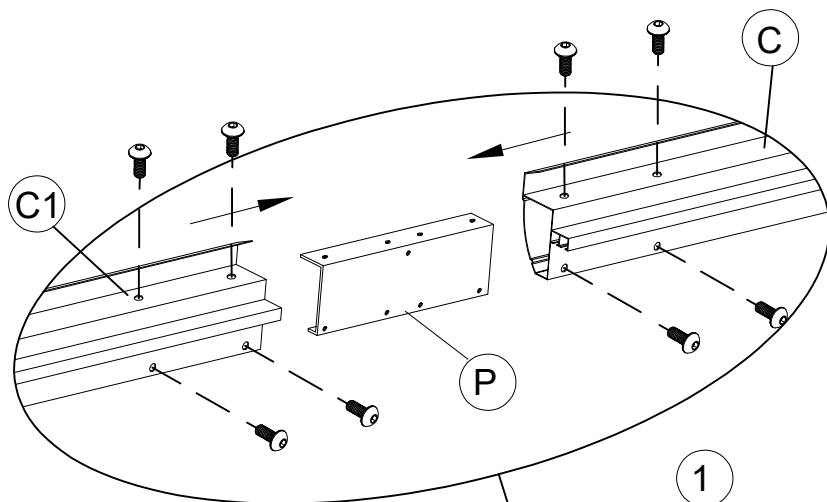
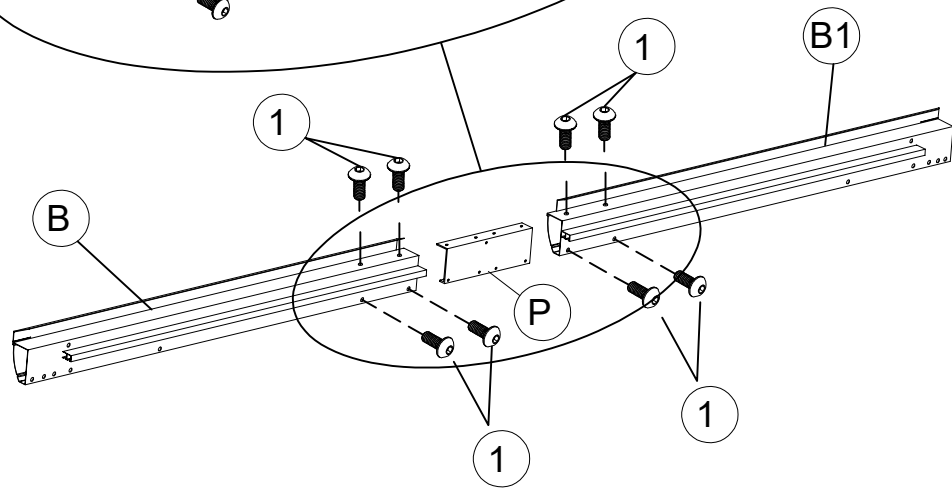
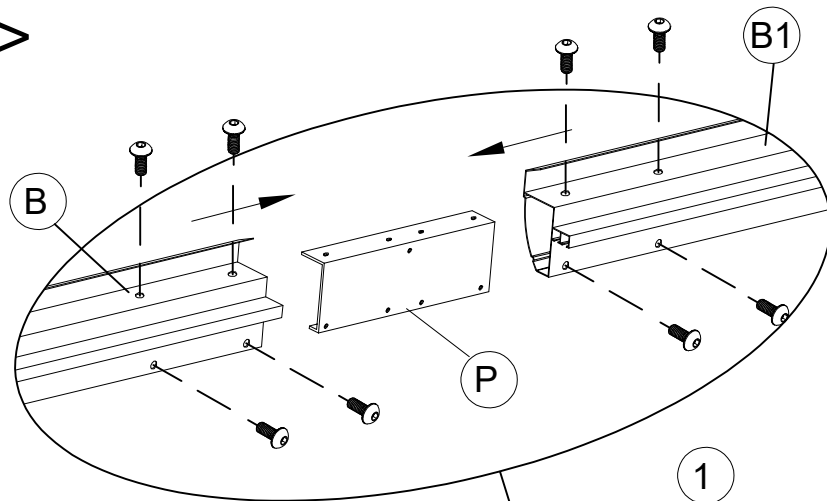
P 4x



1 32x M6x16

5

<2>





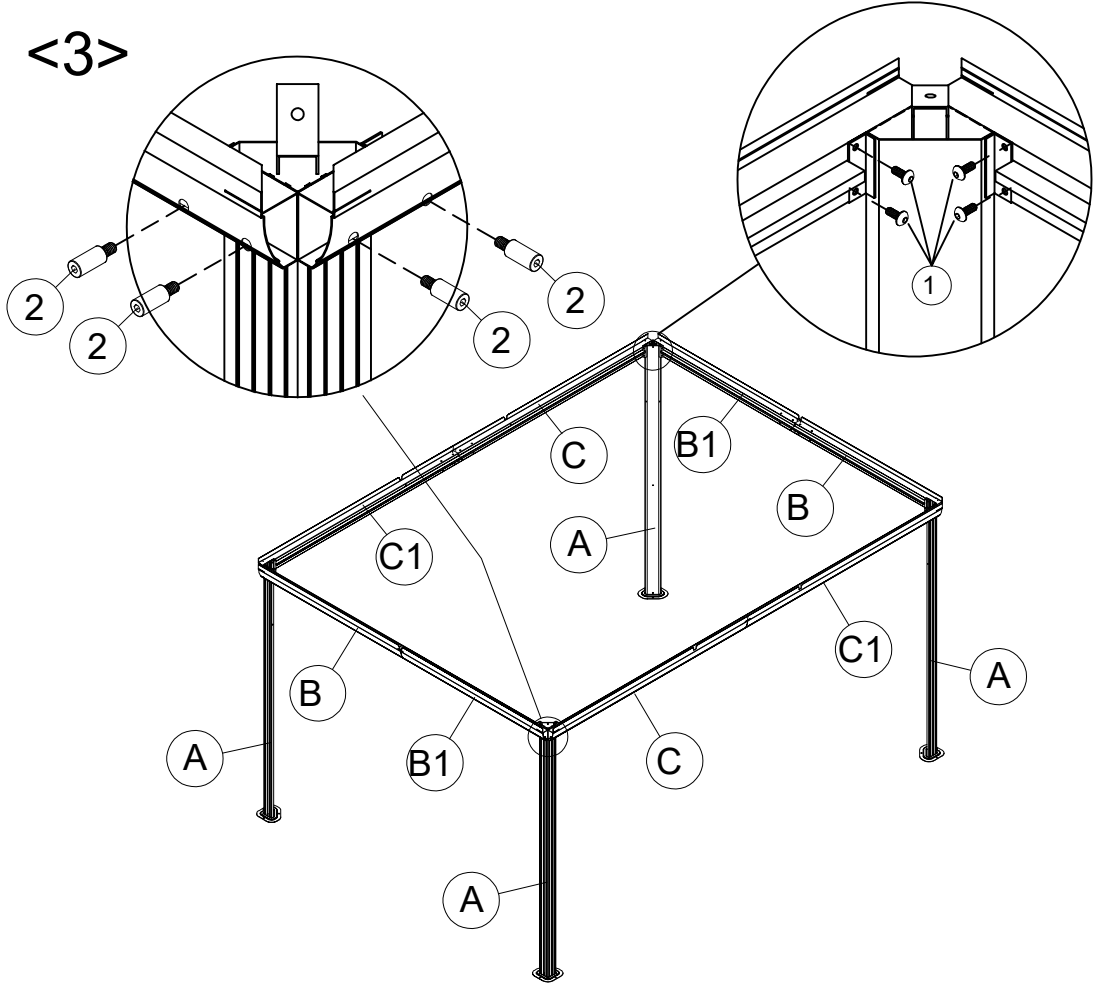
M6x16

1 16x



2 16x

<3>



H 4x



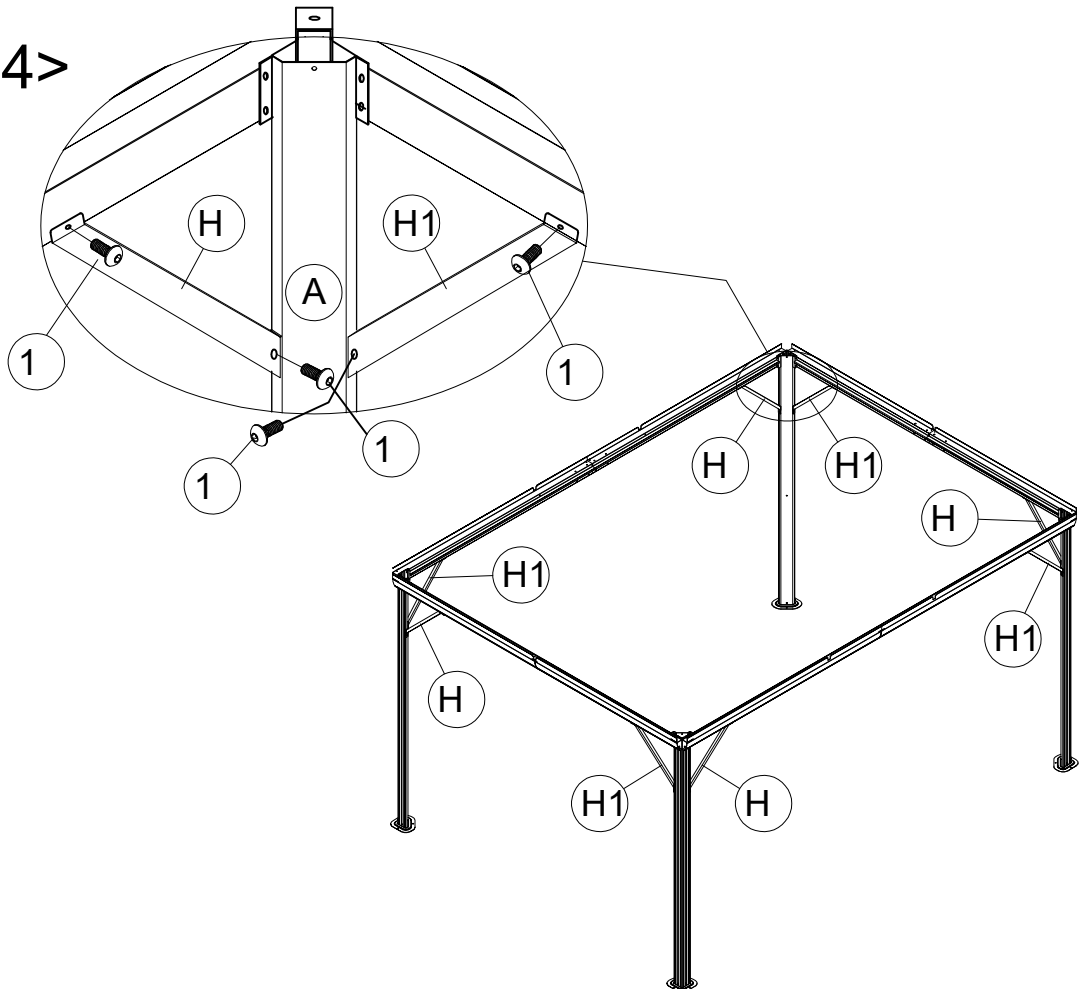
H1 4x



M6x16

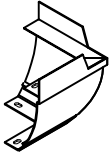
1 16x

<4>

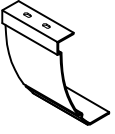


6

<5>



(K) 4x



(K1) 4x



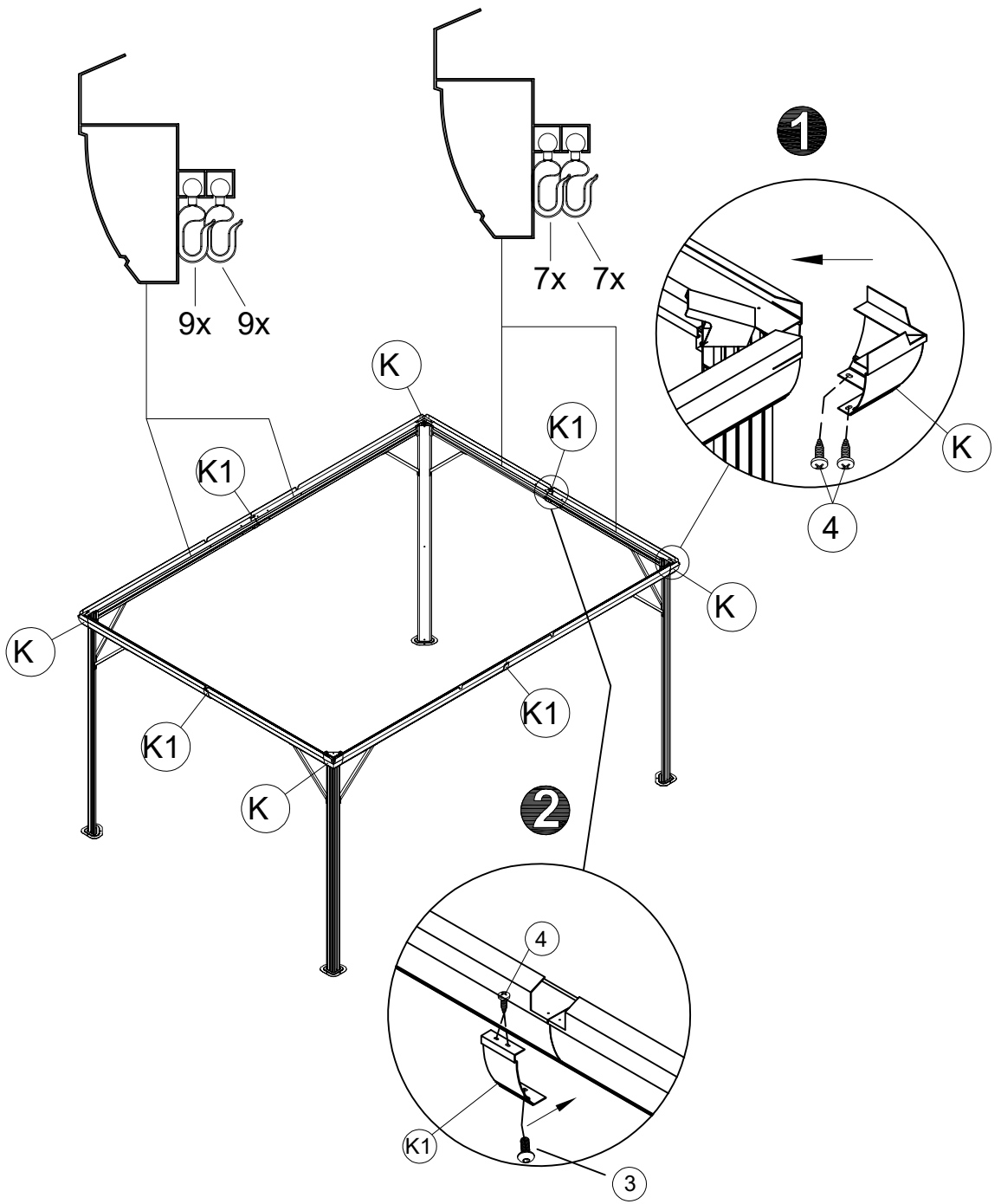
(U) 128x



(3) 4x M5x12



(4) 16x ST4.8 x12

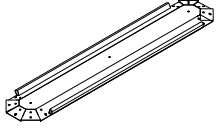


7



<6>

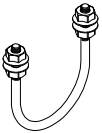
D 4x



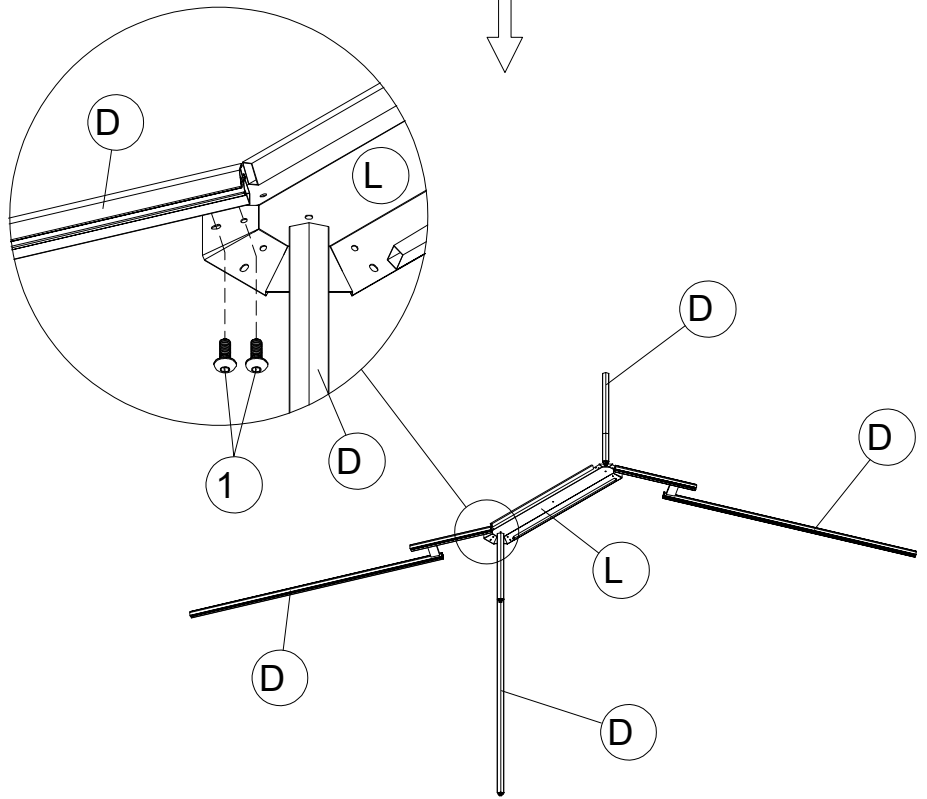
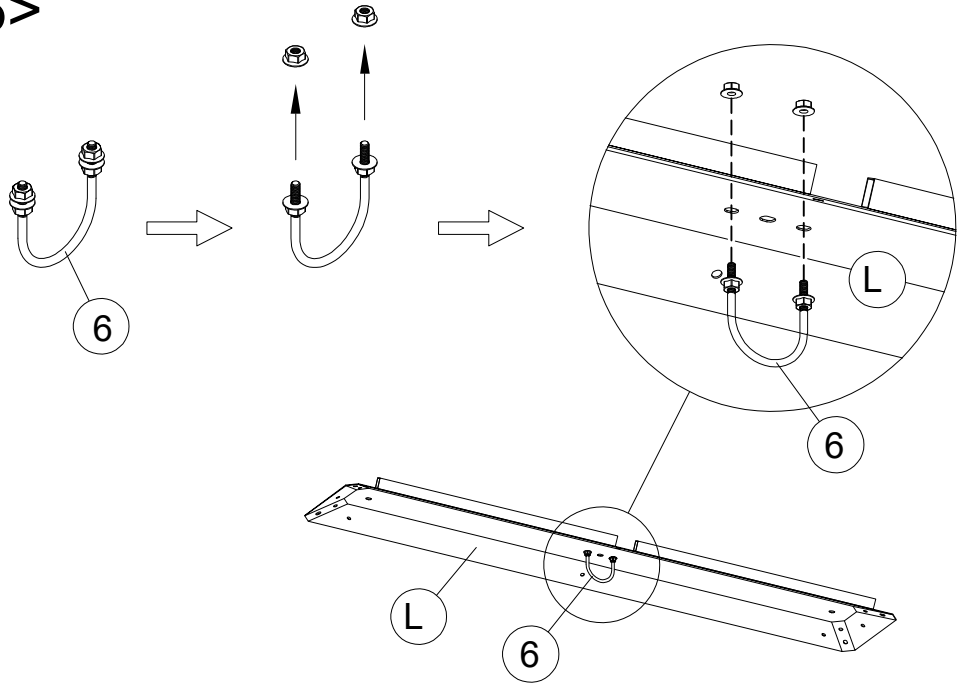
L 1x



1 8x M6x16



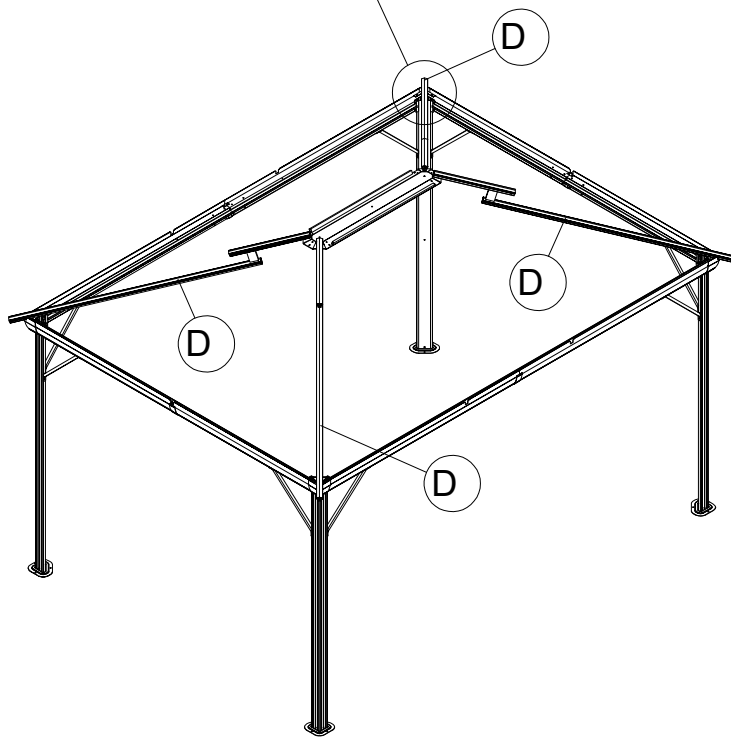
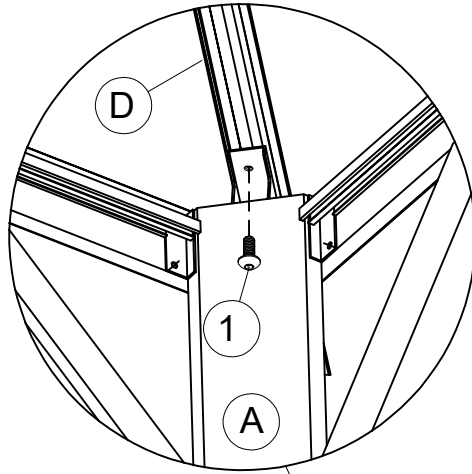
6 1x





<7>

1 4x M6x16



9

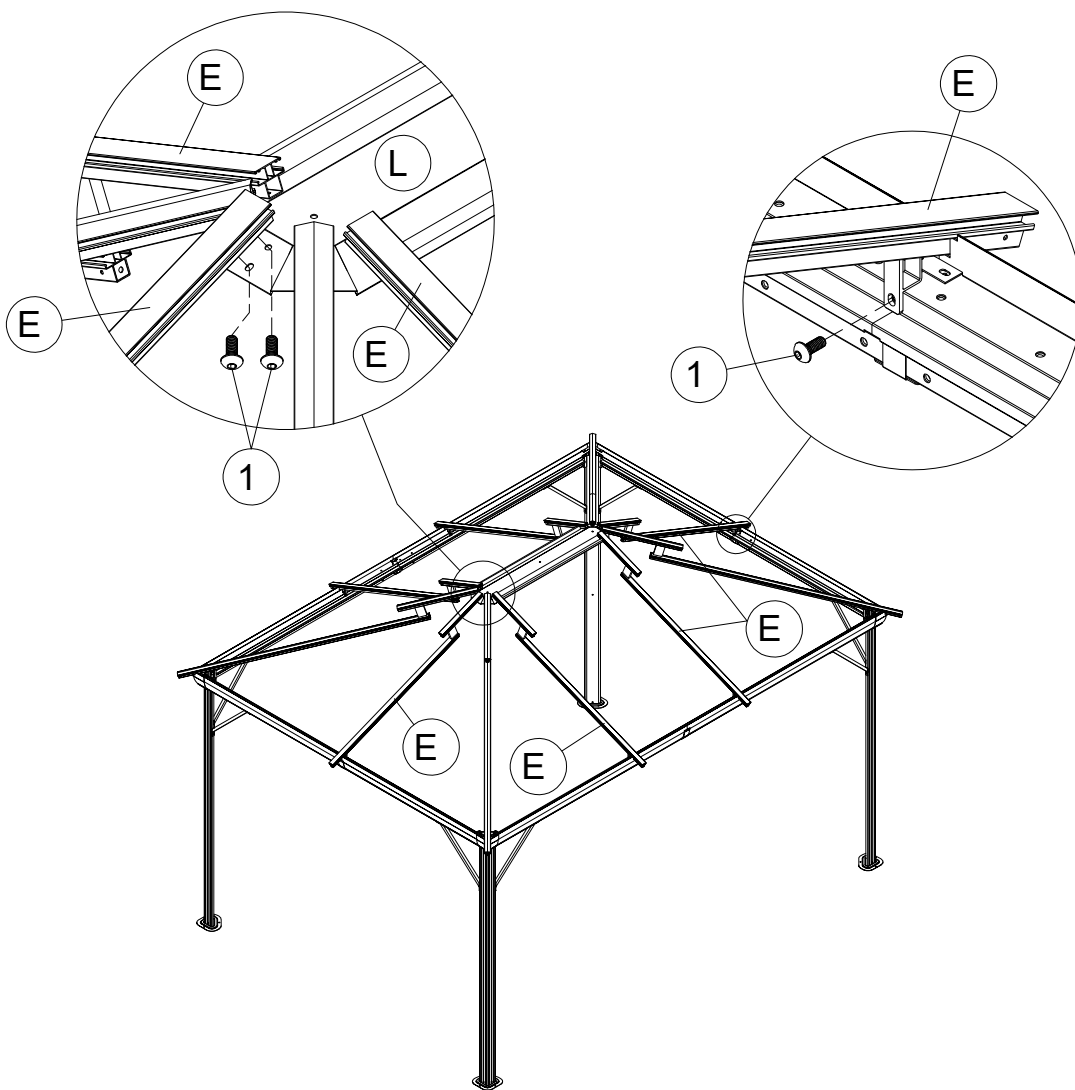


<8>

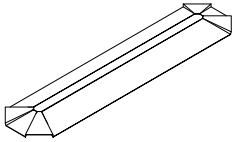
E 6x



1 18x M6x16



10



(M) 1x

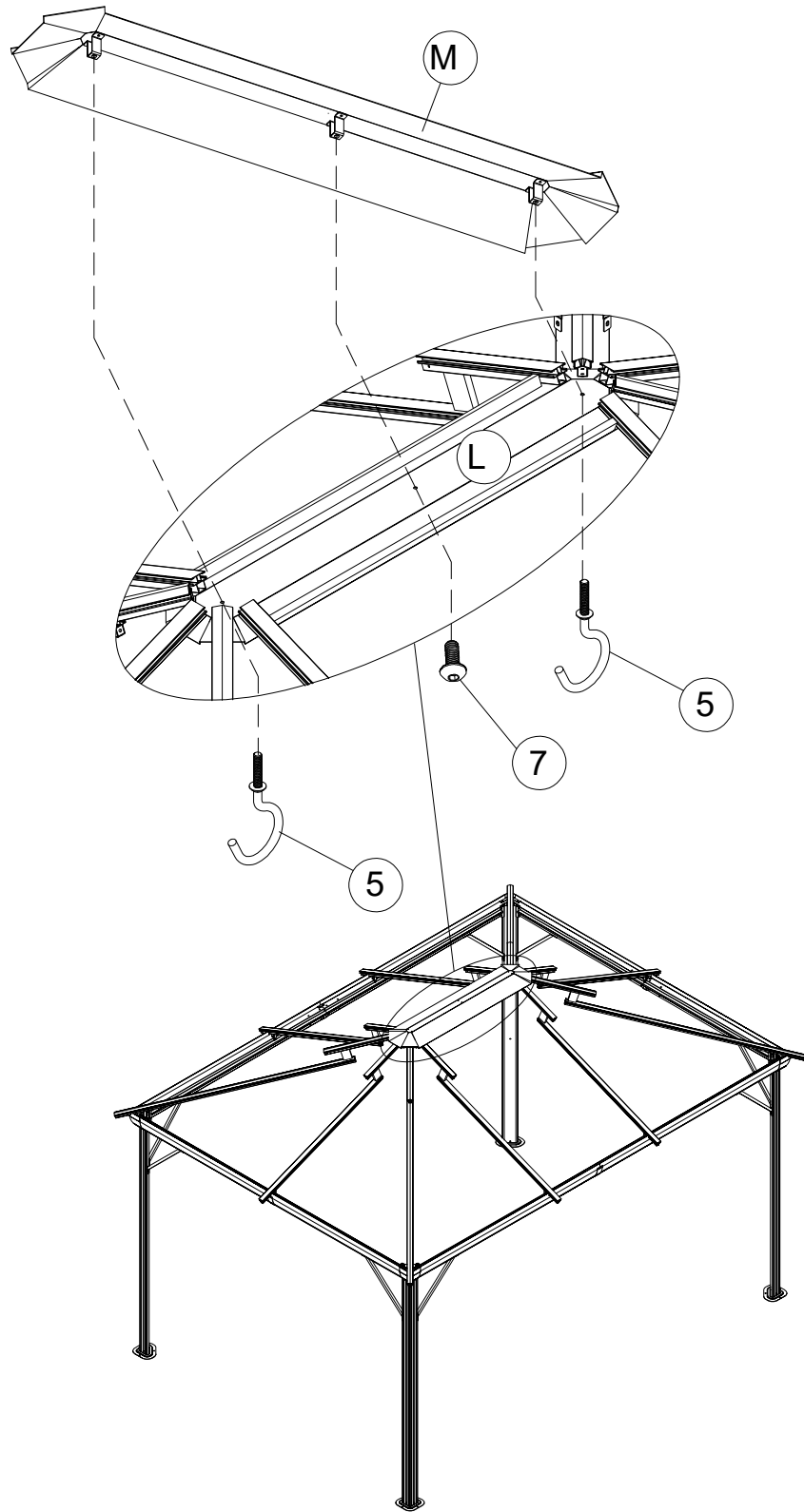


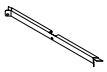
(7) 1x M6x25



(5) 2x

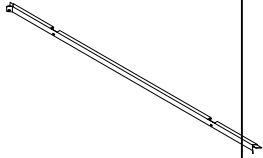
<9>





<10>

G5 2x



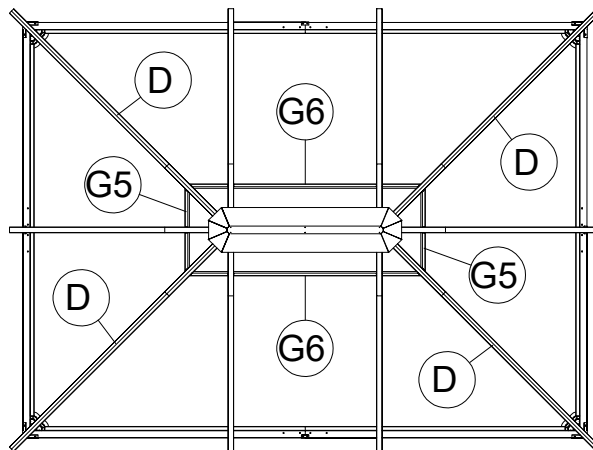
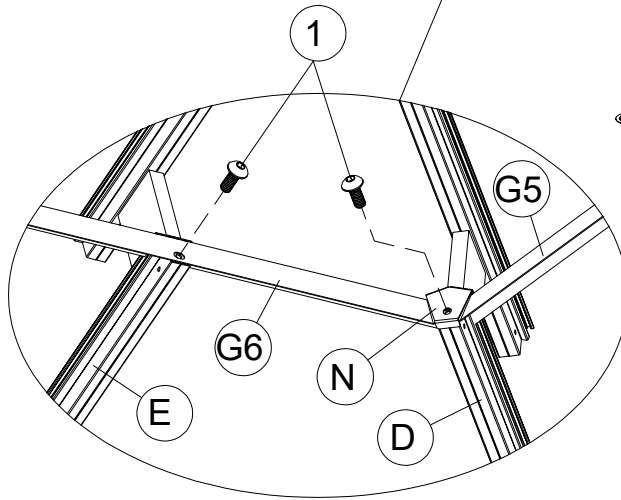
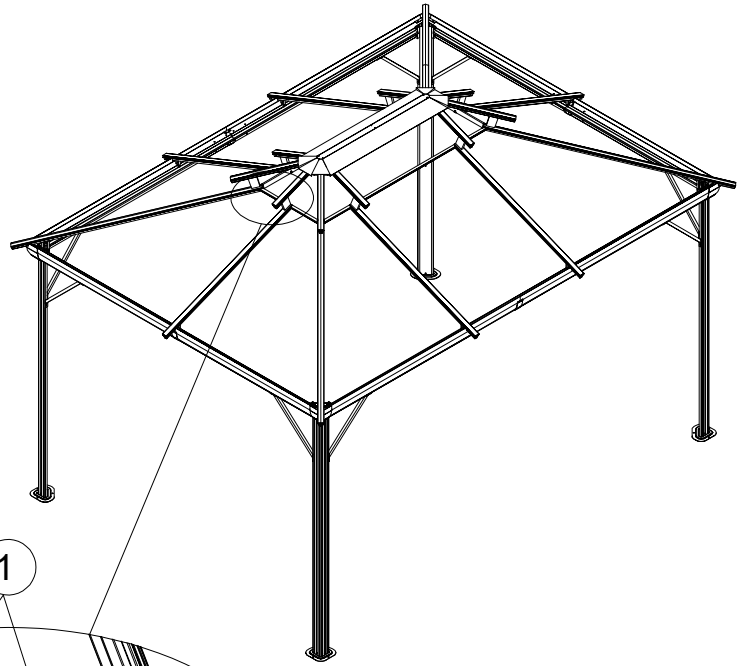
G6 2x



N 4x



1 10x M6x16





<11>

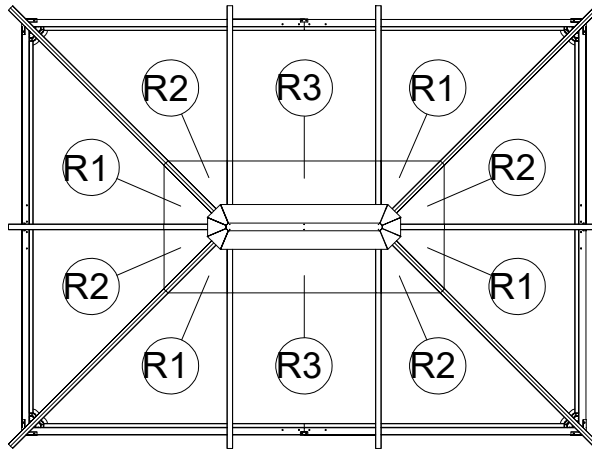
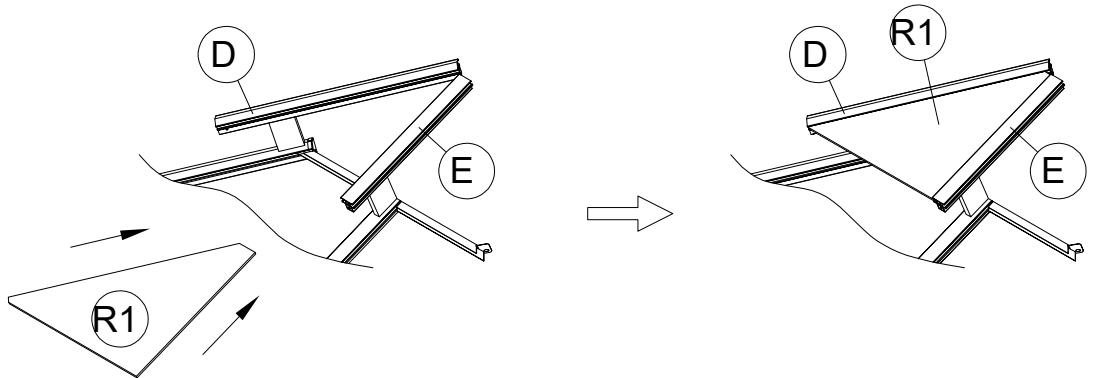
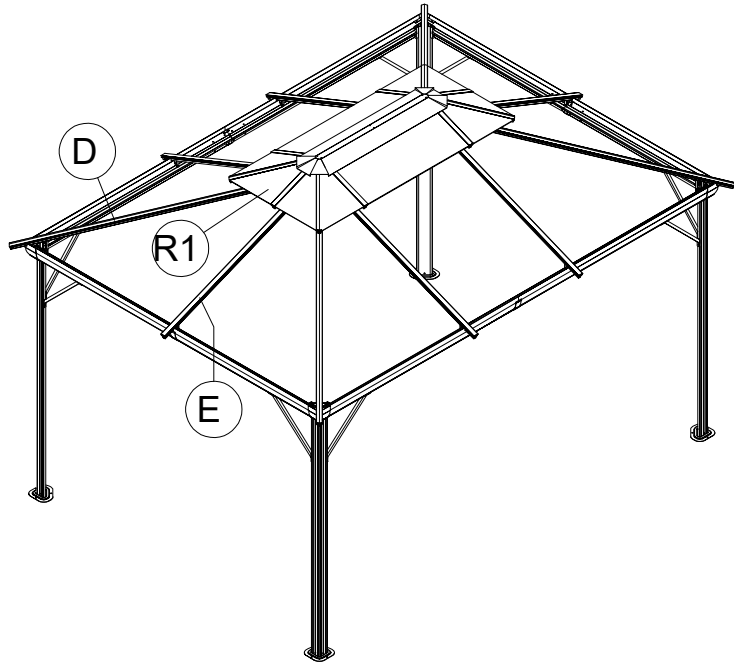
R1 4x



R2 4x



R3 2x





<12>

G3 2x



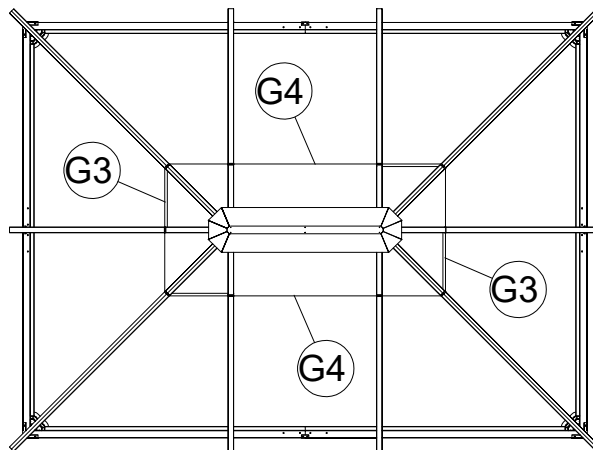
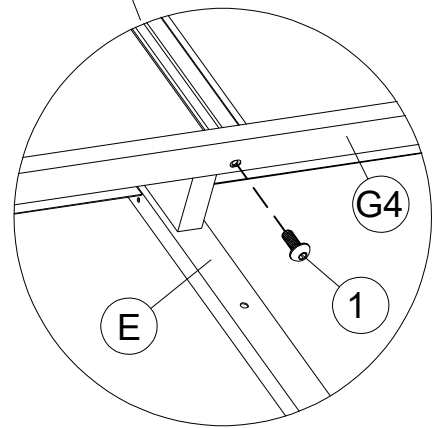
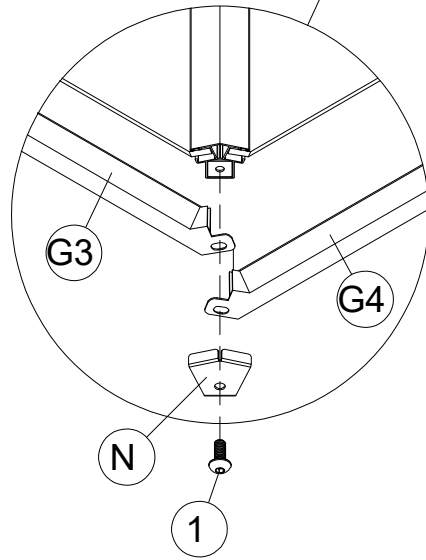
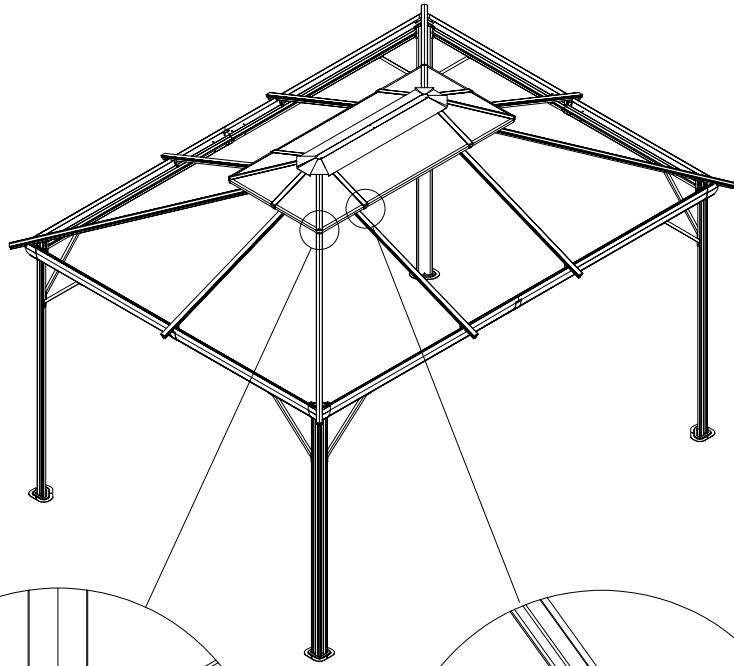
G4 2x



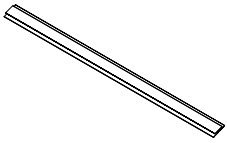
N 4x



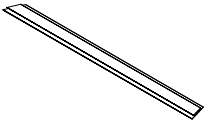
1 10x M6x16



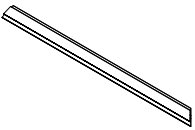
<13>



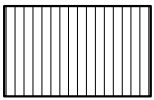
F 2x



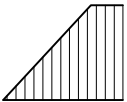
F1 4x



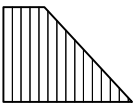
F2 4x



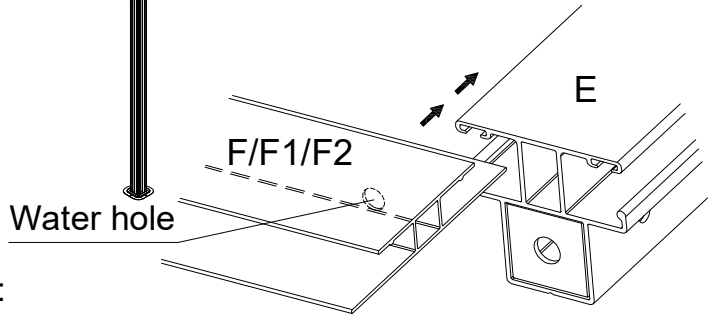
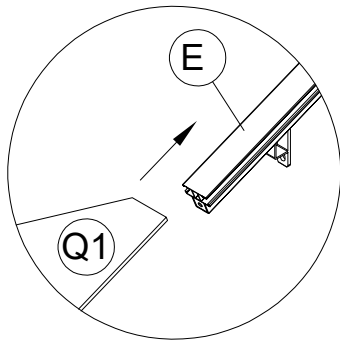
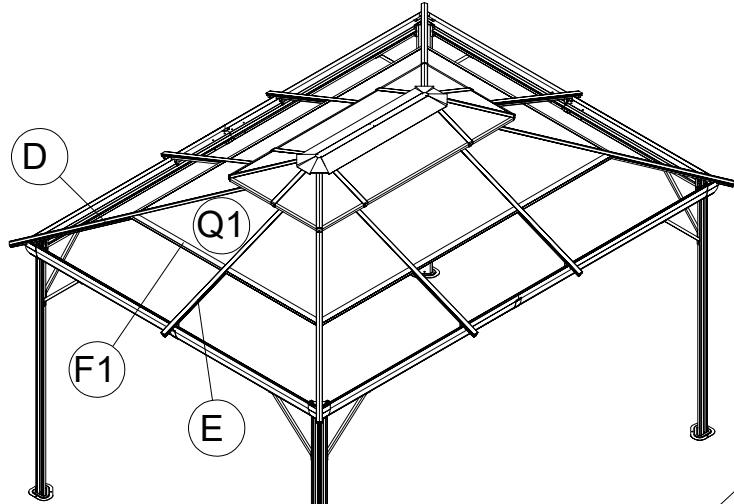
Q 2x



Q1 4x

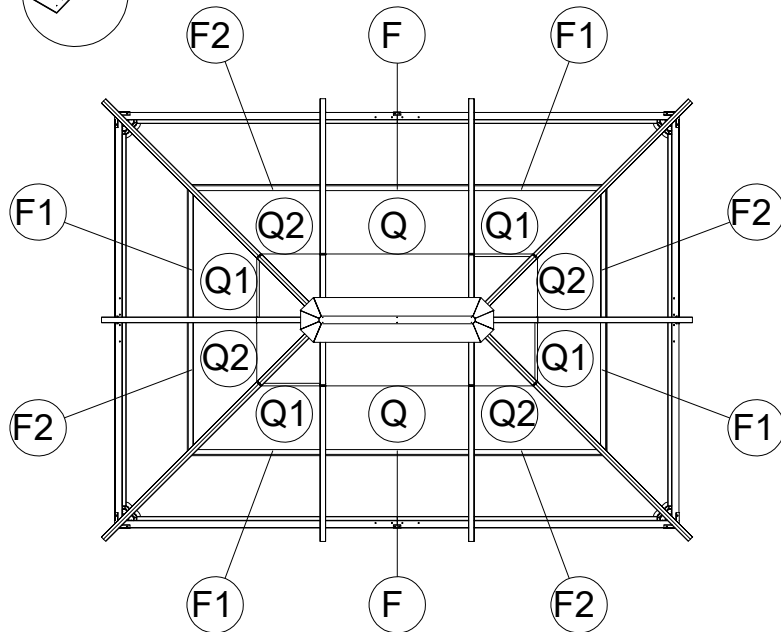
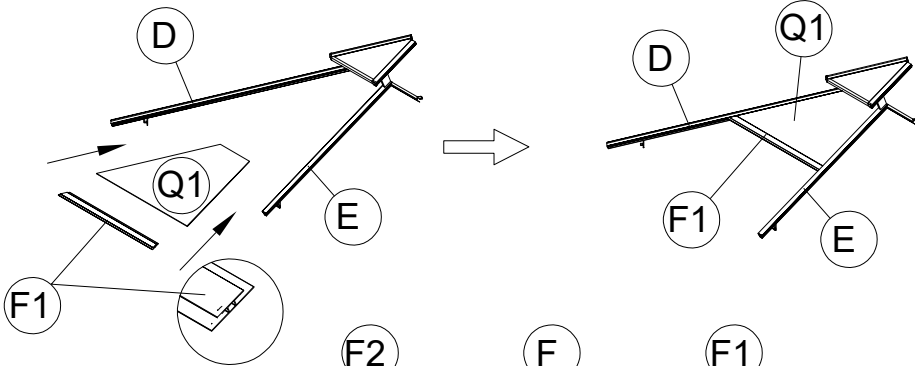


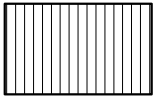
Q2 4x



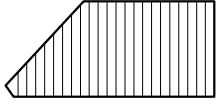
Note:

1. When F1 or F2 or F slide into the E, the wide side must be face down and narrow side face up, otherwise will cause water leaking
2. F or F1 or F2 the water holes inside of the tube must be face up. otherwise will cause water leaking

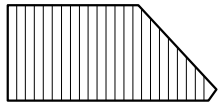




Q 2x

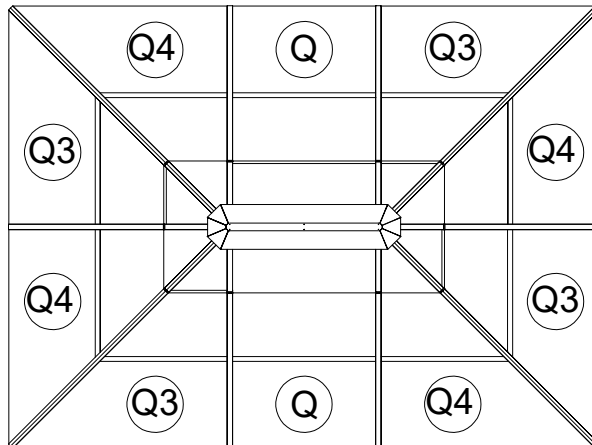
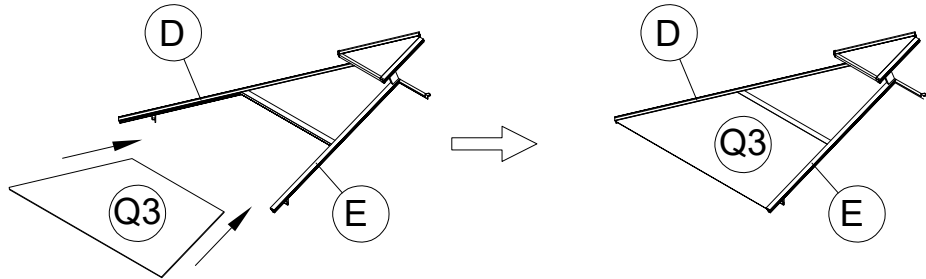
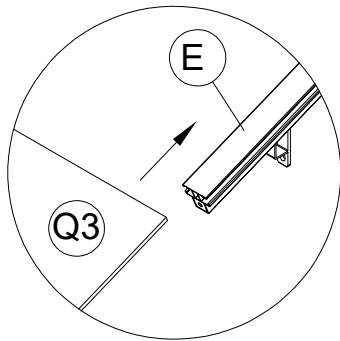
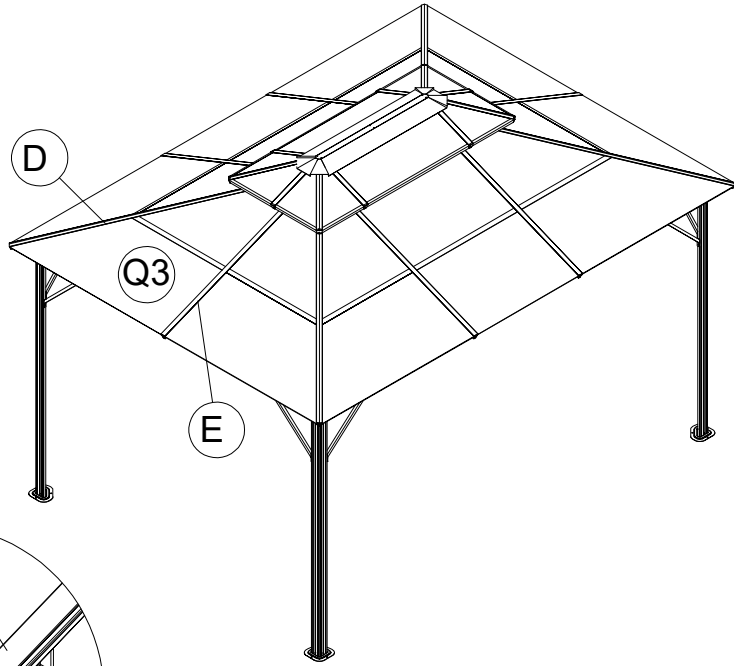


Q3 4x

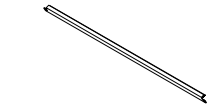


Q4 4x

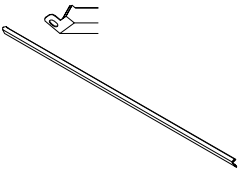
<14>



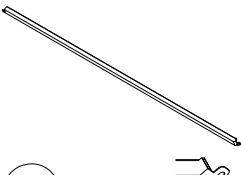
<15>



G 2x



G1 4x



G2 4x



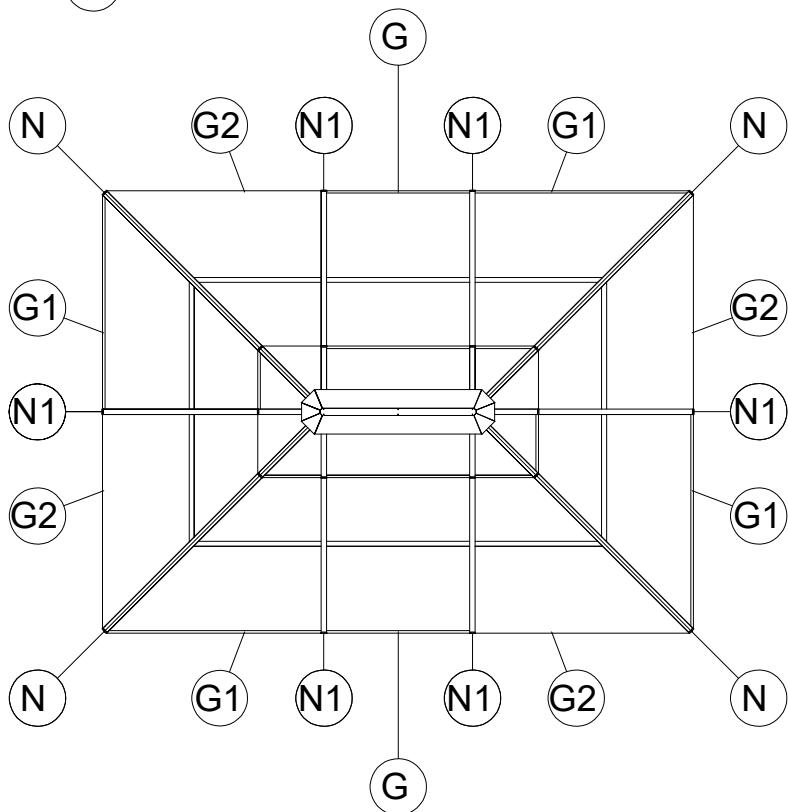
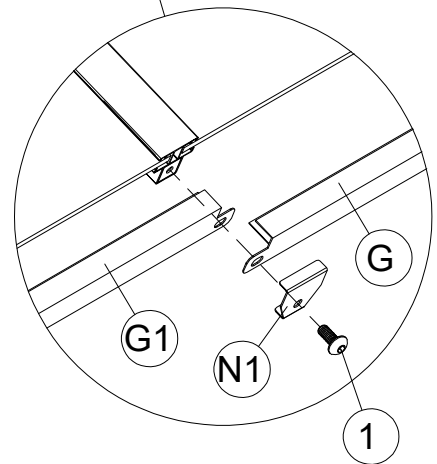
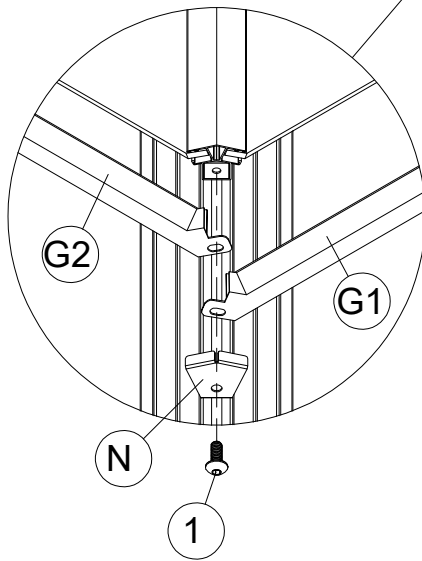
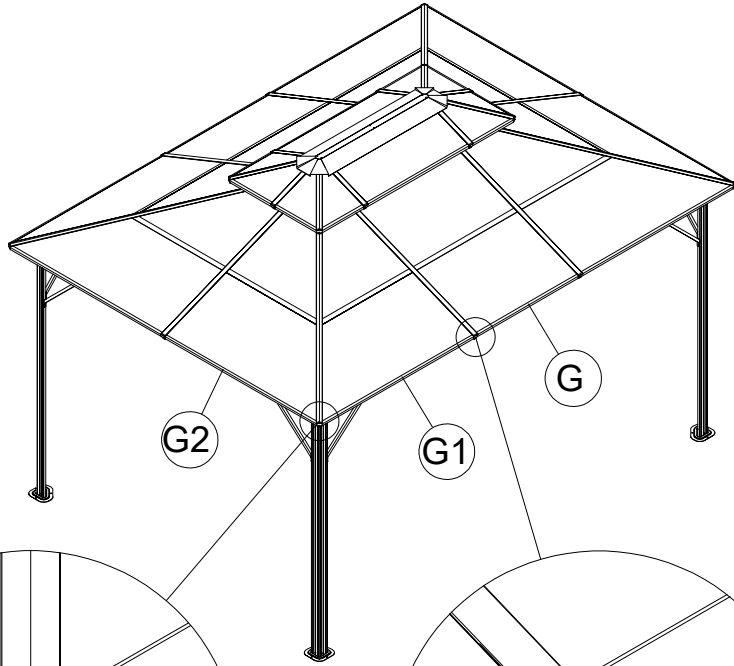
N 4x

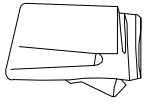


N1 6x



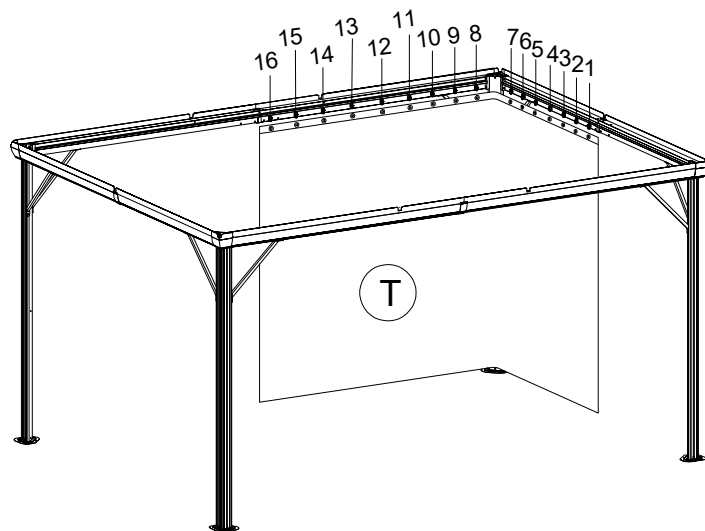
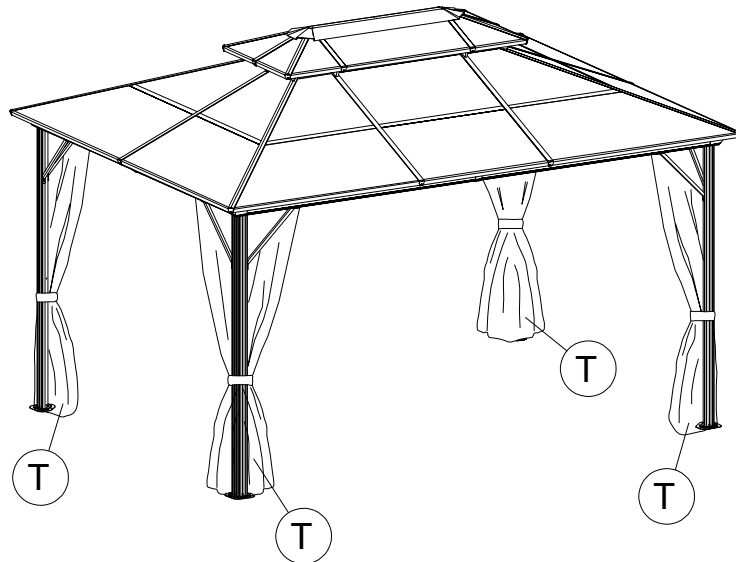
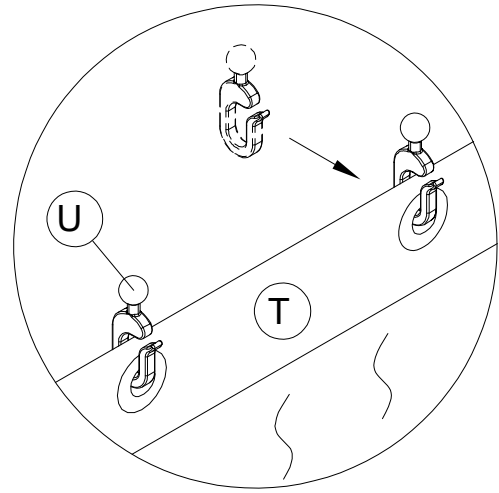
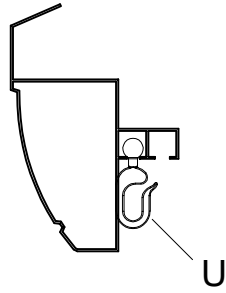
1 10x M6x16

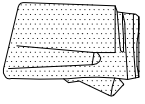




<16>

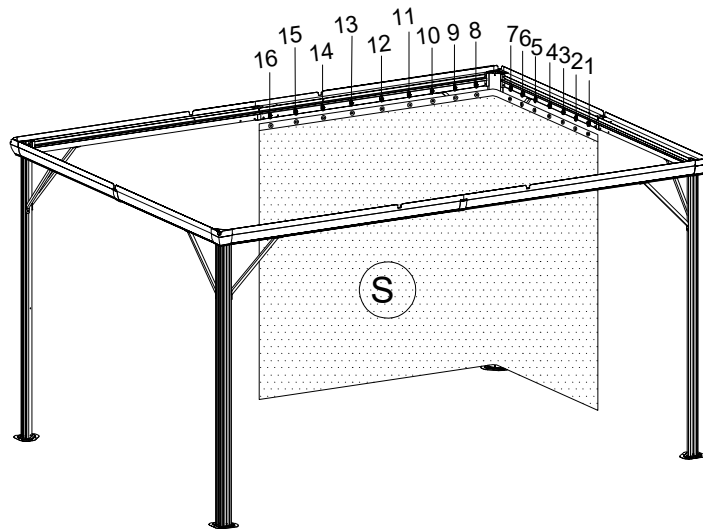
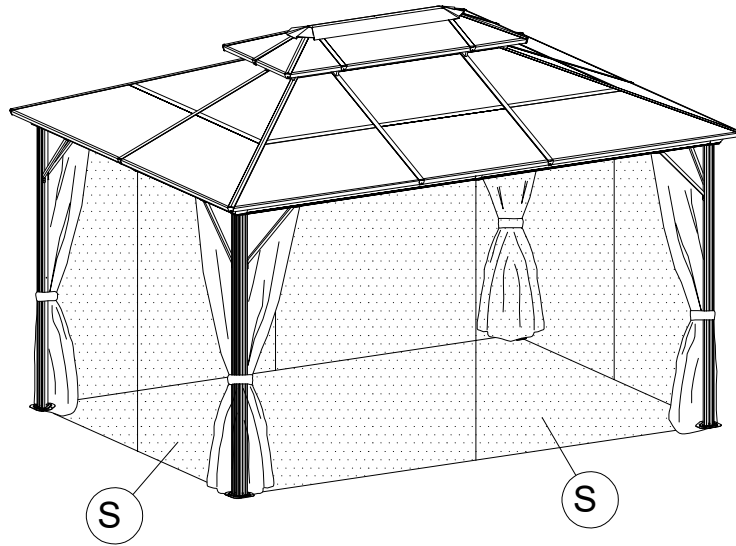
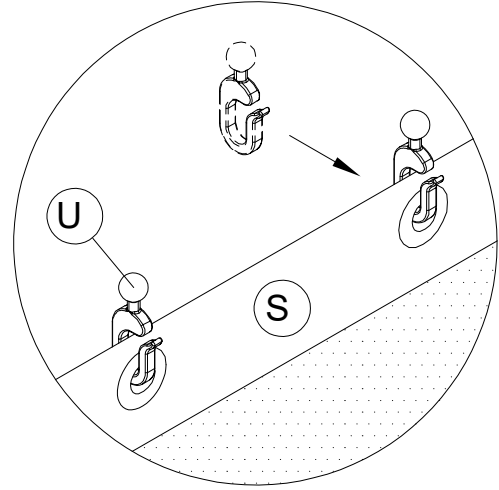
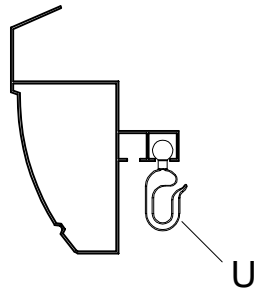
T 4x





<17>

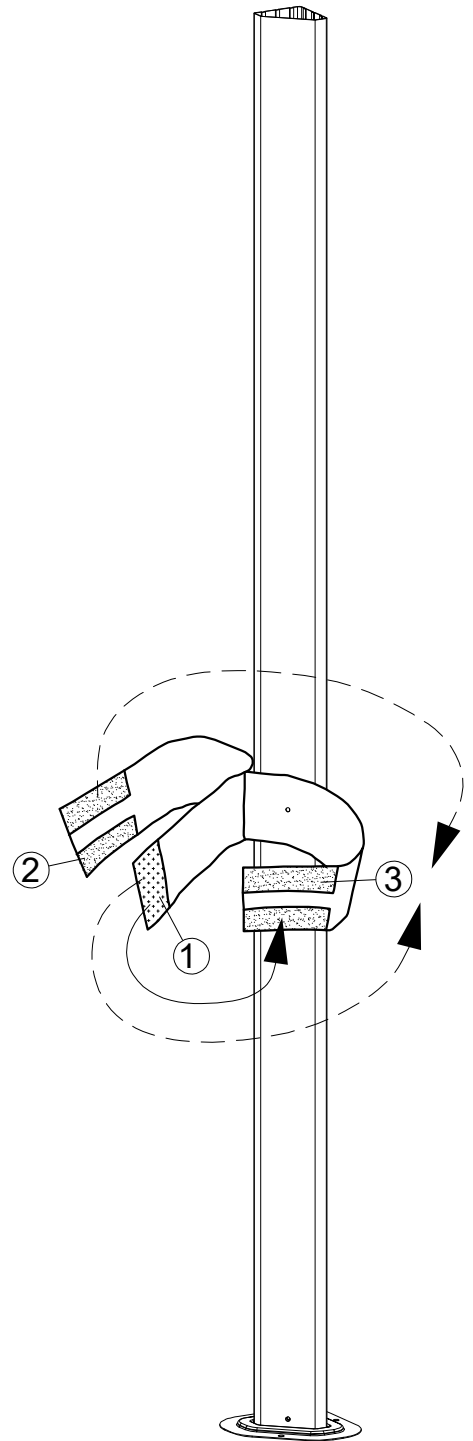
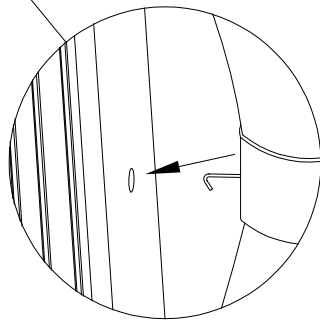
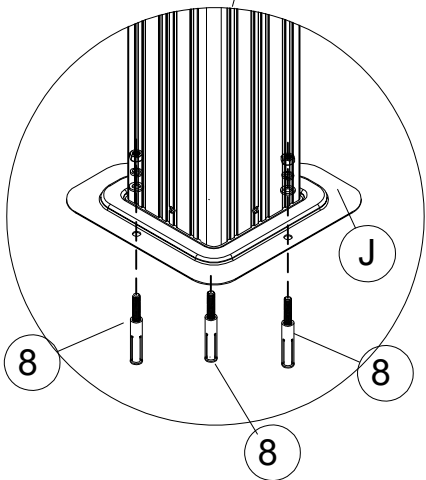
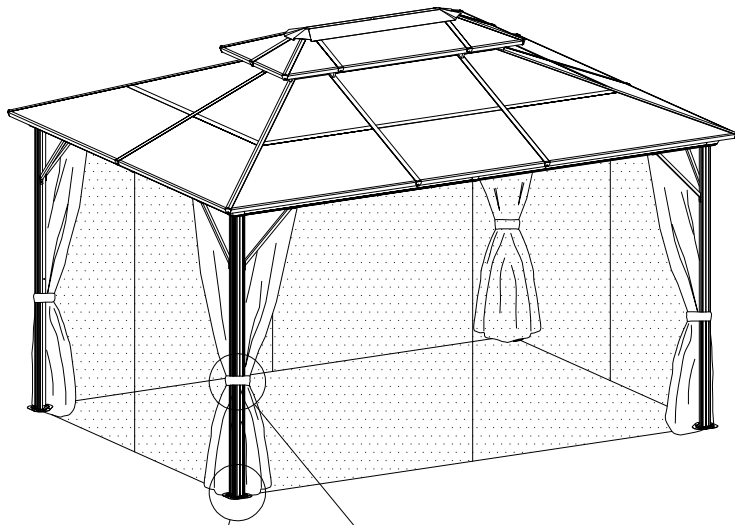
S 4x





<18>

8 12x



Note:

1. 1 stick 2 tie S and T together
2. 1 stick 3 towards back tie T
3. 1 stick 3 towards front tie S

Box A		Box B		Box C	
Part #	Qty	Part #	Qty	Part #	Qty
A	4	B1	2	Q	4
B	2	C	2	Q1	4
E	4	C1	2	Q2	4
F	2	D	4	Q3	4
F1	4	E	2	Q4	4
F2	4	H	4	R1	4
G	2	H1	4	R2	4
G1	4	K	4	R3	2
G2	4	N	12		
G3	2	N1	6		
S	4	P	4		
G5	2	G4	2		
G6	2	U	128		
K1	4	J	4		
S4	1	L	1		
S6	1	M	1		
T	4				
①	136				
②	16				
③	4				
④	16				
⑤	2				
⑥	1				
⑦	1				
⑧	12				