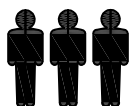
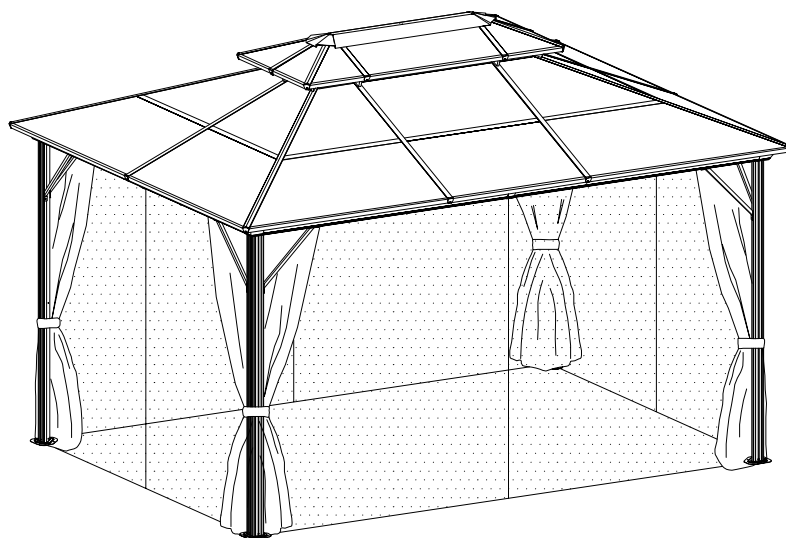


10 x 13 FT



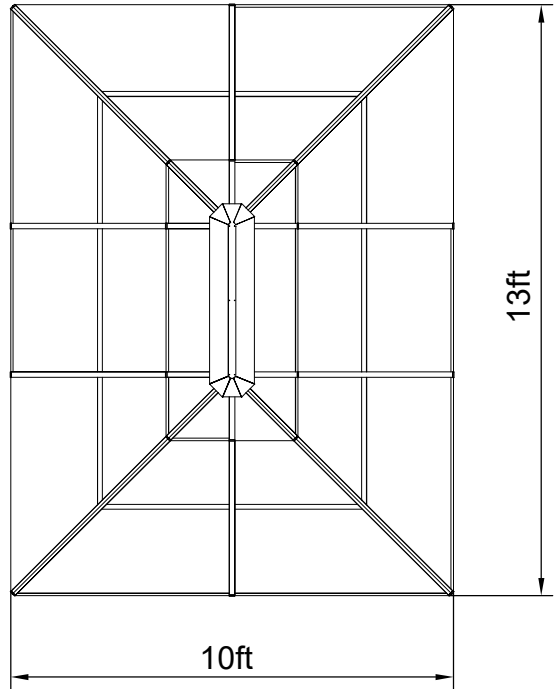
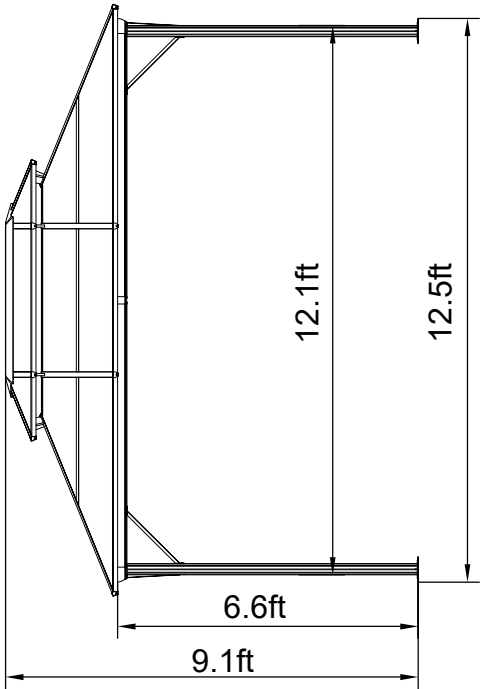
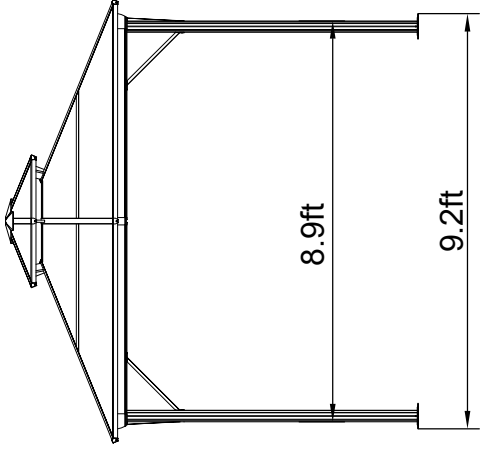
HWG-011JS-1



At least need 3 people work together

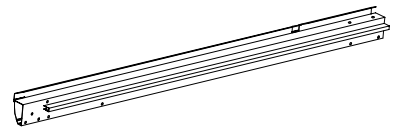
REQUIRED TOOLS



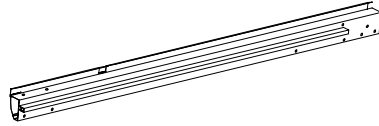




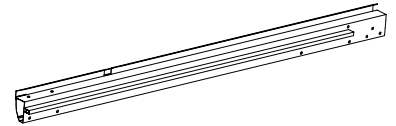
A 4x



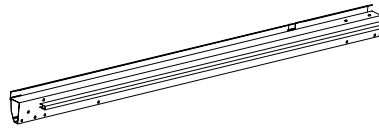
B 2x



B1 2x



C 2x



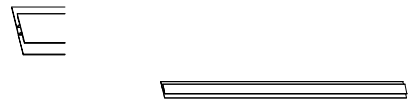
C1 2x



D 4x



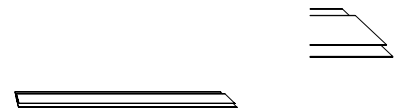
E 6x



F 2x



F1 4x



F2 4x



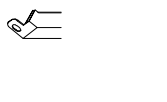
G 2x



G1 4x



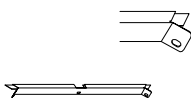
G2 4x



G3 2x



G4 2x



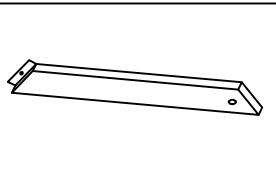
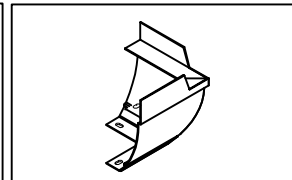
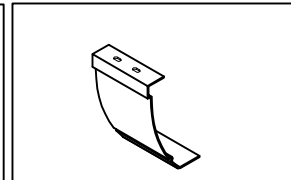
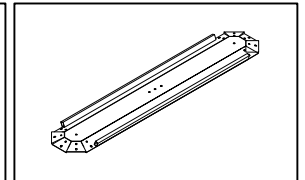
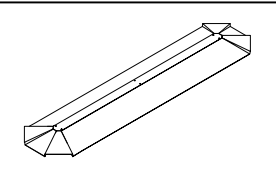
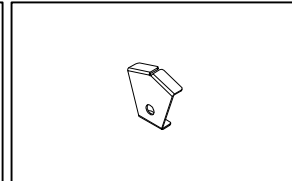
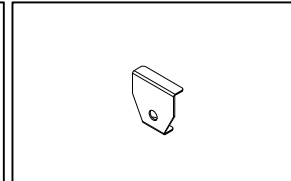
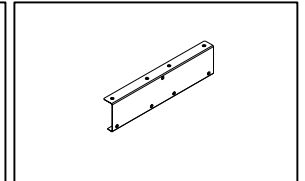
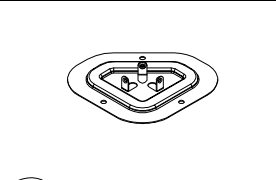
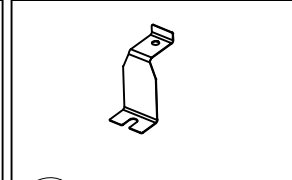
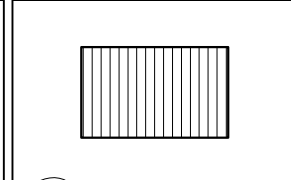
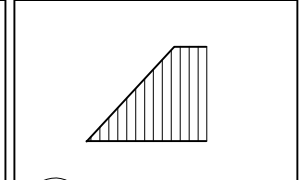
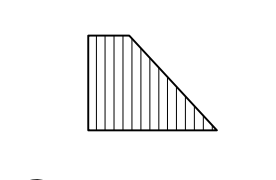
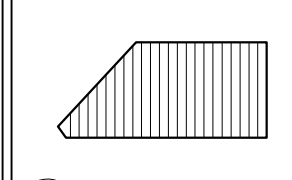
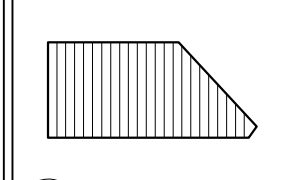
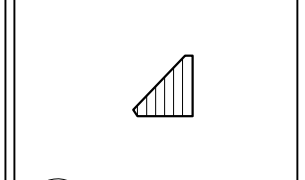
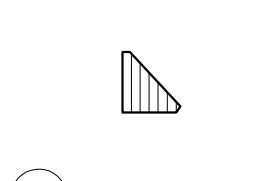
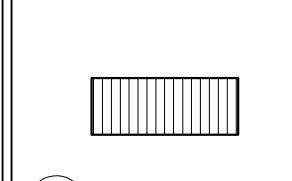
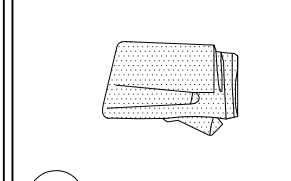
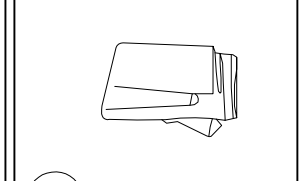
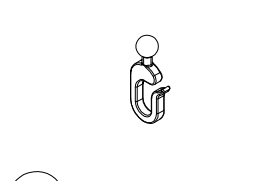
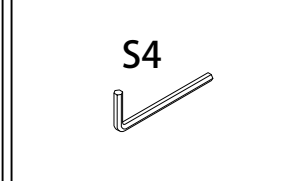
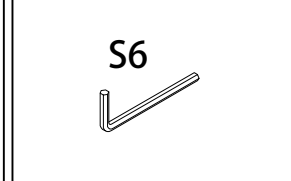
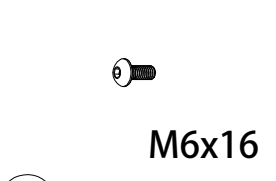
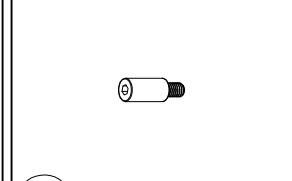
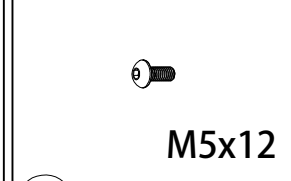

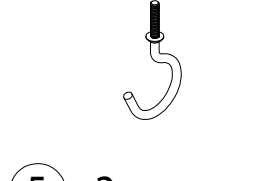
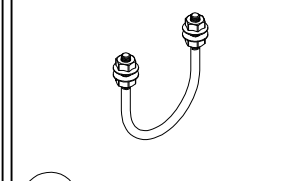

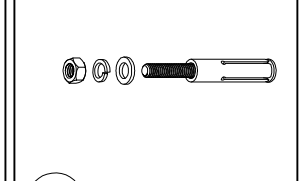
G5 2x



G6 2x



H 4x

			
H1 4x	K 4x	K1 4x	L 1x
			
M 1x	N 12x	N1 6x	P 4x
			
J 4x	V 4x	Q 4x	Q1 4x
			
Q2 4x	Q3 4x	Q4 4x	R1 4x
			
R2 4x	R3 2x	S 4x	T 4x
			
U 112x	S4 1x	S6 1x	
			
M6x16 1 136x	2 16x	M5x12 3 4x	ST4.8x12 4 16x
			
5 2x	6 1x	M6x25 7 1x	8 12x

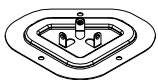


<1>

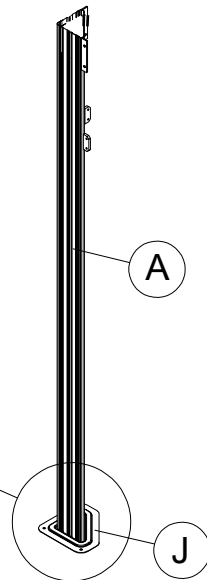
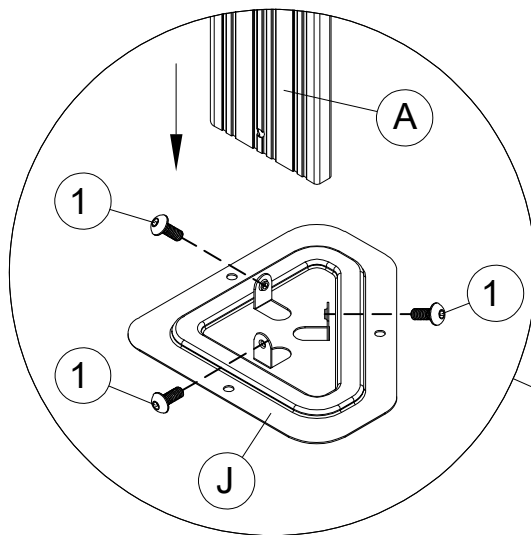
A 4x



1 12x M6x16

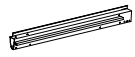


J 4x

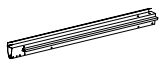




B 2x



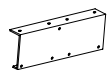
B1 2x



C 2x



C1 2x

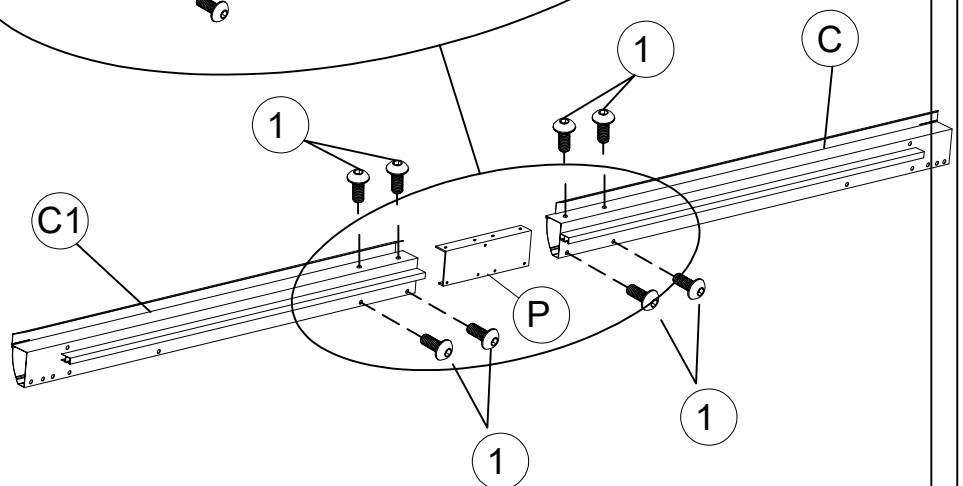
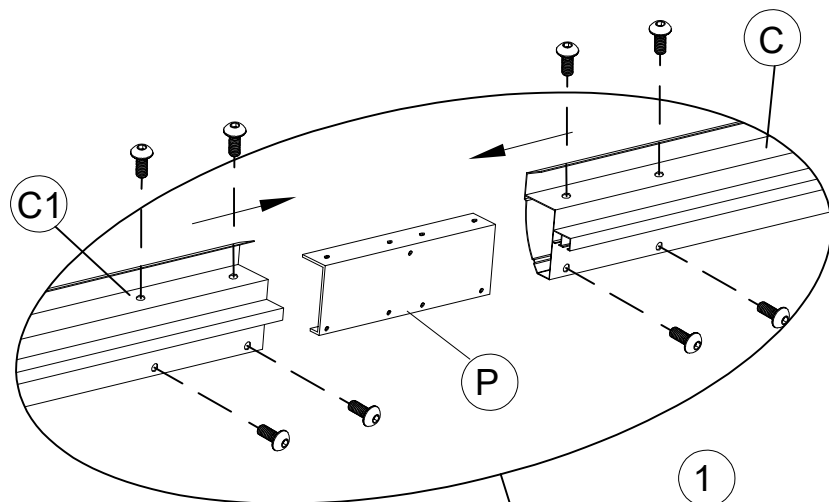
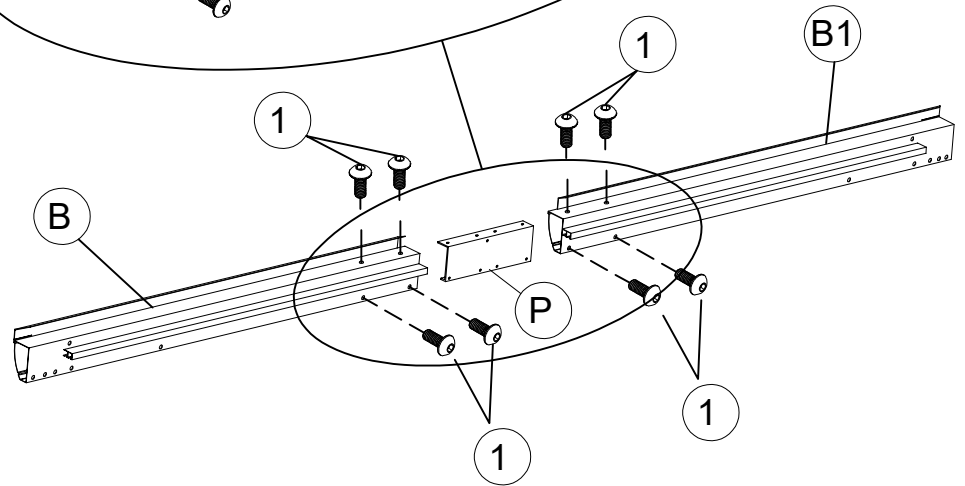
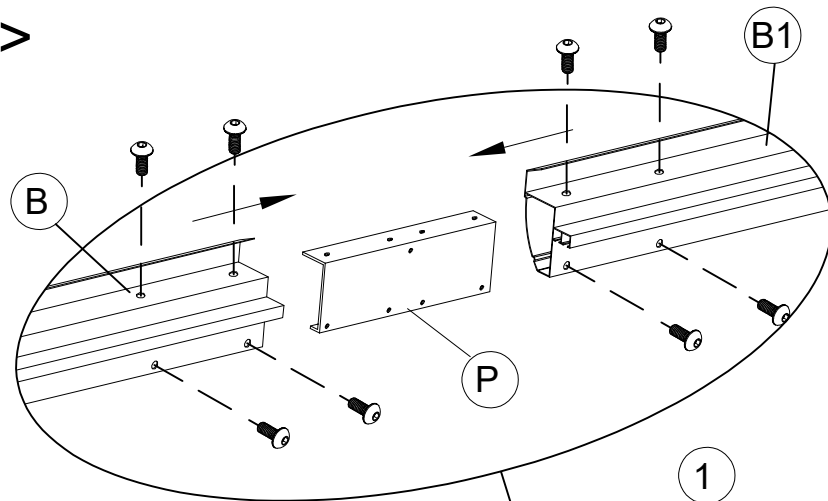


P 4x



1 32x M6x16

<2>



5



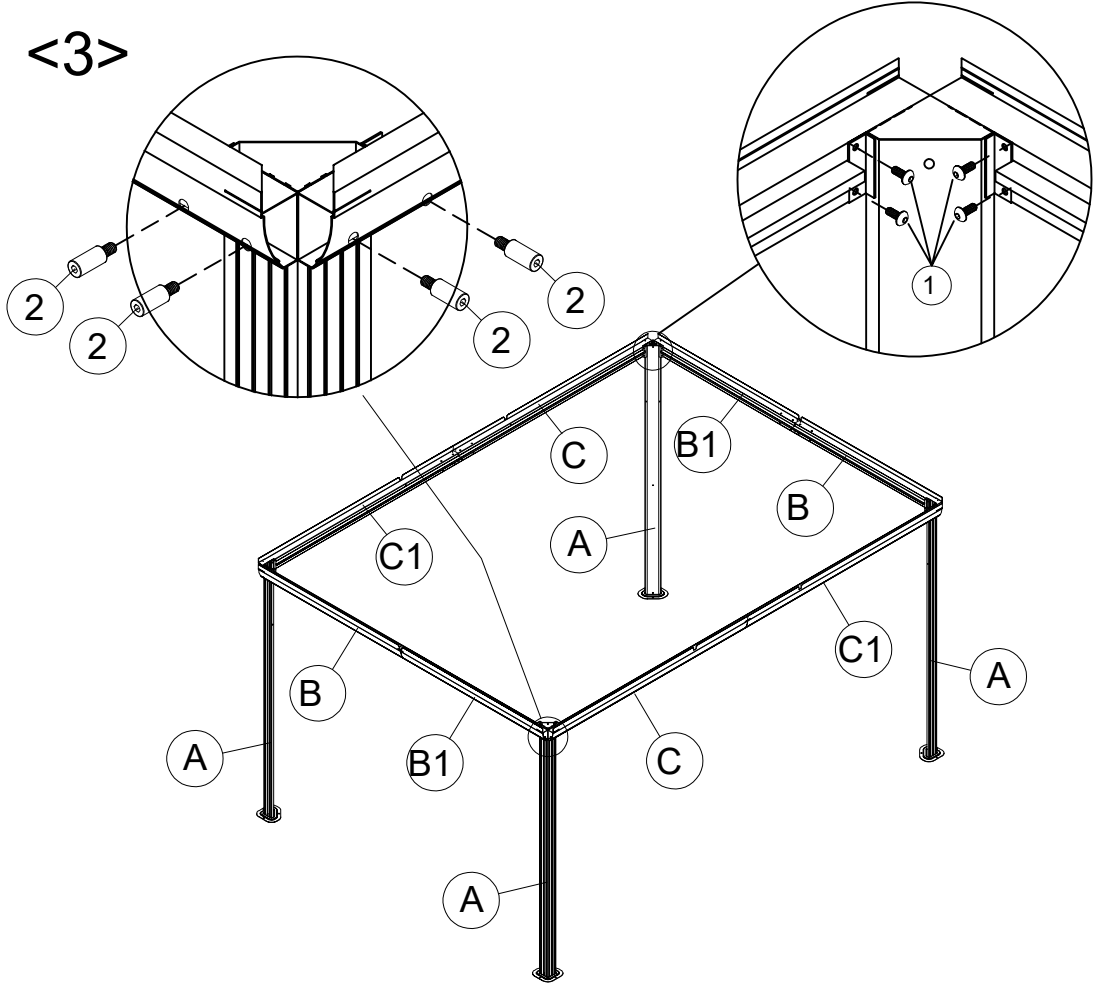
M6x16

1 16x



2 16x

<3>



H 4x



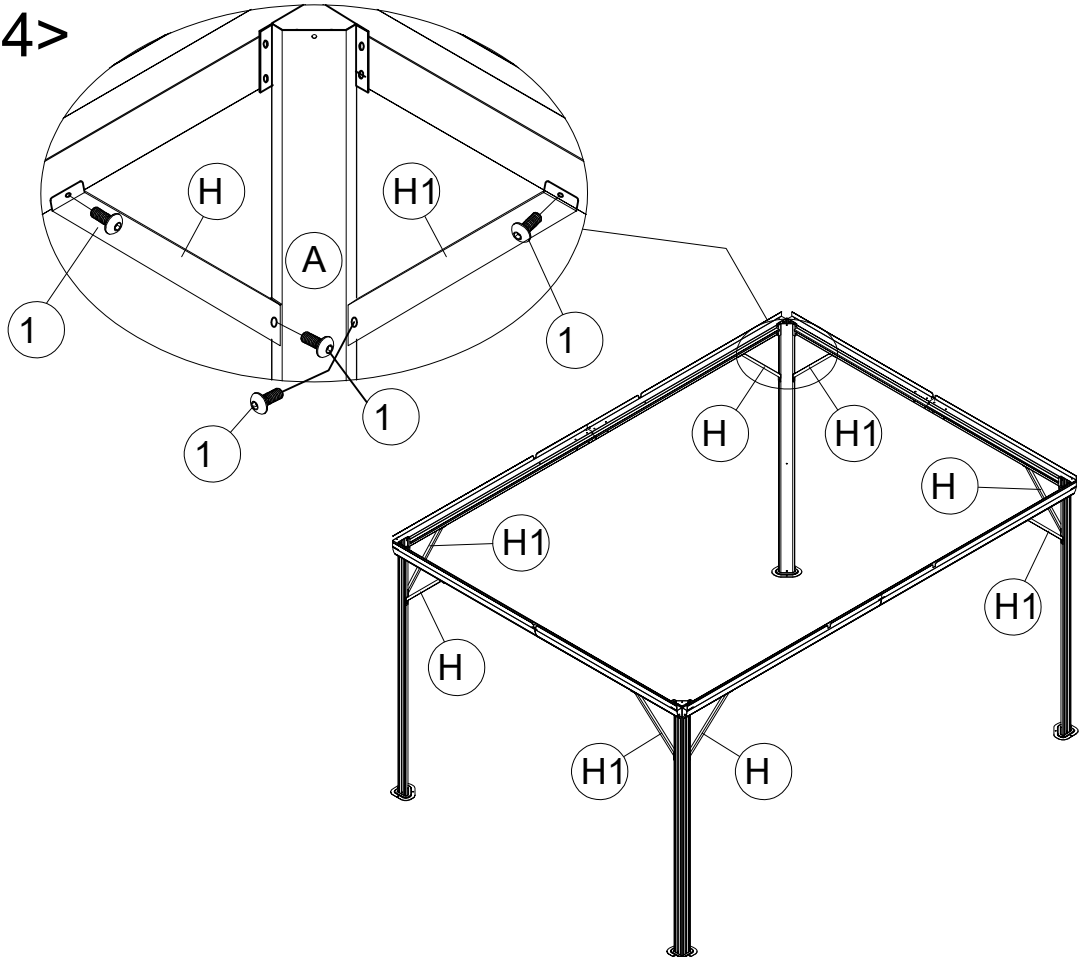
H1 4x



M6x16

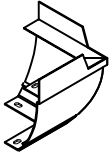
1 16x

<4>

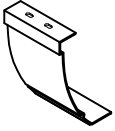


6

<5>



K 4x



K1 4x



V 4x



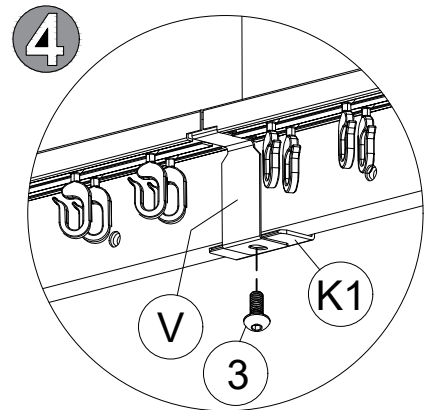
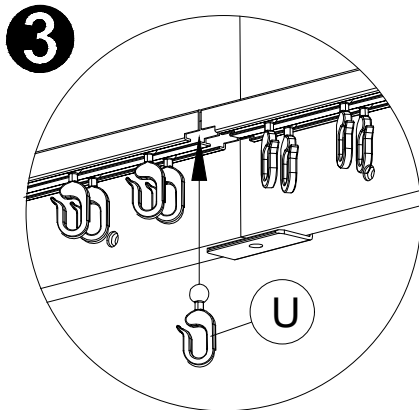
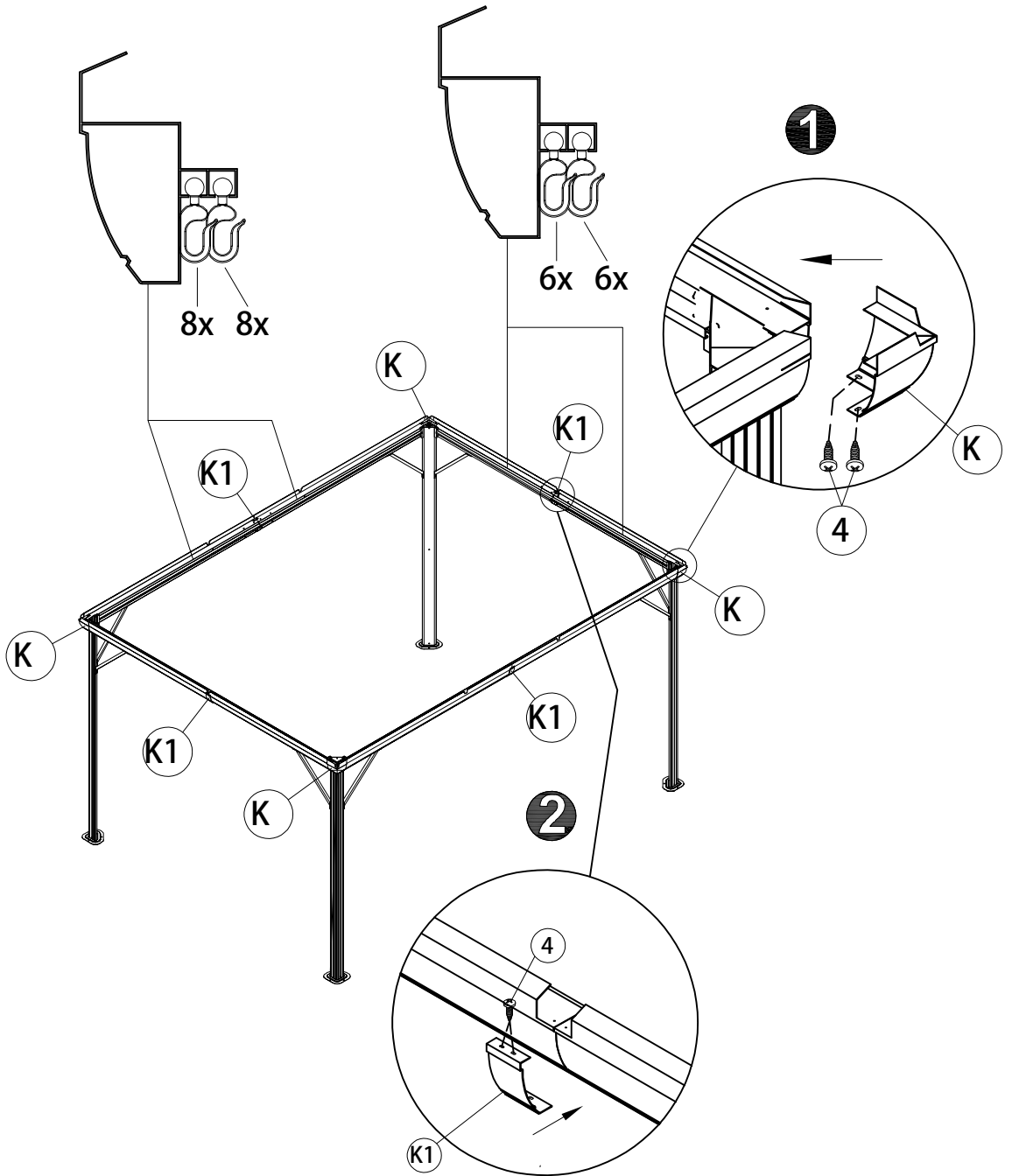
U 112x



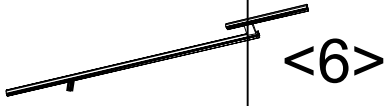
3 4x M5x12



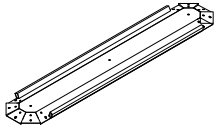
4 16x ST4.8 x12



7



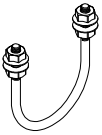
D 4x



L 1x

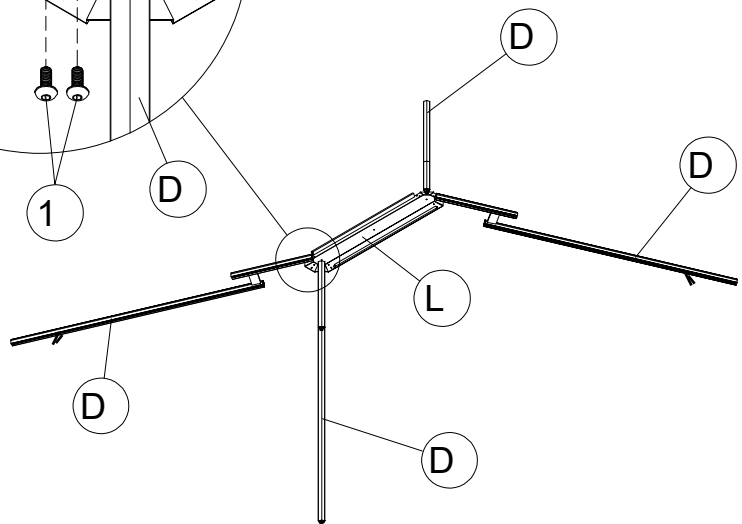
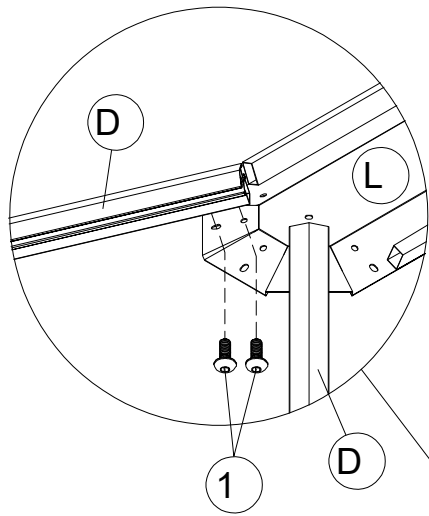
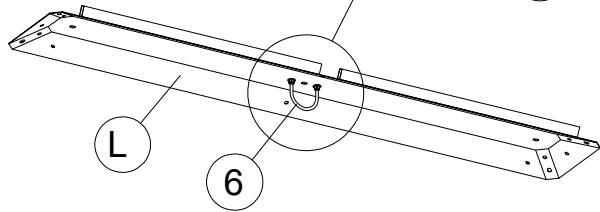
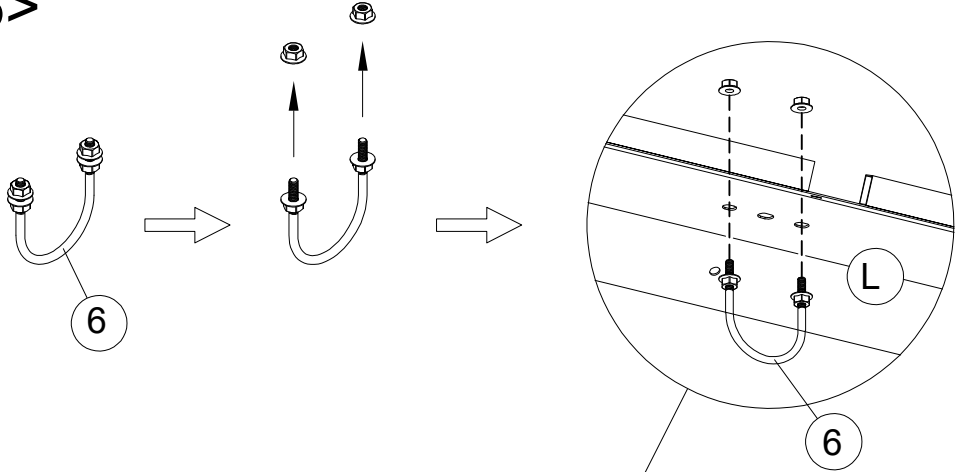


1 8x M6x16



6 1x

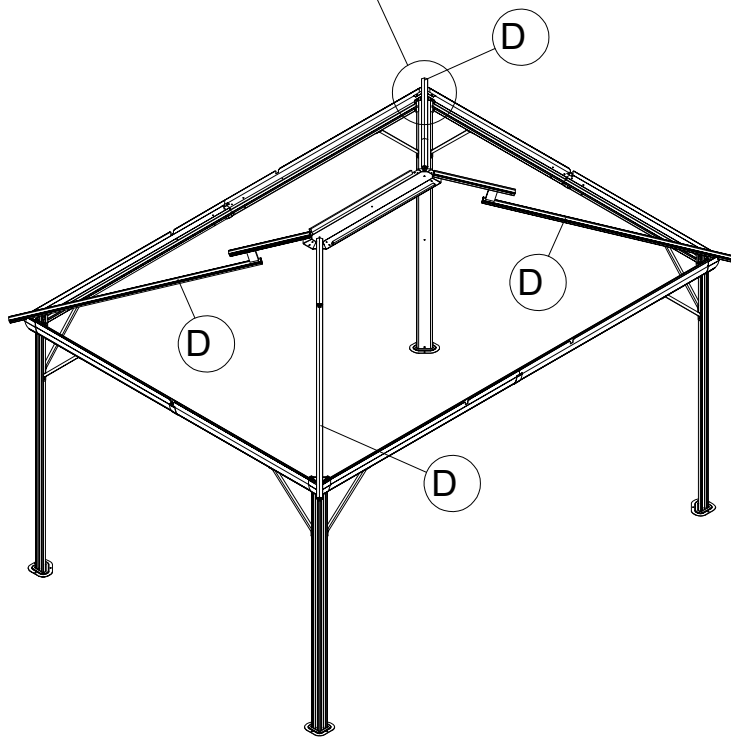
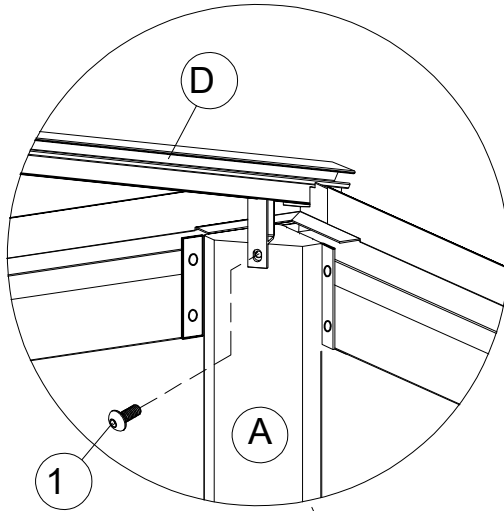
<6>





<7>

1 4x M6x16



9

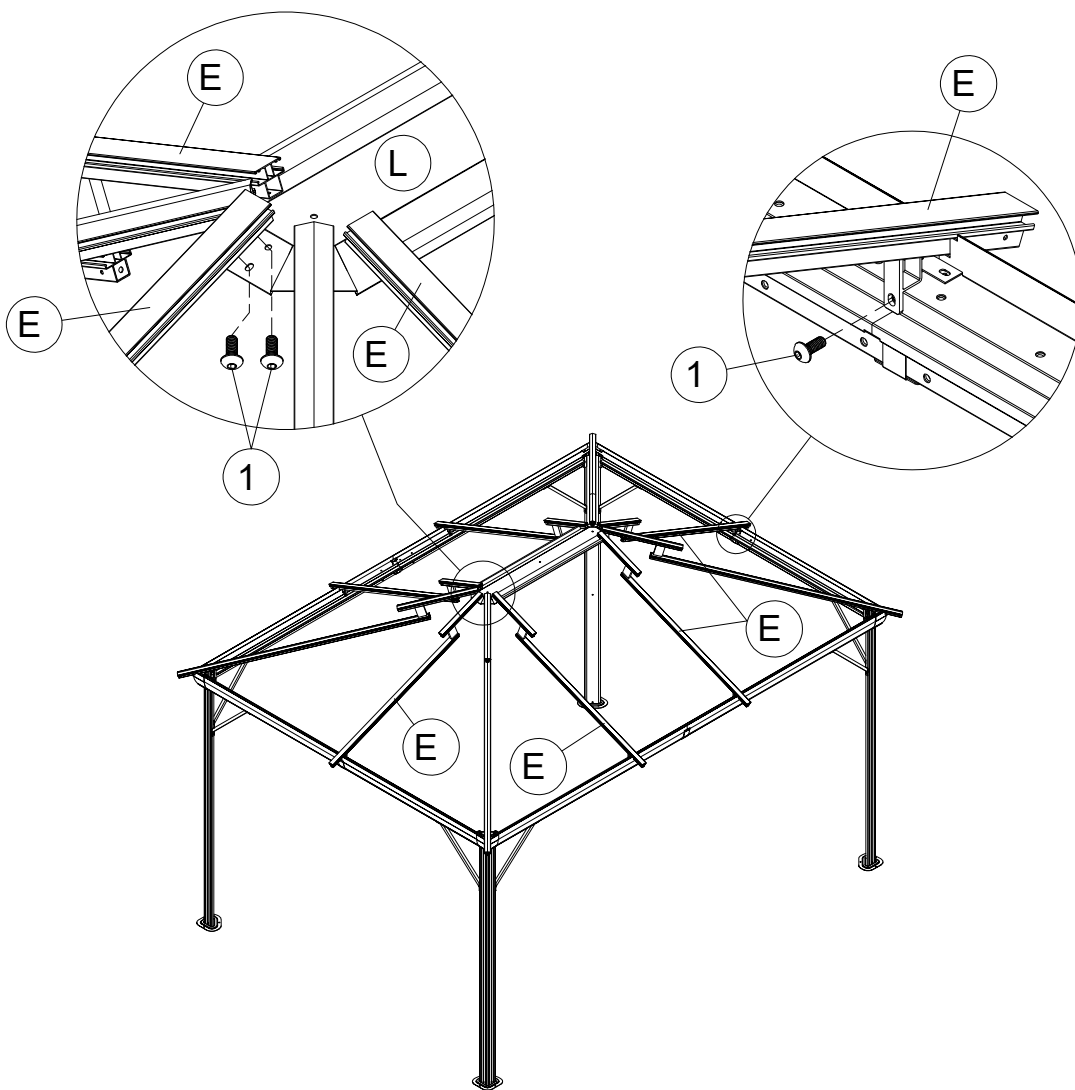


<8>

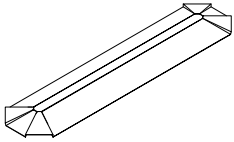
E 6x



M6x16
1 18x



10



(M) 1x

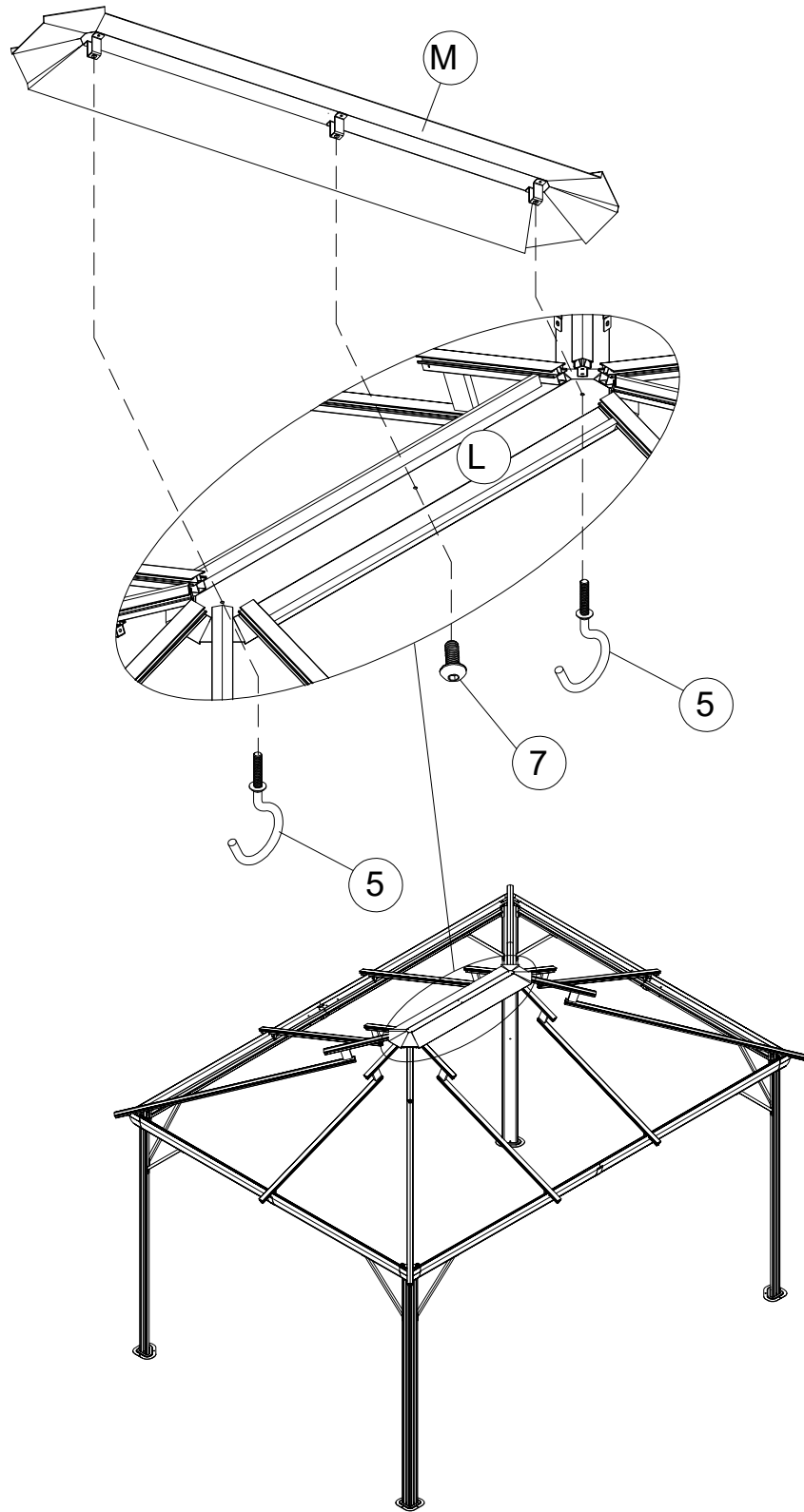


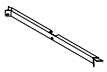
(7) 1x M6x25



(5) 2x

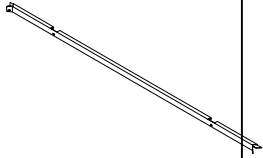
<9>





<10>

G5 2x



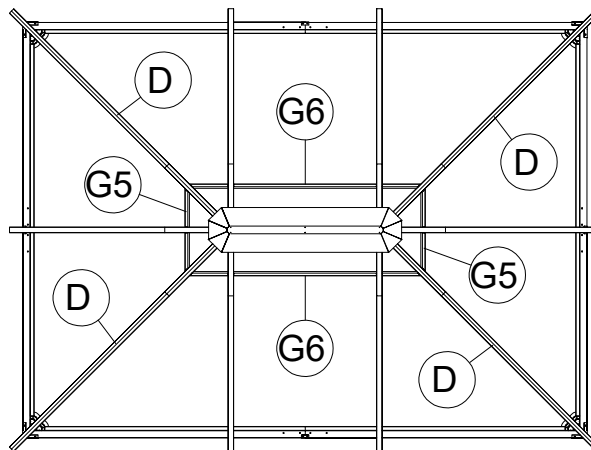
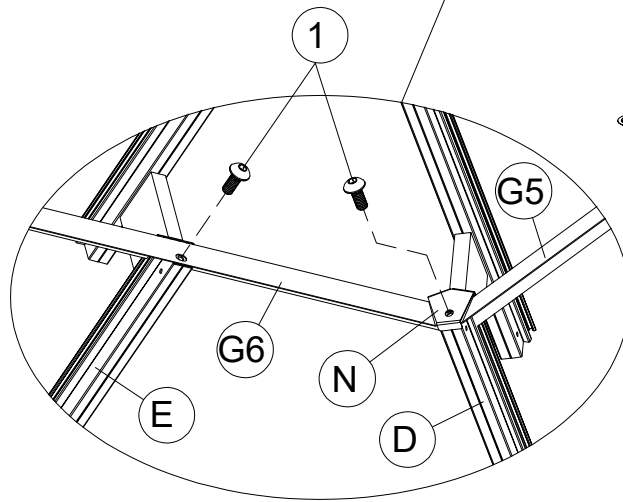
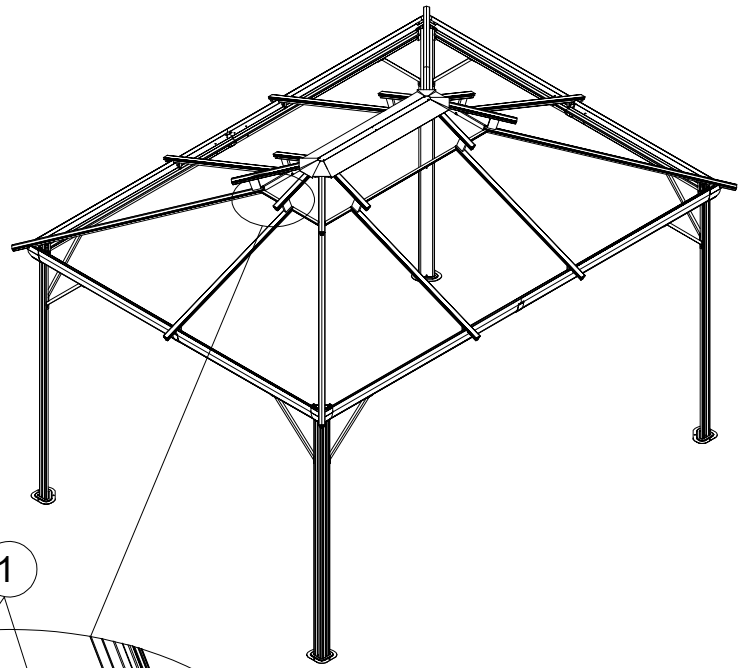
G6 2x



N 4x



1 10x M6x16



12



R1 4x

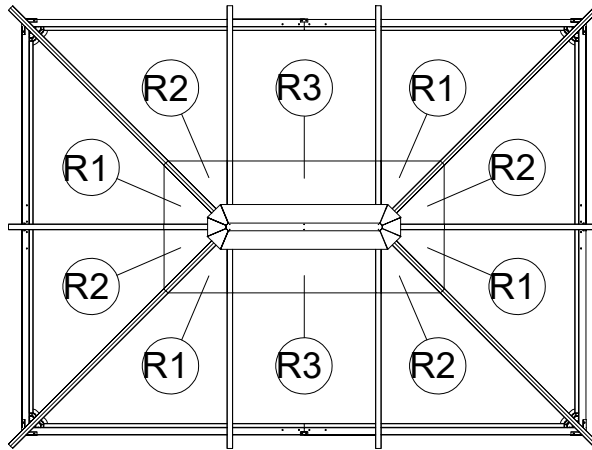
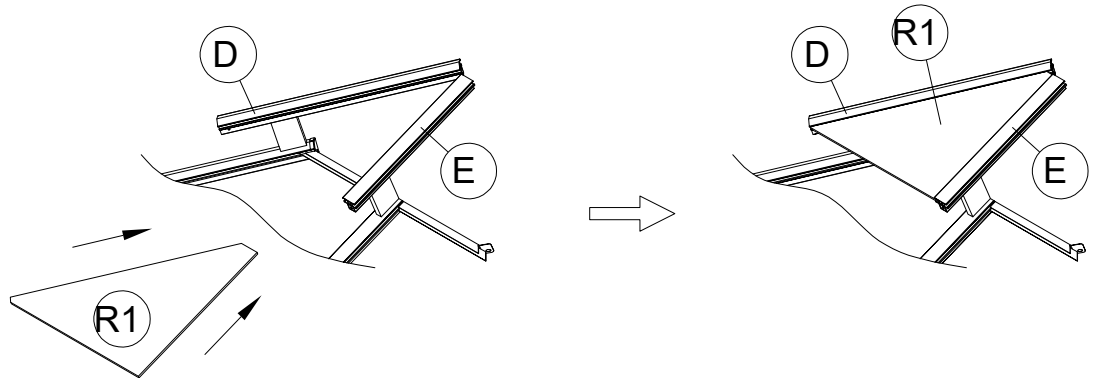
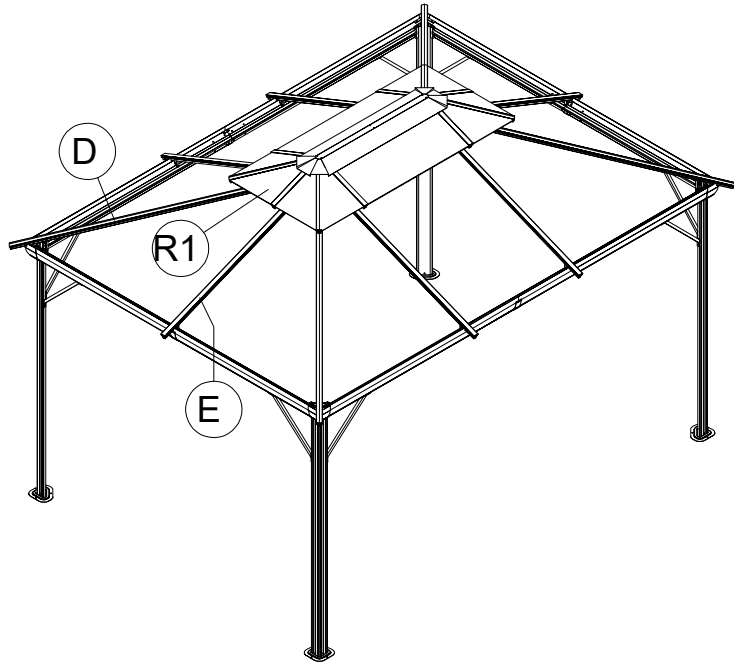


R2 4x



R3 2x

<11>





<12>

G3 2x



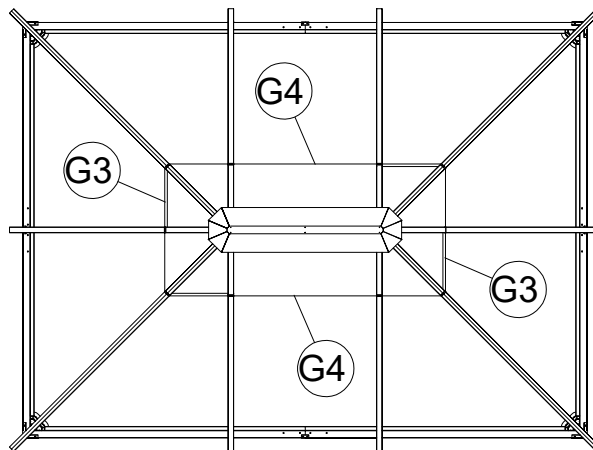
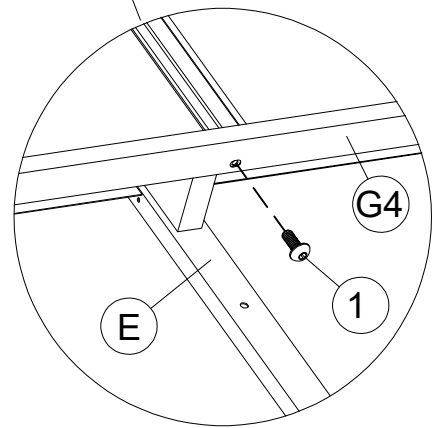
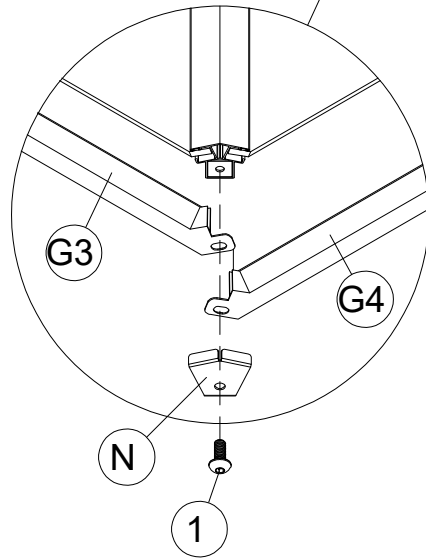
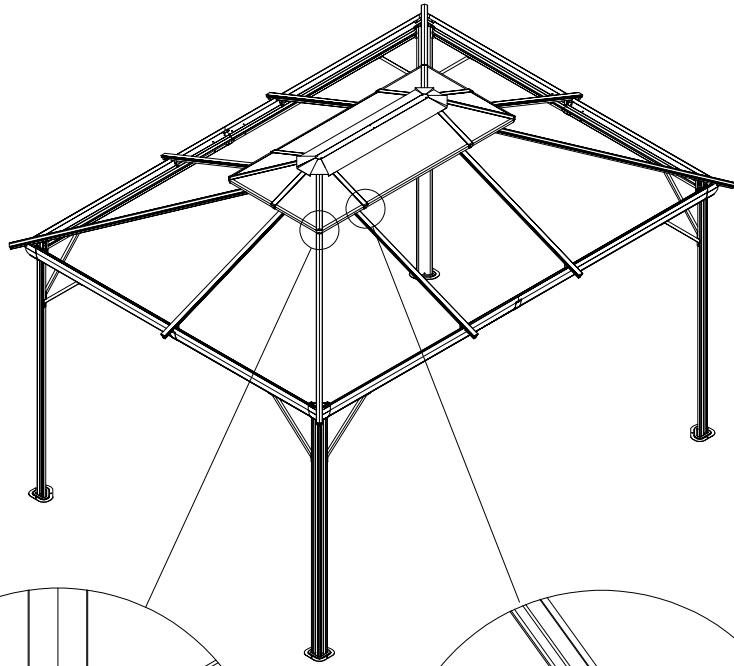
G4 2x



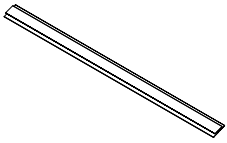
N 4x



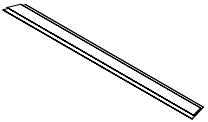
1 10x M6x16



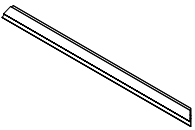
<13>



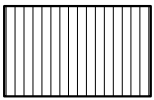
F 2x



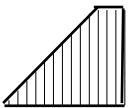
F1 4x



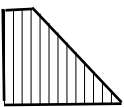
F2 4x



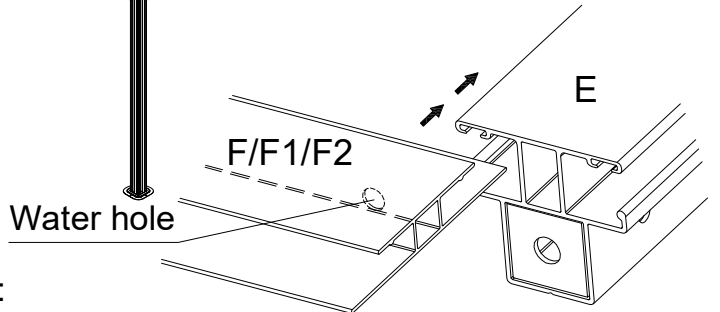
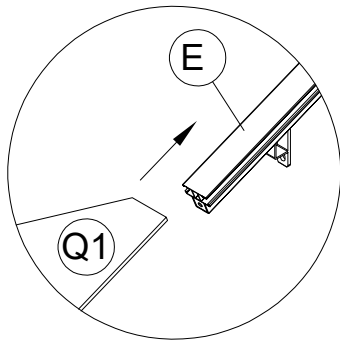
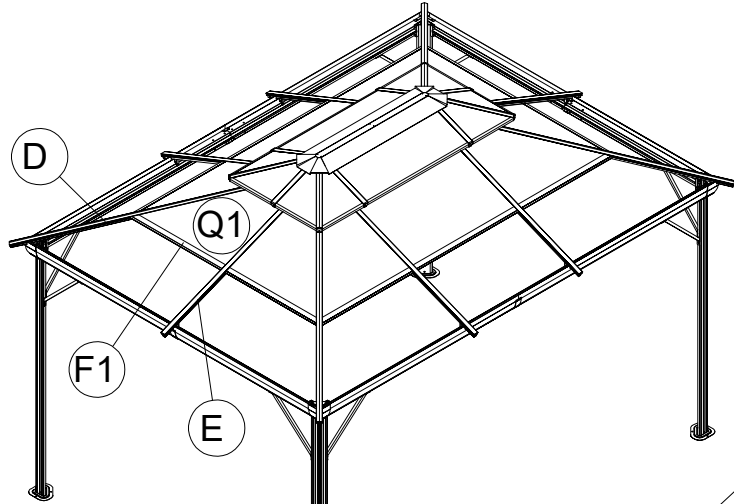
Q 2x



Q1 4x

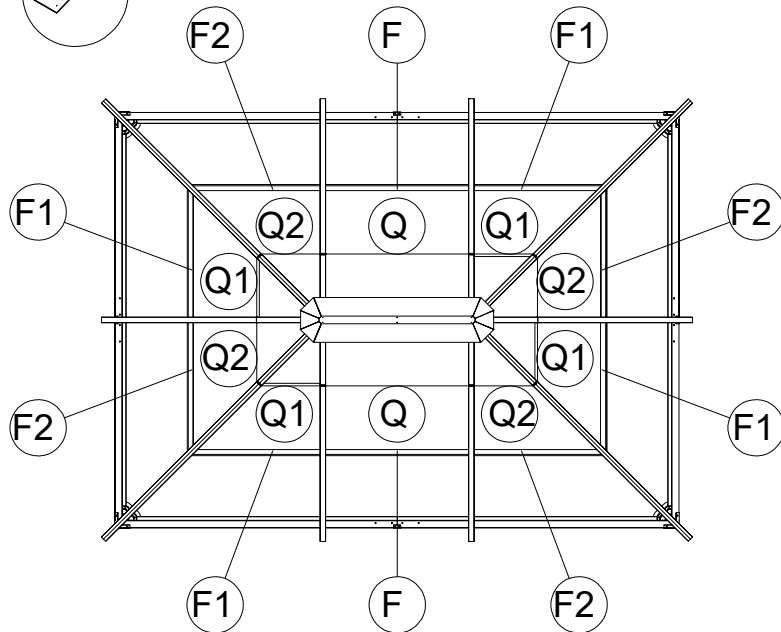
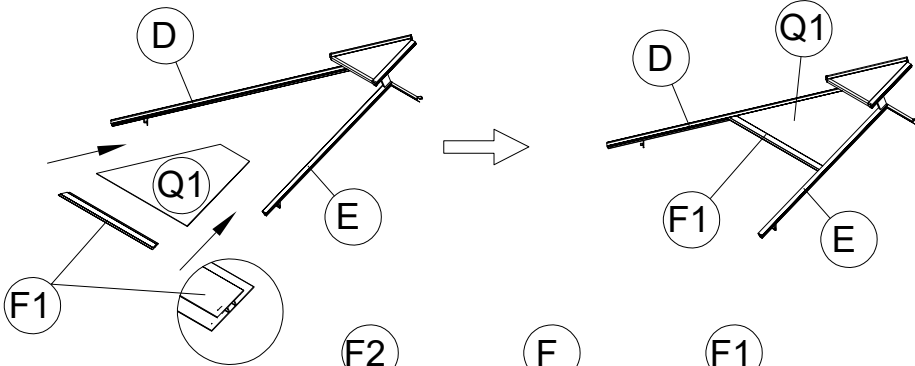


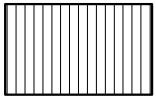
Q2 4x



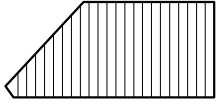
Note:

1. When F1 or F2 or F slide into the E, the wide side must be face down and narrow side face up, otherwise will cause water leaking
2. F or F1 or F2 the water holes inside of the tube must be face up. otherwise will cause water leaking

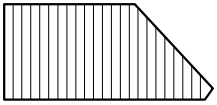




Q 2x

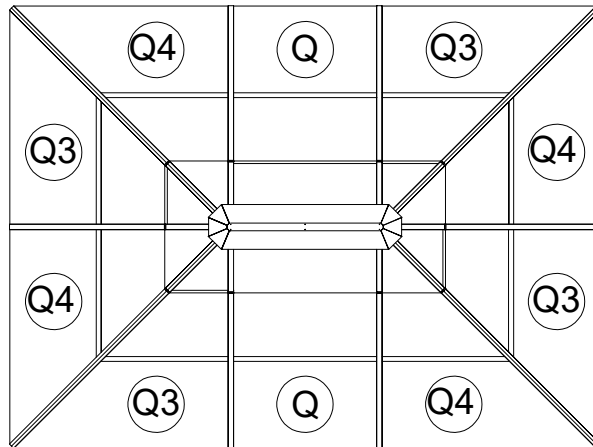
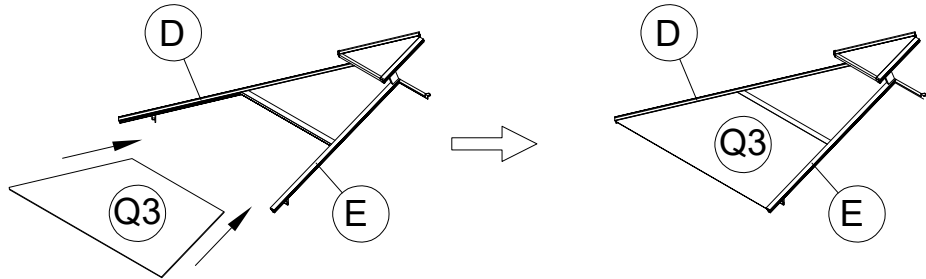
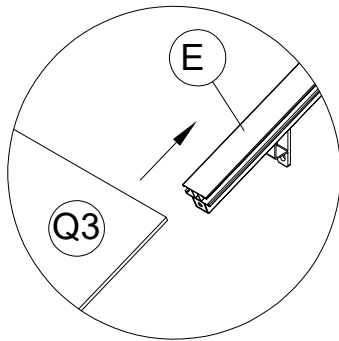
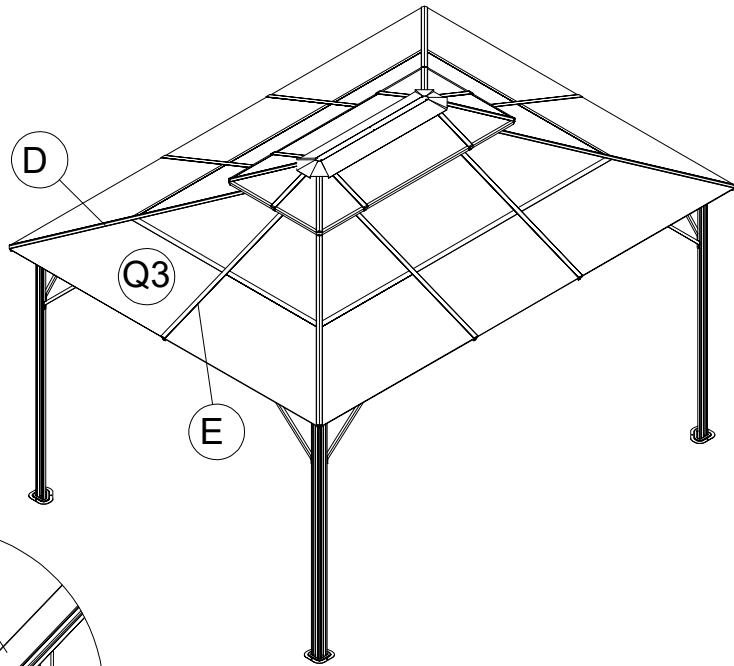


Q3 4x

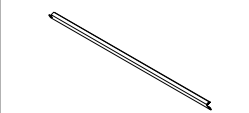


Q4 4x

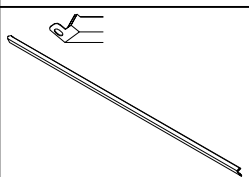
<14>



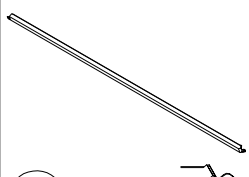
<15>



G 2x



G1 4x



G2 4x



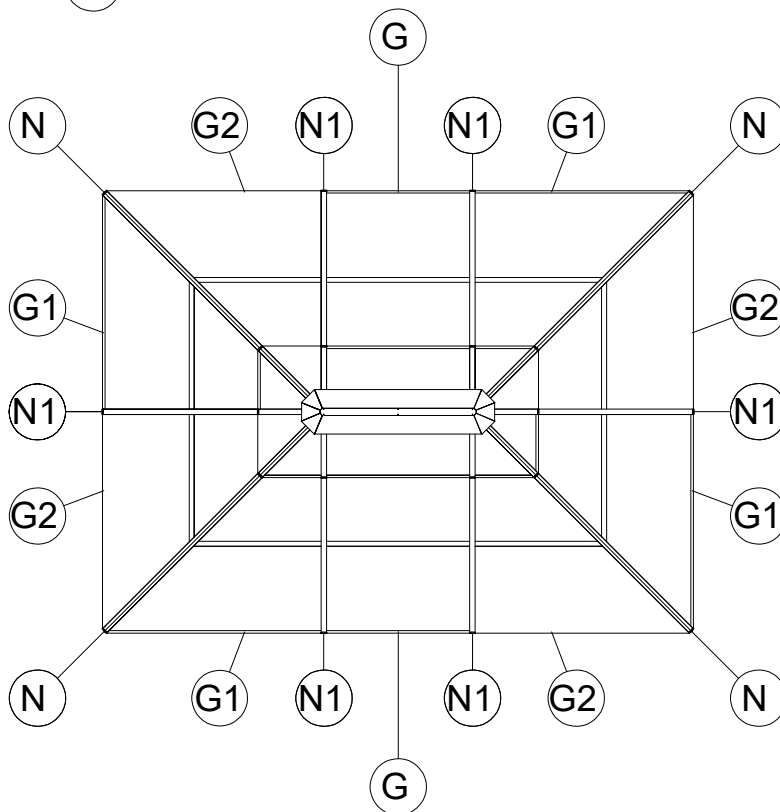
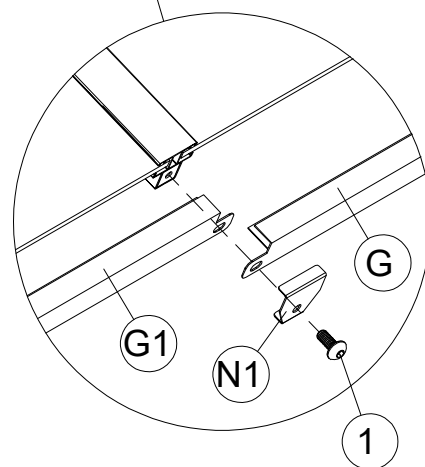
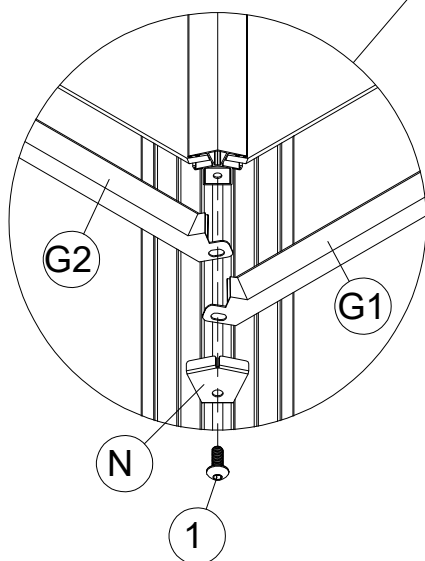
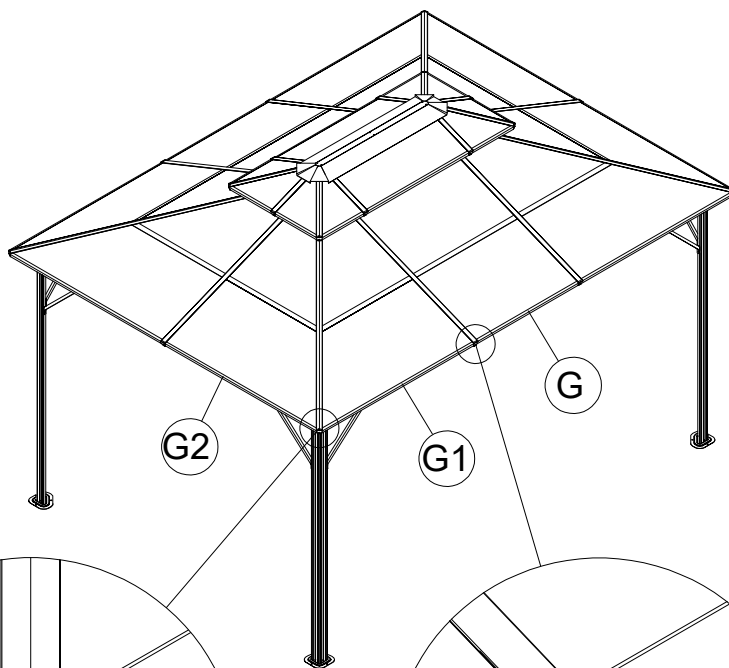
N 4x

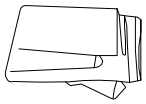


N1 6x



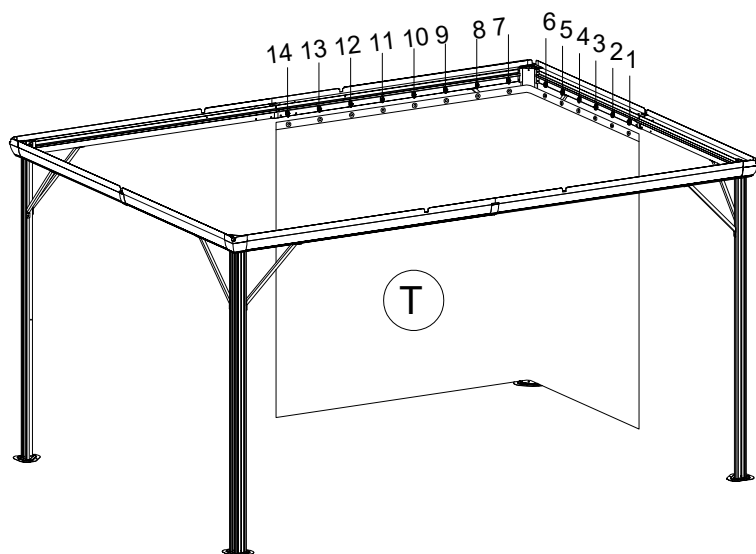
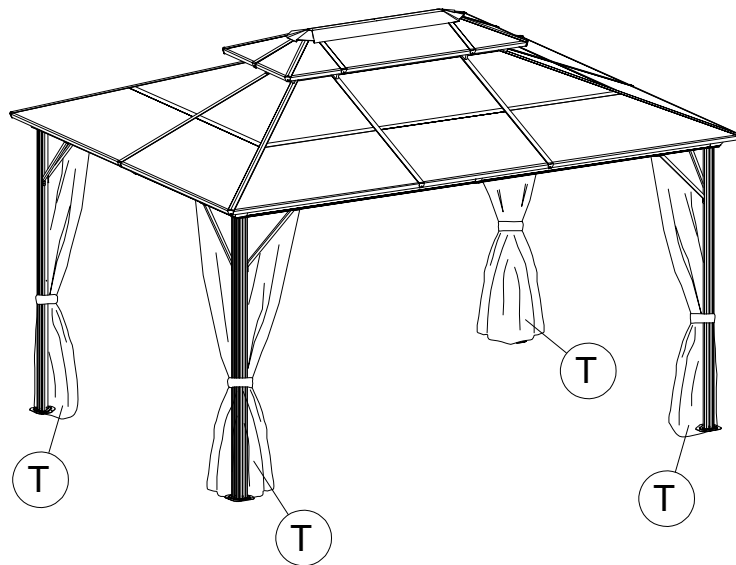
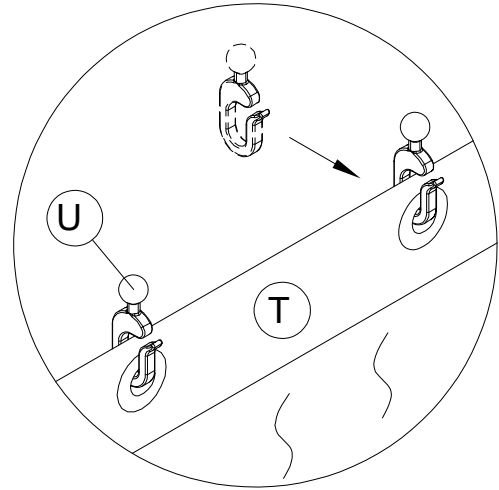
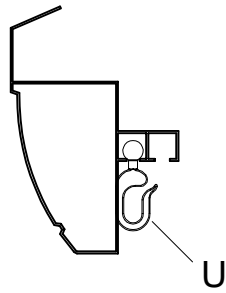
1 10x M6x15

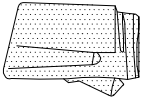




<16>

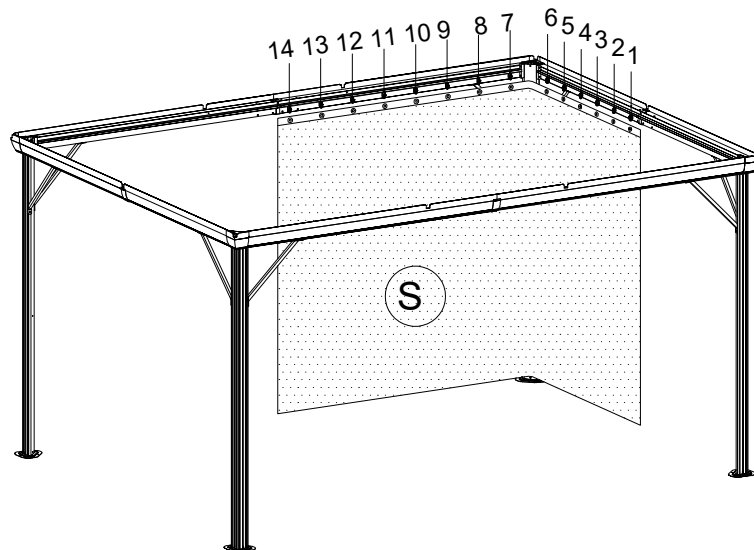
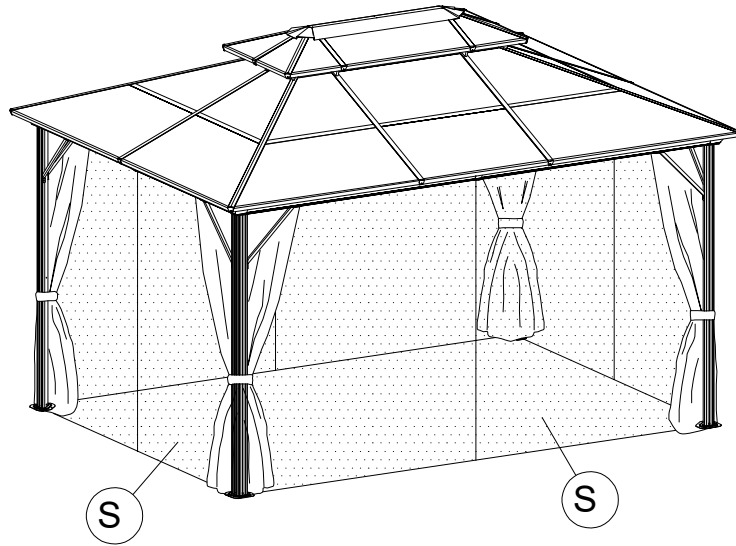
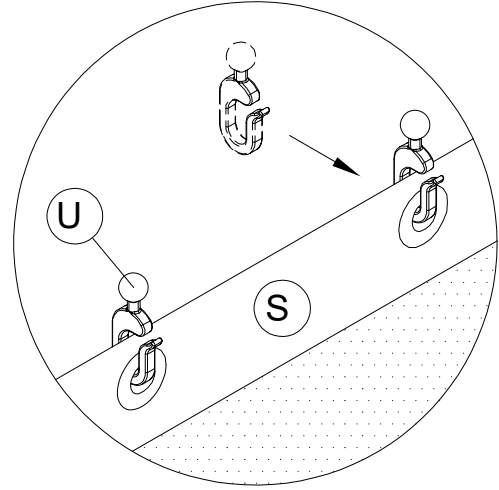
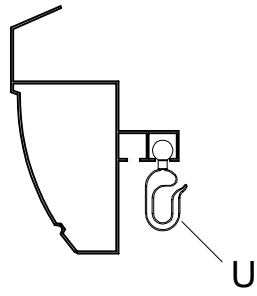
T 4x





<17>

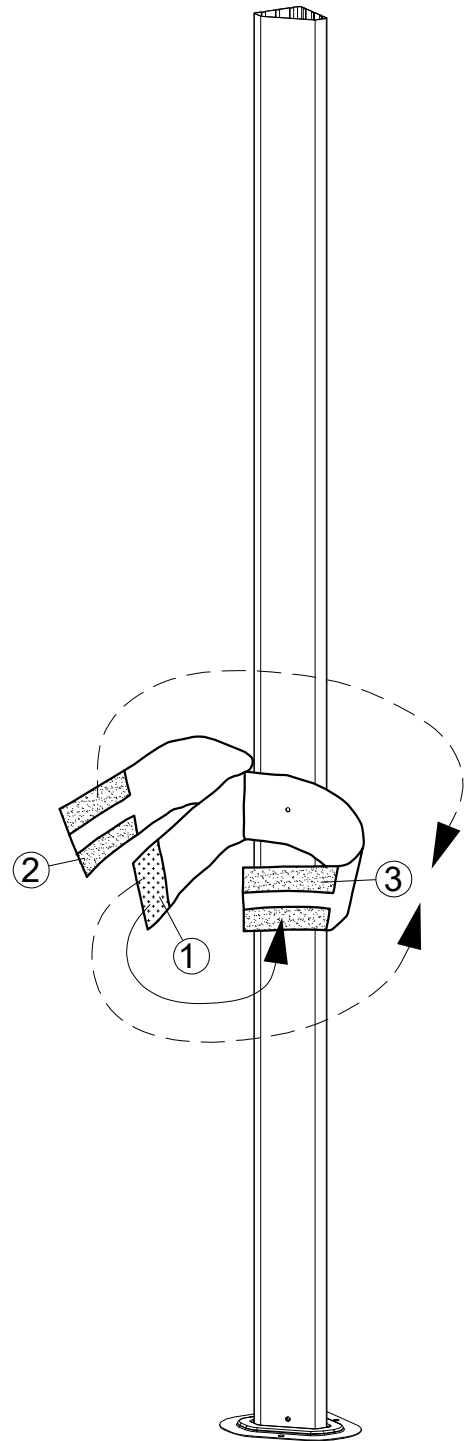
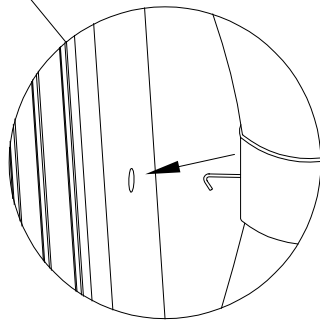
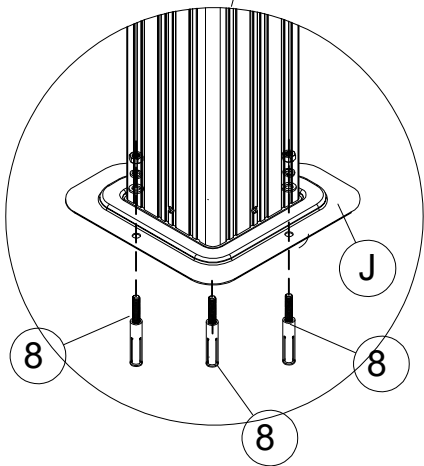
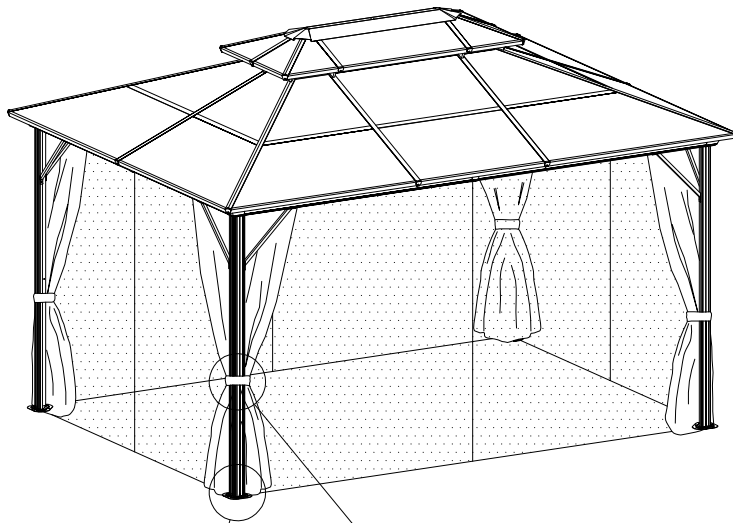
S 4x





<18>

8 12x



Note:

1. 1 stick 2 tie S and T together
2. 1 stick 3 towards back tie T
3. 1 stick 3 towards front tie S

Box A		Box A		Box B	
Part #	Qty	Part #	Qty	Part #	Qty
A	4	B1	2	Q	4
B	2	C	2	Q1	4
E	4	C1	2	Q2	4
F	2	D	4	Q3	4
F1	4	E	2	Q4	4
F2	4	H	4	R1	4
G	2	H1	4	R2	4
G1	4	K	4	R3	2
G2	4	N	12	T	4
G3	2	N1	6		
G4	2	P	4		
G5	2	S	4		
G6	2	U	112		
K1	4	J	4		
L	1	V	4		
M	1				
①	136				
②	16				
③	4				
④	16				
⑤	2				
⑥	1				
⑦	1				
⑧	12				
S4	1				
S6	1				