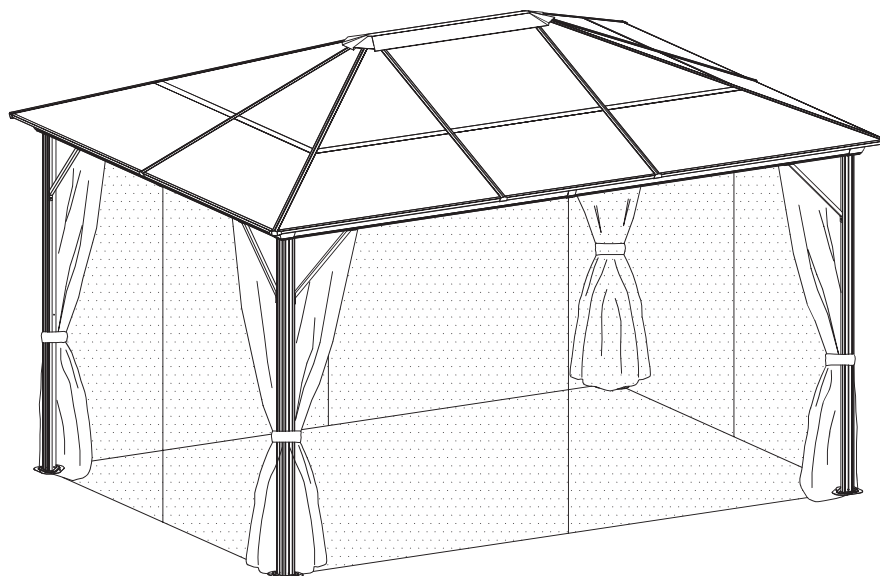


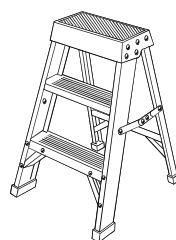
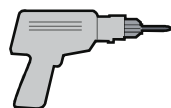
10 x 12 FT

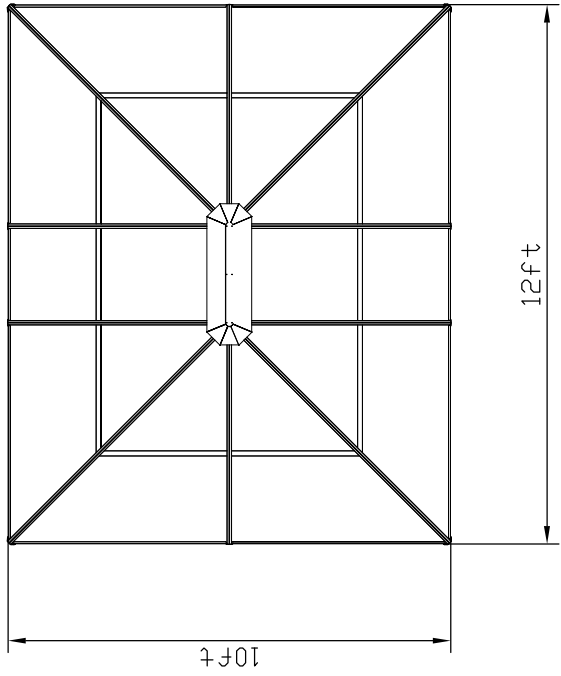
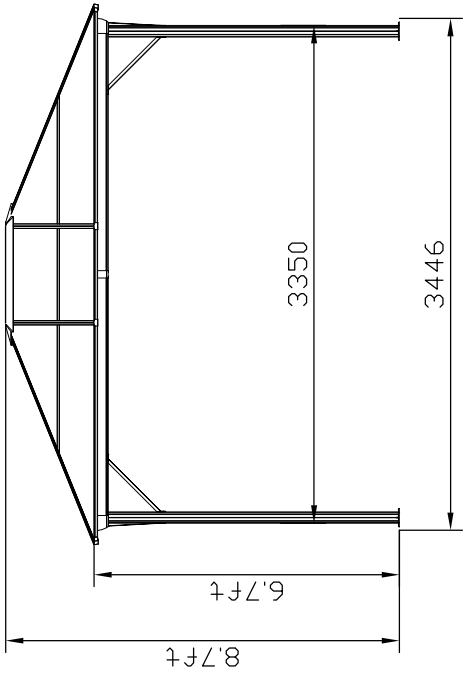
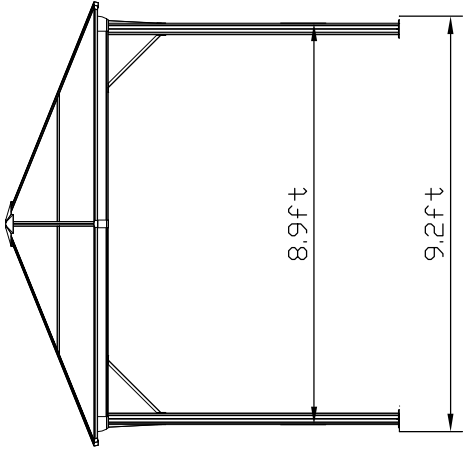
□ □ □ □ □ □ □ □ HWG - 010 □ □ □ □ □ □ □ □



At least need 3 person work together

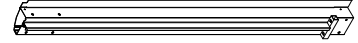
REQUIRED TOOLS



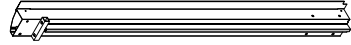




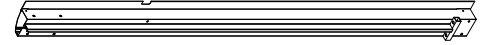
A 4x



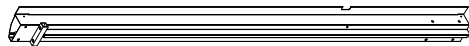
B 2x



B1 2x



C 2x



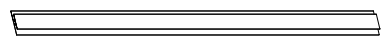
C1 2x



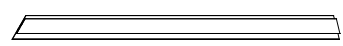
D 4x



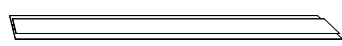
E 6x



F 2x



F1 4x



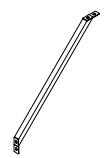
F2 4x



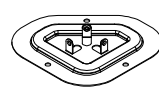
G 2x



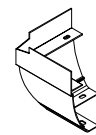
G1 8x



H 8x



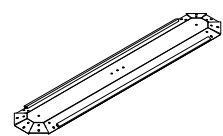
J 4x



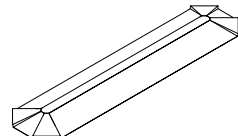
K 4x



K1 4x



L 1x



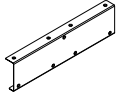
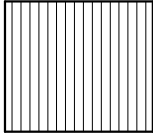
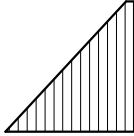
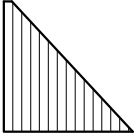
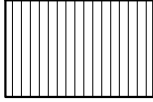
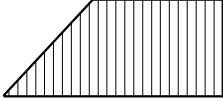
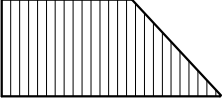
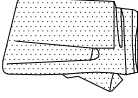
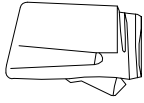

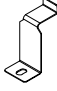







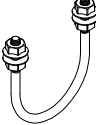
M 1x



N 4x



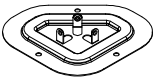
N1 6x

			
(P) 4x	(Q) 2x	(Q1) 4x	(Q2) 4x
			
(R) 2x	(R1) 4x	(R2) 4x	(S) 4x
			
(T) 4x	(U) 104x	(V) 4x	S4 1x
			
M6x15 (1) 107x	M6x35 (2) 16x	M5x12 (3) 16x	ST4.8 x12 (4) 24x
			
(5) 2x	(8) 12x	(10) 1x	

<1>



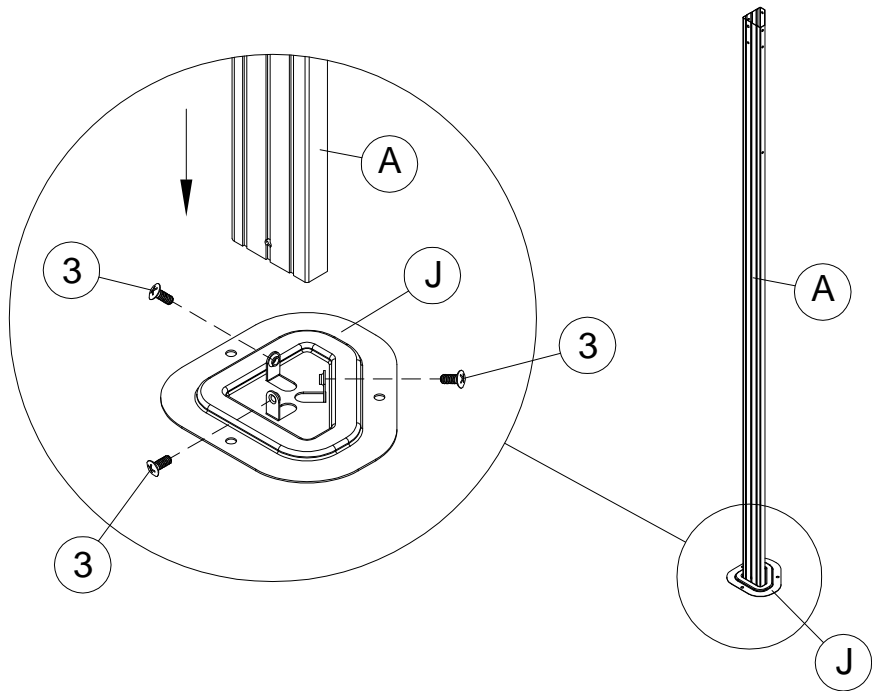
A 4x



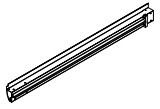
J 4x



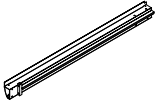
3 12x M5x12



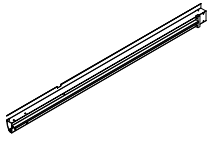
4



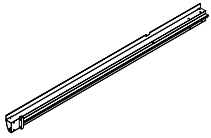
B 2x



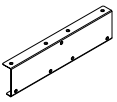
B1 2x



C 2x



C1 2x

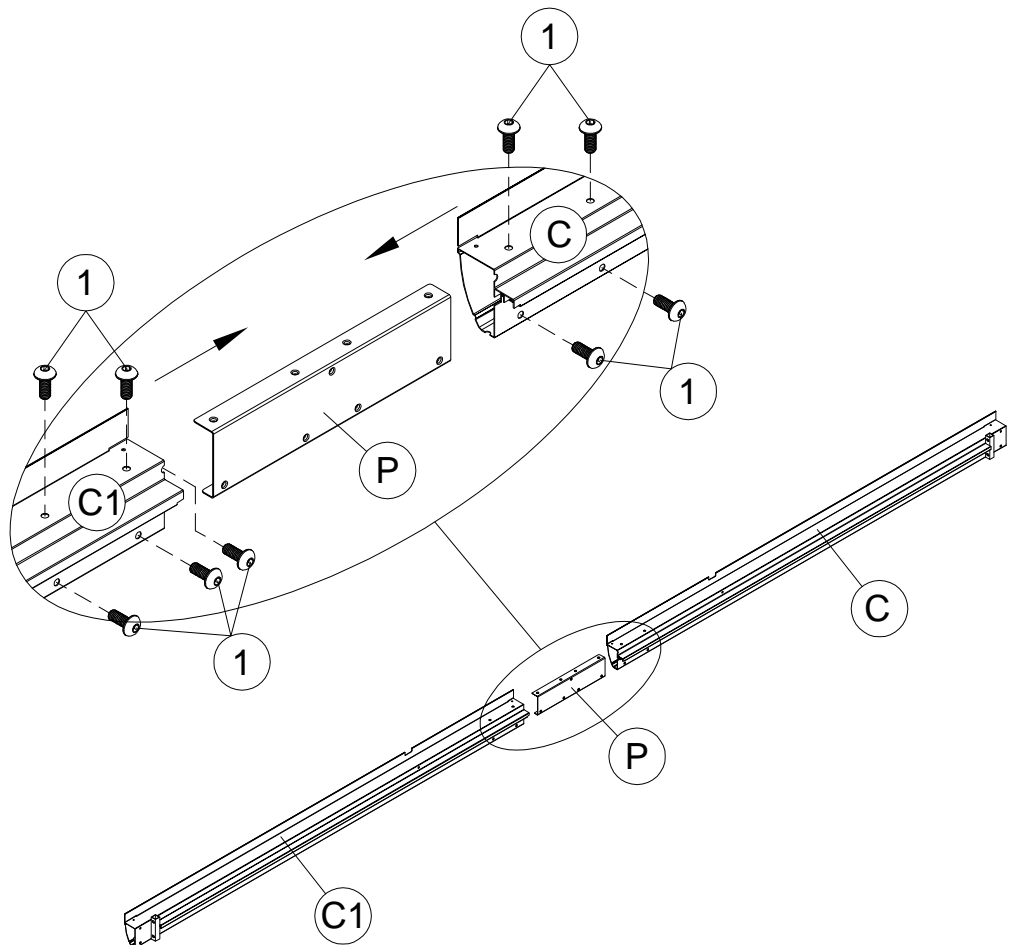
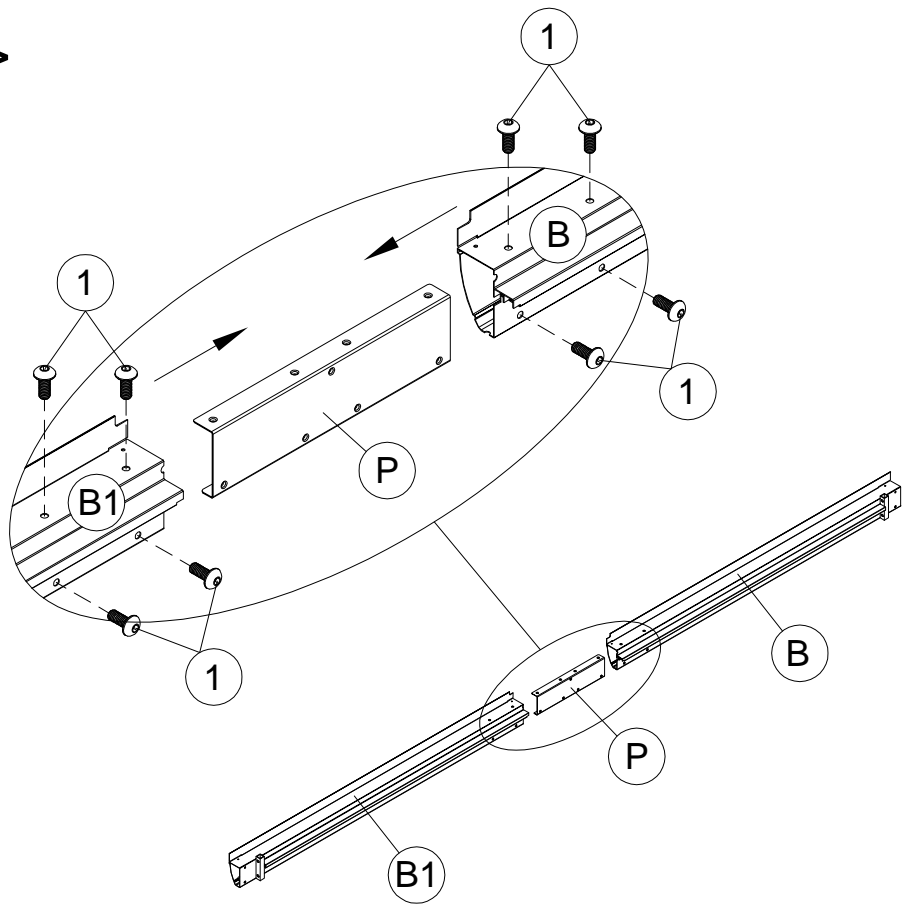


P 4x



1 34x M6x15

<2>



5

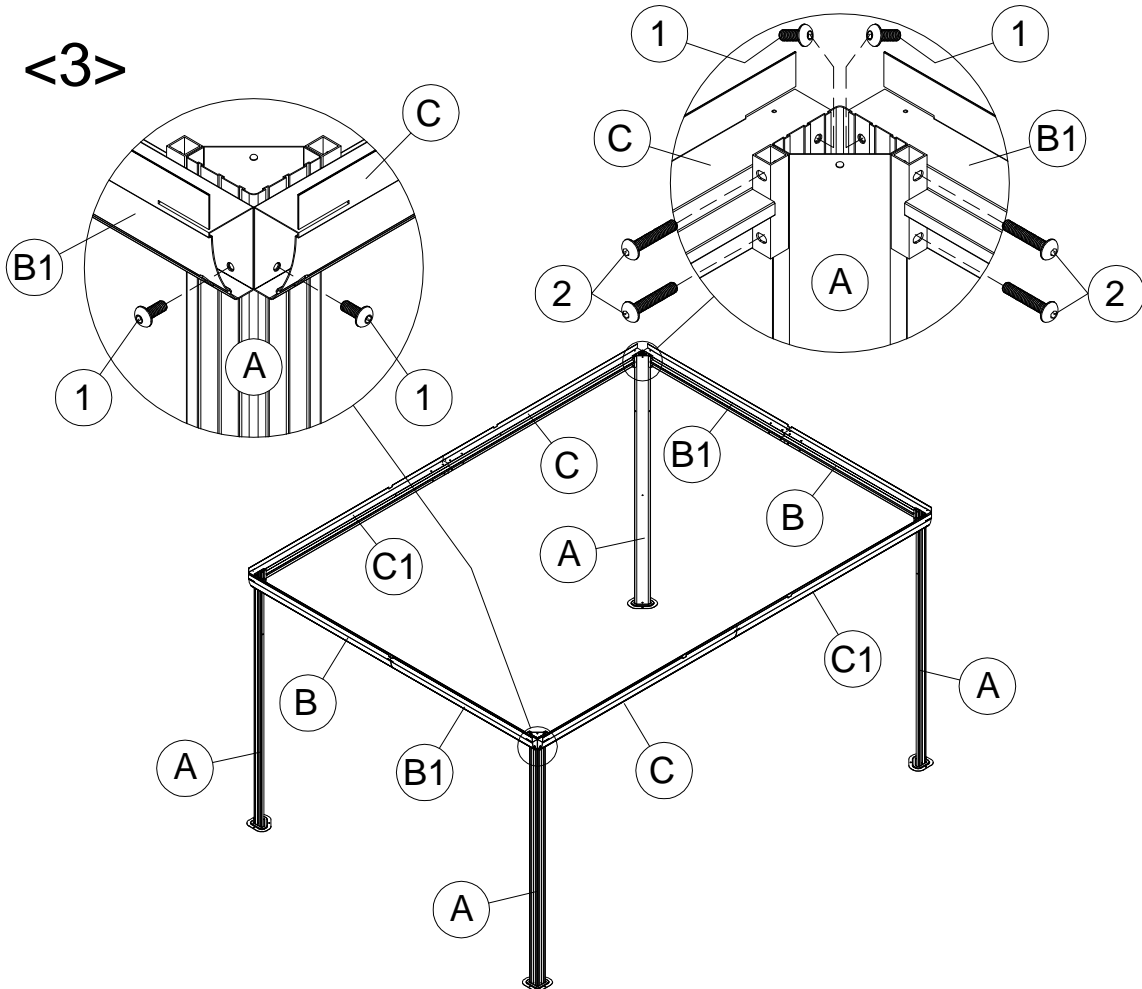


1 16x M6x15



2 16x M6x35

<3>

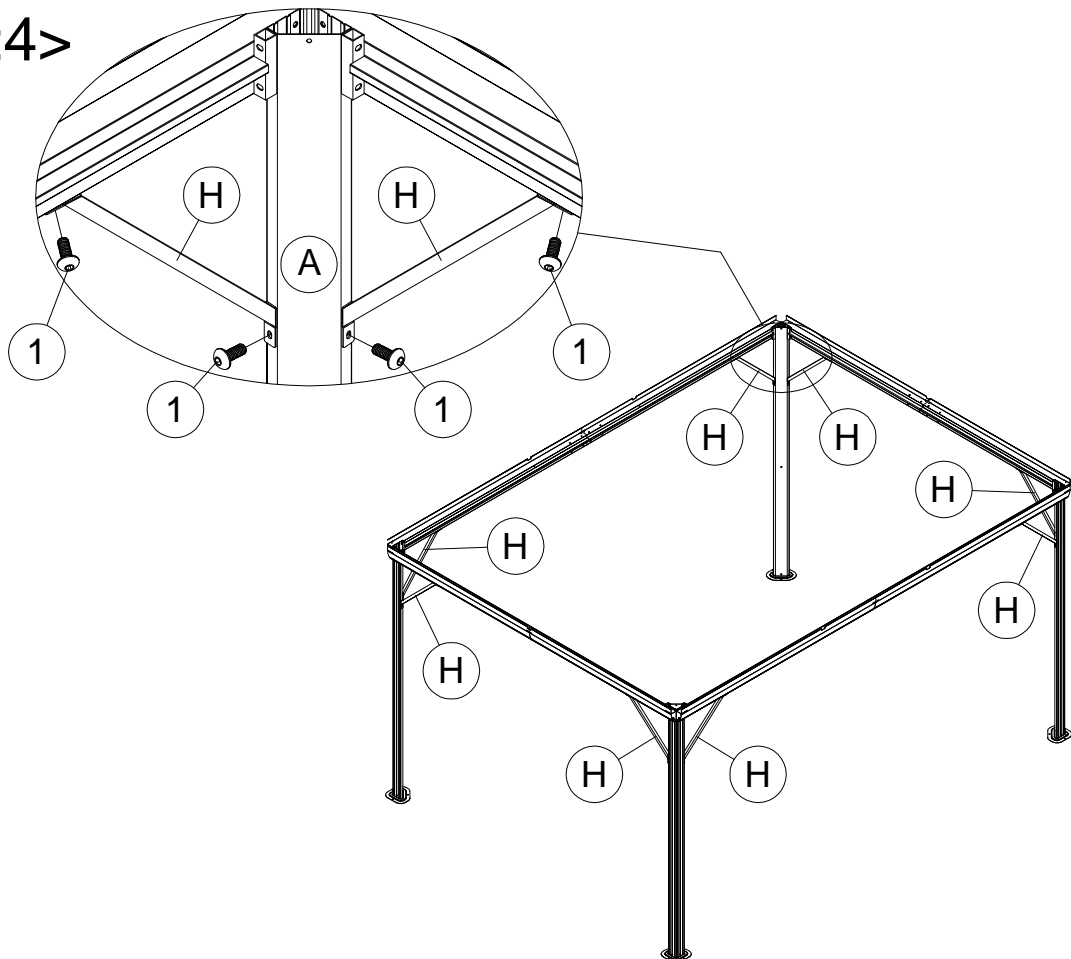


H 8x



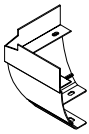
1 16x M6x15

<4>



6

<5>



K 4x



K1 4x



U 104x



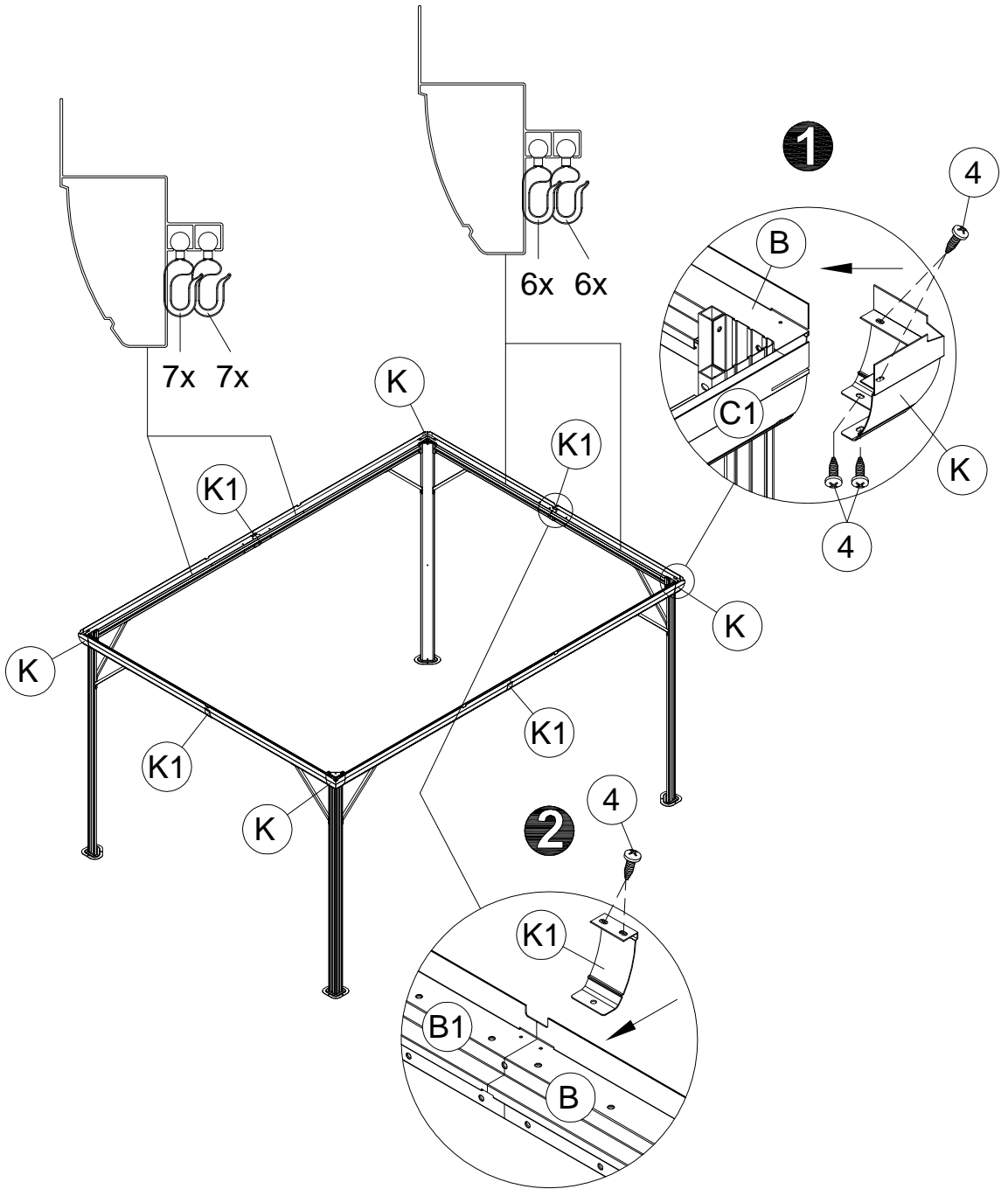
V 4x



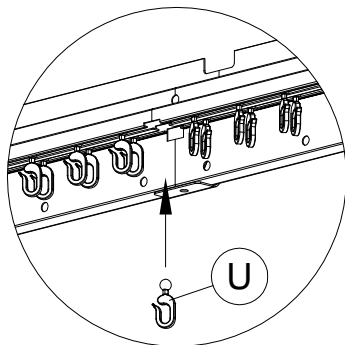
3 4x M5x12



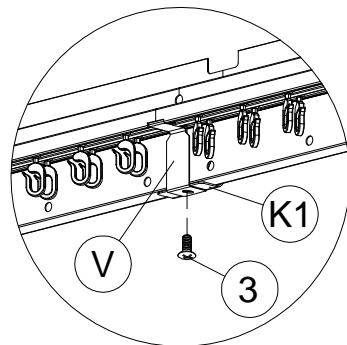
4 24x ST4.8 x12



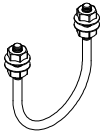
3



4

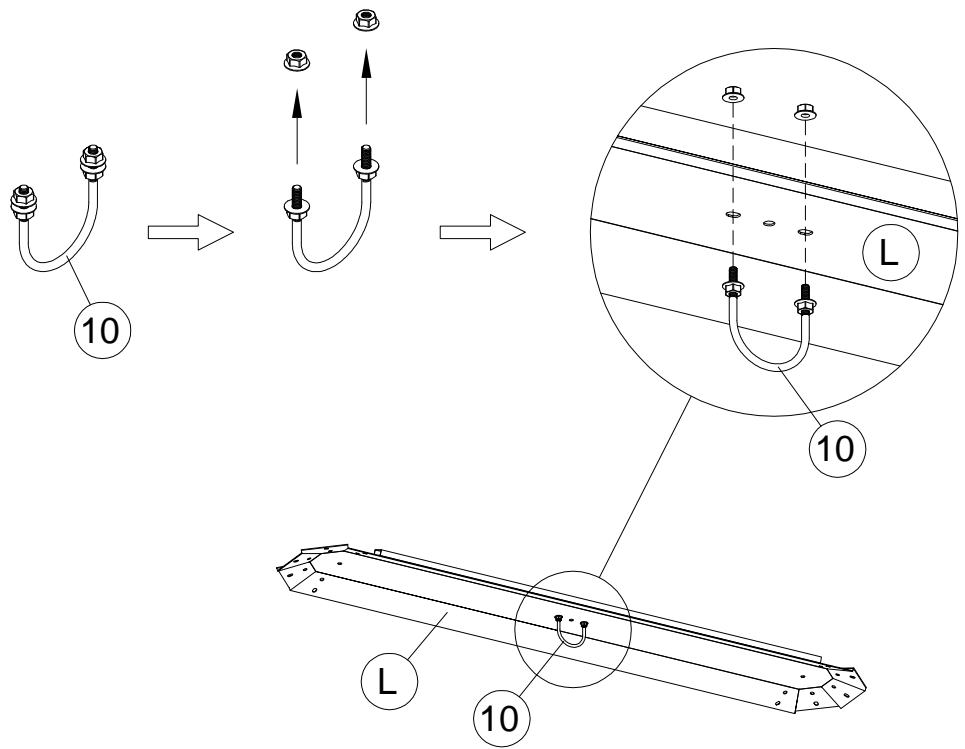


7



10 1x

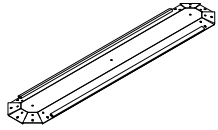
<6>





<7>

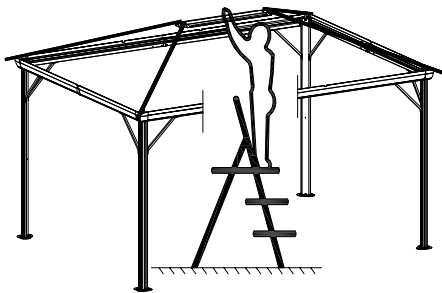
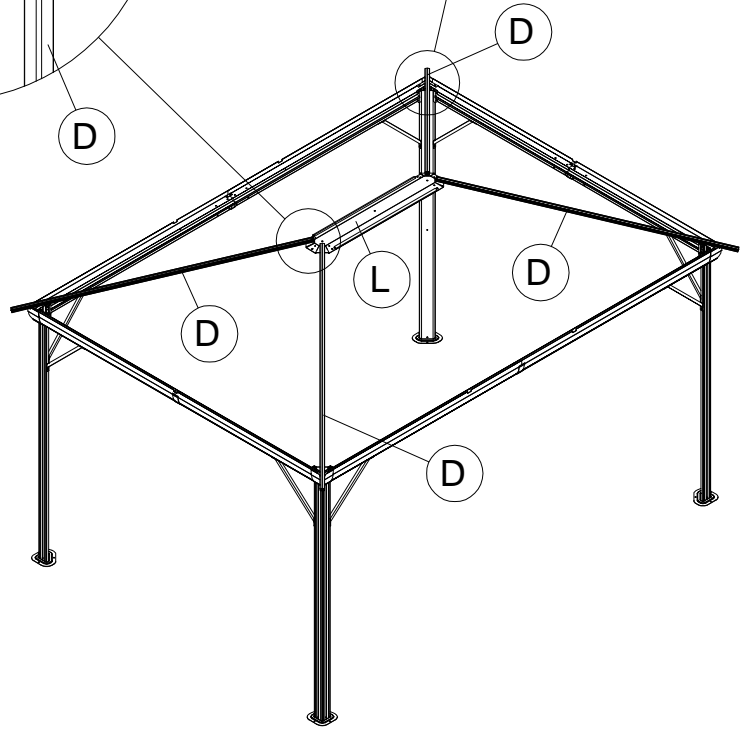
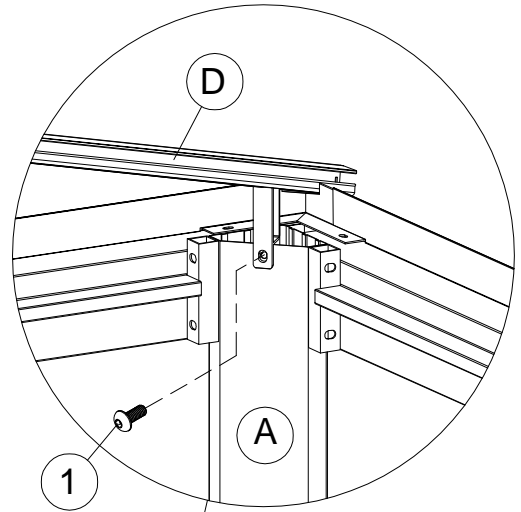
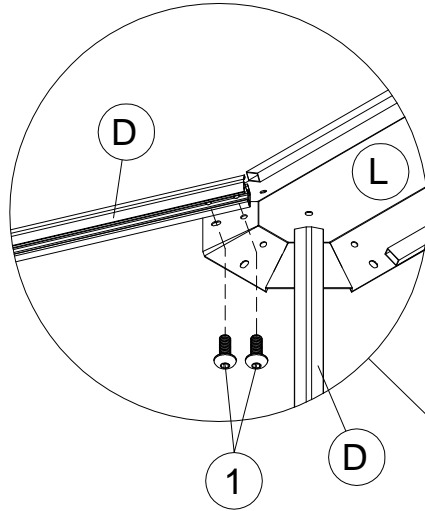
D 4x



L 1x



1 12x M6x15



Note:

1. Let one person stand on the ladder to lift " L " and hold, and let others fasten the screws connecting both ends of " D " .

2. Please do not let go of holding " L " until all the " D " screws are installed.

9

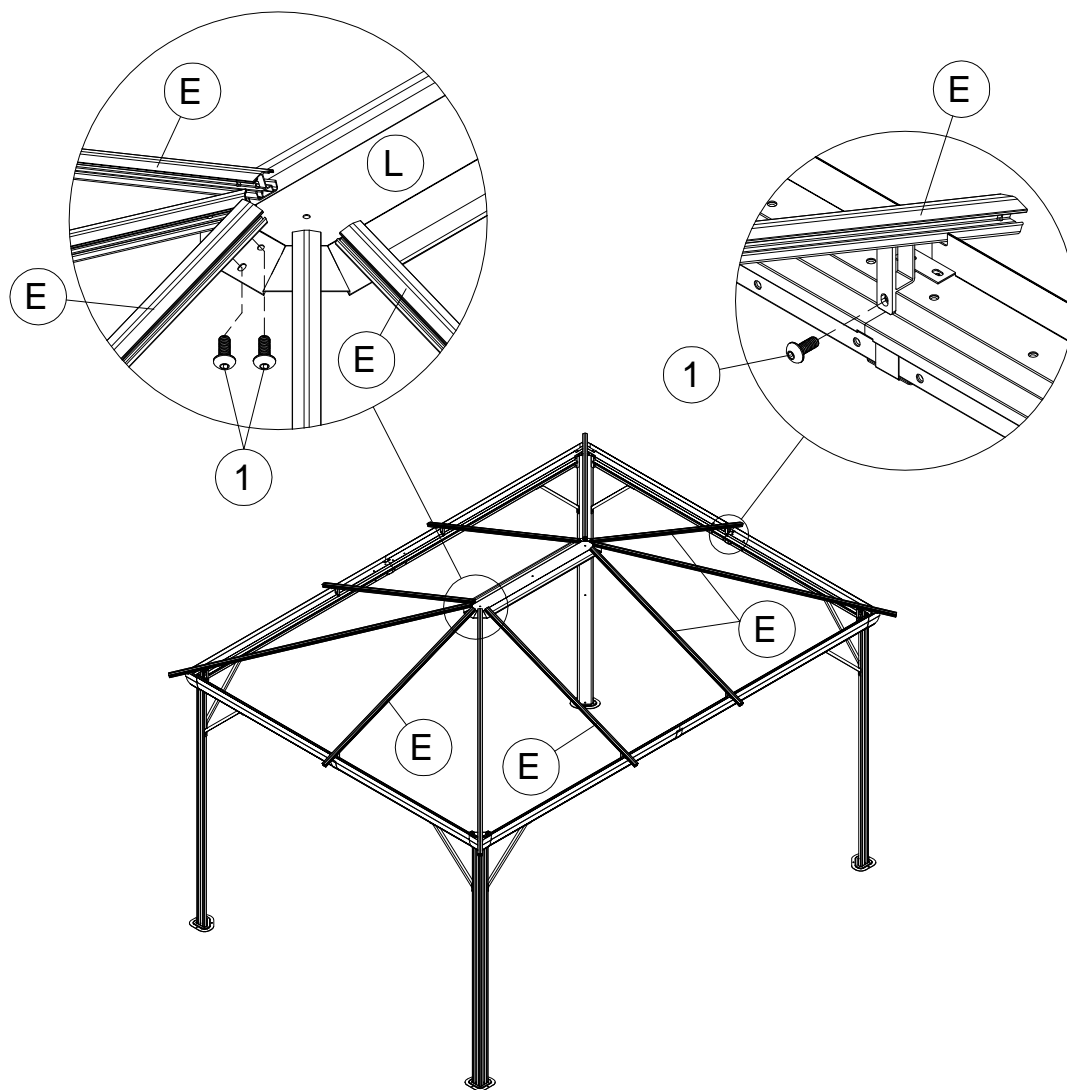


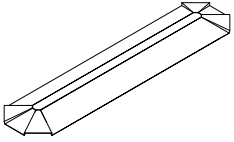
<8>

E 6x



1 18x M6x15





(M) 1x

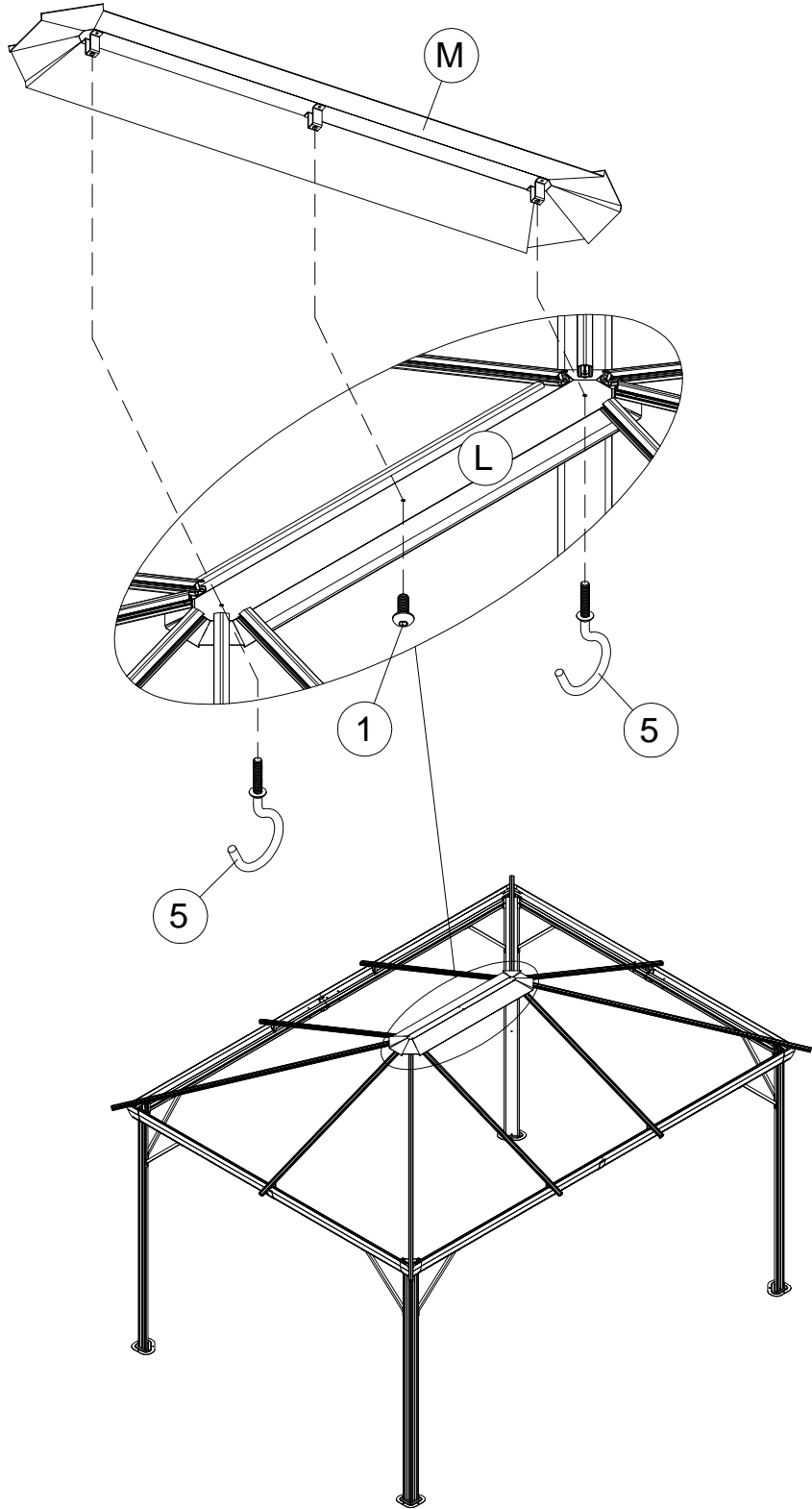


(1) 1x M6x15

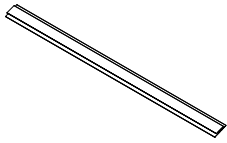


(5) 2x

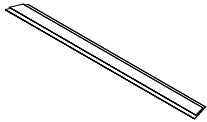
<9>



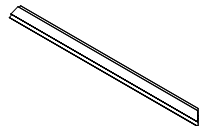
<10>



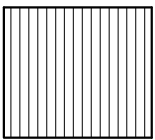
F 2x



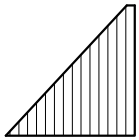
F1 4x



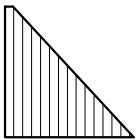
F2 4x



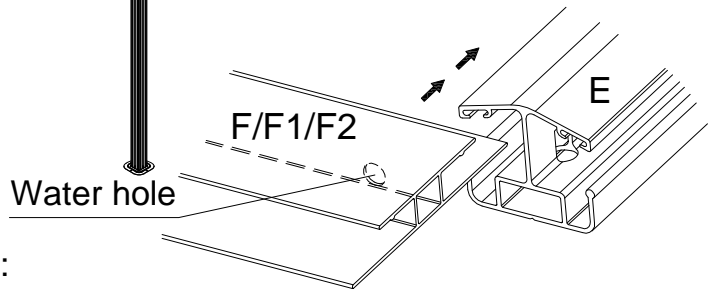
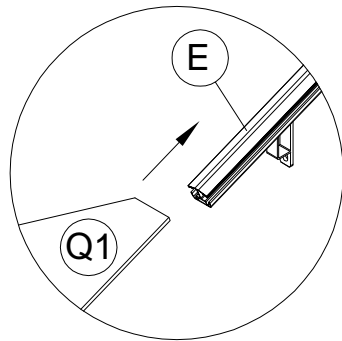
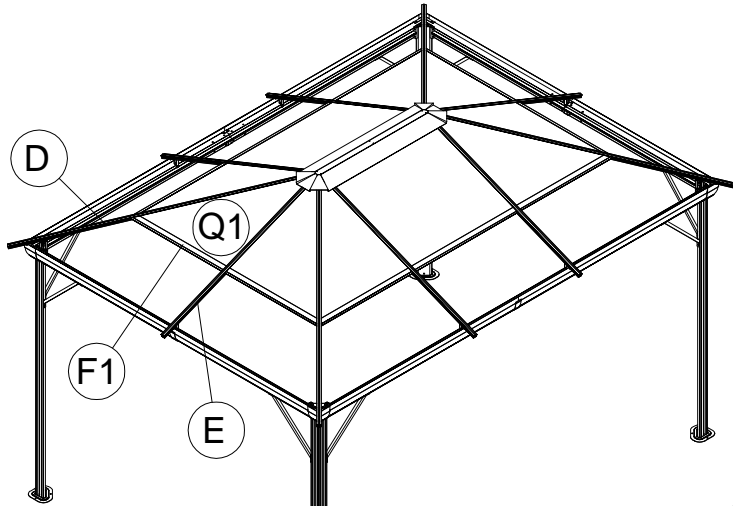
Q 2x



Q1 4x



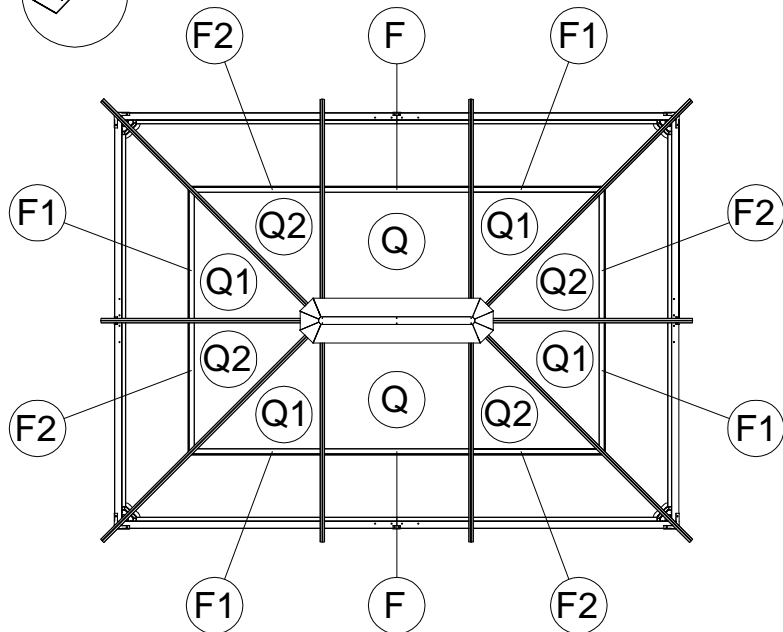
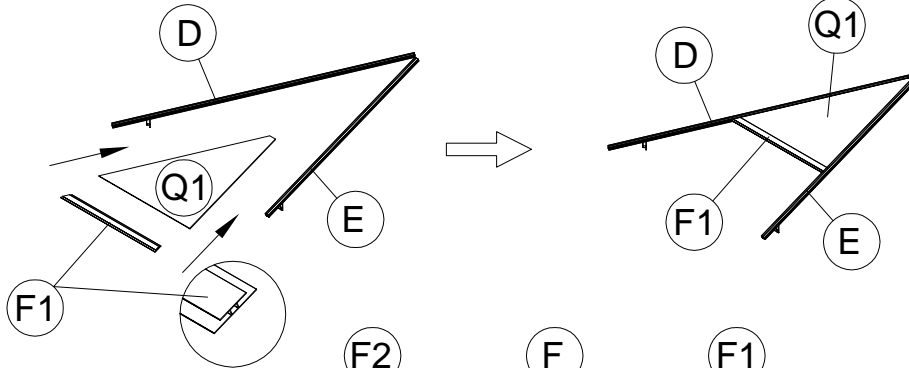
Q2 4x



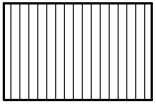
Note:

1. When F1 or F2 or F slide into the E, the wide side must be face down and narrow side face up, otherwise will cause water leaking

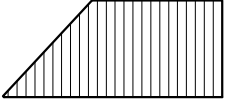
2. F or F1 or F2 the water holes inside of the tube must be face up. otherwise will cause water leaking



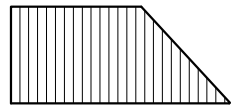
<11>



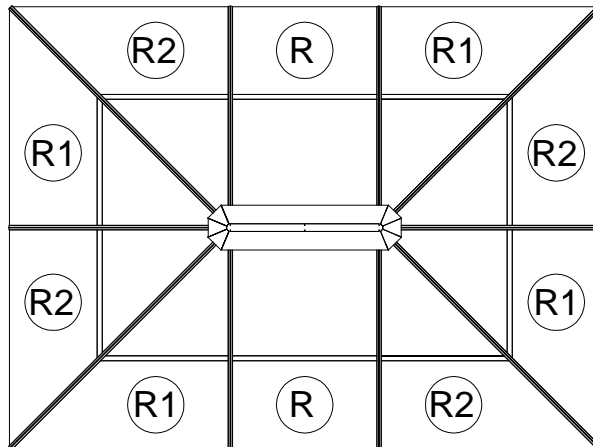
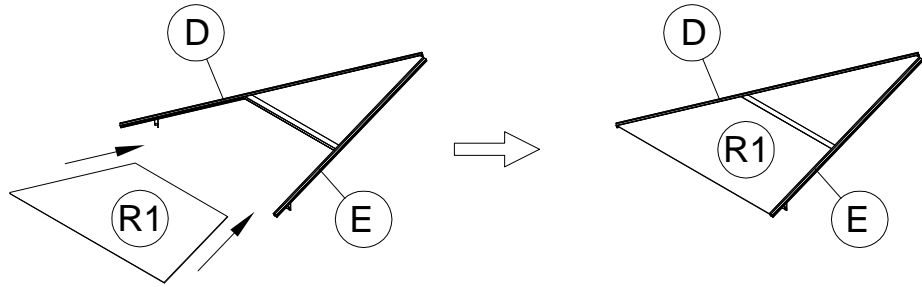
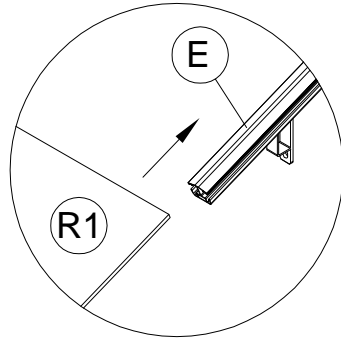
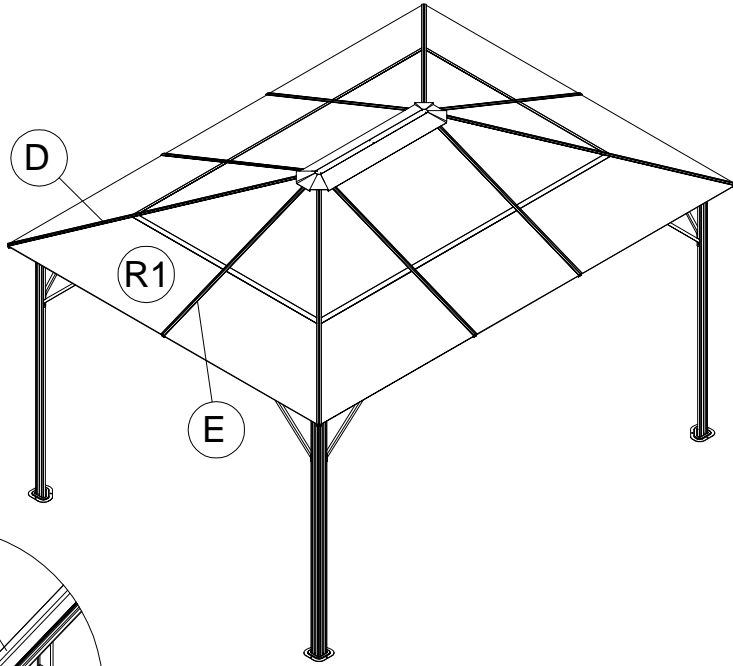
R 2x



R1 4x



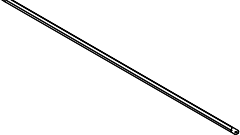
R2 4x



<12>



G 2x



G1 8x



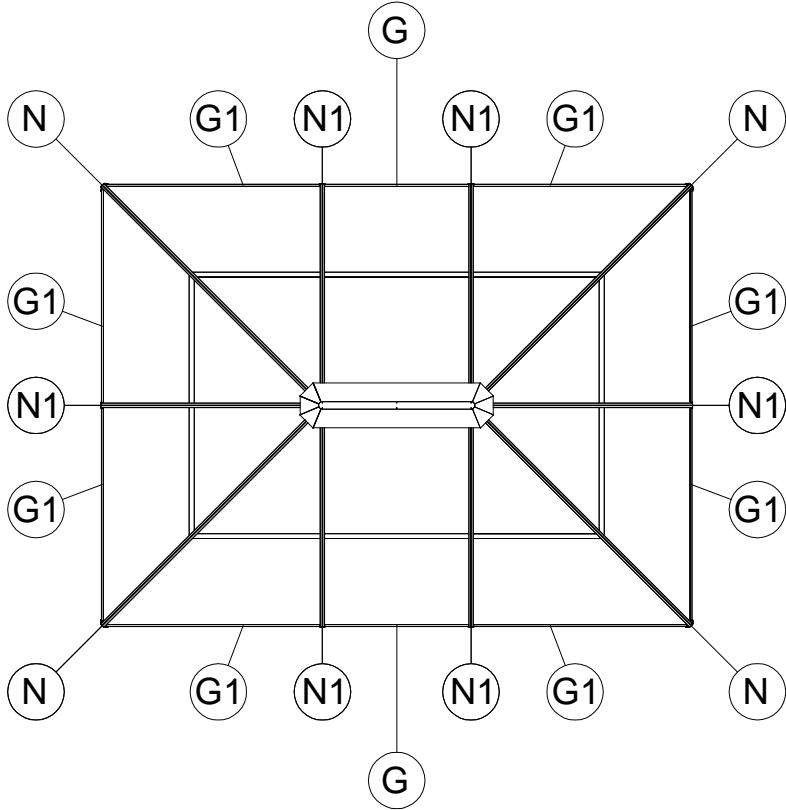
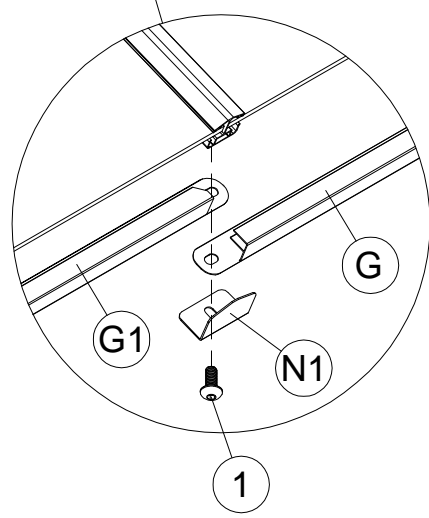
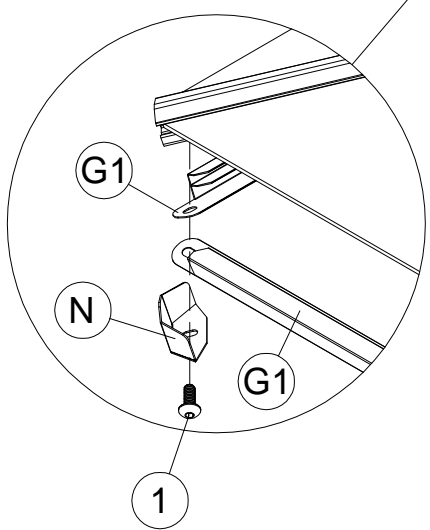
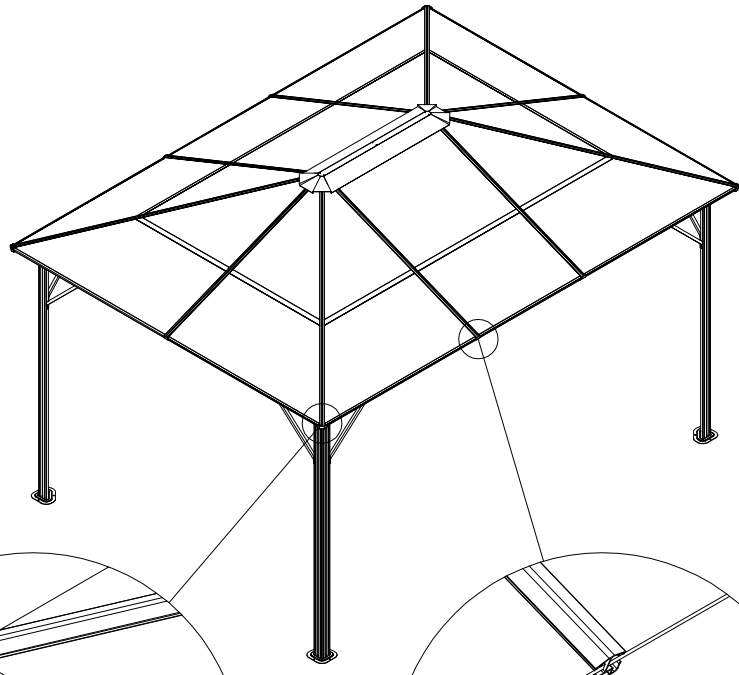
N 4x

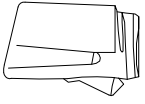


N1 6x



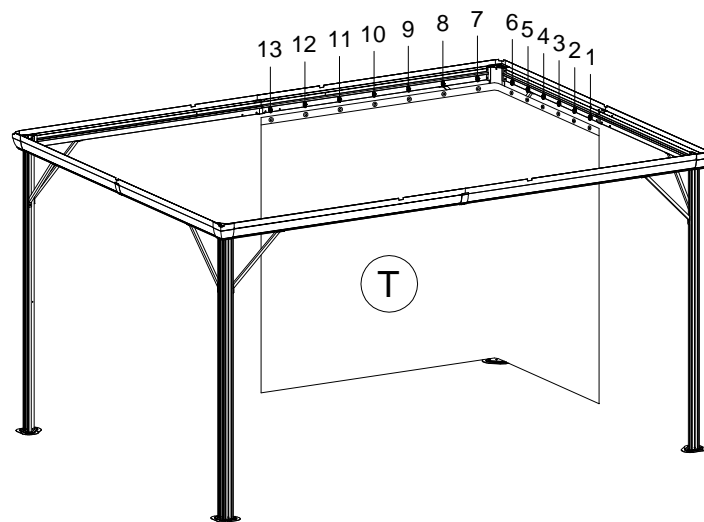
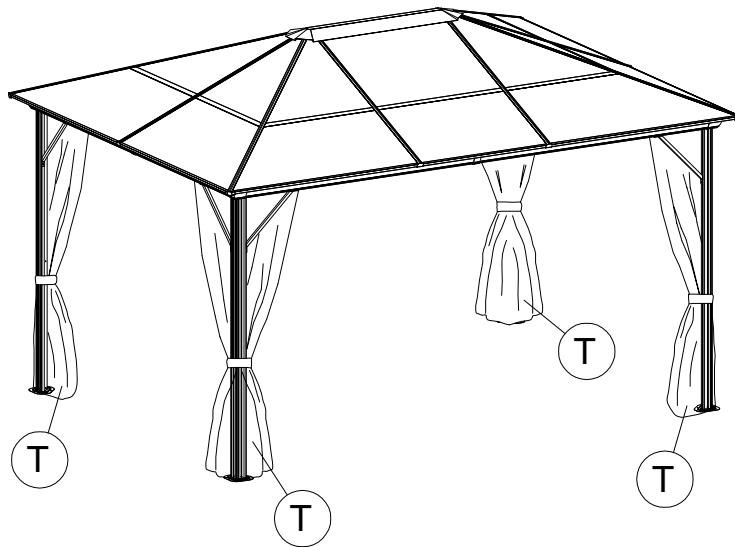
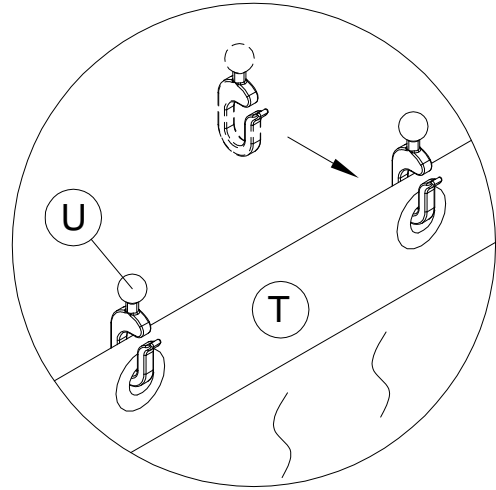
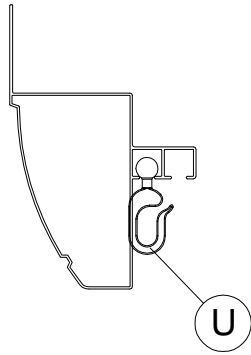
1 10x M6x15

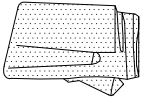




<13>

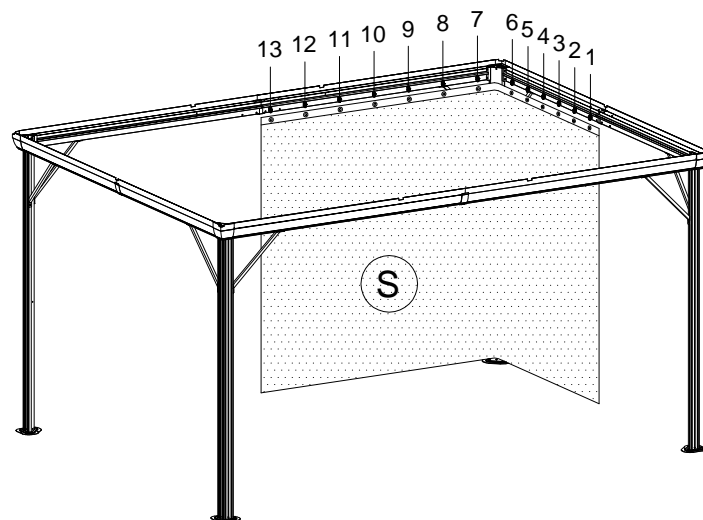
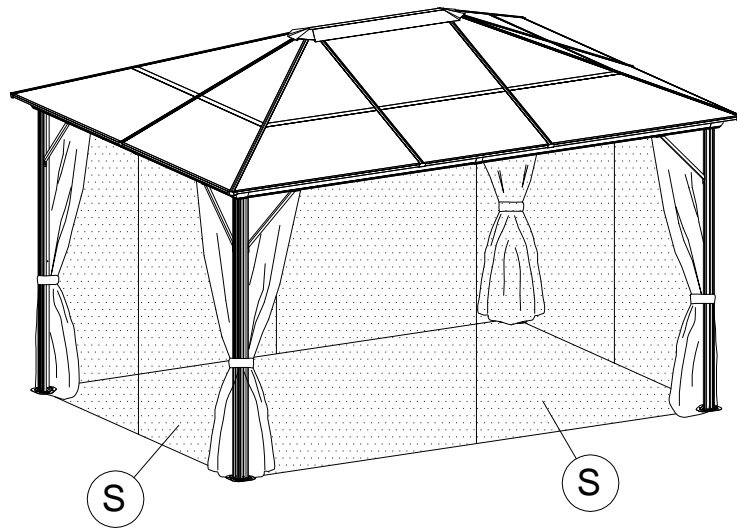
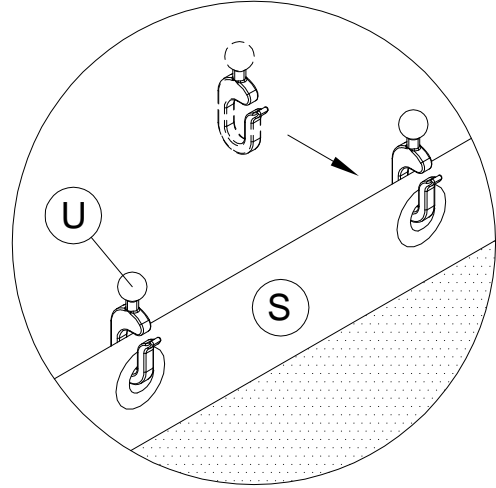
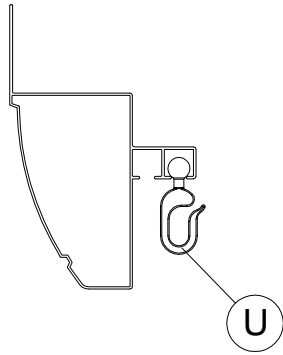
T 4x

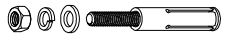




<14>

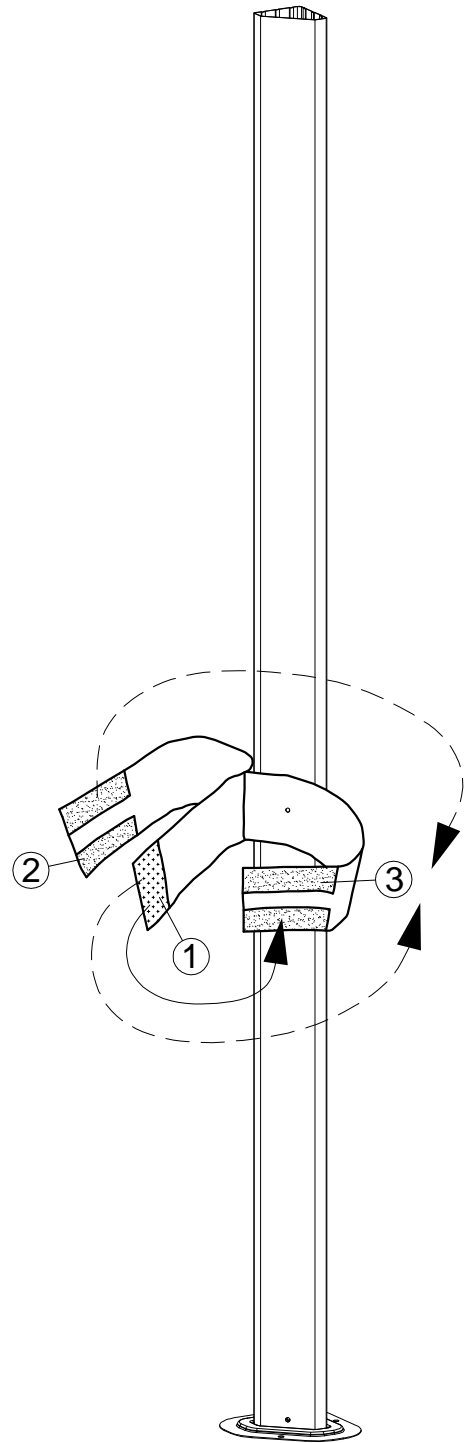
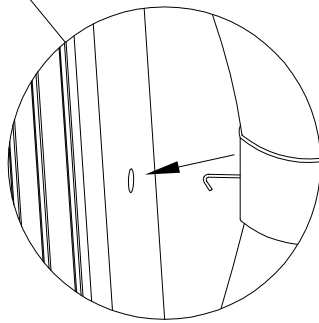
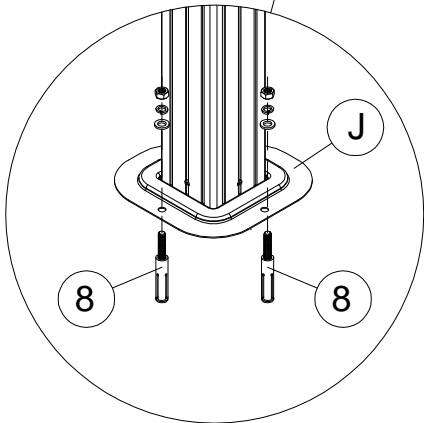
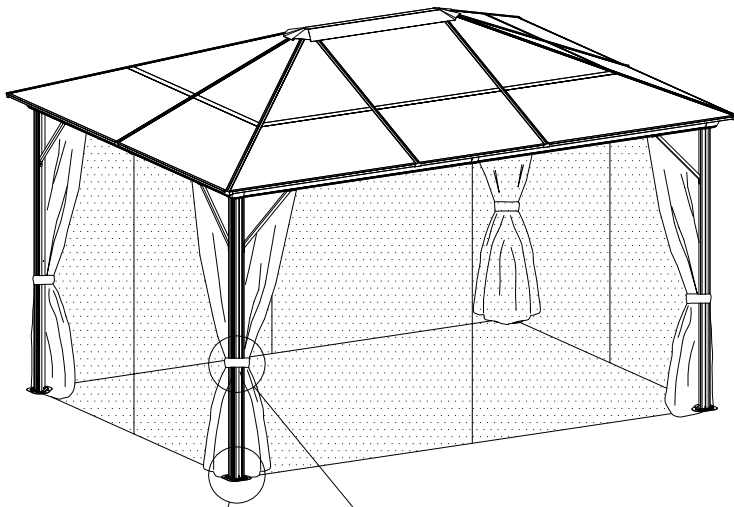
S 4x





<15>

8 12x



Note:

1. 1 stick 2 tie S and T together
2. 1 stick 3 towards back tie T
3. 1 stick 3 towards front tie S