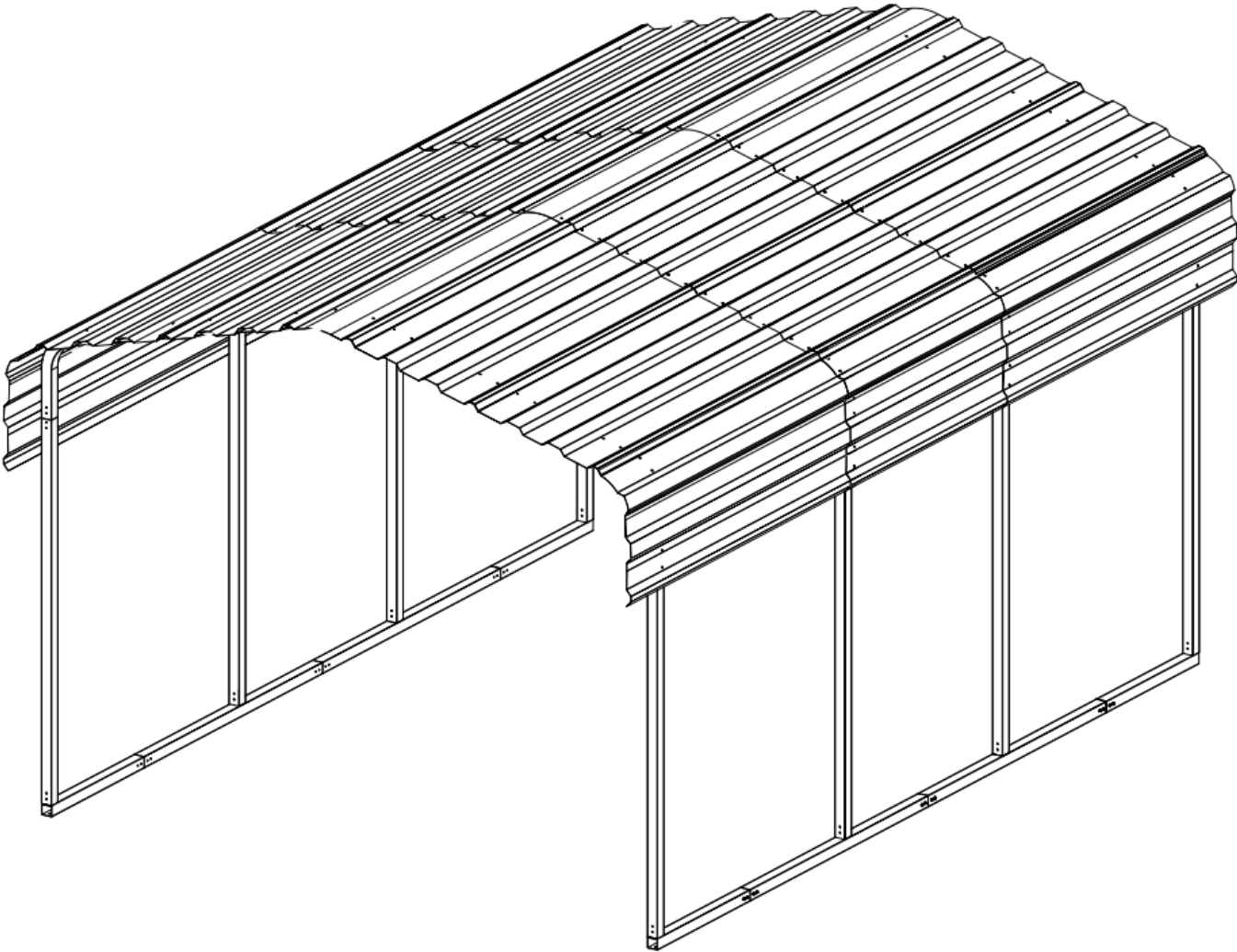
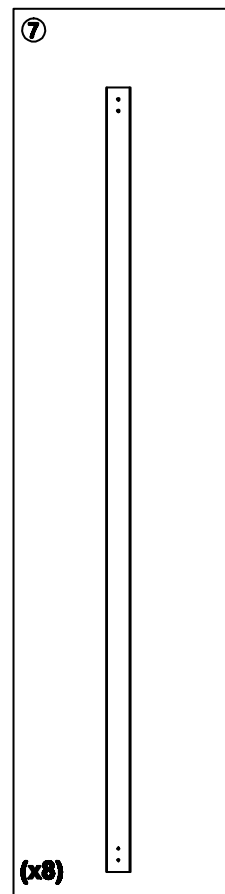
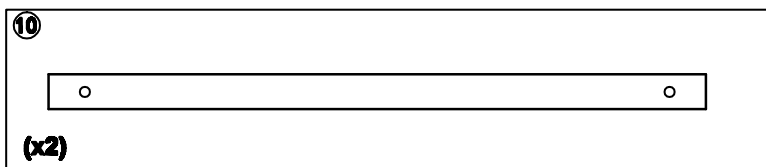
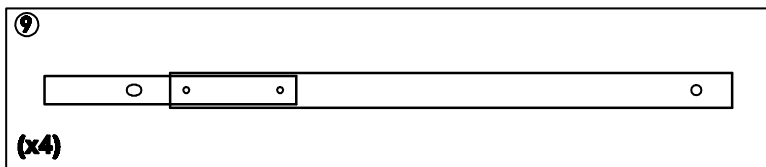
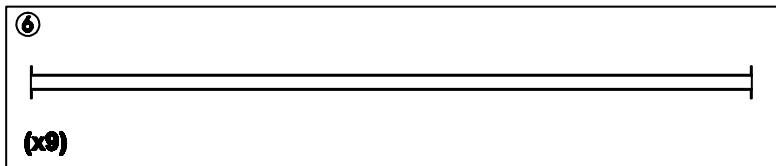
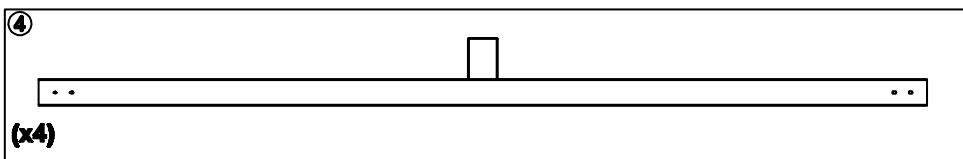
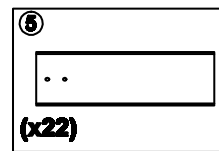
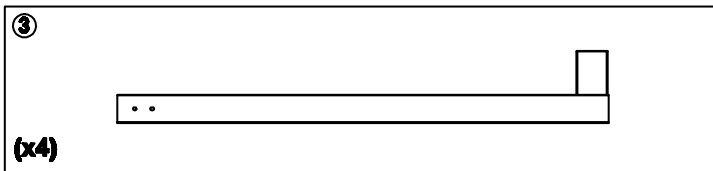
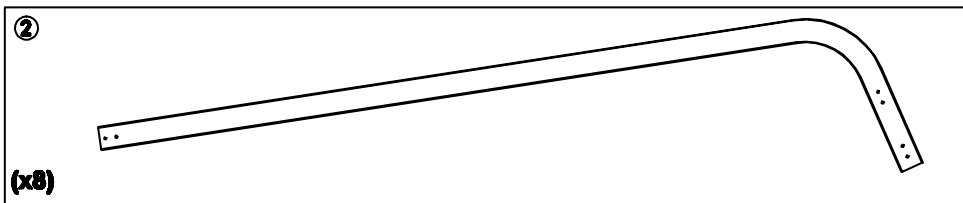
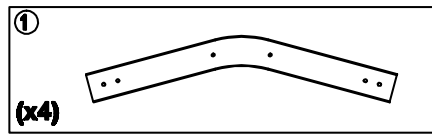
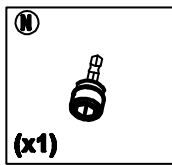
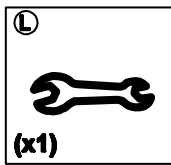
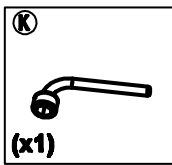
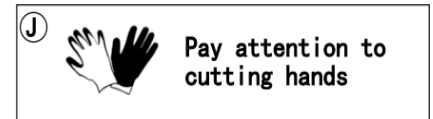
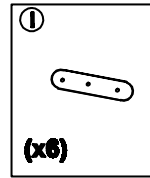
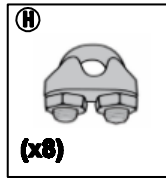
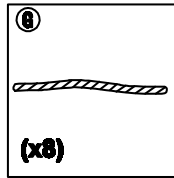
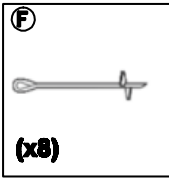
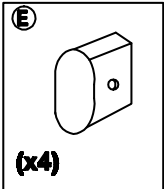
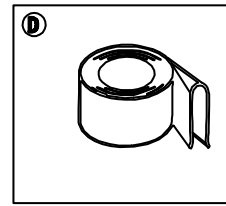
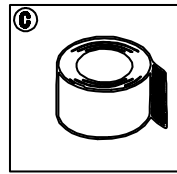
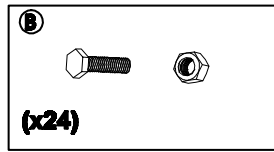
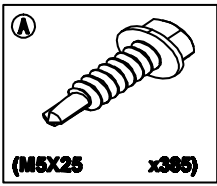


Tin Shed
BAAP001GY



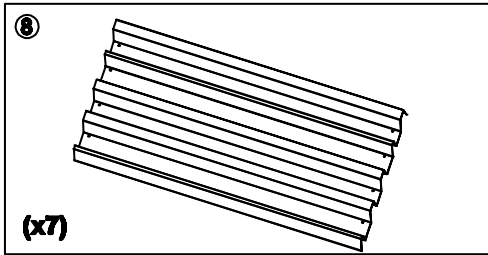
10X15 ACCESSORIES LIST

A BOX

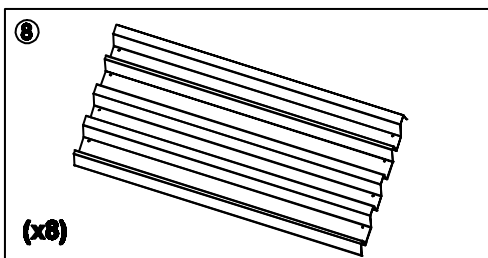


10X15 ACCESSORIES LIST

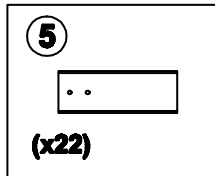
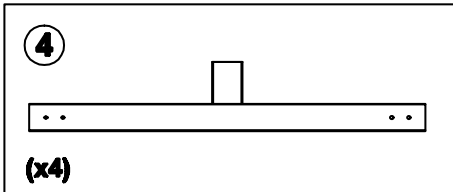
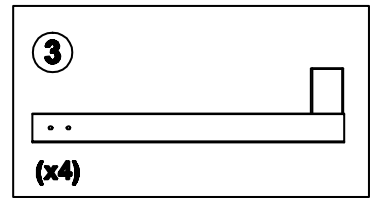
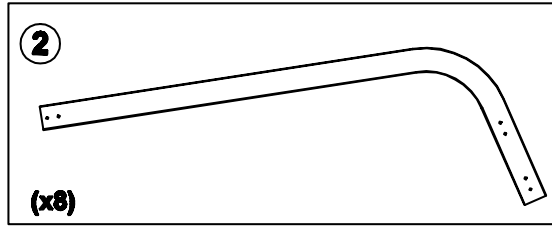
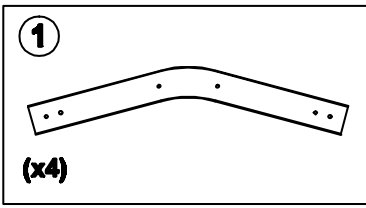
B BOX



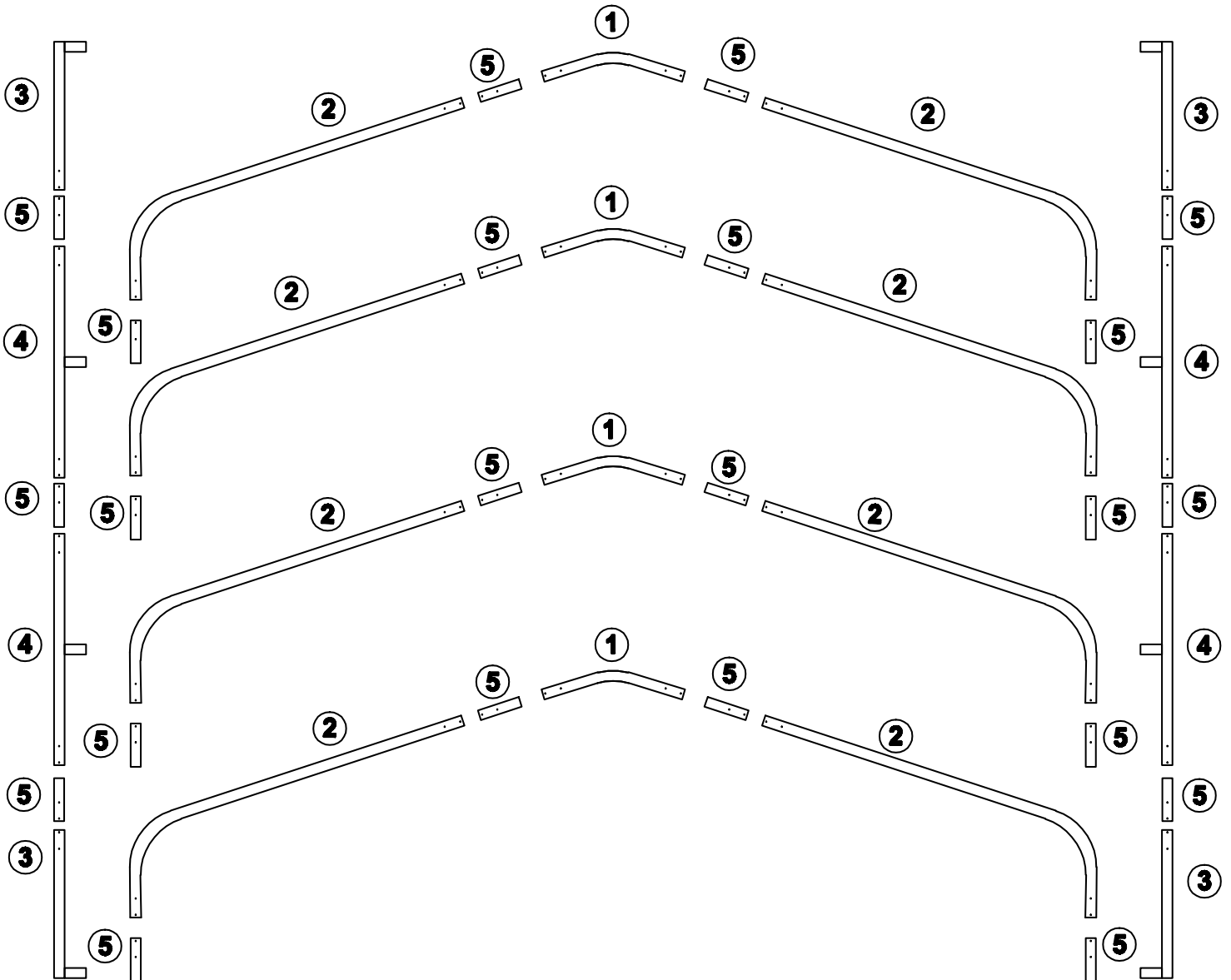
C BOX



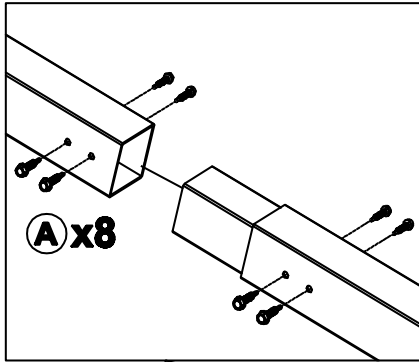
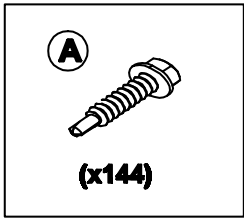
Step 1



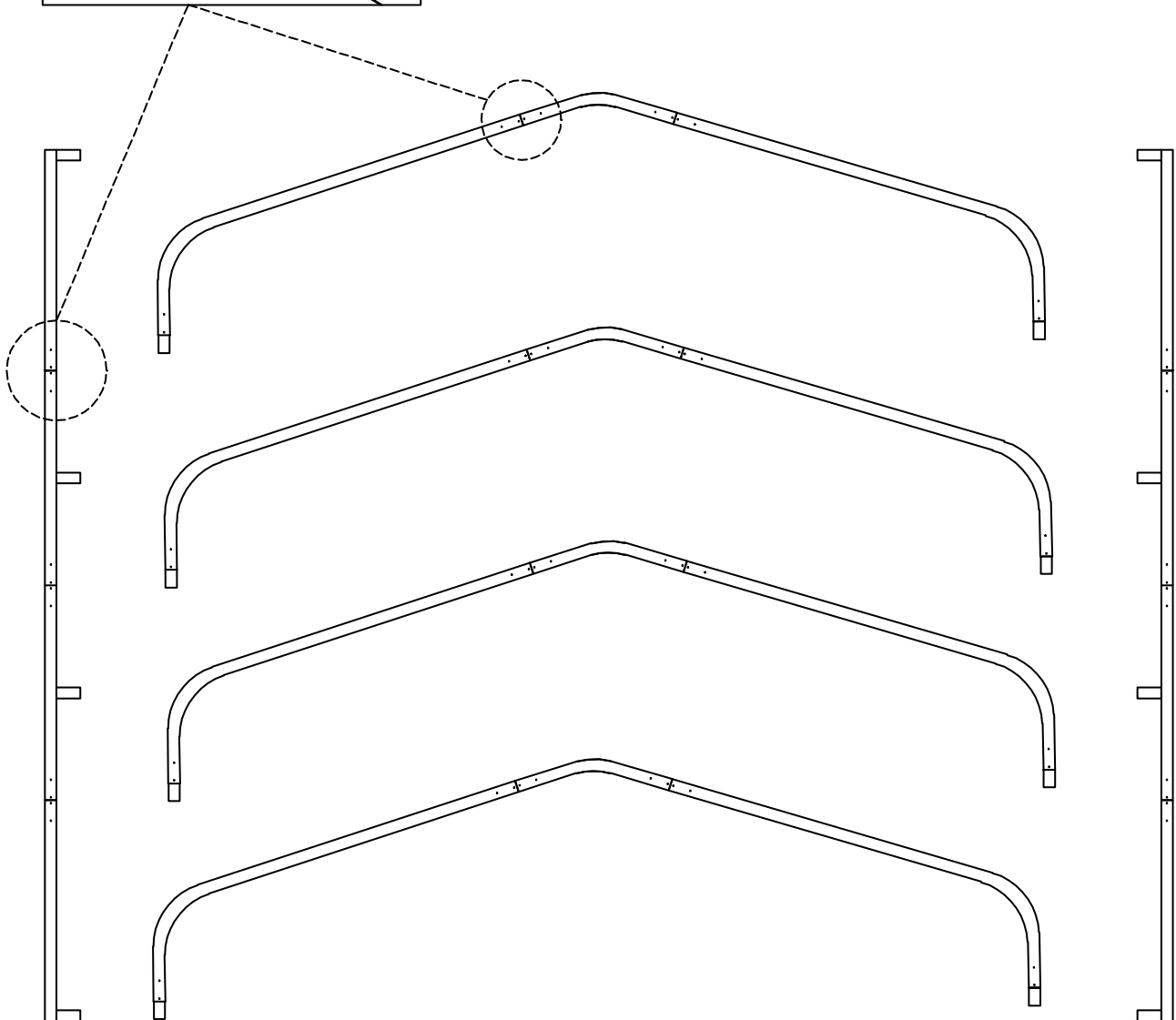
Put the parts in the space



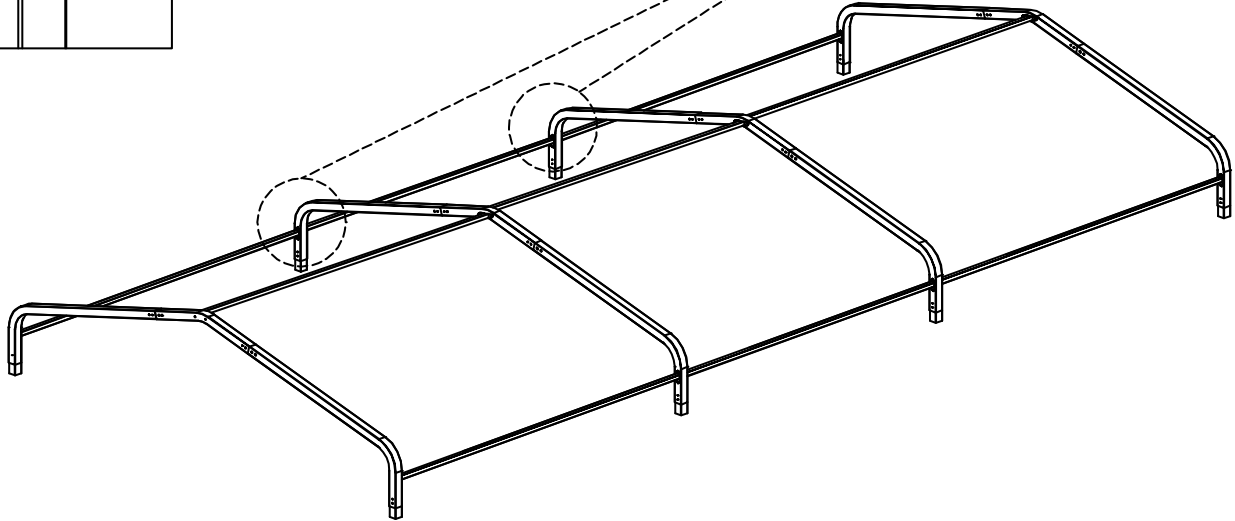
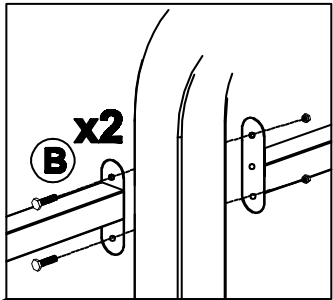
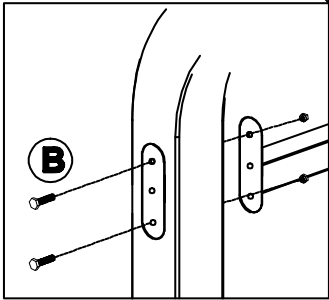
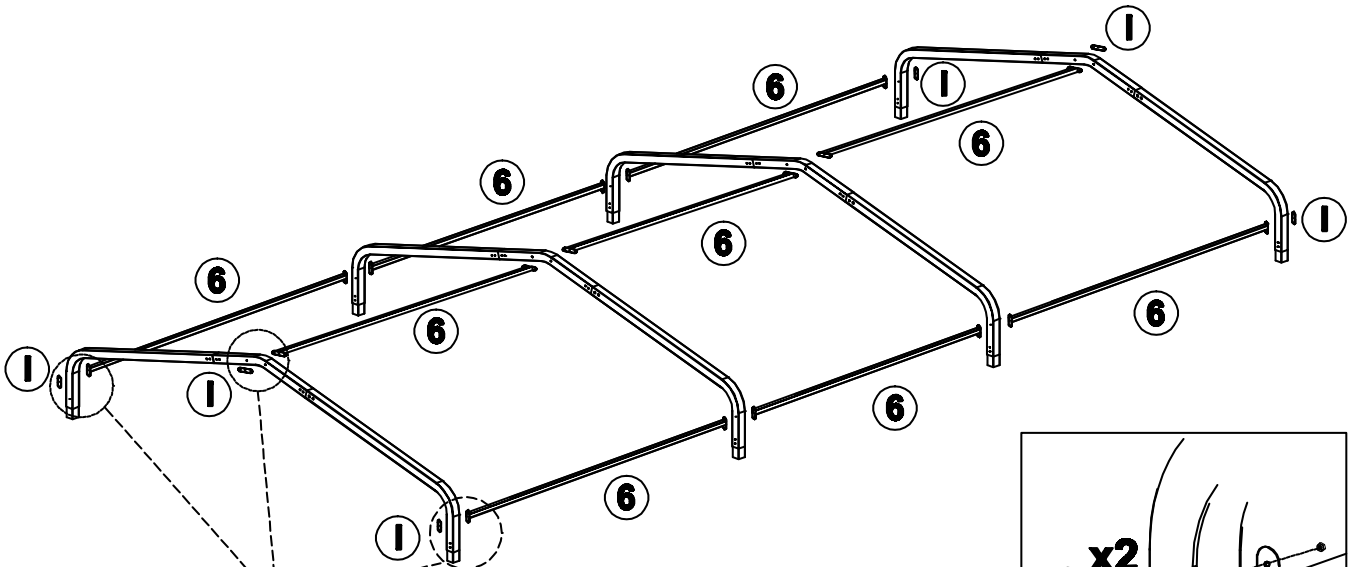
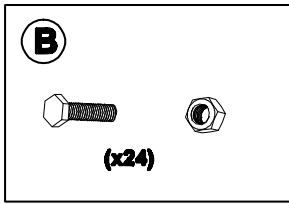
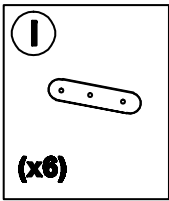
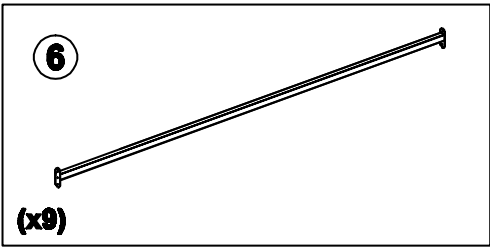
Step 2



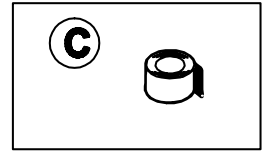
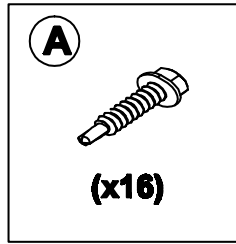
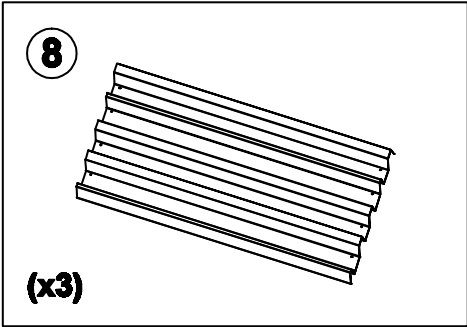
Connect each pipe fitting with screws as shown



Step 3

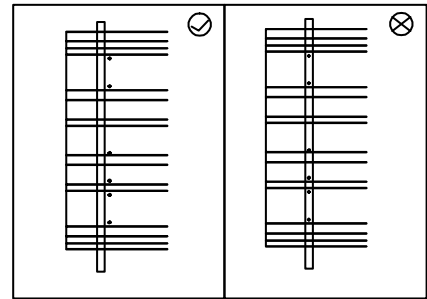


Step 4

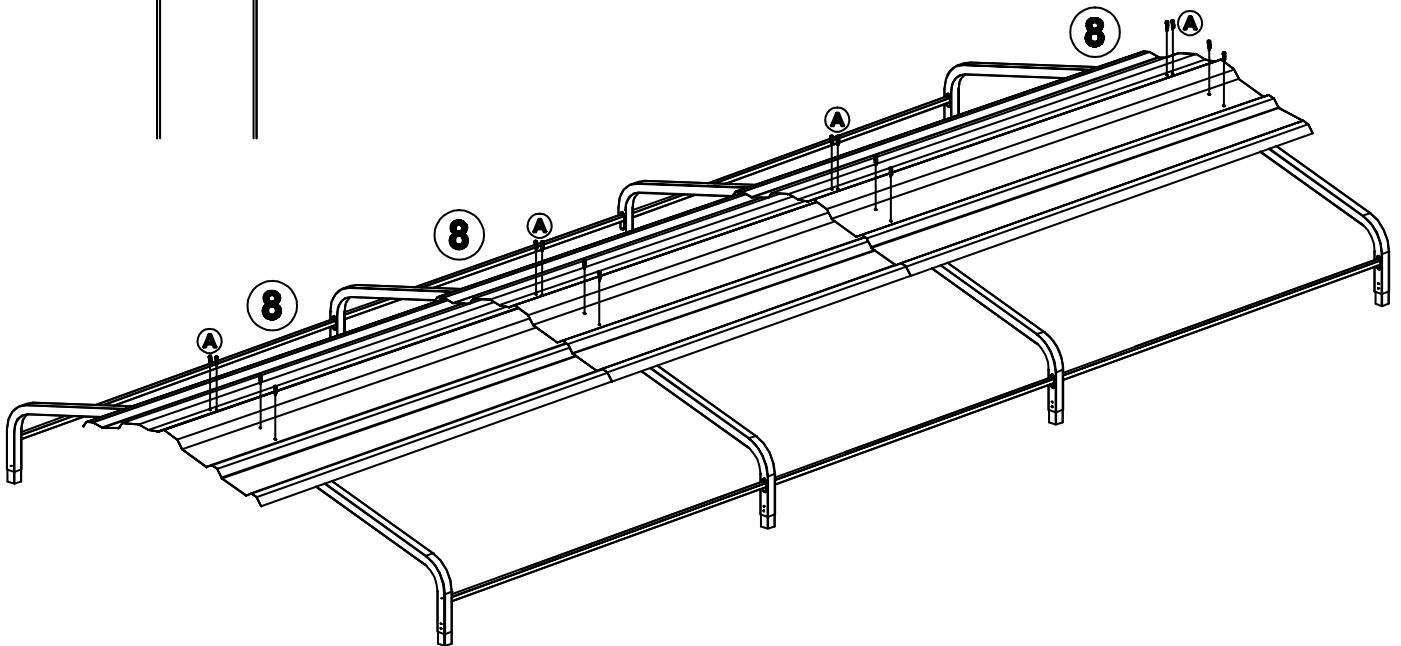
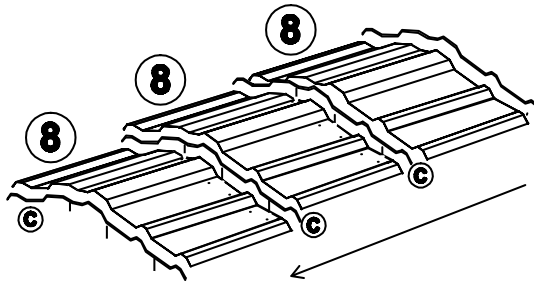


The waterproof strip is affixed to the iron pipe and do not cover the screw hole

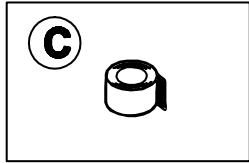
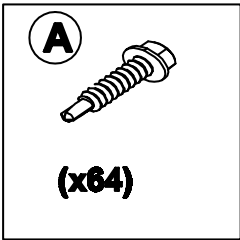
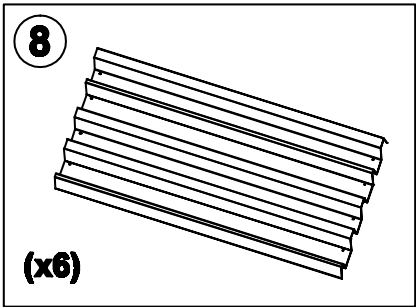
Color steel tile laying to a direction, then and drainage.



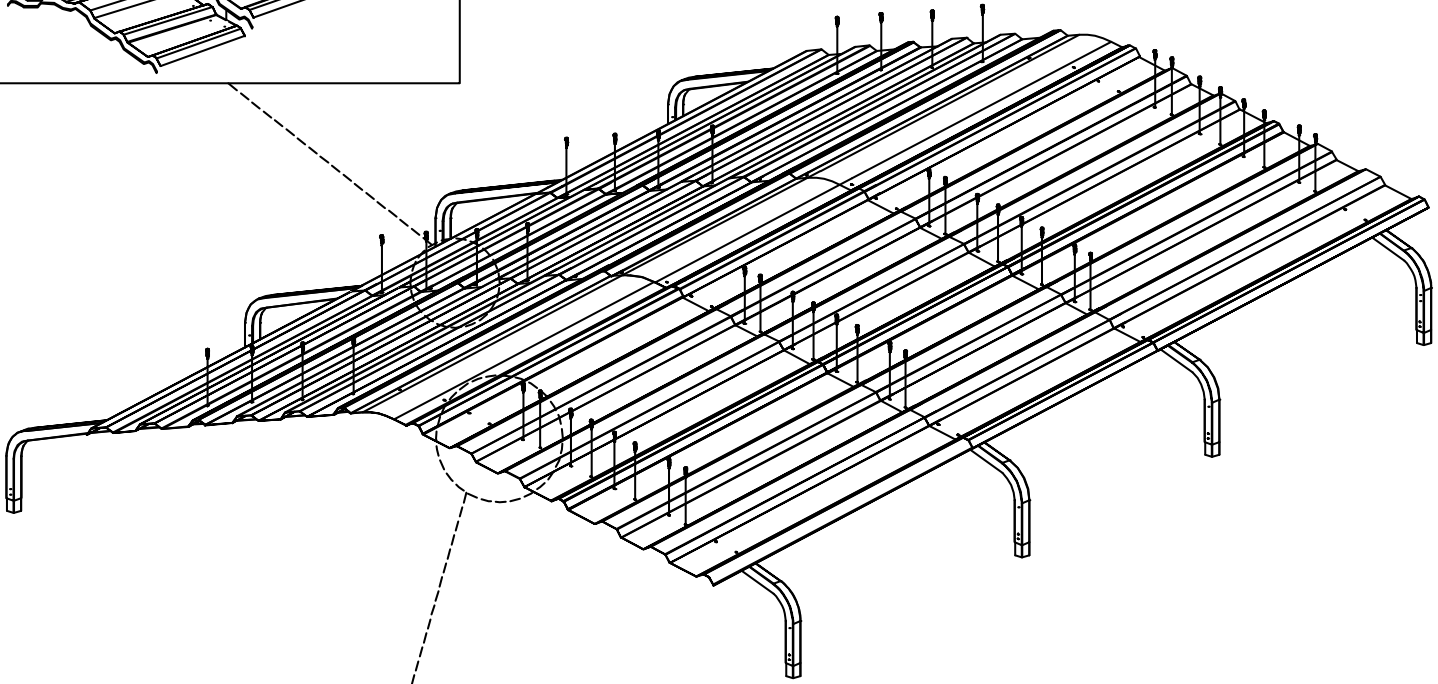
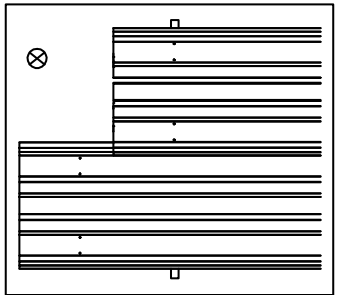
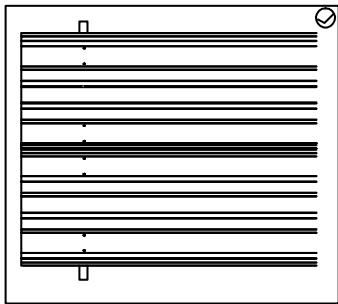
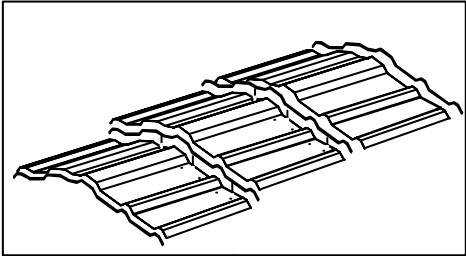
Color steel tile sticking out of 8cm



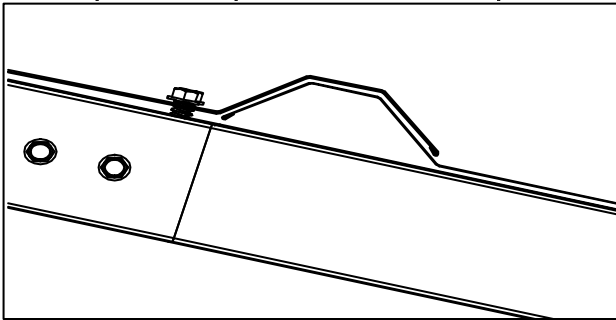
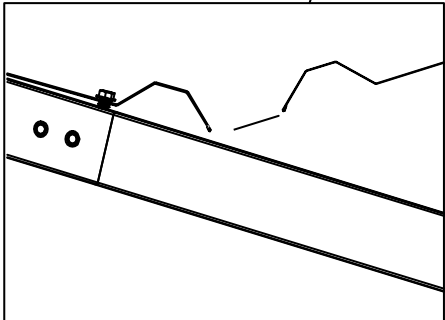
Step 5



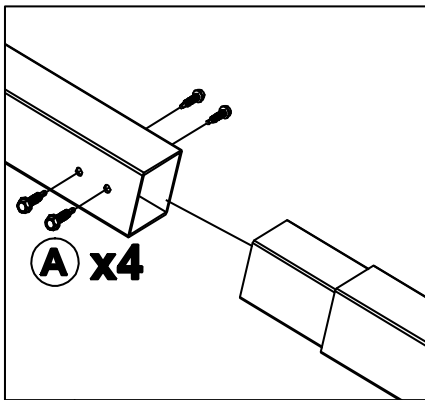
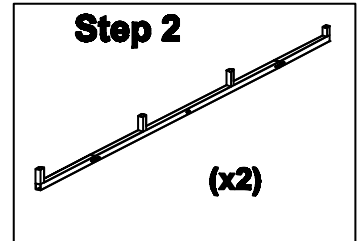
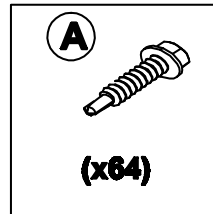
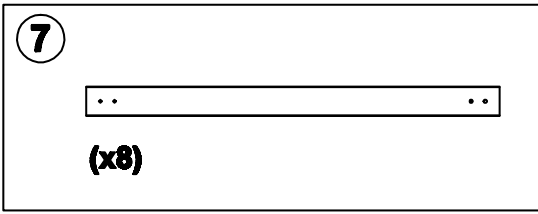
The waterproof strip is affixed to the iron pipe and do not cover the screw hole



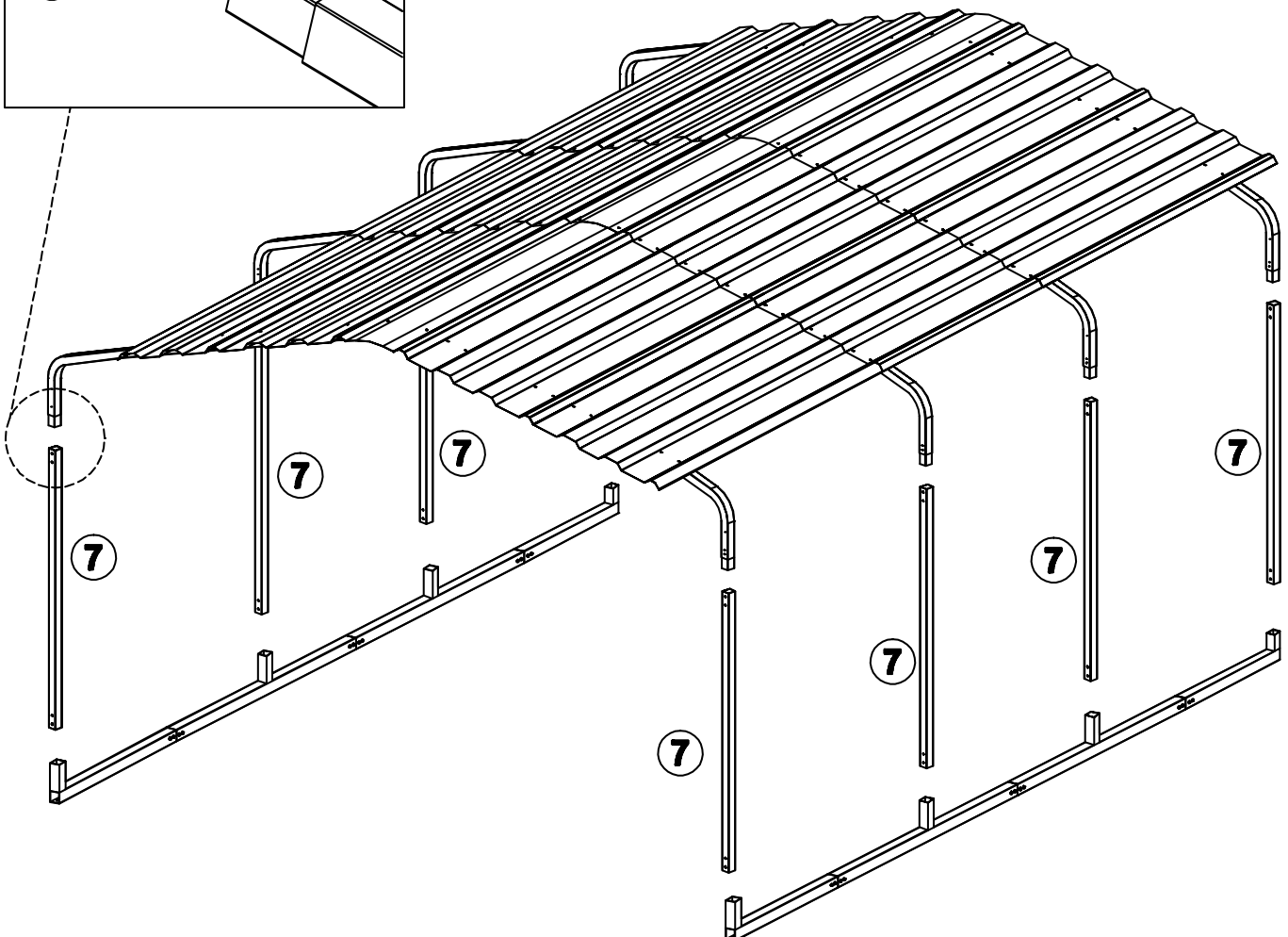
Color steel tile connection should pay attention to the above a piece of pressure below a piece, to prevent water



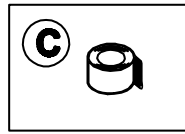
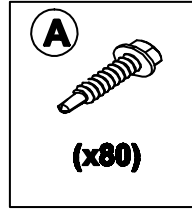
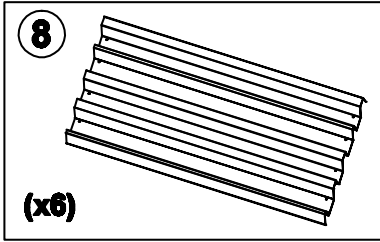
Step 6



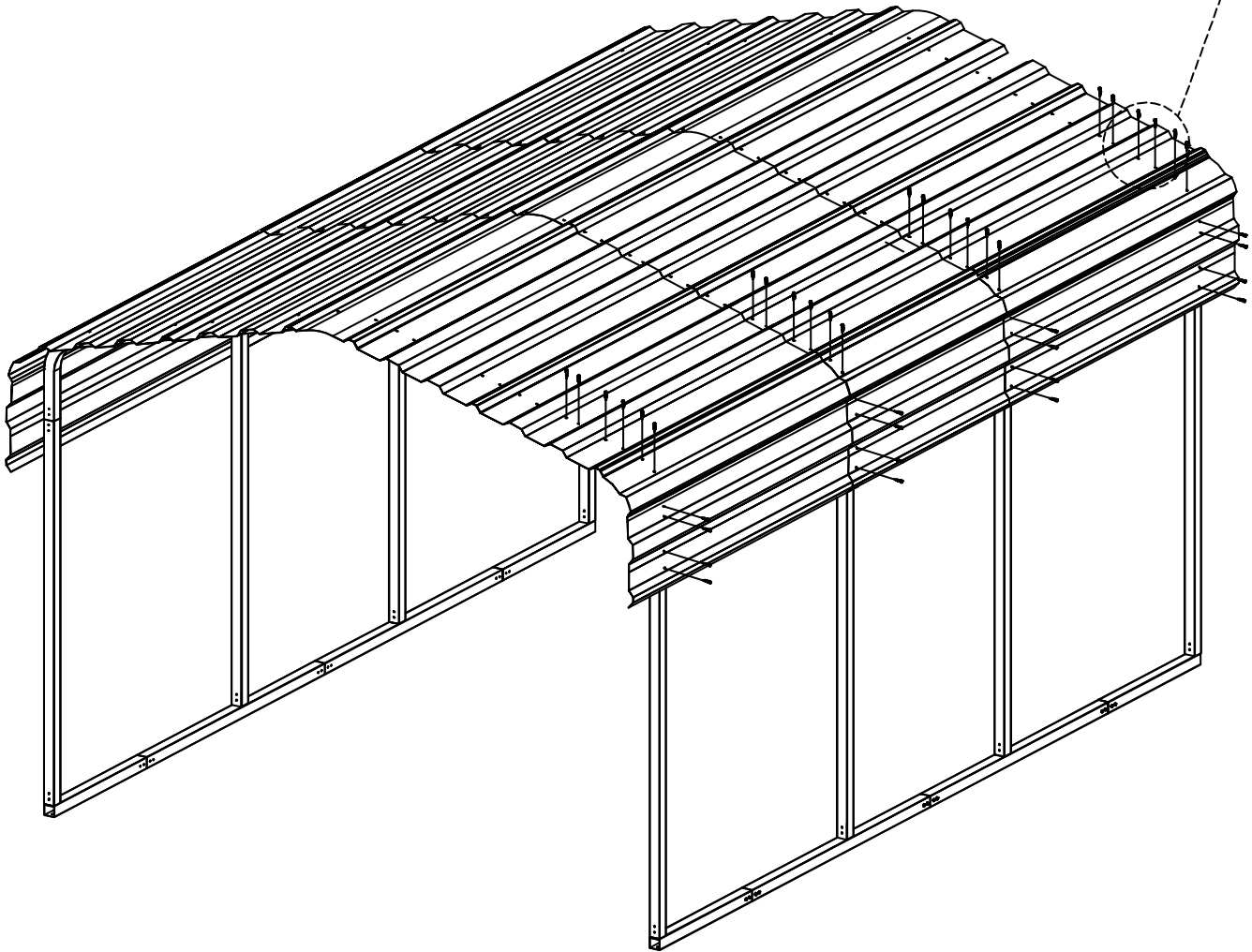
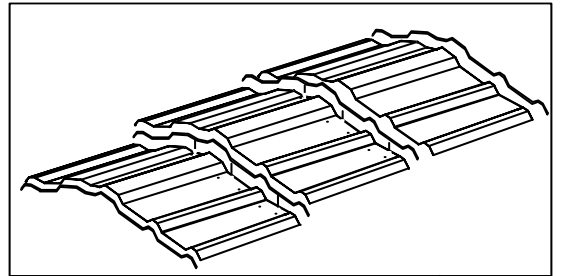
Install the leg tube



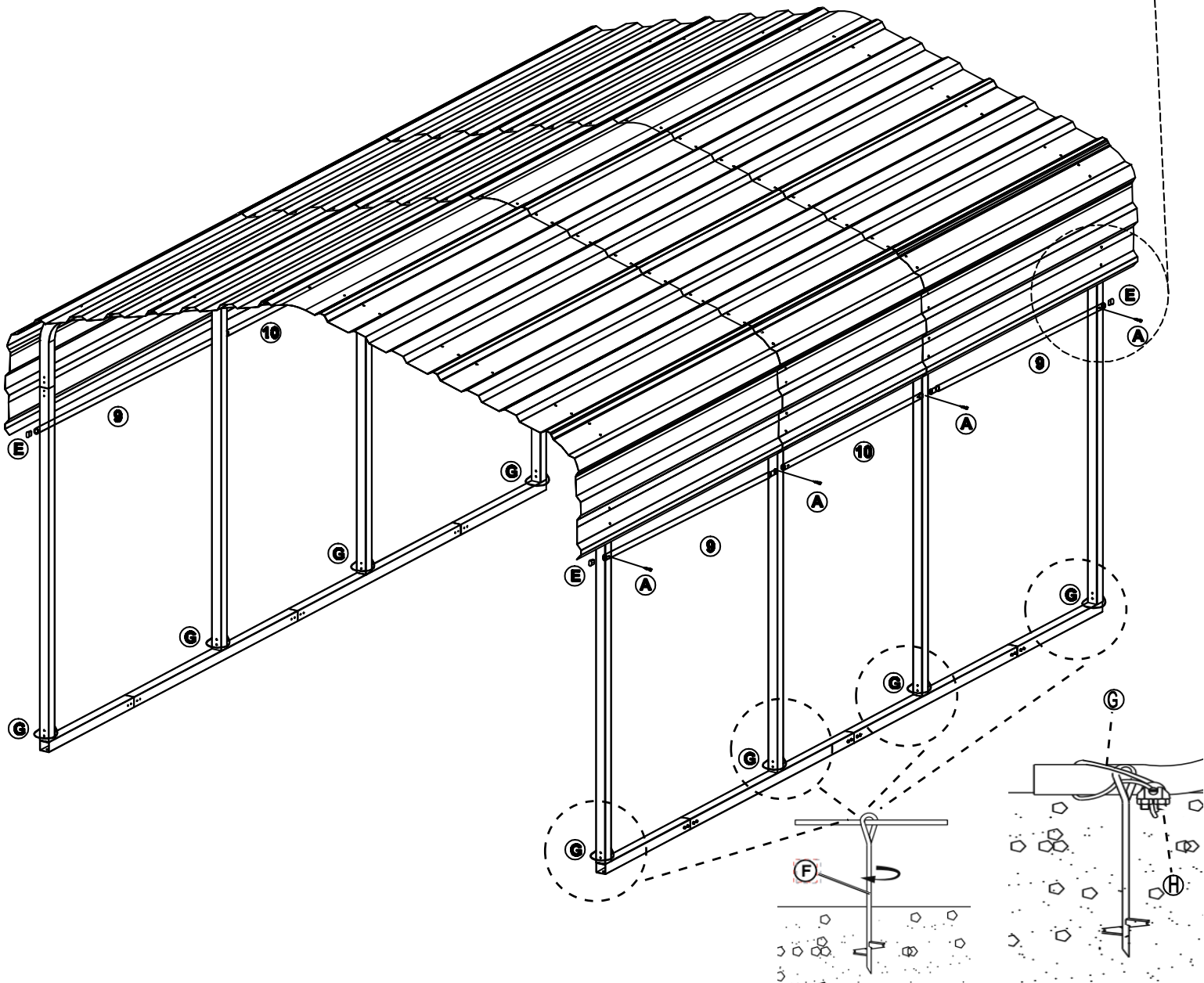
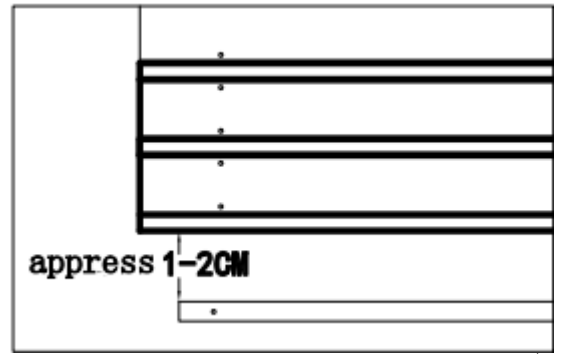
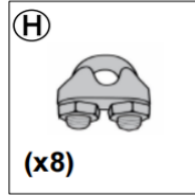
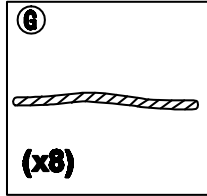
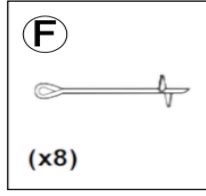
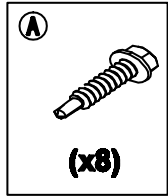
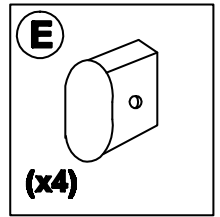
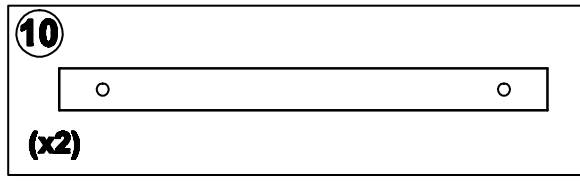
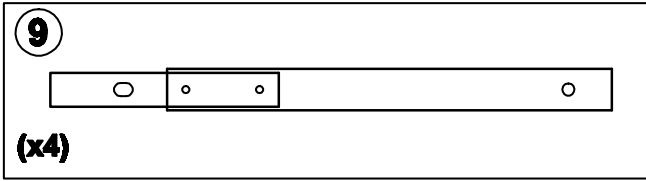
Step 7



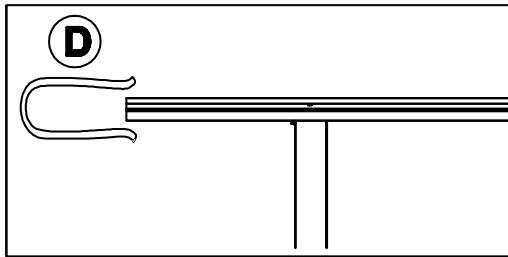
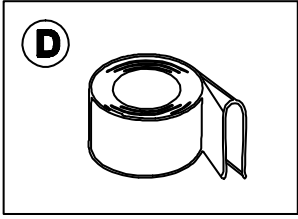
The waterproof strip is affixed to the iron pipe and do not cover the screw hole



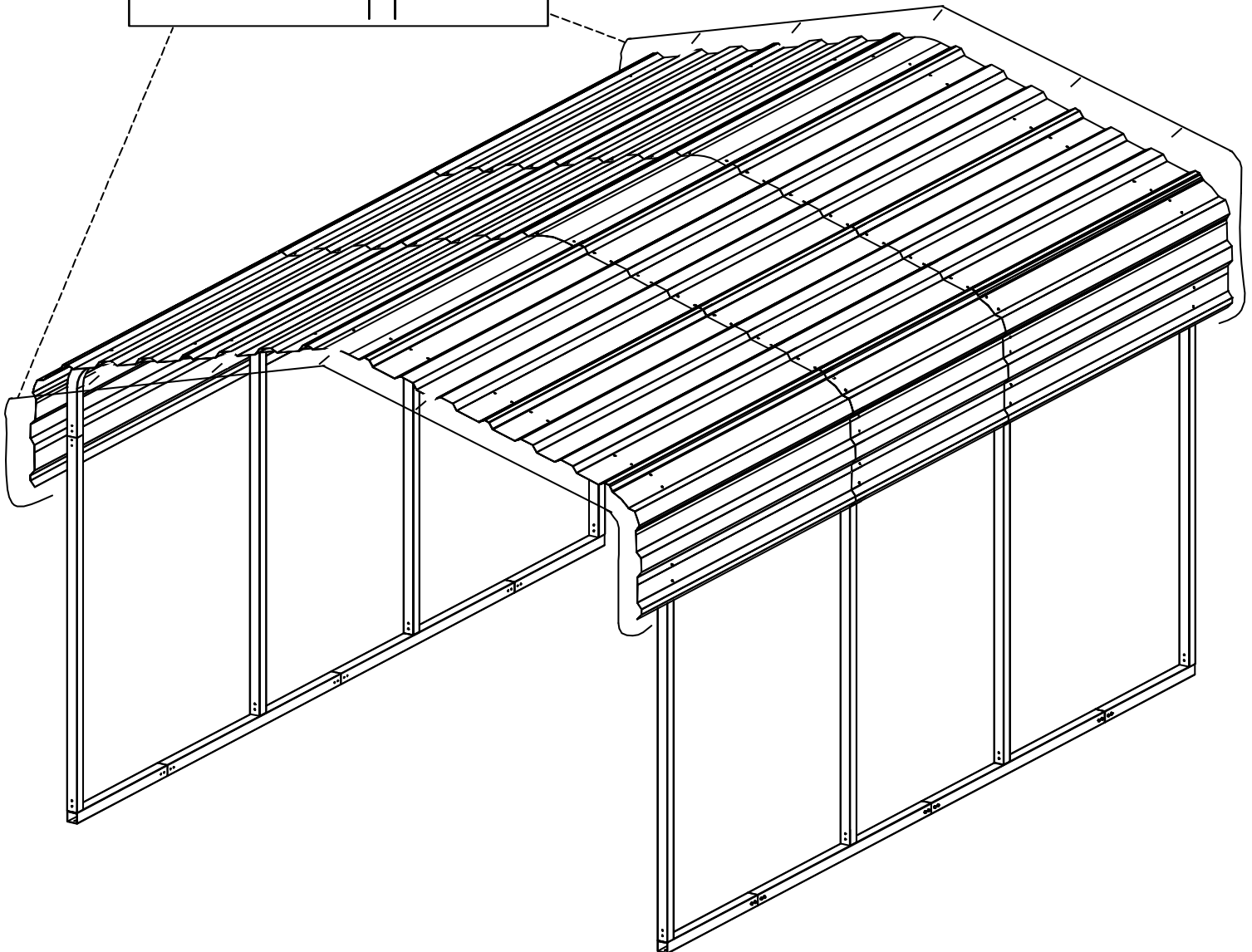
Step 8



Step 9



To extend the package of the color steel tile pointed Angle, to prevent injuries.



TIP



The extra part of the model A screw is used for the situation shown in the circle above, and the customer decides whether to install it, if installed, as shown in the circle below.

