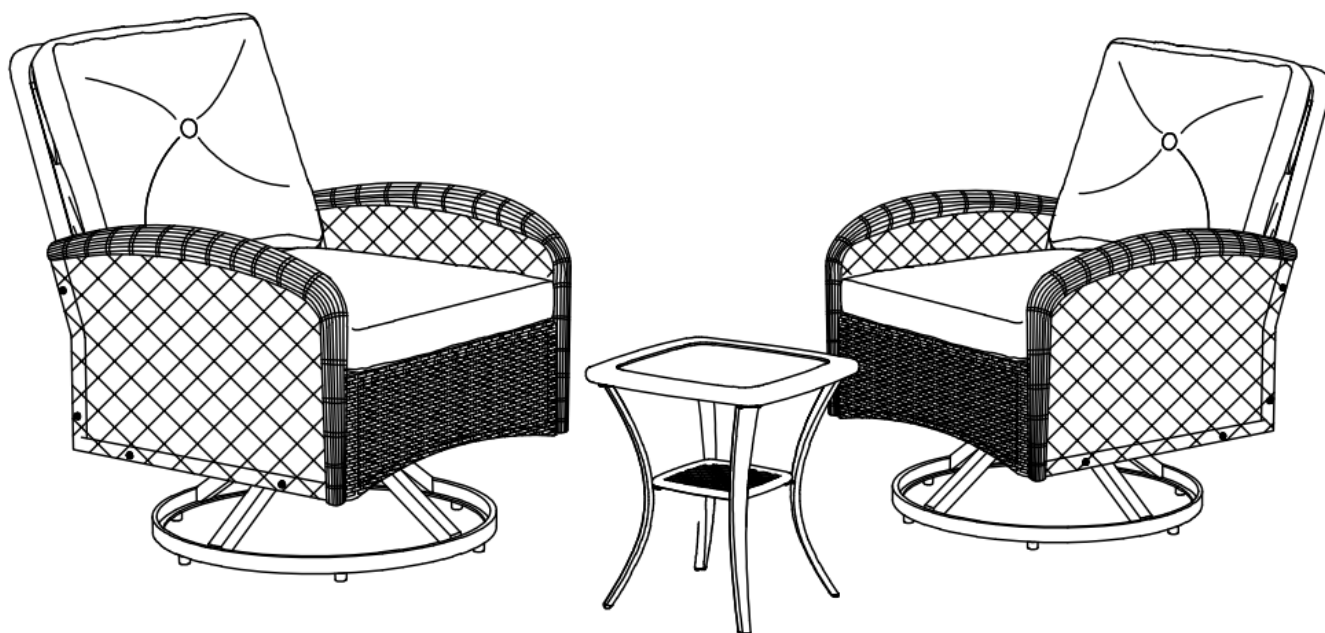


INSTRUCTION MANUAL ENCLOSED

3PCS Steel Wicker Swivel Rocker Bistro Set

SKU: BAAA003BU / BAAA003GY
BAAA003KK / BAAA003WR / BAAA003NA

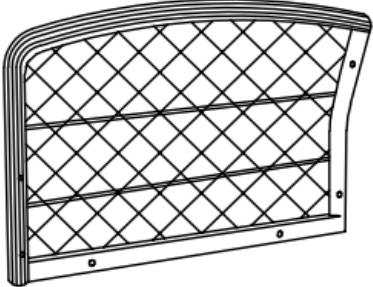
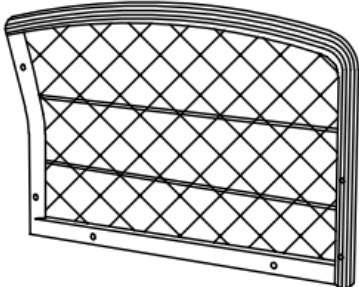
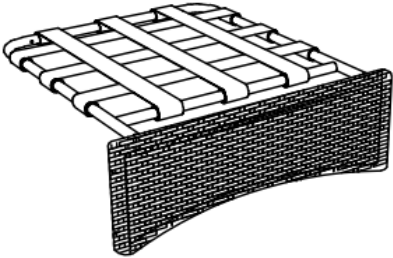
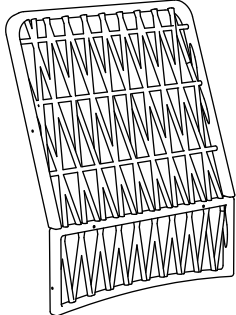
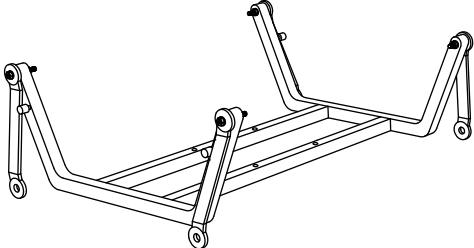
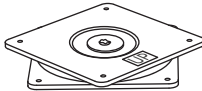
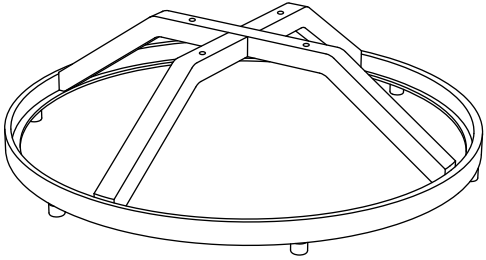
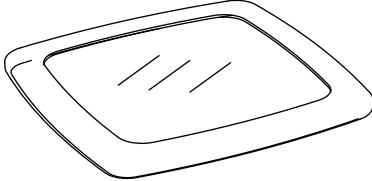

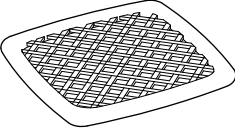
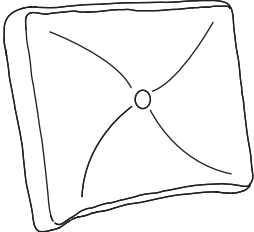


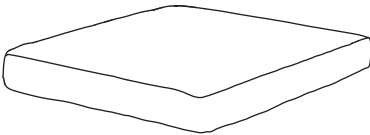
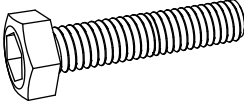
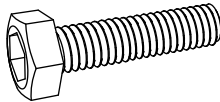
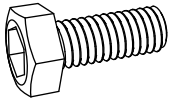

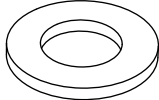

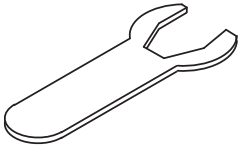
DEAR CUSTOMER,

Thank you for choosing our product. Please read this manual carefully before assembling or using the product, to avoid damage caused by improper use. If the product is passed on to third parties, this manual has to be passed on along with the product. For any question don't hesitate to contact us.

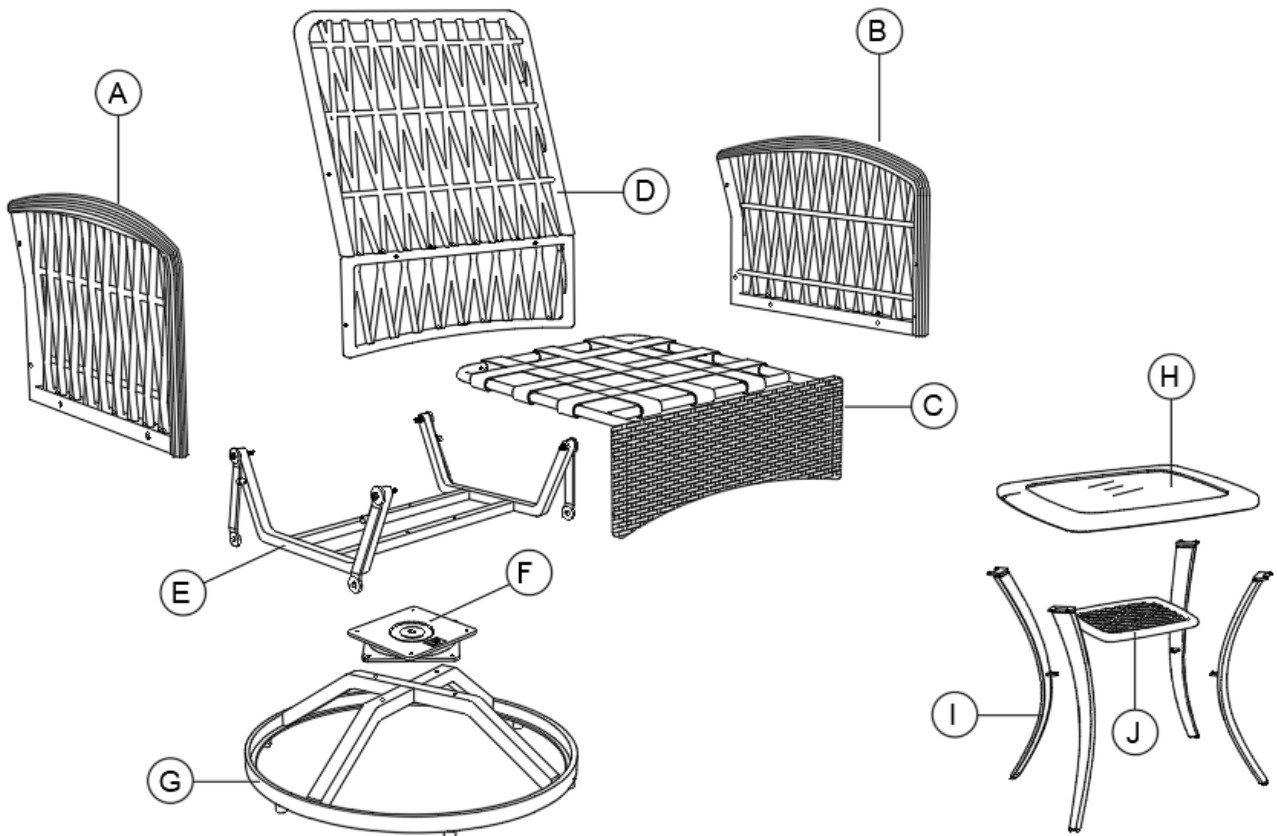
Before your installation, please make sure that you have all the parts listed on the manual. If you find that something is missing, please stop installing and contact our customer service immediately. We will solve your issue as soon as possible.

PARTS LIST

A  2×	B  2×	
C  2×	D  2×	
E  2×	F  2×	
G  2×	H  1×	
I  4×	J  1×	K  2×

L	2×	M	28×	N	16×
			M6×40MM		M6×35MM
O	12×	P	24×	Q	80×
	M6×15MM				
R		1×	S		1×
	Spanner			Spanner	

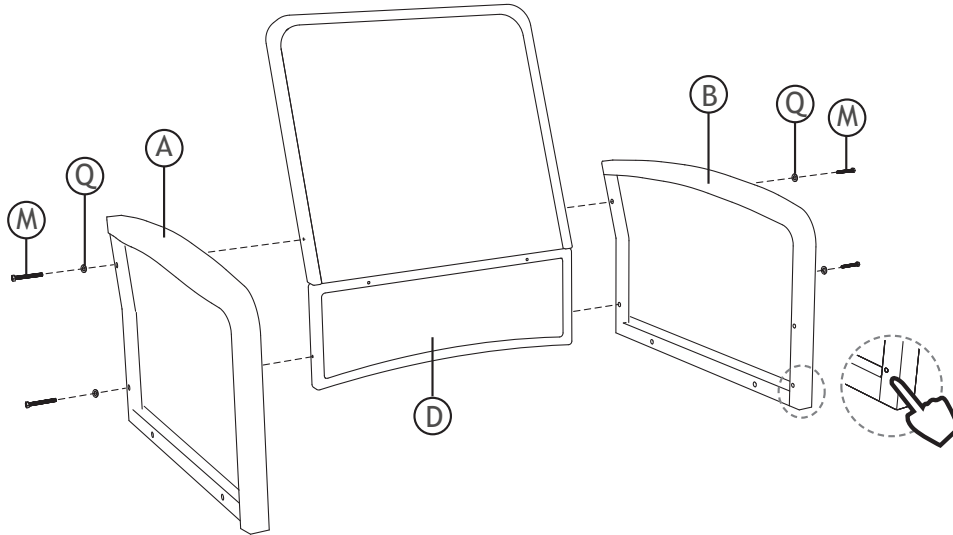
Exploded View



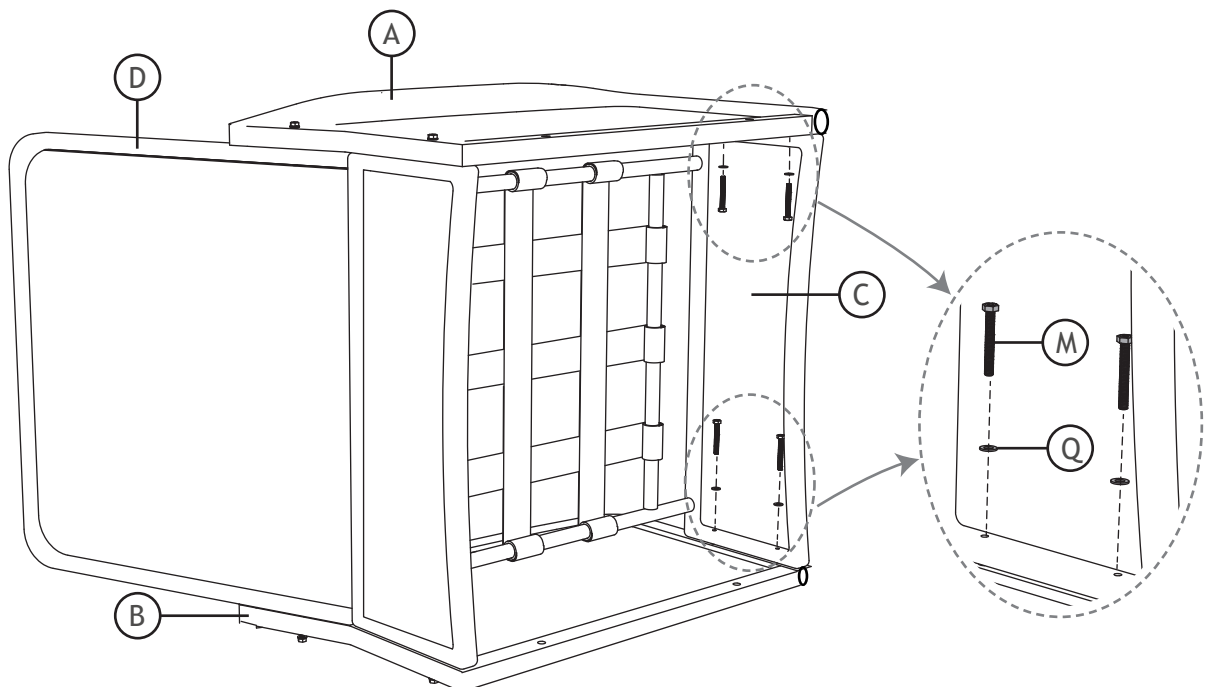
ASSEMBLY

- Please do not completely tighten all the hardware until the entire assembly is completed!
- In order to let you clearly see the position of the screw holes, we omitted the rattan pattern in the parts on the installation step.

1 Locate the Armrests(A & B) to the Chair Back(D) by the pre pre-drilled threads. Fasten Bolts(M) with Washers (Q) by using Allen Key(R) to combine armrests and chair back together.

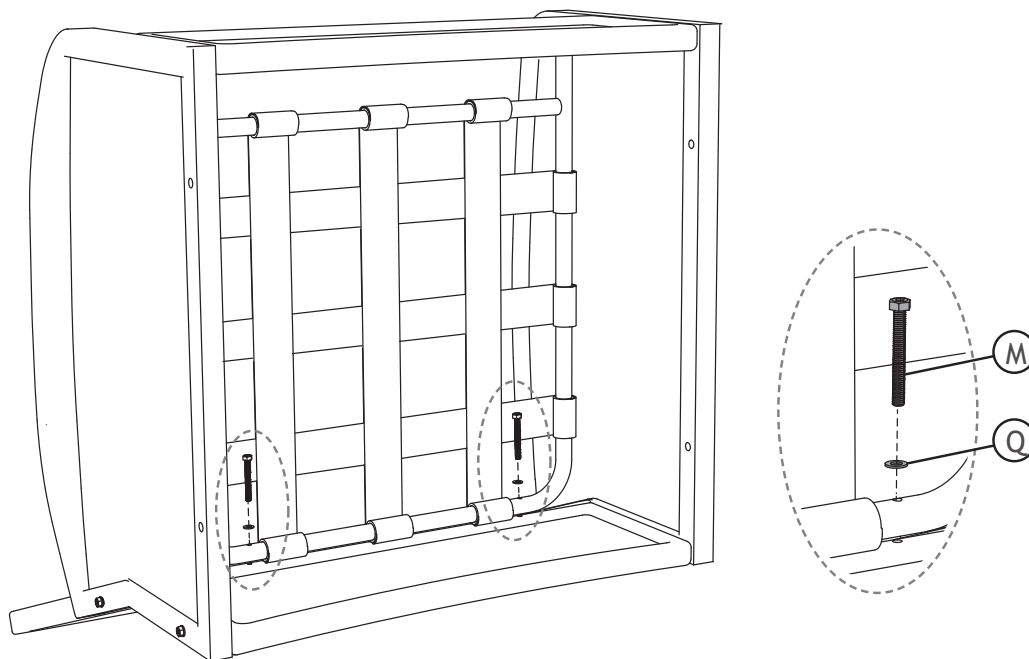


2 Locate the Chair Seat(C) to the Armrests(A & B) by the pre-drilled threads. Fasten Bolts(M) with Washers (Q) by using Allen Key(R) to combine armrests and chair seat together.



3

3. Locate the Chair Seat(C) to the Chair Back(D) by the pre-drilled threads. Fasten Bolts(M) with Washers (Q) by using Allen Key(R) to combine chair seat and chair back together.

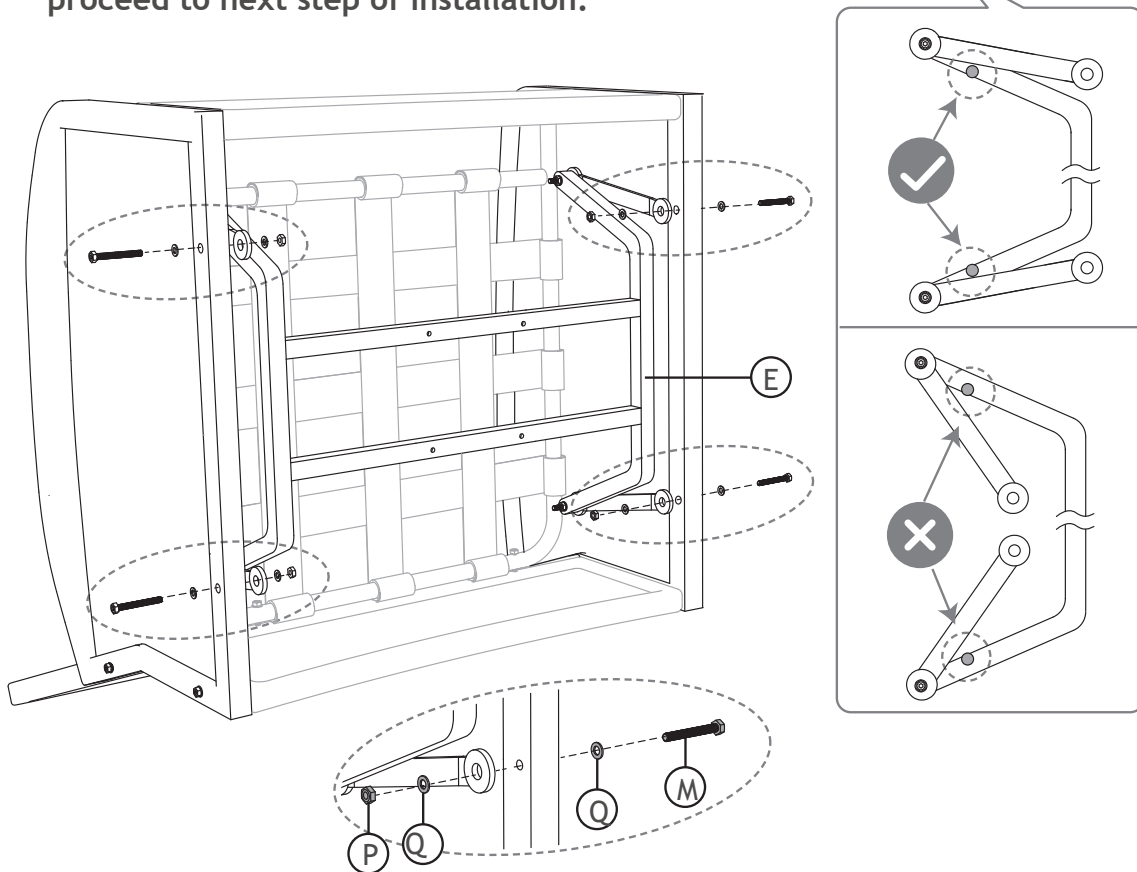


4

4. Locate the Rocking Track(E) to the Armrests' bottom(A & B) by the pre-drilled threads. Fasten Bolts(M) into Washers (Q) & Screw Nuts(P) by using Allen Key(R) and Hex Spanner(S) to combine rocking rack and the chair main part together. 4 bolts should be fastened totally.

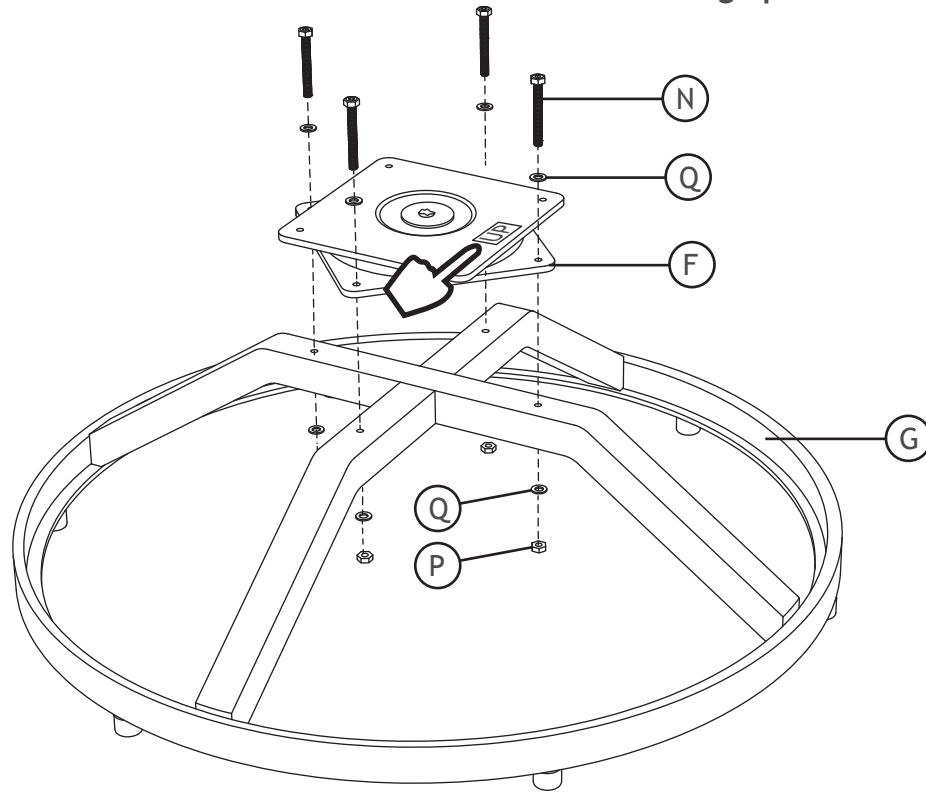


Please make sure that the placement of the part E is exactly the same as the picture (Two swing arms are outside the black plastic part), and then proceed to next step of installation.

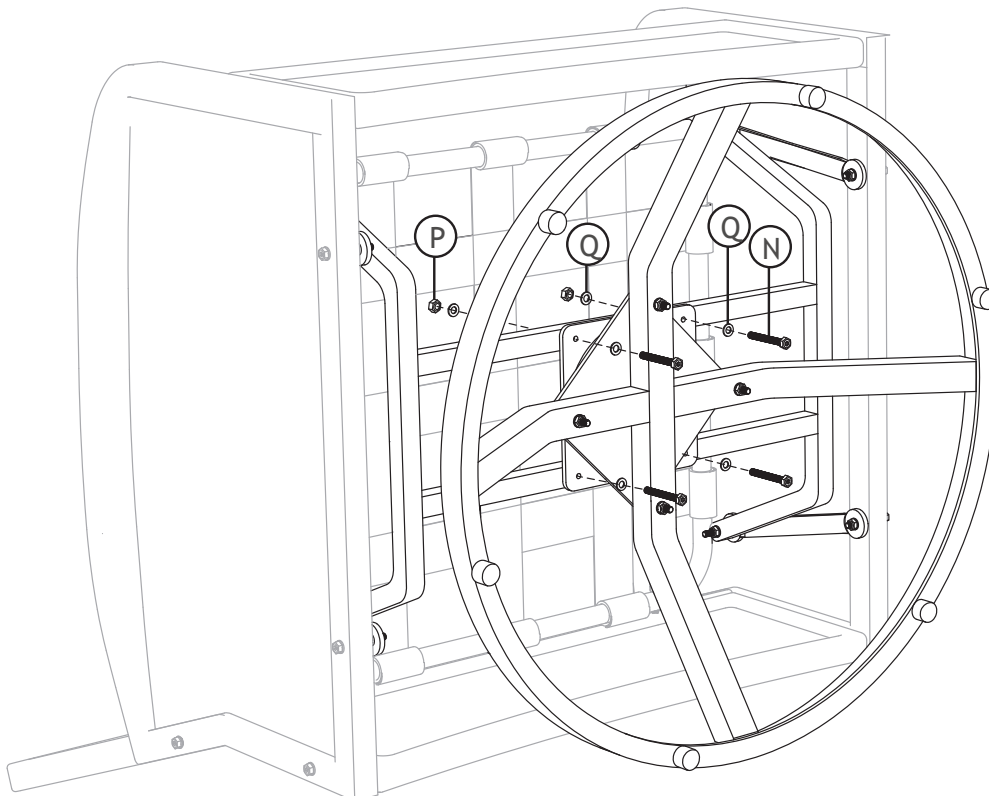


- 5** Fasten Bolts(N) into Washers (Q)&Screw Nuts(P) by using Allen Key(R) and Hex Spanner(S) to combine Swivel turnplate (F) and Base(G) together. 4 bolts should be fastened totally. 8 Washers (Q and 4 Screw Nuts(P) are needed for this step .

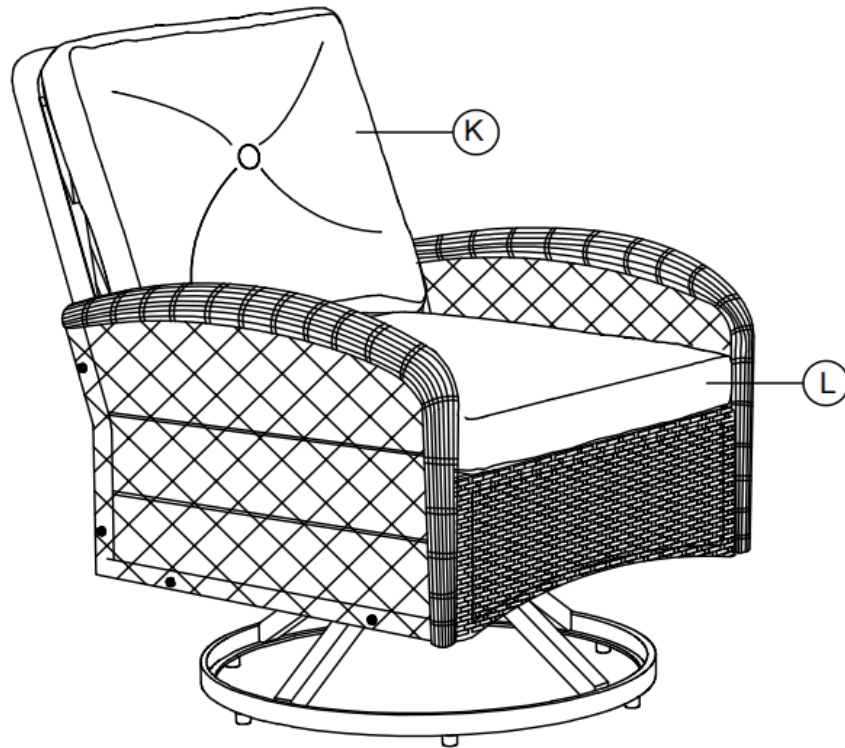
Please note that the label "UP" is installed facing up



- 6** Locate the Swivel turnplate(F) to the Rocking Rack(E) by the pre drilled threads. Fasten Bolts(N) with Washers (Q) into Screw Nuts(P) by using Allen Key(R) and Hex Spanner(S). 4 bolts should be fastened totally. 8 Washers (Q and 4 Screw Nuts(P) are needed for this step .

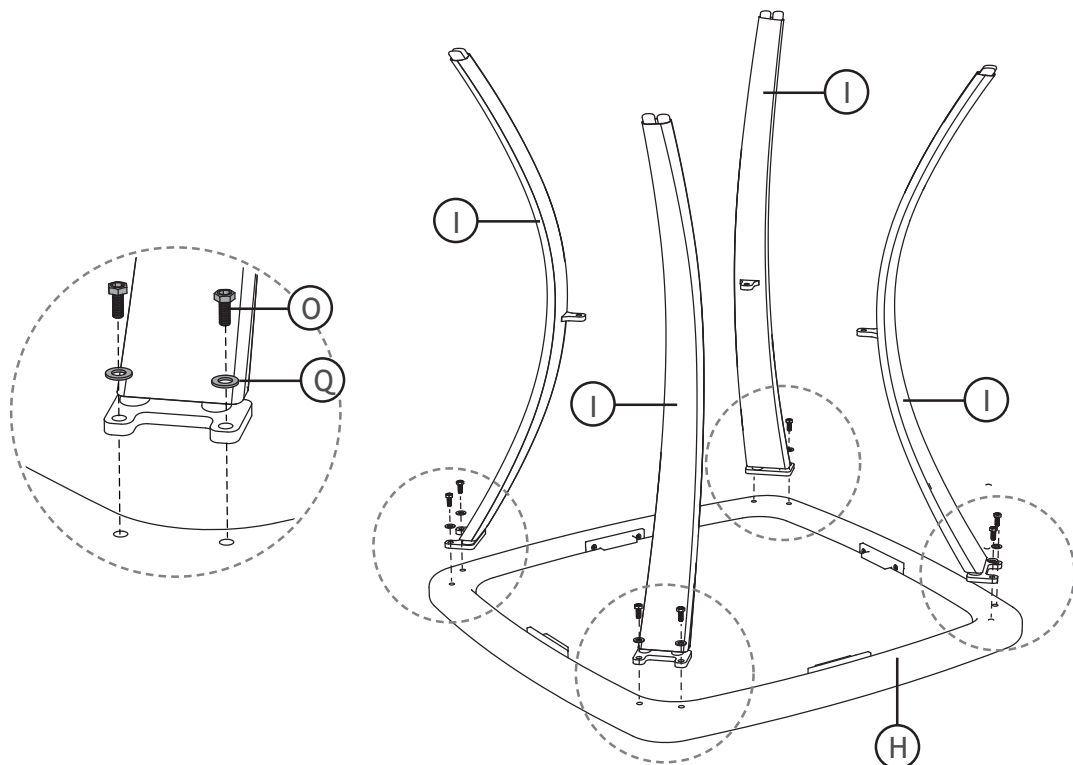


7



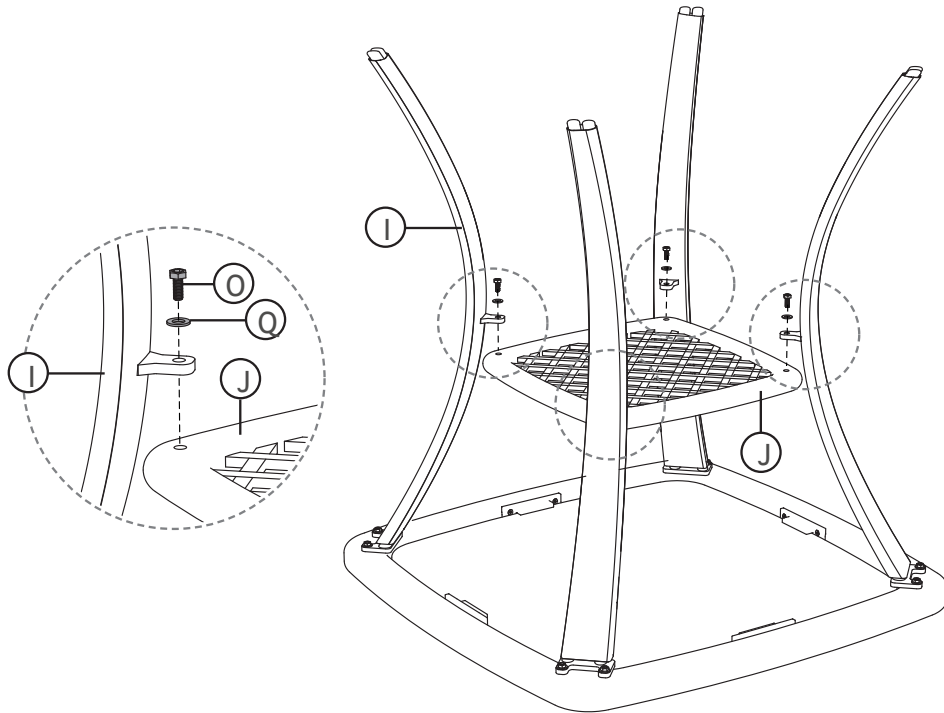
8

Locate 4 Table Feet(I) to the Table Top(H) by the pre-drilled threads. Fasten Bolts(O) with Washers(Q) by using Allen Key(R) to combine table top and table feet together. 8 bolts should be fastened totally, 2 for each foot.



9

Locate Table Rack(J) to 4 Table Feet(I) by the pre-drilled threads. Fasten Bolts(O) with Washers(Q) by using Allen Key(R) to combine table rack and table feet together. 4 bolts should be fastened totally, 1 for each corner of the rack. Now fasten all bolts tight.



Till now you have finished the whole assembly and enjoy your coffee with the table!