
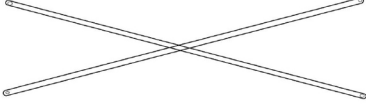
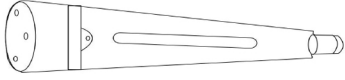
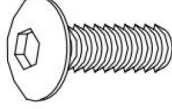
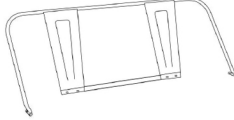

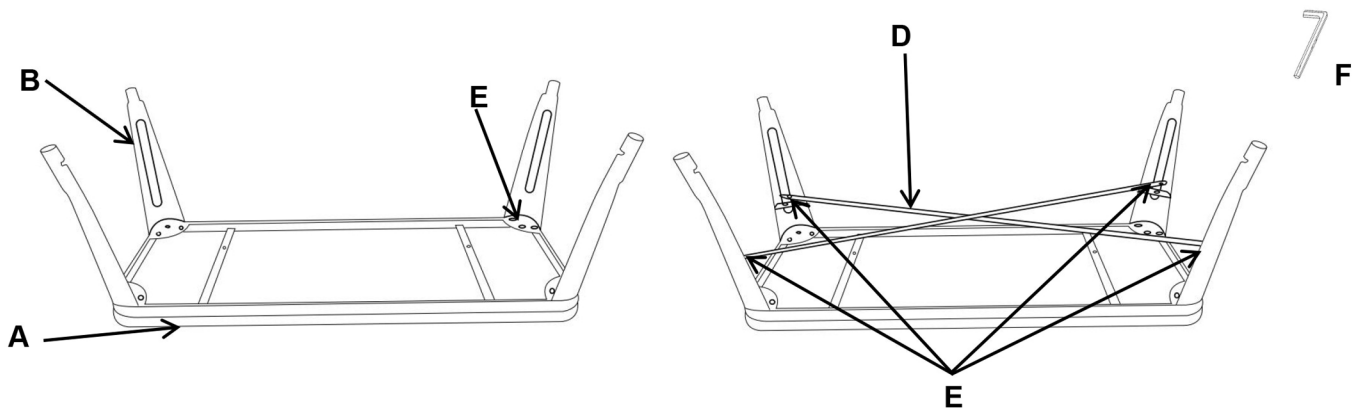


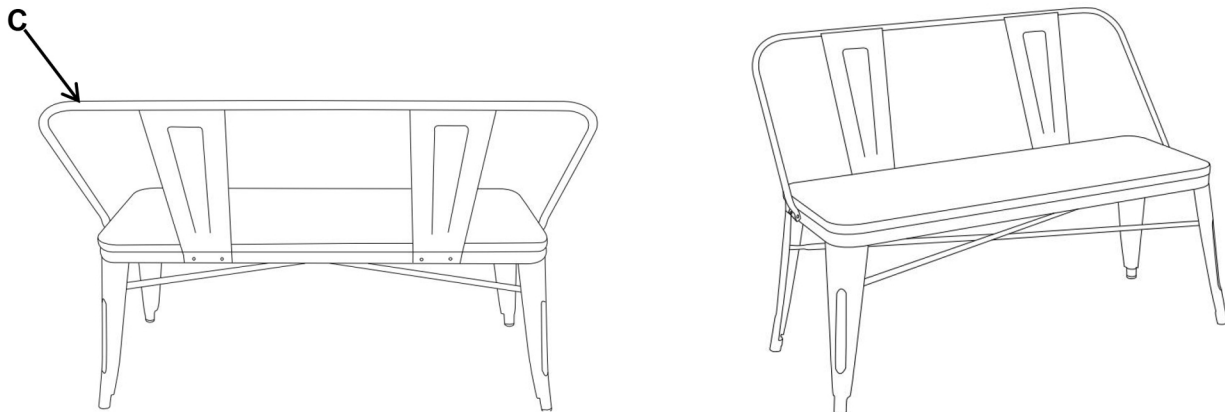
Assembly Instructions SKU: AZ1006

PARTS LIST							
Part	Drawing	Part Name	Qty.	Part	Drawing	Part Name	Qty.
A		SEAT TOP	1	D		CROSS	1
B		LEG	4	E		BOLT	24
C		BACK	1	F		Allen wrench	1

Step 1 - Remove all parts from their packaging and confirm that the quantities match those listed above.



Step 2 -Set the Seat Top (Part A) upright and align the bolt holes on the LEG (Part B) with the threaded inserts in the Seat Top. Insert one Bolt (Part E) through each of the bolt holes in the LEG and into the threaded inserts in the Seat Top. Do not tighten first. Align the bolt holes on the Cross (Part D) with the threaded inserts in the LEG. Insert one Bolt (Part E) through each of the bolt holes in the Cross and into the threaded inserts in the Leg. Tighten the Bolts using the Allen Wrench (Part F). Do not over tighten the Bolts.



Step 3 - Insert one Bolt (Part E) through each of the bolt holes in the BACK and into the threaded inserts in the Seat Top. Do not tighten first. Tighten all bolts holes after bolts in place.

Step 4 - Move the Bench to the desired location. Assembly is now complete.

ATTENTION:

1. Please check the manual carefully and make sure you have received all the parts.
2. If there is any missing, please let us know the letter of the parts you need.
3. If there is any damage, please send clear photos to us, we will check and offer you best solution soon.