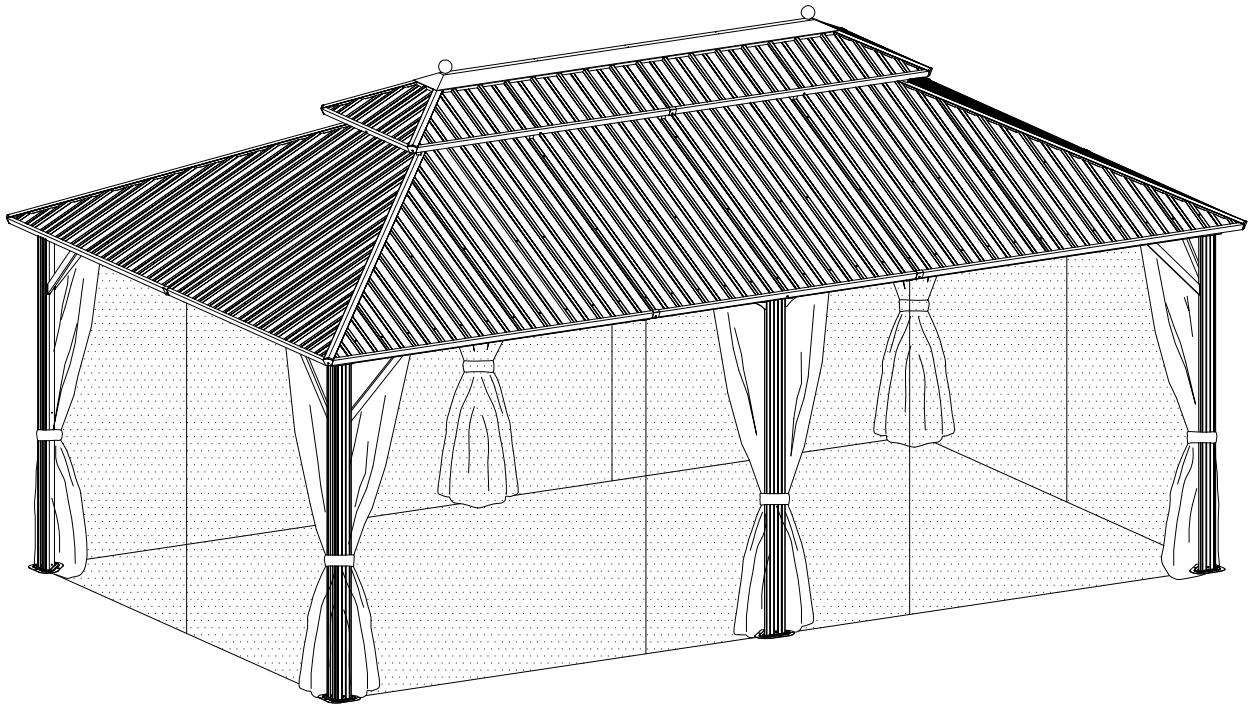


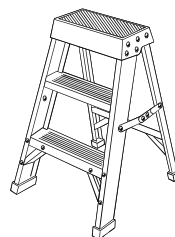
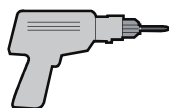
12 x 20 FT

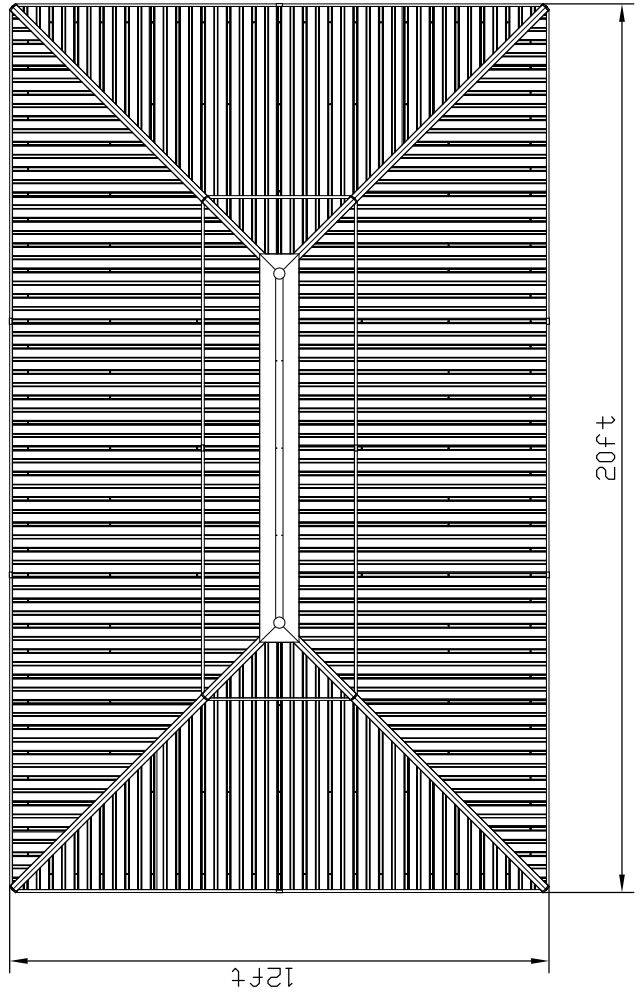
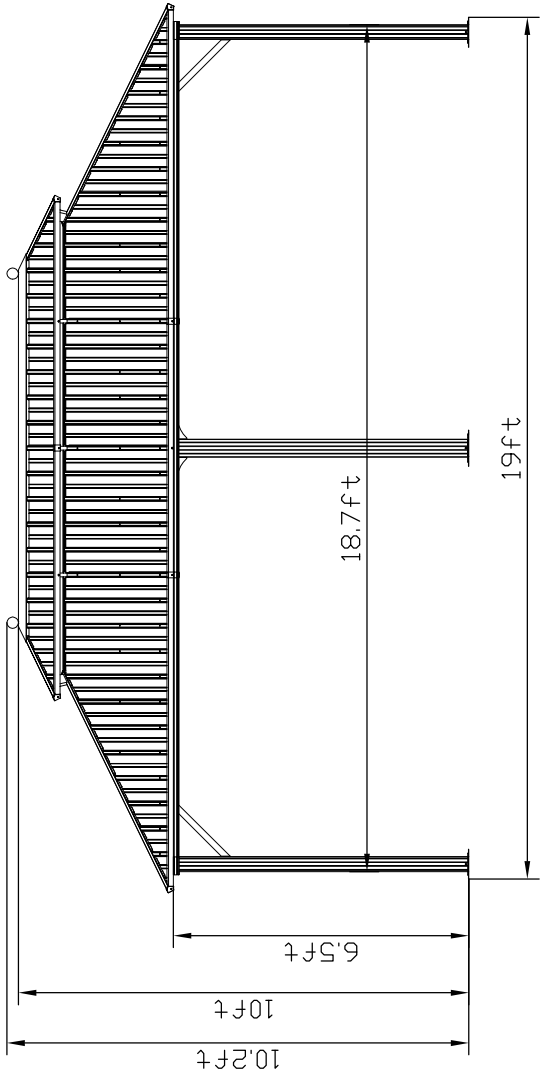
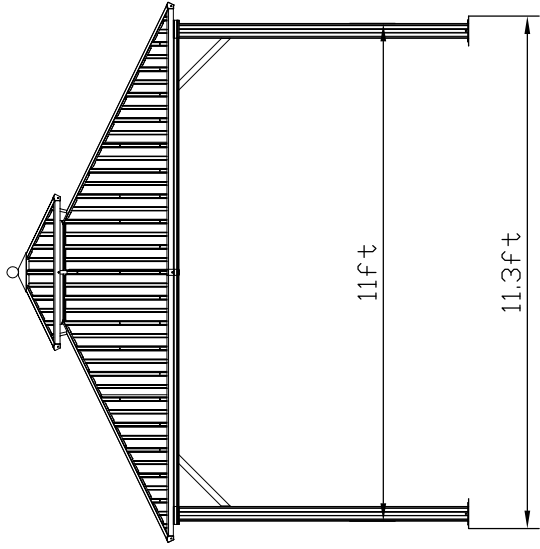
□ □ □ □ □ □ □ □ HWG - 062 □ □ □ □ □ □ □ □



At least need 3 person work together

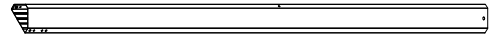
REQUIRED TOOLS







A 4x



A1 2x



B 2x



B1 2x



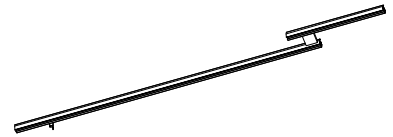
C 2x



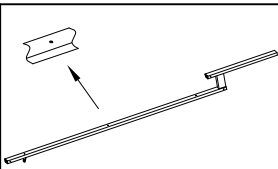
C1 2x



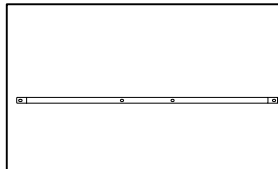
E2 2x



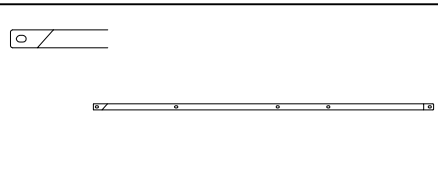
E 4x



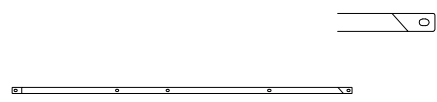
E1 8x



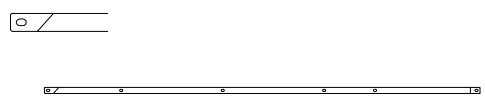
F 4x



F1 2x



F2 2x



F3 2x



F4 2x



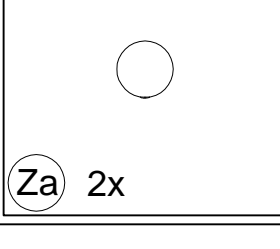
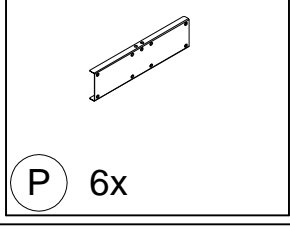
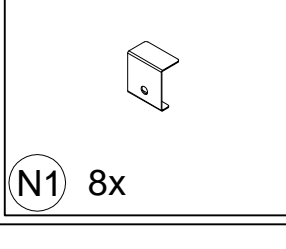
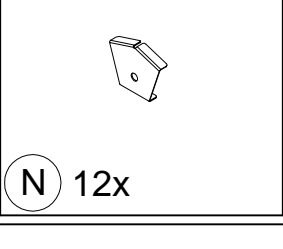
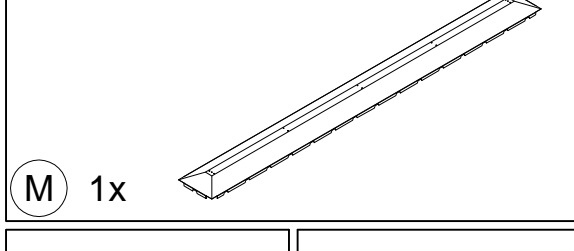
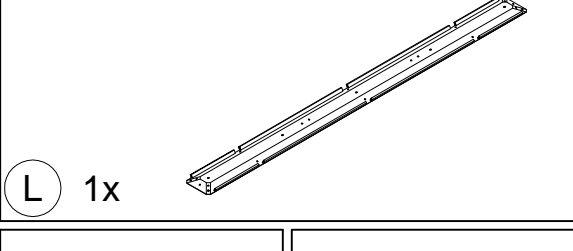
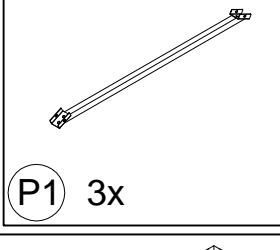
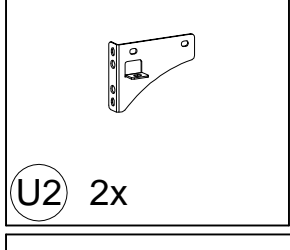
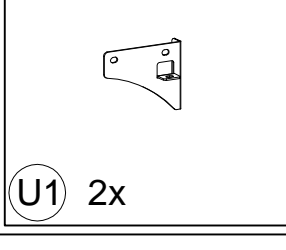
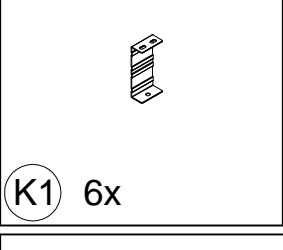
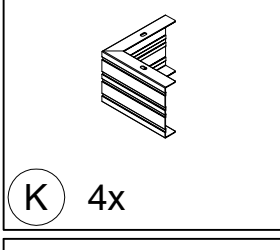
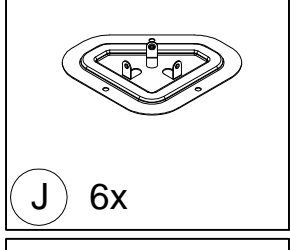
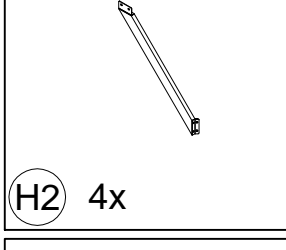
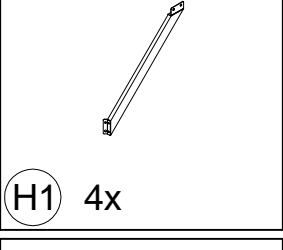
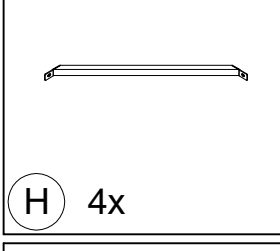
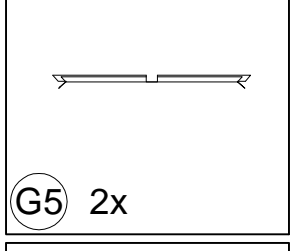
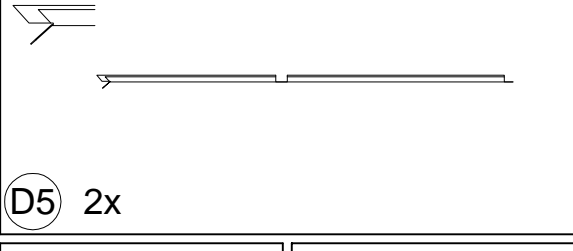
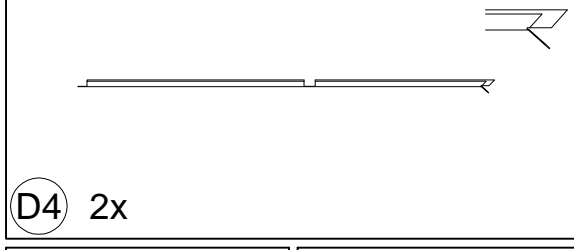
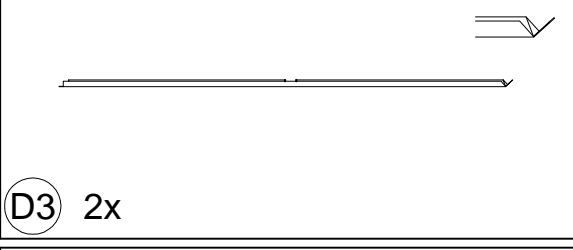
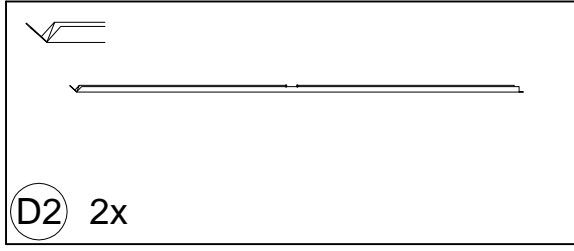
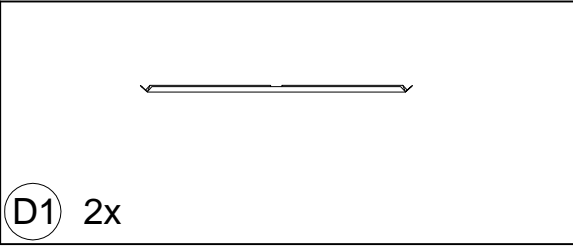
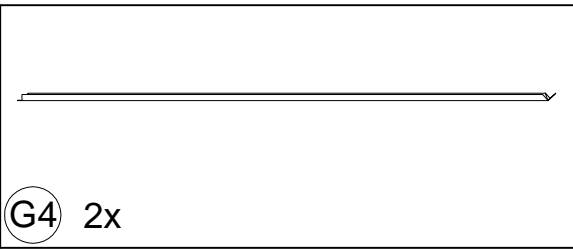
G1 2x



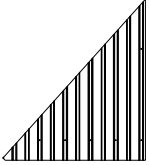
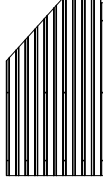
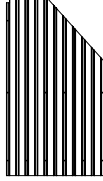
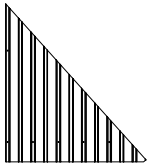

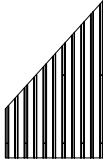
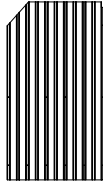
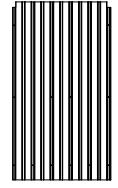
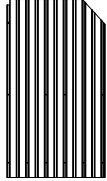
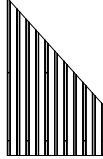

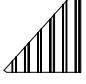
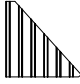
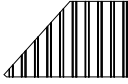


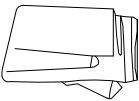
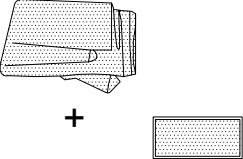

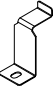
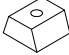
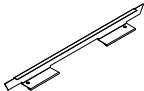


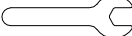











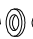


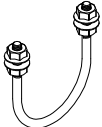
G2 2x



G3 2x



3

			
Q1 2x	Q2 2x	Q3 2x	Q4 2x
			
R1 2x	R2 2x	R3 2x	G 4x
			
R4 2x	R5 2x	R6 2x	S 2x
			
Sa 2x	S1 2x	S2 2x	S3 4x
			
T 4x + 2x	T1 4x + 2x + 1x	U 152x	V 6x
			 S4 1x
Y 156x	Z 76x	Z1 12x	 1x
 M6x15 1 221x	 16x   96x M6x23 2 16x+96x	 M5x12 3 38x	 ST4.8x12 4 28x
  M6x42 6 44x	  M6x50 9 6x	    10 18x	 11 2x

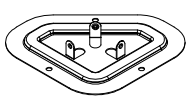
<1>



A 4x



A1 2x



J 6x



U1 2x

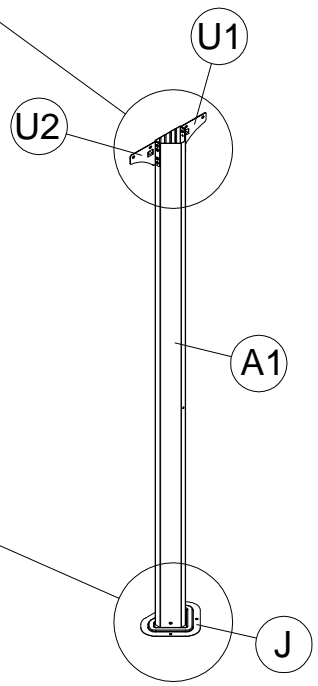
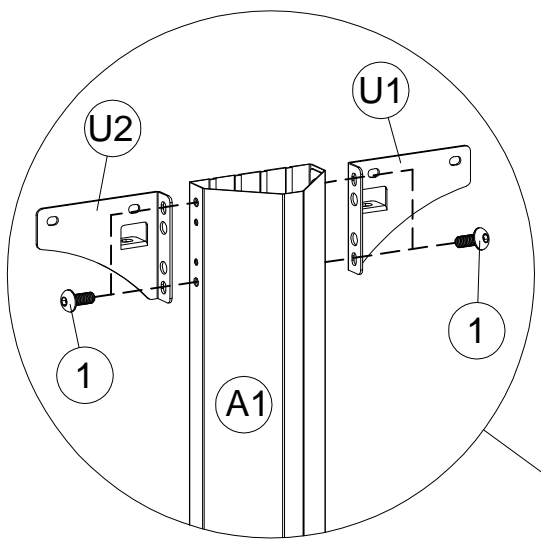
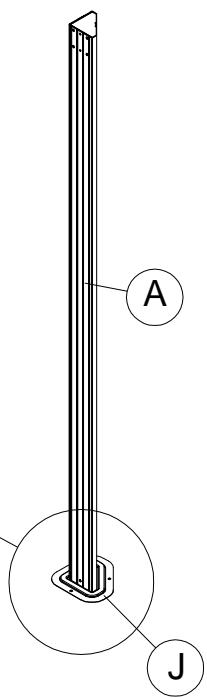
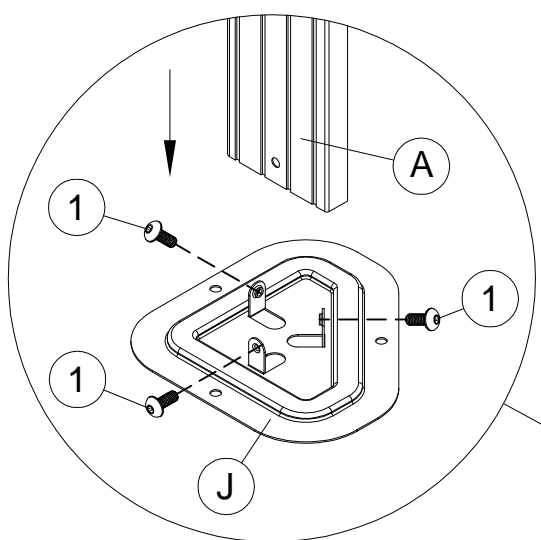


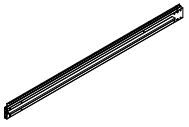
U2 2x



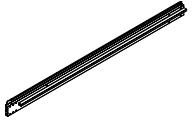
1 26x M6x15

5

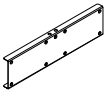




(B) 2x



(B1) 2x

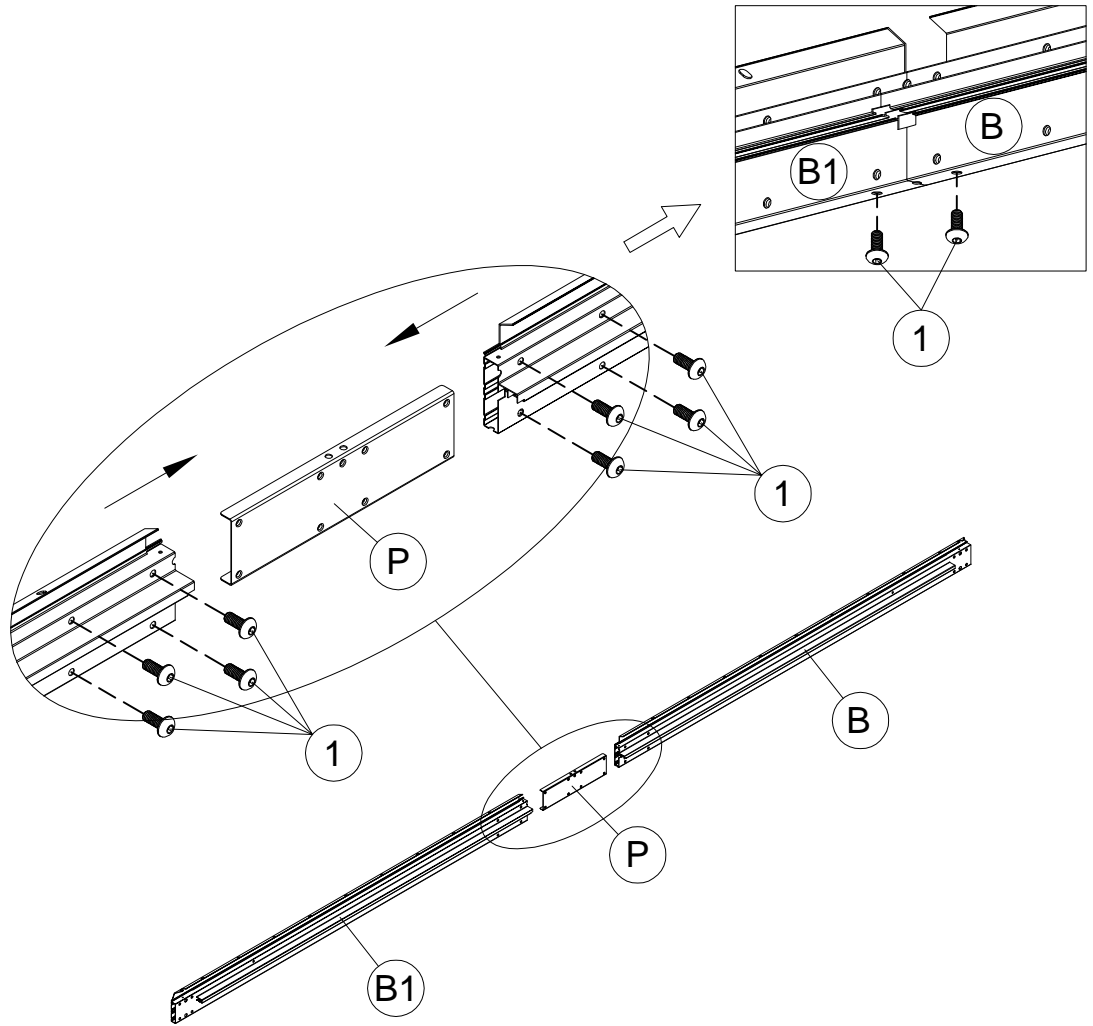


(P) 2x



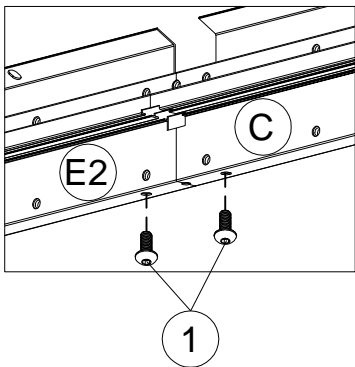
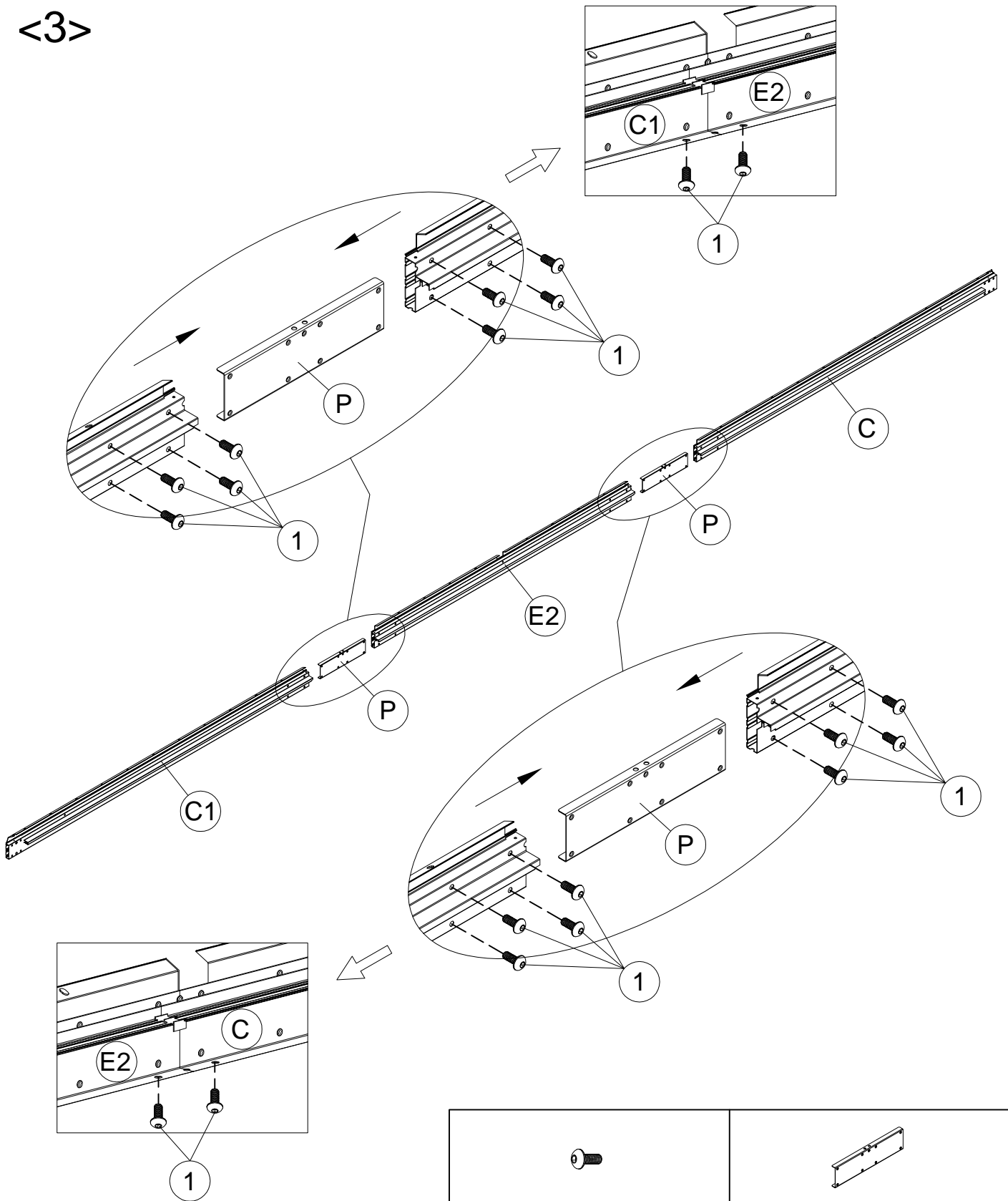
(1) 20x M6x15

<2>



6

<3>

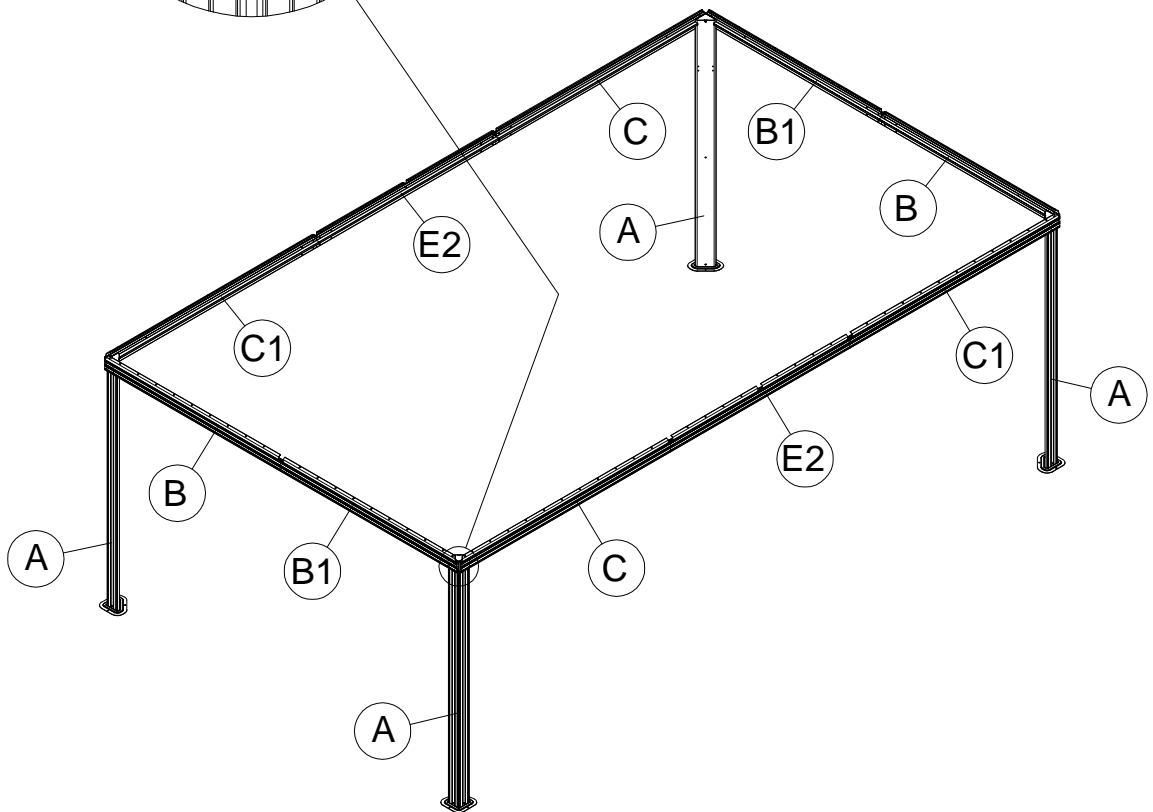
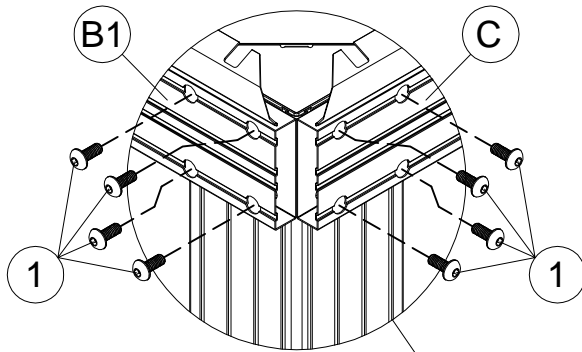


	 1 40x M6x15	 P 4x
7	 C 2x	 C1 2x
		 E2 2x



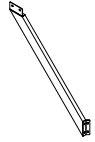
<4>

1 M6x15
32x





H1 4x

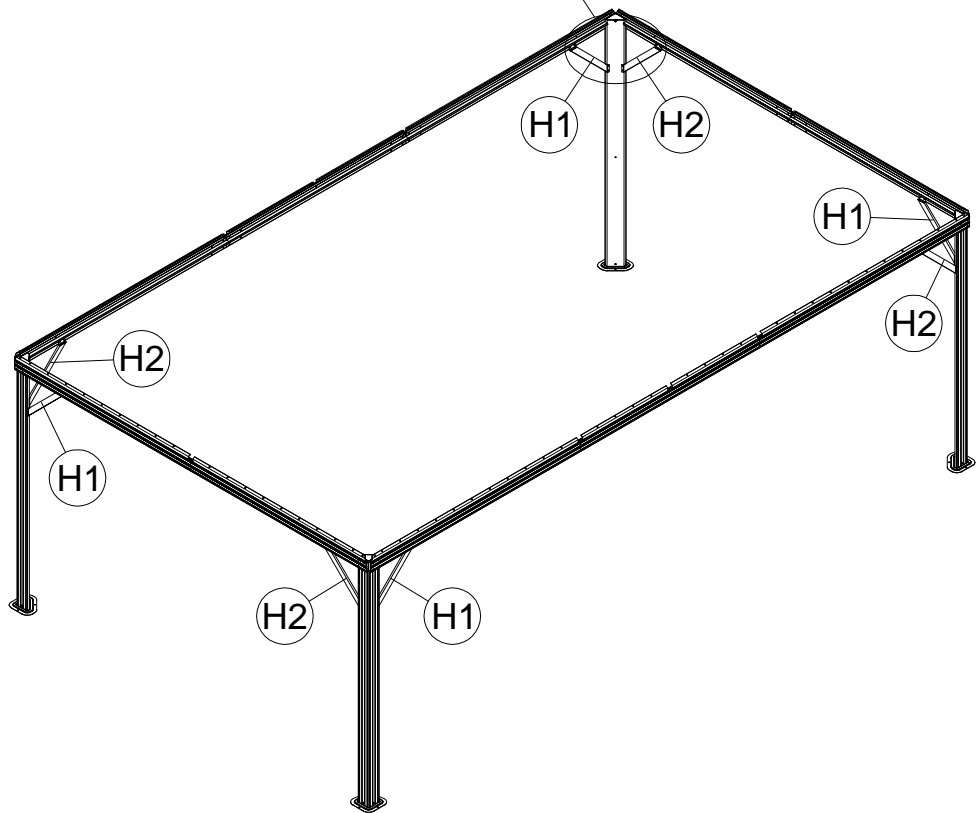
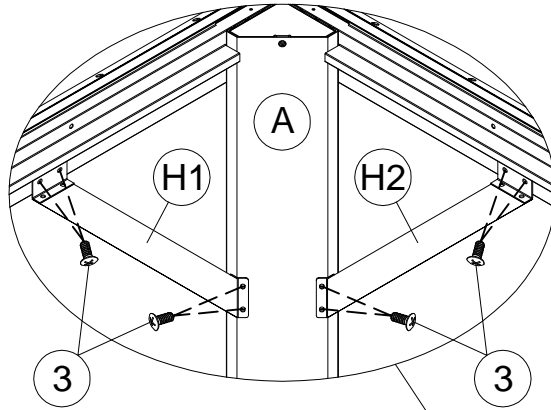


H2 4x



3 M5x12
32x

<5>



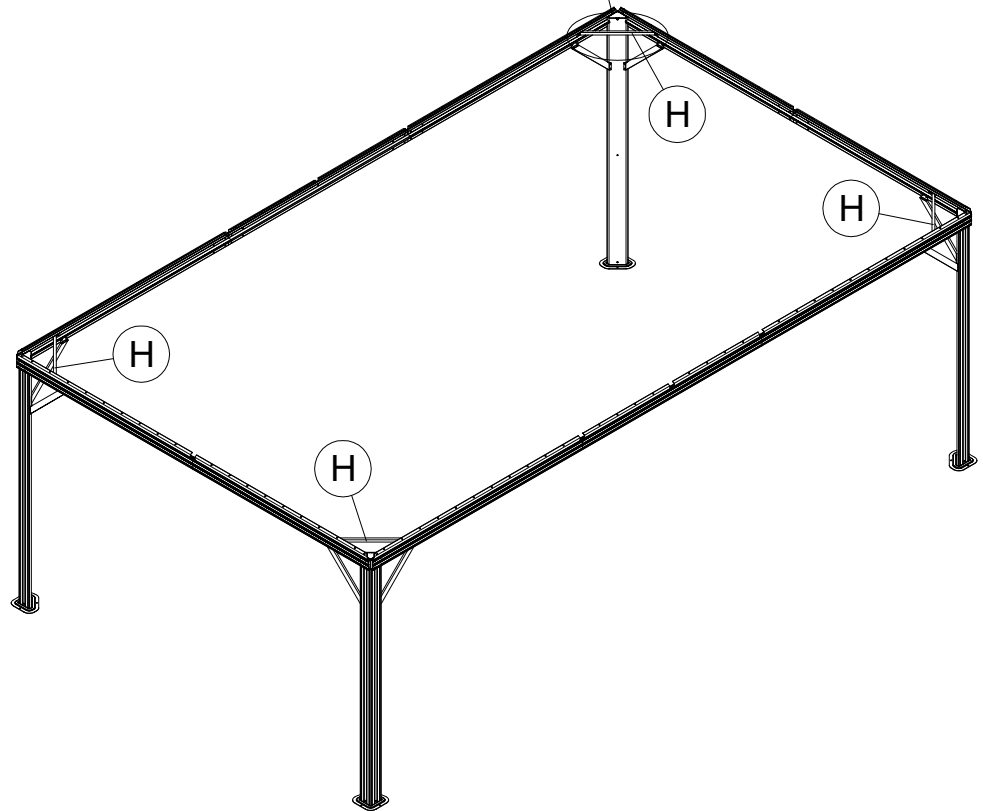
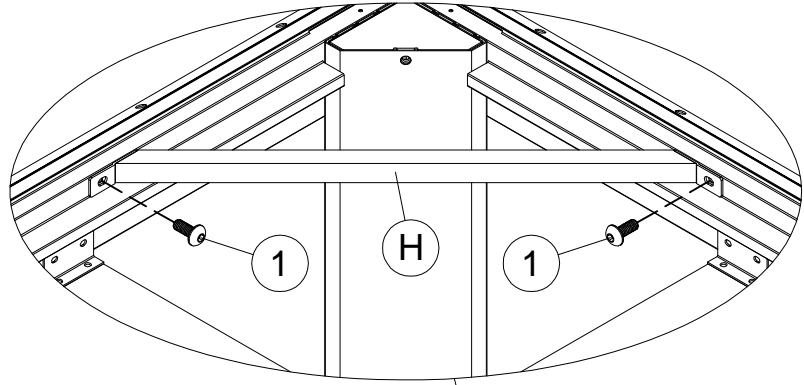


<6>

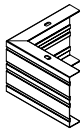
H 4x



1 8x M6x15



10



(K) 4x

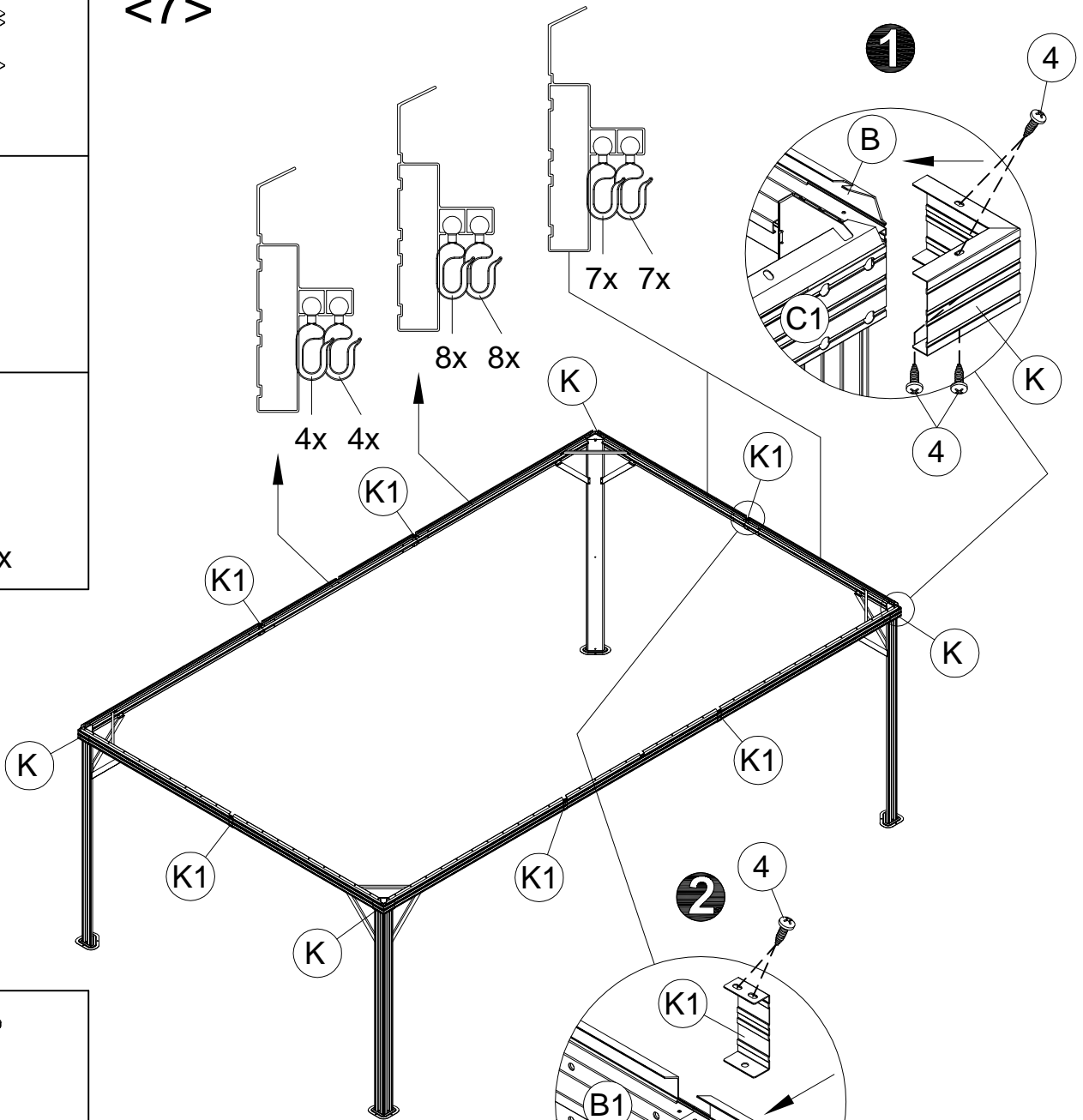


(K1) 6x

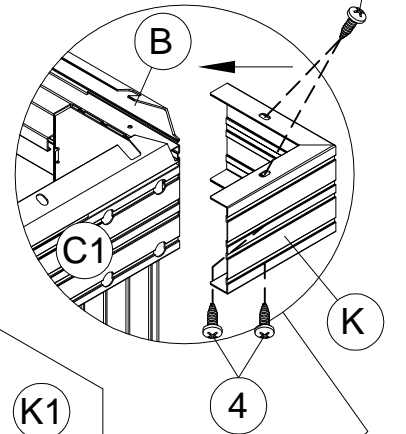


(U) 152x

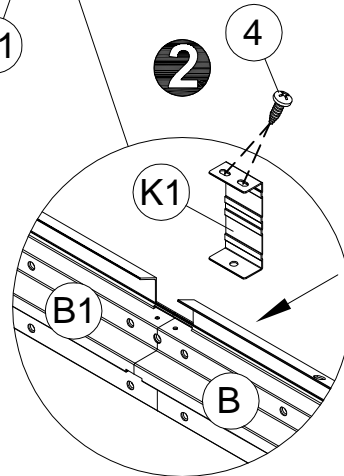
<7>



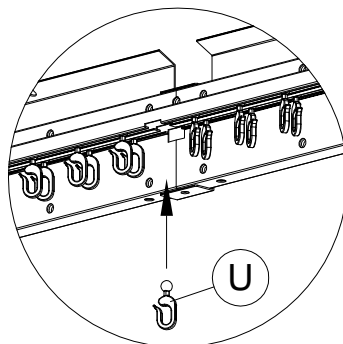
1



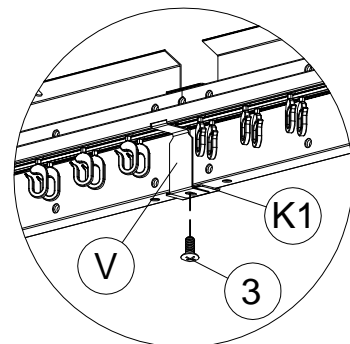
2



3



4



(V) 6x



(3) 6x M5x12



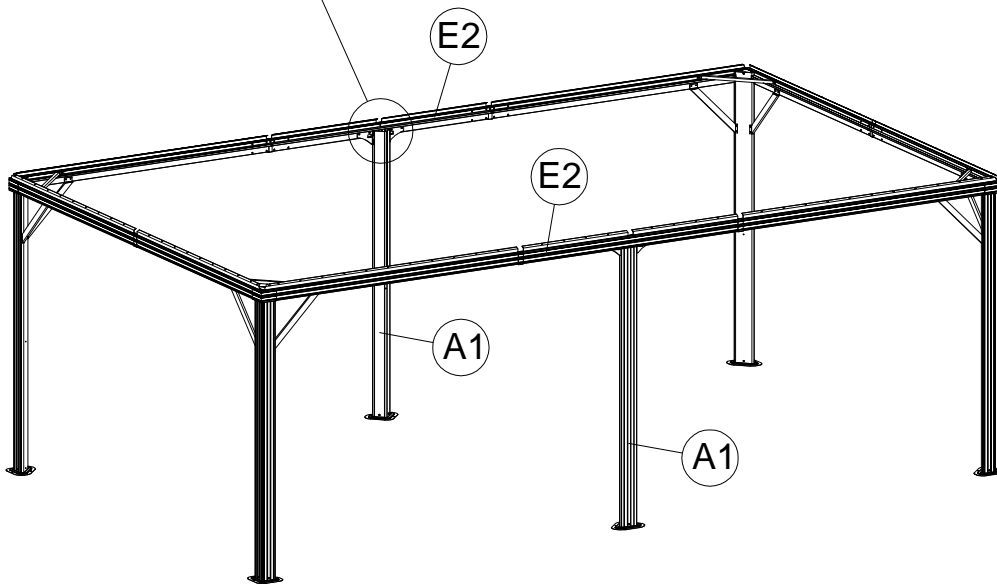
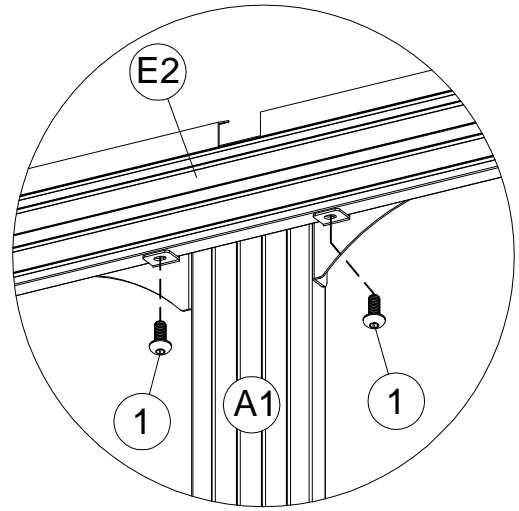
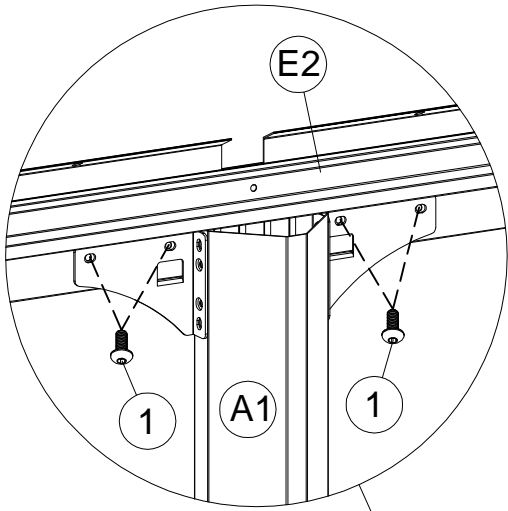
(4) ST4.8x12 28x

11

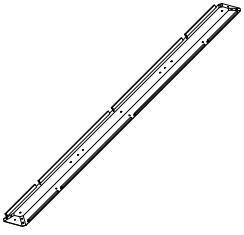


<8>

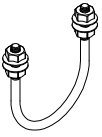
1 12x M6x15



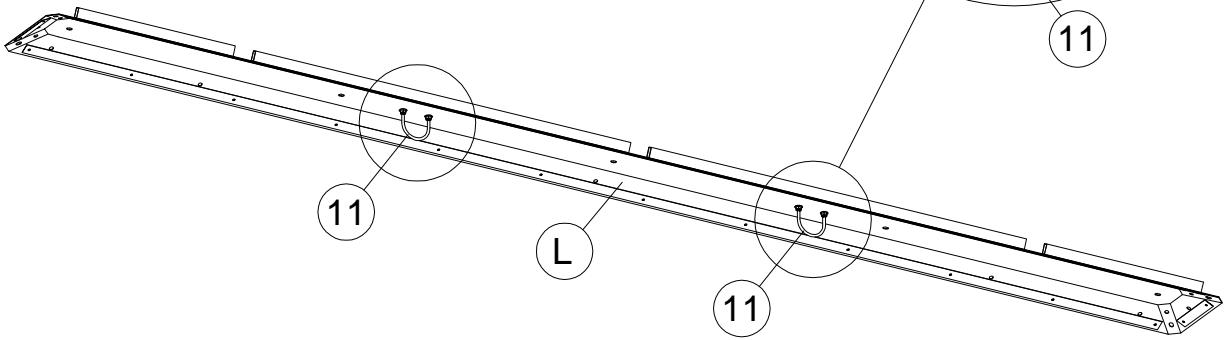
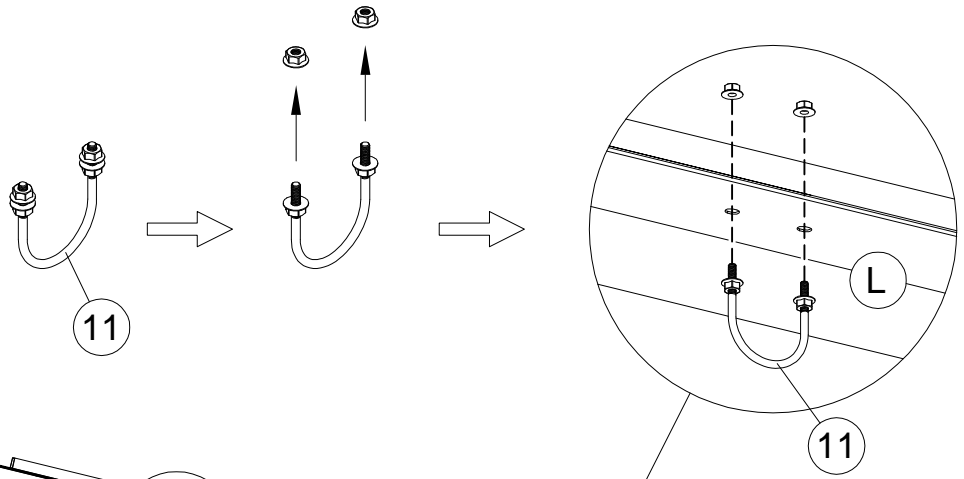
<9>



L 1x



11 2x





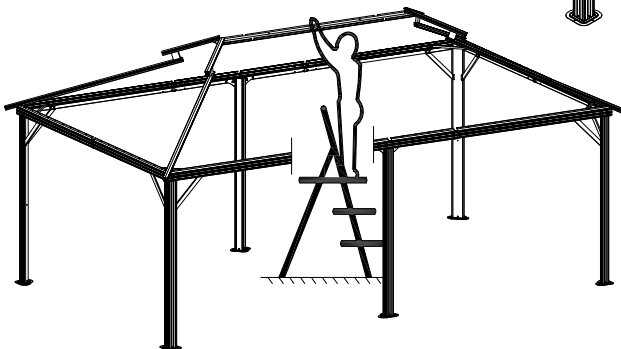
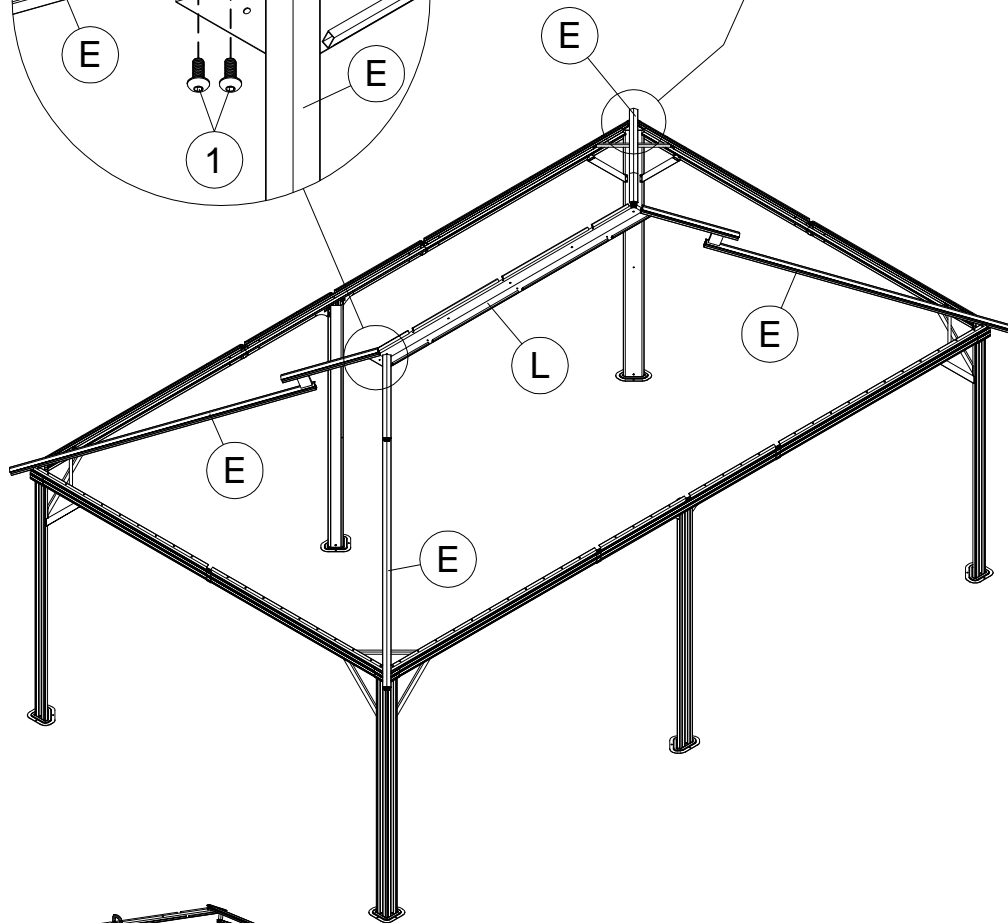
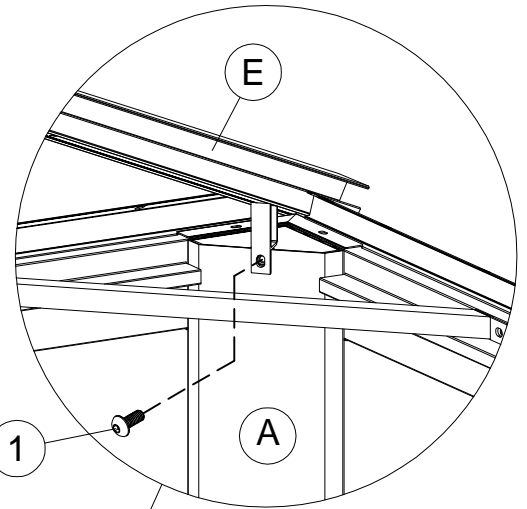
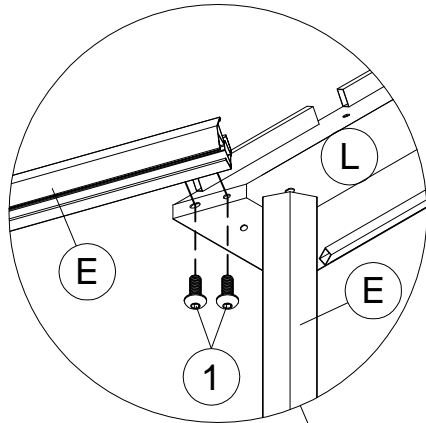
<10>

E 4x



M6x15

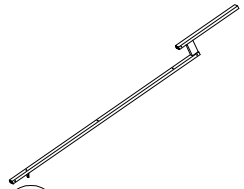
1 12x



Note:

1. Let one person stand on the ladder to lift " L " and hold, and let others fasten the screws connecting both ends of " E " .

2. Please do not let go of holding " L " until all the " E " screws are installed.

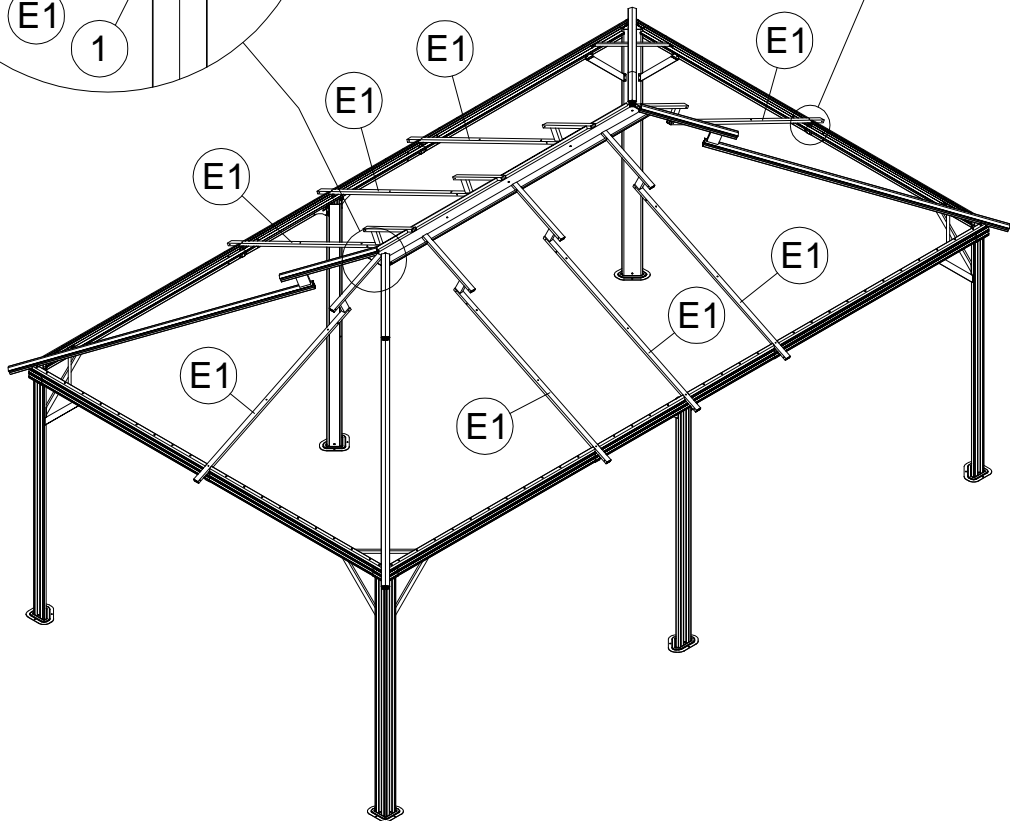
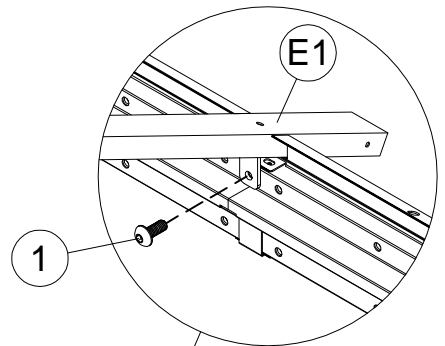
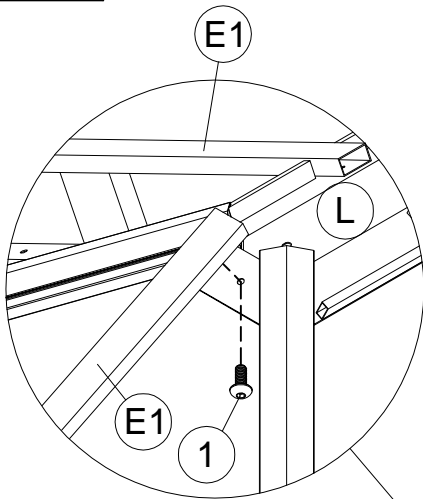


E1 8x

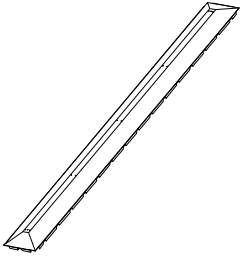


M6x15
1 16x

<11>



<12>



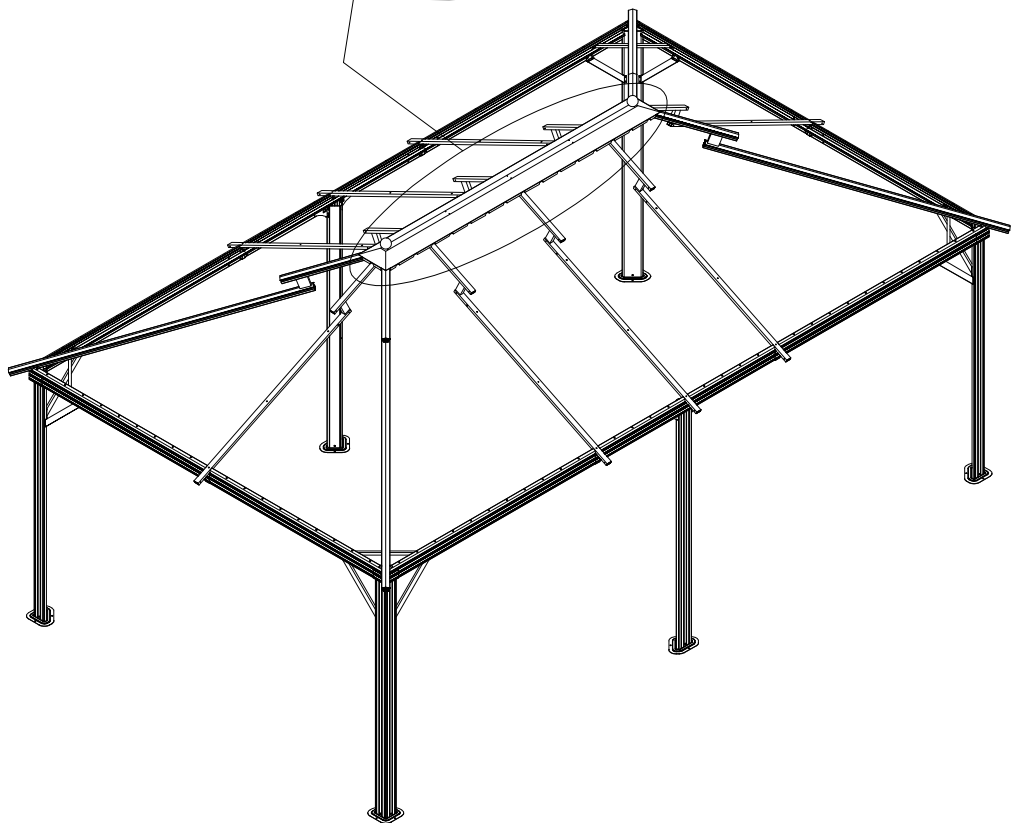
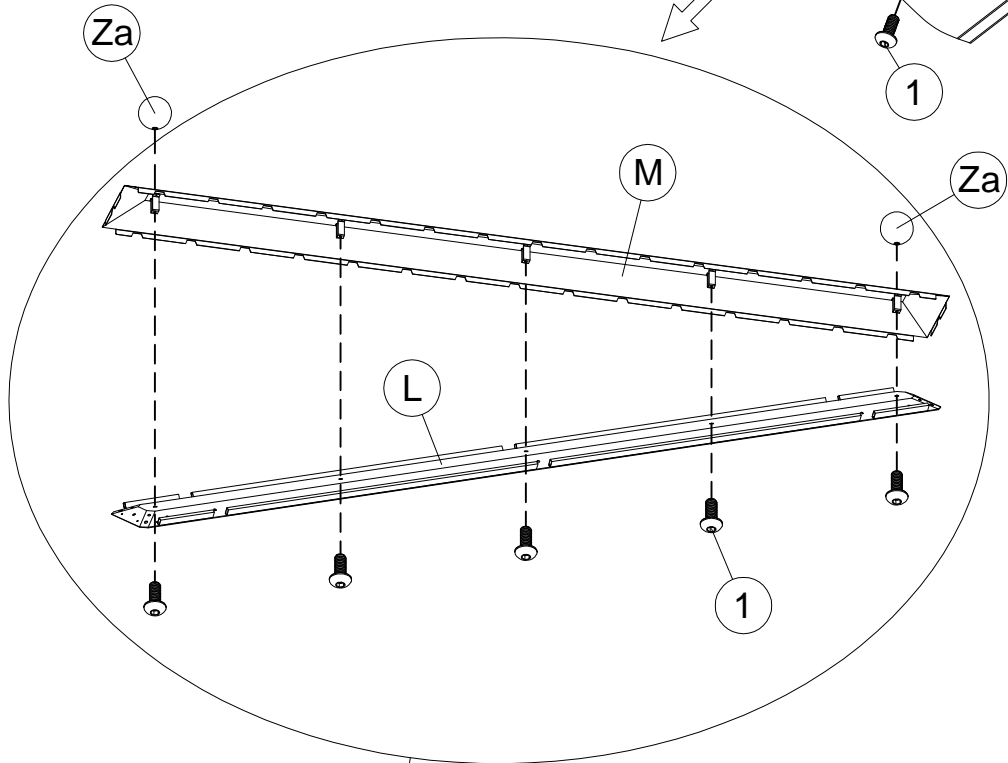
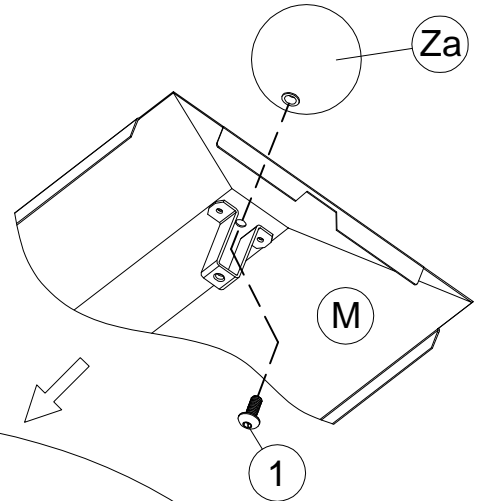
M 1x



Za 2x

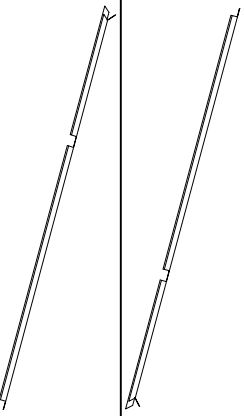


1 7x M6x15



<13>

G5 2x



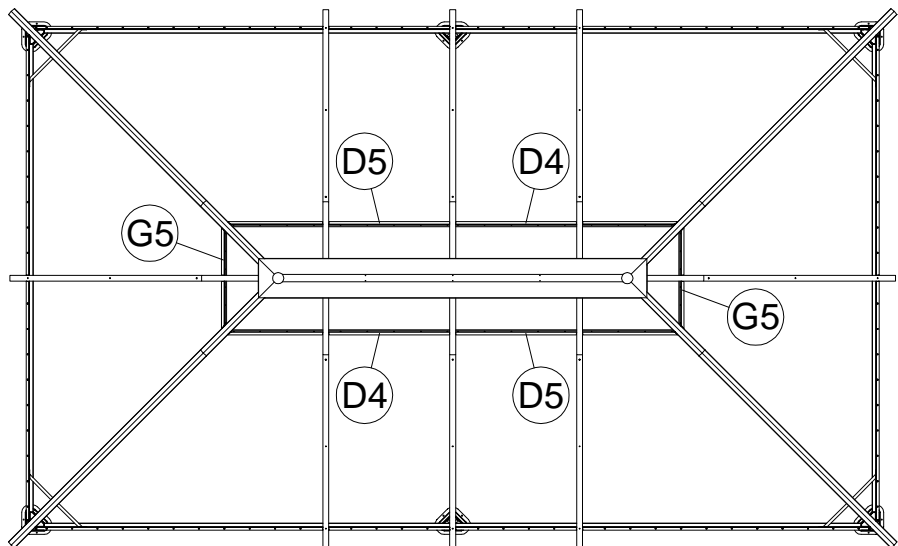
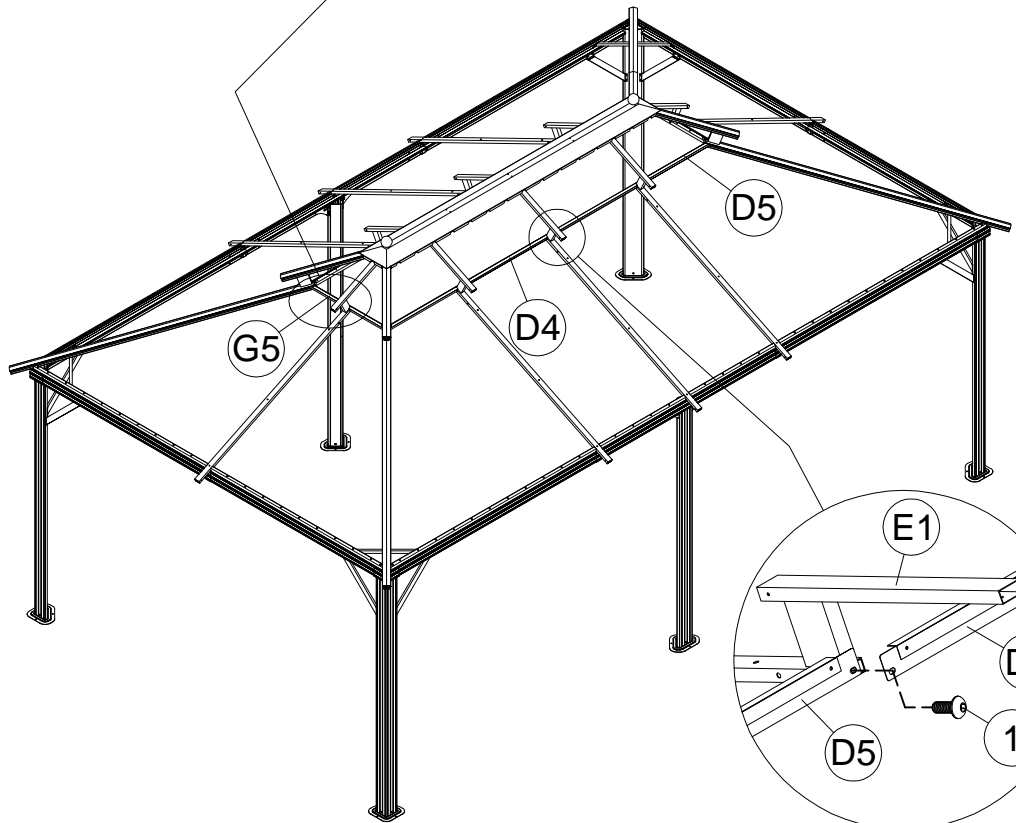
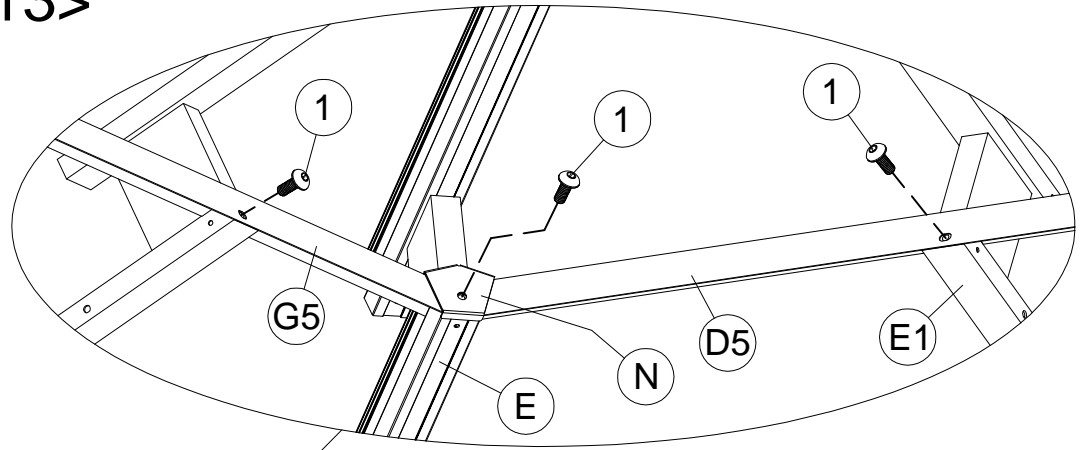
D4 2x D5 2x

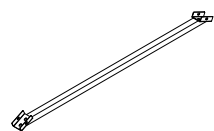


N 4x



1 12x M6x15



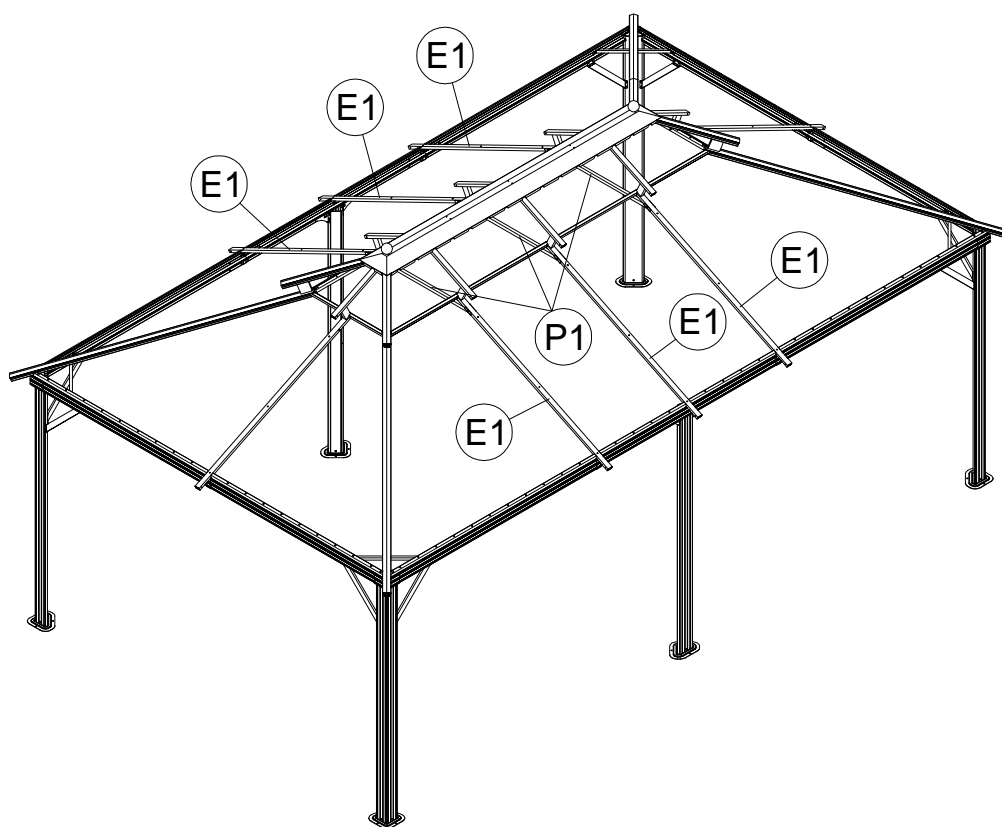
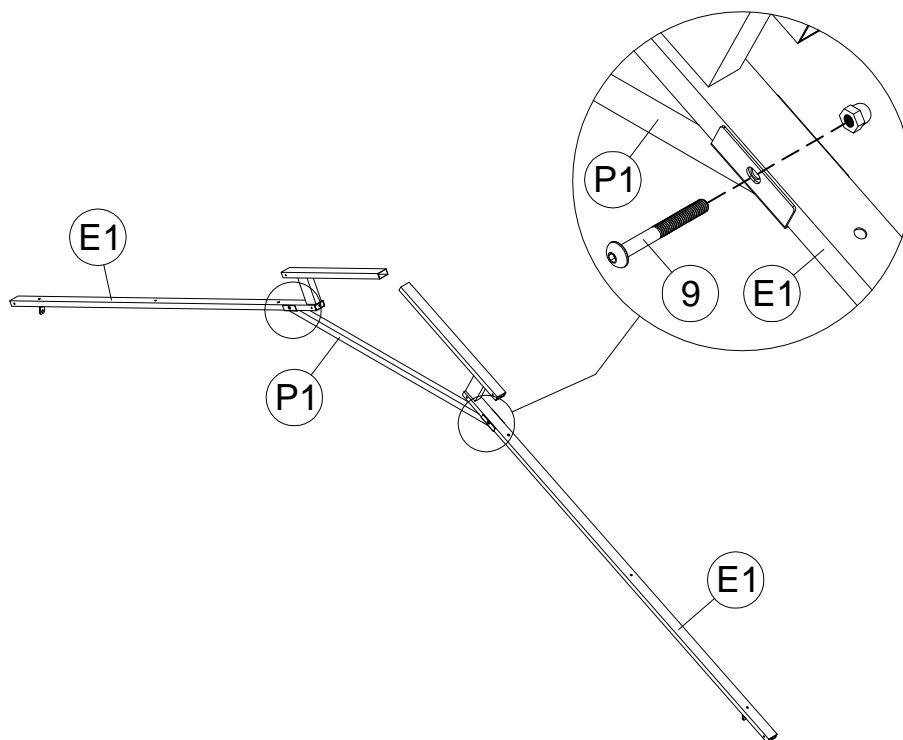


P1 3x

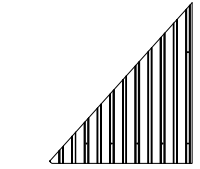


9 6x M6x50

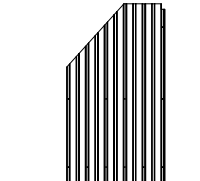
<14>



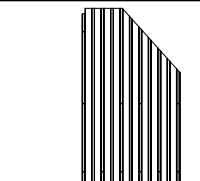
<15>



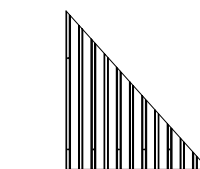
Q1 2x



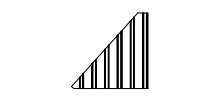
Q2 2x



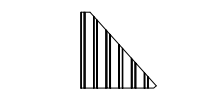
Q3 2x



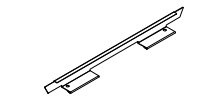
Q4 2x



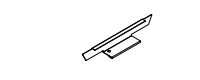
S 2x



Sa 2x

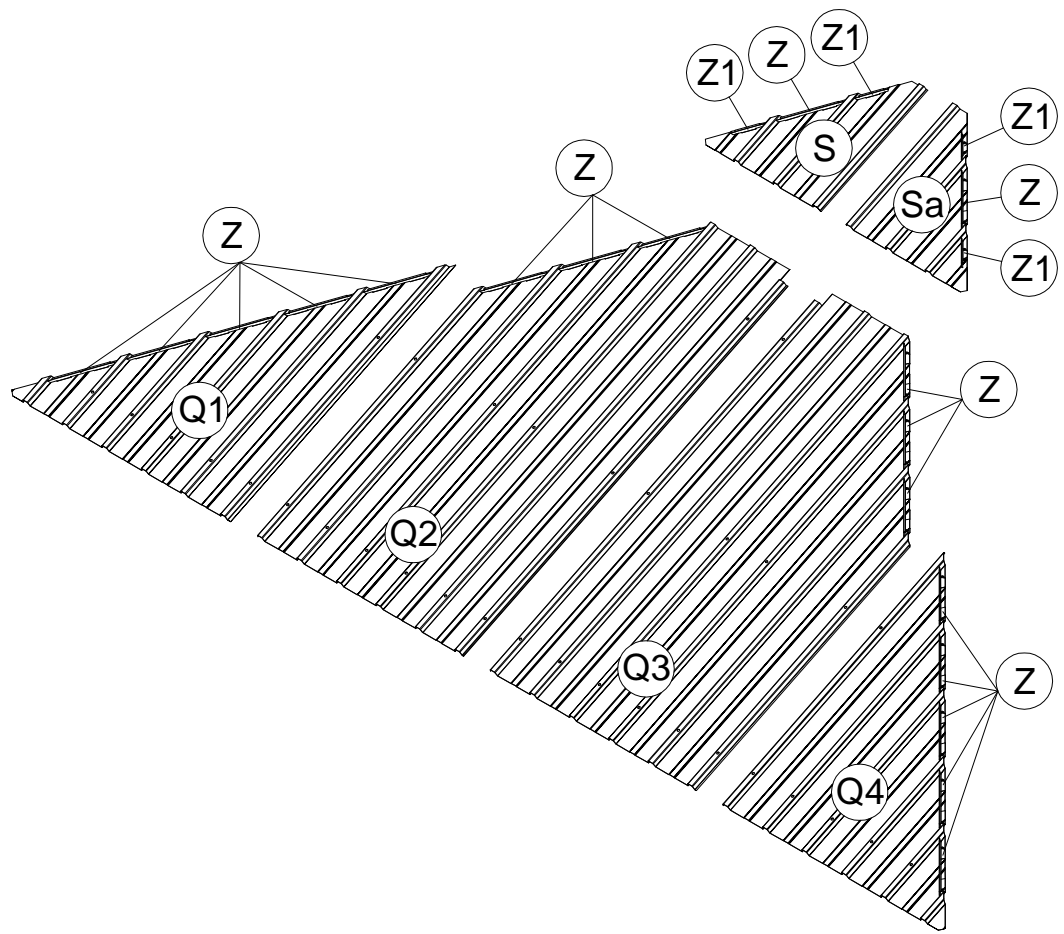
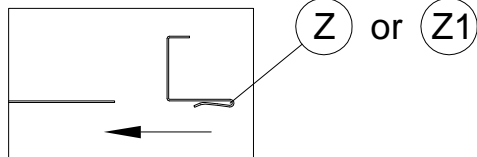
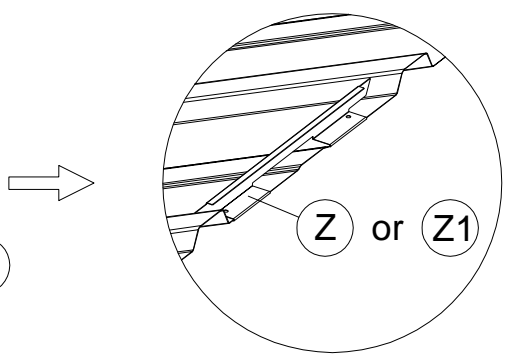
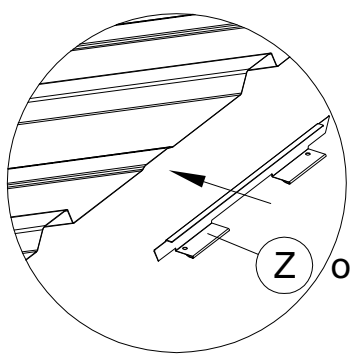


Z 36x



Z1 8x

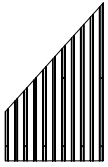
19



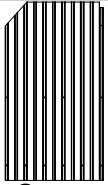
<16>



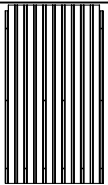
R1 2x



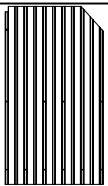
R2 2x



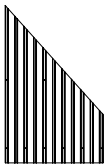
R3 2x



G 4x



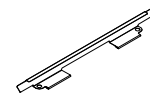
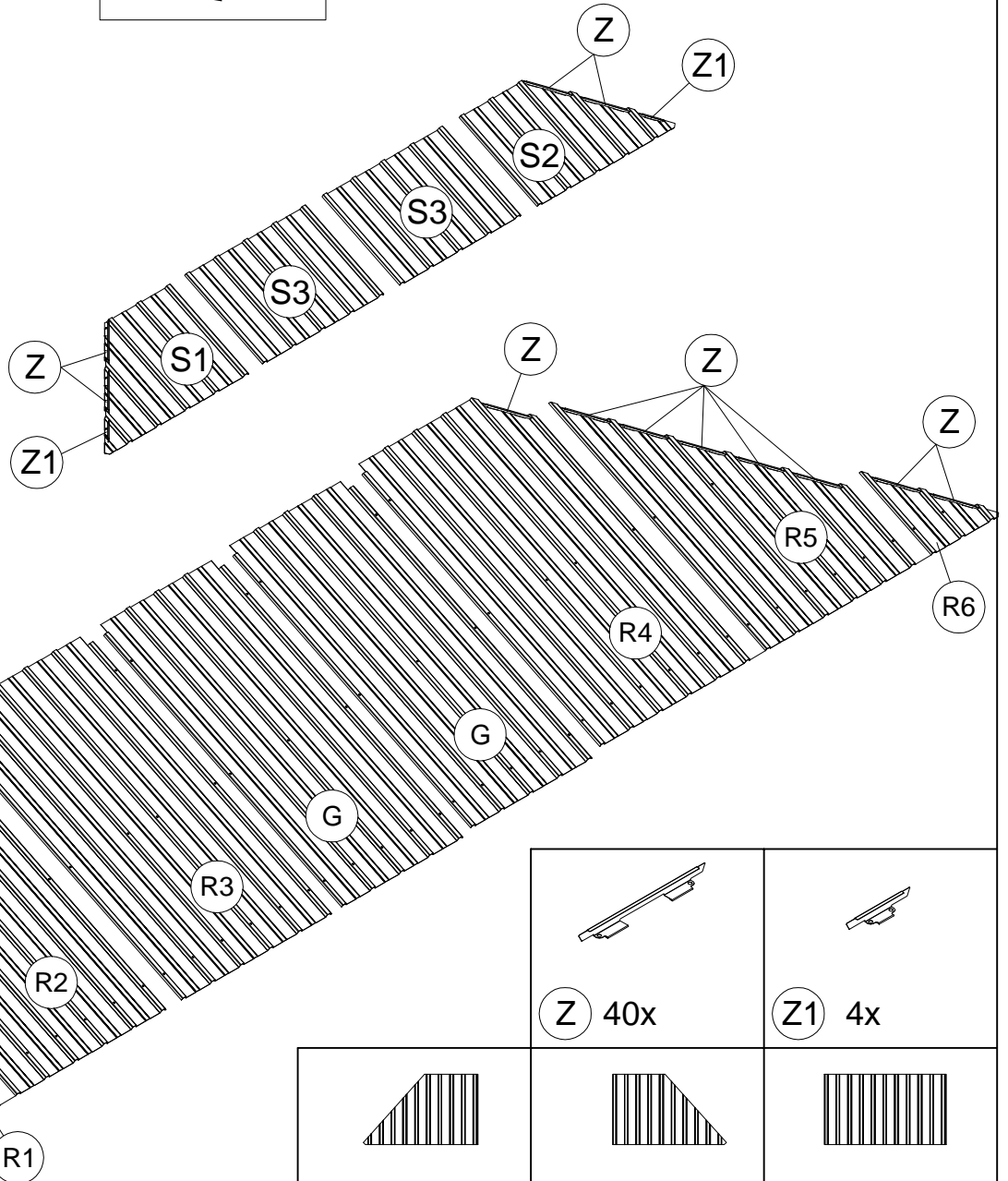
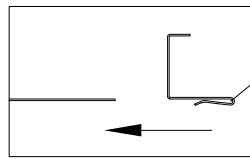
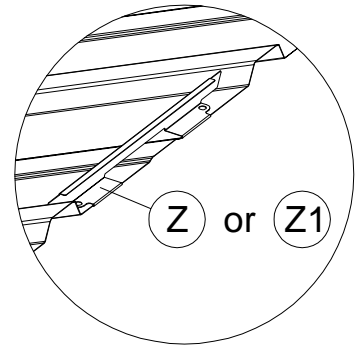
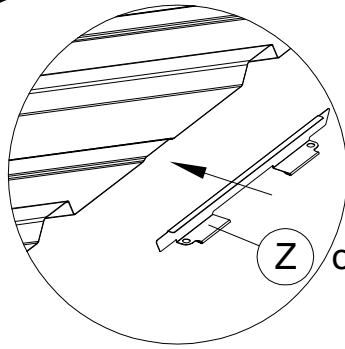
R4 2x



R5 2x



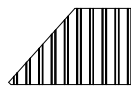
R6 2x



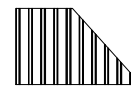
Z 40x



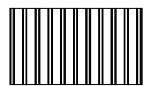
Z1 4x



S1 2x



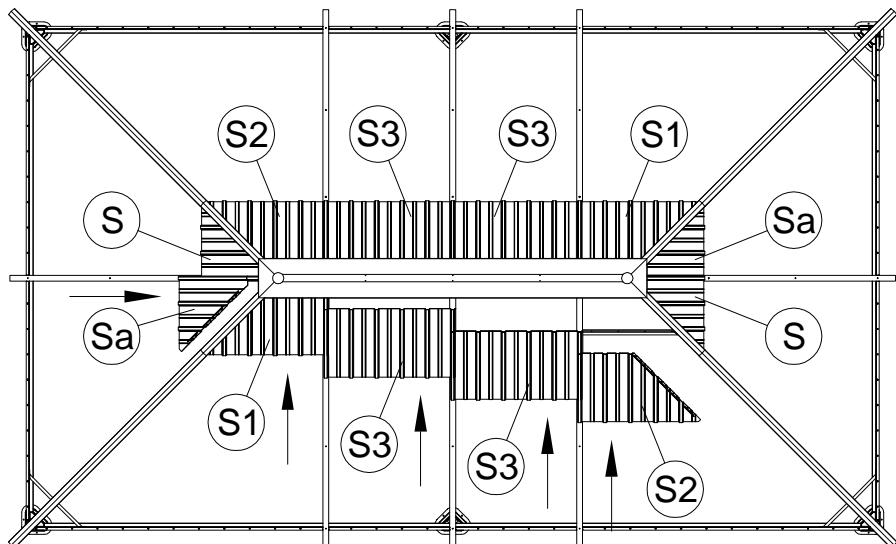
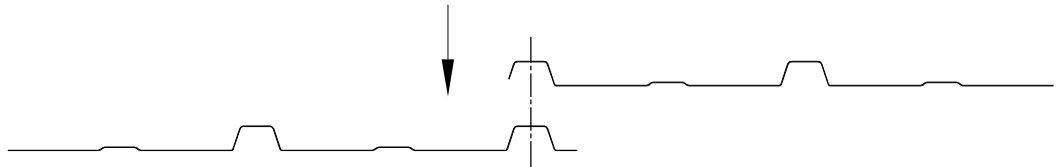
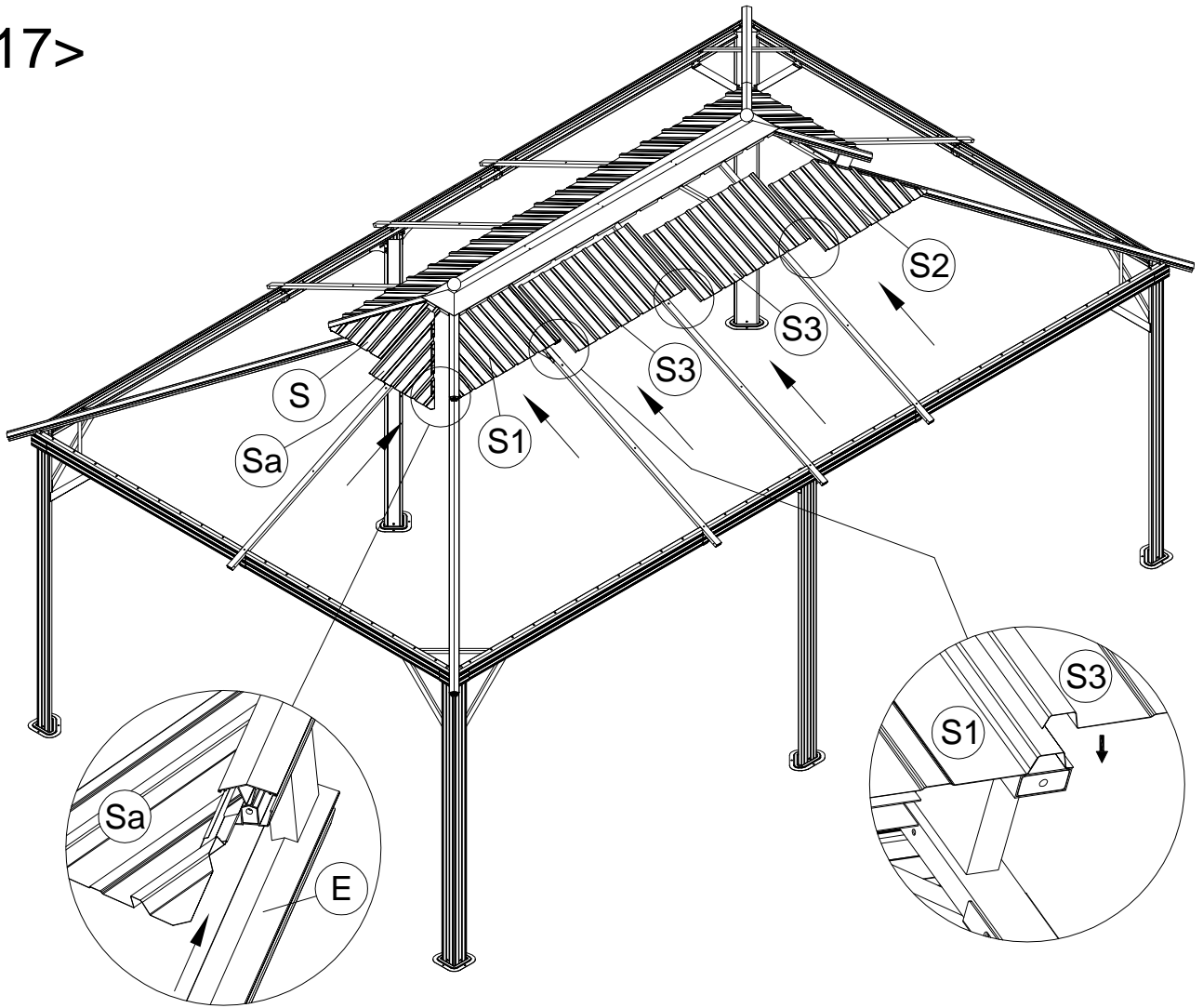
S2 2x



S3 4x

20

<17>



21

<18>

D1 2x

D2 2x

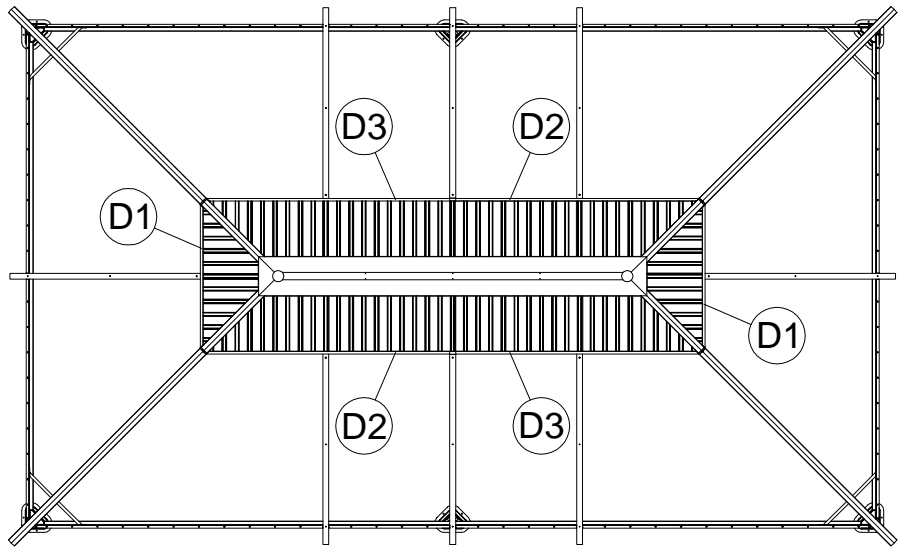
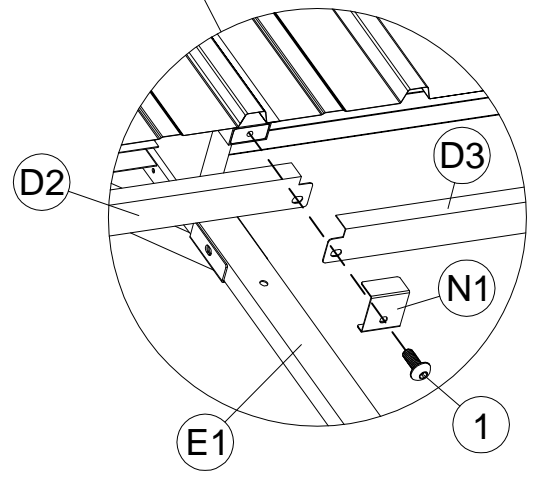
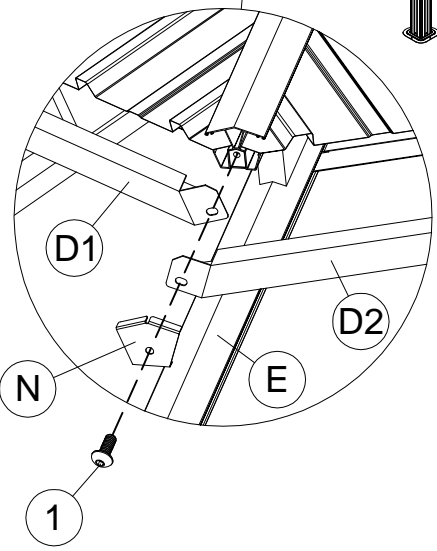
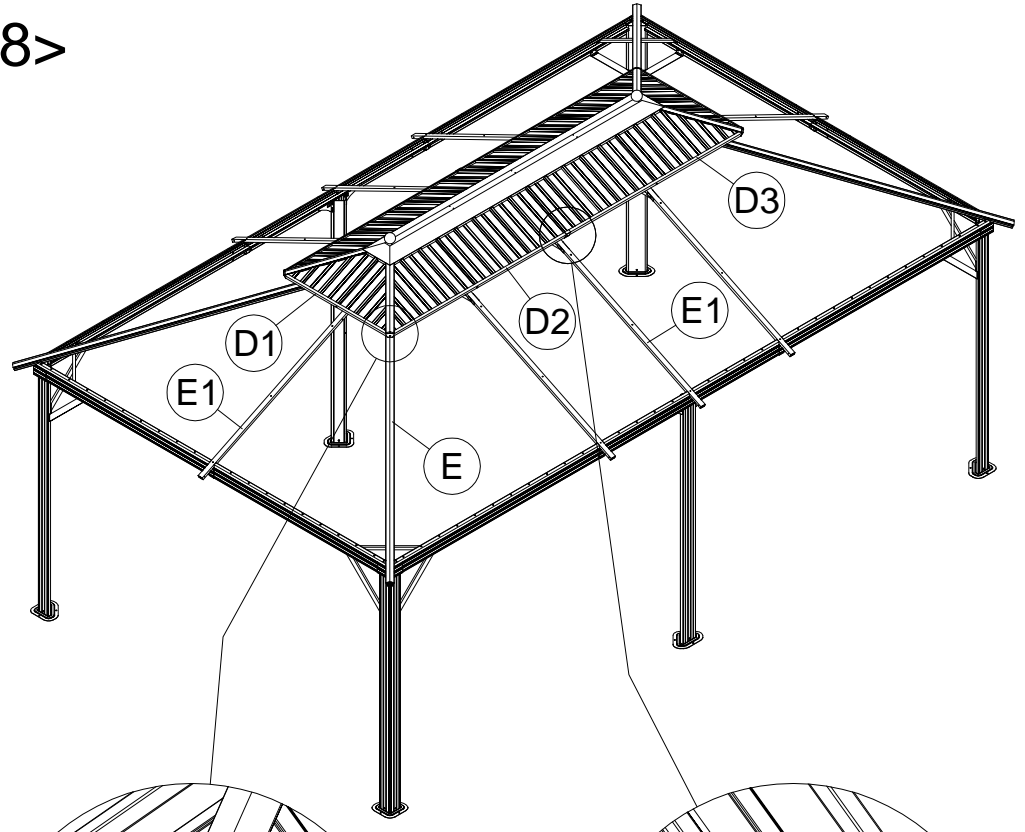
D3 2x

N 4x

N1 2x

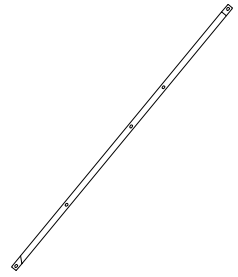
1 12x M6x15

22

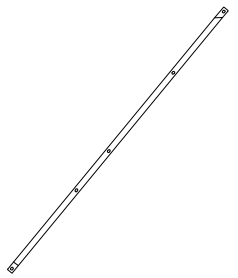


<19>

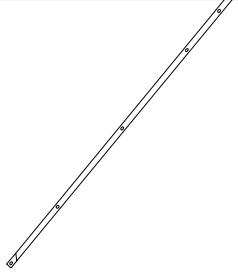
F 4x



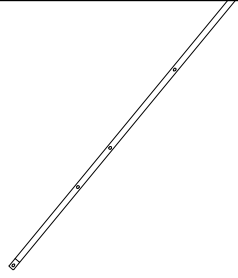
F1 2x



F2 2x



F3 2x

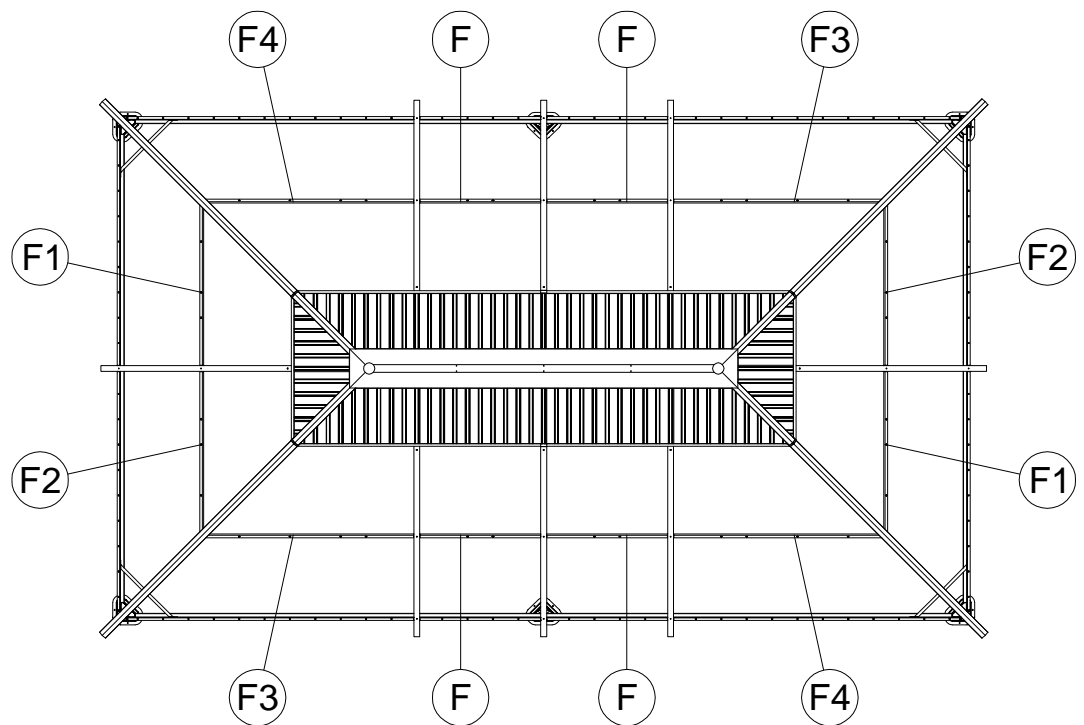
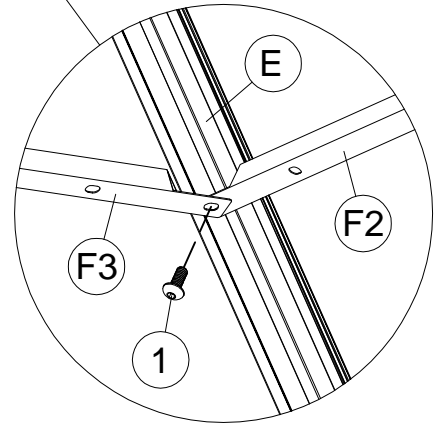
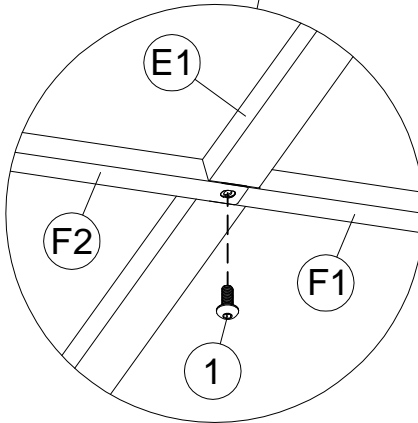
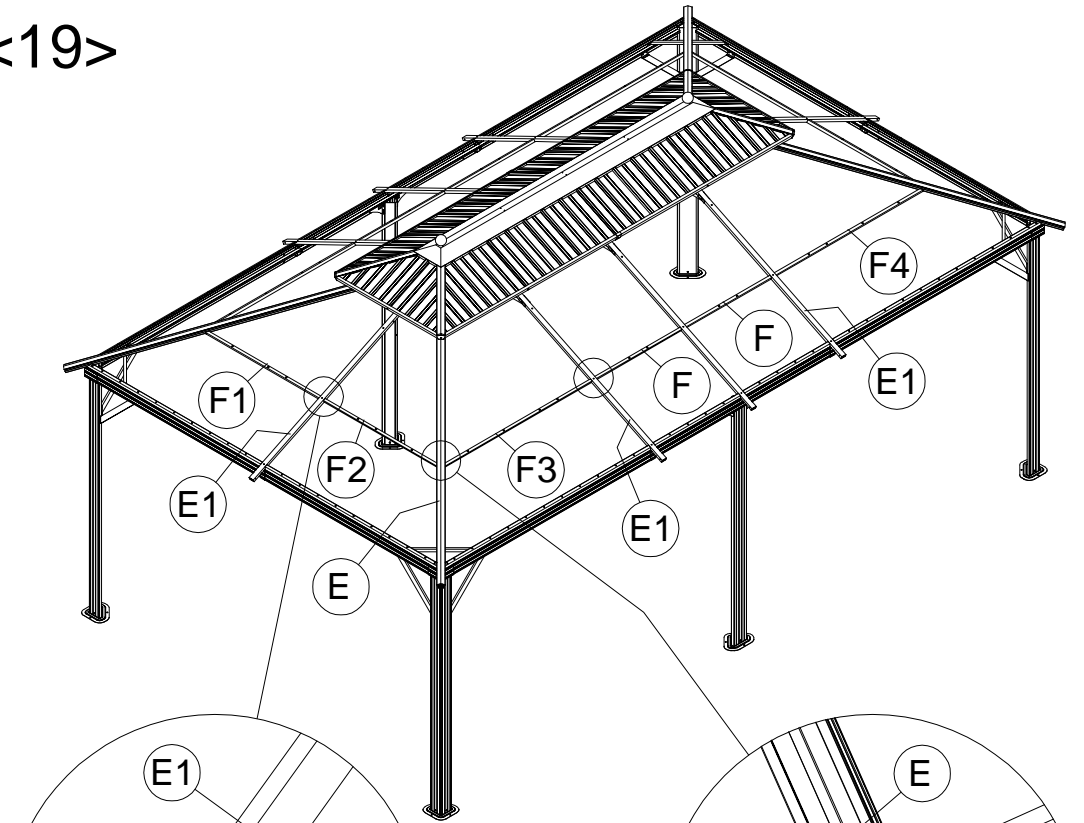


F4 2x

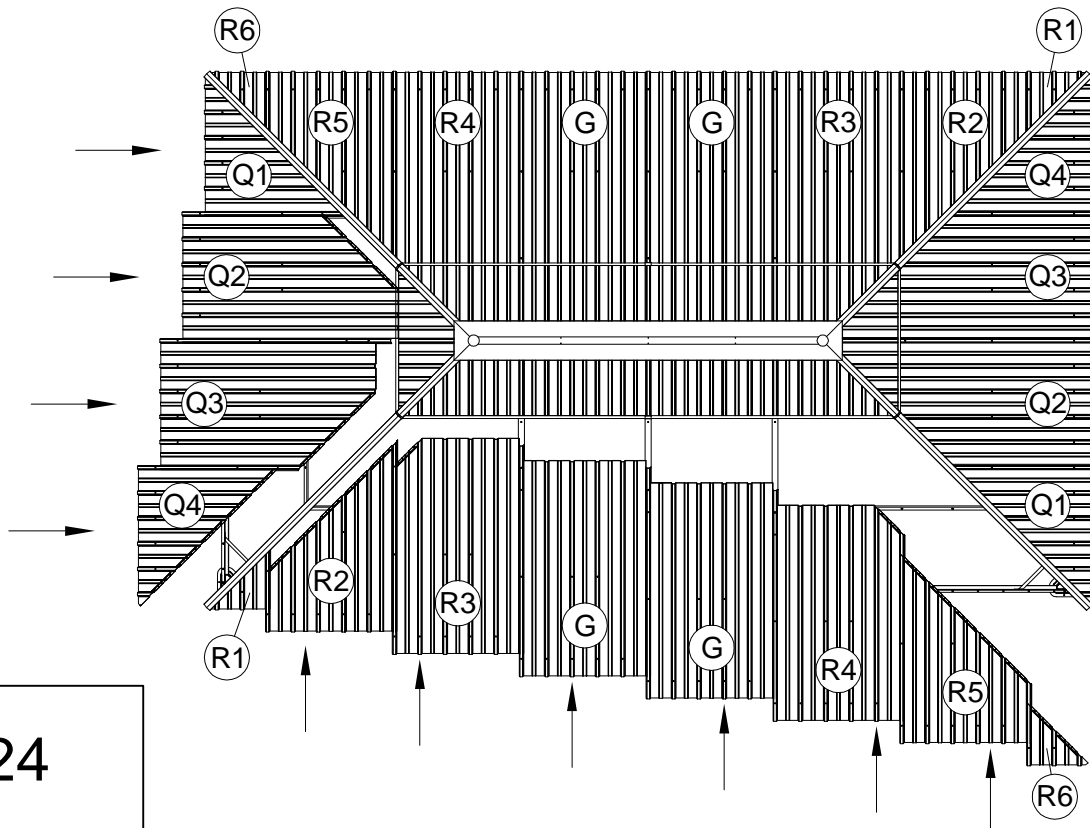
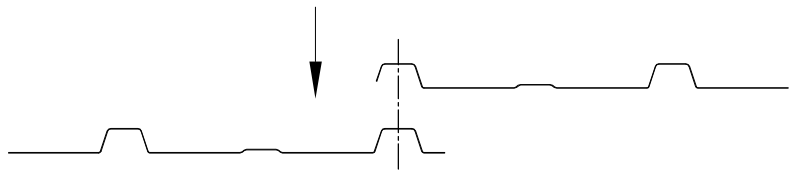
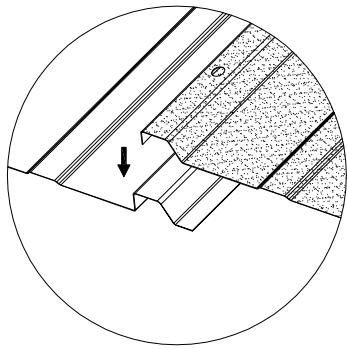
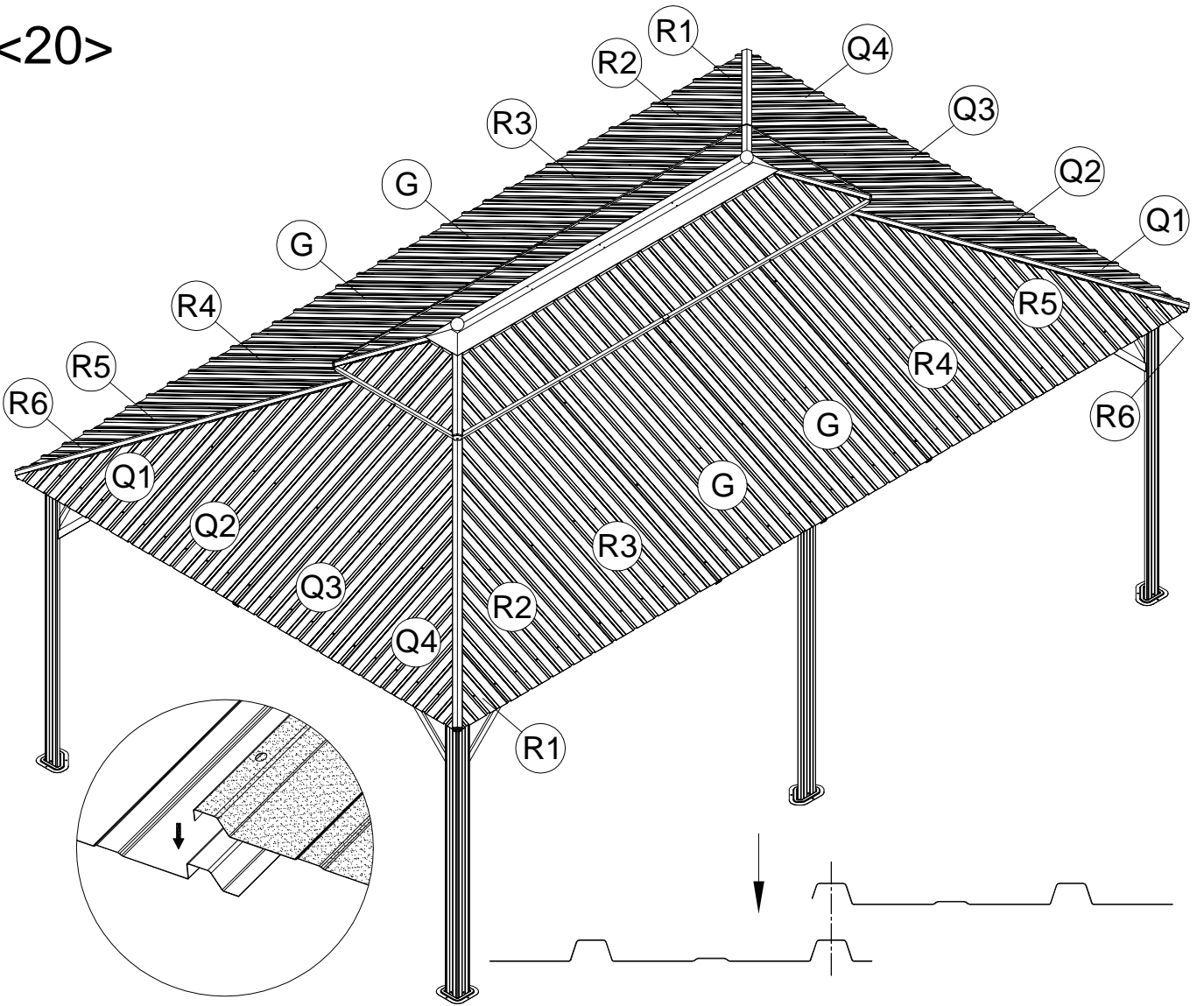


1 12x M6x15

23

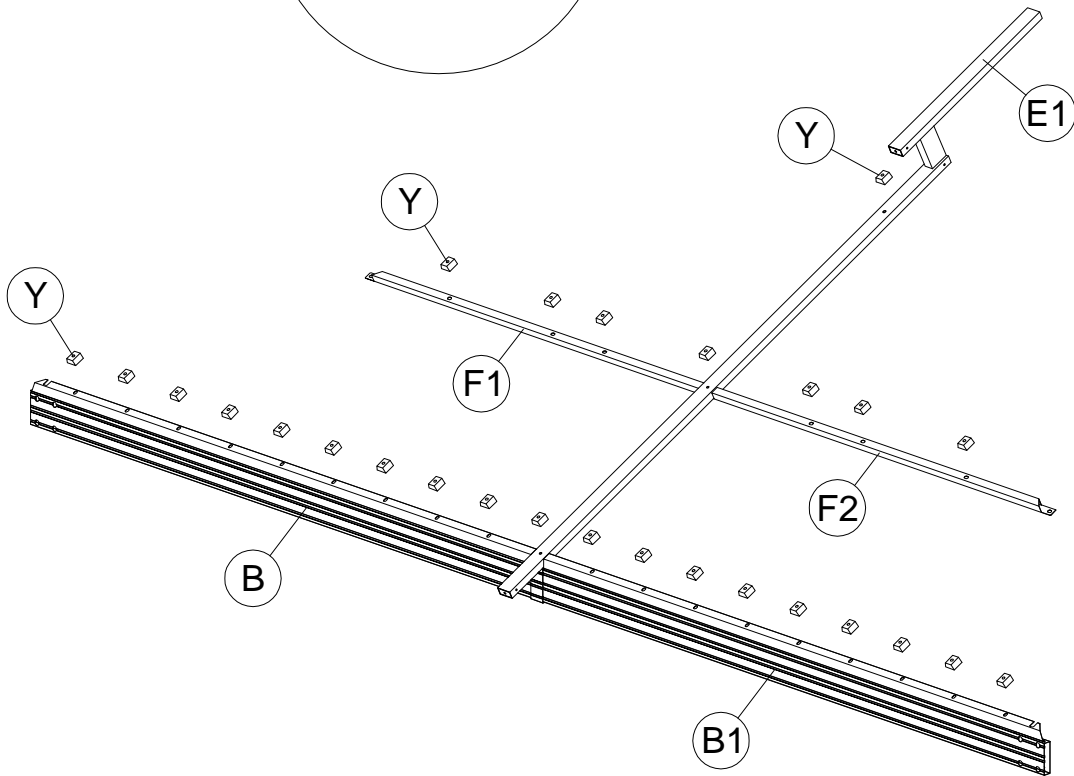
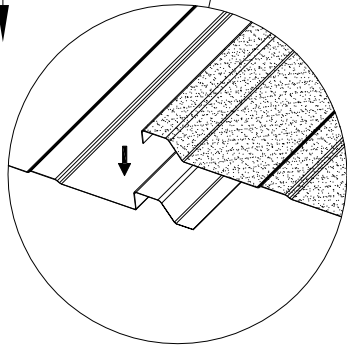
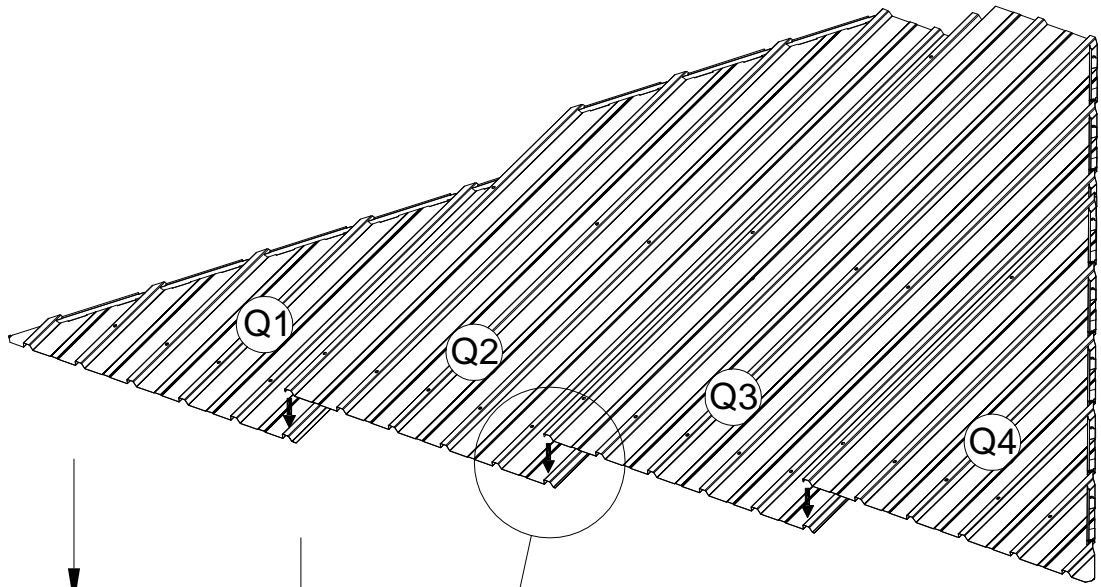


<20>

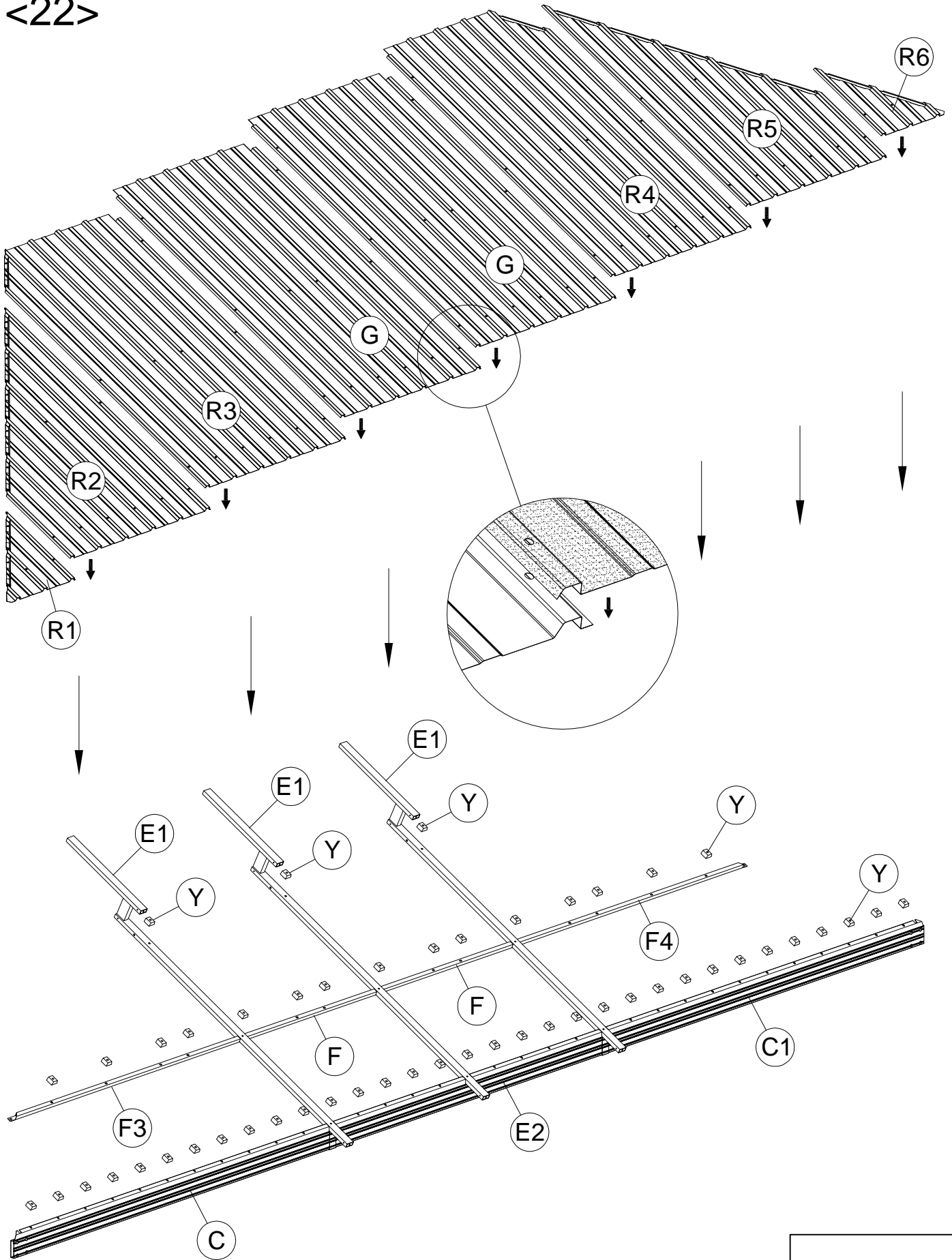


24

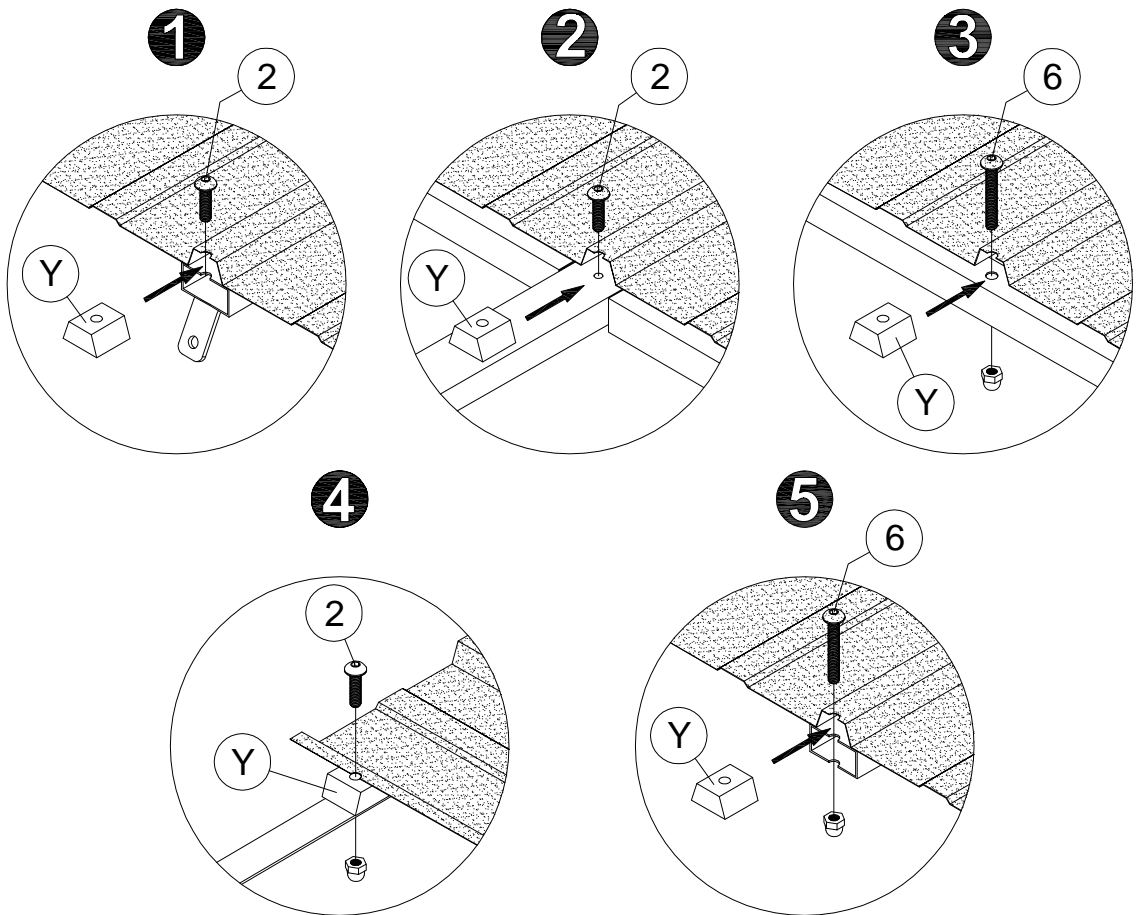
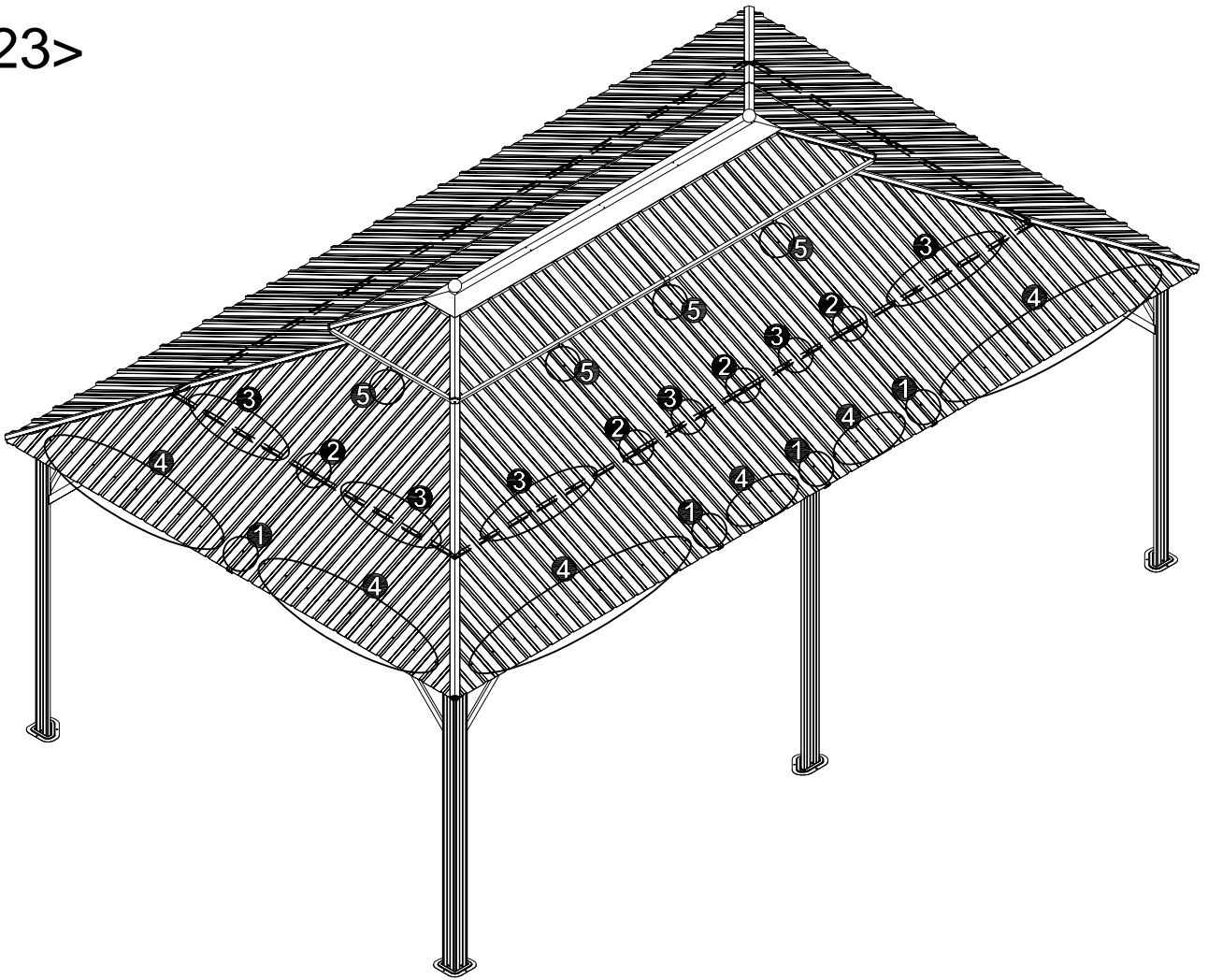
<21>



<22>



<23>



Y 156x

16x

96x

M6x23

2 16x + 96x



M6x42

6 44x

27

<24>

G1 2x

G2 2x

G3 2x

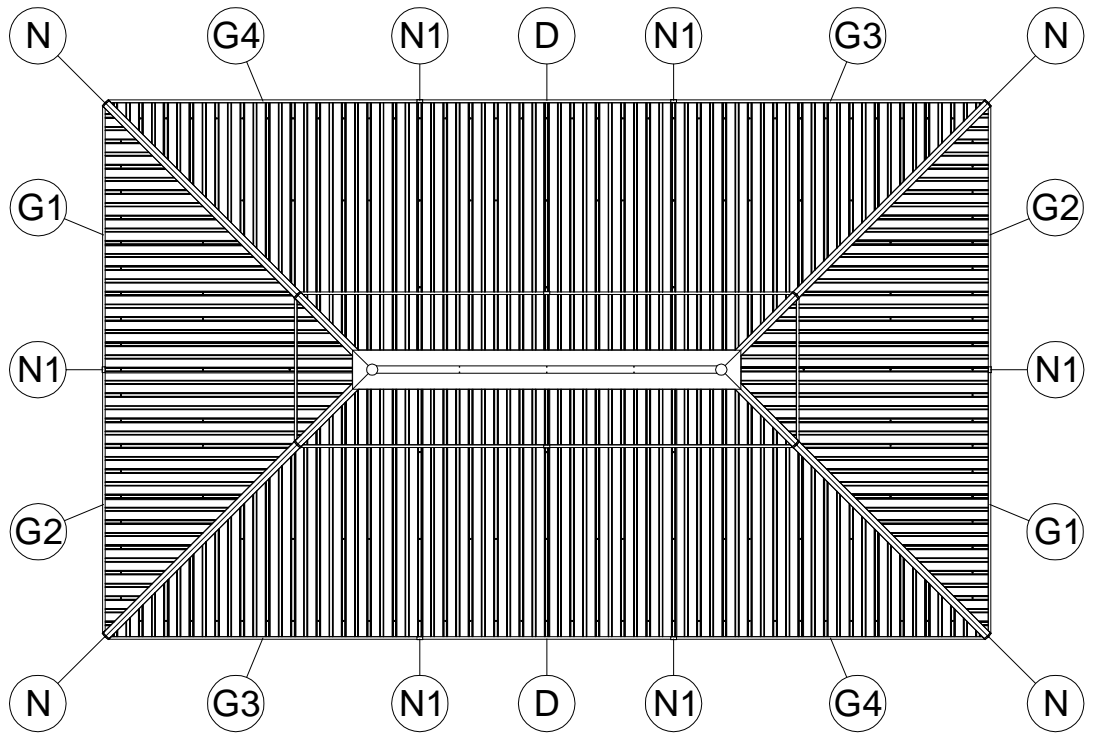
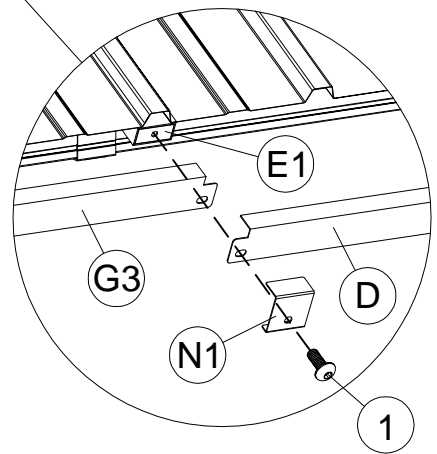
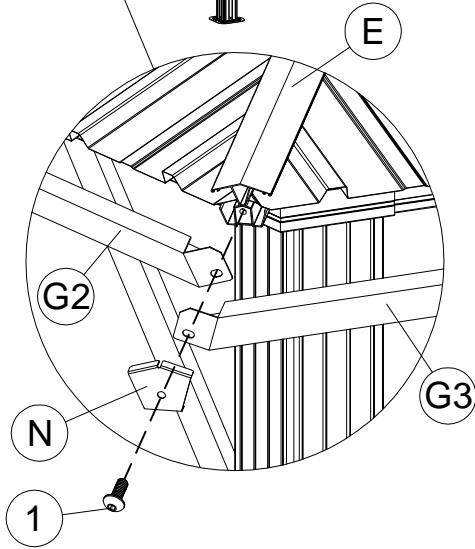
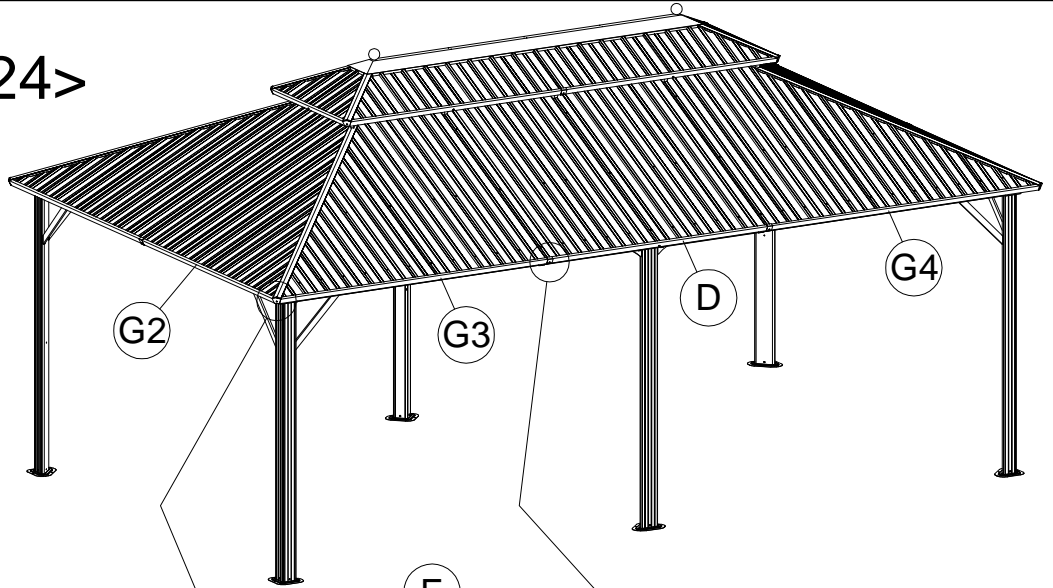
G4 2x

N 4x

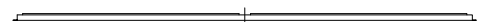
N1 6x

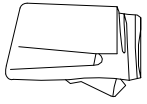
1 12x M6x15

28



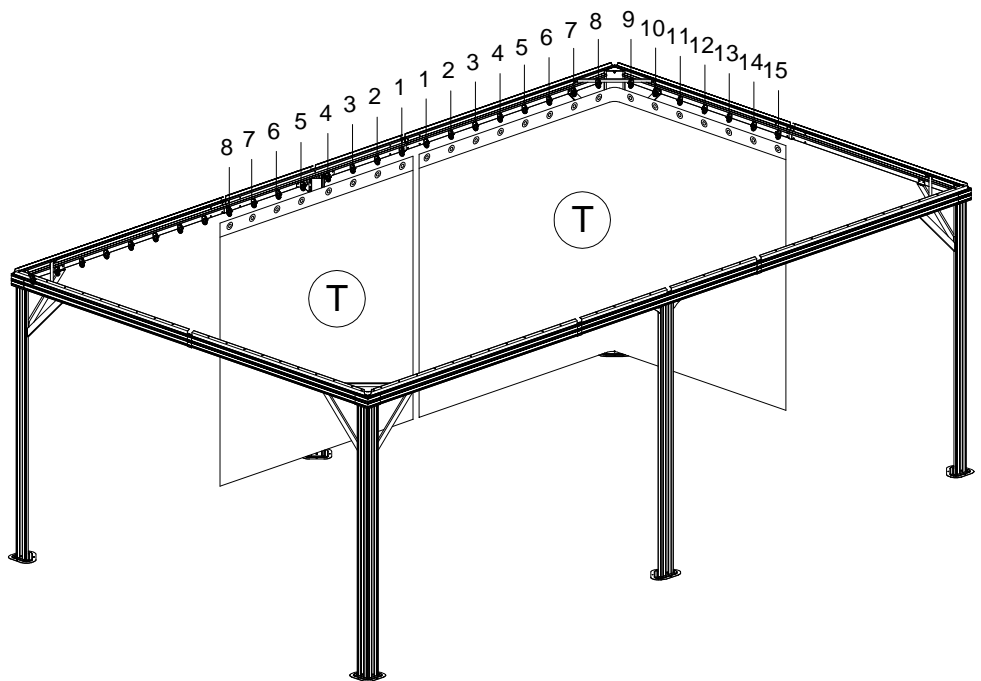
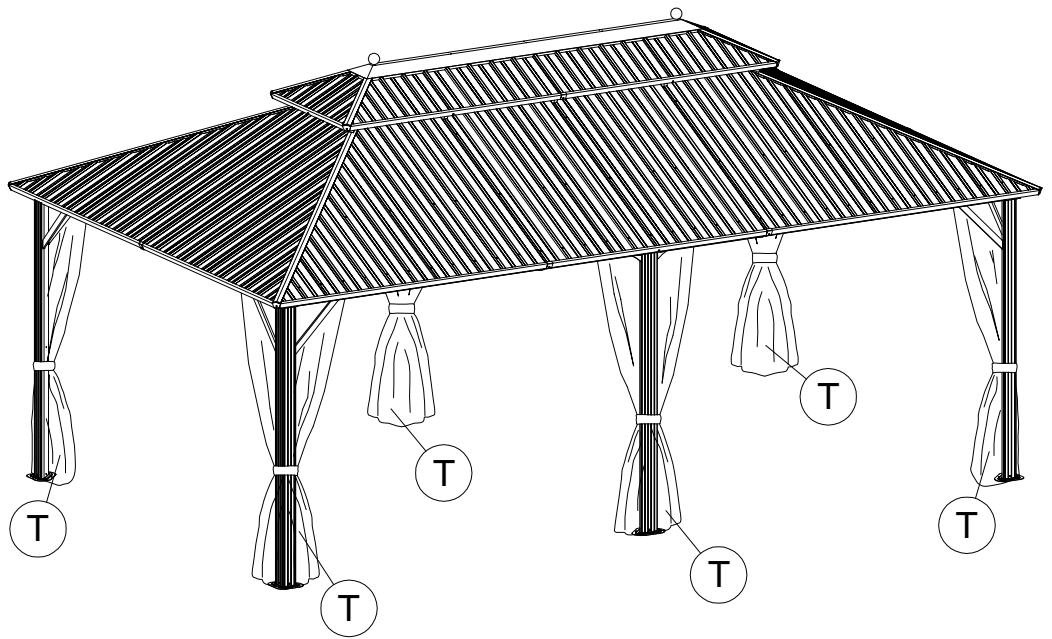
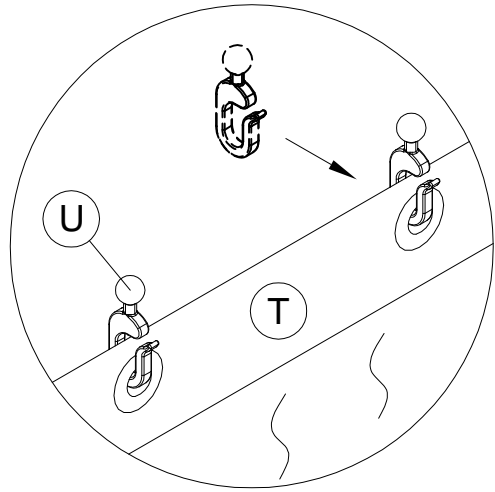
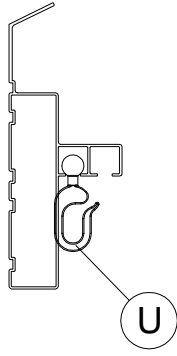
D 2x

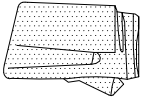




<25>

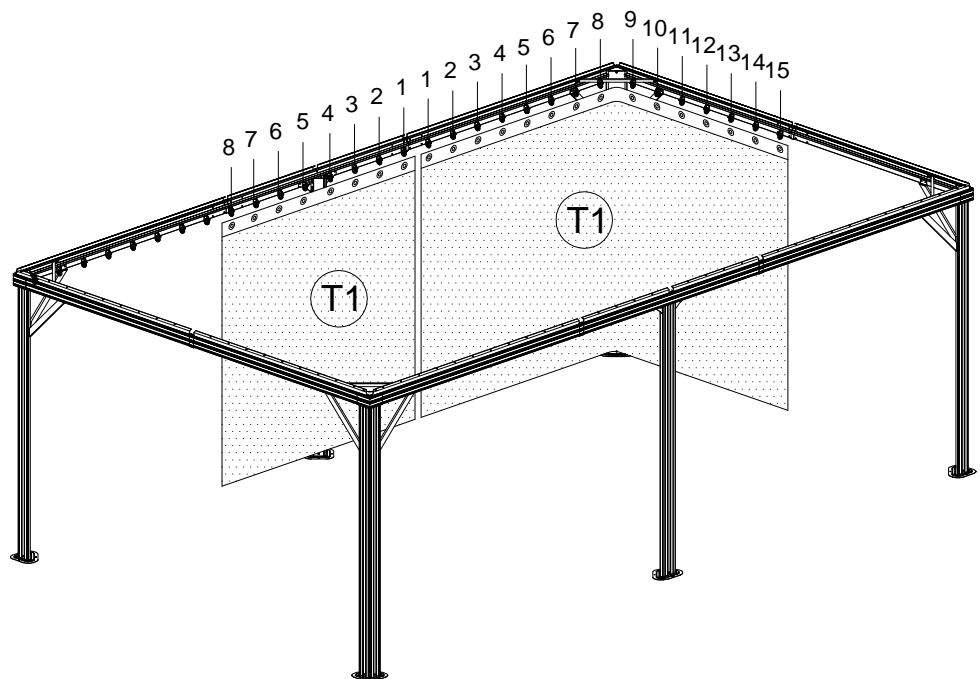
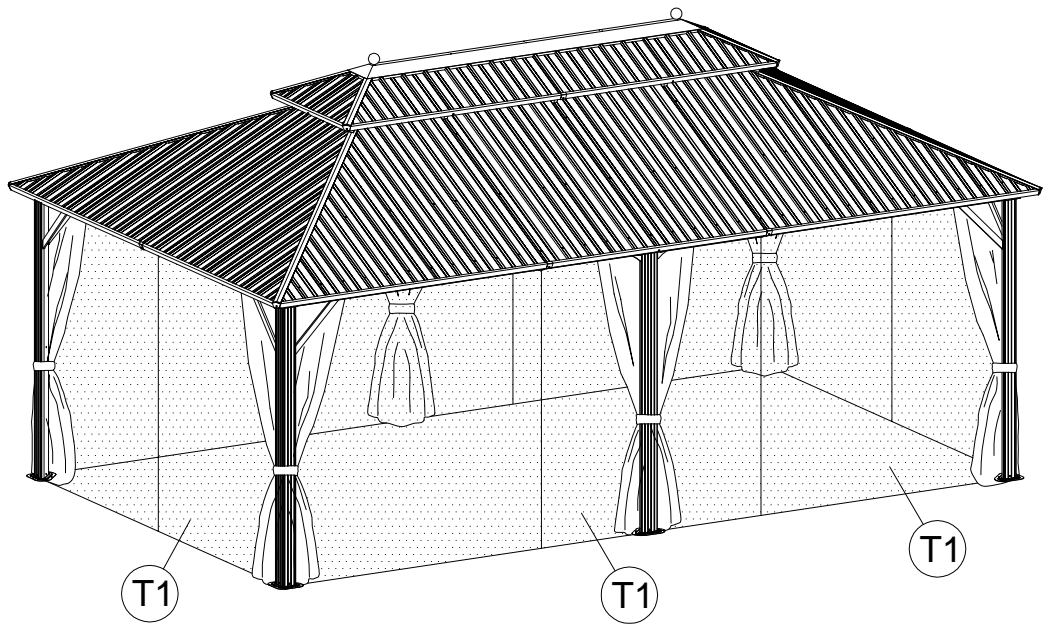
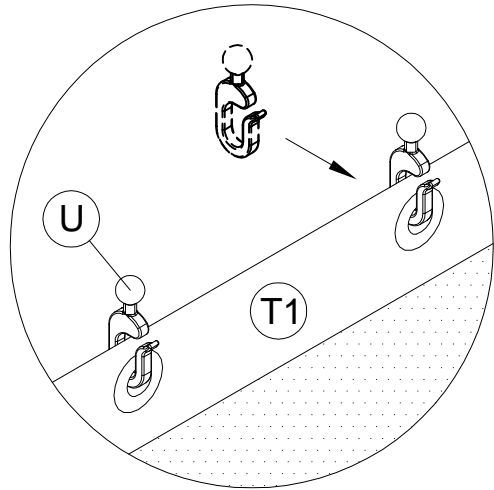
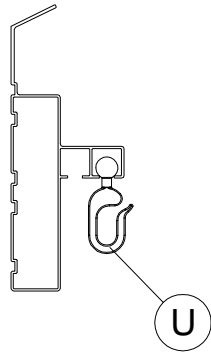
T 4x + 2x

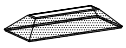




<26>

T1 4x +2x



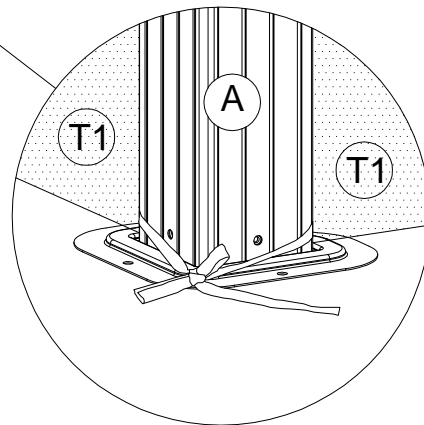
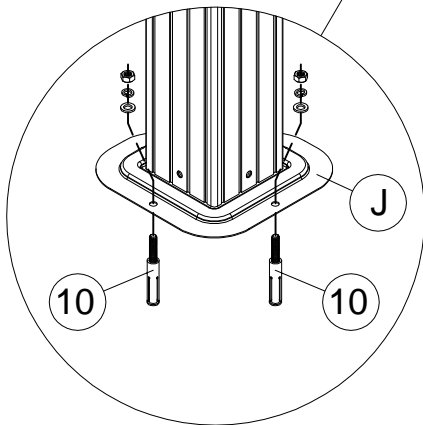
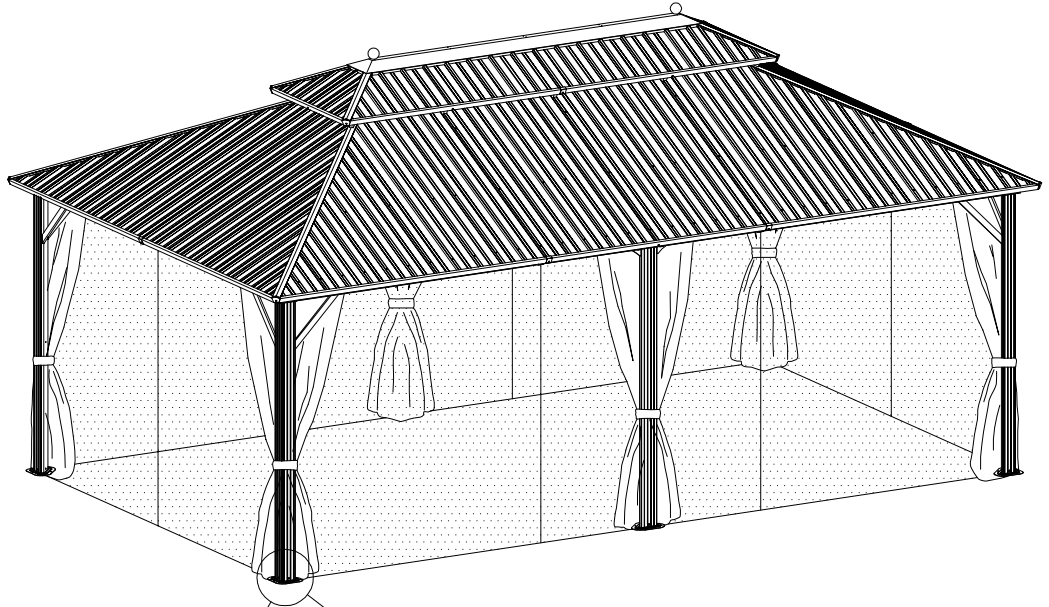


<27>

T1 1x



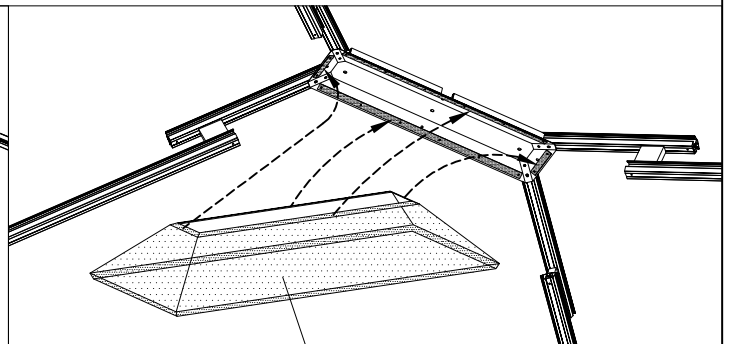
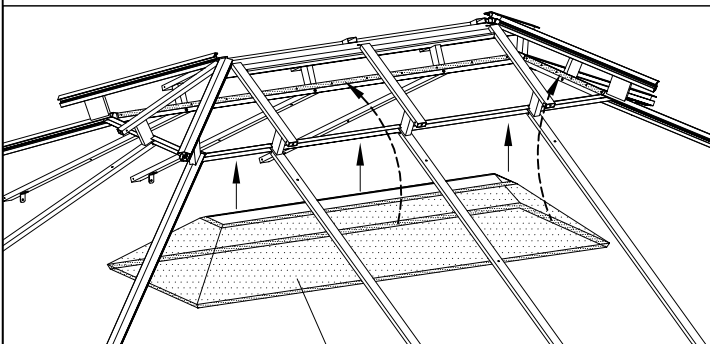
10 18x



1



2



31

T1

T1

Carton-1/5		Carton-2/5		Carton-4/5	
Part	Qty	Part	Qty	Part	Qty
A	4	U1	2	G	2
A1	2	U2	2	Q3	2
B	2	P	6	R1	2
B1	2	T	4 + 2	R4	2
C	2	T1	4 + 2 + 1	R5	2
C1	2	1.2.3.4.6.9	1	R6	2
E2	2			S	2
D	2	Carton-3/5		Sa	2
D4	2			S1	2
D5	2			S2	2
J	6			S3	2
K	4	Part	Qty		
		E	4		
		F	4		
		F1	2		
		F2	2		
		F3	2		
		F4	2		
		D1	2	Carton-5/5	
Carton-2/5		G5	2	Part	Qty
Part	Qty	K1	6	G	2
E1	8	L	1	Q1	2
G1	2	M	1	Q2	2
G2	2	P1	3	Q4	2
G3	2	Y	156	R2	2
G4	2	Z	76	R3	2
D2	2	Z1	12	S3	2
D3	2	Za	2		
H	4	N.N1.U.V.10.11	1		
H1	4				
H2	4				