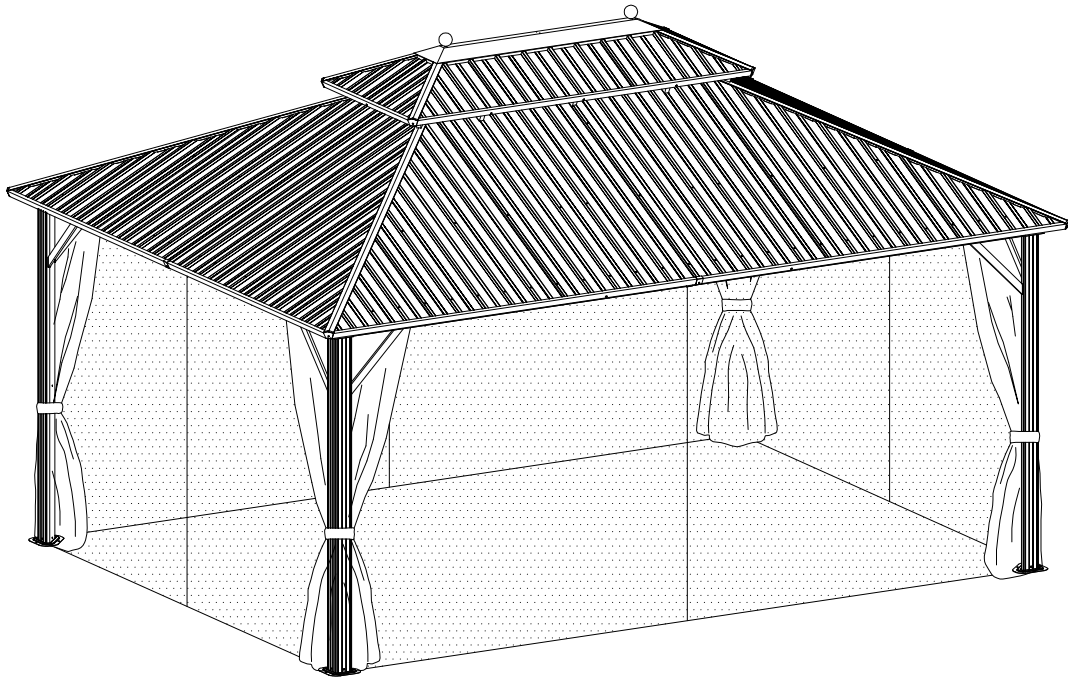


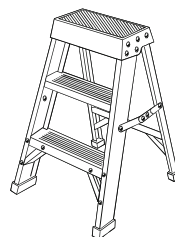
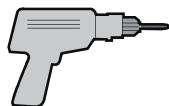
12 x 16 FT

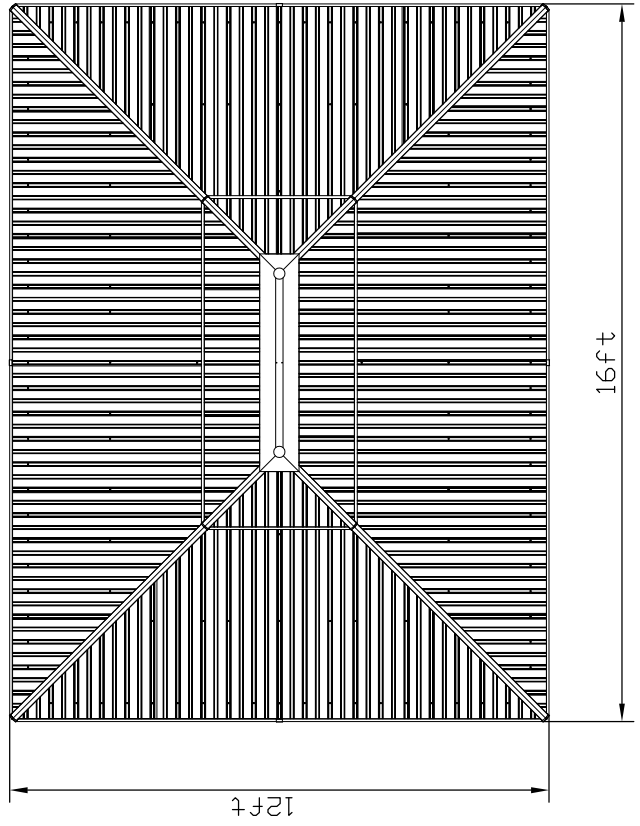
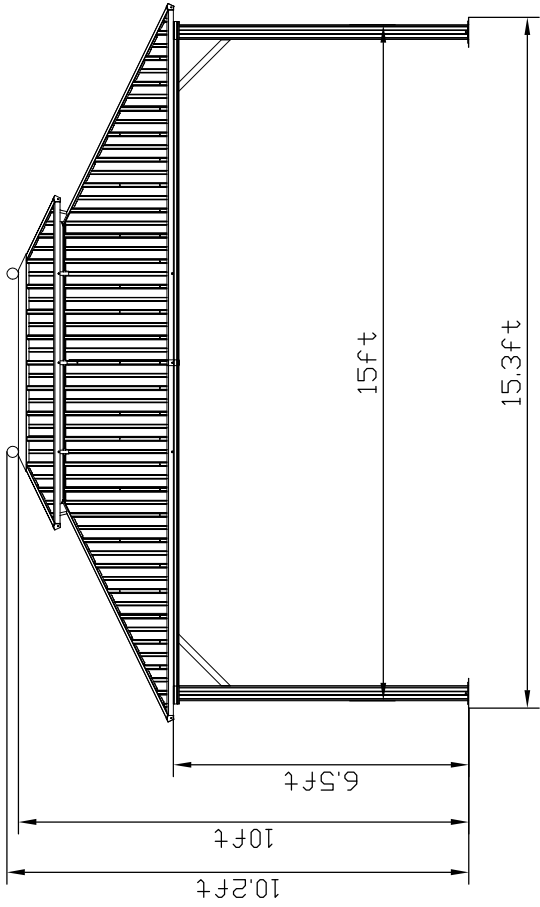
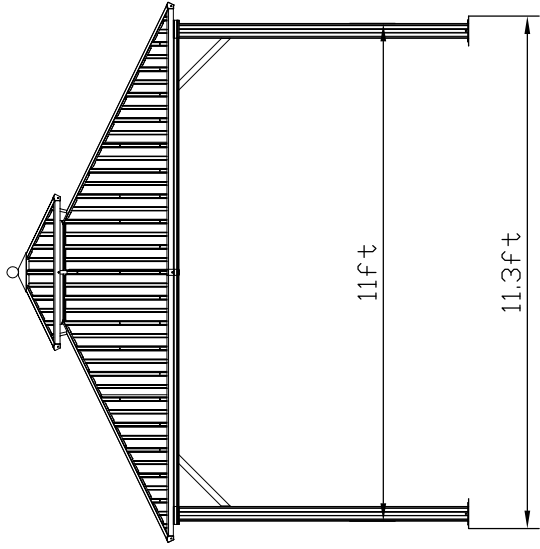
□ □ □ □ □ □ □ □ HWG - 061 □ □ □ □ □ □ □ □

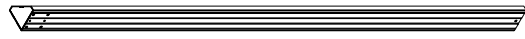


At least need 3 person work together

REQUIRED TOOLS







A 4x



B 2x



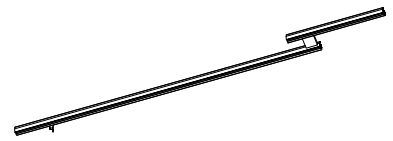
B1 2x



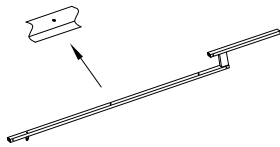
C 2x



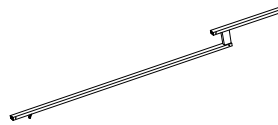
C1 2x



E 4x



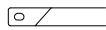
E1 4x



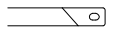
E2 4x



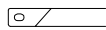
F 4x



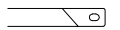
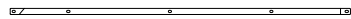
F1 2x



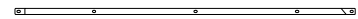
F2 2x



F3 2x



F4 2x



G1 2x



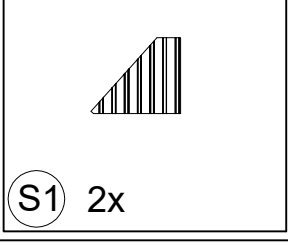
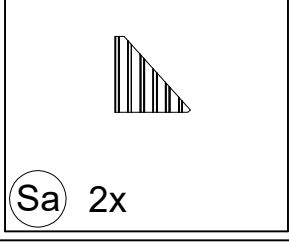
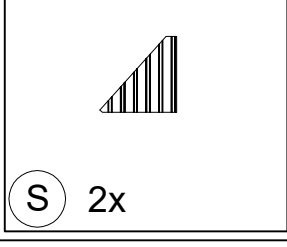
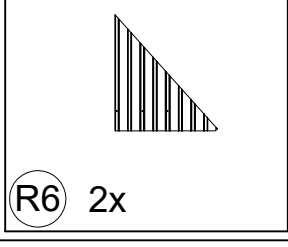
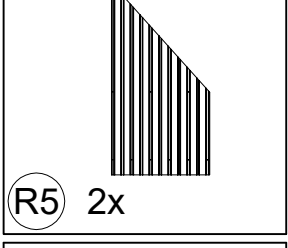
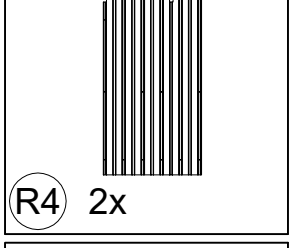
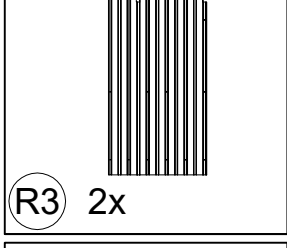
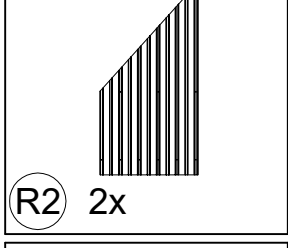
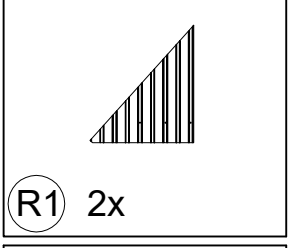
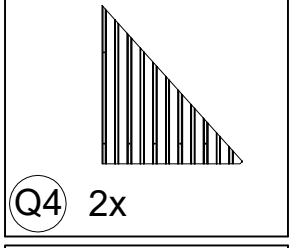
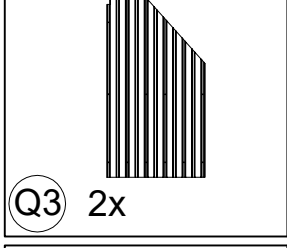
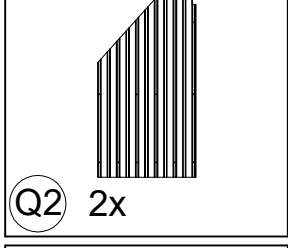
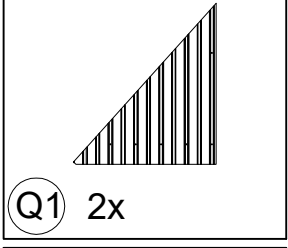
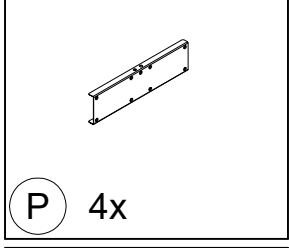
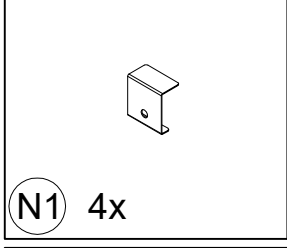
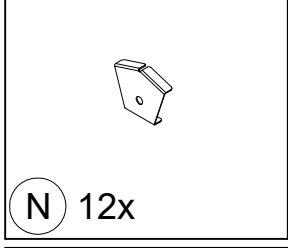
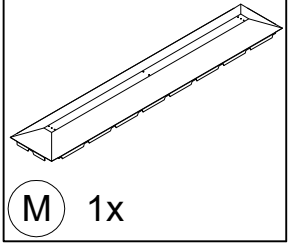
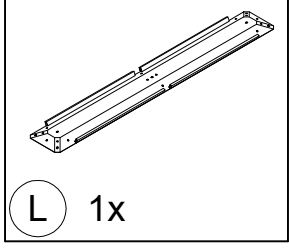
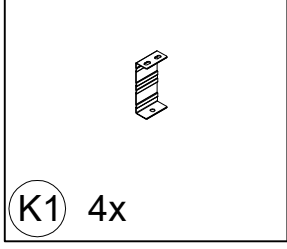
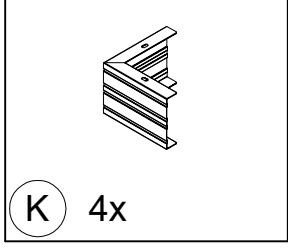
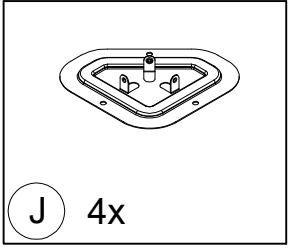
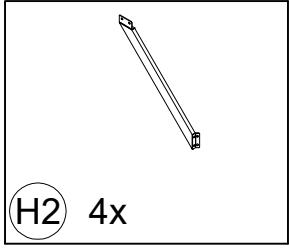
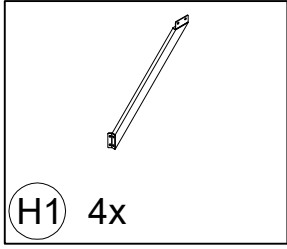
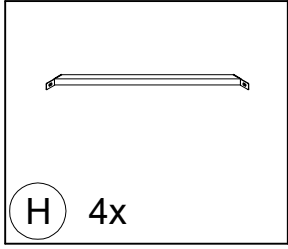
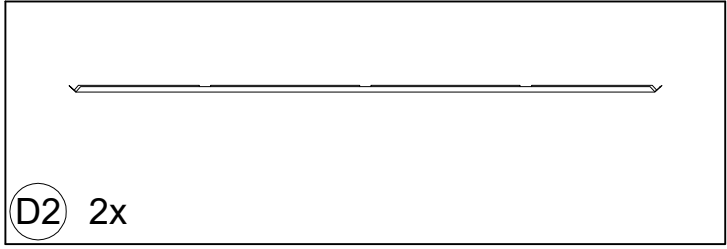
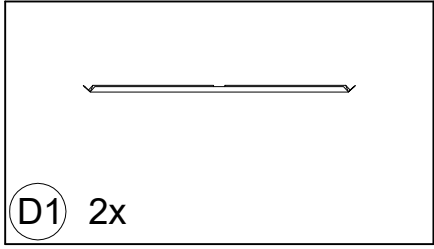
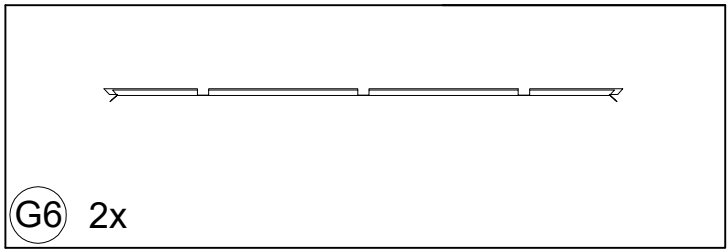
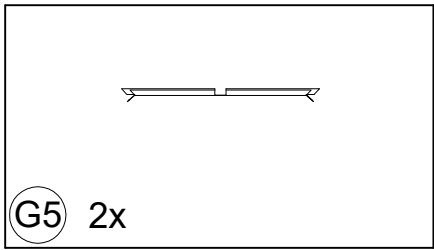
G2 2x

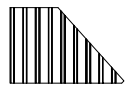


G3 2x

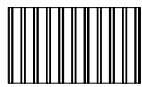


G4 2x

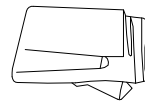




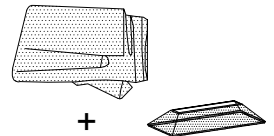
S2 2x



S3 2x



T 4x



T1 4x + 1x



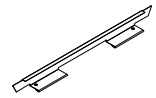
U 128x



V 4x



Y 128x



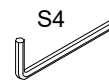
Z 72x



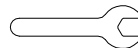
Z1 12x



Za 2x



1x



1x



M6x15

1 171x



8x



84x

M6x23

2 8x+84x



M5x12

3 36x



ST4.8x12

4 24x



5 2x

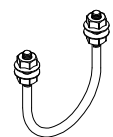


M6x42

6 36x

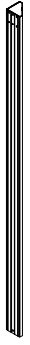


9 12x

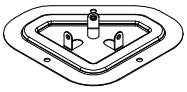


10 1x

<1>



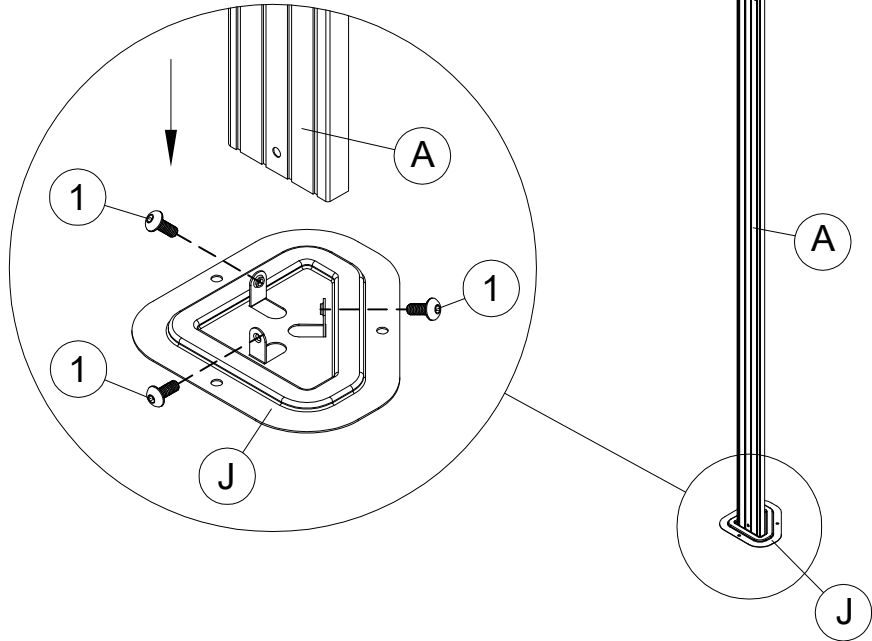
A 4x



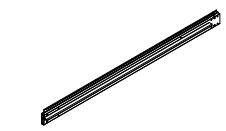
J 4x



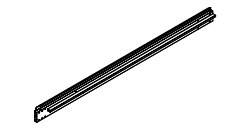
1 12x M6x15



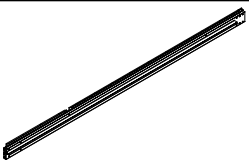
<2>



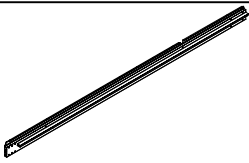
B 2x



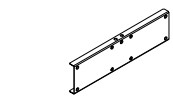
B1 2x



C 2x



C1 2x

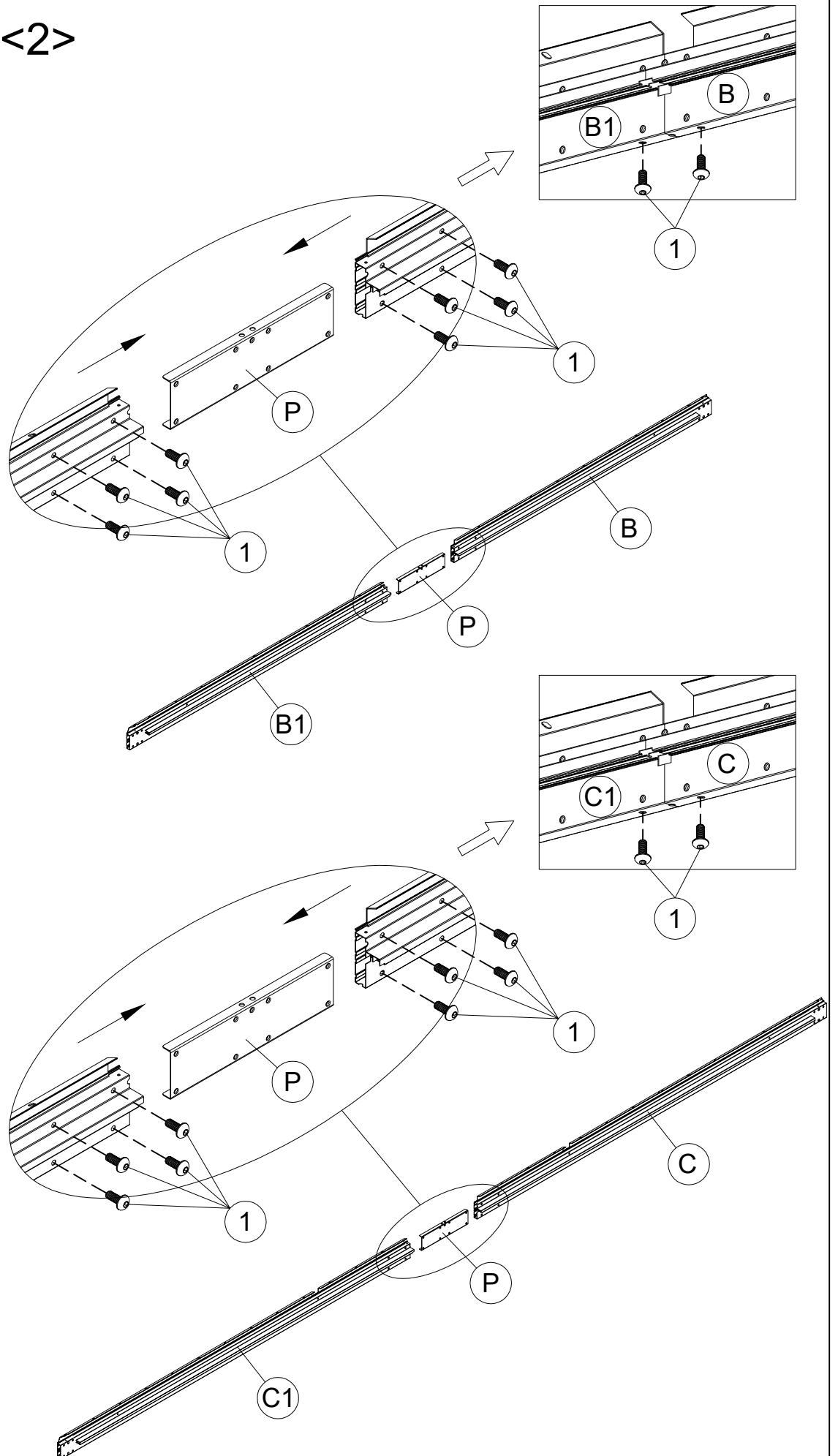


P 4x



1 40x M6x15

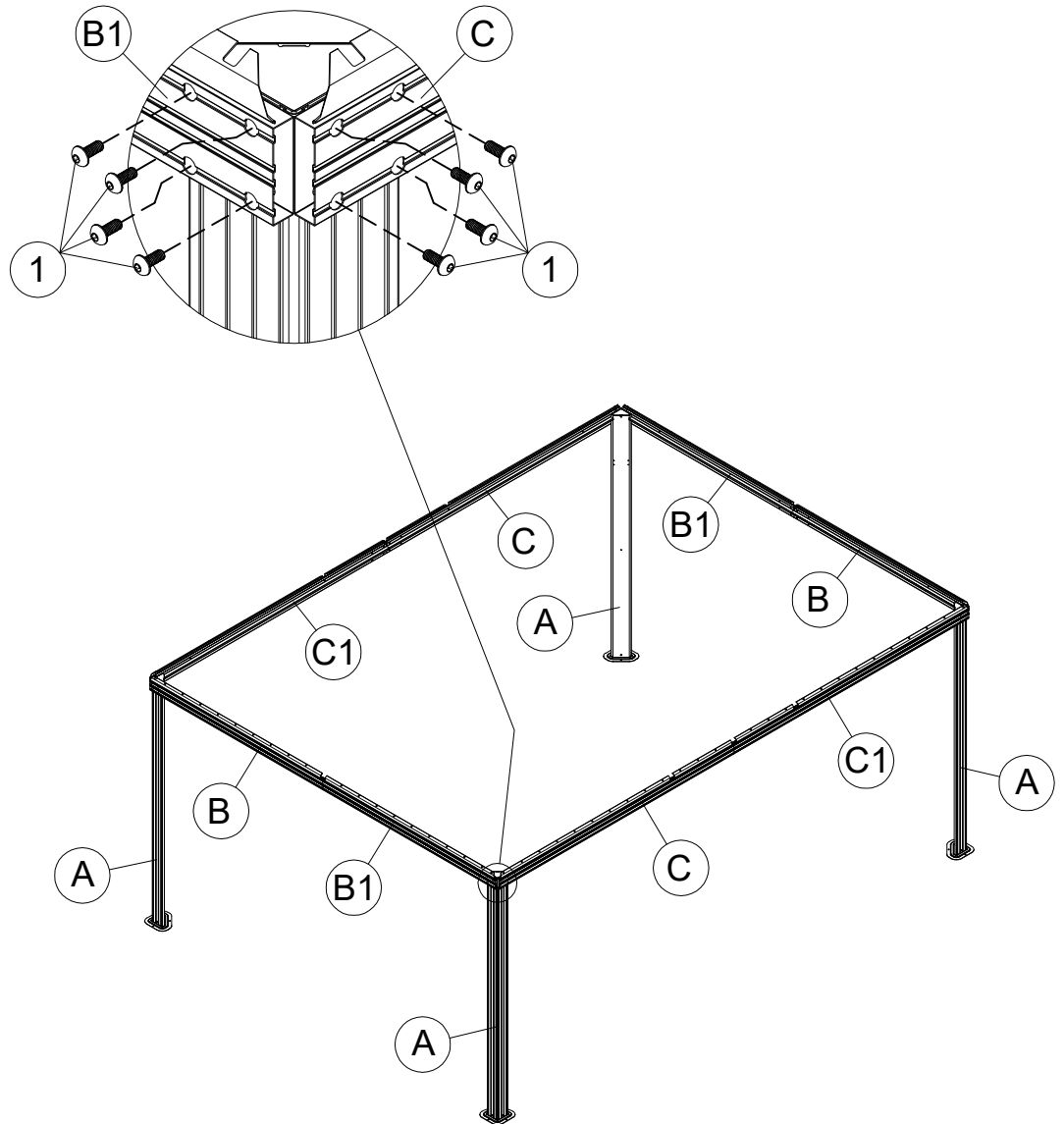
6





<3>

1 M6x15
32x

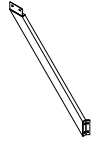


7

<4>



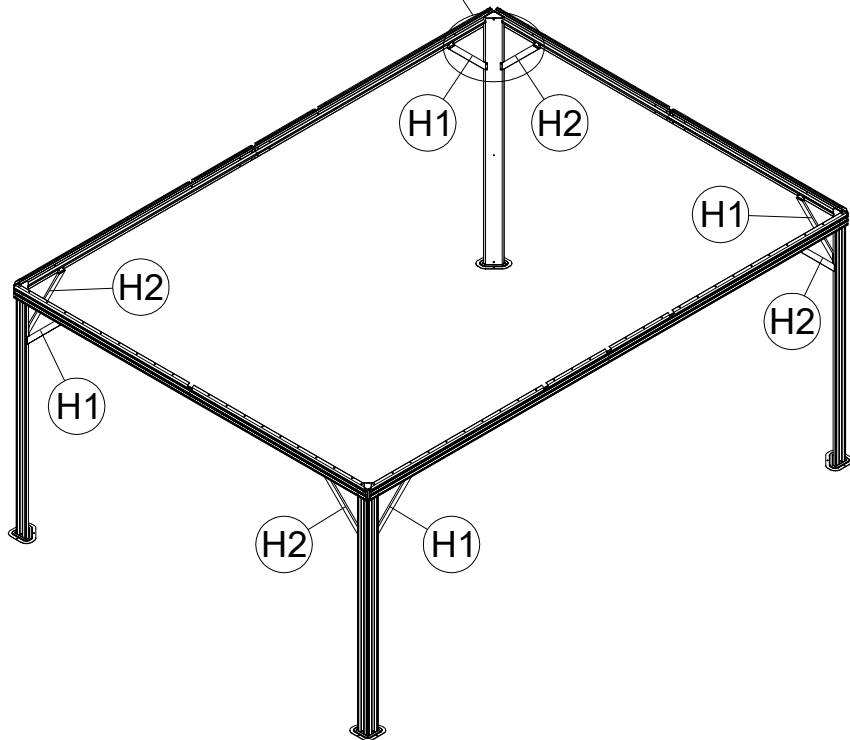
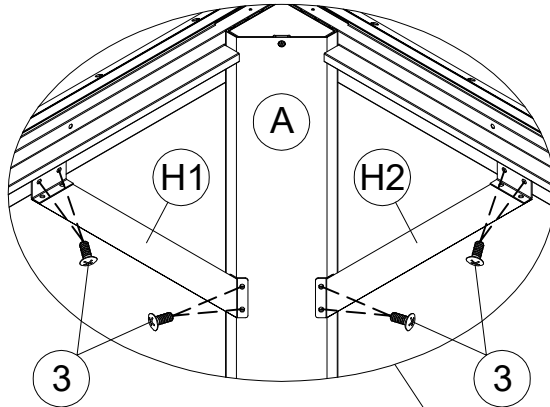
H1 4x



H2 4x



3 32x M5x12



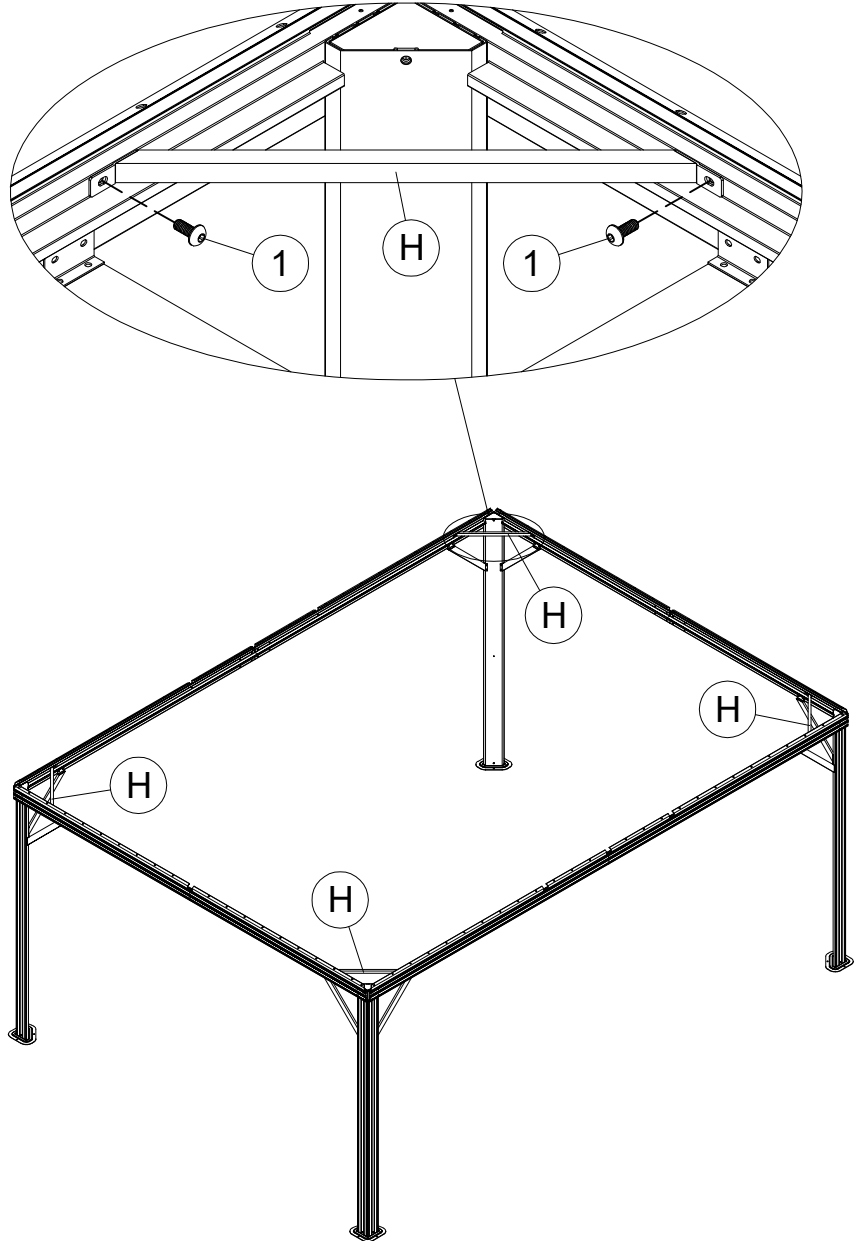


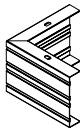
<5>

H 4x



1 8x M6x15





(K) 4x



(K1) 4x



(U) 128x



(V) 4x

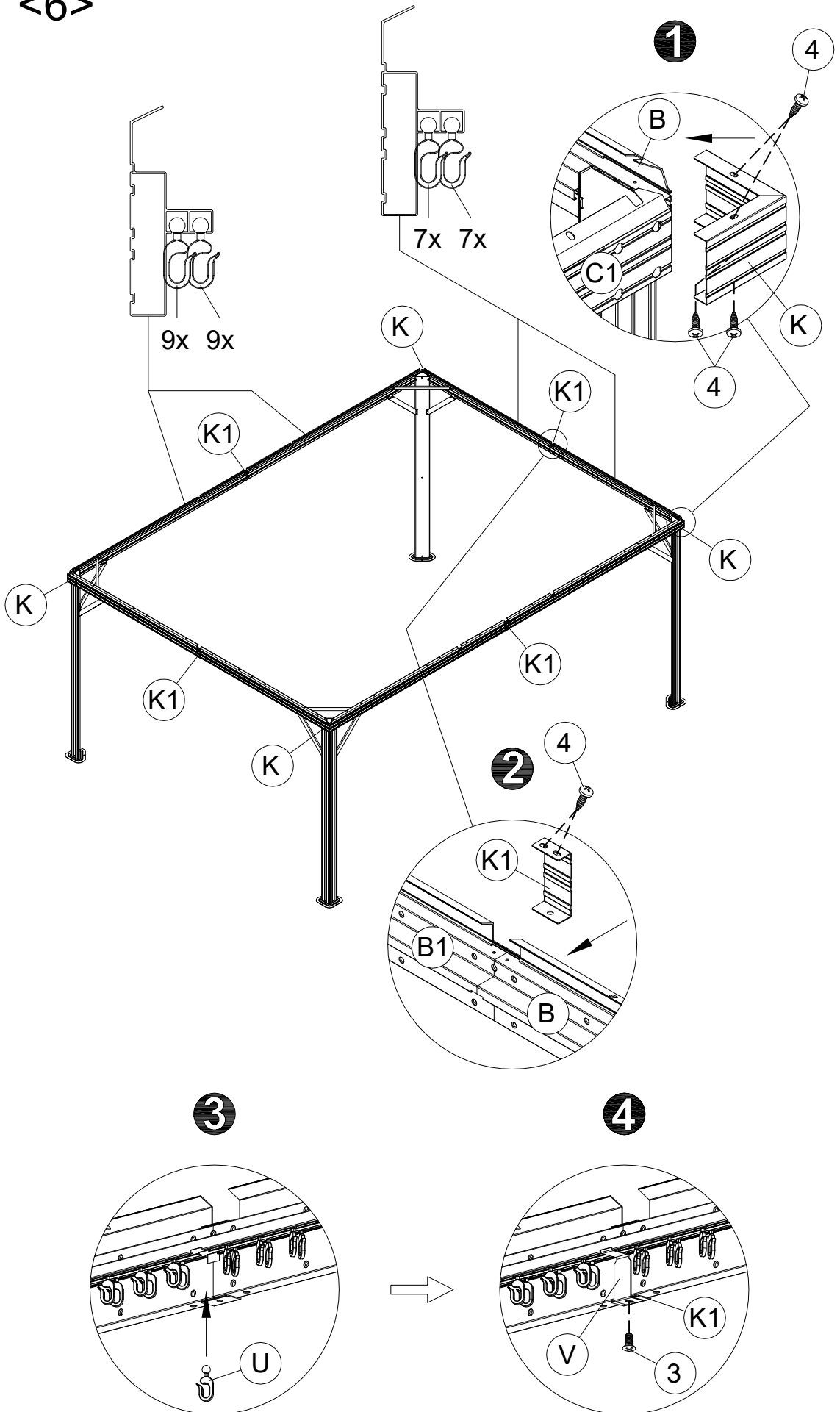


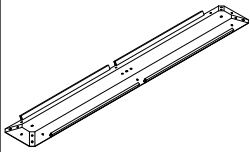
(3) 4x M5x12



(4) 24x ST4.8x12

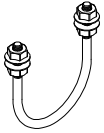
<6>



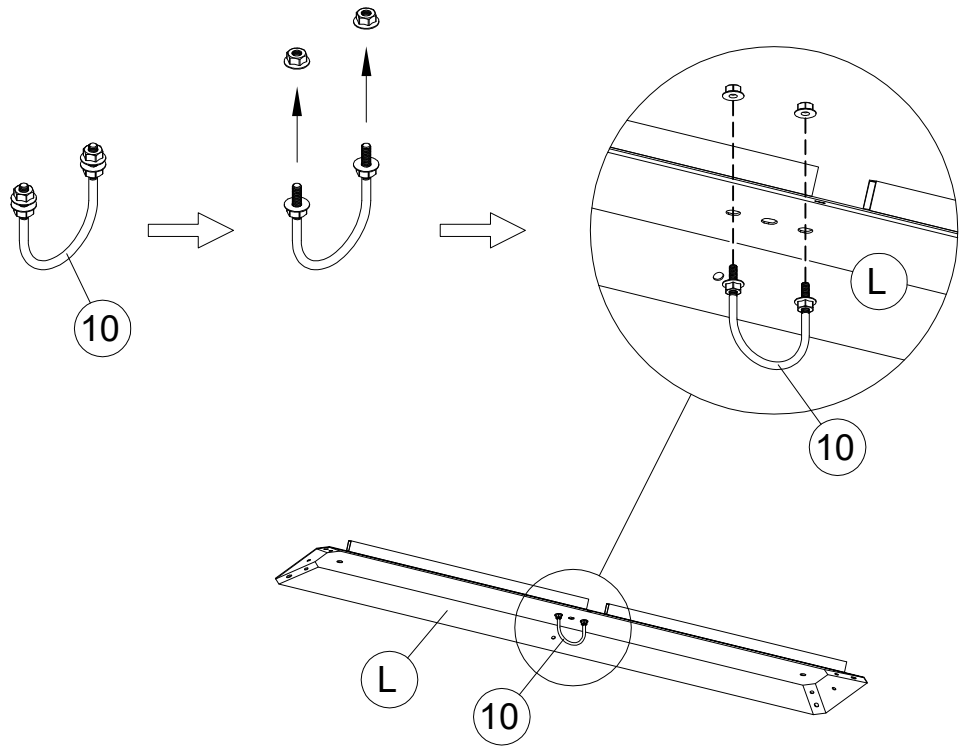


<7>

L 1x



10 1x



<8>

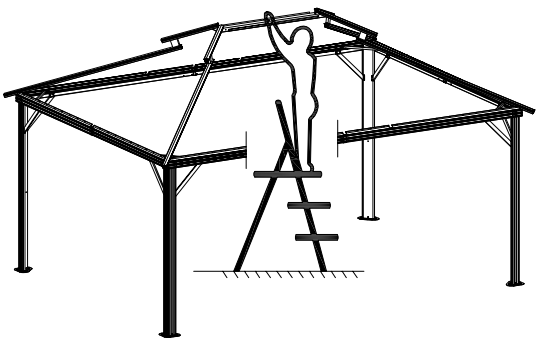
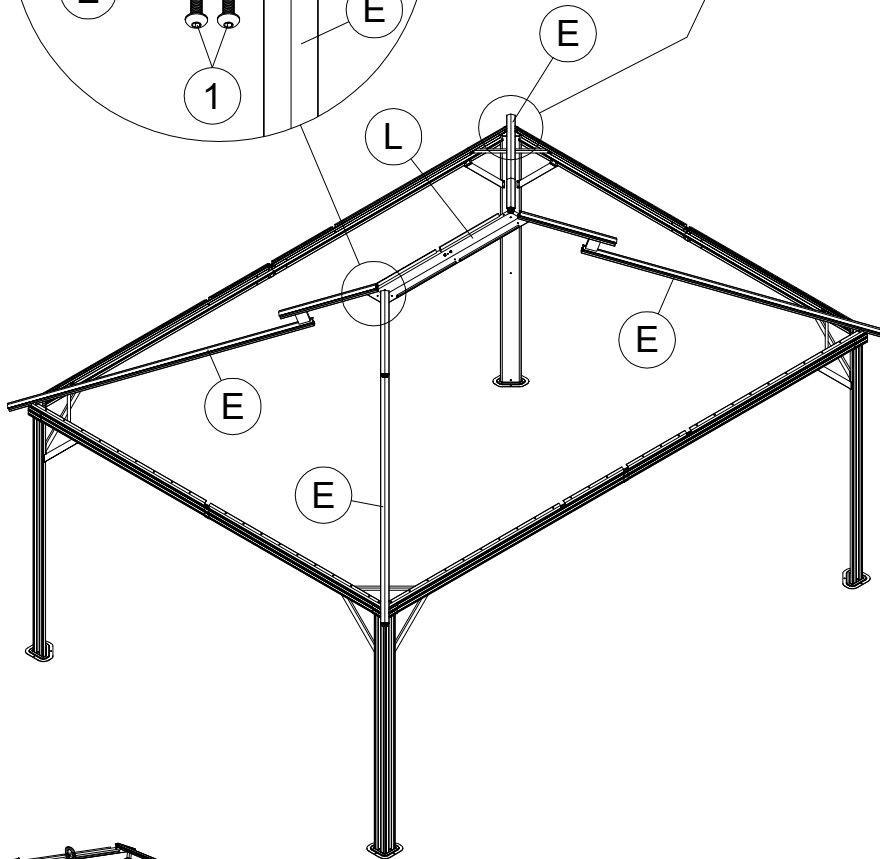
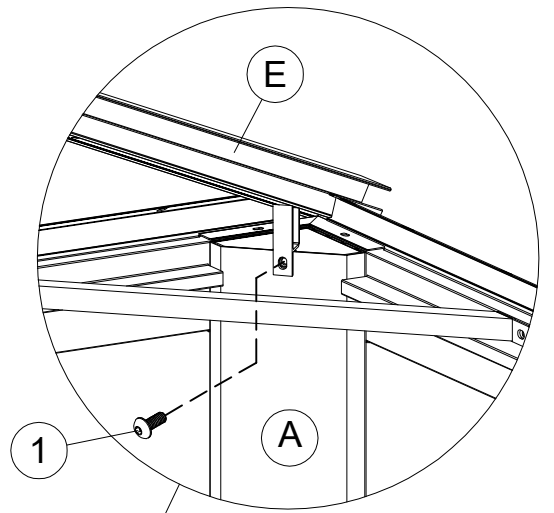
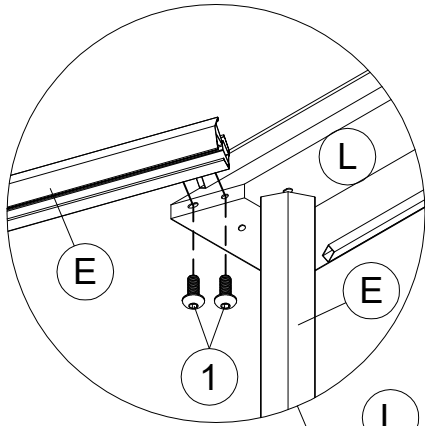


E 4x



M6x15

1 12x



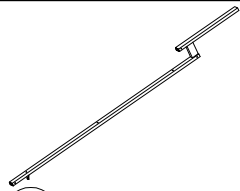
Note:

1. Let one person stand on the ladder to lift " L " and hold, and let others fasten the screws connecting both ends of " E " .

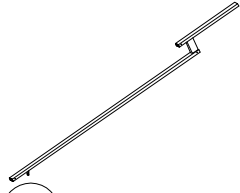
2. Please do not let go of holding " L " until all the " E " screws are installed.

12

<9>



E1 4x

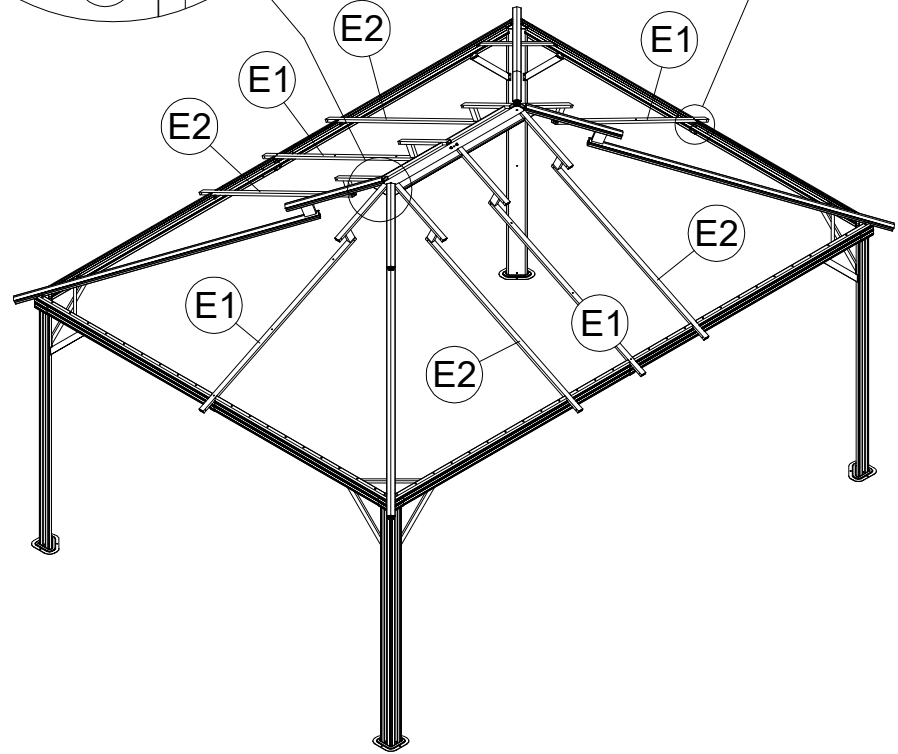
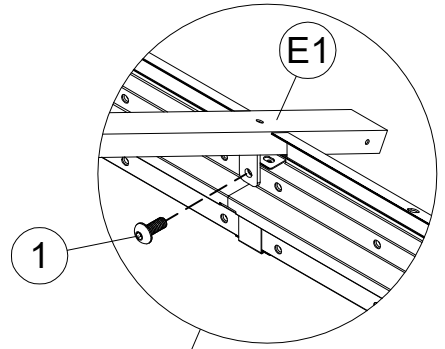
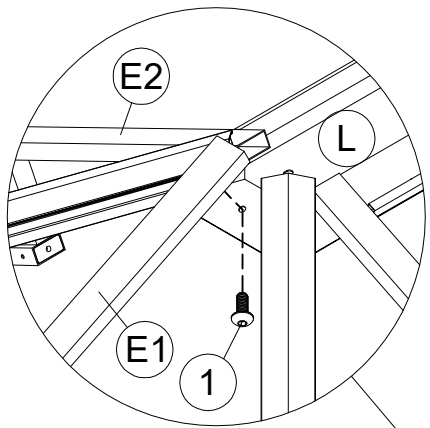


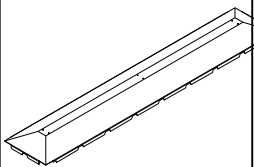
E2 4x



M6x15

1 16x





<10>

(M) 1x



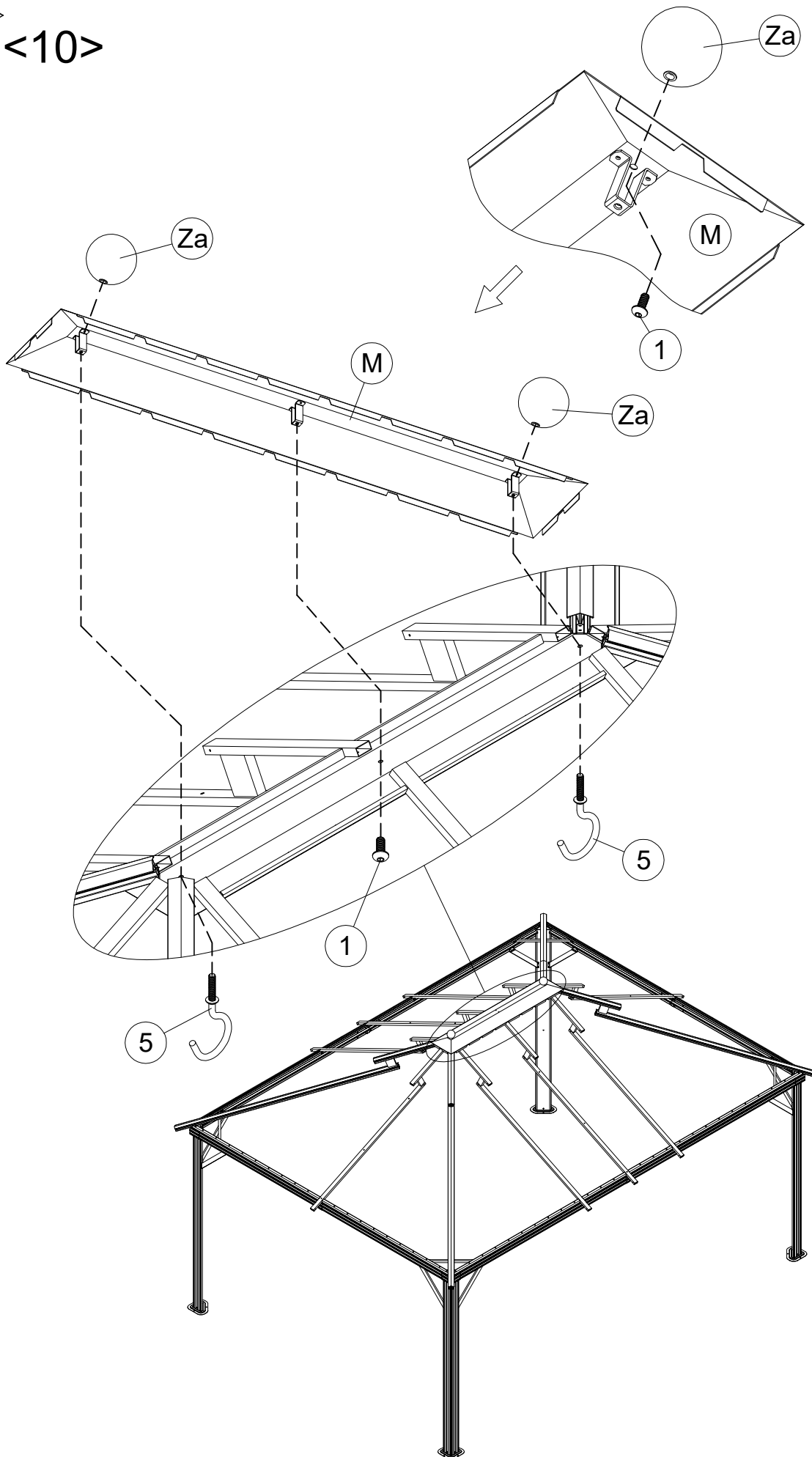
(Za) 2x



(1) 3x M6x15



(5) 2x





<11>

G5 2x

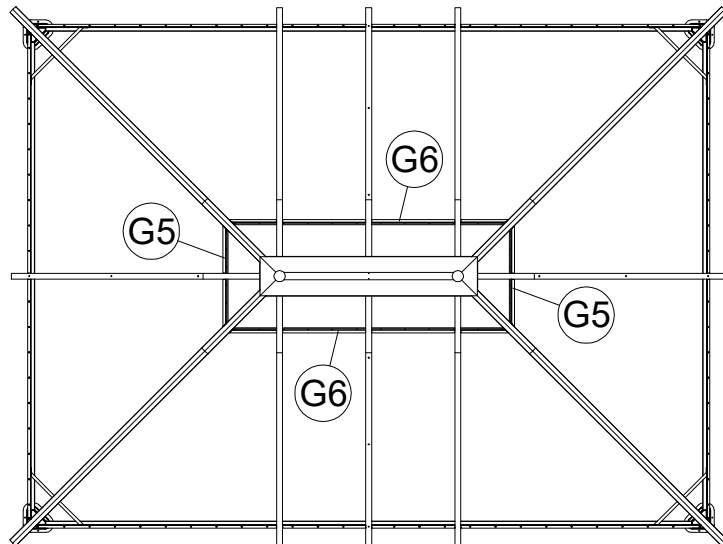
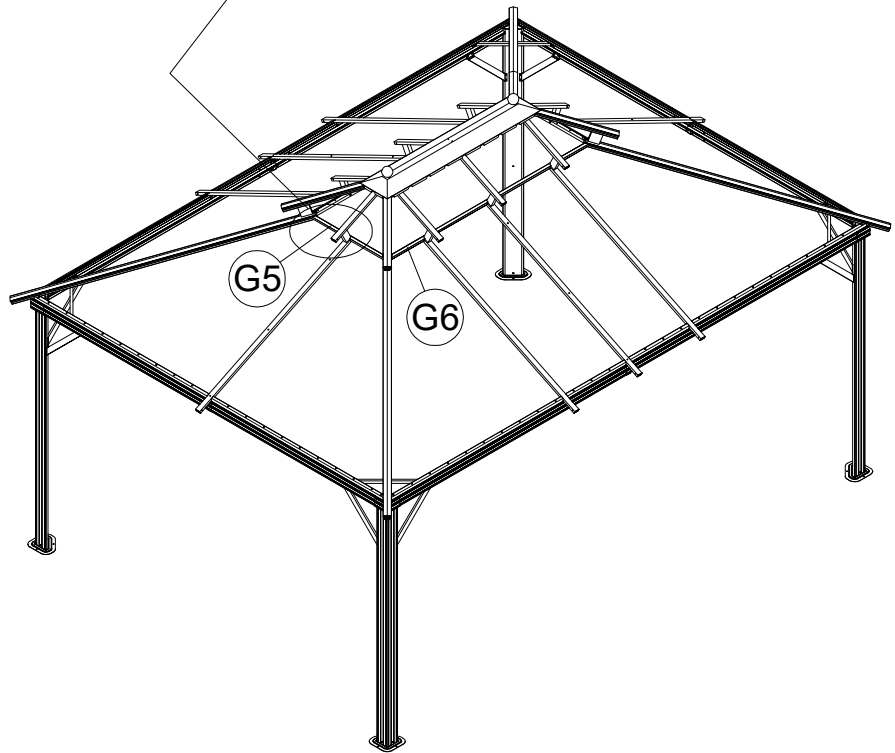
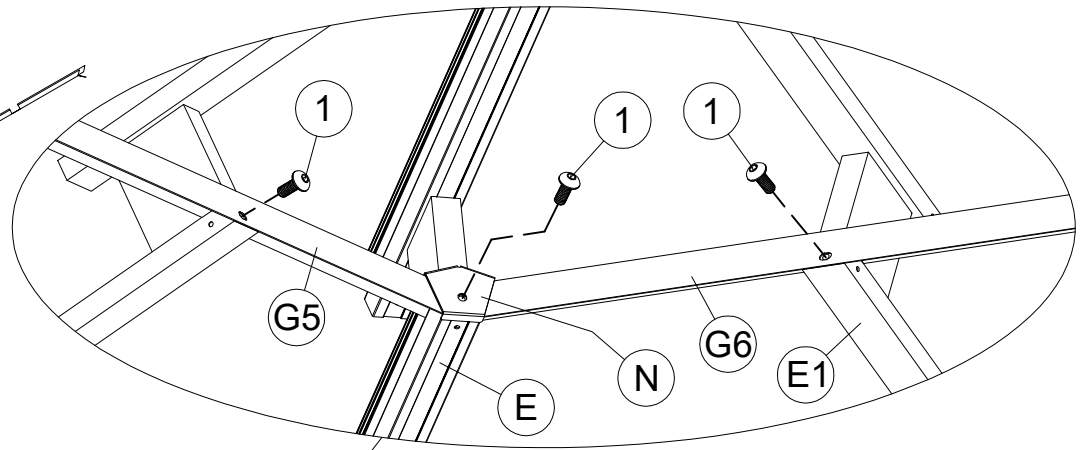
G6 2x



N 4x

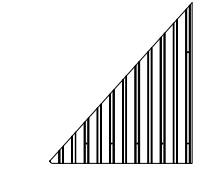


1 12x M6x15

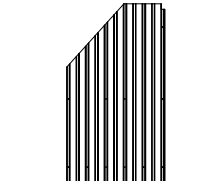


15

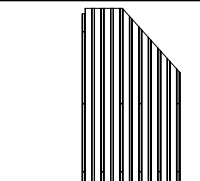
<12>



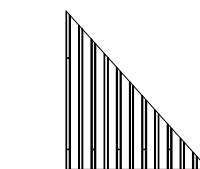
Q1 2x



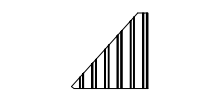
Q2 2x



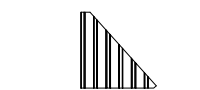
Q3 2x



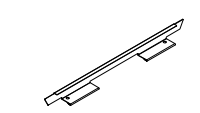
Q4 2x



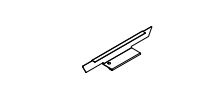
S 2x



Sa 2x

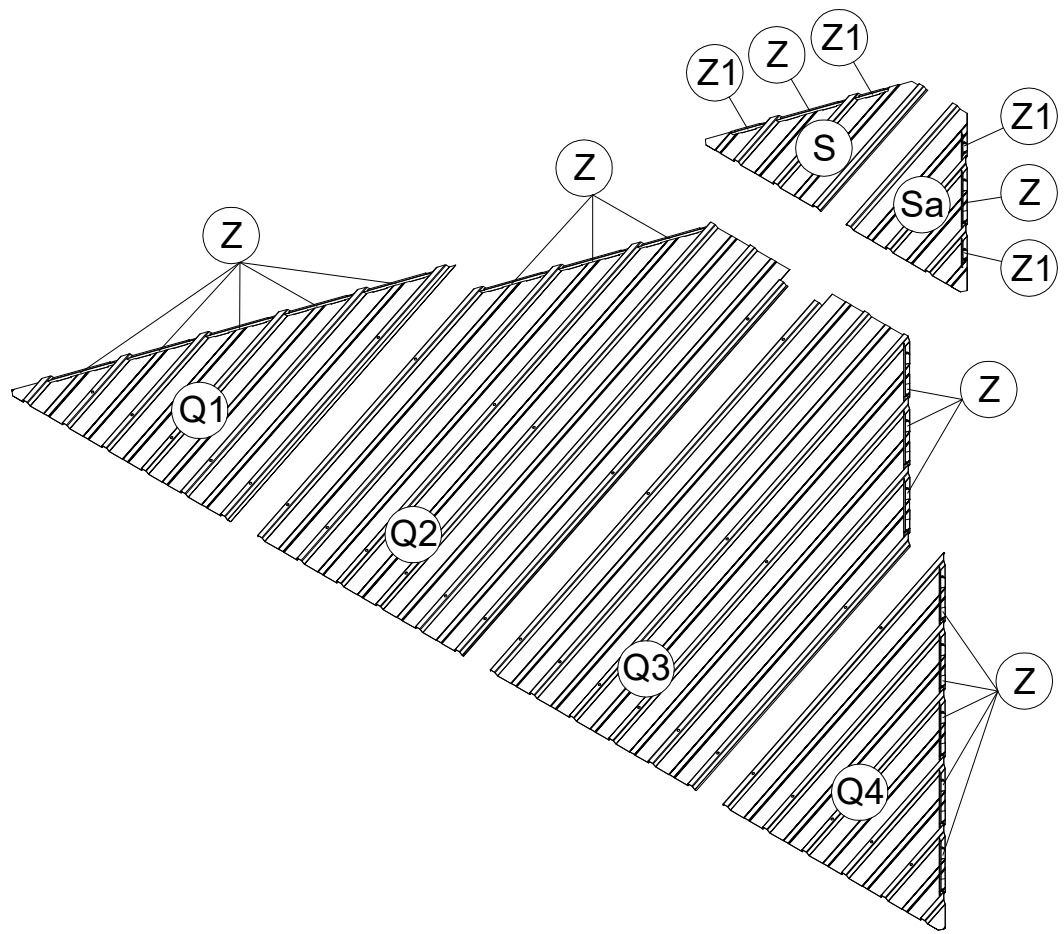
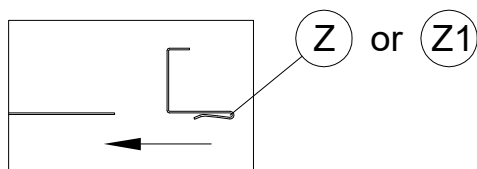
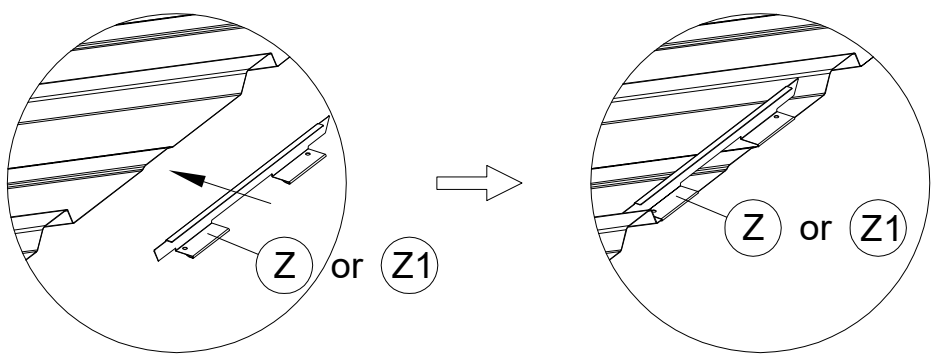


Z 36x

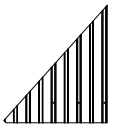


Z1 8x

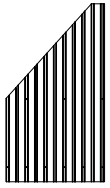
16



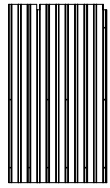
<13>



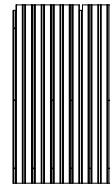
R1 2x



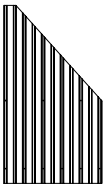
R2 2x



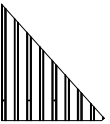
R3 2x



R4 2x



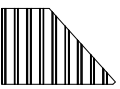
R5 2x



R6 2x

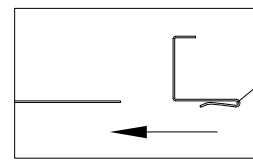
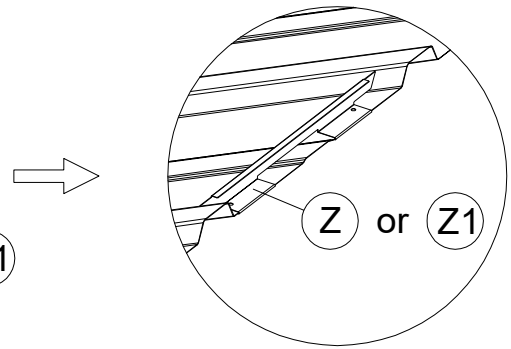
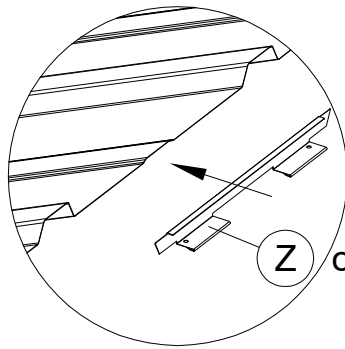


S1 2x

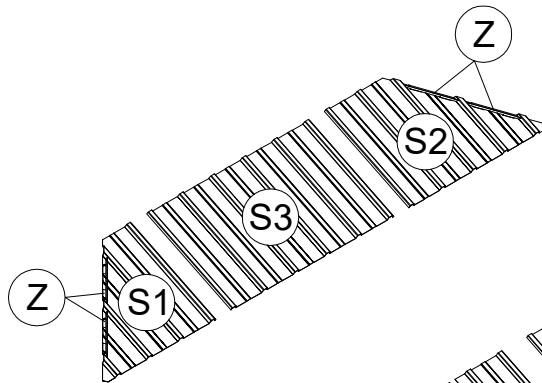


S2 2x

17



Z or Z1



Z

S1

S3

S2

Z

Z

R3

R4

R5

R6

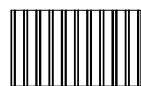
Z1

Z

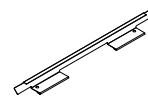
R1

R2

Z1



S3 2x

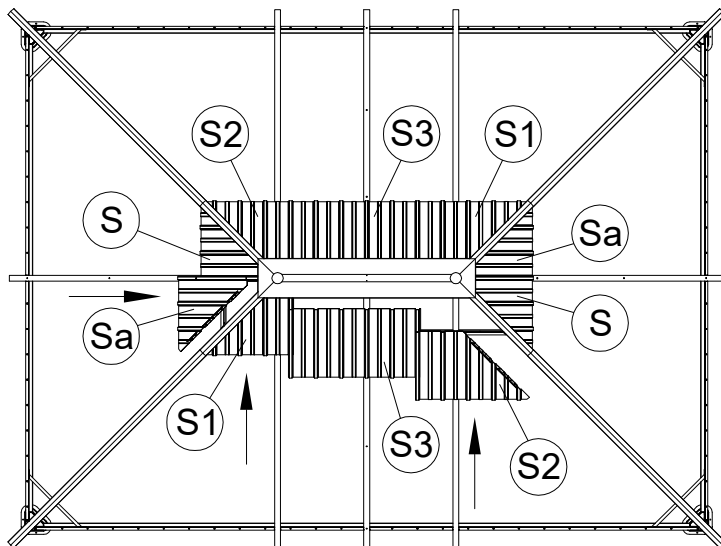
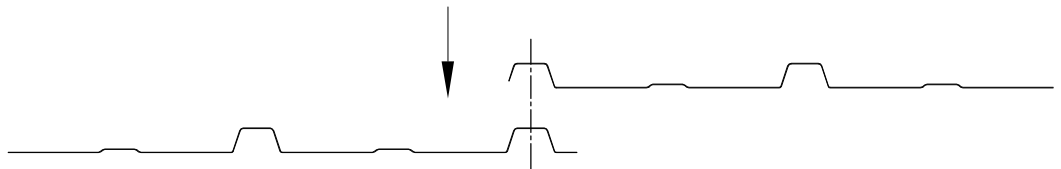
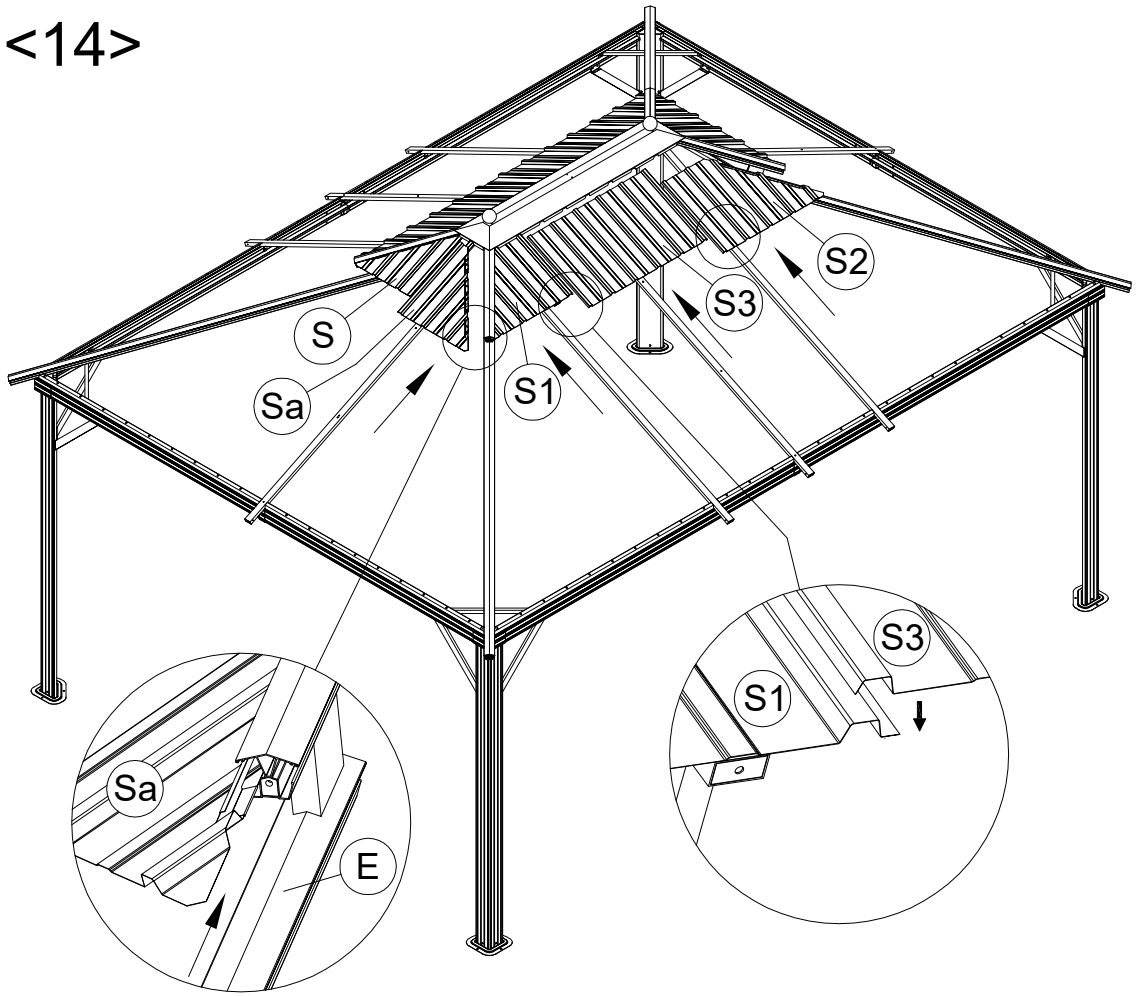


Z 36x



Z1 4x

<14>



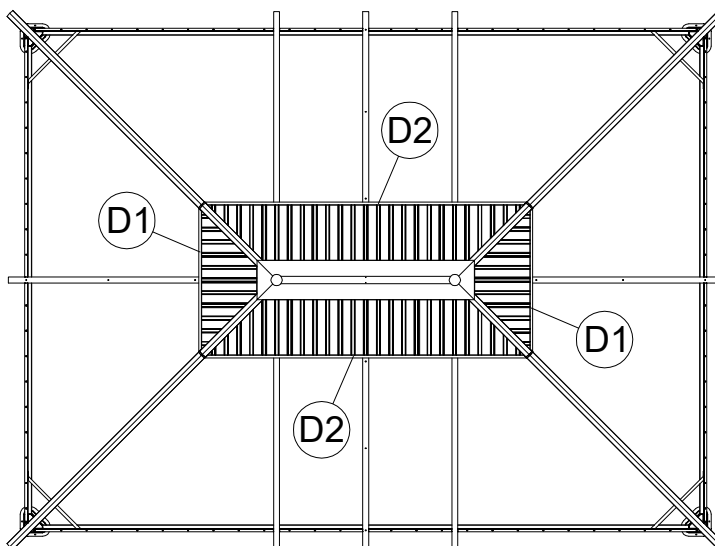
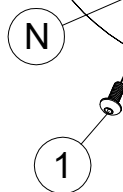
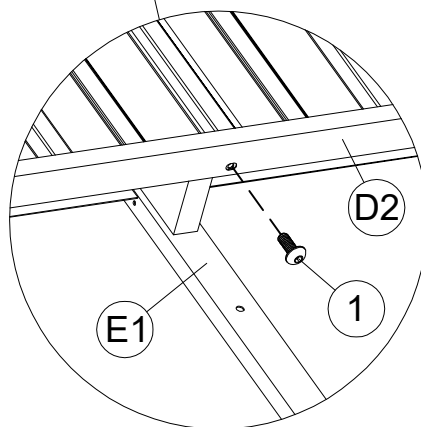
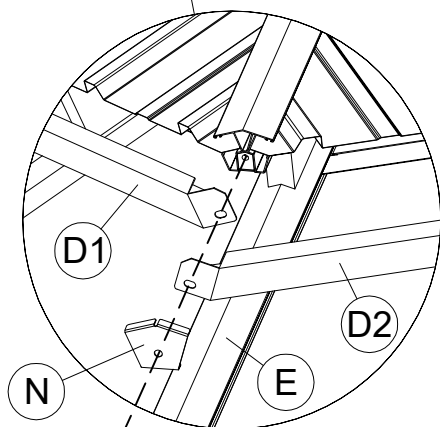
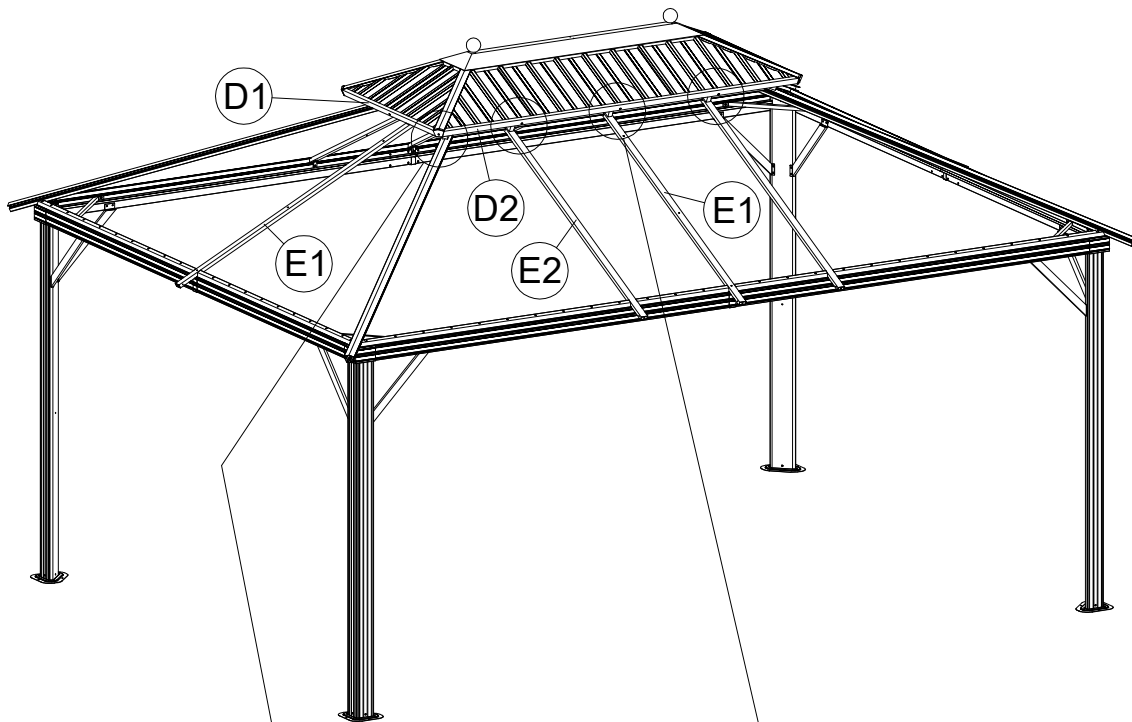
<15>

D1 2x

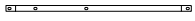
D2 2x

N 4x

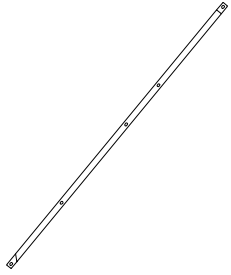
1 12x M6x15



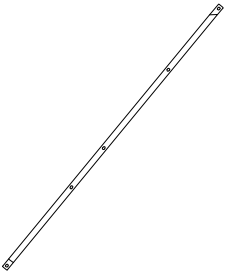
<16>



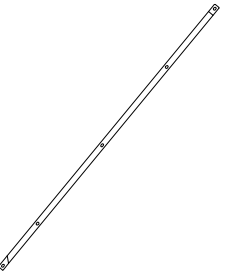
F 4x



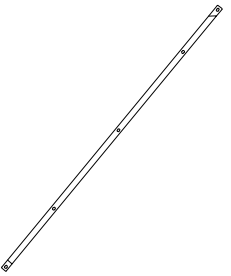
F1 2x



F2 2x



F3 2x

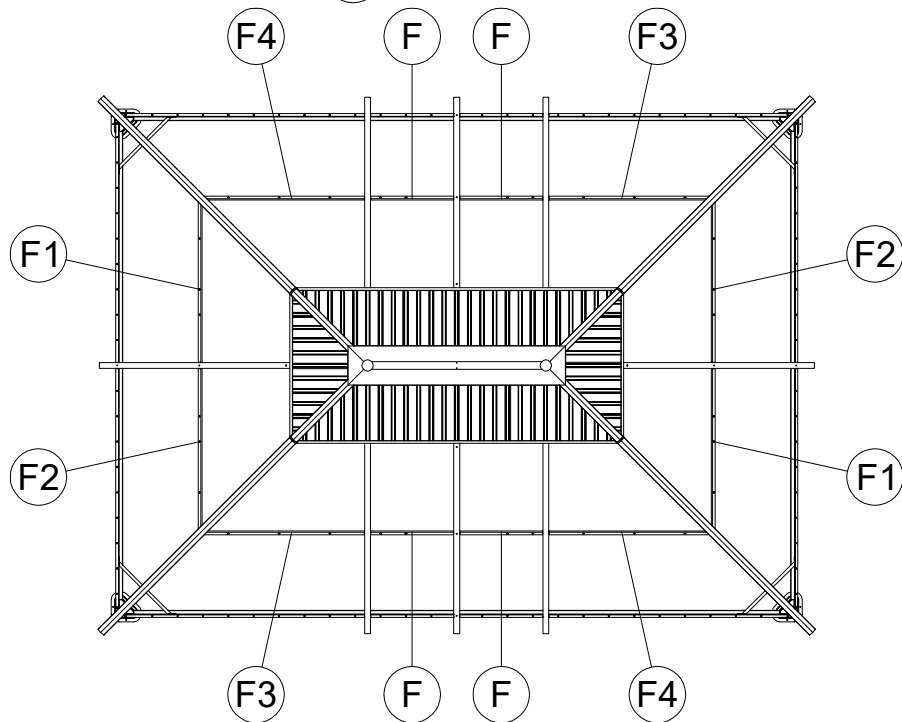
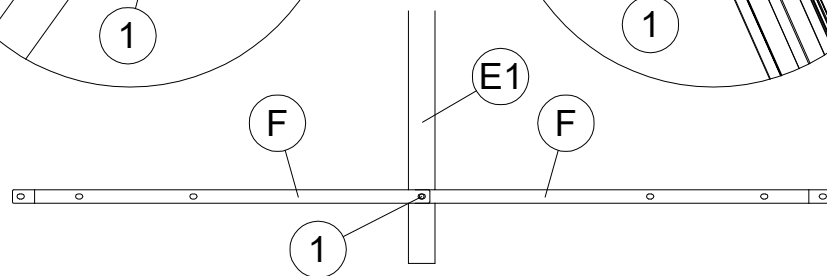
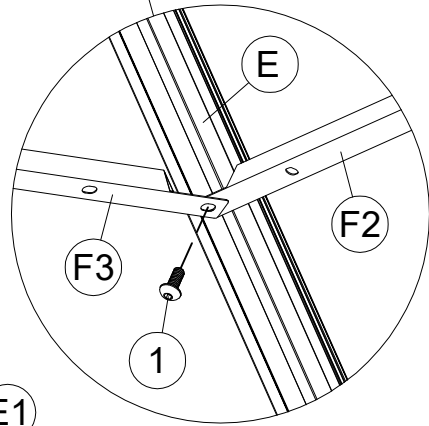
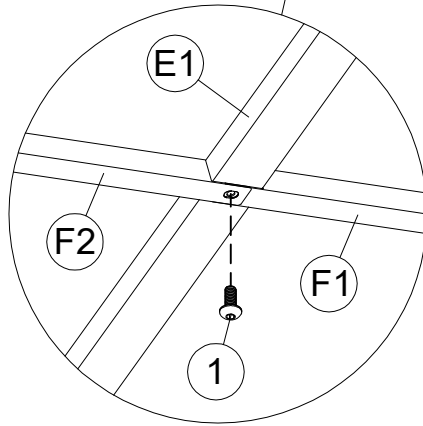
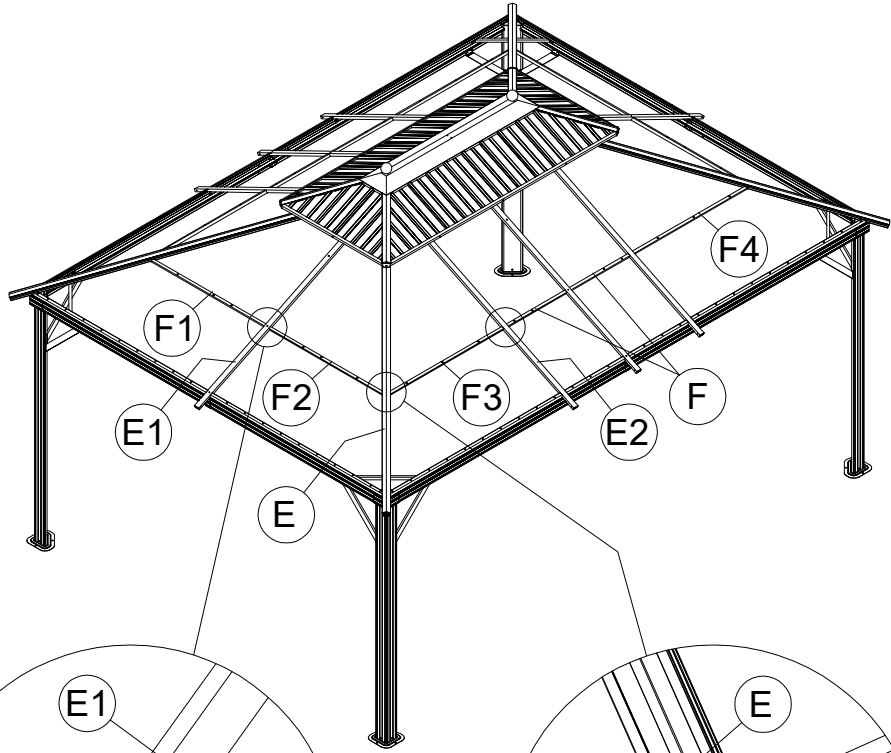


F4 2x

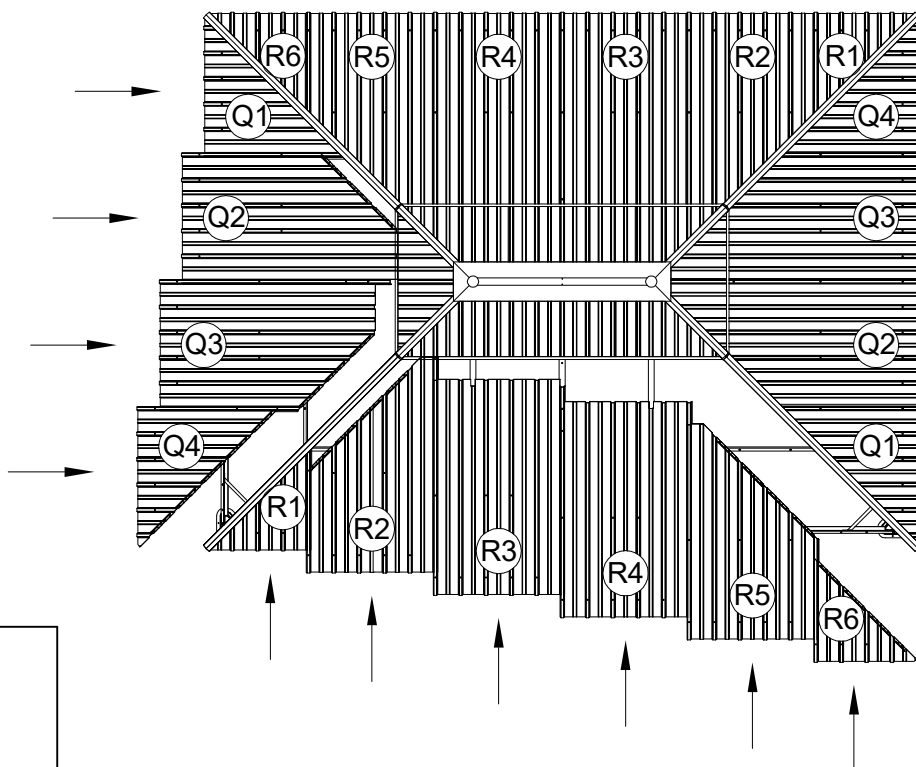
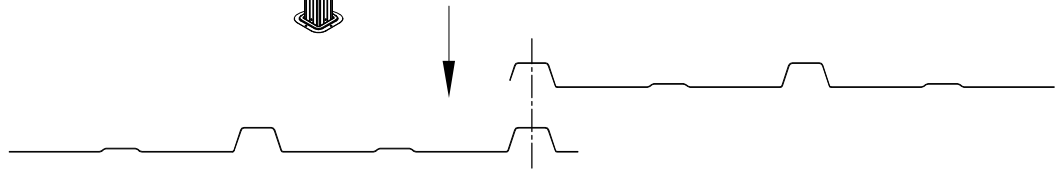
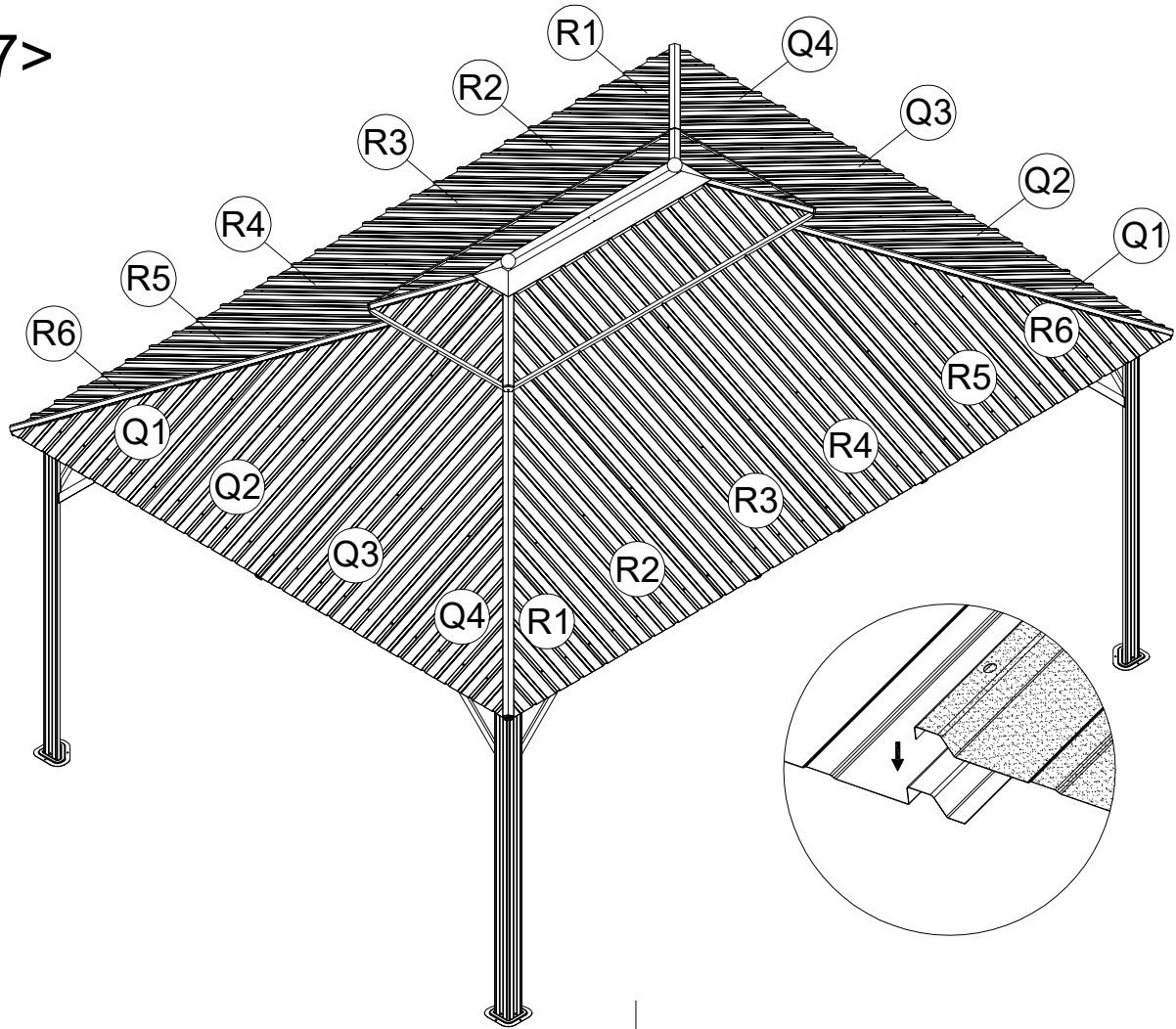


1 12x M6x15

20

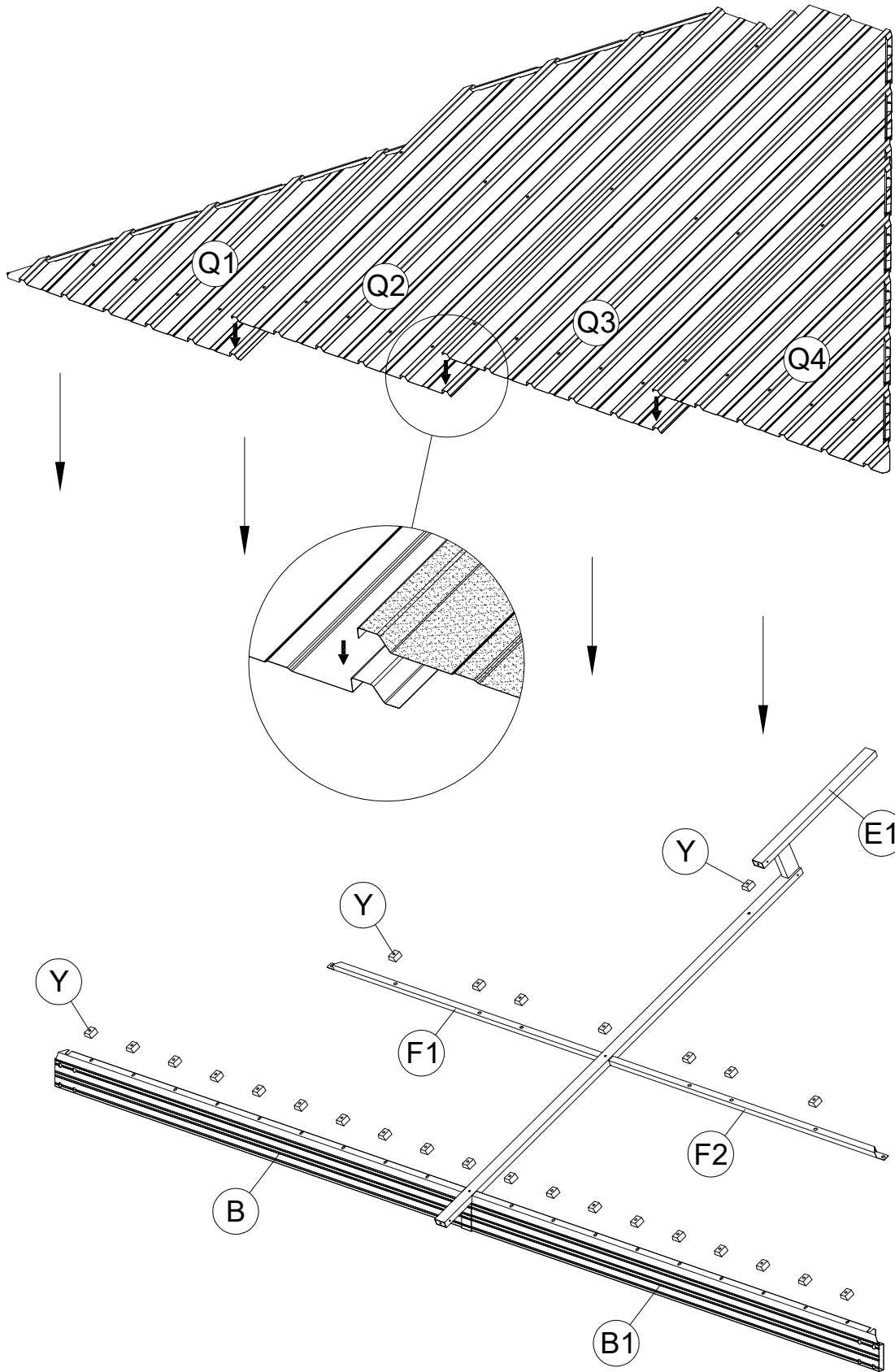


<17>

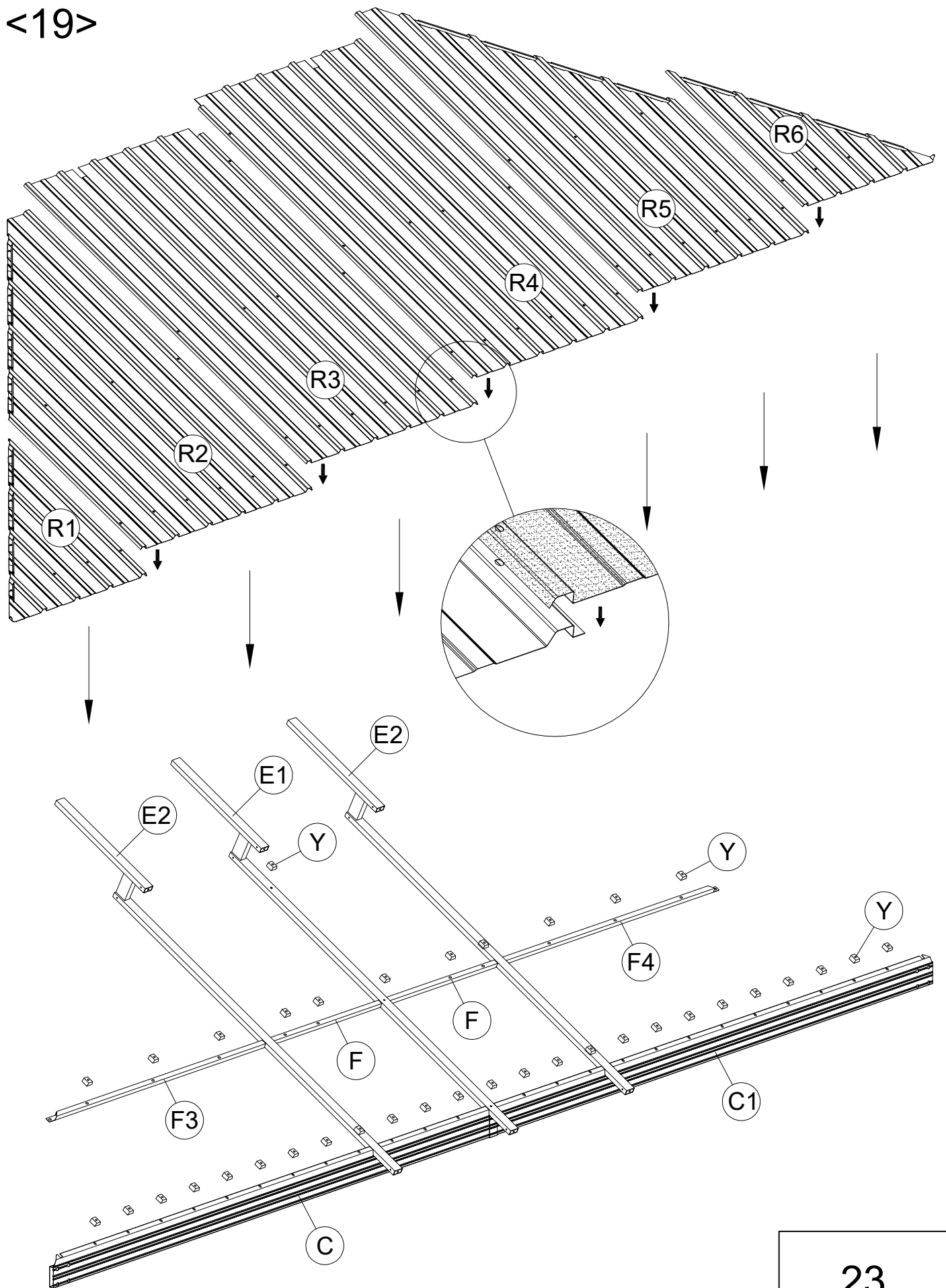


21

<18>



<19>





<20>

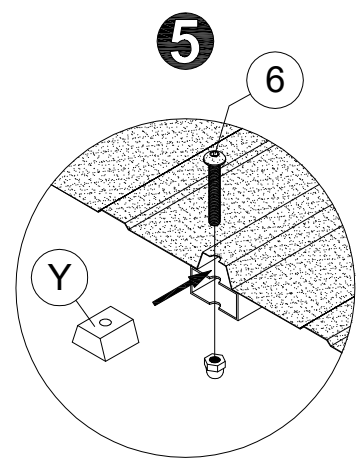
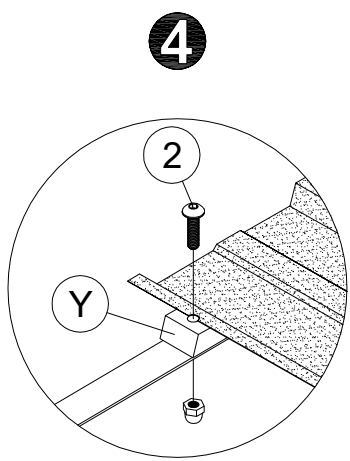
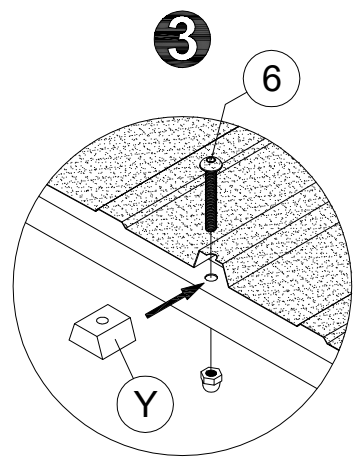
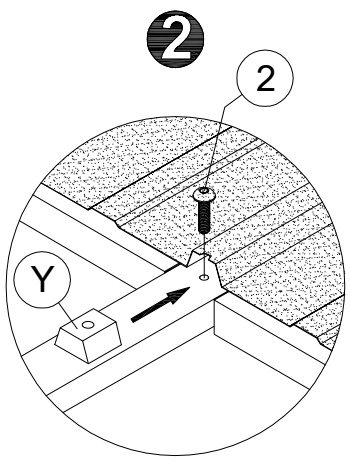
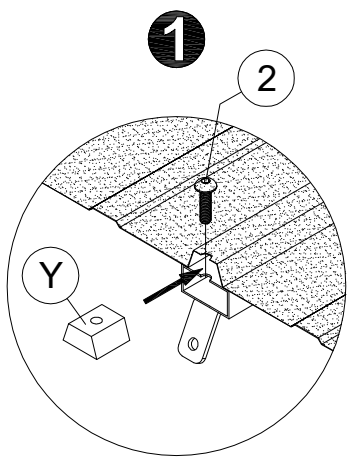
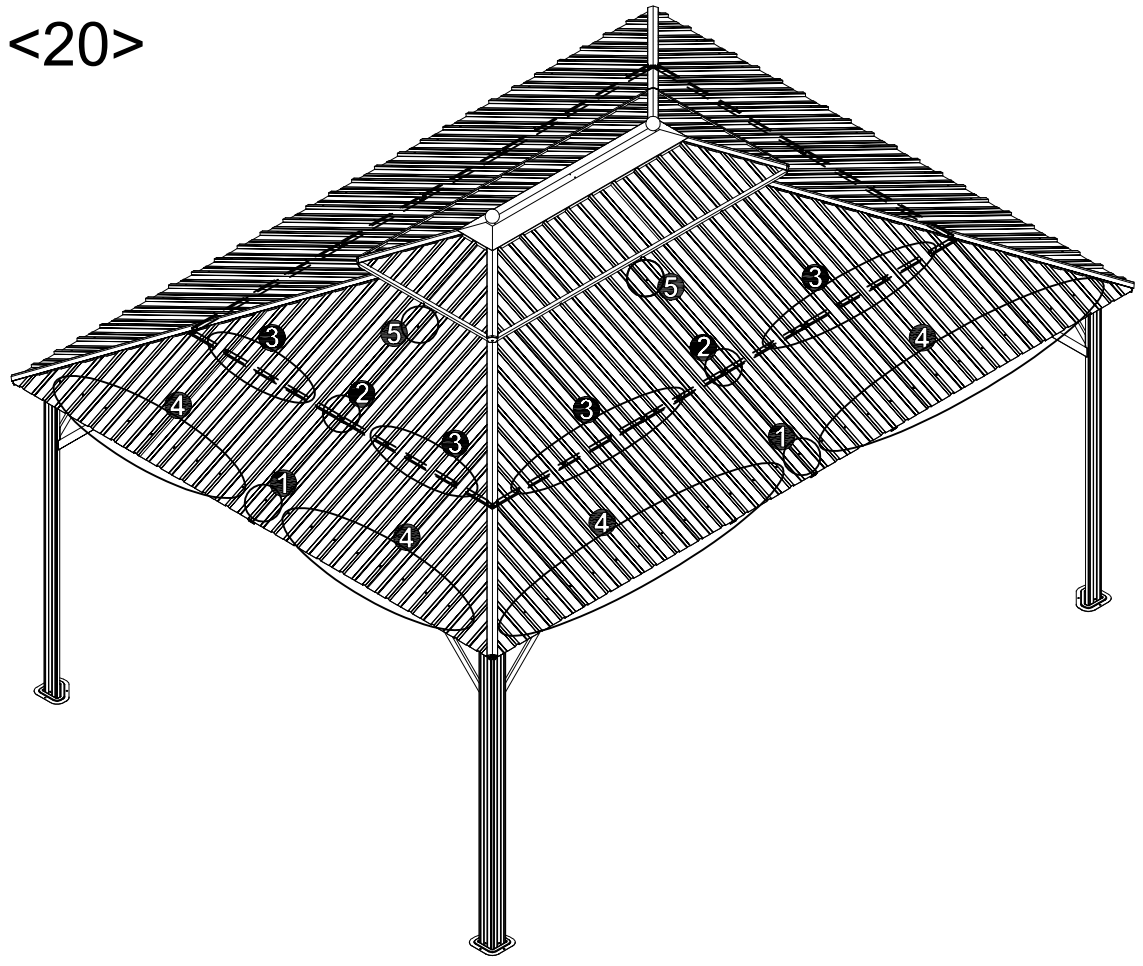
Y 128x

1 8x
2 84x

M6x23
2 8x + 84x

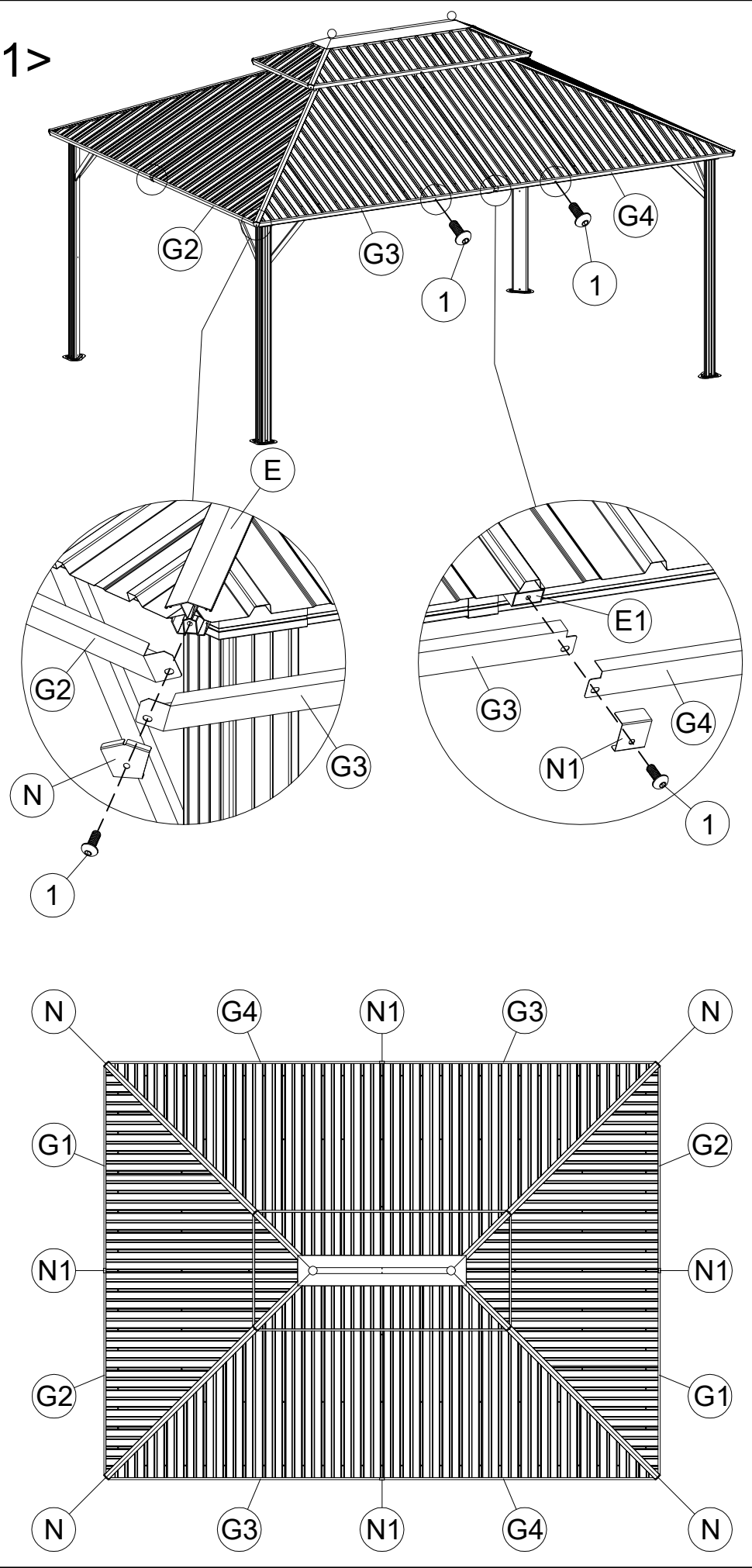


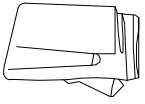
M6x42
6 36x



<21>

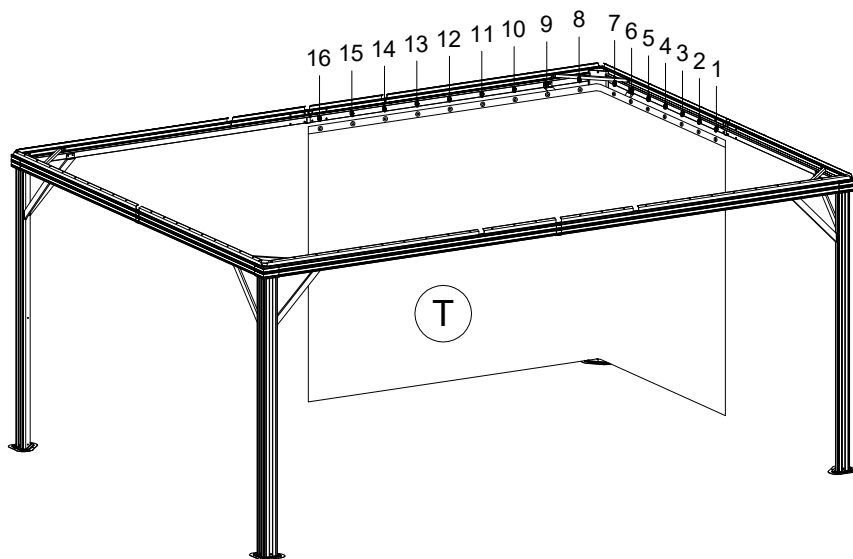
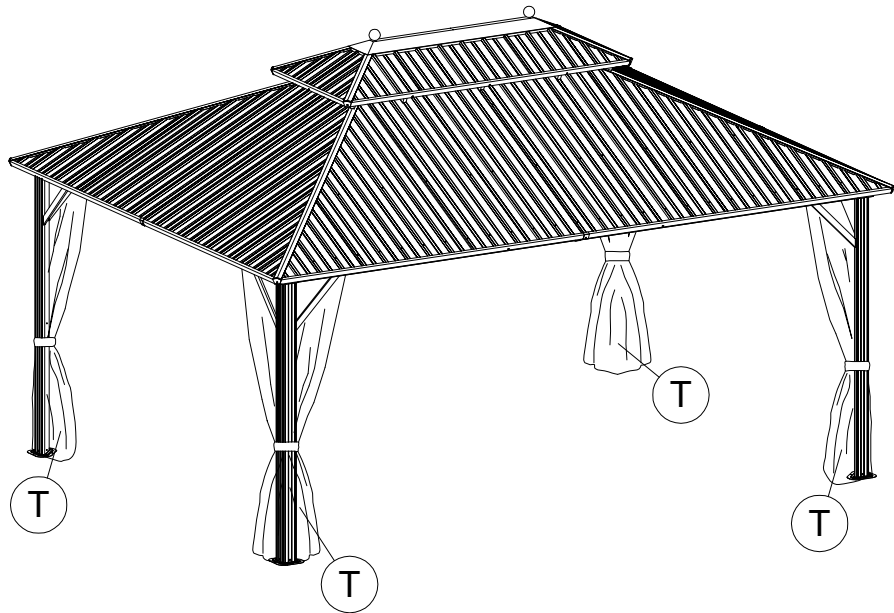
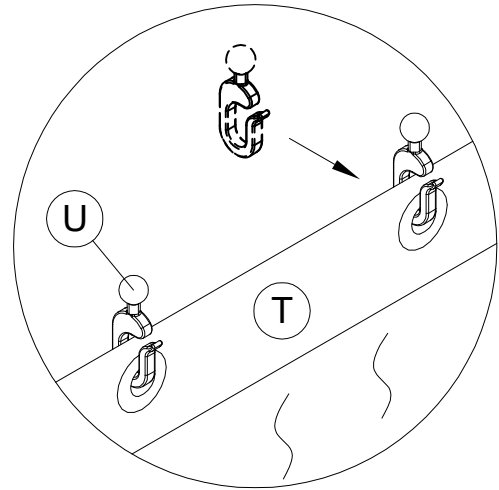
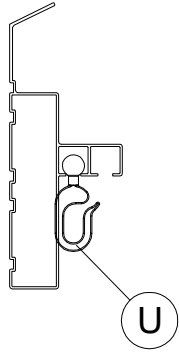
- G1 2x
- G2 2x
- G3 2x
- G4 2x
- N 4x
- N1 4x
- 1 12x M6x15
- 25

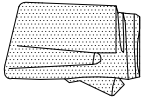




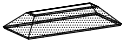
<22>

T 4x



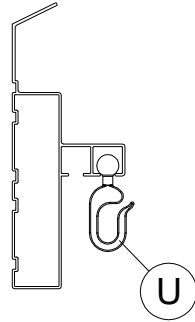


+

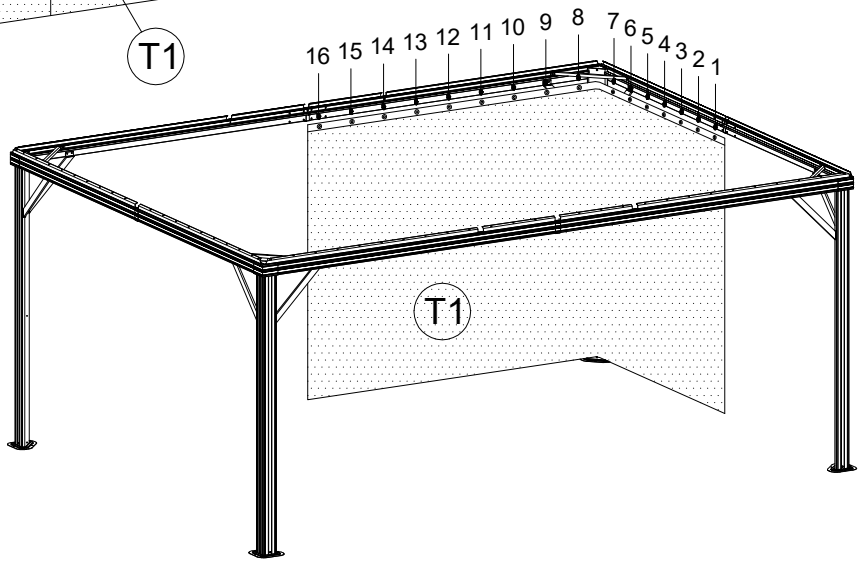
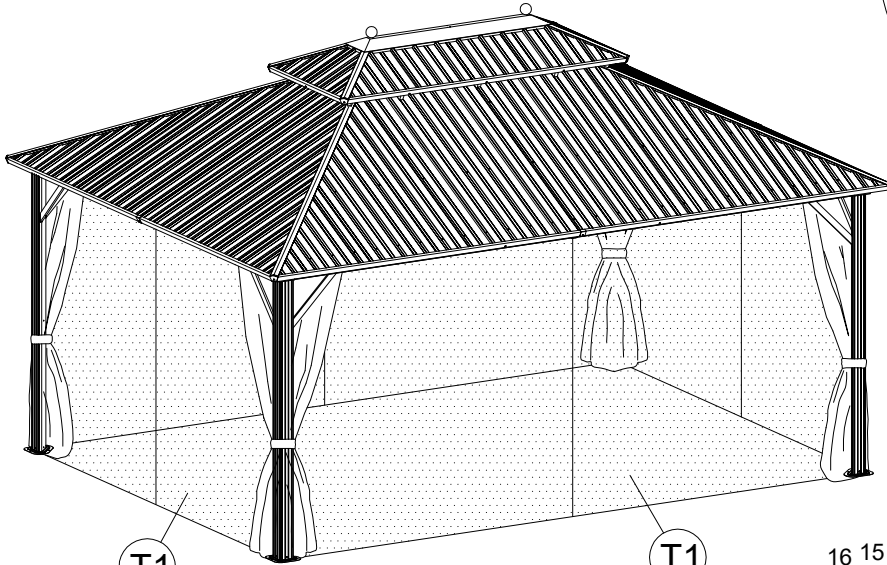
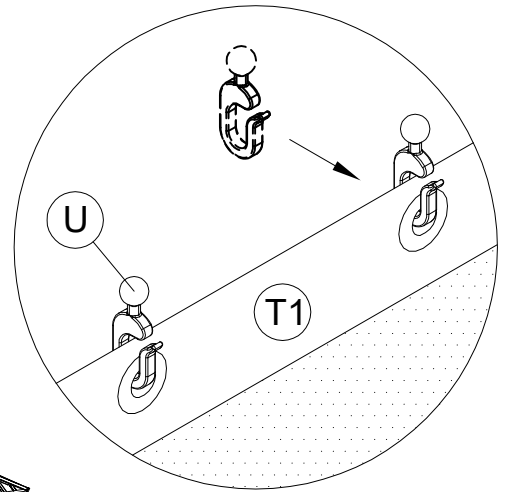


T1 4x + 1x

<23>



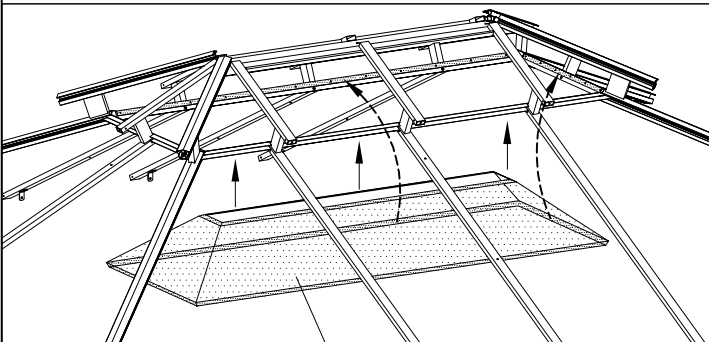
3



1

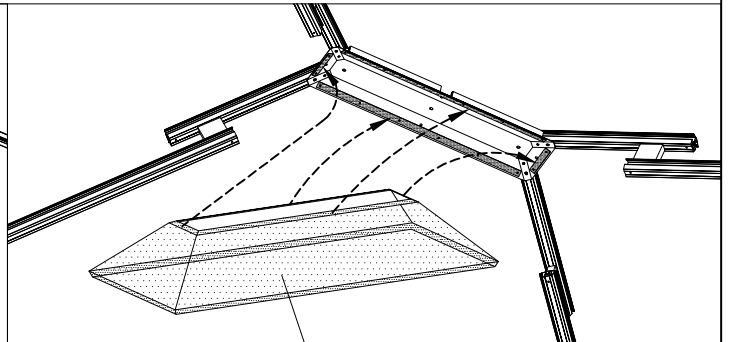


2



27

T1

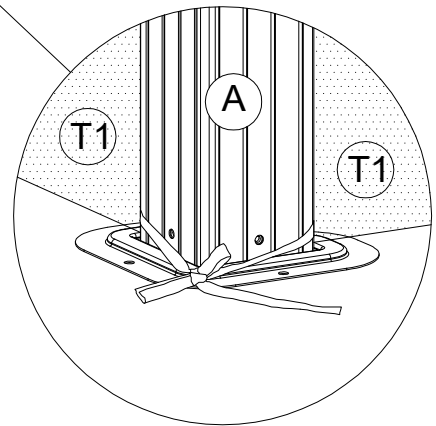
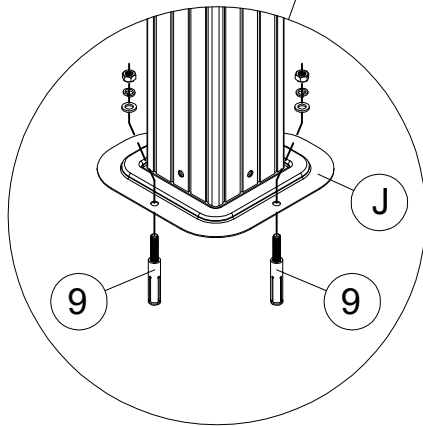
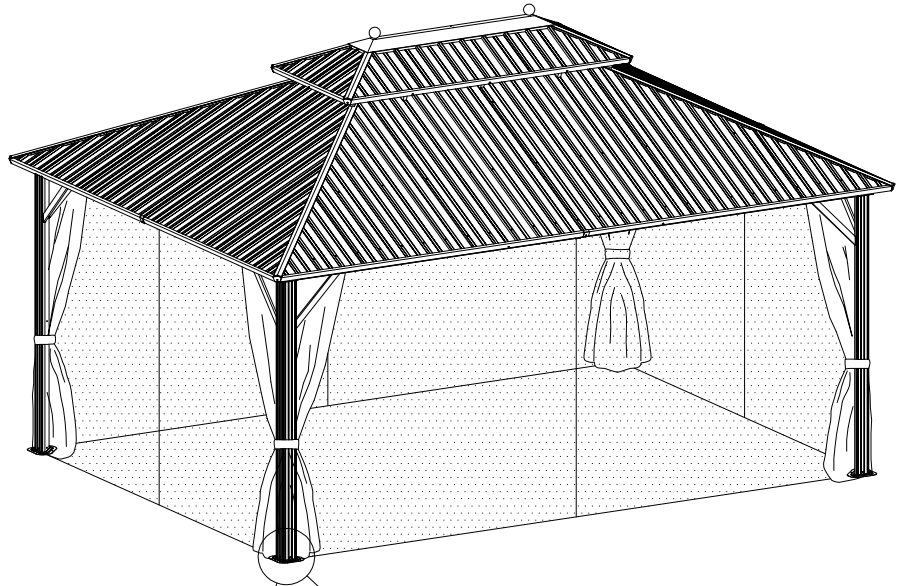


T1



<24>

9 12x



Carton-1/5		Carton-3/5		Carton-4/5	
Part	Qty	Part	Qty	Part	Qty
A	4	E	4	Q2	2
T	4	E1	4	Q3	2
		E2	4	R2	2
		F	4	R3	2
		G1	2	R4	2
		G2	2	R5	2
		G3	2		
		G4	2		
		G5	2		
		G6	2		
Carton-2/5		D1	2		
Part	Qty	D2	2		
B	2	H	4	Carton-5/5	
B1	2	H1	4	Part	Qty
C	2	H2	4	Q1	2
C1	2	J	4	Q4	2
F1	2	K	4	R1	2
F2	2	K1	4	R6	2
F3	2	P	4	S	2
F4	2	Y	128	Sa	2
L	1	Z	72	S1	2
M	1	Z1	12	S2	2
T1	4 + 1	Za	2	S3	2
1.2.3.4.5.6	1	N.N1.U.V.9.10	1		