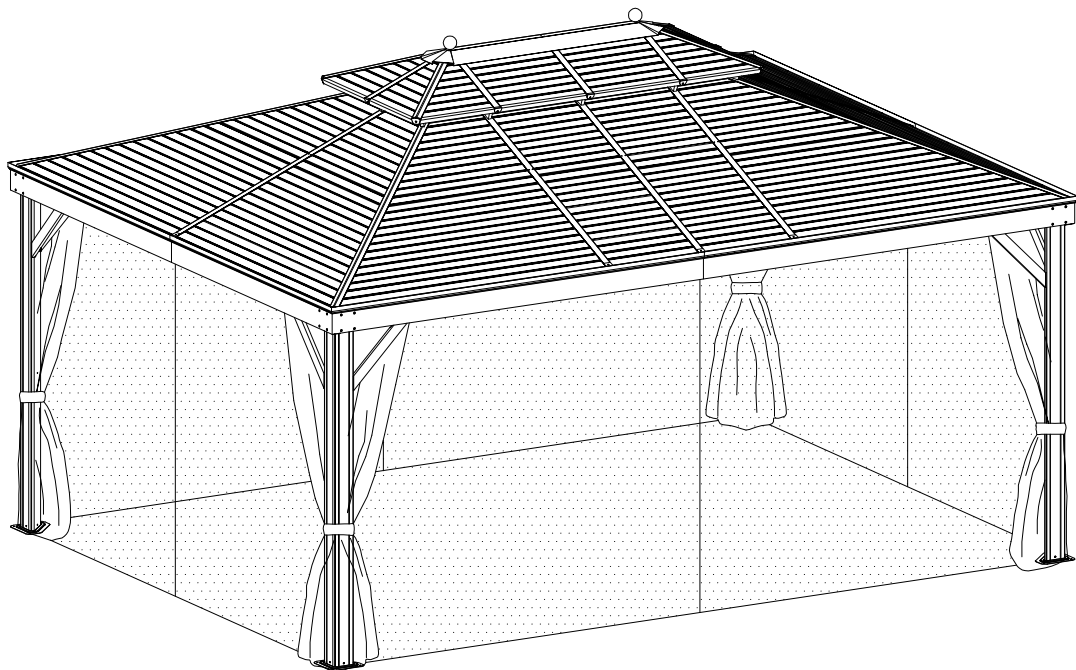
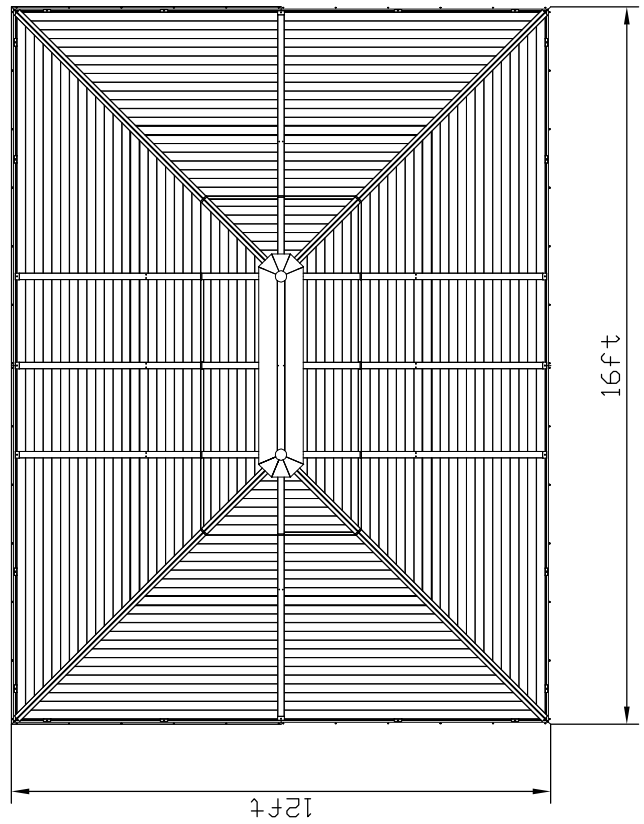
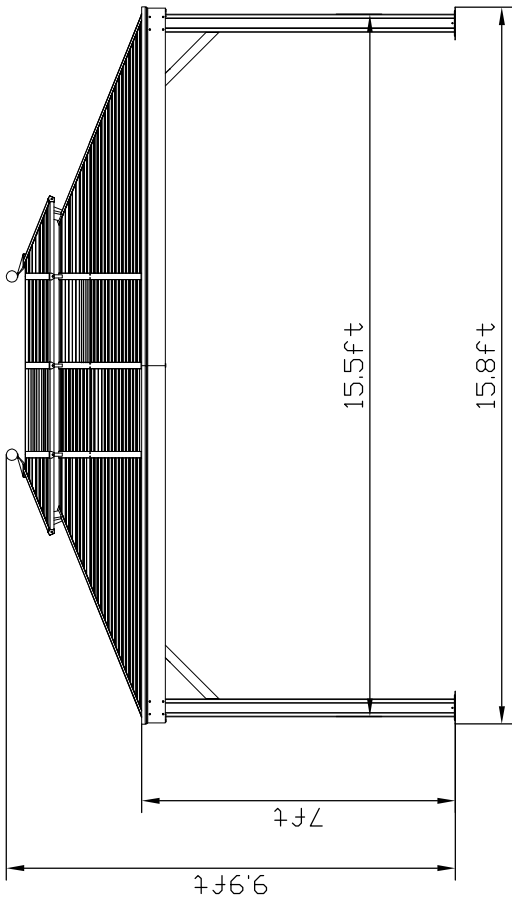
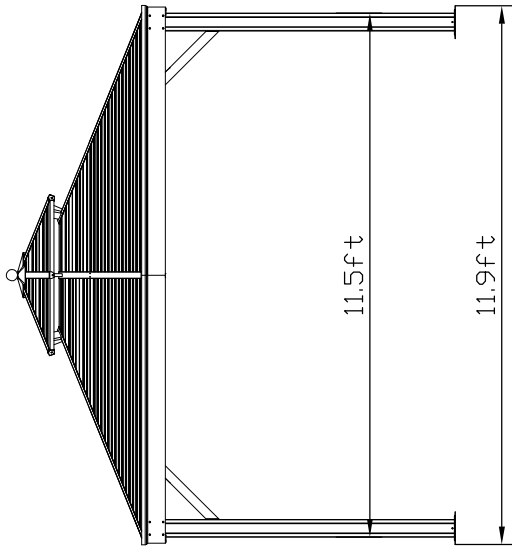


**3.65 x 4.85 M**


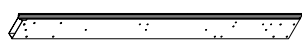
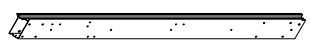
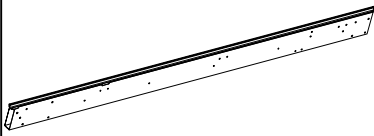
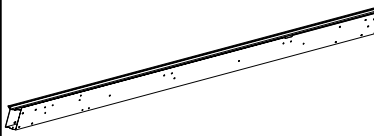










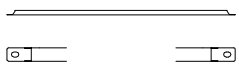




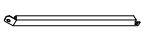
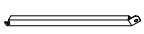
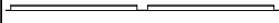


□ □ □ □ □ □ □ □ HWG - 058 □ □ □ □ □ □ □ □


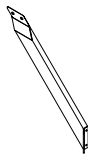

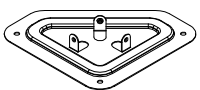
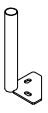
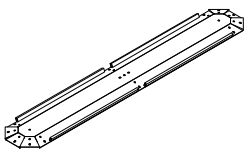
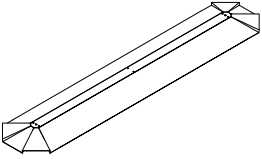


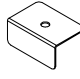
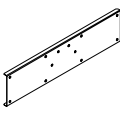
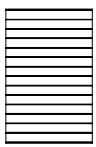
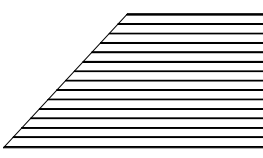
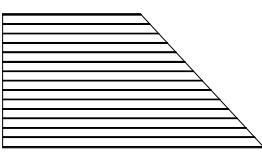
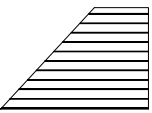
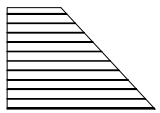
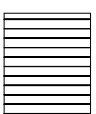
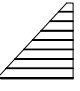
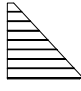

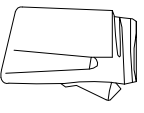
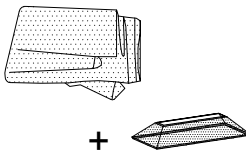

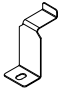

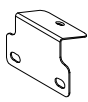
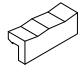
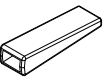
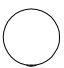

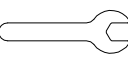



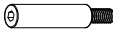






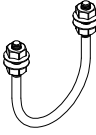



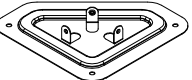

**ATTENTION:**

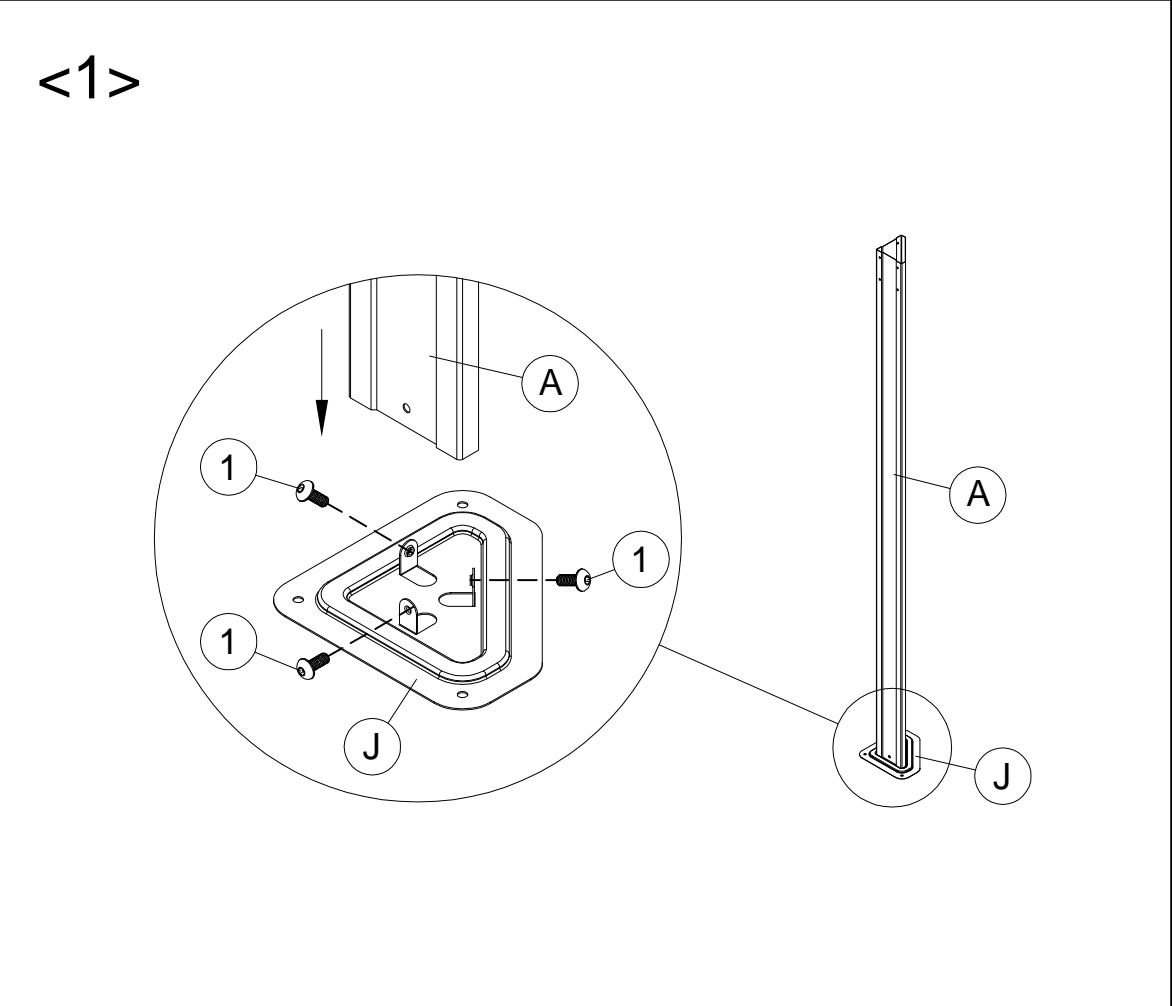
1. Please check the manual carefully and make sure you have received all the parts.
2. If there is any missing, please let us know the letter of the parts you need.
3. If there is any damage, please send clear photos to us, we will check and offer you best solution soon.

		
(A) 4x	(B) 2x	(B1) 2x
		
(B2) 2x	(B3) 2x	(C) 2x
		
(C1) 2x	(C2) 2x	(C3) 2x
		
(D) 2x	(D1) 2x	(D2) 2x
		
(D3) 2x	(E) 4x	(E1) 8x
		
(F) 8x	(F1) 4x	(F2) 4x
		
(F3) 4x	(F4) 4x	(G1) 4x
		
		(G2) 4x
		
(G) 2x	(G3) 2x	(G4) 2x

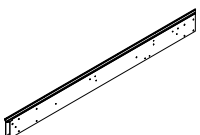
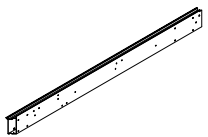
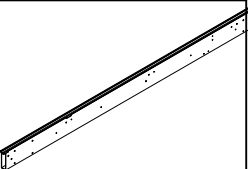
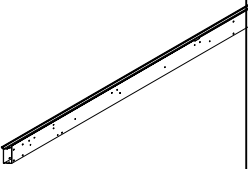
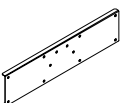


			
(H) 4x	(H1) 4x	(H2) 4x	(J) 4x
			
(K) 4x	(L) 1x	(M) 1x	(N) 8x
			
(N1) 8x	(N2) 8x	(P) 4x	(Q) 4x
			
(Q1) 4x	(Q2) 4x	(R1) 4x	(R2) 4x
			
(R) 4x	(S1) 4x	(S2) 4x	(S) 4x
			
(T) 4x	(T1) 4x + 1x	(U) 128x	(V) 4x
			
(W) 16x	(W1) 16x	(Y) 48x	(Y1) 16x
	 1x		
(Za) 2x	 1x		

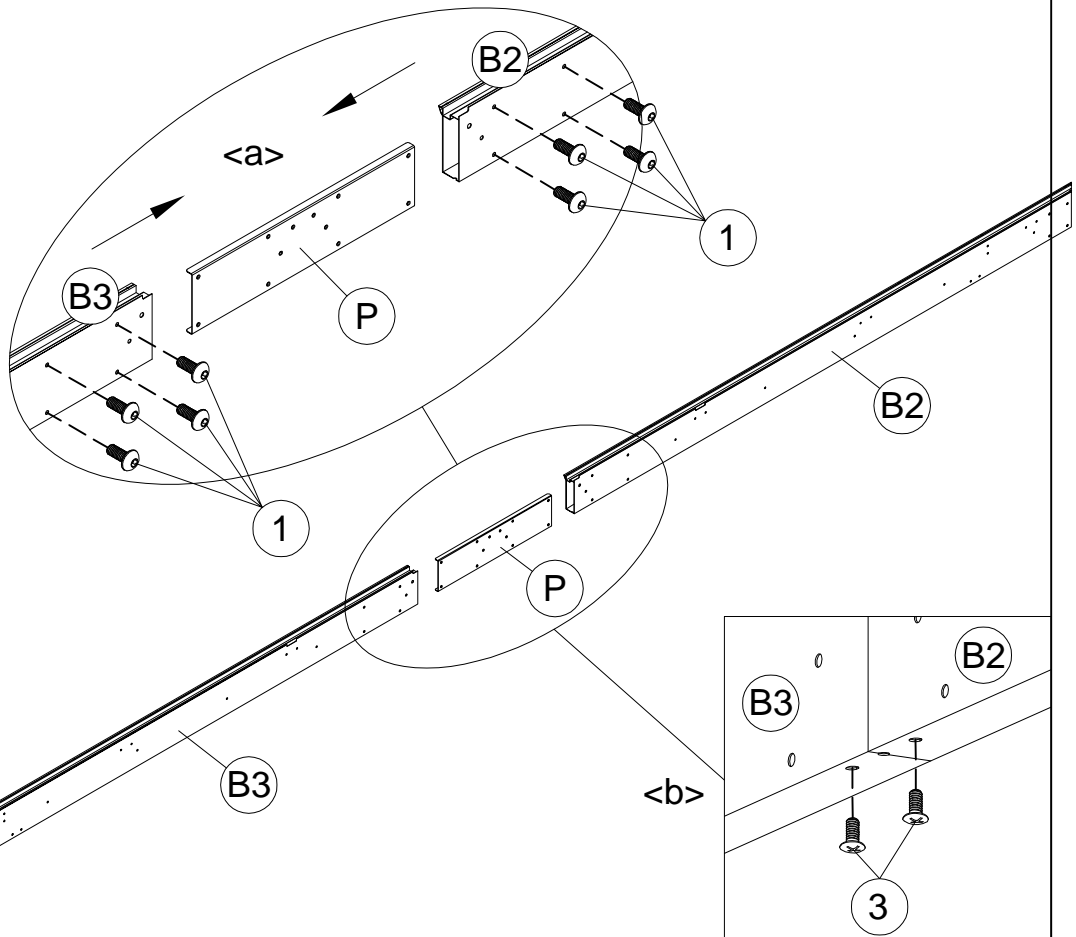
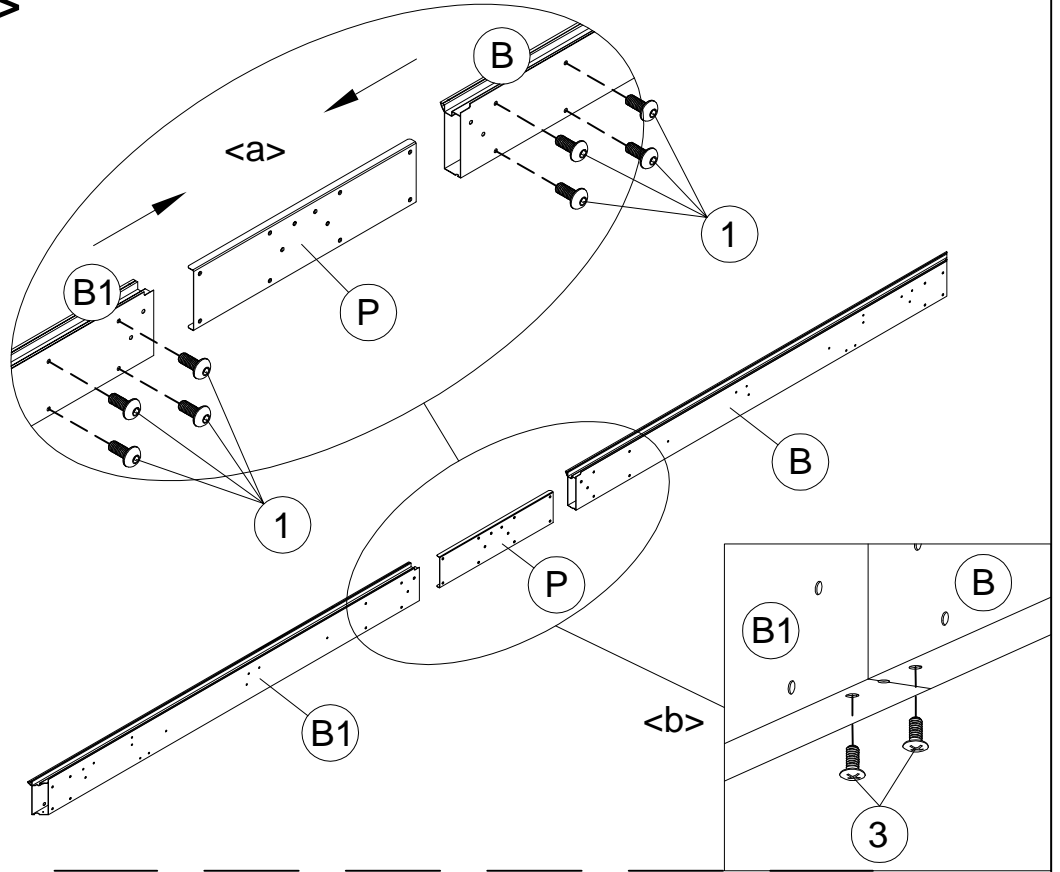
 M6x15 ① 263x	 ② 32x	 M5x12 ③ 12x	 ST4.8x12 ④ 16x
 ⑤ 2x	 M5x6 ⑥ 16x	 ST4x8 ⑦ 76x	 ⑨ 12x
 ⑩ 1x			

 A 4x
 J 4x
 ① 12x M6x15
4



<2>

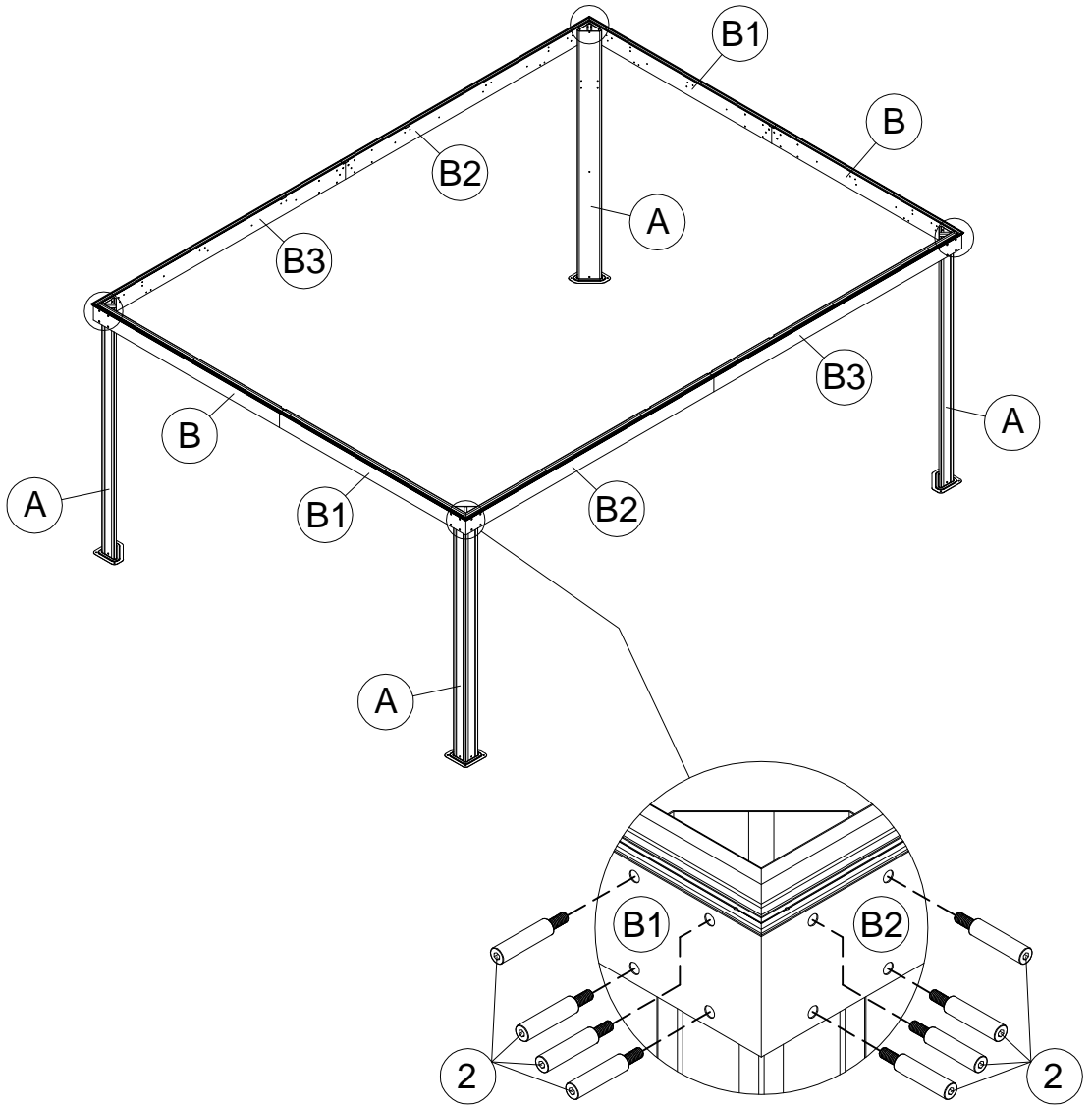
-  **B** 2x
-  **B1** 2x
-  **B2** 2x
-  **B3** 2x
-  **P** 4x
-  **1** 32x M6x15
-  **3** 8x M5x12
- 5**





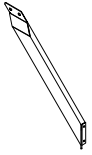
<3>

2 32x

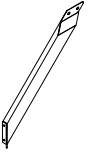


6

<4>



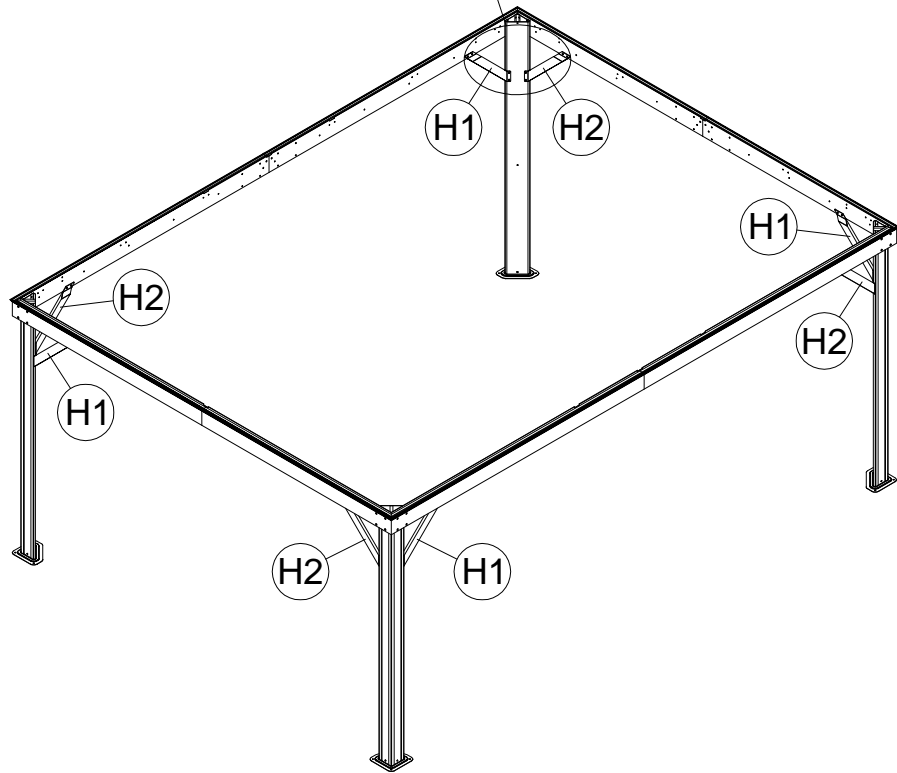
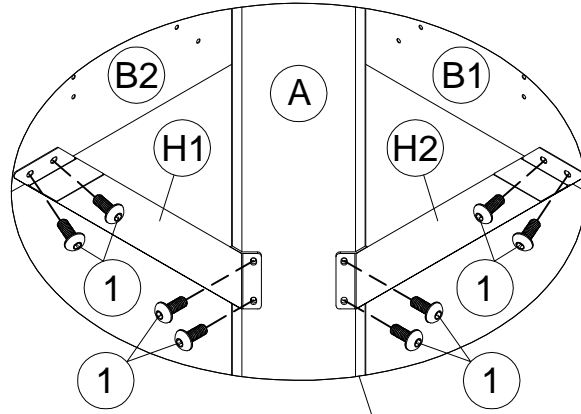
H1 4x



H2 4x



1 32x M6x15







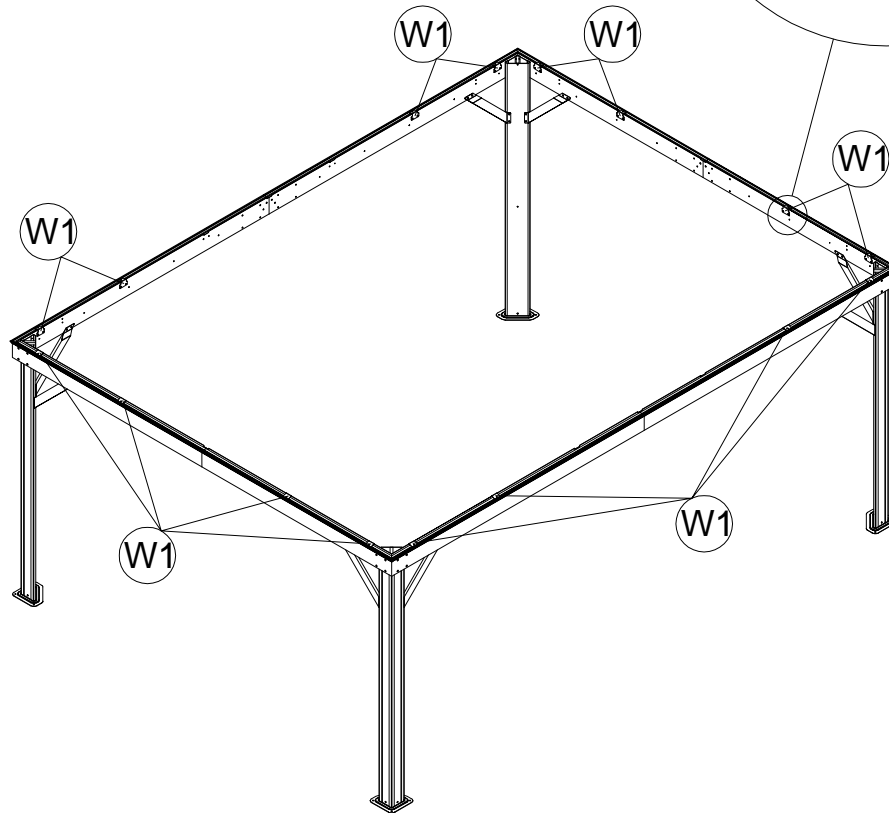
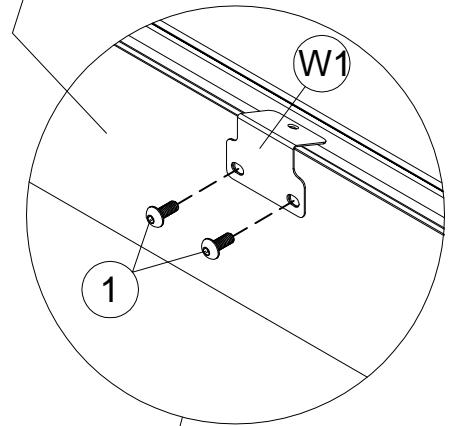
<5>

W1 16x



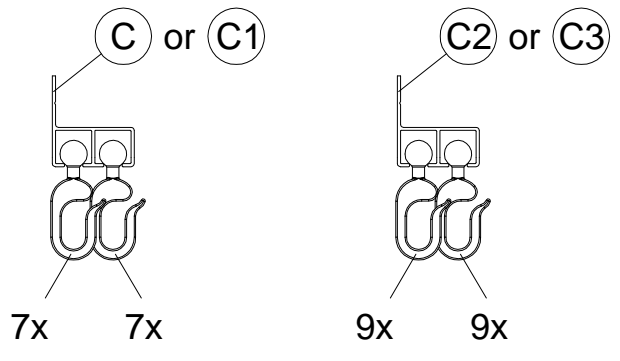
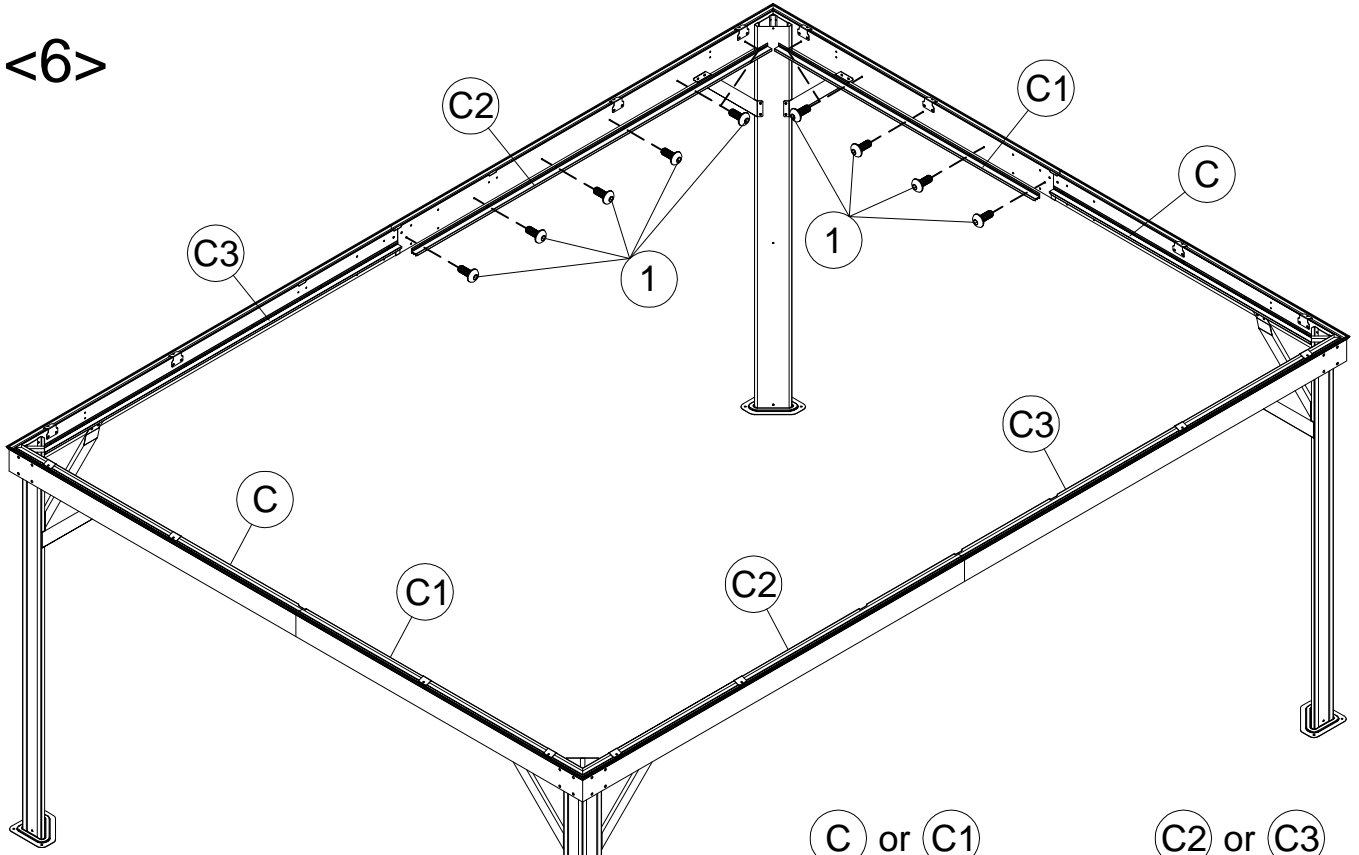
1 M6x15  
32x


B or B1 or B2 or B3





8


<6>



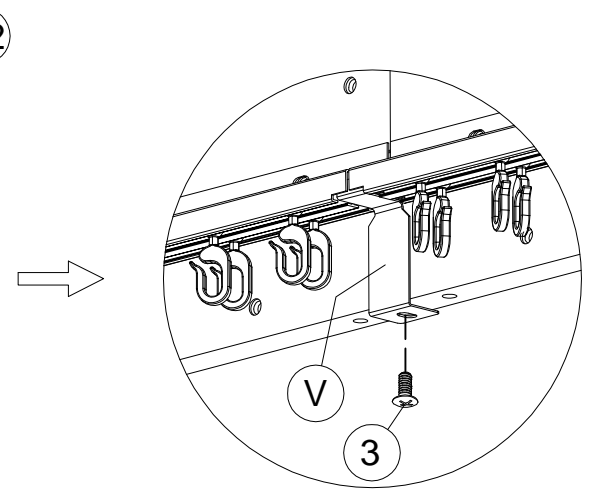
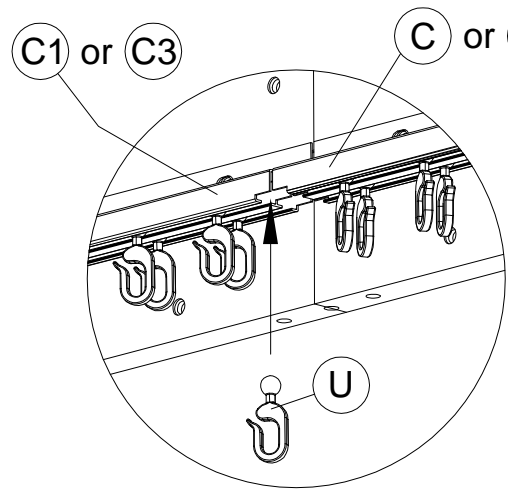
  
U 128x

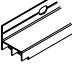
  
1 44x M6x15


  
V 4x

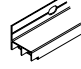
  
3 4x M5x12

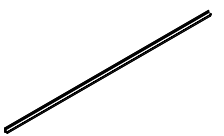
9



  
C 2x

  
C1 2x

  
C2 2x

  
C3 2x

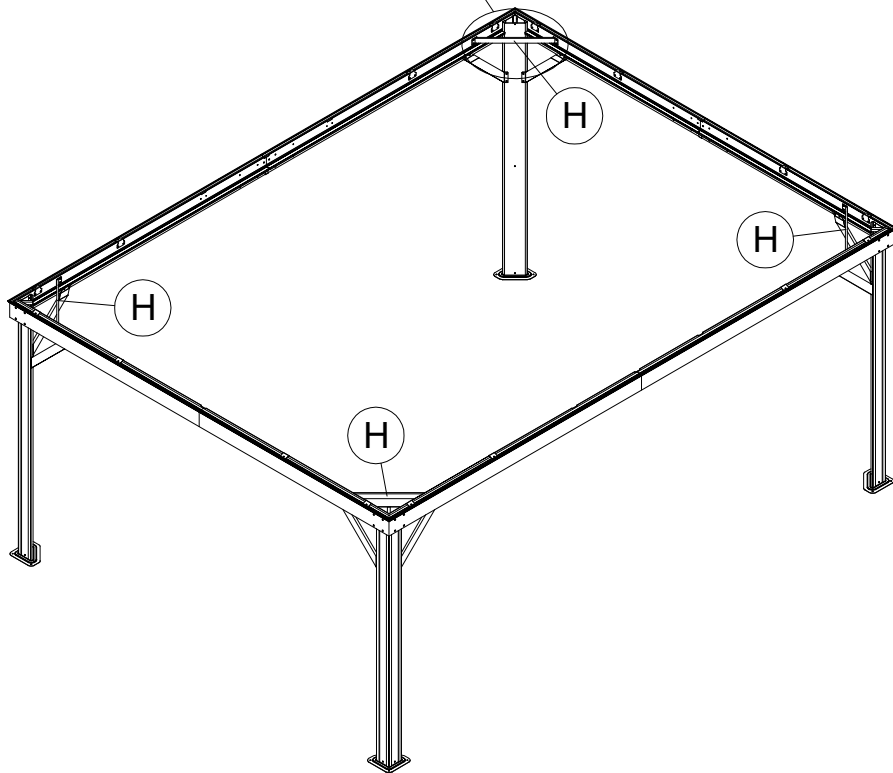
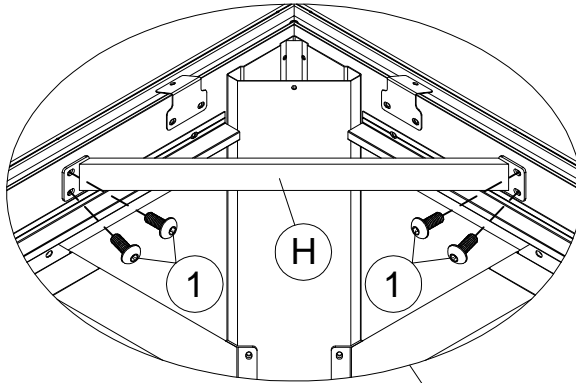


<7>

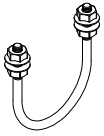
H 4x



M6x15  
1 16x

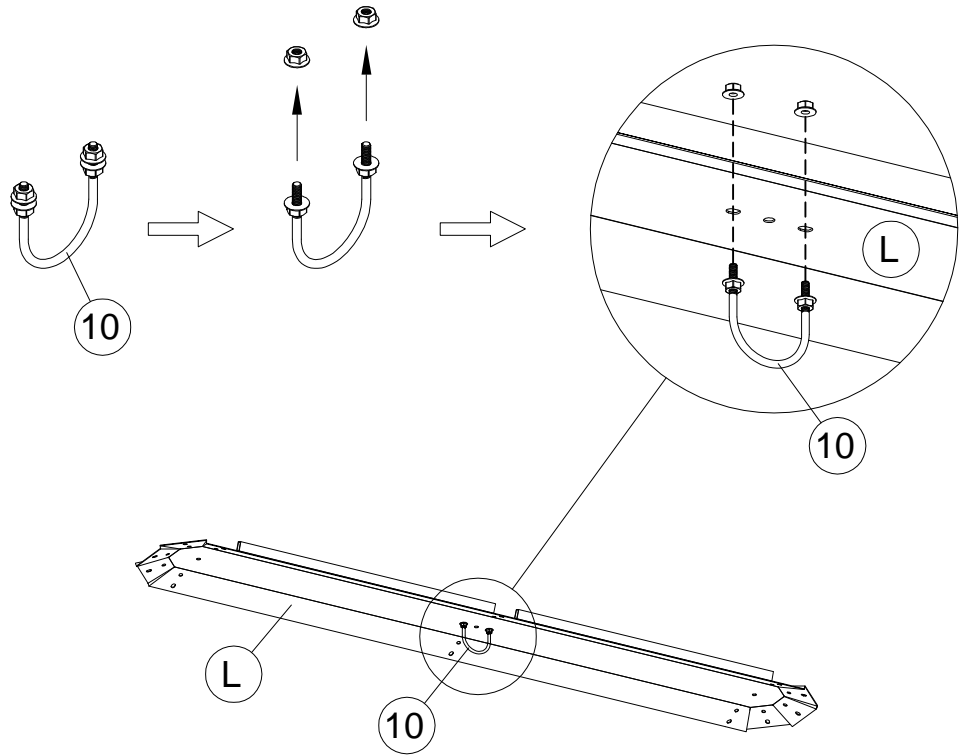


10

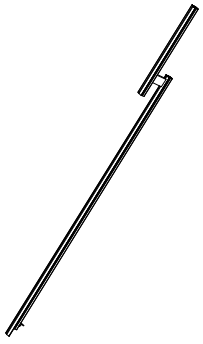


<8>

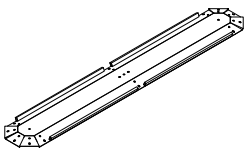
10 1x



<9>



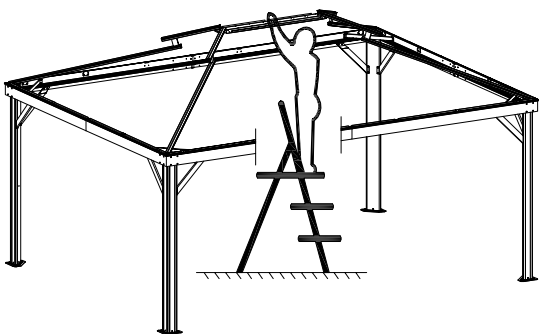
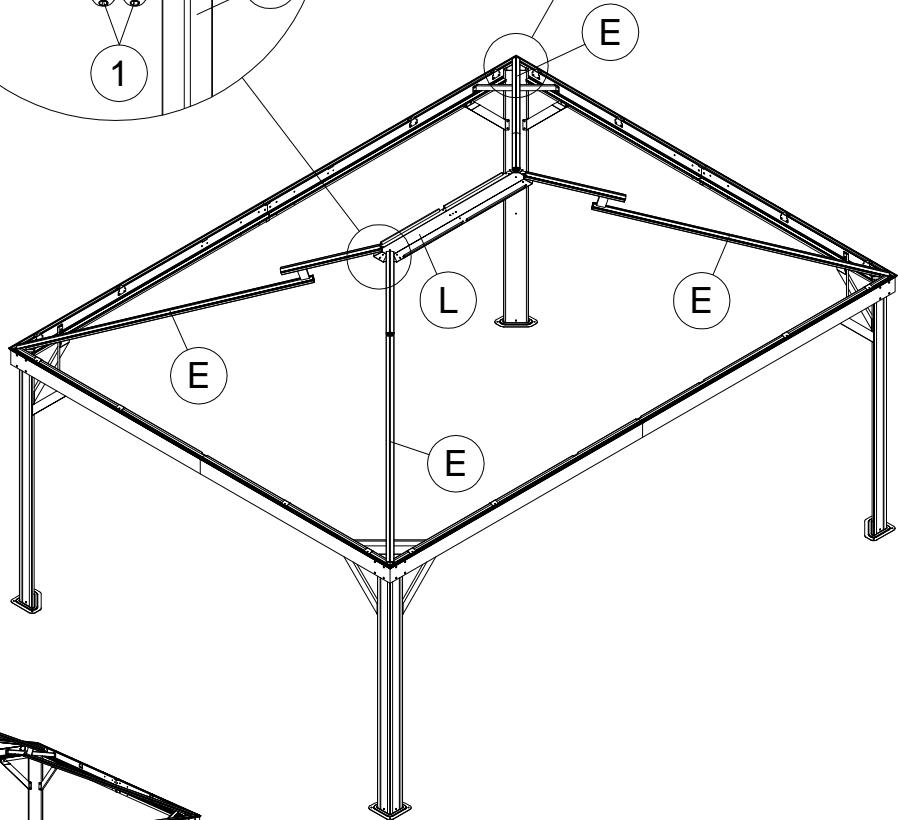
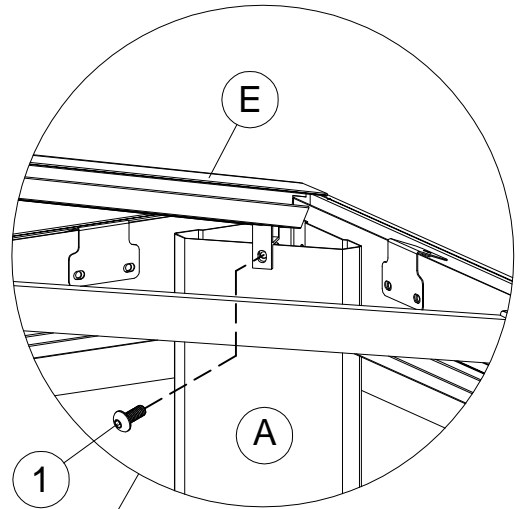
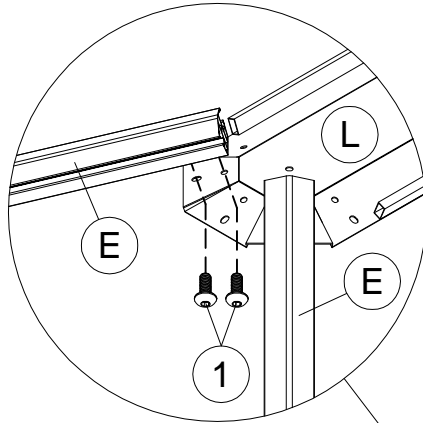
E 4x



L 1x



1 12x  
M6x15

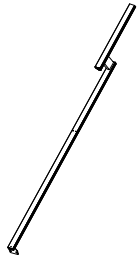


Note:

1. Let one person stand on the ladder to lift " L " and hold, and let others fasten the screws connecting both ends of " E " .

2. Please do not let go of holding " L " until all the " E " screws are installed.

12

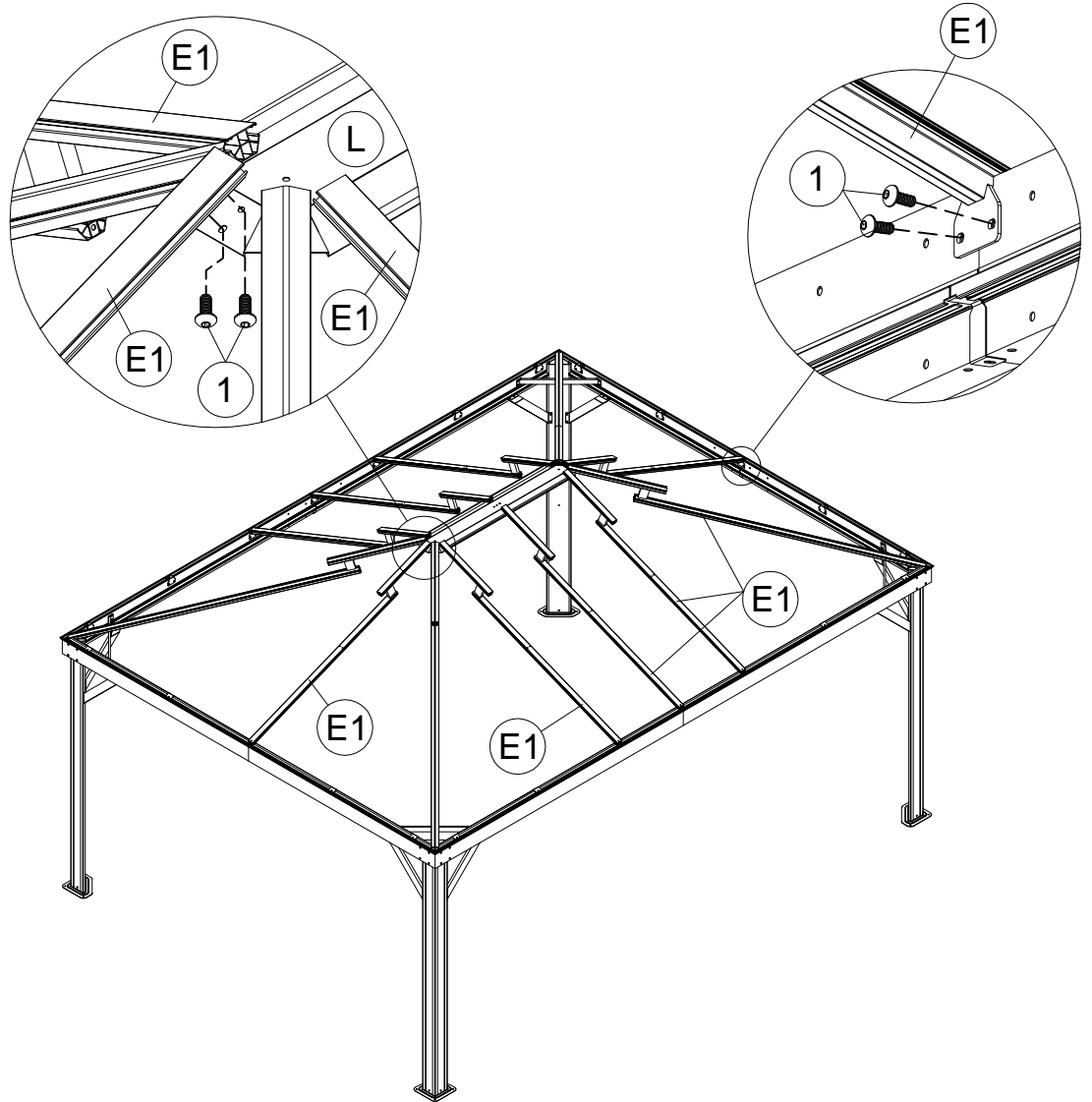


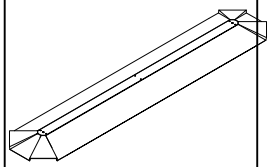
<10>

E1 8x



M6x15  
1 32x





(M) 1x



(Za) 2x

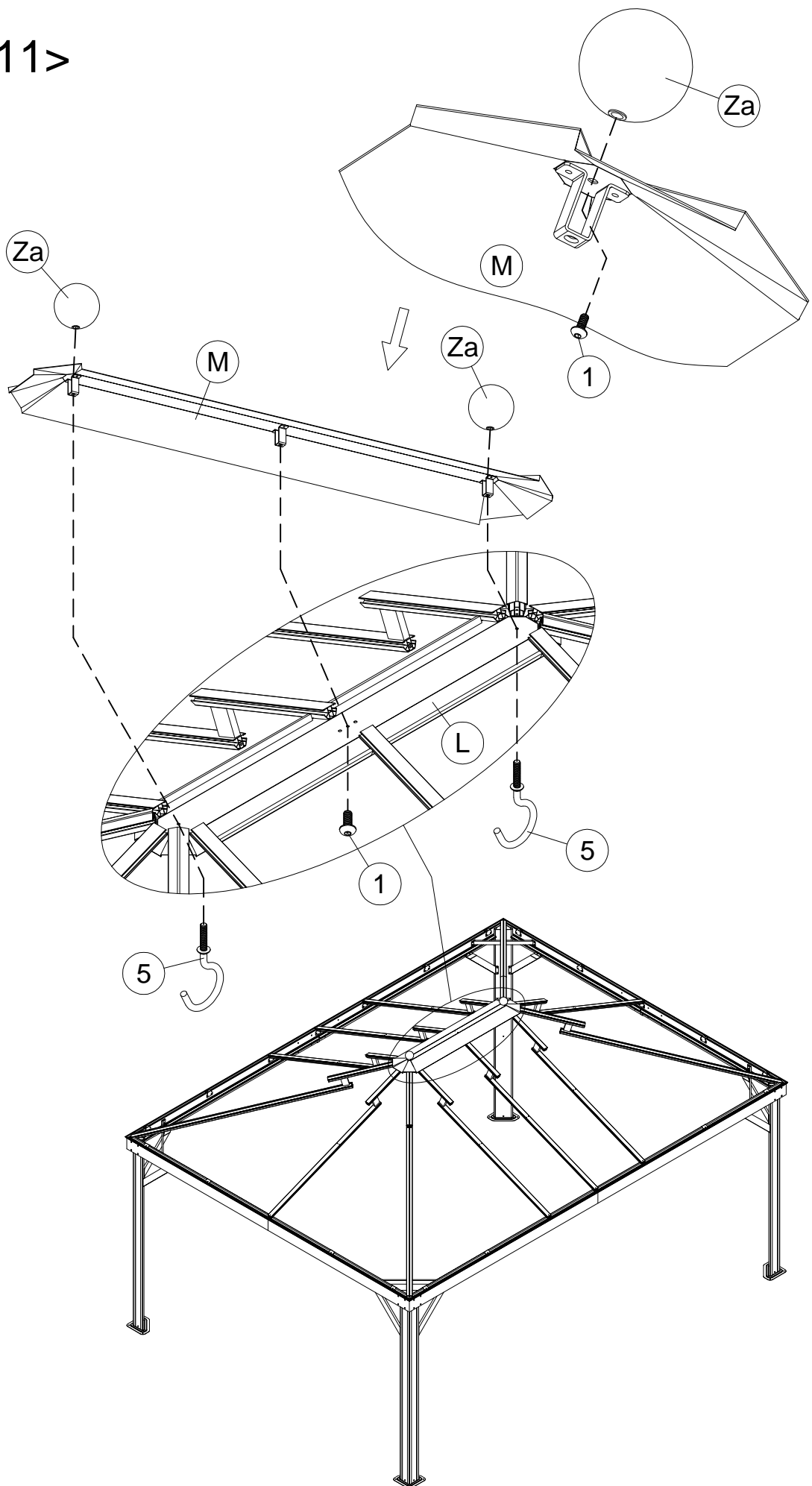


(1) 3x M6x15

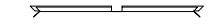


(5) 2x

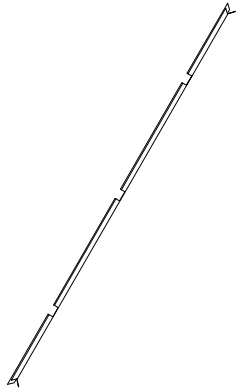
<11>



<12>



G3 2x



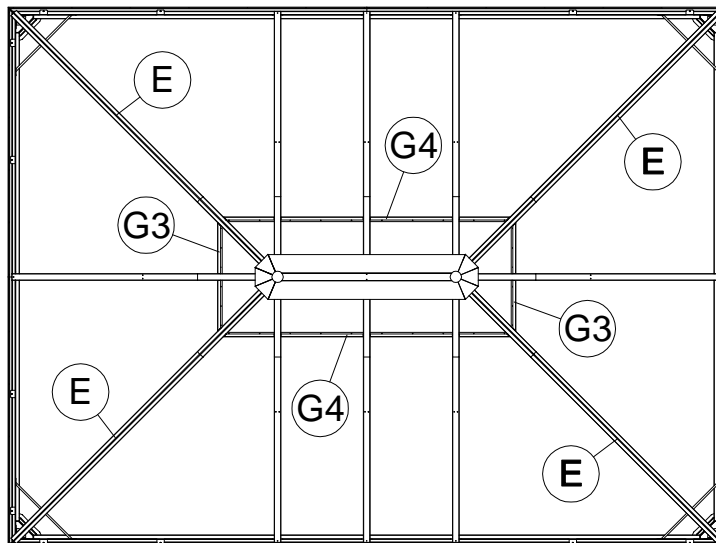
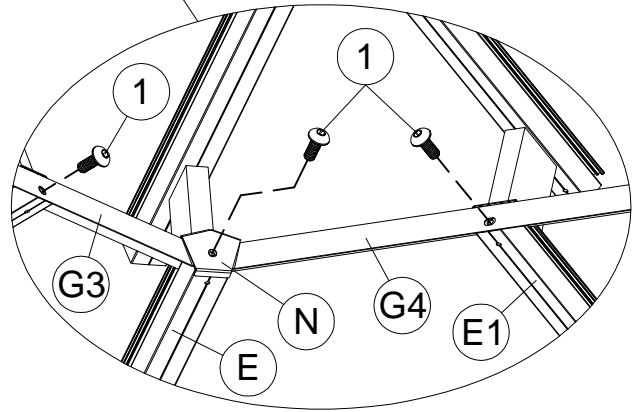
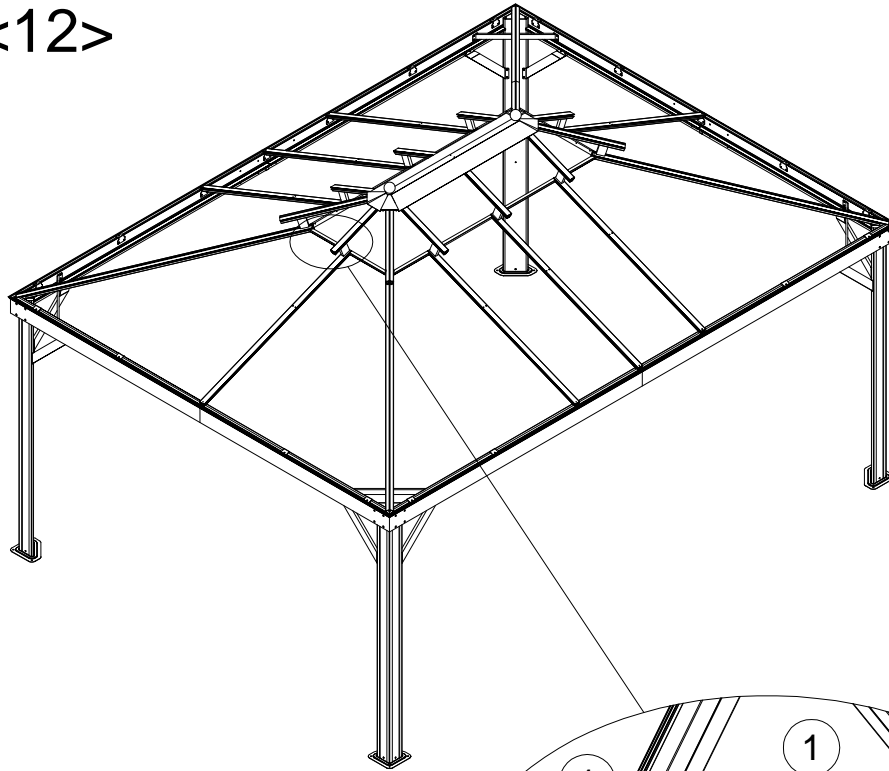
G4 2x



N 4x



1 12x M6x15





<13>



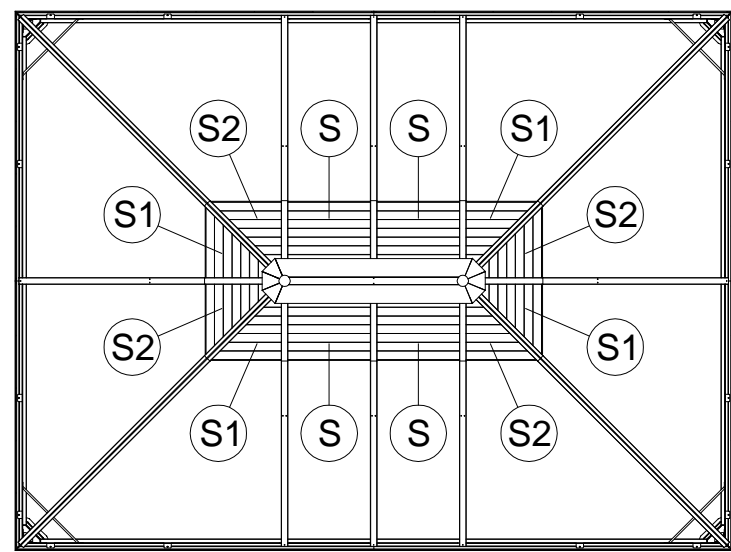
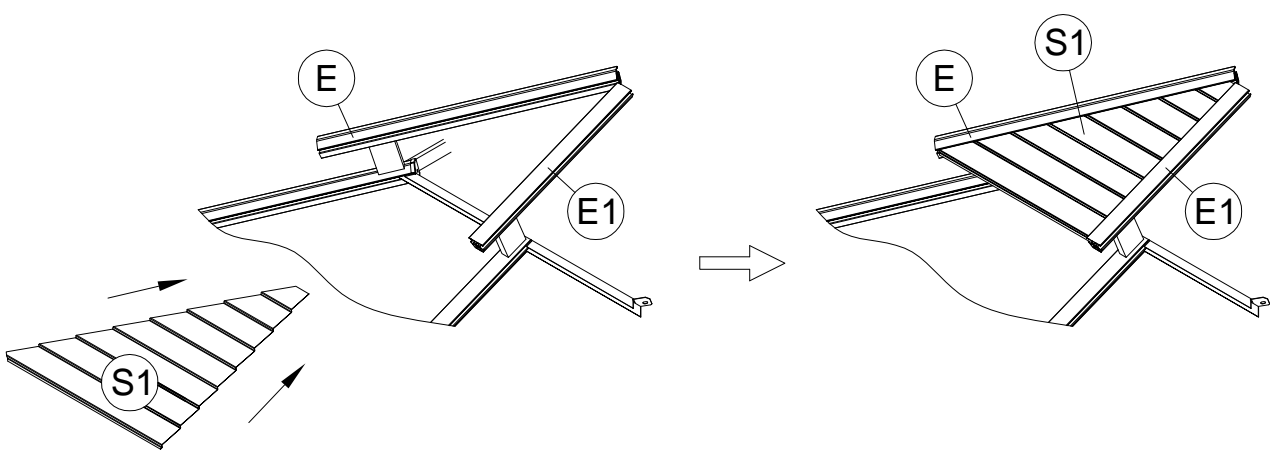
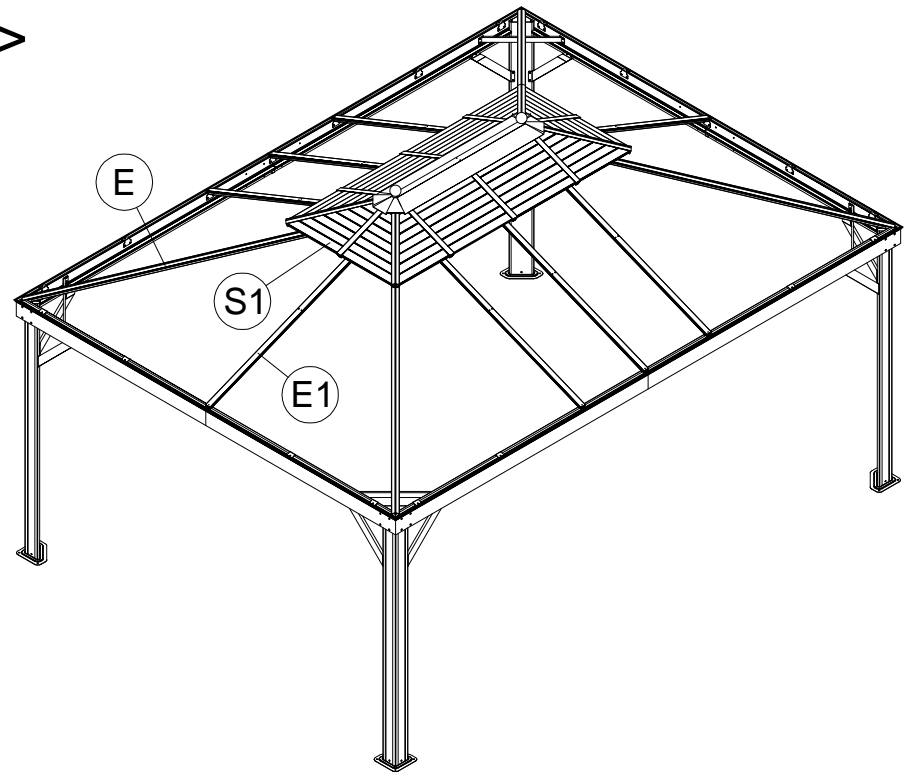
S 4x



S1 4x



S2 4x



<14>

G 2x



G1 4x



G2 4x



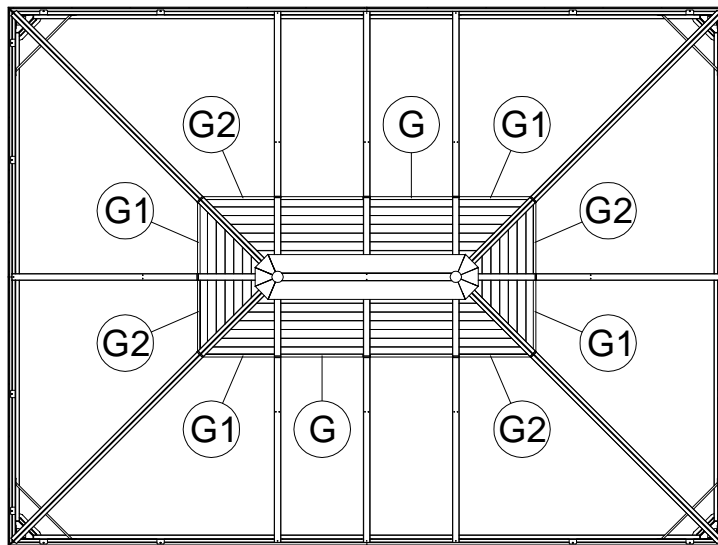
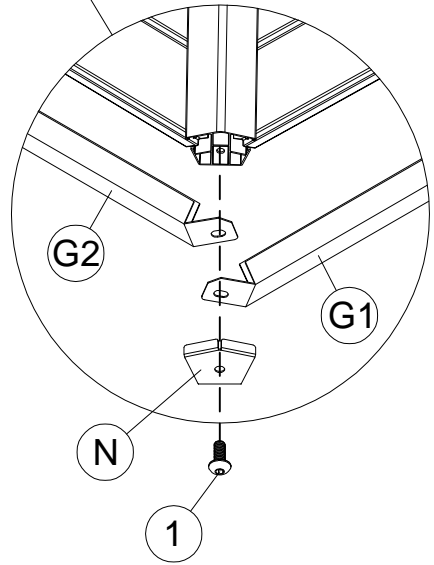
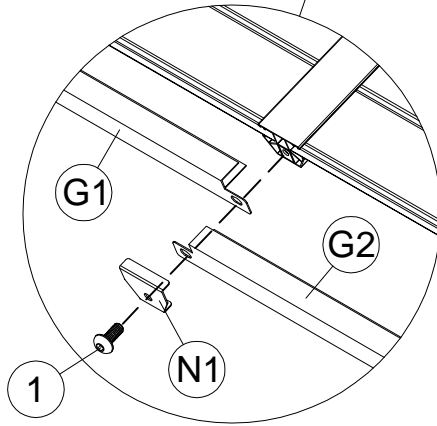
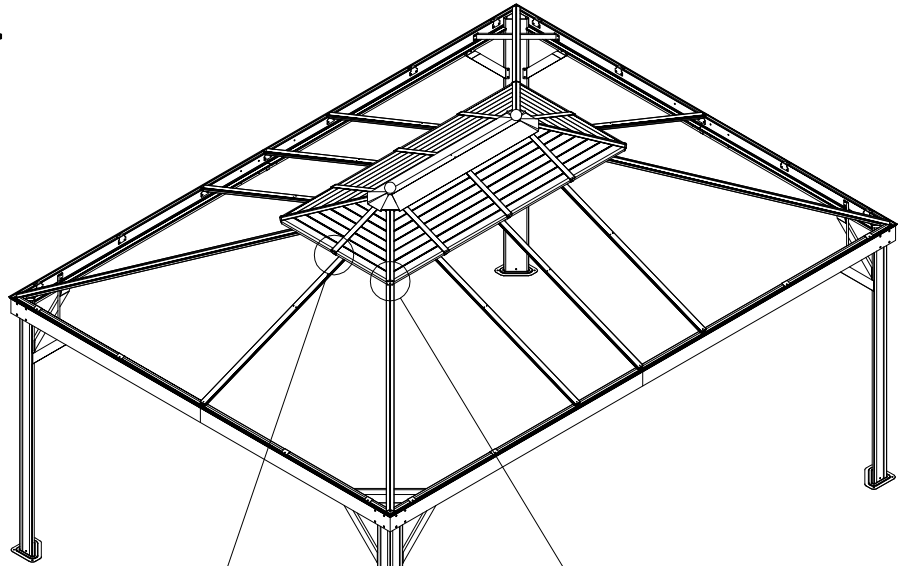
N 4x



N1 8x



1 12x M6x15



<15>



F 4x



F3 4x

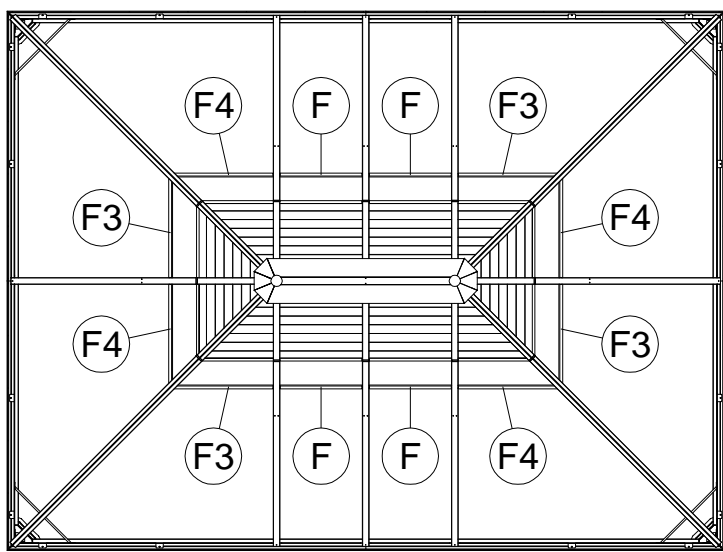
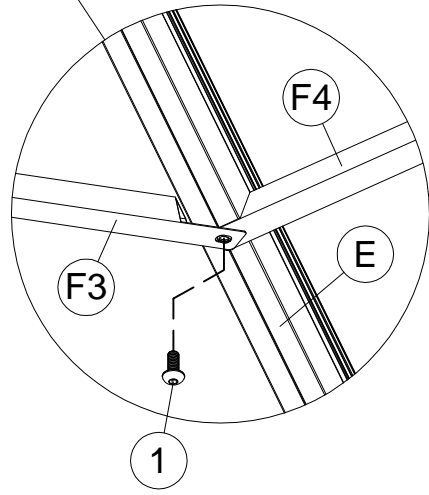
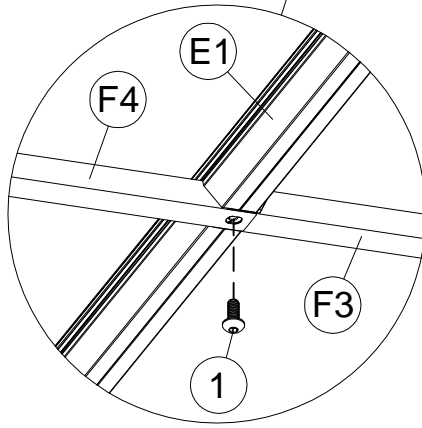
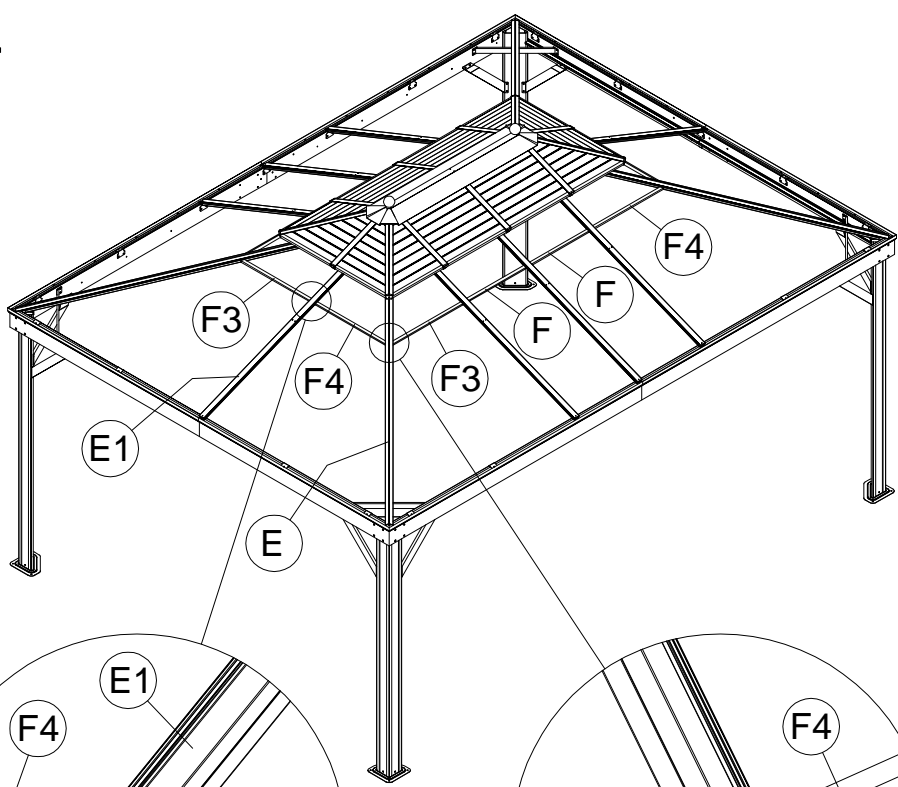


F4 4x



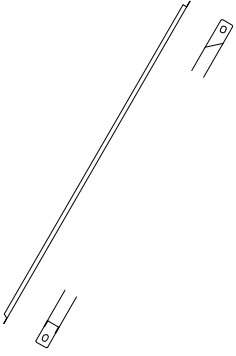
M6x15

1 12x

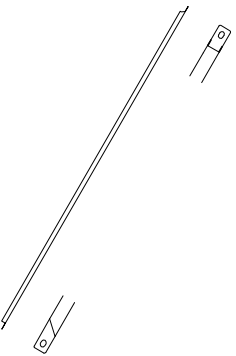


<16>

F 4x

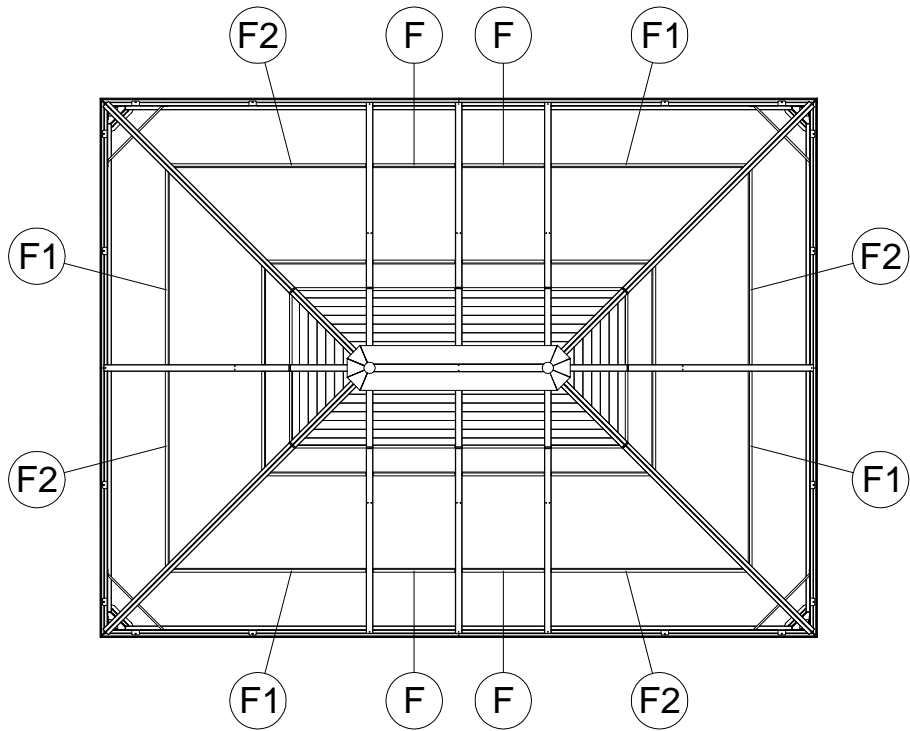
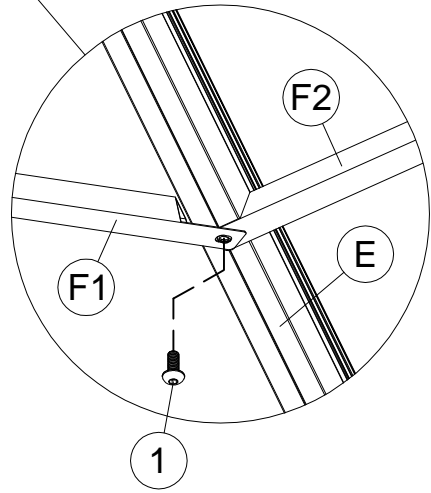
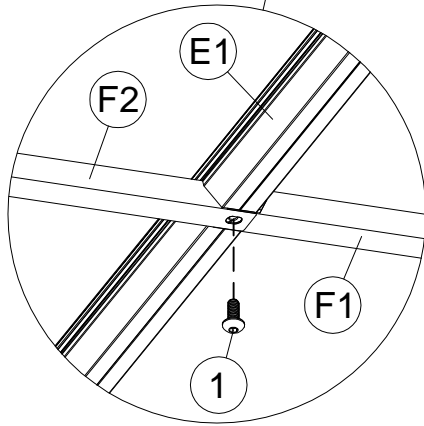
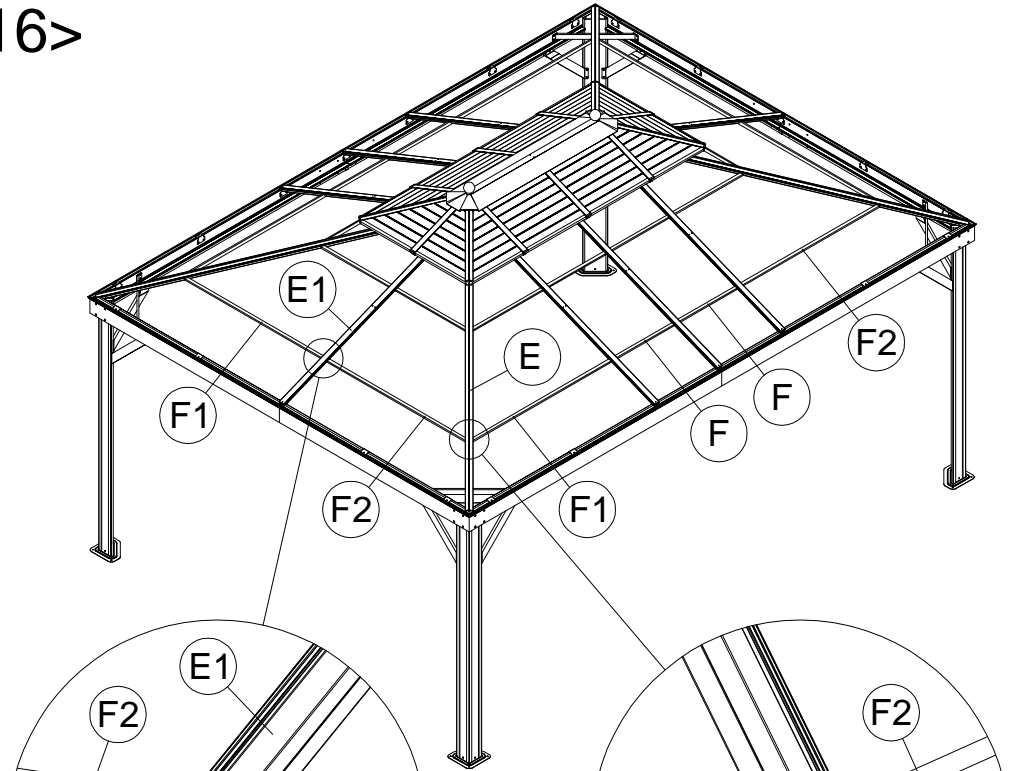


F1 4x

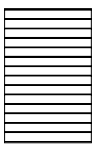
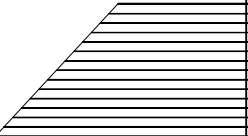
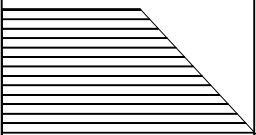

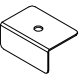
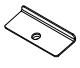
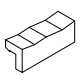




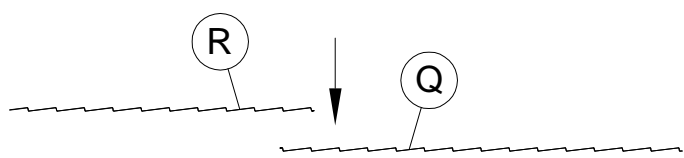
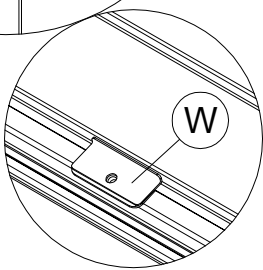
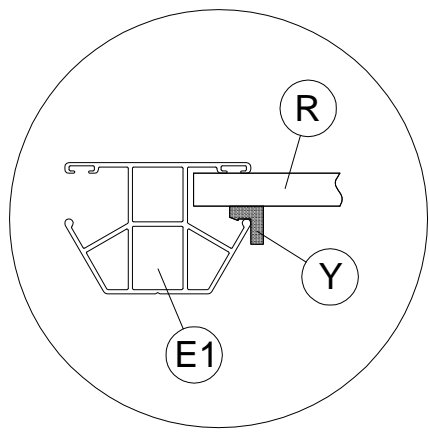
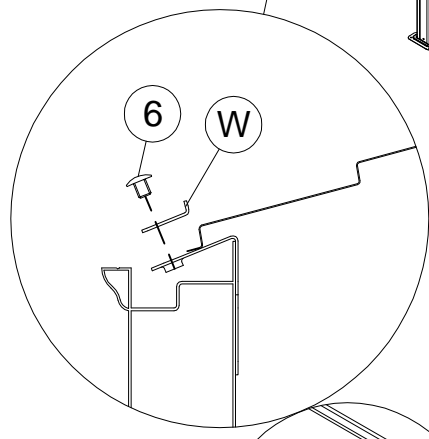
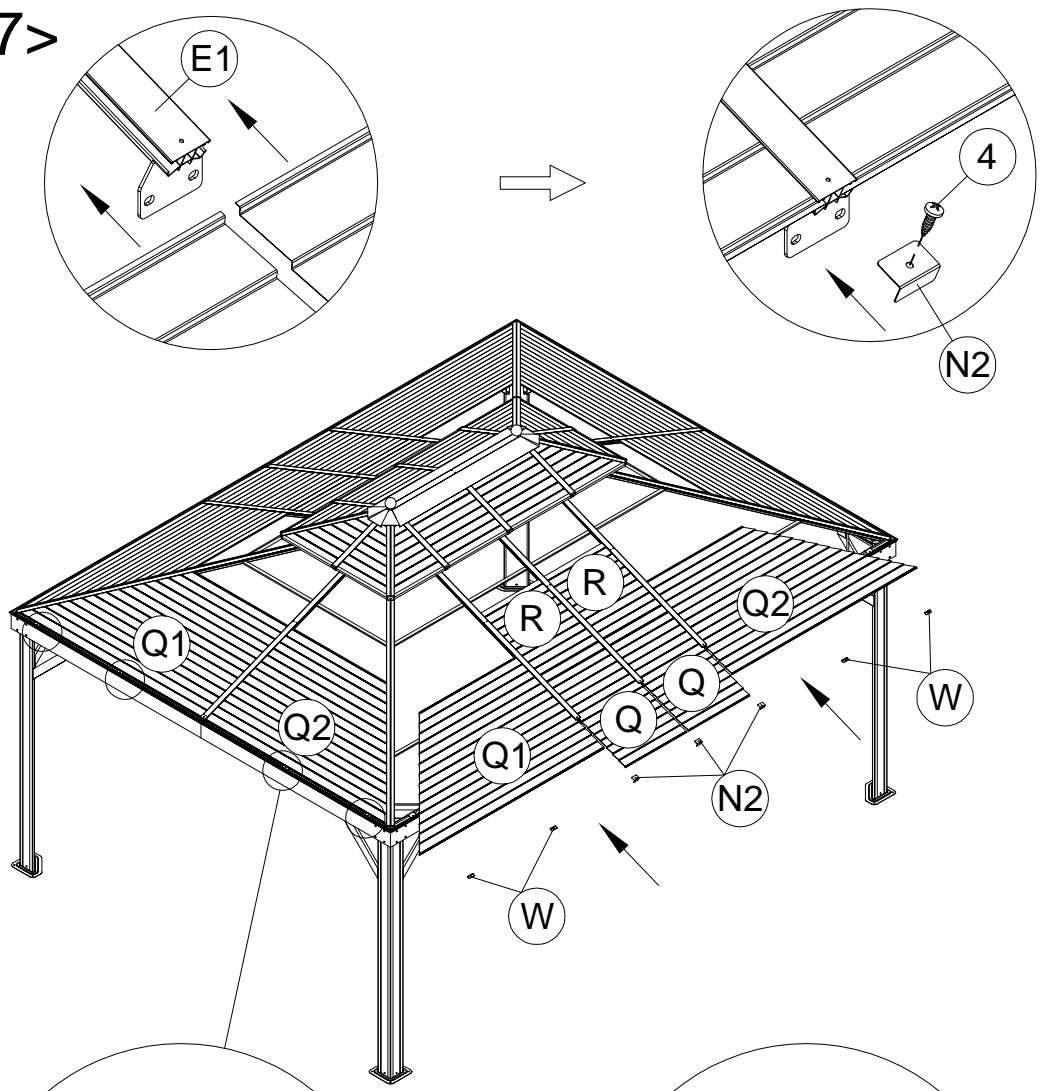
F2 4x

1 12x M6x15

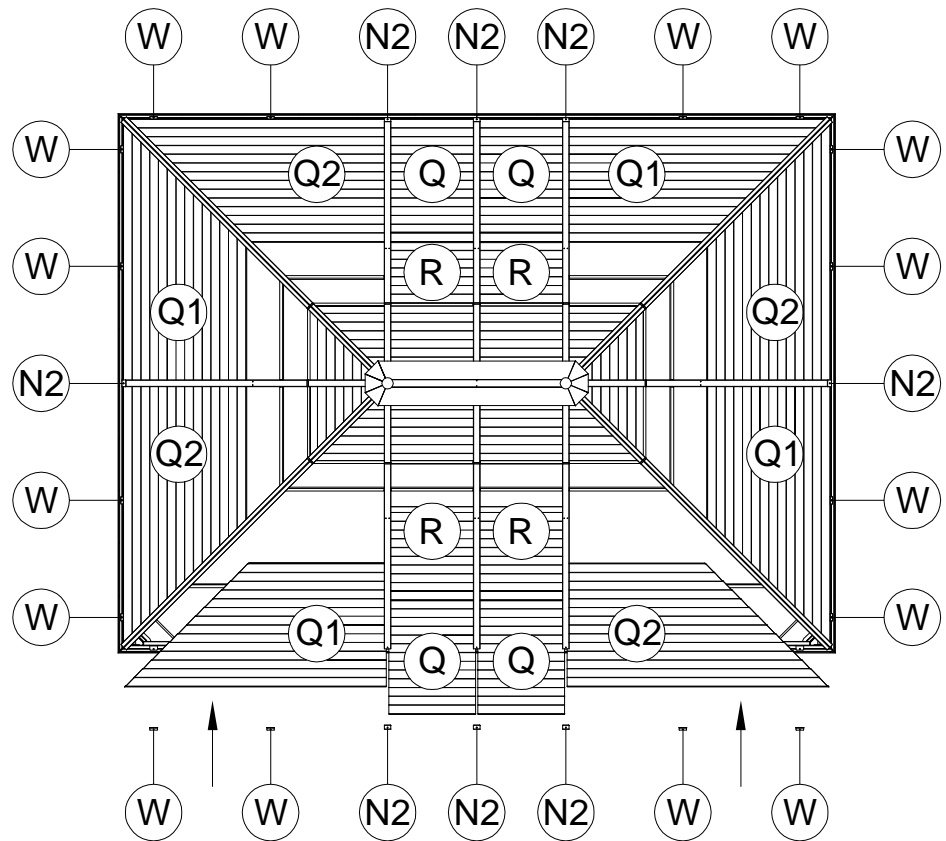
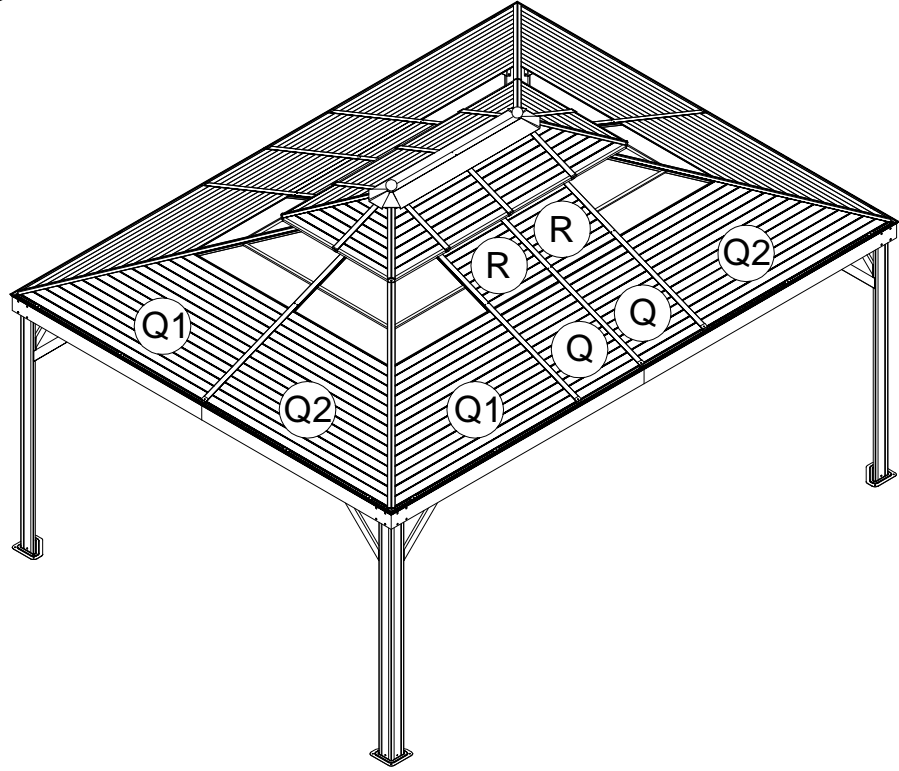


<17>

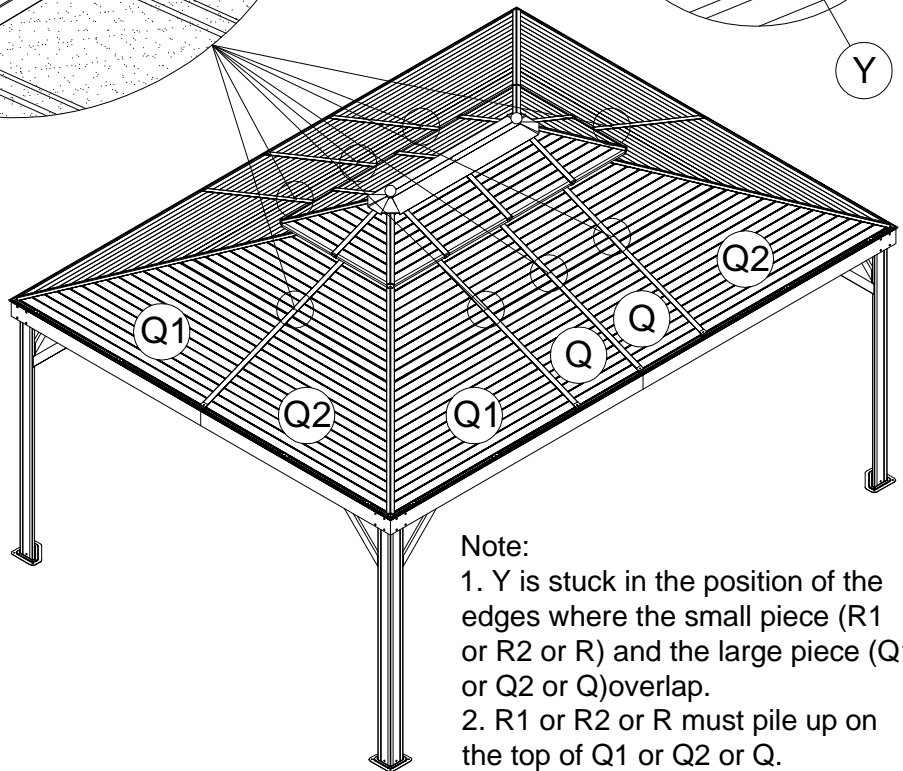
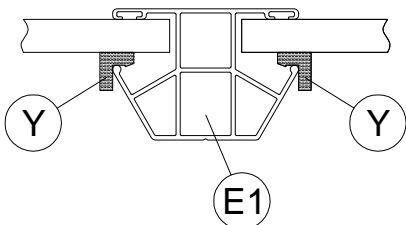
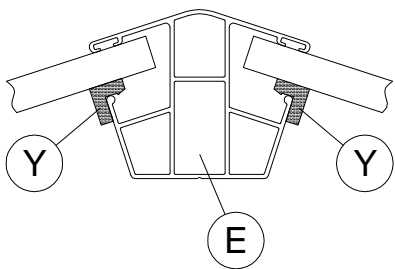
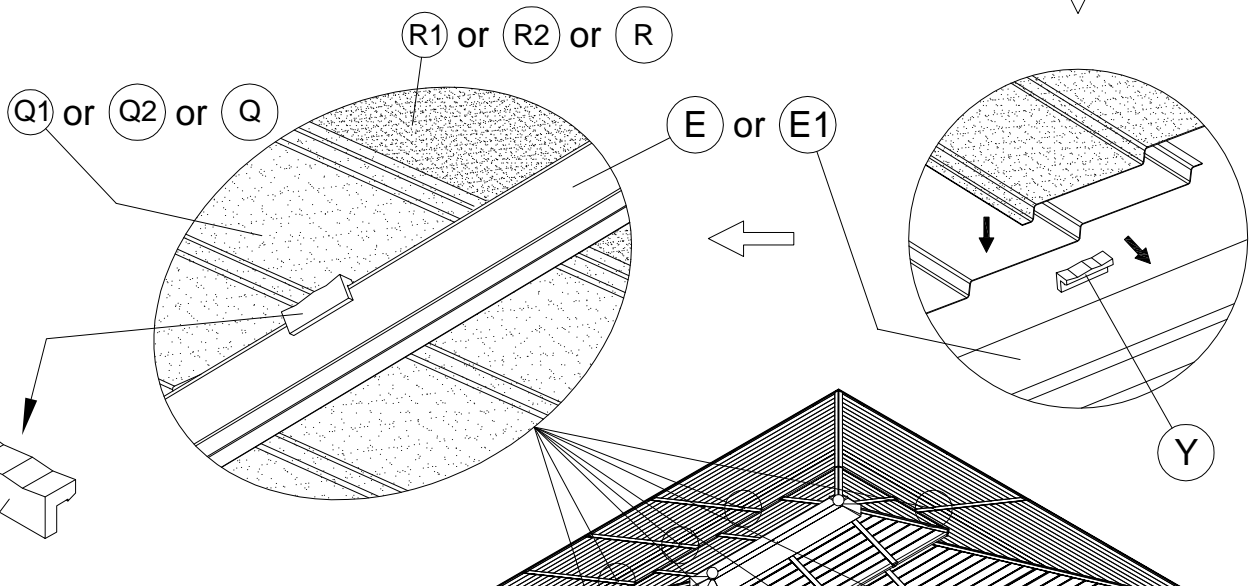
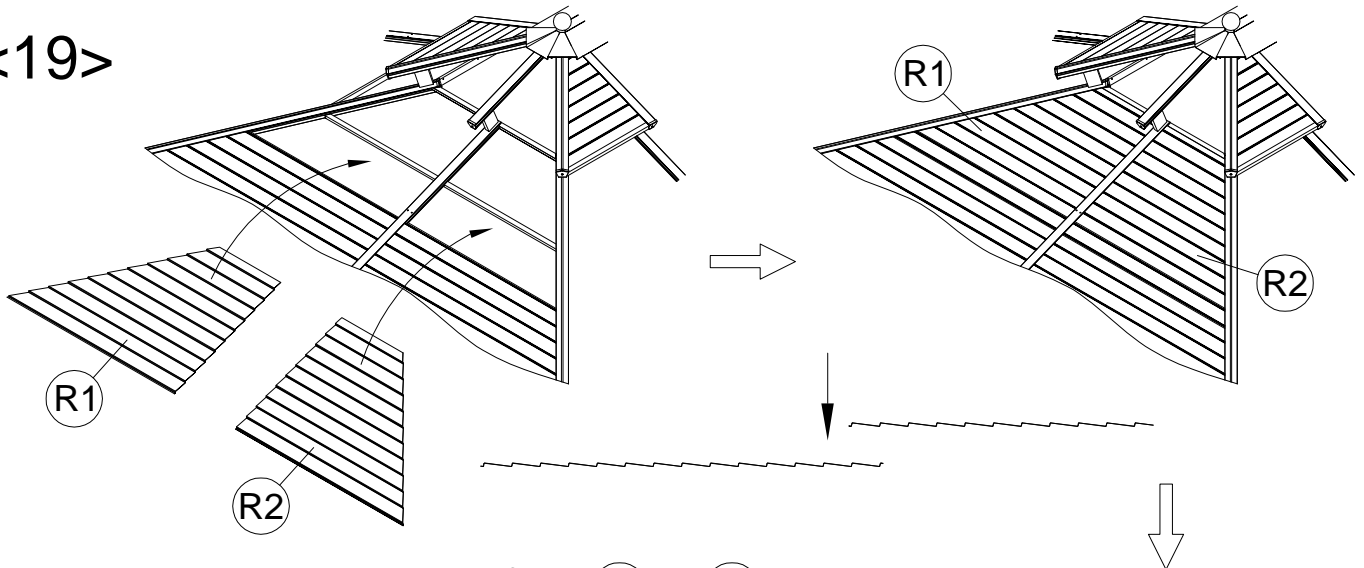
-   
Q 4x
-   
Q1 4x
-   
Q2 4x
-   
R 4x
-   
N2 8x
-   
W 16x
-   
Y 8x
-   
4 ST4.8x12 8x
-   
6 M5x6 16x
- 20**



<18>



<19>



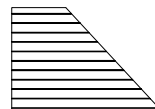
Note:

1. Y is stuck in the position of the edges where the small piece (R1 or R2 or R) and the large piece (Q1 or Q2 or Q) overlap.
2. R1 or R2 or R must pile up on the top of Q1 or Q2 or Q.

22



(R1) 4x



(R2) 4x

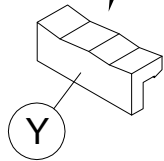
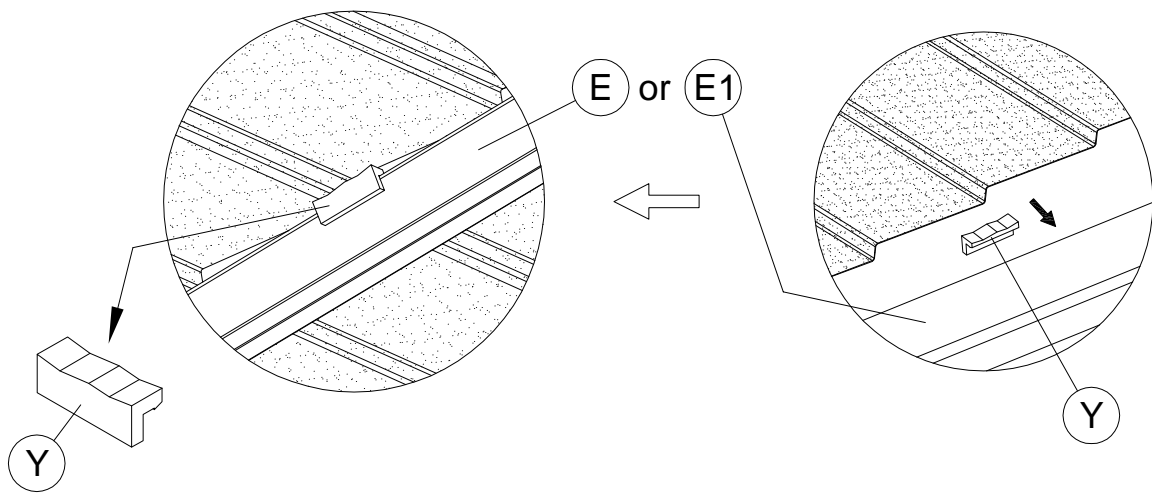
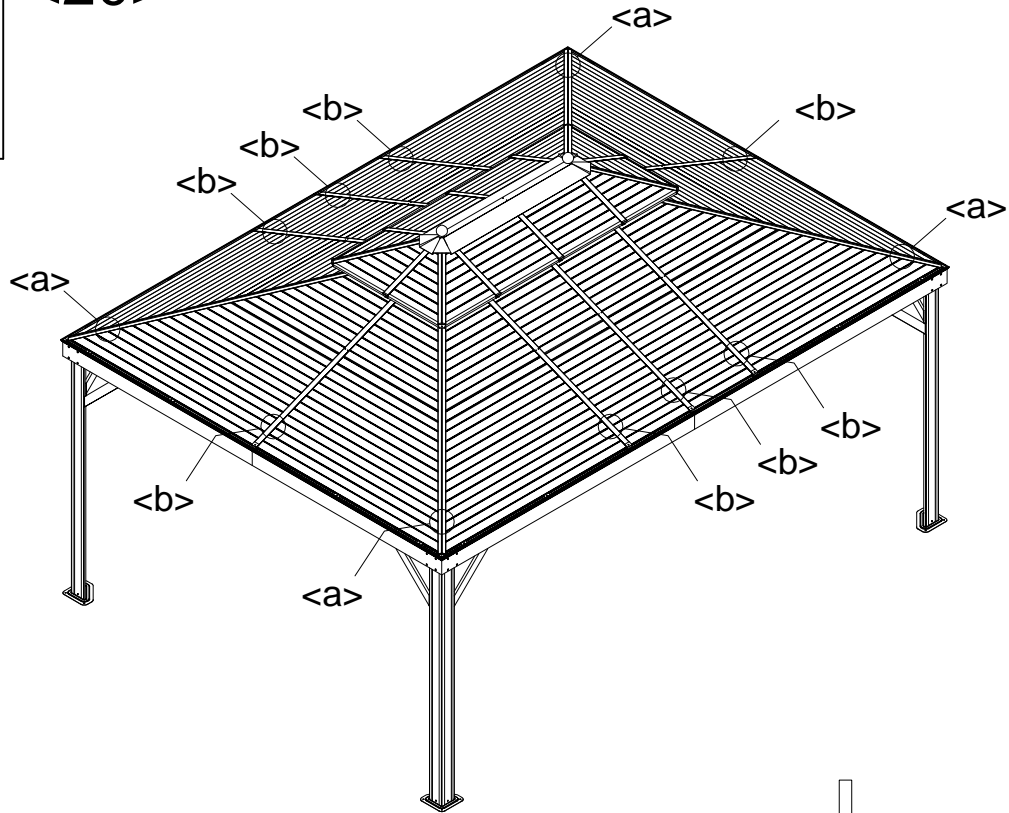


(Y) 16x

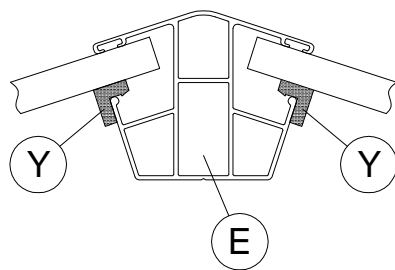


Y 24x

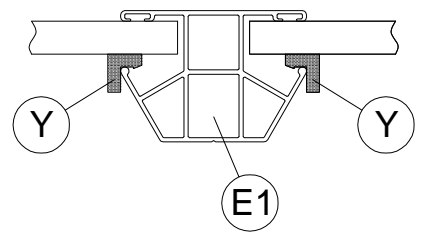
<20>



<a>

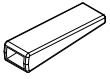


<b>



23





<21>

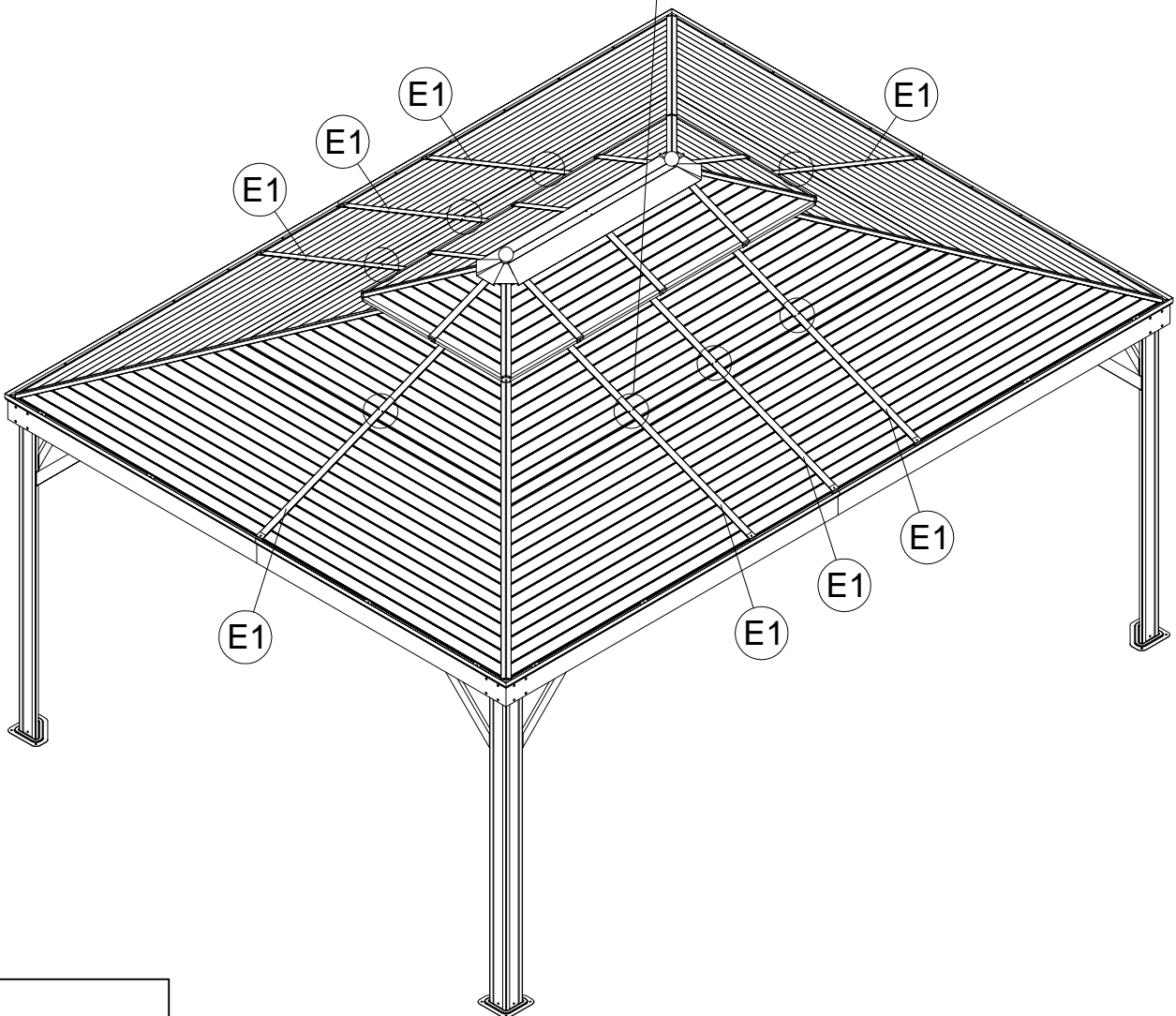
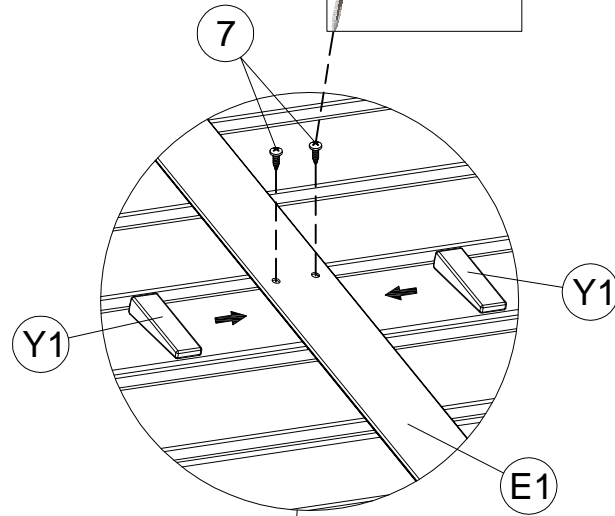
Y1 16x



7 16x ST4x8



Note: pls use power tools to drill the screws.



<22>

D 2x

D1 2x

D2 2x

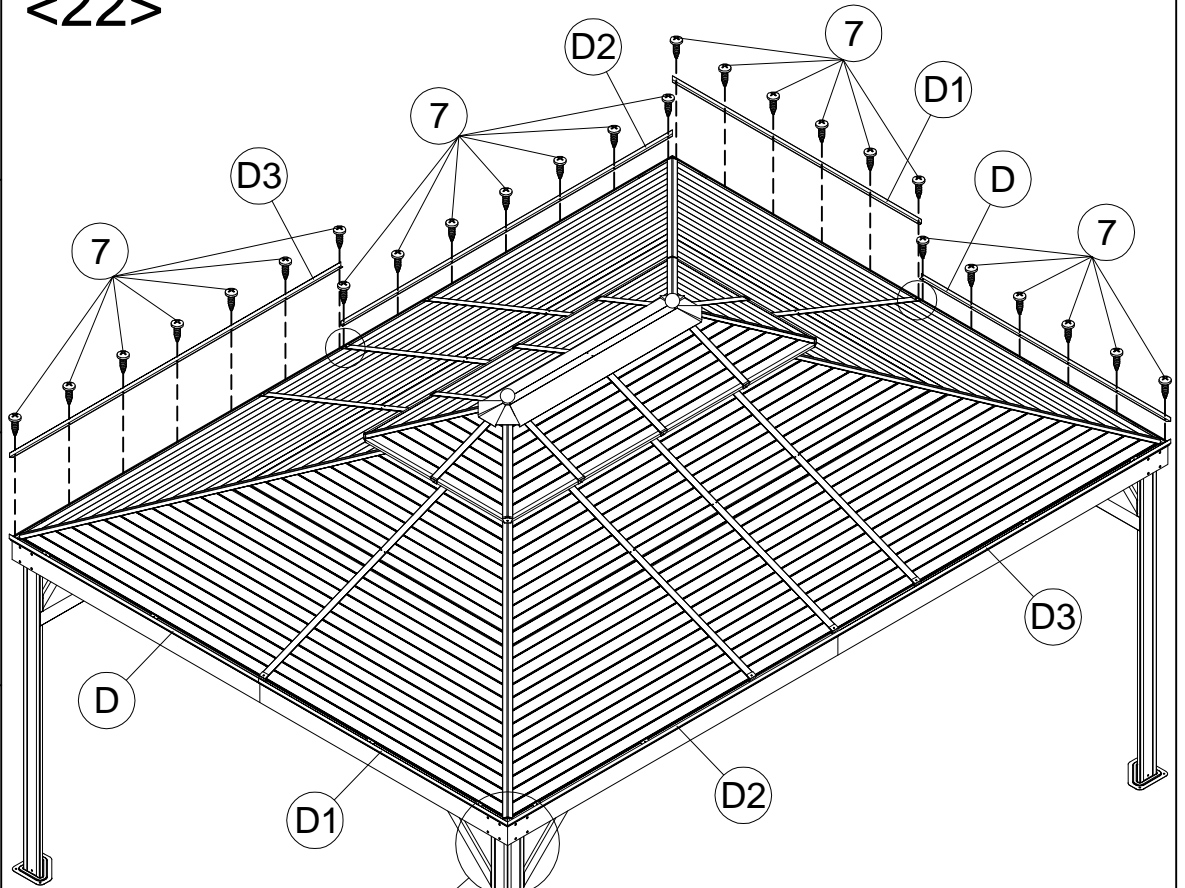
D3 2x

K 4x

4 ST4.8x12  
8x

7 ST4x8  
52x

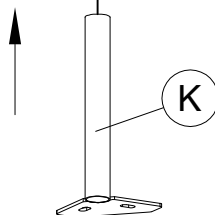
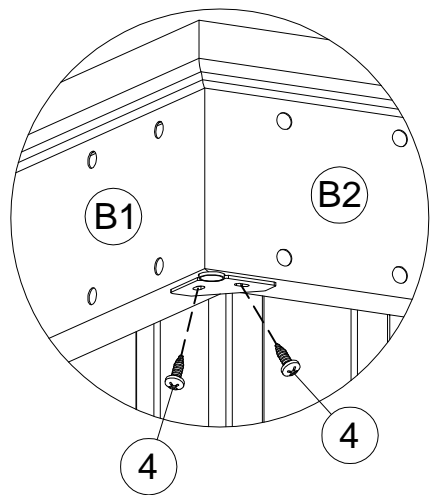
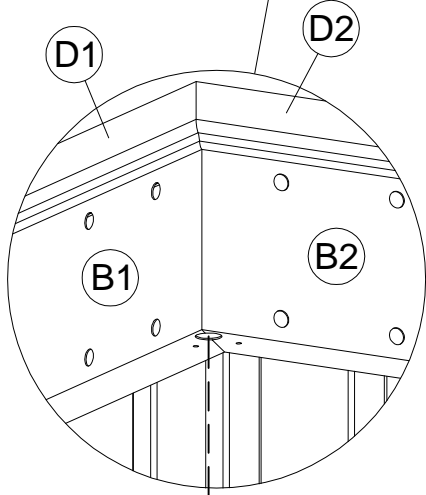
25

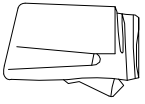


D or D1 or D2 or D3



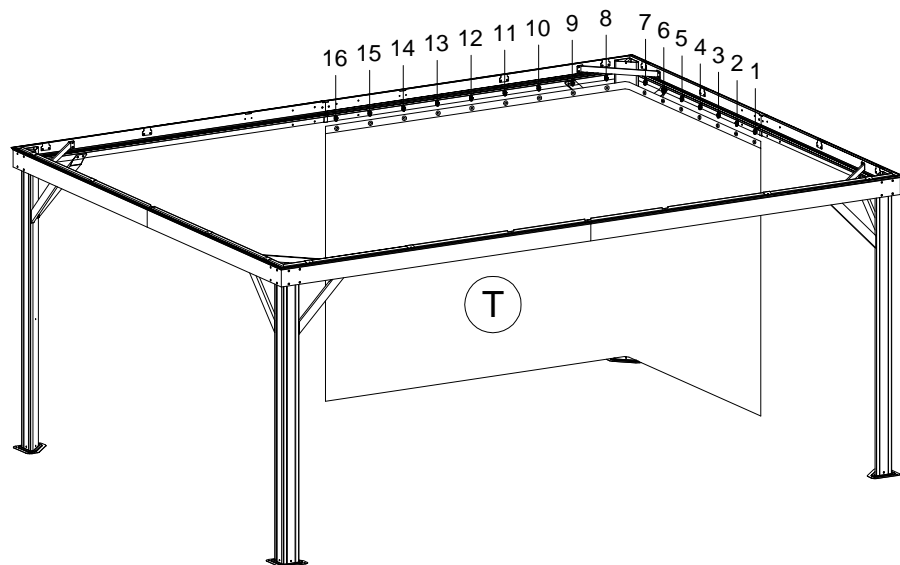
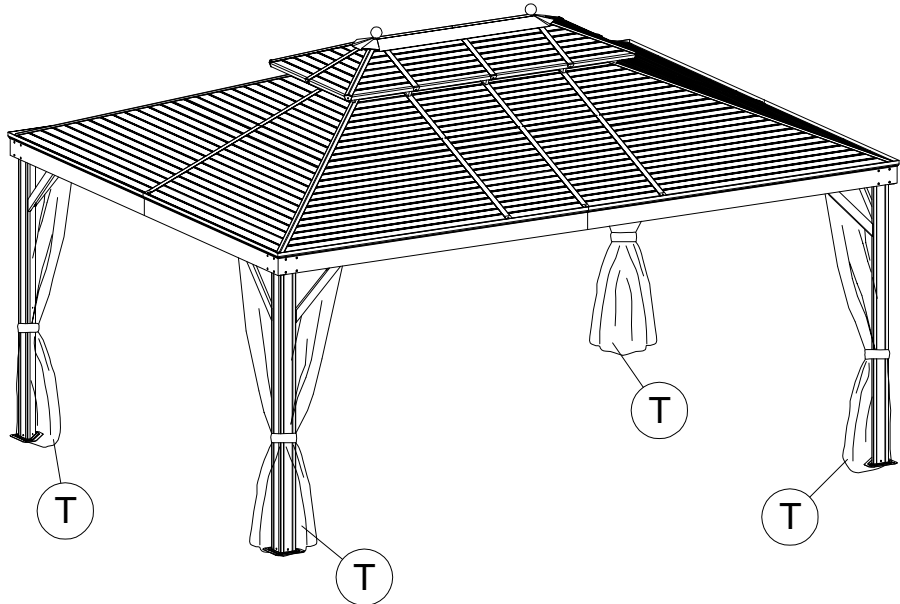
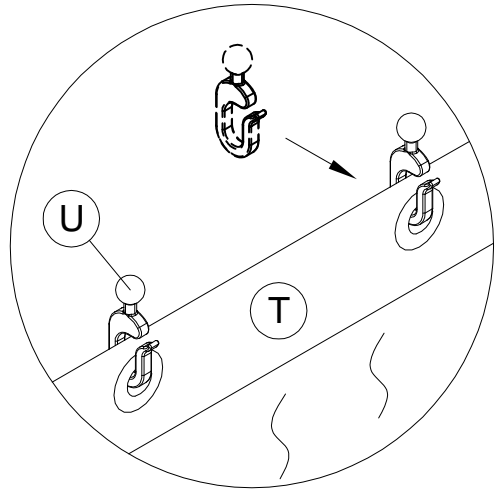
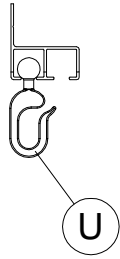
B or B1 or B2 or B3

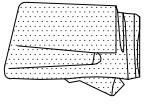




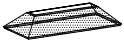
<23>

T 4x



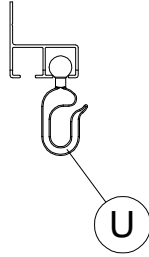


+

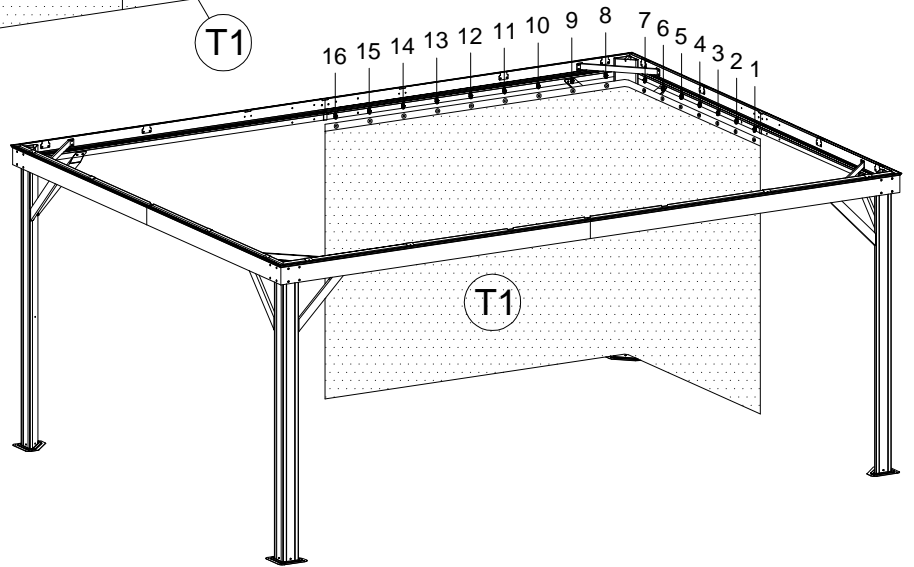
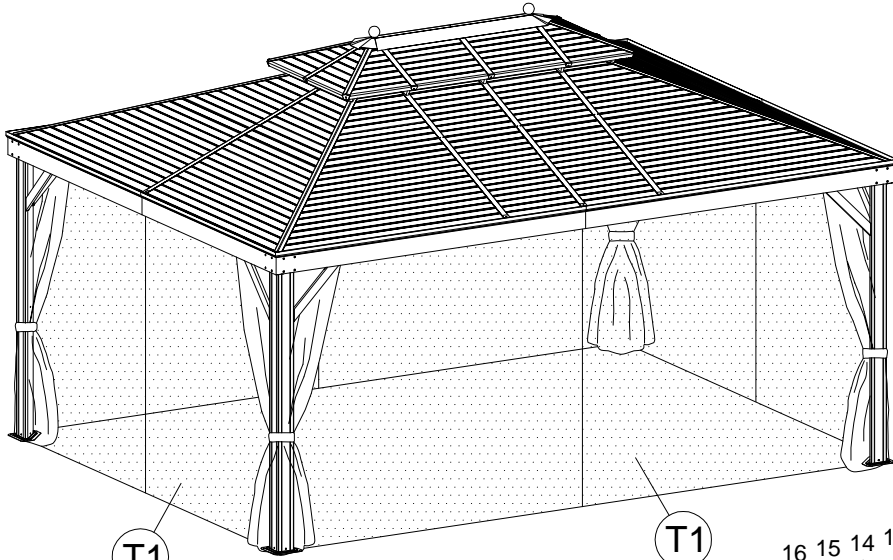
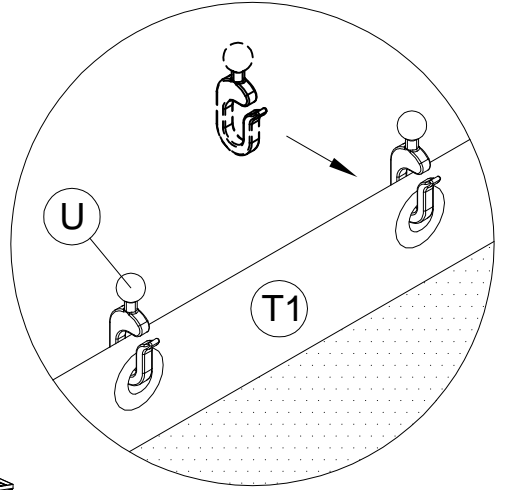


T1 4x + 1x

<24>



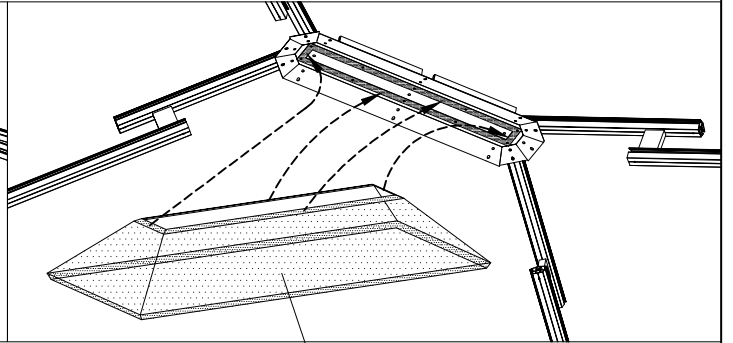
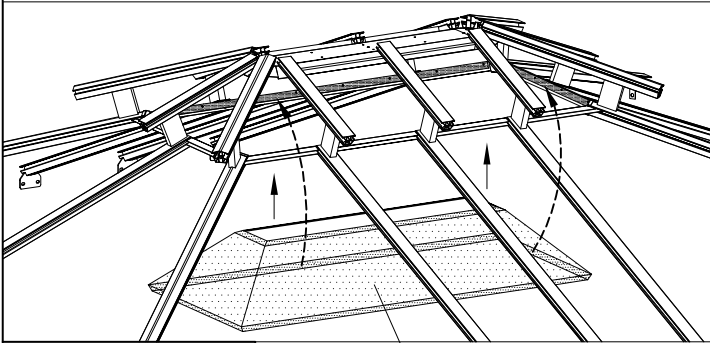
3



1



2



27

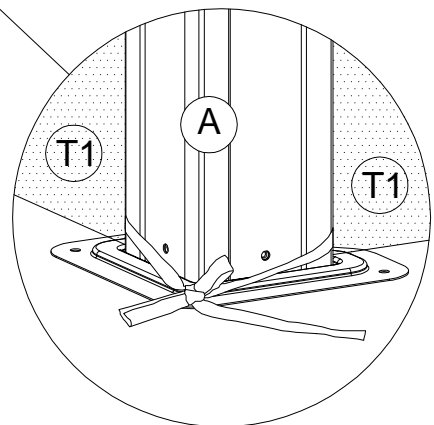
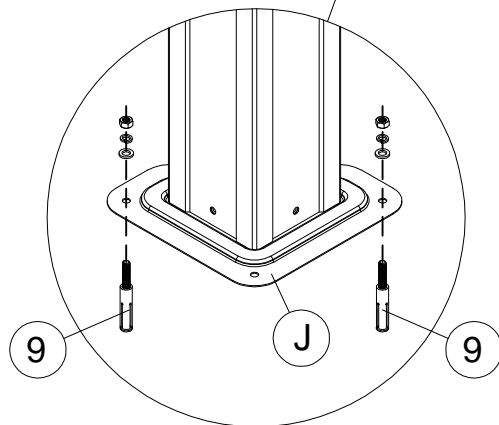
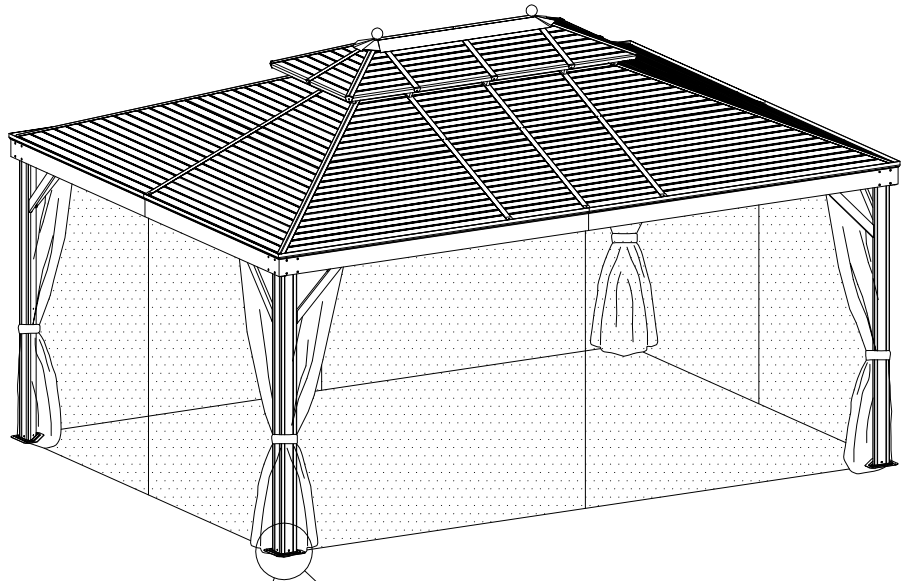
T1

T1



<25>

9 12x



Carton-1/6		Carton-4/6		Carton-5/6	
Part	Qty	Part	Qty	Part	Qty
A	4	D	2	Q	4
		D1	2	Q1	4
		D2	2	Q2	4
		D3	2		
Carton-2/6		E	4		
Part	Qty	F	8	Carton-6/6	
B	2	F1	4		
B1	2	F2	4	Part	Qty
B2	2	F3	4	R	4
B3	2	F4	4	R1	4
H	4	G	2	R2	4
H1	4	G1	4	S	4
H2	4	G2	4	S1	4
		G3	2	S2	4
		G4	2		
		J	4		
		K	4		
Carton-3/6		L	1		
Part	Qty	M	1		
E1	8	P	4		
		T	4		
		T1	4 + 1		
		W1	16		
Carton-4/6		Za	2		
Part	Qty	N.N1.N2.U.V.	1		
C	2	W.Y.Y1.9.10			
C1	2	1.2.3.4.5.6.7	1		
C2	2				
C3	2				