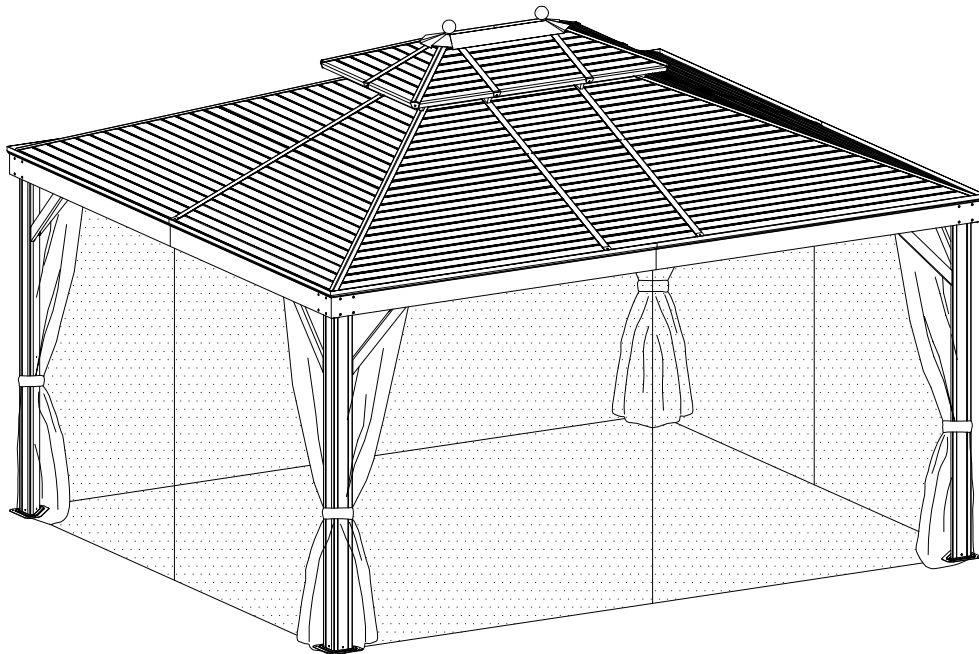
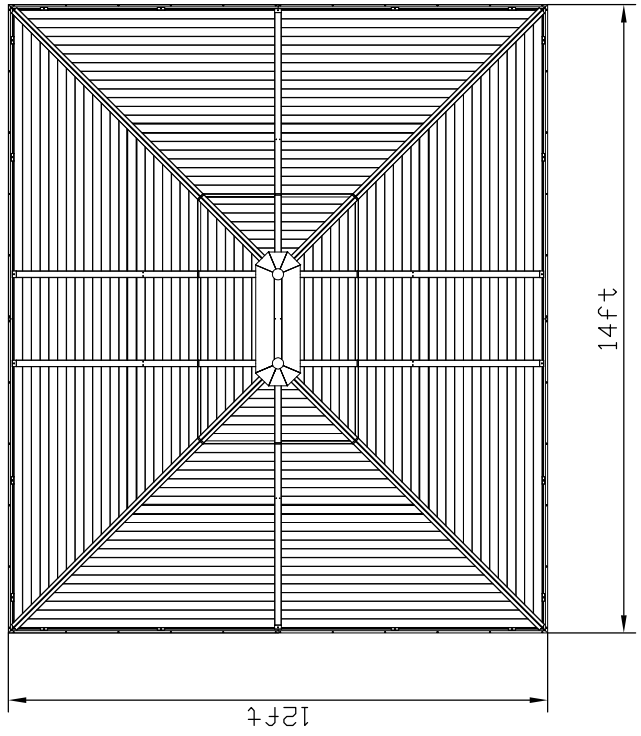
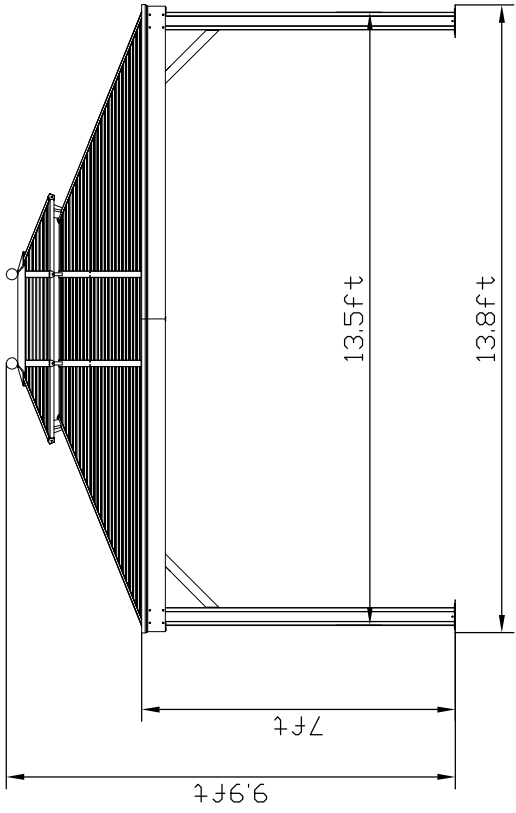
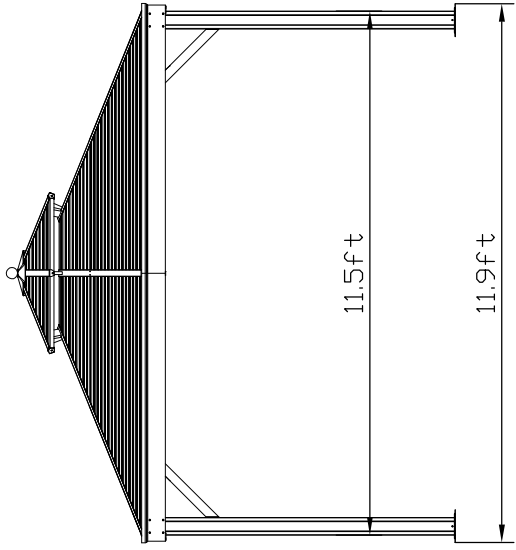

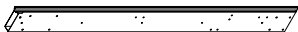
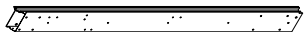
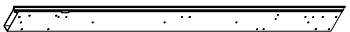
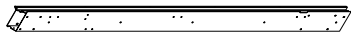























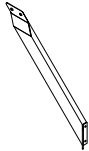

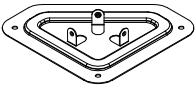
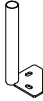
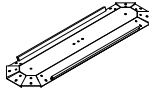
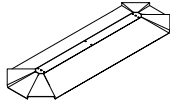


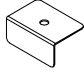
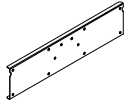

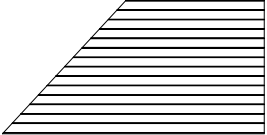
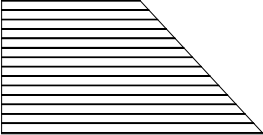
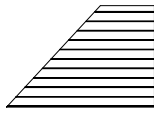
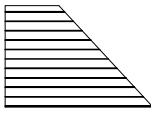
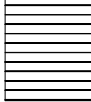
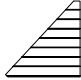
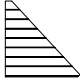

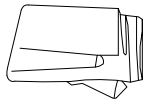
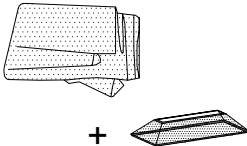



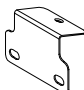
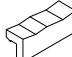
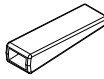
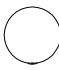


3.65 x 4.25 M


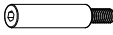






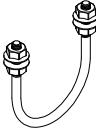
□ □ □ □ □ □ □ □ HWG - 057 □ □ □ □ □ □ □ □


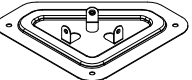



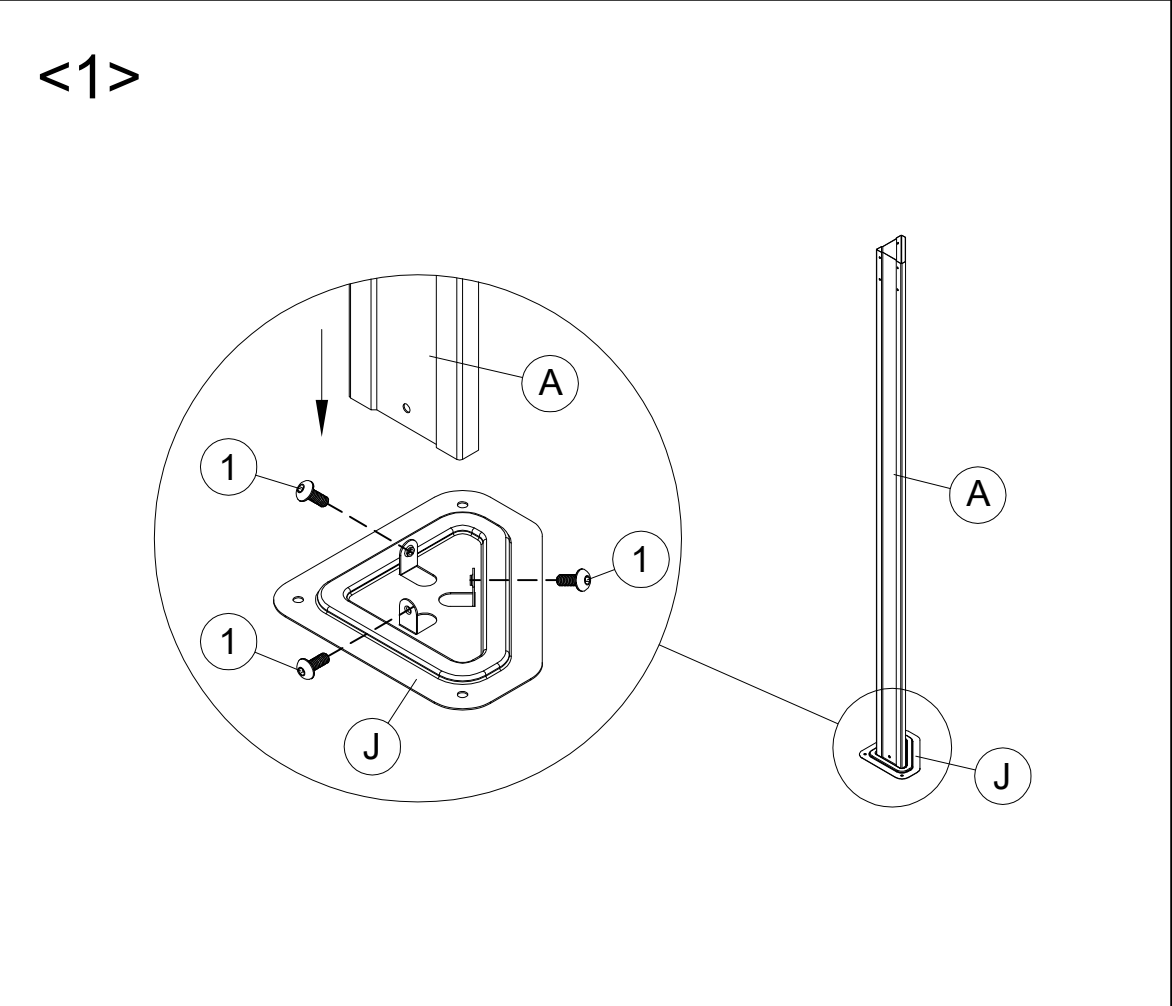


			
A 4x	B 2x	B1 2x	
			
B2 2x	B3 2x	C 2x	
			
C1 2x	C2 2x	C3 2x	
			
D 2x	D1 2x	D2 2x	
			
D3 2x	E 4x	E1 6x	
			
F 4x	F1 4x	F2 4x	
			
F3 4x	F4 4x	G1 4x	G2 4x
			
G 2x	G3 2x	G4 2x	

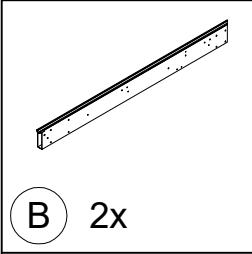
			
(H) 4x	(H1) 4x	(H2) 4x	(J) 4x
			
(K) 4x	(L) 1x	(M) 1x	(N) 8x
			
(N1) 6x	(N2) 6x	(P) 4x	(Q) 2x
			
(Q1) 4x	(Q2) 4x	(R1) 4x	(R2) 4x
			
(R) 2x	(S1) 4x	(S2) 4x	(S) 2x
			
(T) 4x	(T1) 4x + 1x	(U) 120x	(V) 4x
			
(W) 16x	(W1) 16x	(Y) 40x	(Y1) 12x
	 1x		
(Za) 2x	 1x		

 M6x15 ① 247x	 ② 32x	 M5x12 ③ 12x	 ST4.8x12 ④ 14x
 ⑤ 2x	 M5x6 ⑥ 16x	 ST4x8 ⑦ 60x	 ⑨ 12x
 ⑩ 1x			

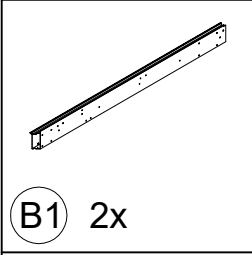
 A 4x
 J 4x
 ① 12x M6x15
4



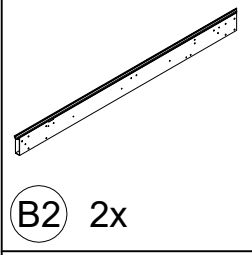
<2>



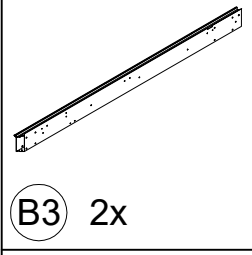
B 2x



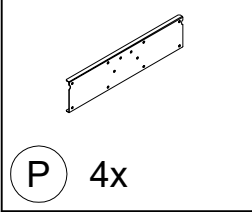
B1 2x



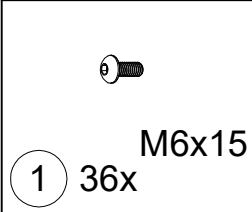
B2 2x



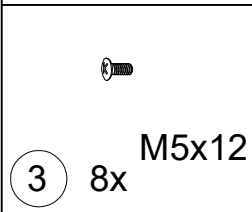
B3 2x



P 4x



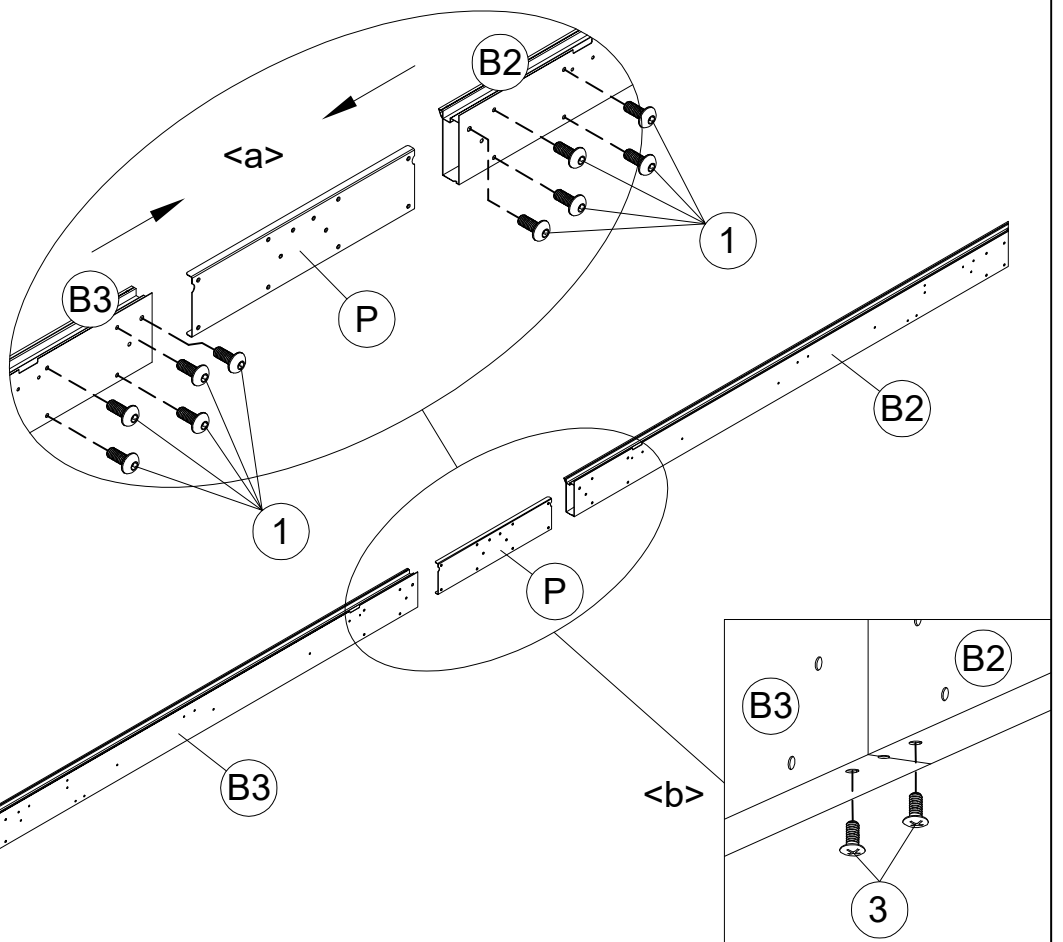
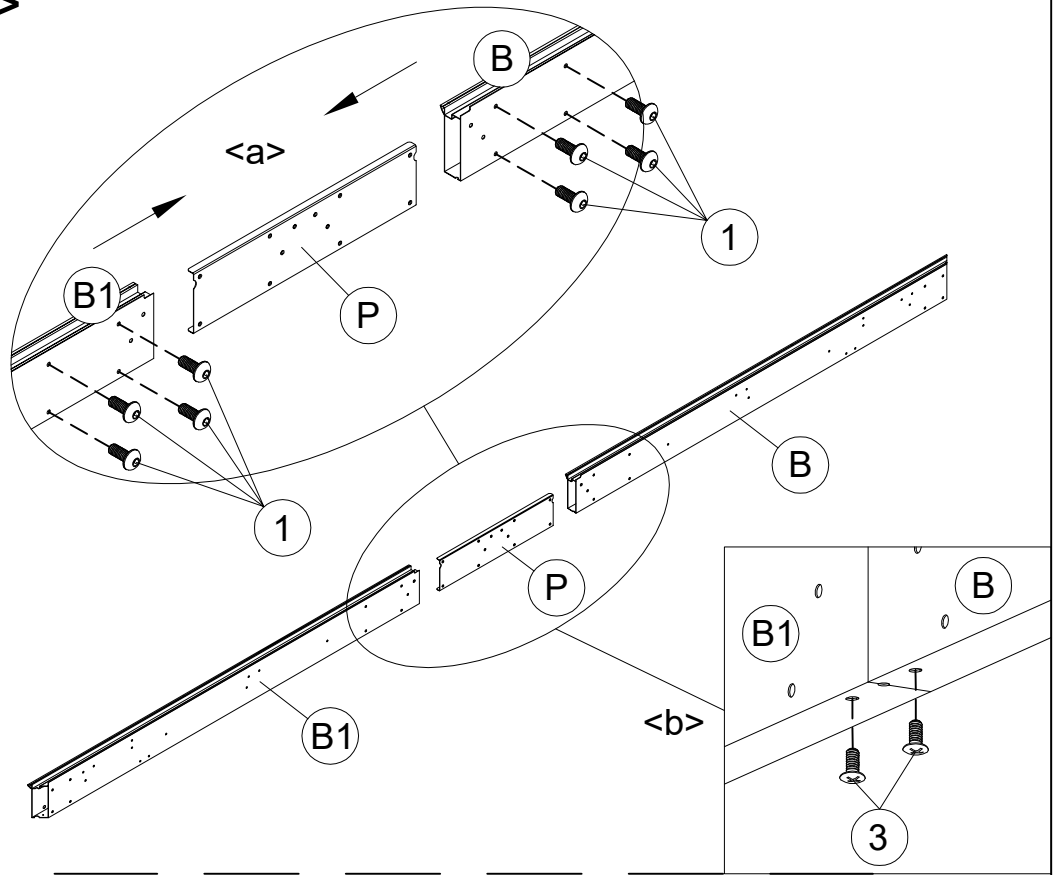
1 36x M6x15



3 8x M5x12



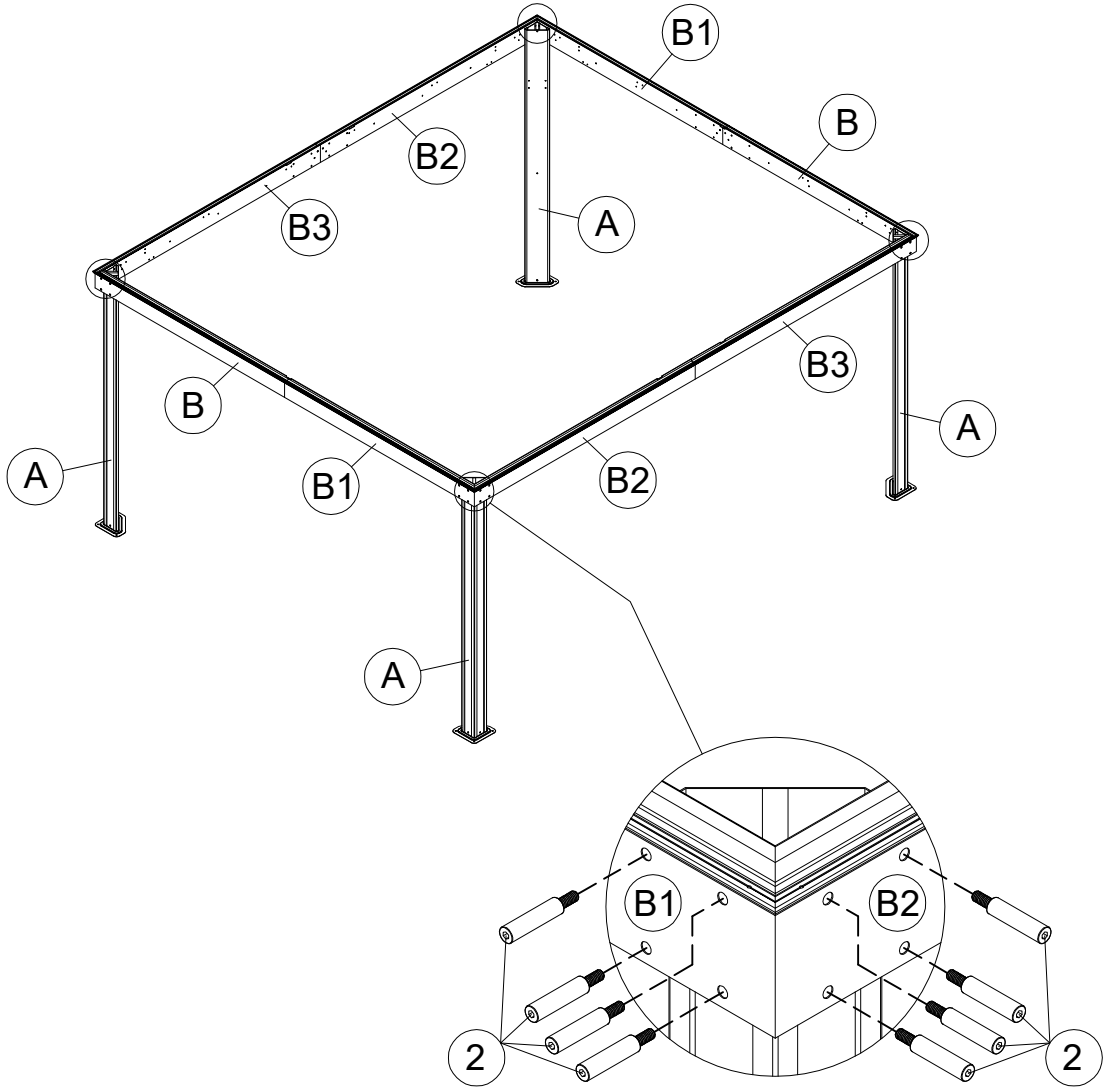
5



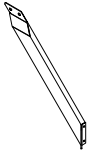


<3>

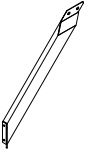
2 32x



<4>



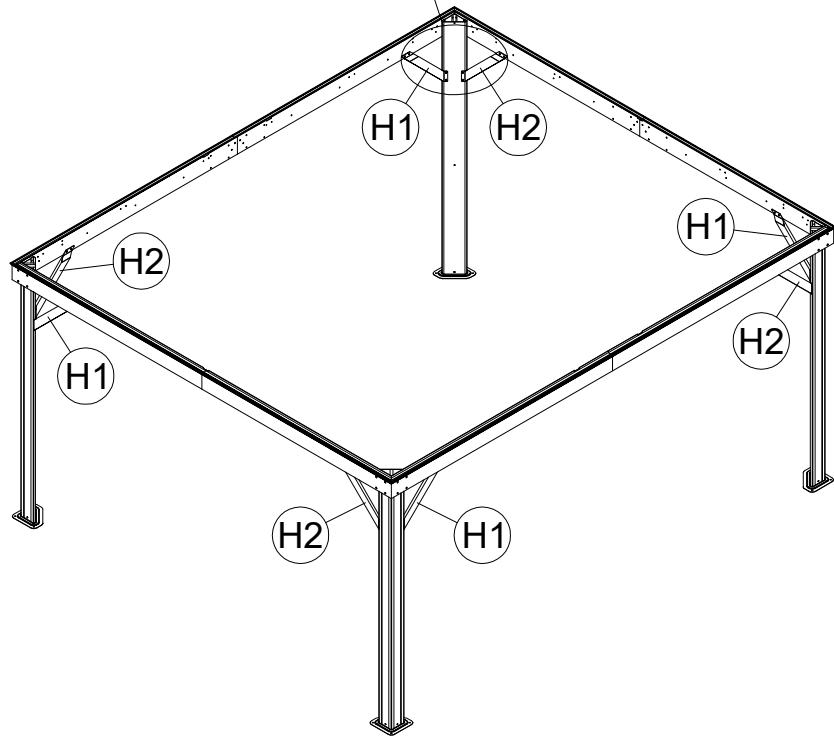
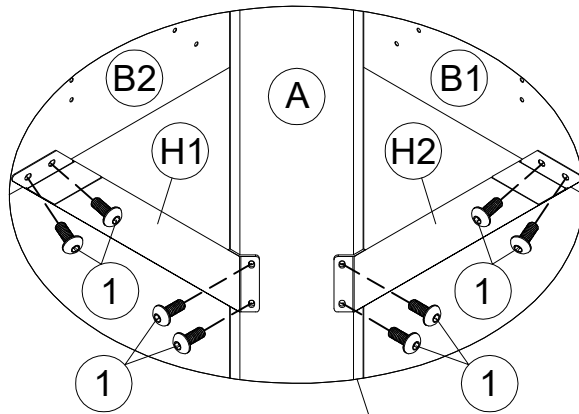
H1 4x



H2 4x



1 32x M6x15





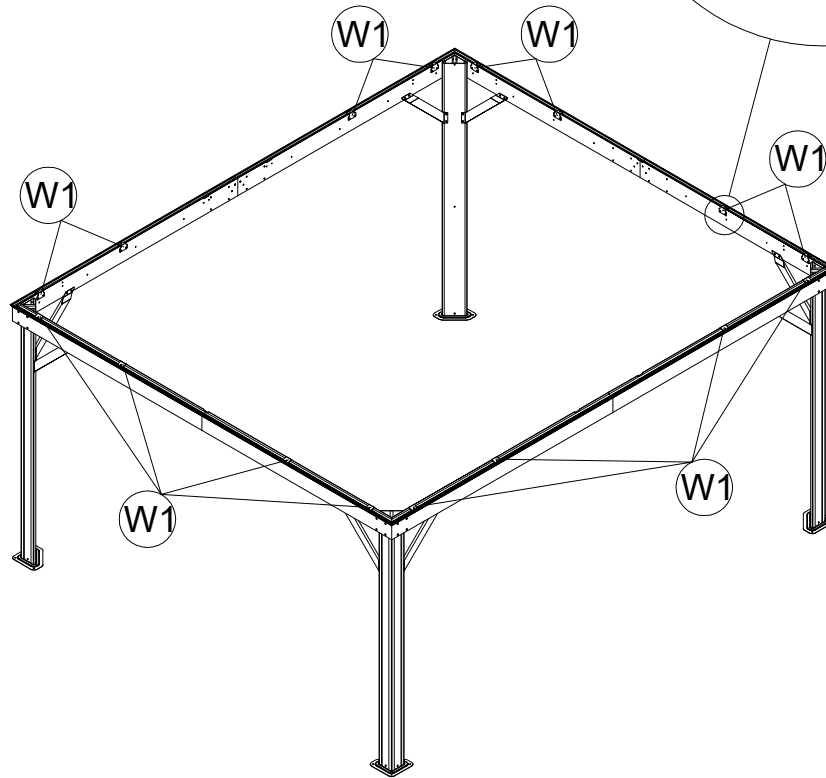
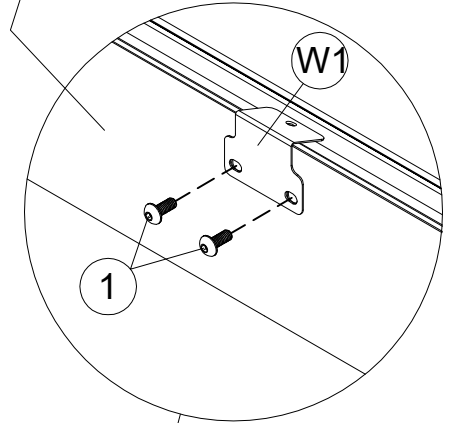
<5>

W1 16x



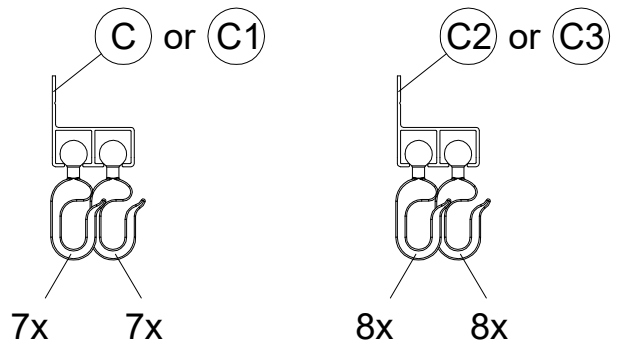
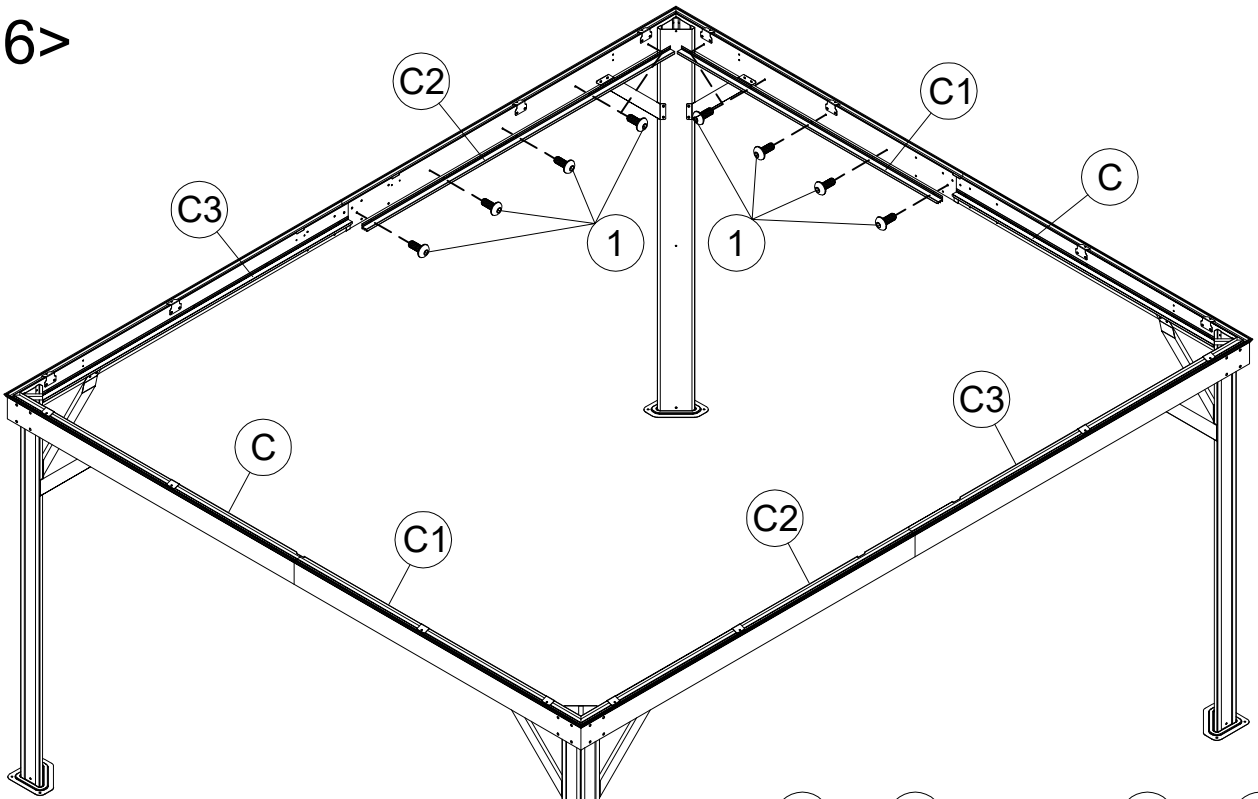
1 32x M6x15

B or B1 or B2 or B3



8

<6>



U 120x



1 40x M6x15

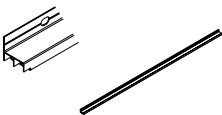
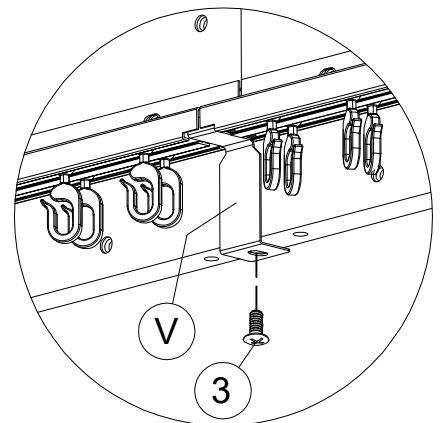
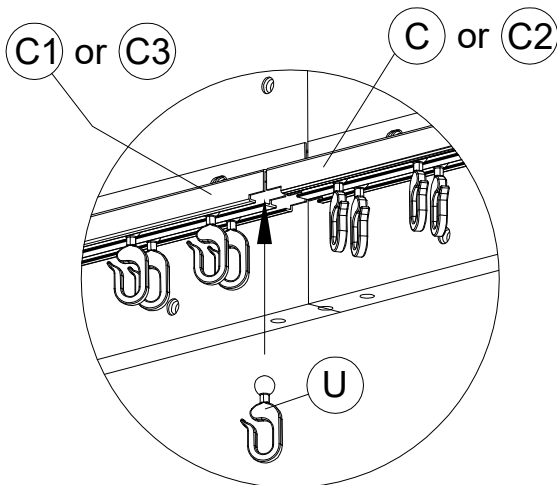


V 4x



3 4x M5x12

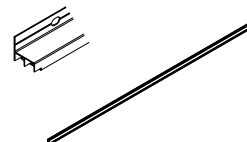
9



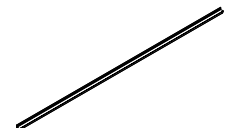
C 2x



C1 2x



C2 2x



C3 2x

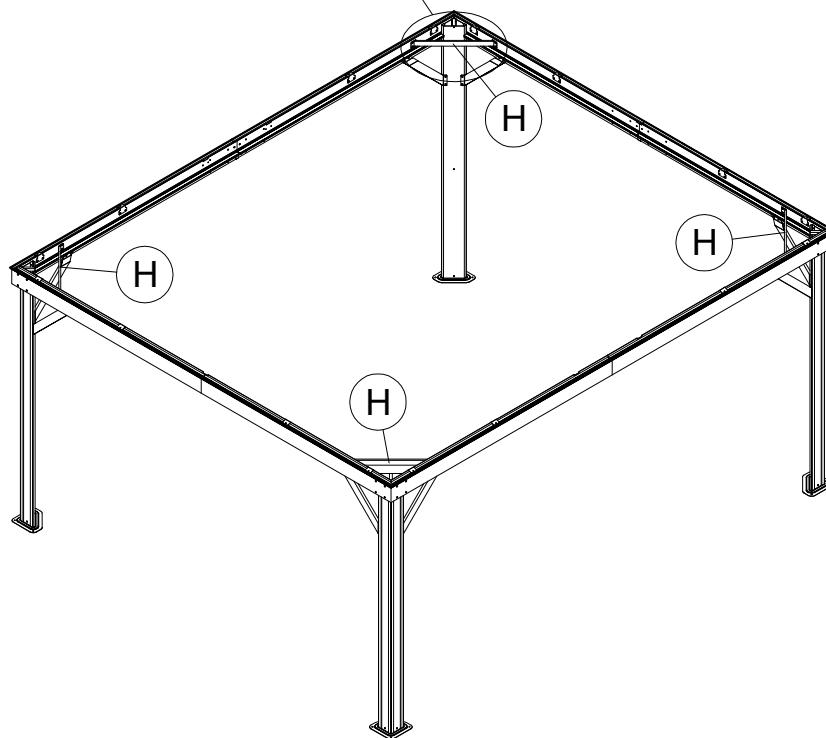
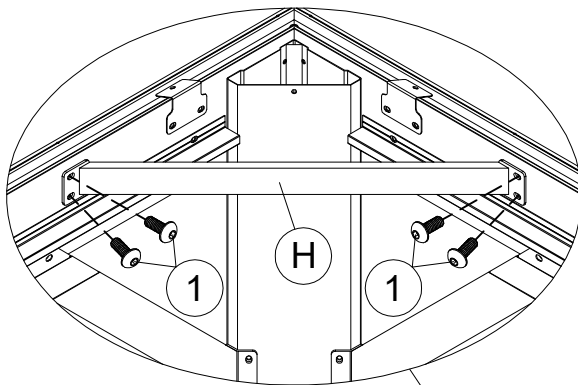


<7>

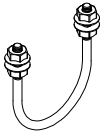
H 4x



M6x15
1 16x

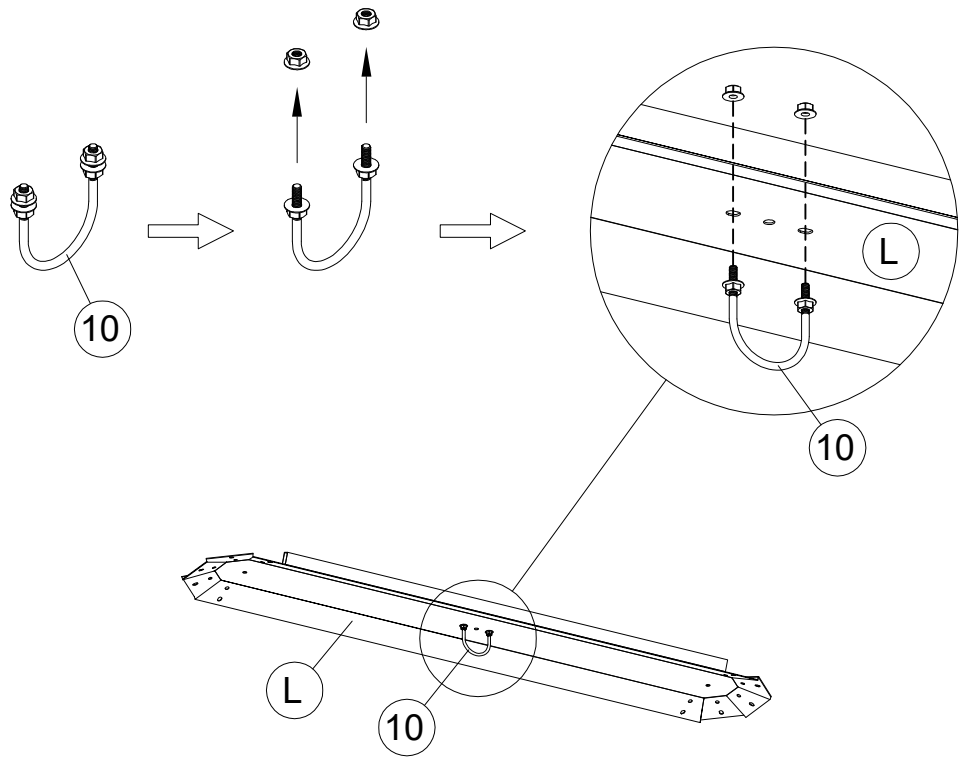


10

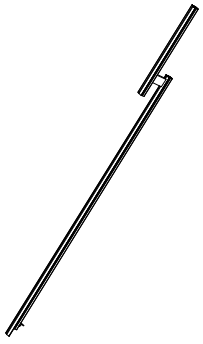


<8>

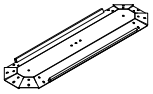
10 1x



<9>



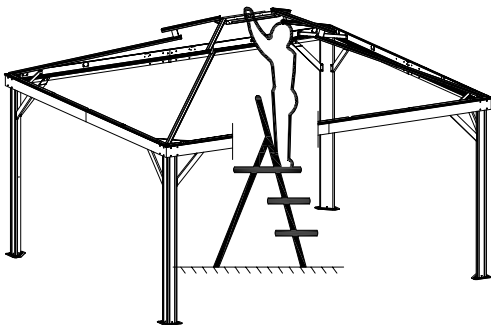
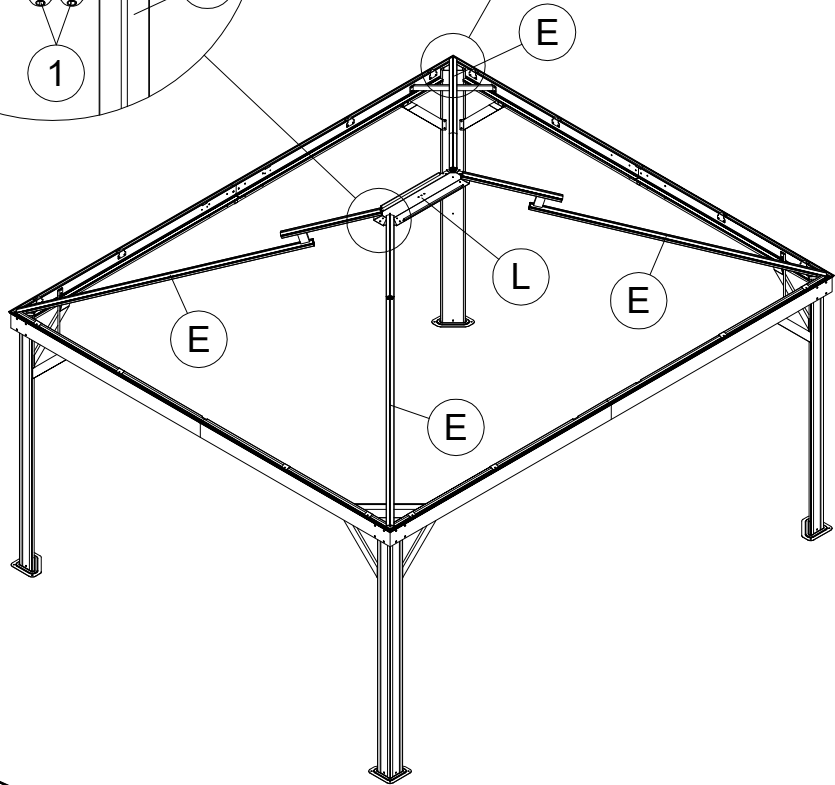
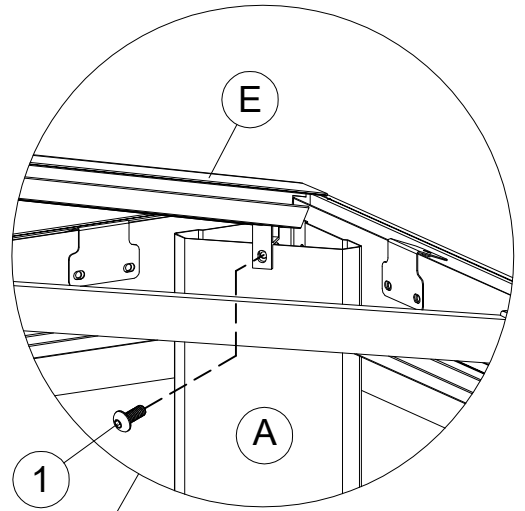
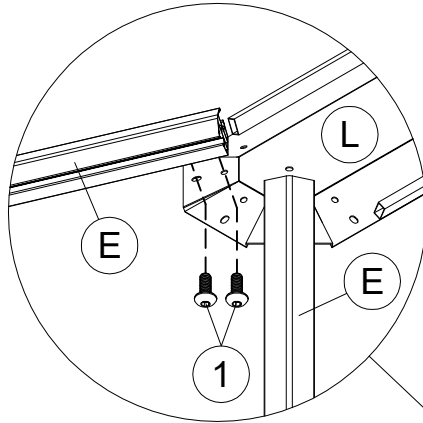
E 4x



L 1x



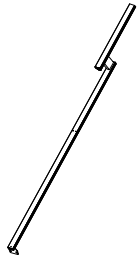
1 12x M6x15



Note:

1. Let one person stand on the ladder to lift " L " and hold, and let others fasten the screws connecting both ends of " E " .

2. Please do not let go of holding " L " until all the " E " screws are installed.

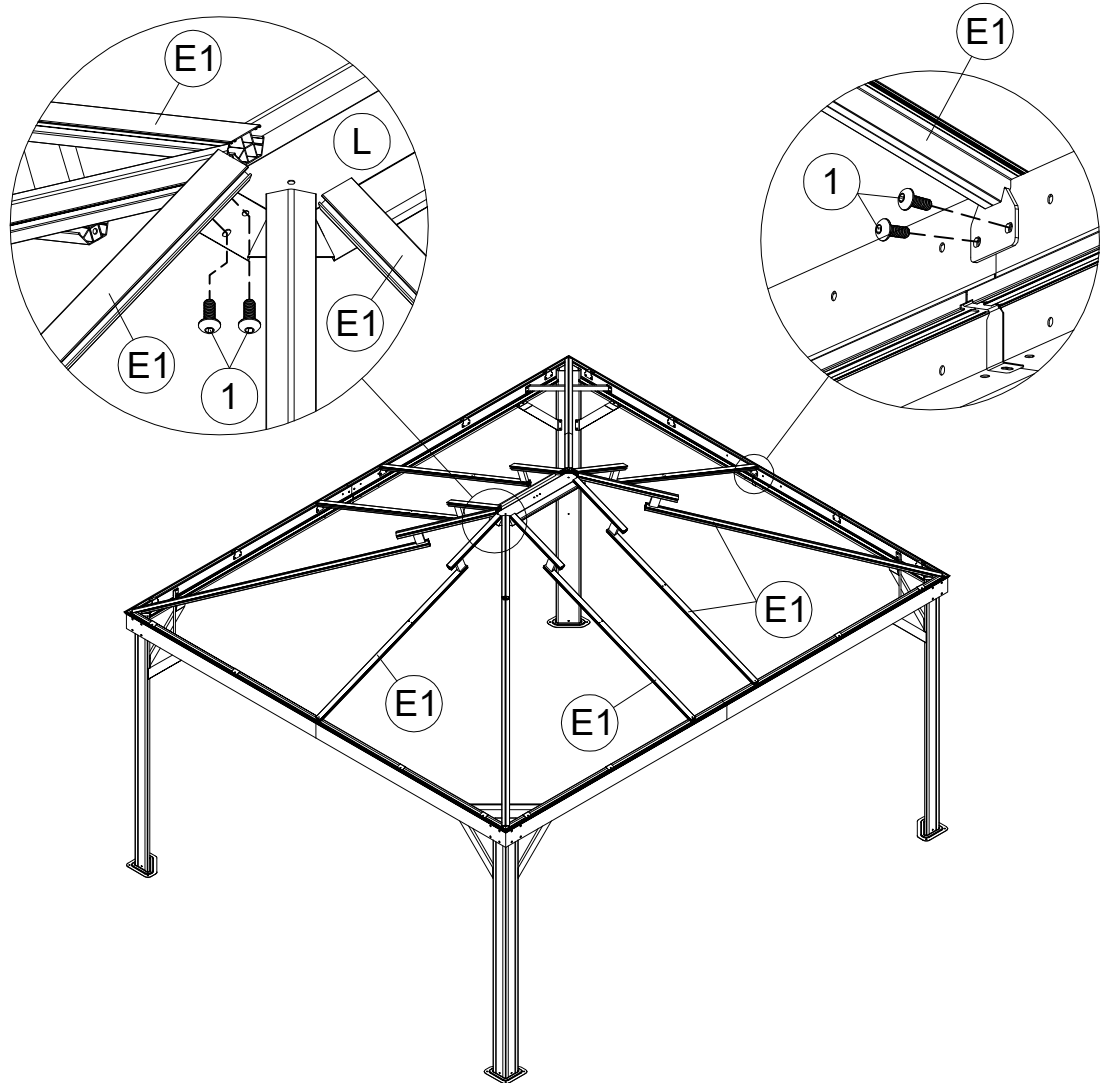


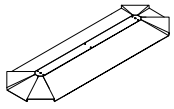
<10>

E1 6x



1 24x M6x15





M 1x



Za 2x

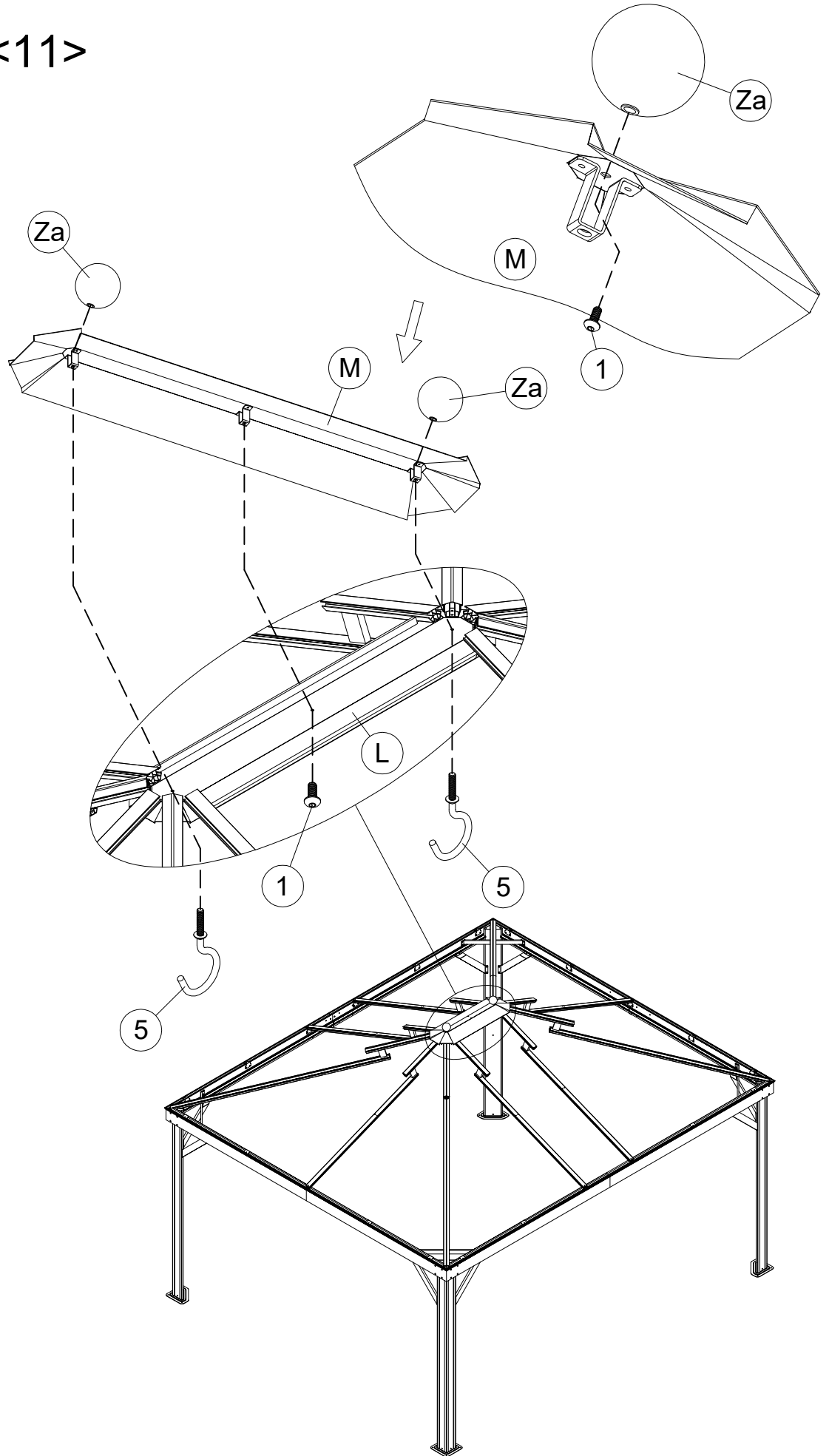


1 3x M6x15



5 2x

<11>



<12>

G3 2x



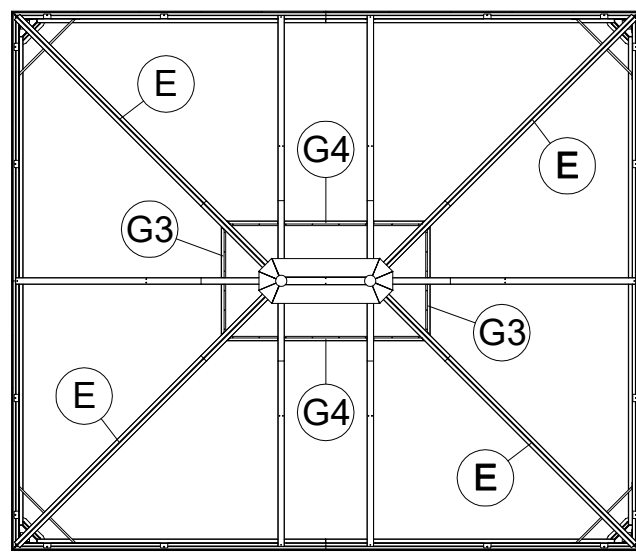
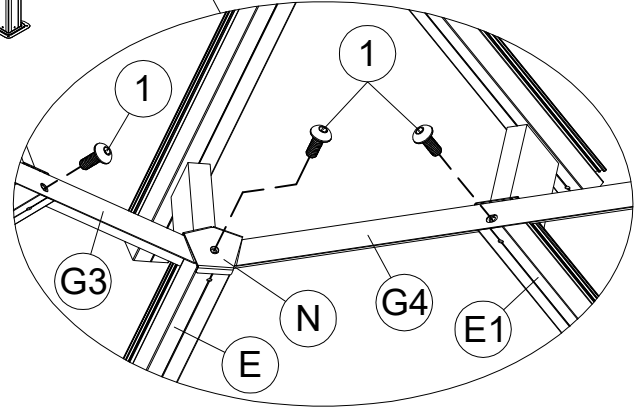
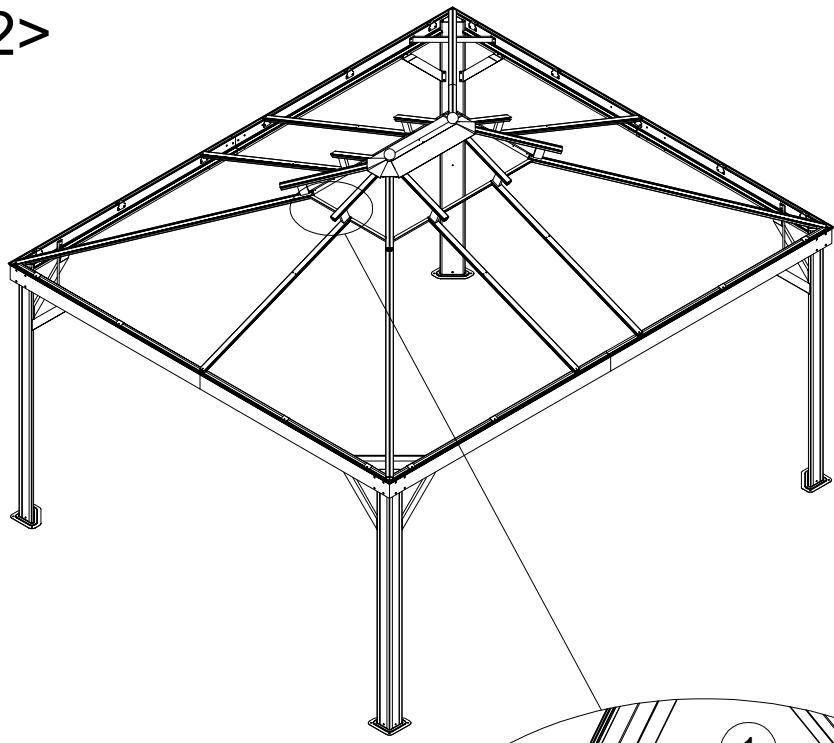
G4 2x



N 4x



1 10x M6x15



<13>



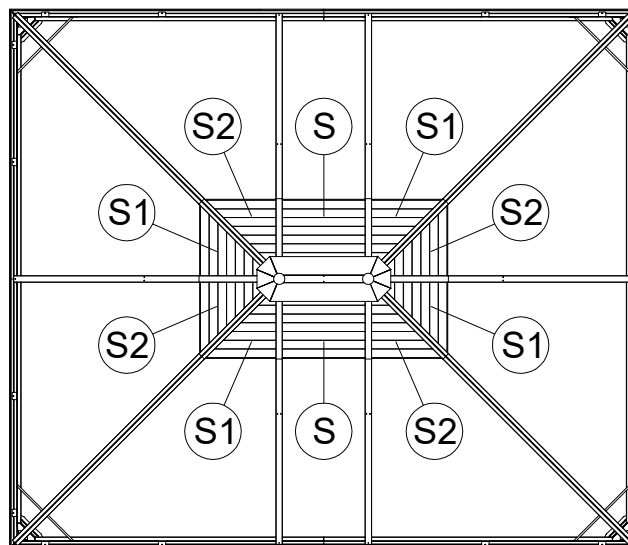
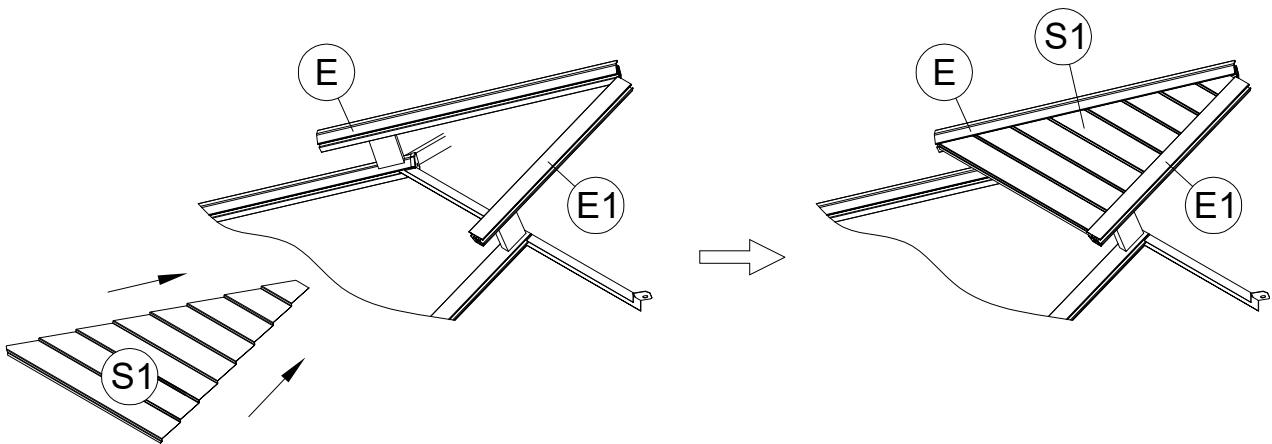
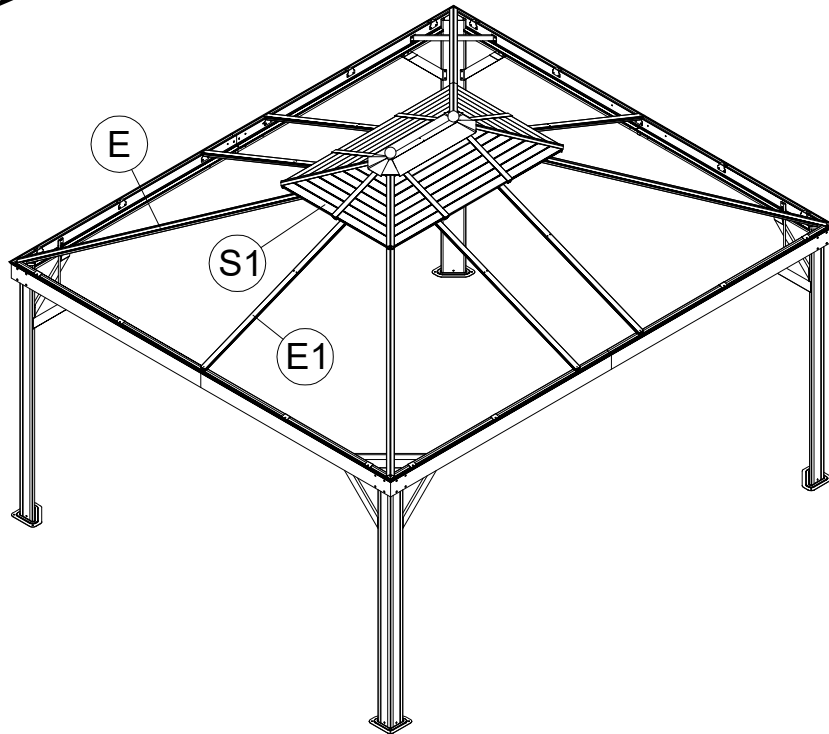
S 2x



S1 4x



S2 4x



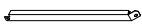
<14>



G 2x



G1 4x



G2 4x



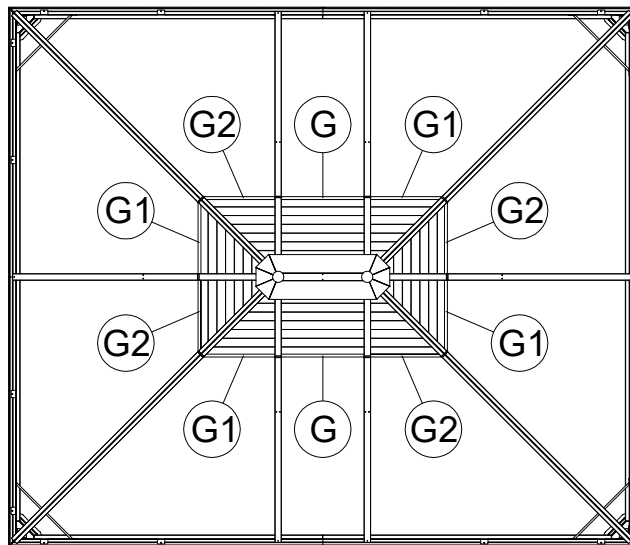
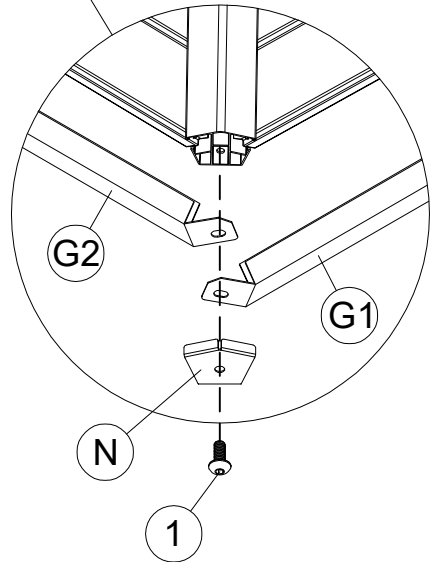
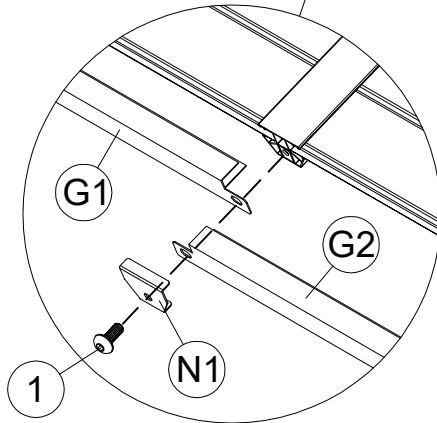
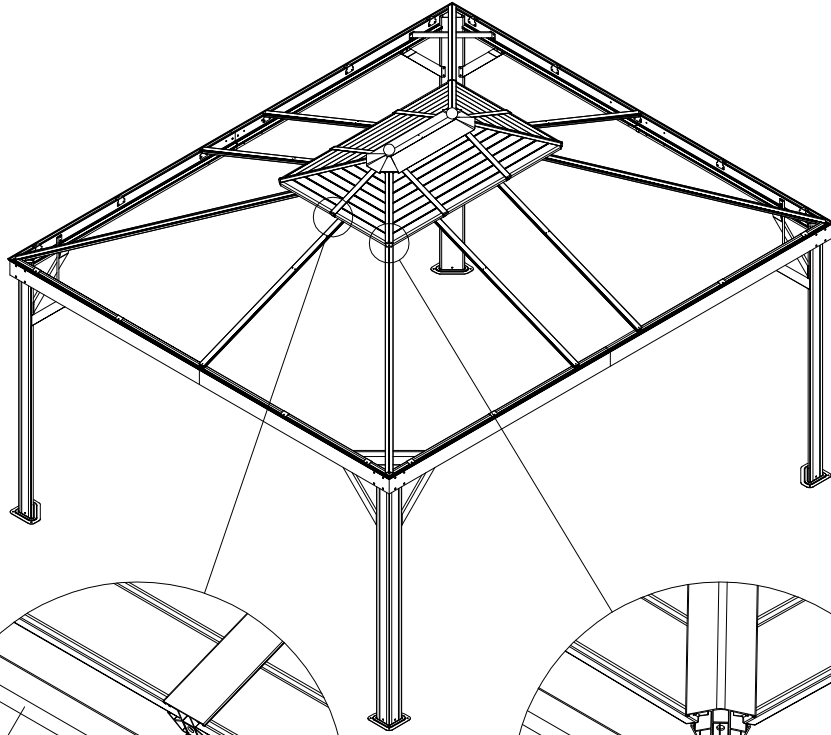
N 4x



N1 6x



1 10x M6x15



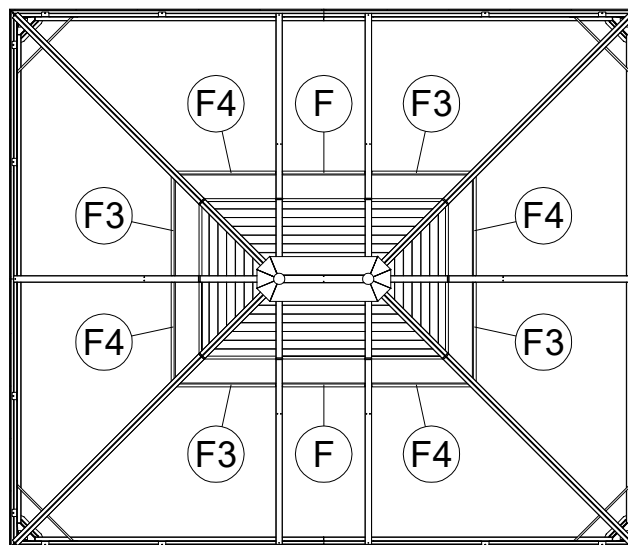
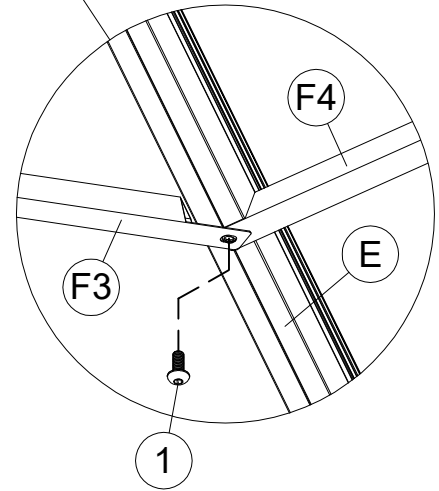
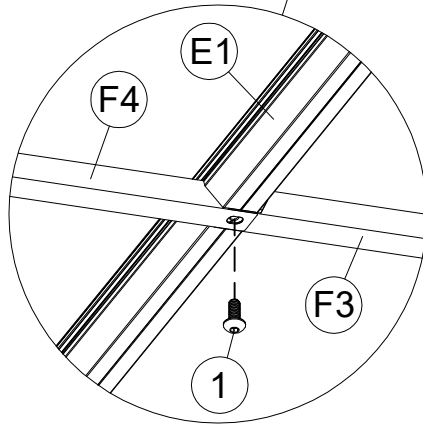
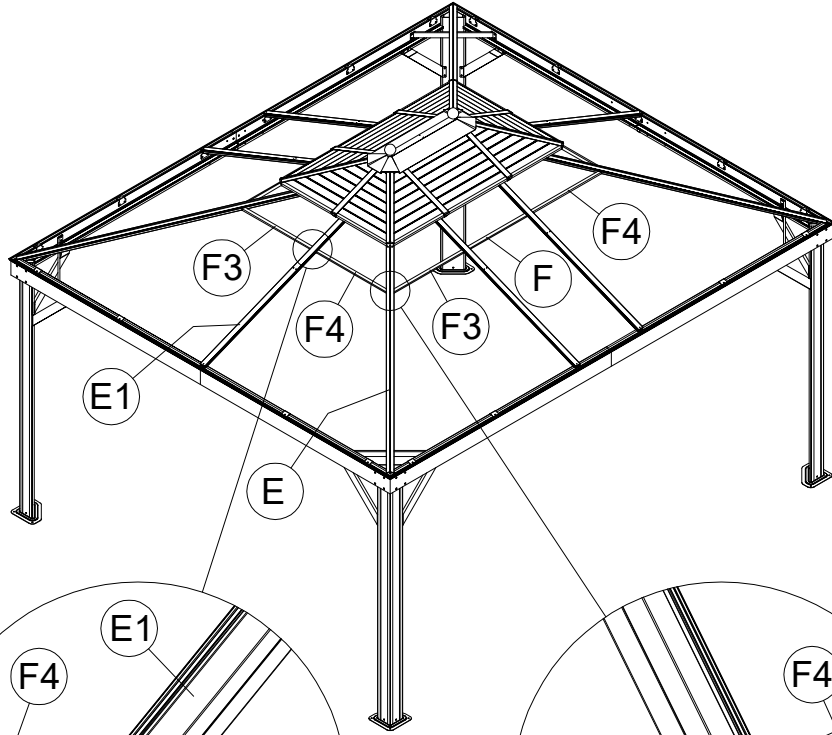
<15>

F 2x

F3 4x

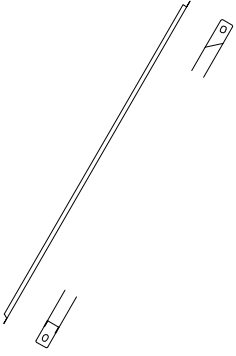
F4 4x

1 10x M6x15

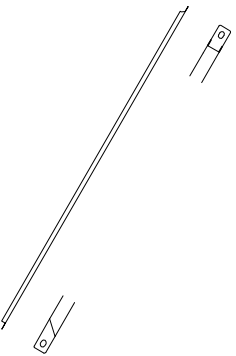


<16>

F 2x



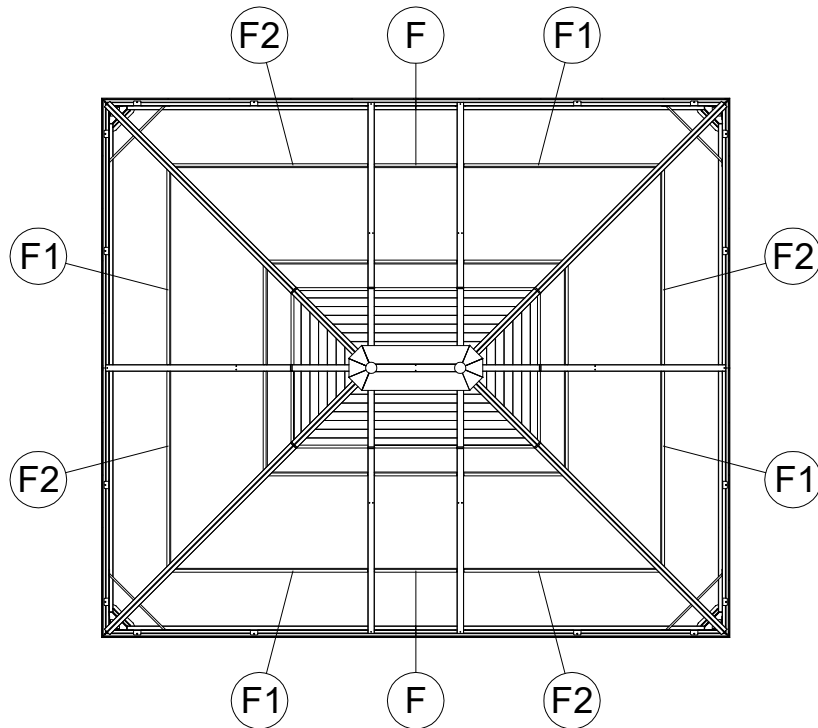
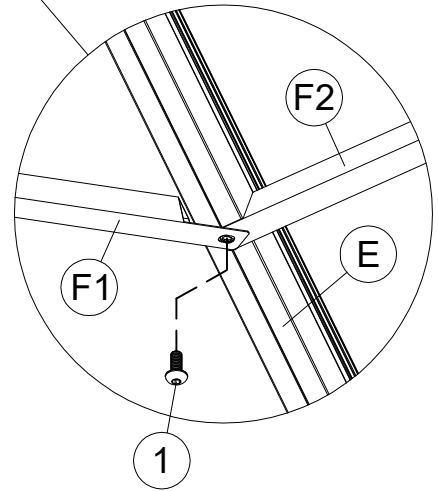
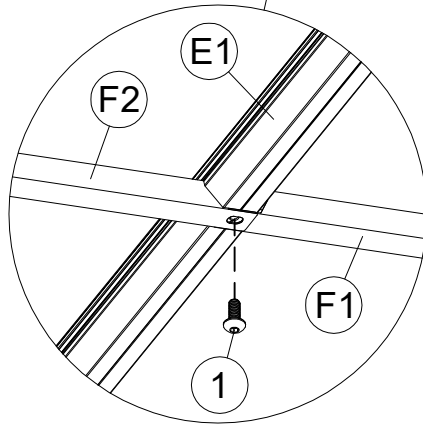
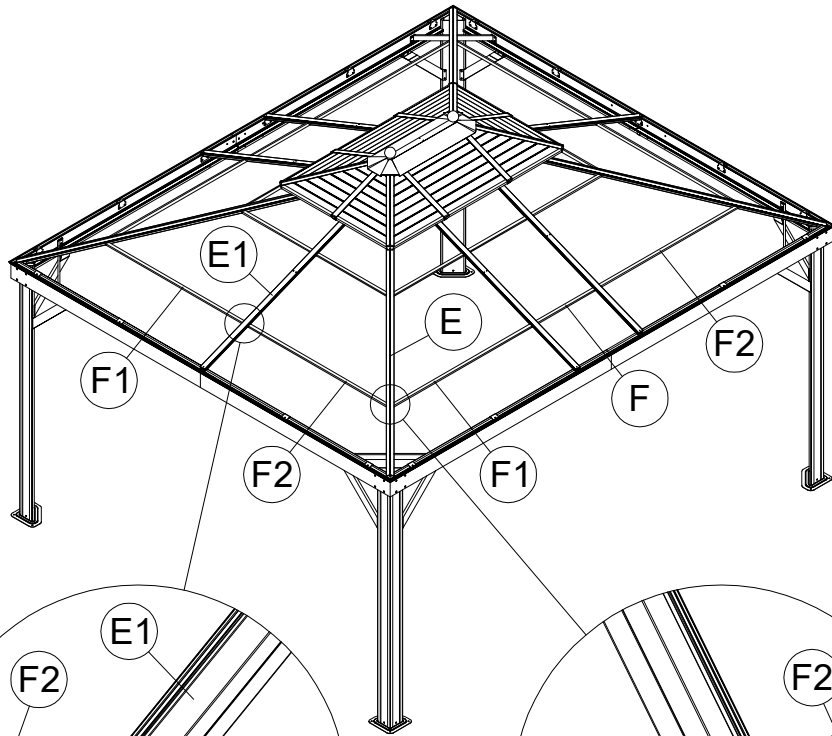
F1 4x



F2 4x

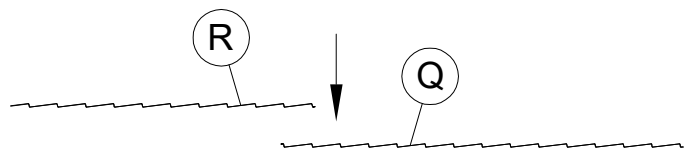
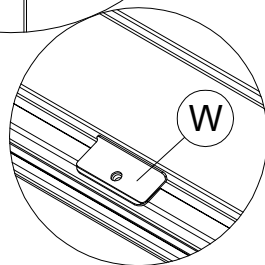
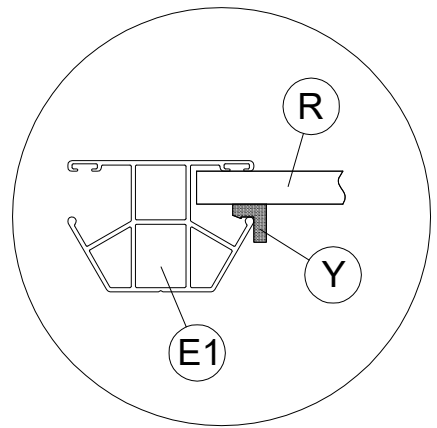
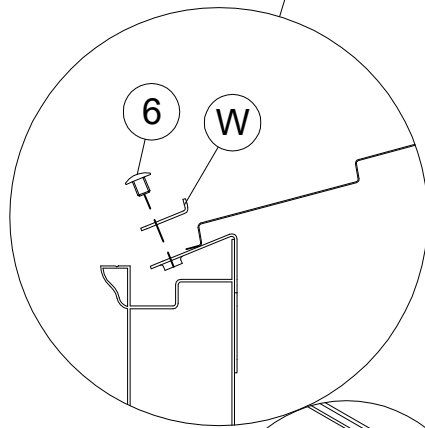
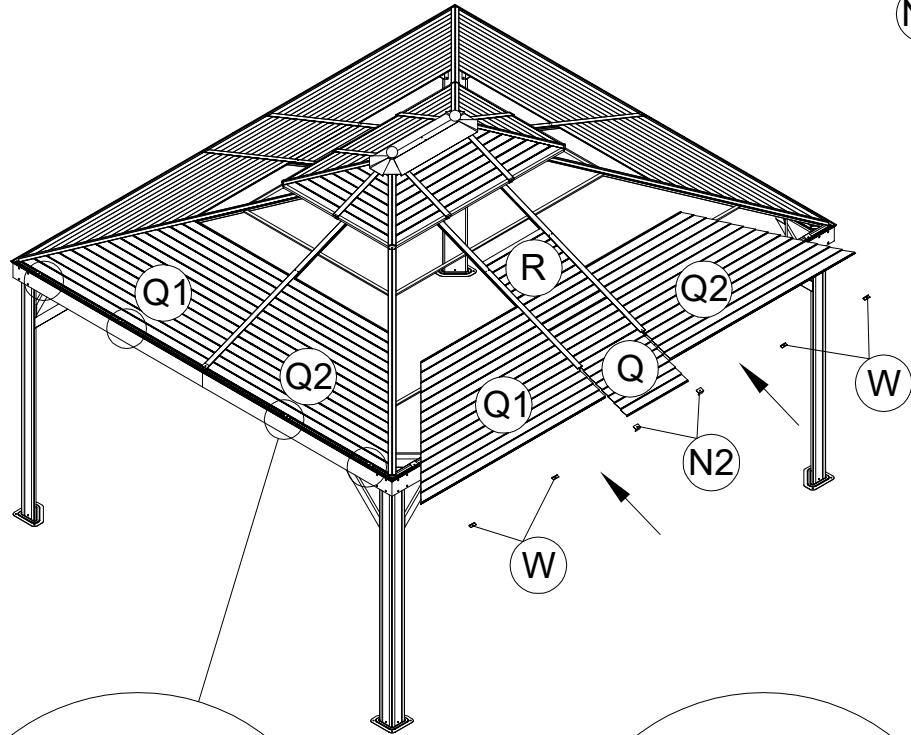
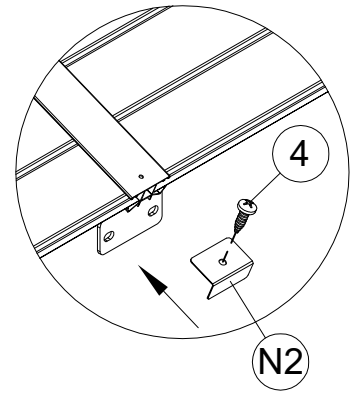
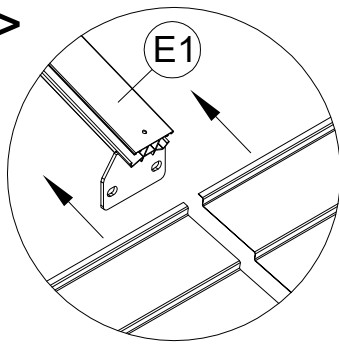


1 10x M6x15

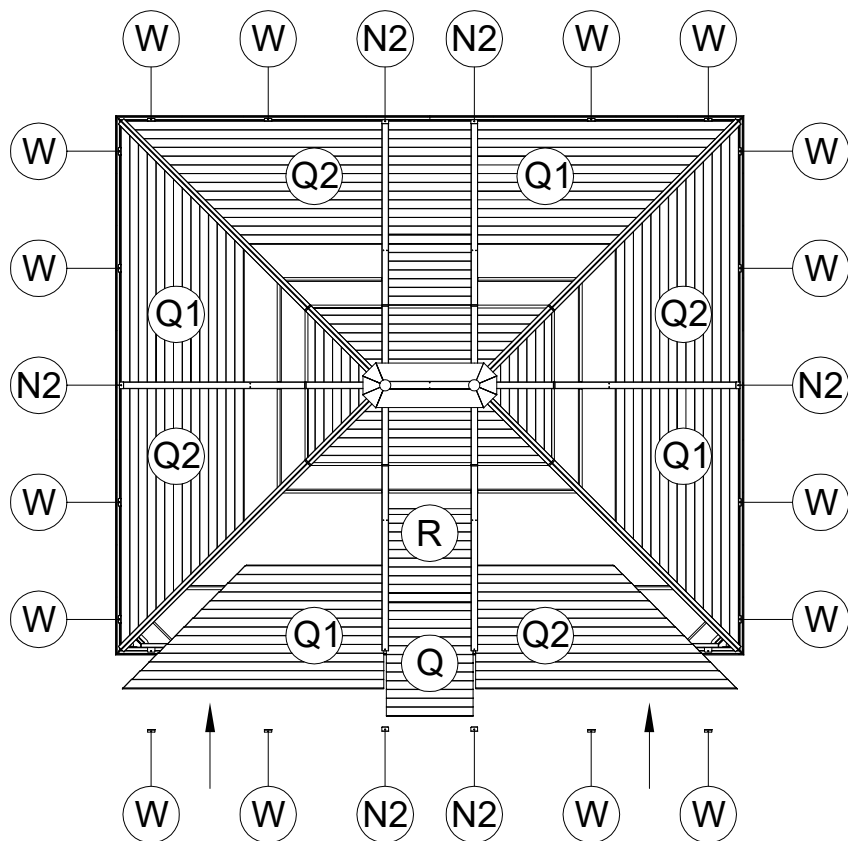
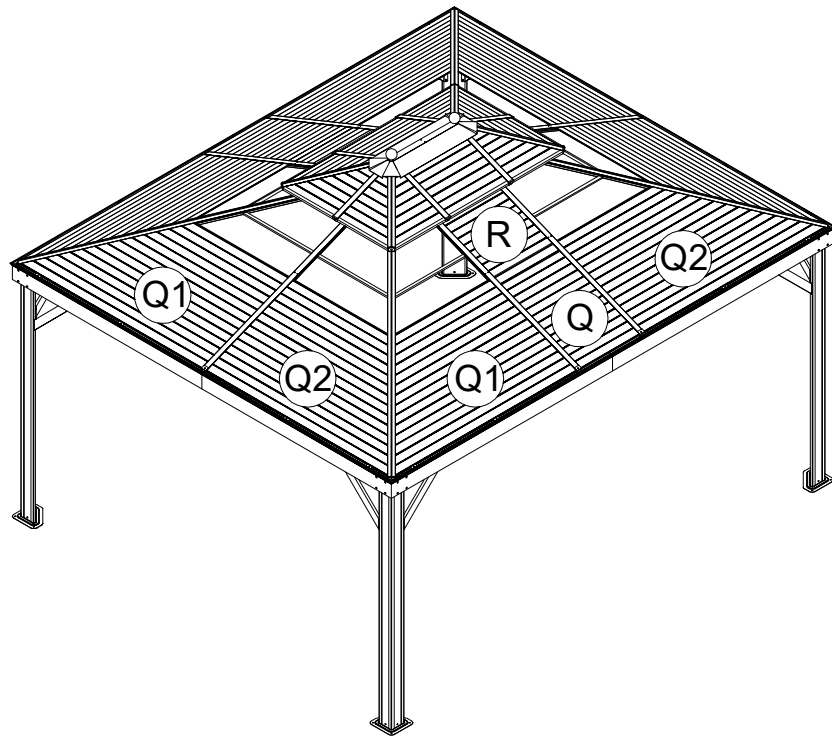


<17>

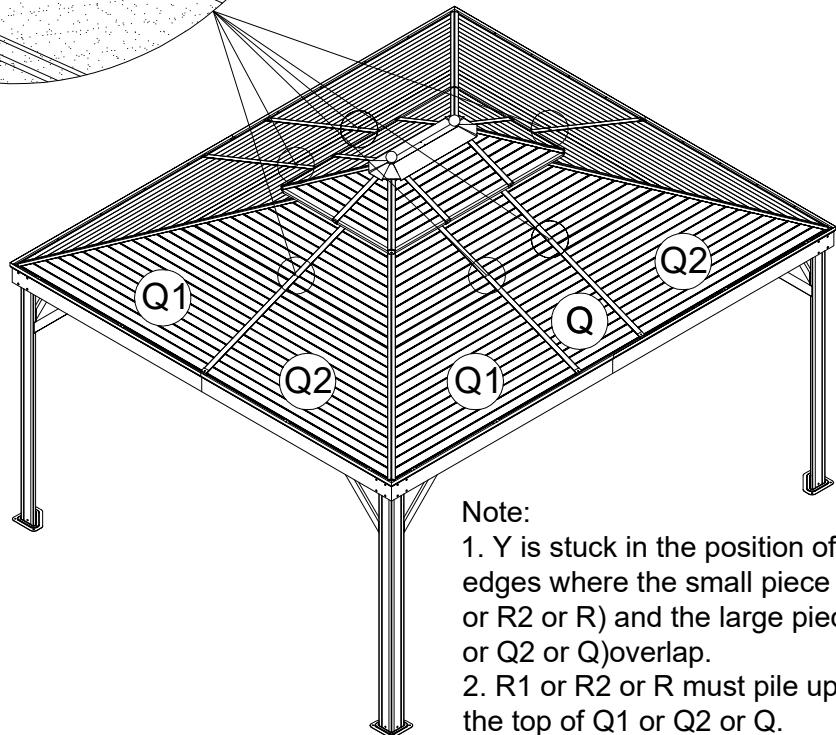
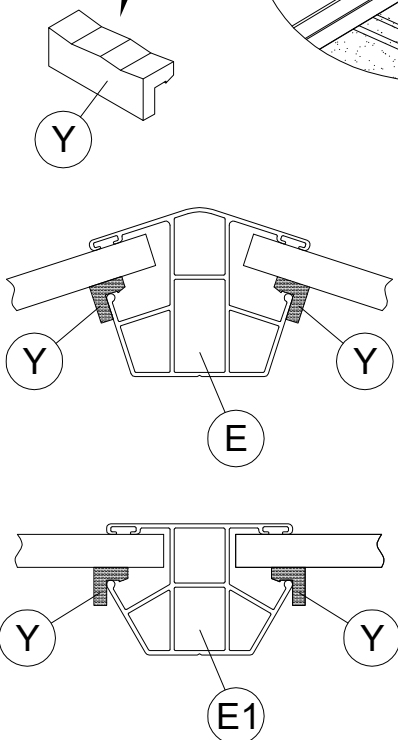
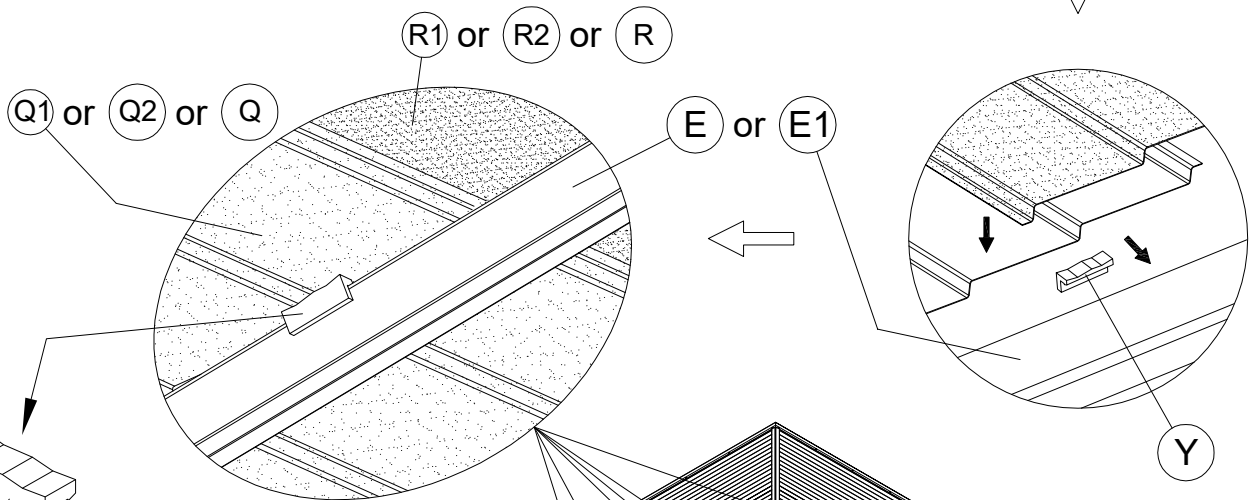
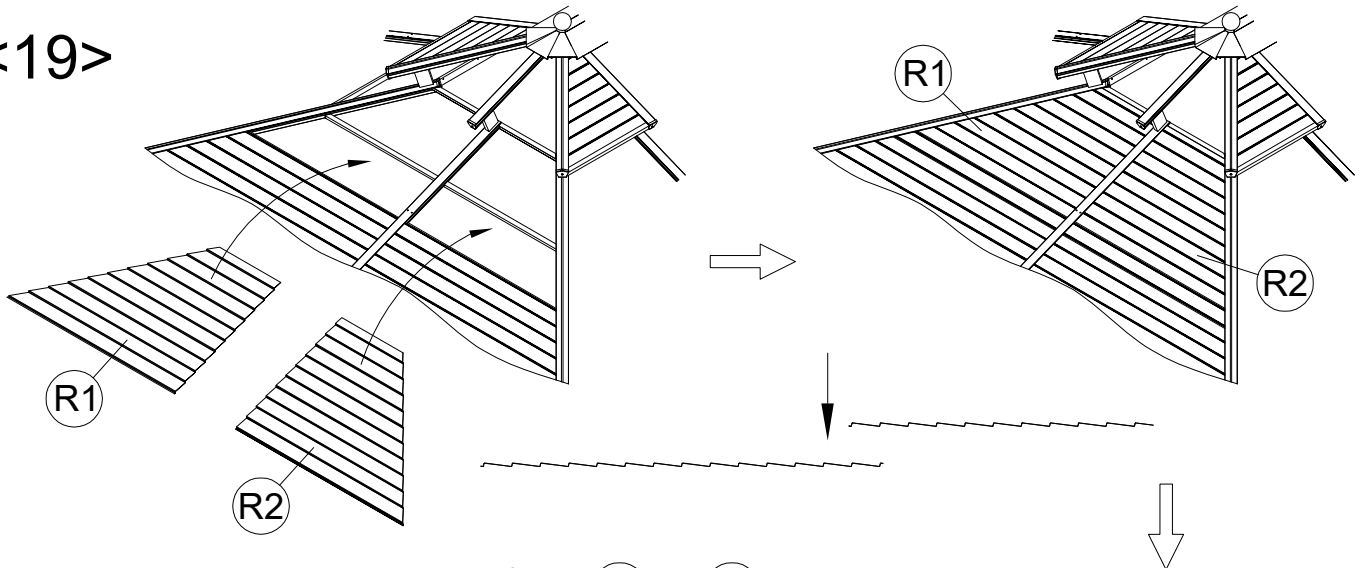
- Q 2x
- Q1 4x
- Q2 4x
- R 2x
- N2 6x
- W 16x
- Y 4x
- 4 ST4.8x12 6x
- 20
- 6 16x M5x6



<18>



<19>



Note:

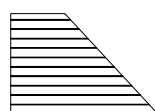
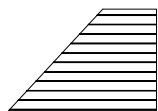
1. Y is stuck in the position of the edges where the small piece (R1 or R2 or R) and the large piece (Q1 or Q2 or Q) overlap.
2. R1 or R2 or R must pile up on the top of Q1 or Q2 or Q.

22

(R1) 4x

(R2) 4x

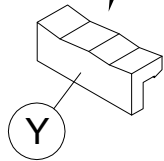
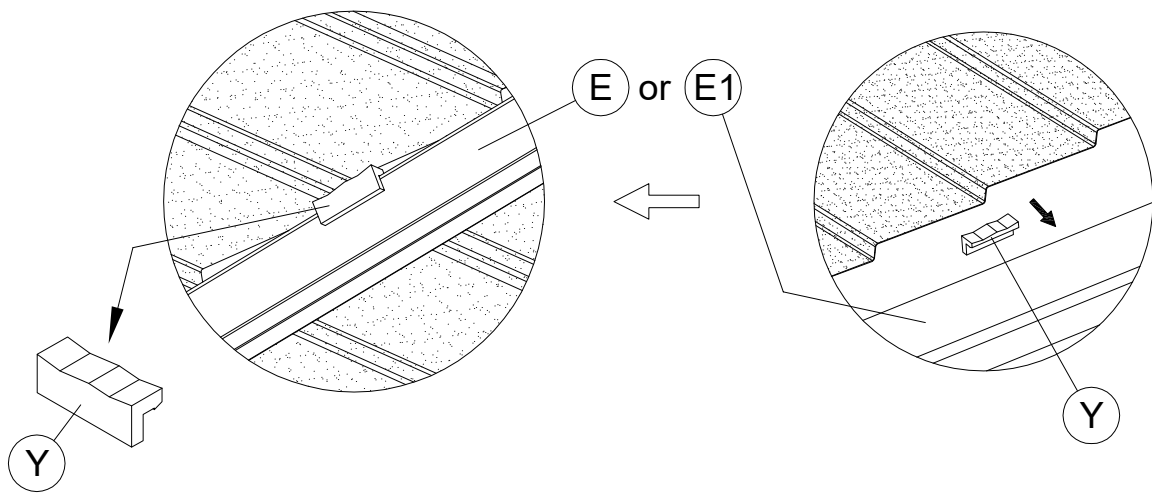
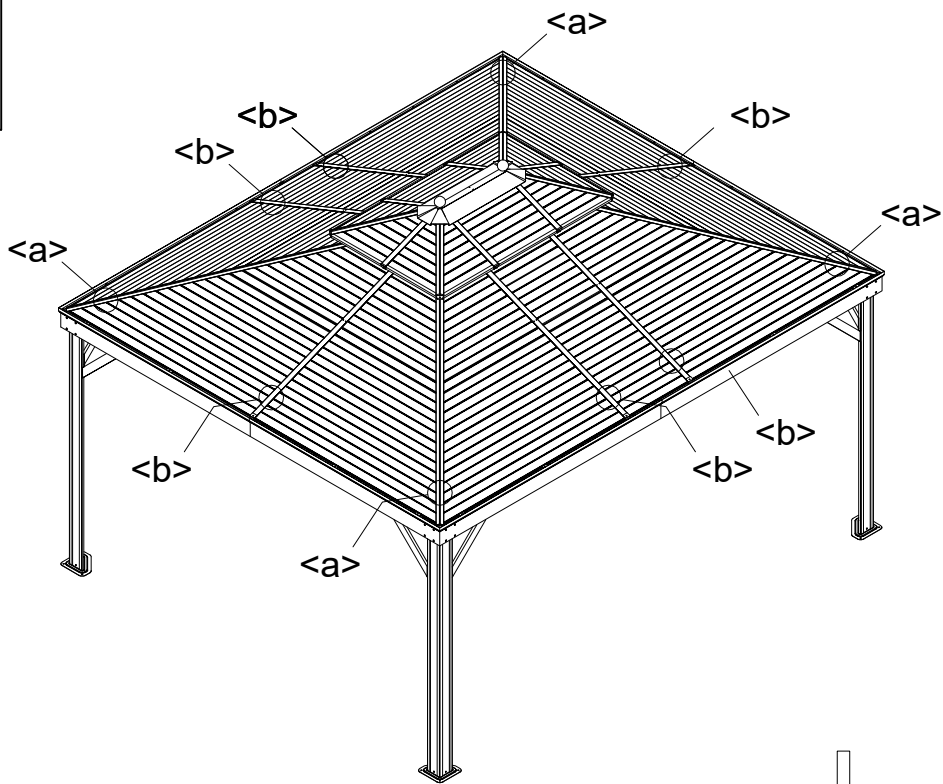
(Y) 16x



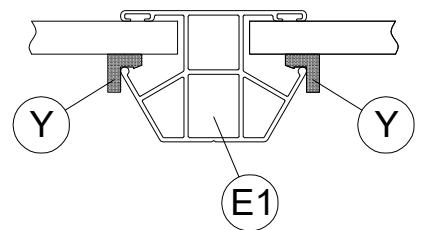
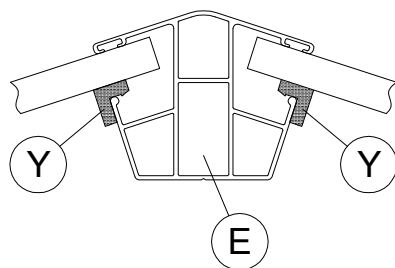


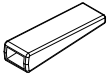
<20>

Y 20x



<a>





<21>

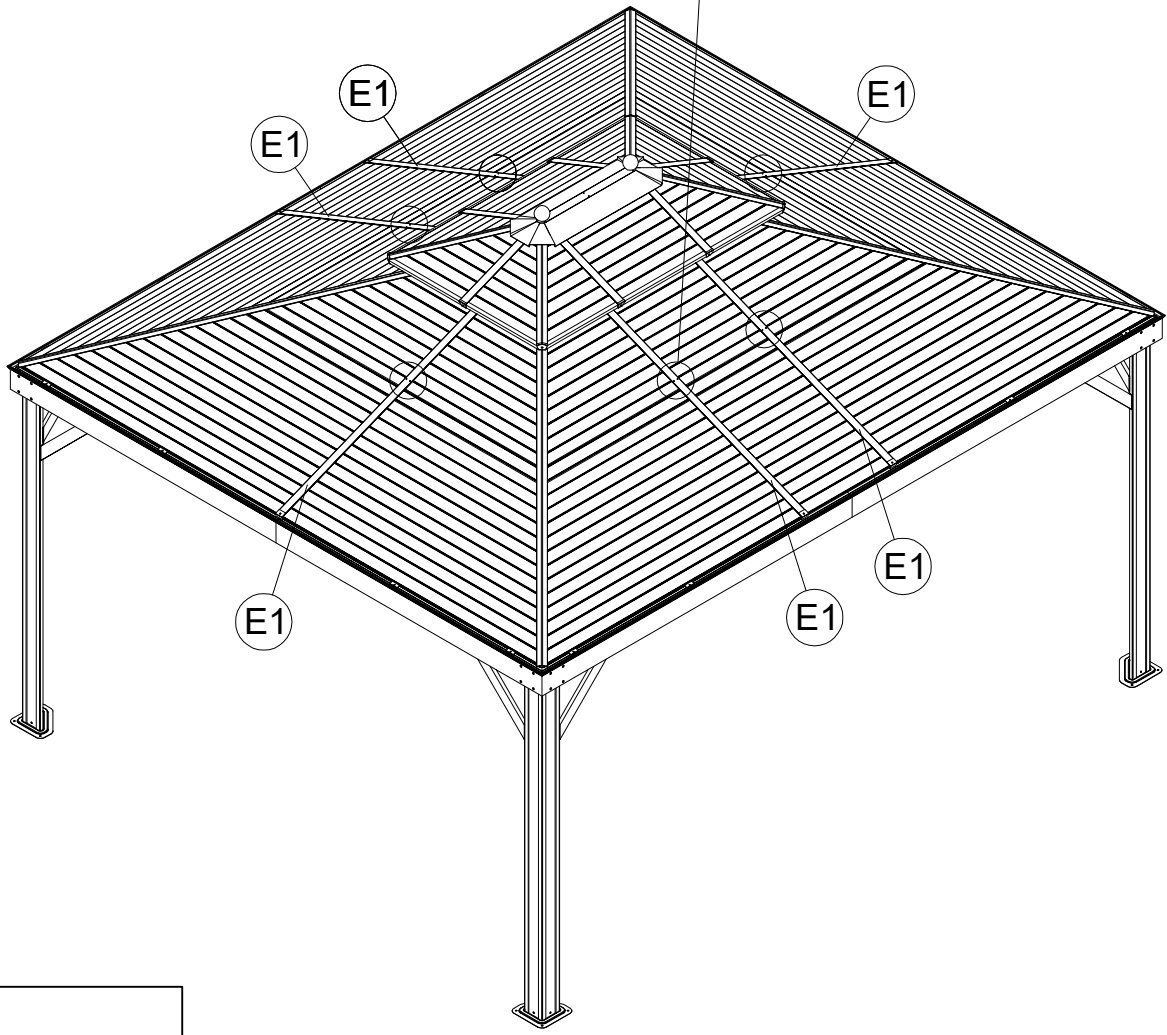
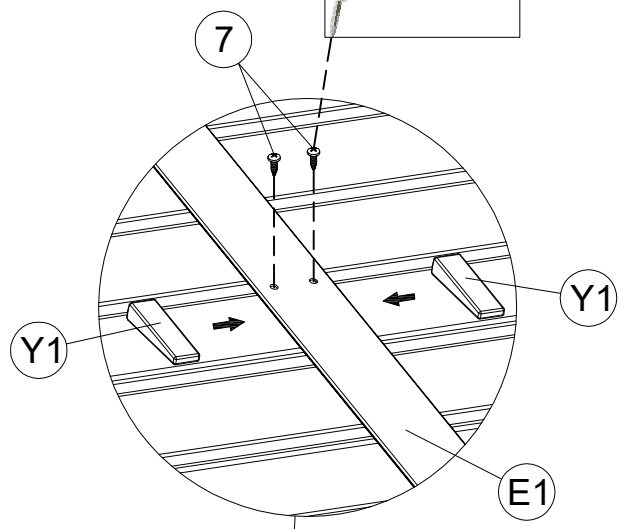
Y1 12x



7 12x ST4x8



Note: pls use power tools to drill the screws.



<22>

D 2x

D1 2x

D2 2x

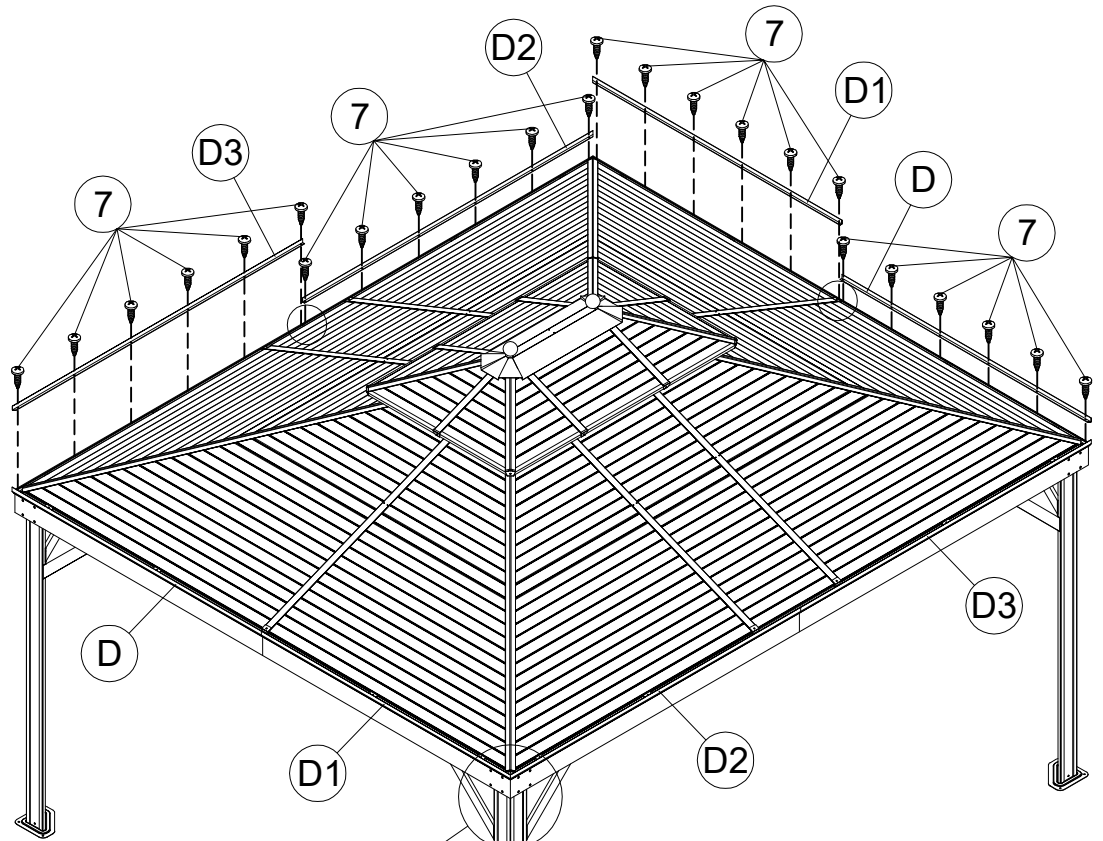
D3 2x

K 4x

4 ST4.8x12
8x

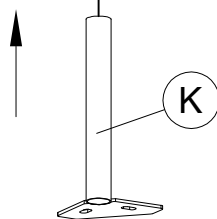
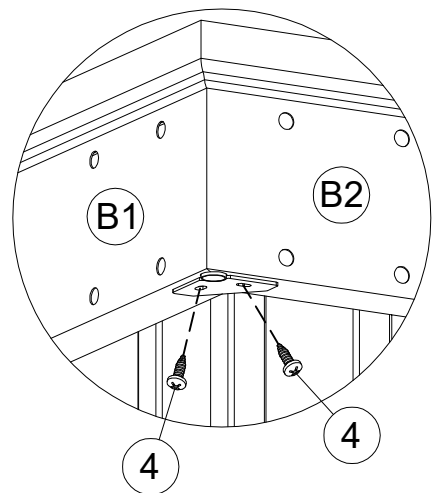
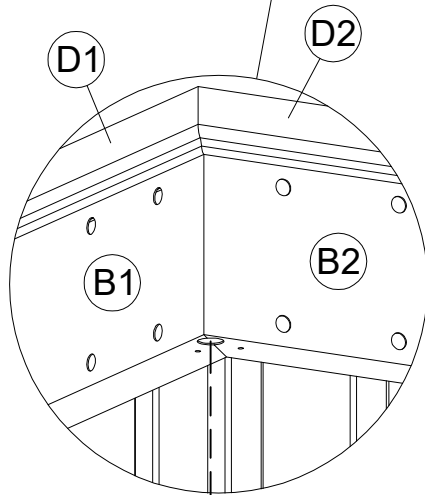
7 ST4x8
48x

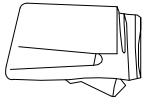
25



D or D1 or D2 or D3

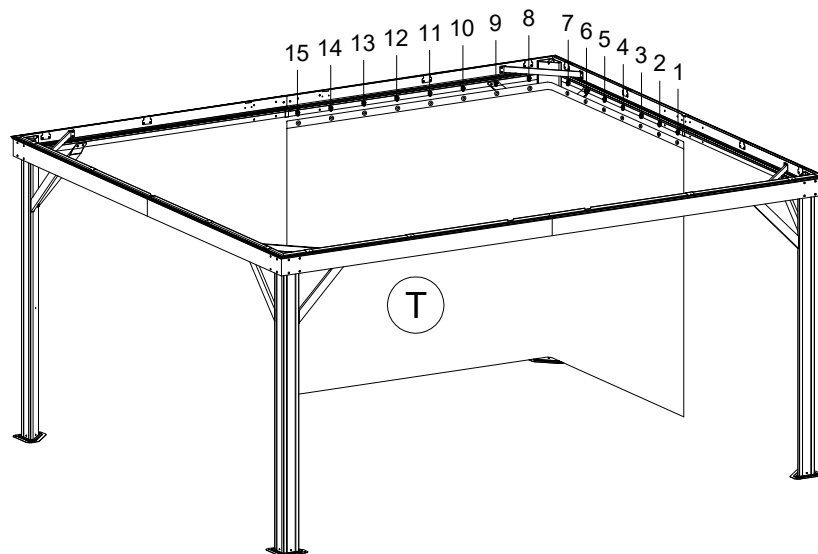
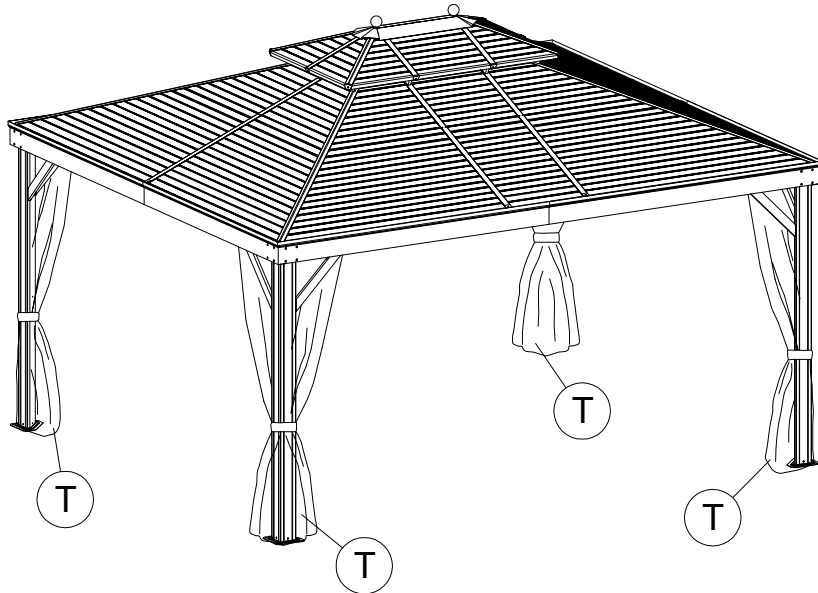
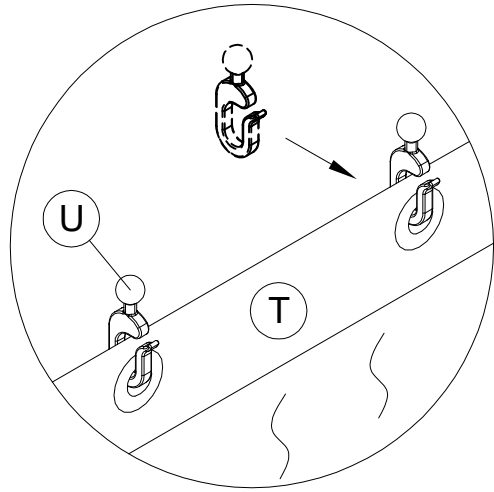
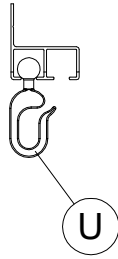
B or B1 or B2 or B3

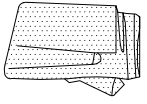




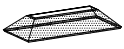
<23>

T 4x



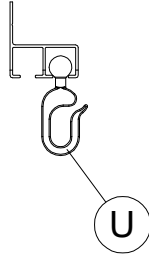


+

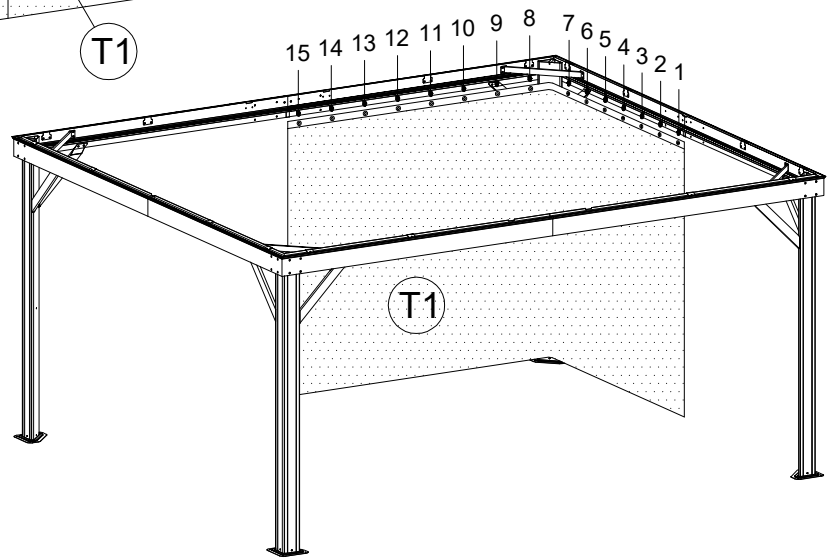
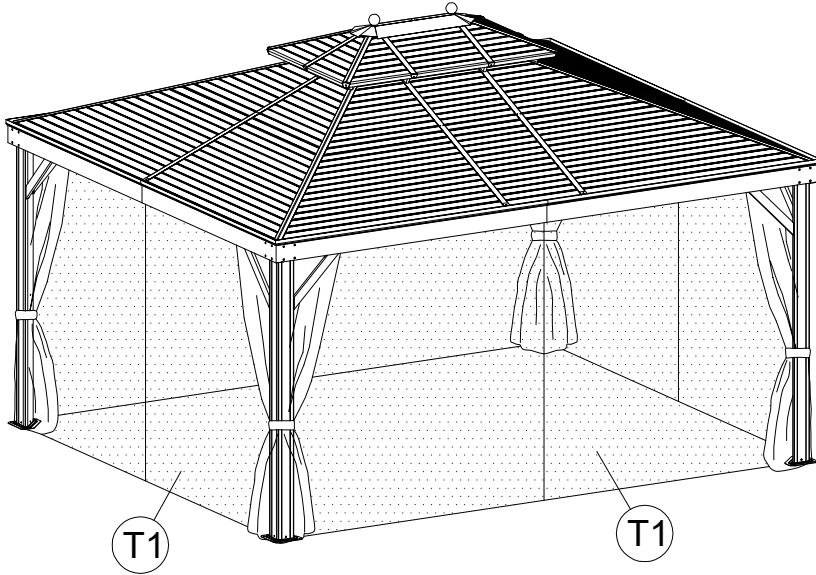
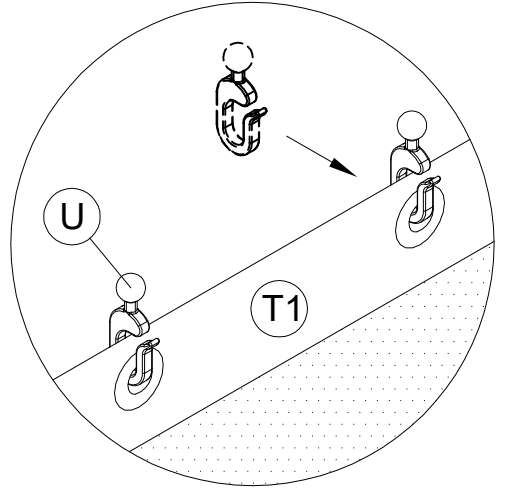


T1 4x + 1x

<24>



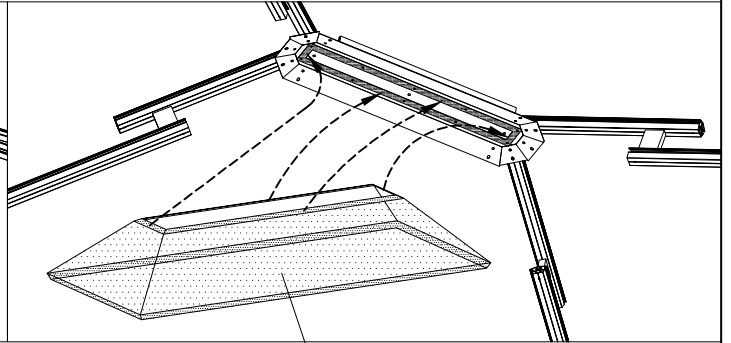
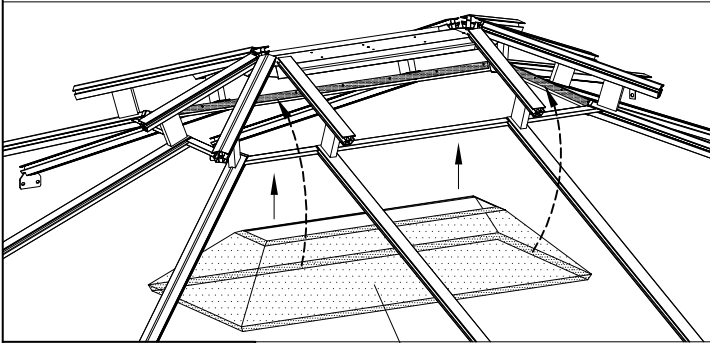
3



1



2



27

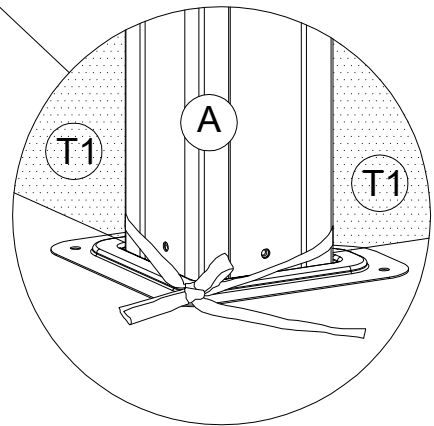
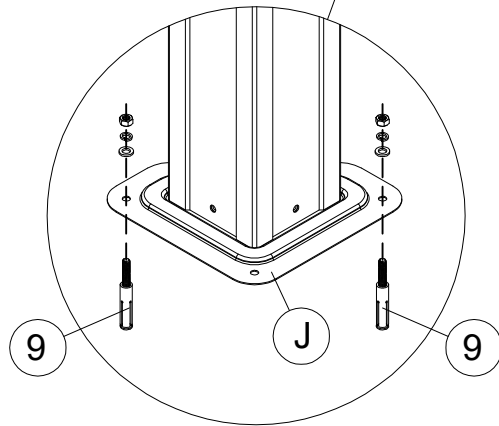
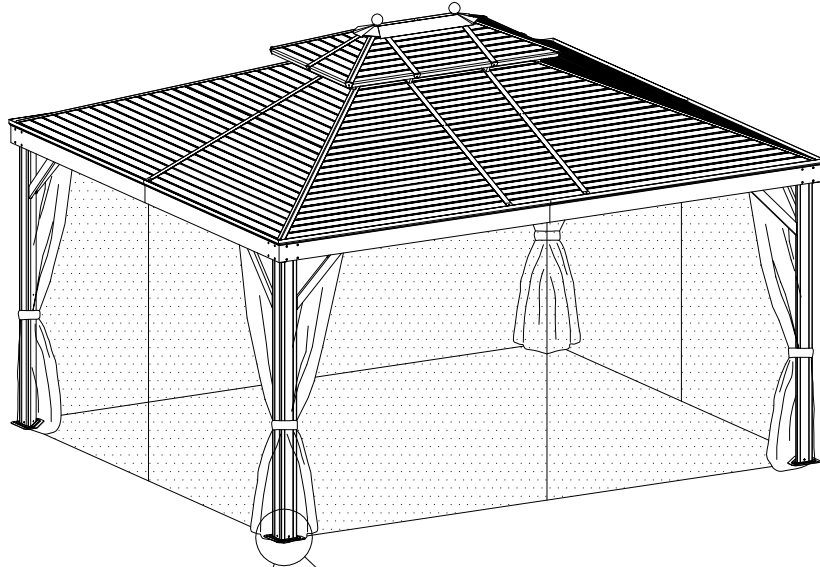
T1

T1



<25>

9 12x



Carton-1/6		Carton-4/6		Carton-5/6	
Part	Qty	Part	Qty	Part	Qty
A	4	E	4	Q	2
		E1	6	Q1	4
		F	4	Q2	4
		F1	4		
		F2	4		
Carton-2/6		F3	4		
Part	Qty	F4	4		
B2	2	G	2		
B3	2	G1	4	Carton-6/6	
		G2	4	Part	Qty
		G3	2	R	2
		G4	2	R1	4
Carton-3/6		H	4	R2	4
Part	Qty	H1	4	S	2
B	2	H2	4	S1	4
B1	2	J	4	S2	4
		K	4		
		L	1		
		M	1		
Carton-4/6		P	4		
Part	Qty	T	4		
C	2	T1	4 + 1		
C1	2	W1	16		
C2	2	Za	2		
C3	2	N.N1.N2.U.V.	1		
D	2	W.Y.Y1.9.10			
D1	2	1.2.3.4.5.6.7	1		
D2	2				
D3	2				