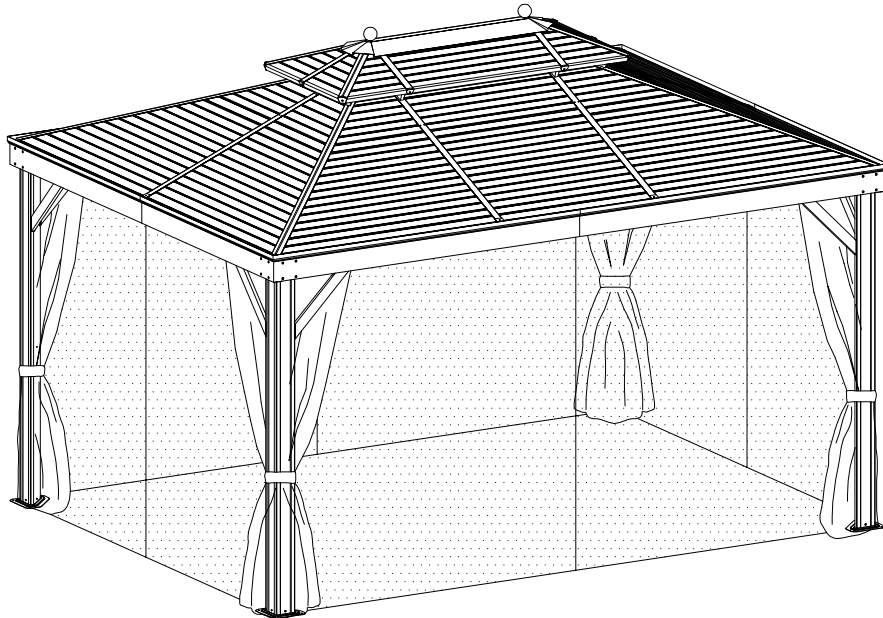
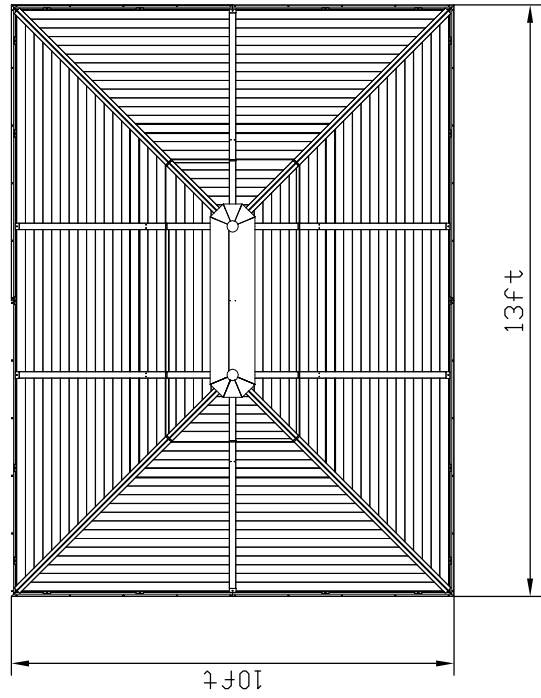
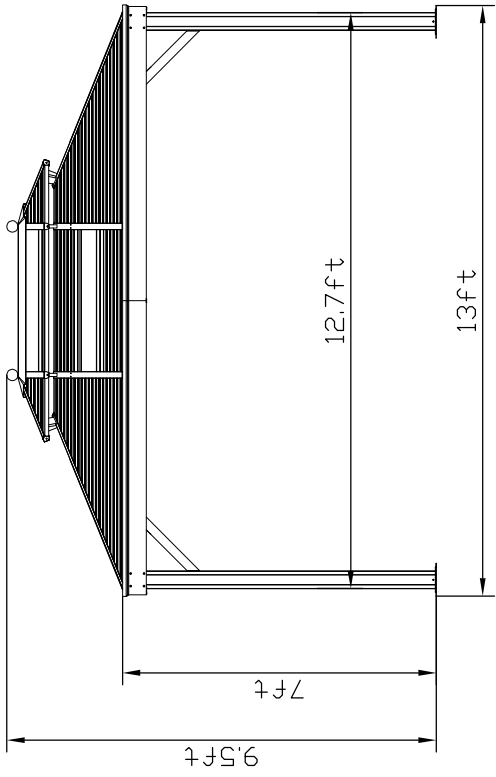
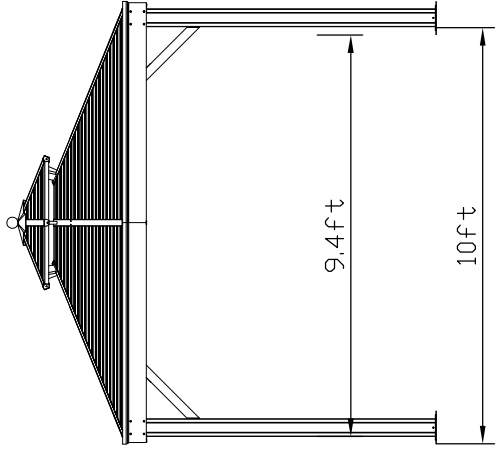

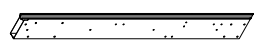
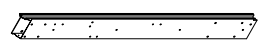
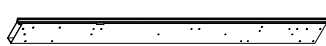
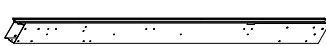










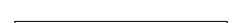








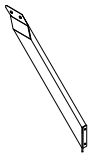
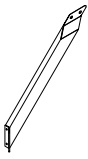


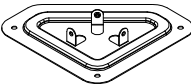

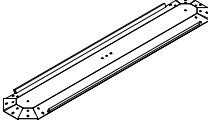
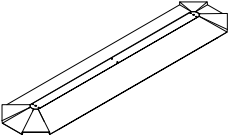


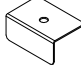
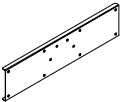
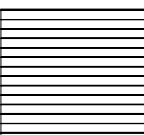
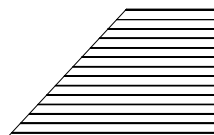
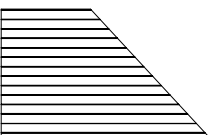
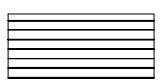
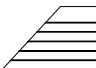
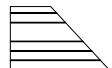
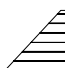
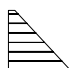
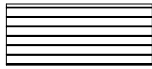

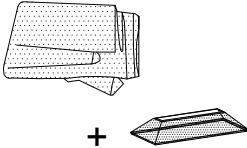





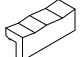
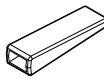
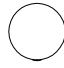

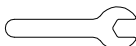
3 x 4 M

□ □ □ □ □ □ □ □ HWG - 056 □ □ □ □ □ □ □ □





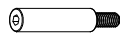
			
(A) 4x	(B) 2x	(B1) 2x	
			
(B2) 2x	(B3) 2x	(C) 2x	
			
(C1) 2x	(C2) 2x	(C3) 2x	
			
(D) 2x	(D1) 2x	(D2) 2x	
			
(D3) 2x	(E) 4x	(E1) 6x	
			
(F) 2x	(F1) 4x	(F2) 4x	(G) 2x
			
(G1) 4x	(G2) 4x	(G4) 2x	
			
(G3) 2x	(H) 4x	(H1) 4x	(H2) 4x

			
(J) 4x	(K) 4x	(L) 1x	(M) 1x
			
(N) 8x	(N1) 6x	(N2) 6x	(P) 4x
			
(Q) 2x	(Q1) 4x	(Q2) 4x	(R) 2x
			
(R1) 4x	(R2) 4x	(S1) 4x	(S2) 4x
		 + 	
(S) 2x	(T) 4x	(T1) 4x + 1x	(U) 112x
			
(V) 4x	(W) 18x	(W1) 18x	(Y) 20x
		 1x	
(Y1) 12x	(Za) 2x	 1x	



M6x15

① 233x



② 32x



M5x12

③ 12x



ST4.8x12

④ 14x



⑤ 2x



M5x6

⑥ 18x

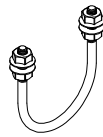


ST4x8

⑦ 56x



⑨ 12x

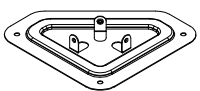
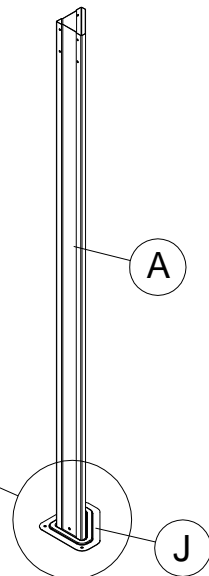
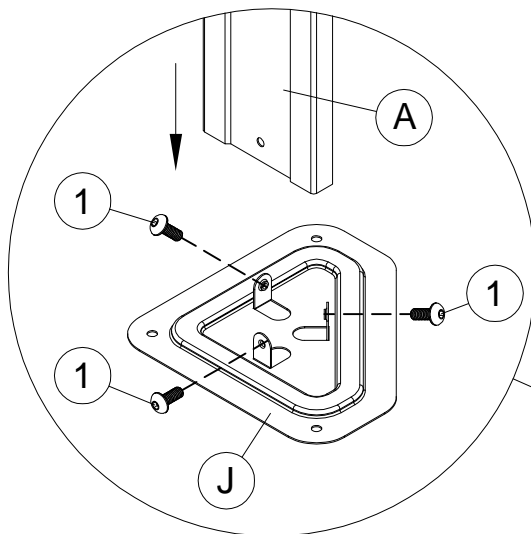


⑩ 1x



① 4x

<1>



① 4x

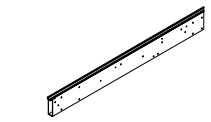


M6x15

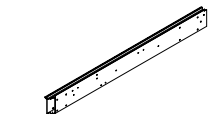
① 12x

4

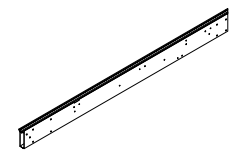
<2>



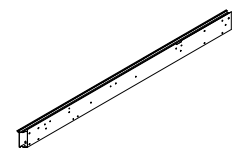
B 2x



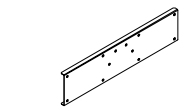
B1 2x



B2 2x



B3 2x



P 4x

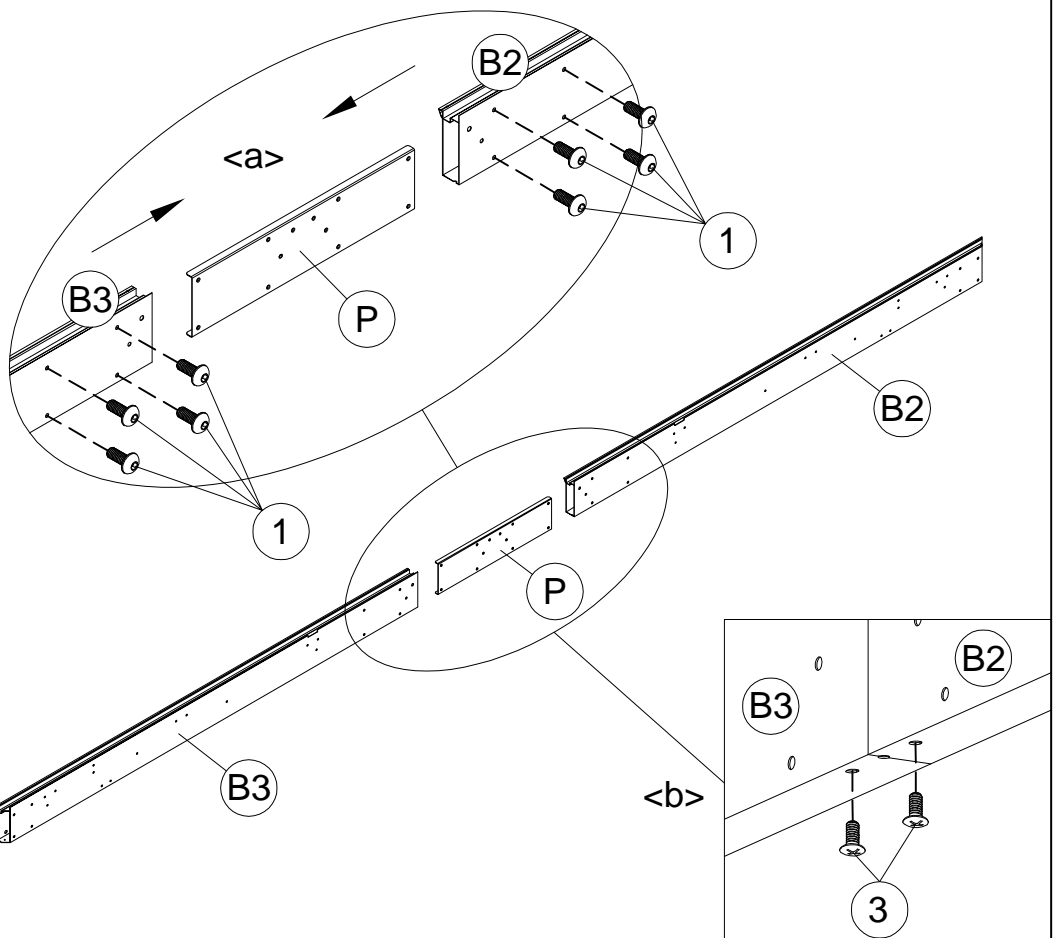
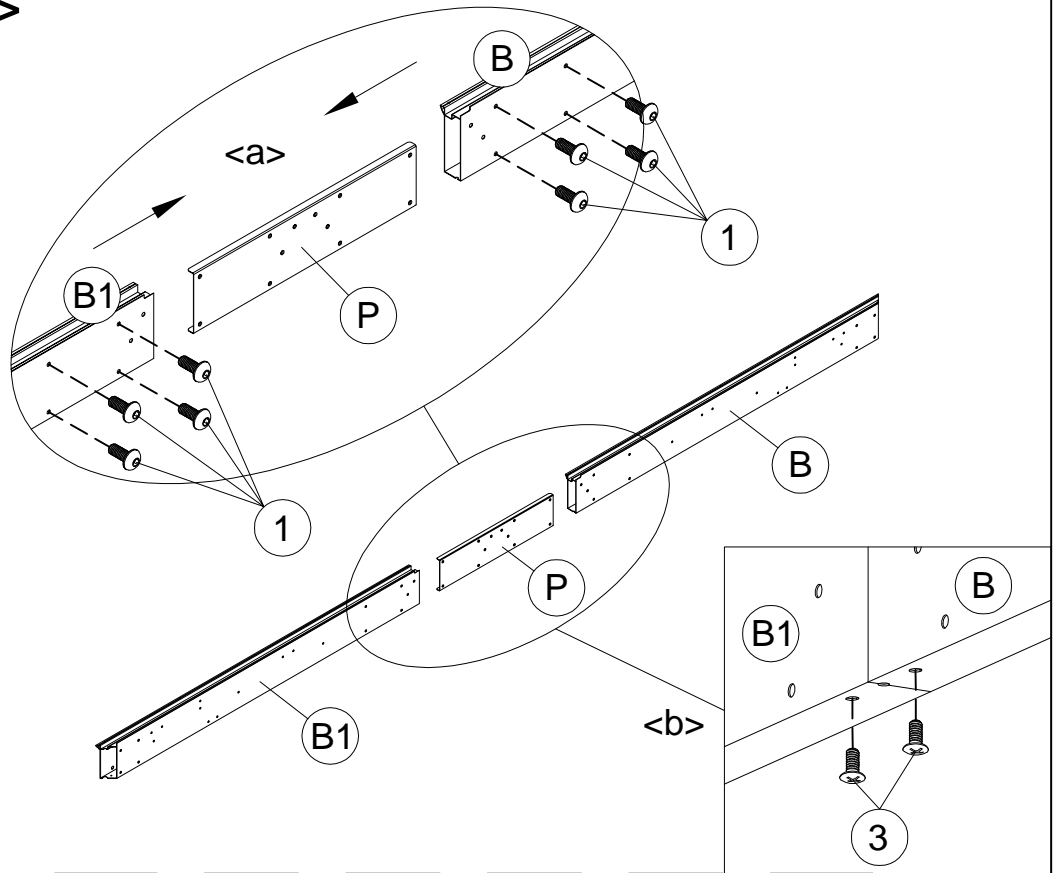


1 32x M6x15



3 8x M5x12

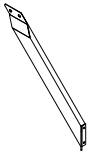
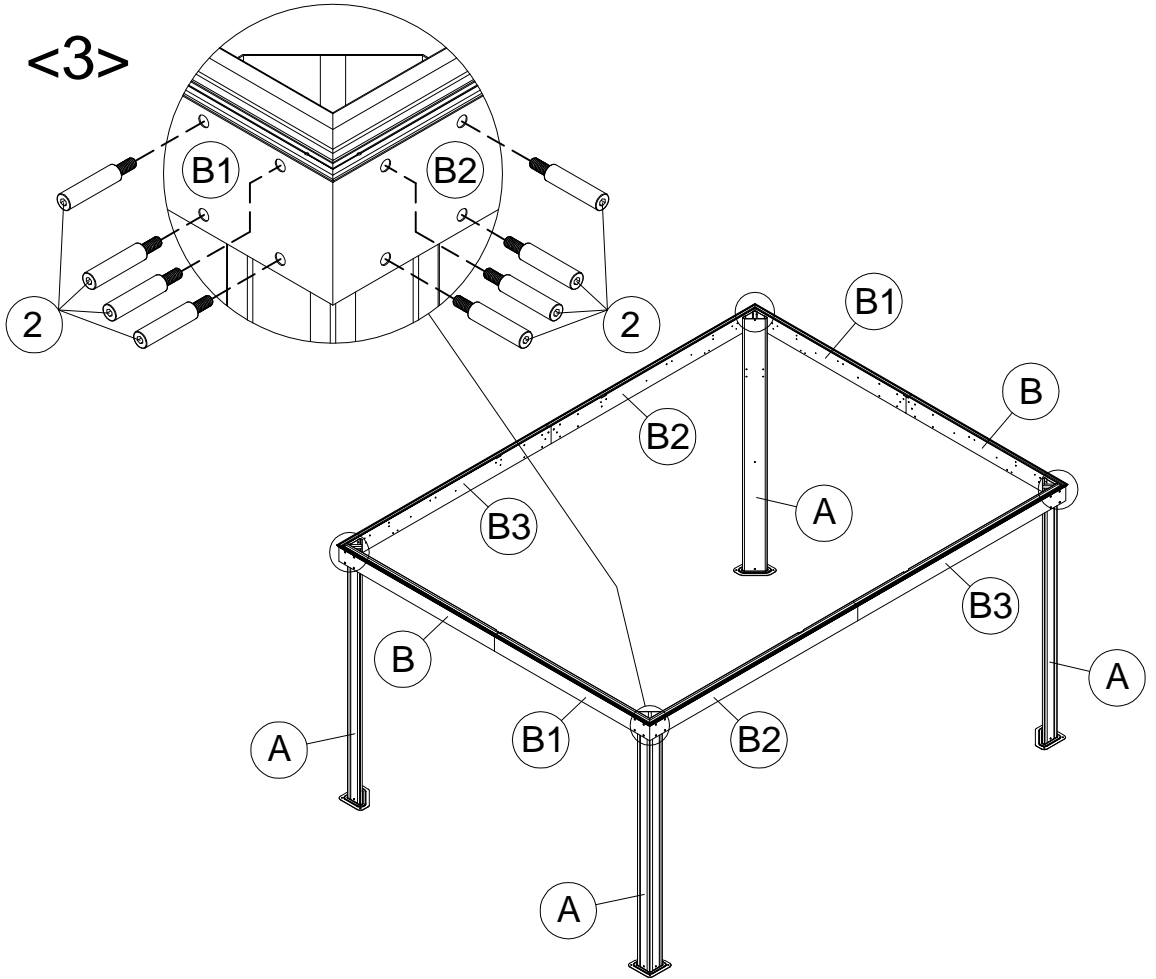
5





2 32x

<3>



H1 4x

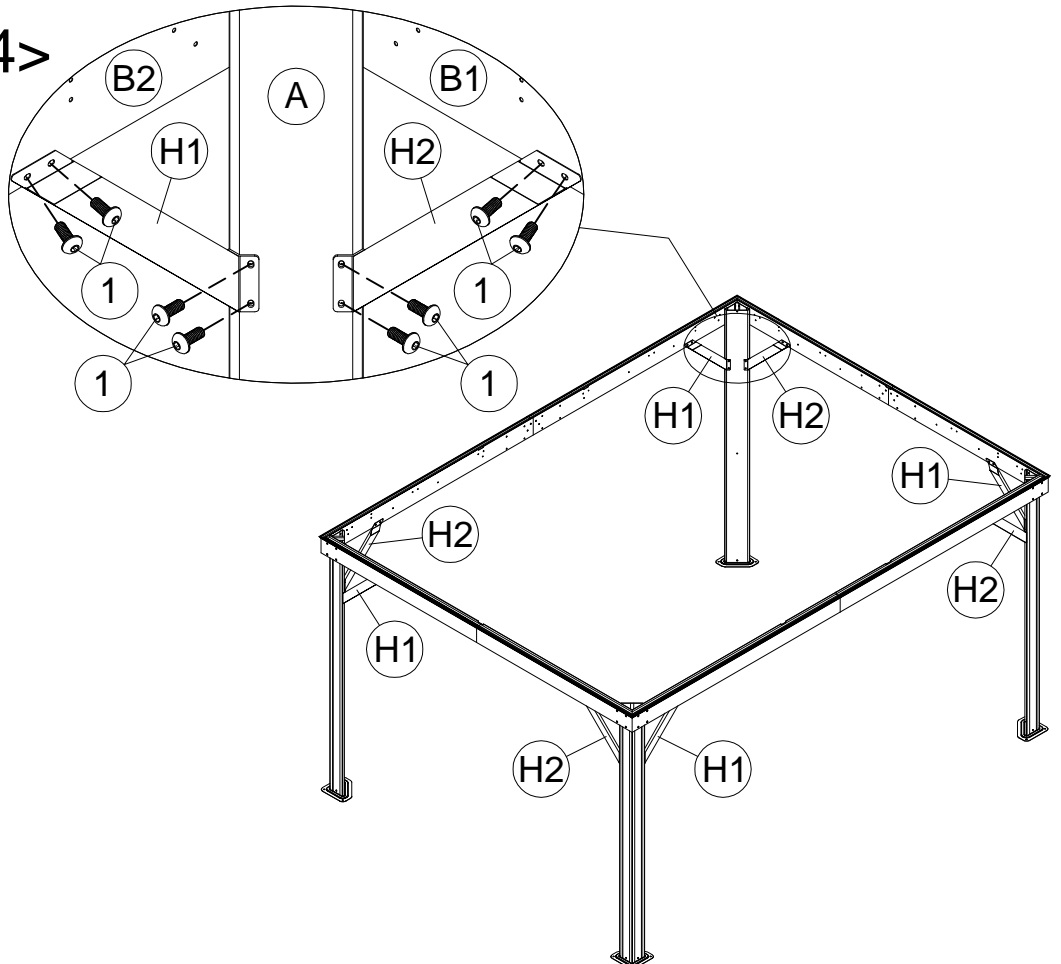


H2 4x



1 32x M6x15

<4>



6



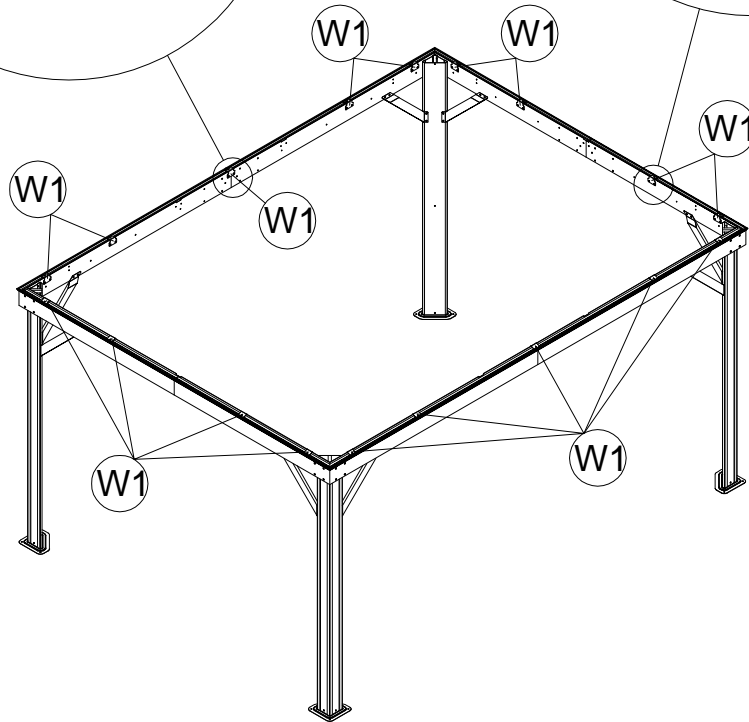
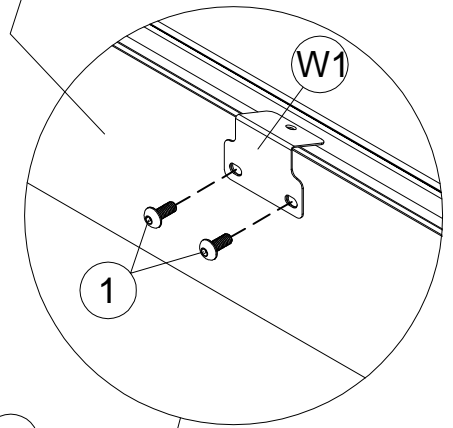
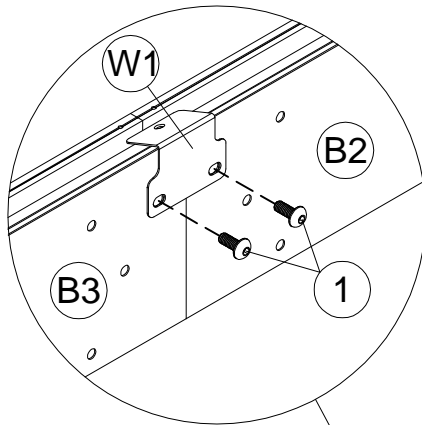
<5>

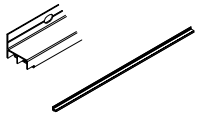
W1 18x



1 M6x15
36x

B or B1 or B2 or B3

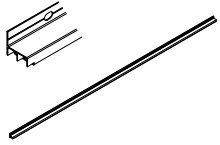




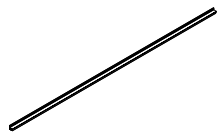
C 2x



C1 2x



C2 2x



C3 2x



U 112x



1 36x M6x15



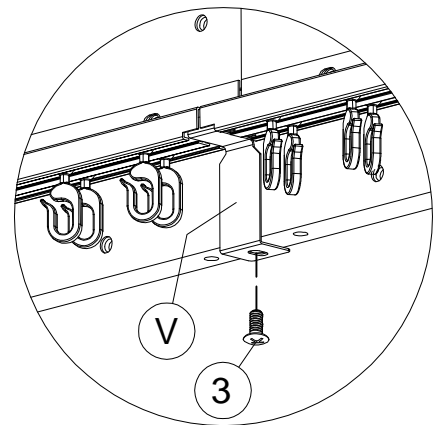
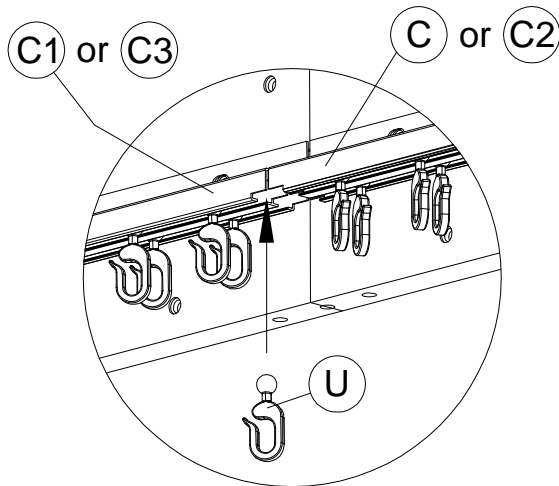
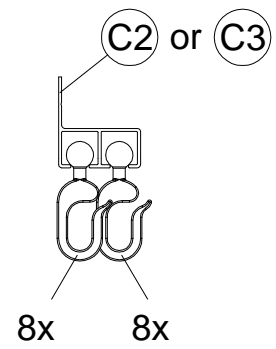
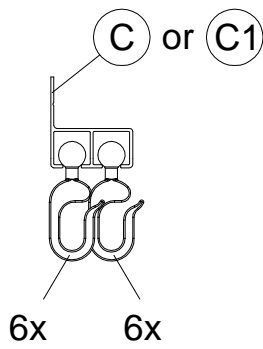
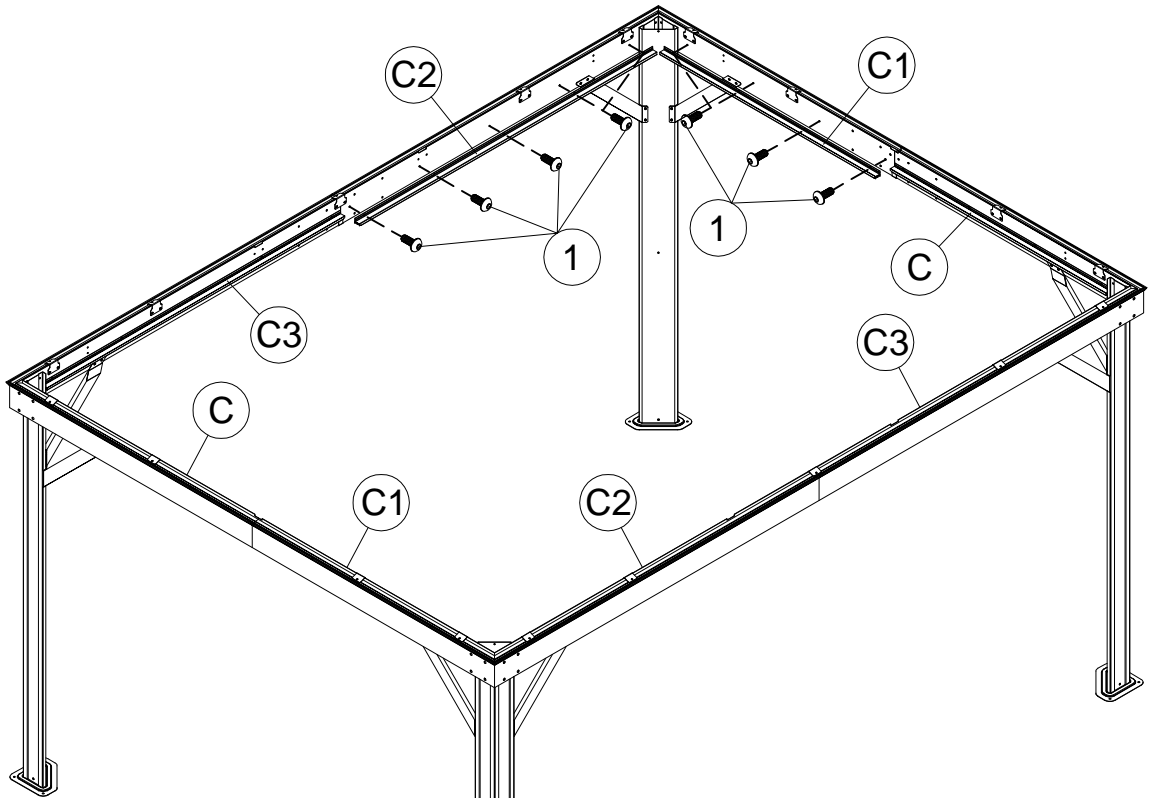
V 4x



3 4x M5x12

8

<6>



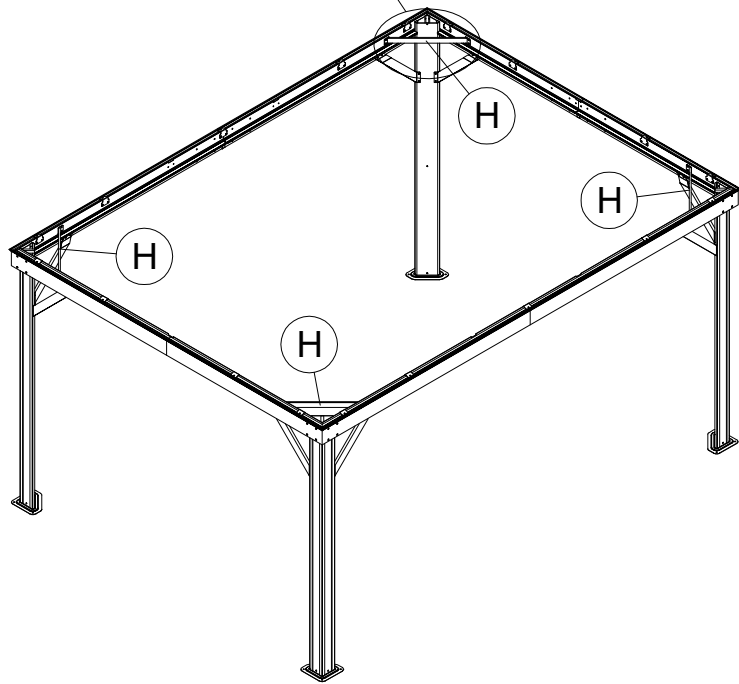
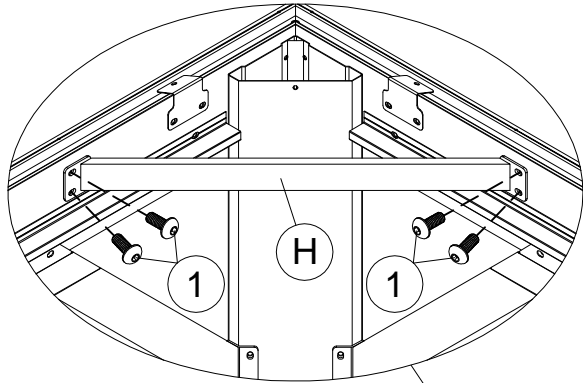


<7>

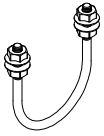
H 4x



M6x15
1 16x

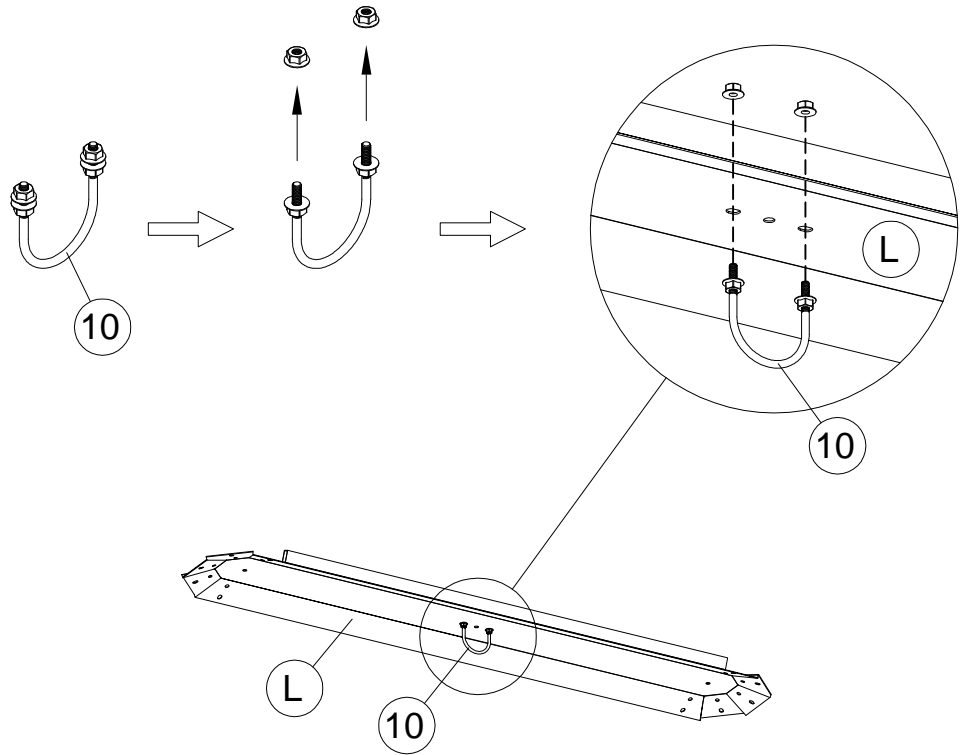


9

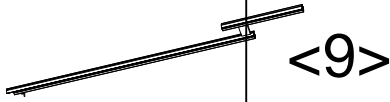


<8>

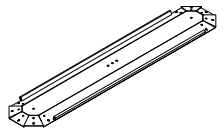
10 1x



10



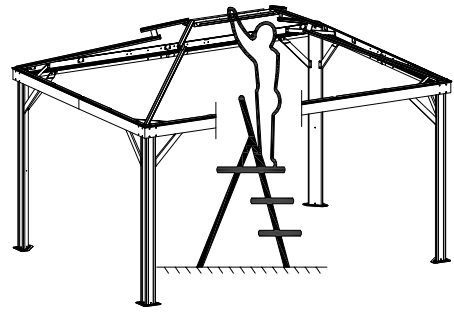
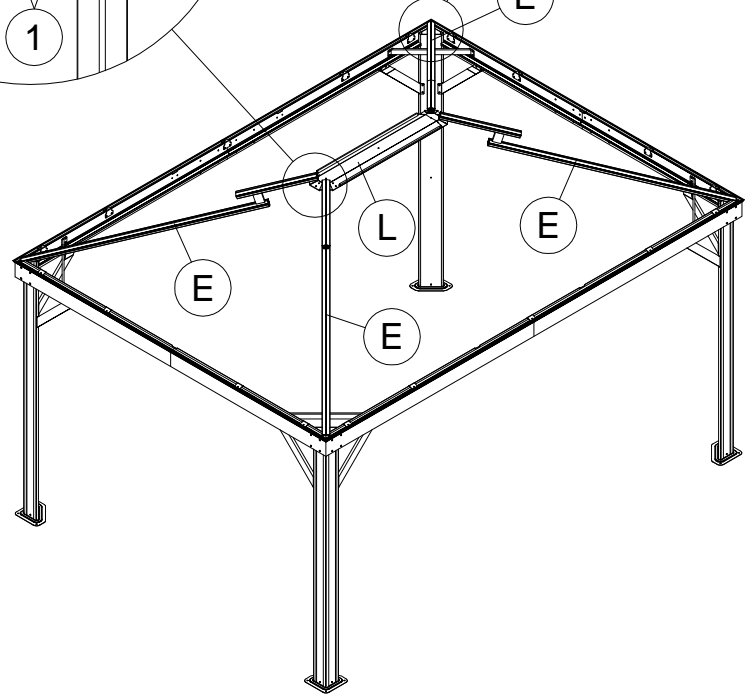
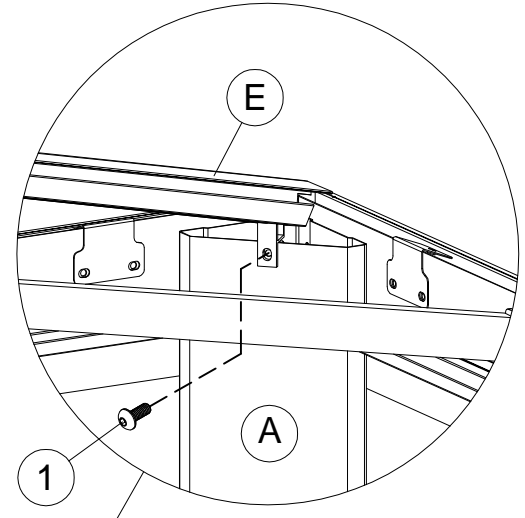
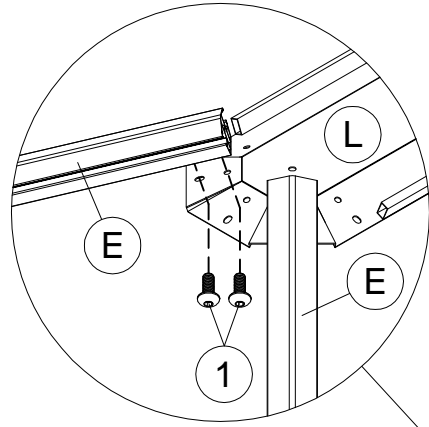
E 4x



L 1x



1 12x M6x15



Note:

1. Let one person stand on the ladder to lift " L " and hold, and let others fasten the screws connecting both ends of " E " .
2. Please do not let go of holding " L " until all the " E " screws are installed.

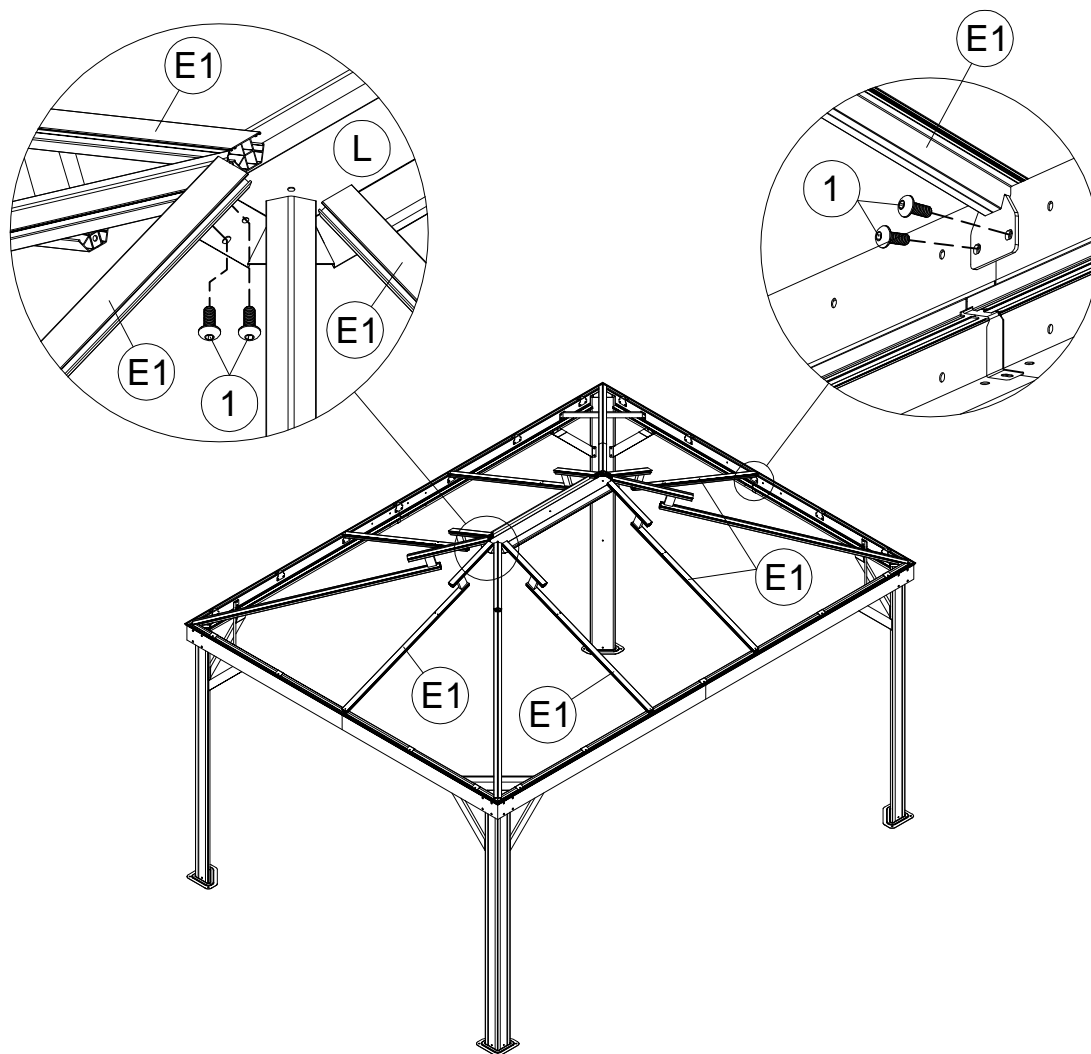


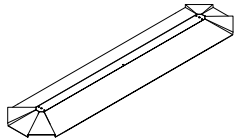
<10>

E1 6x



M6x15
1 24x





(M) 1x



(Za) 2x

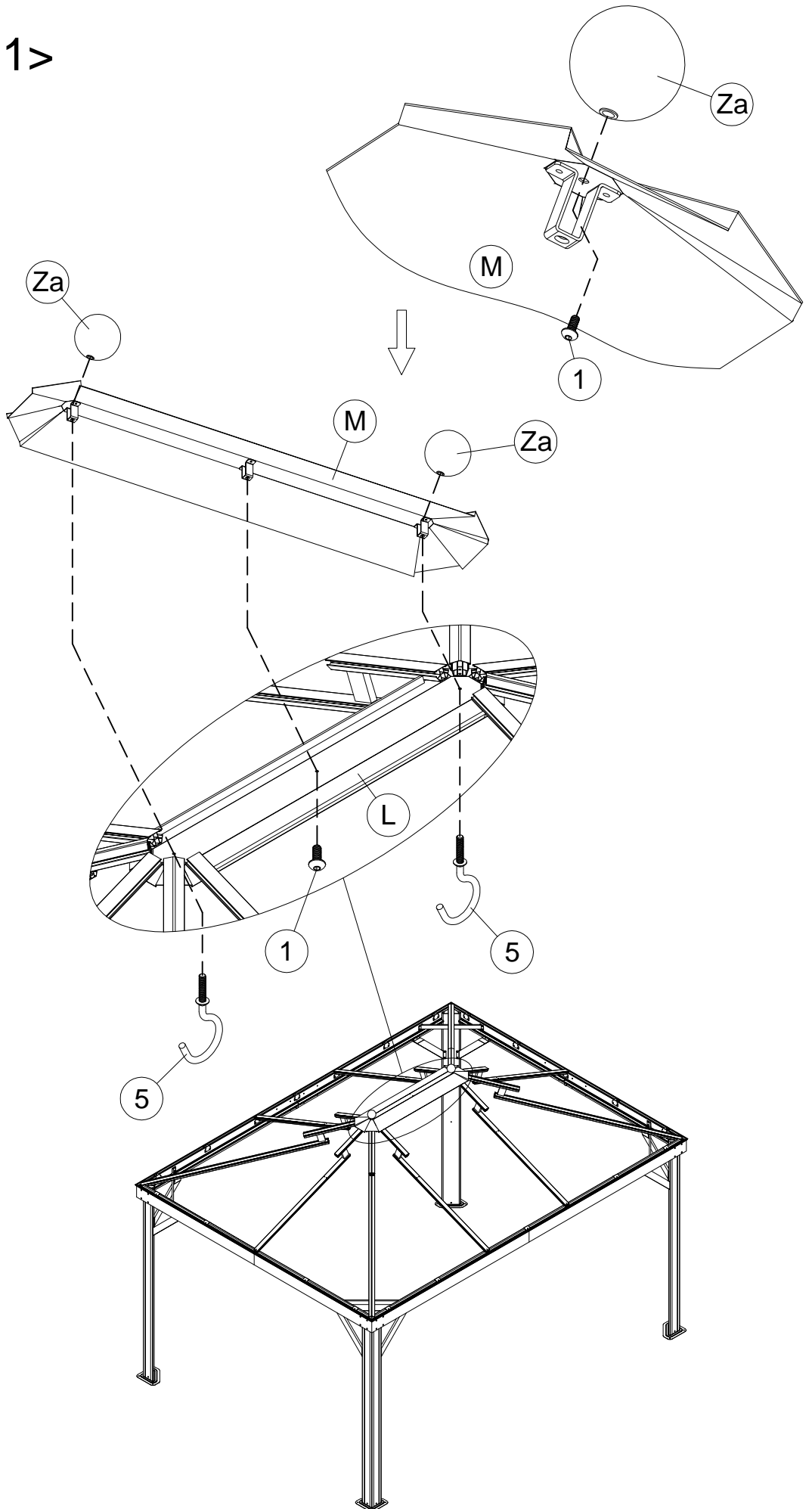


(1) 3x M6x15



(5) 2x

<11>





<12>

G3 2x

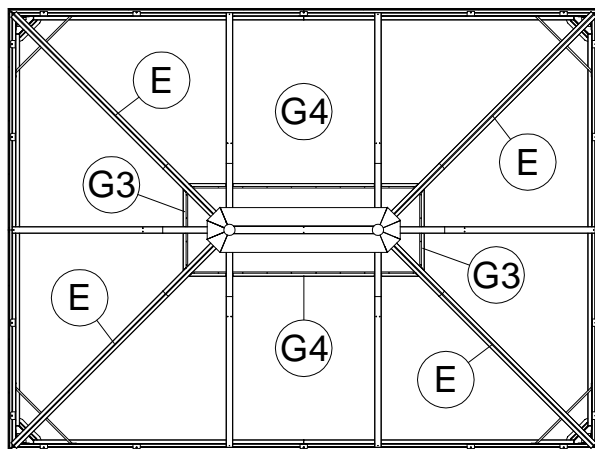
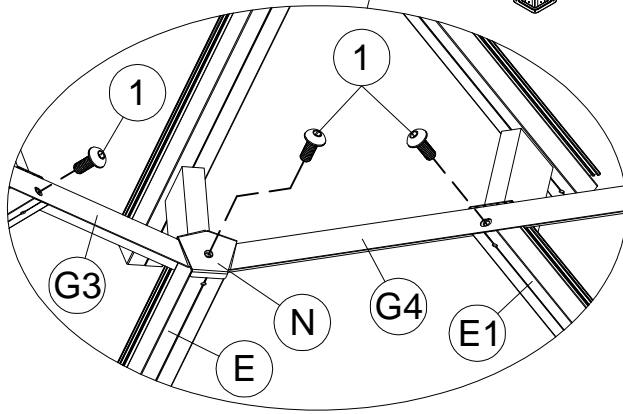
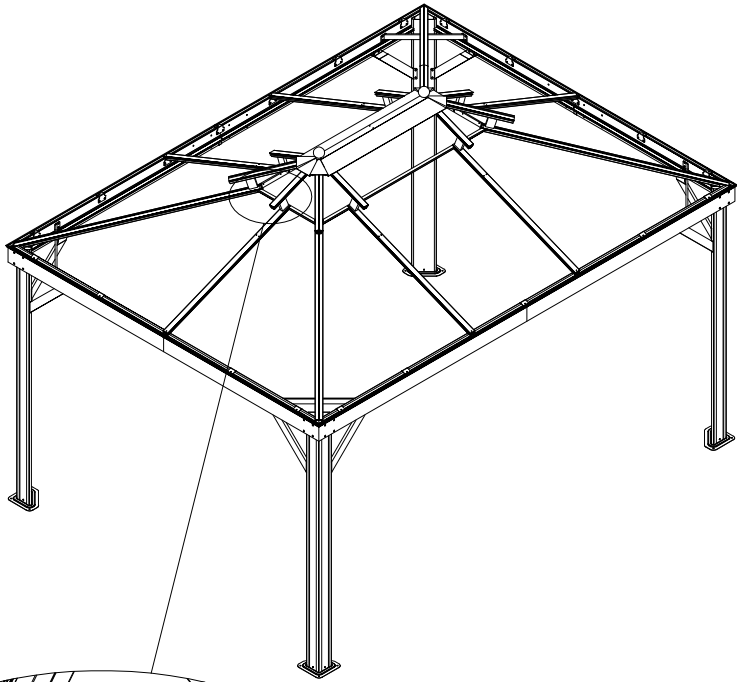
G4 2x

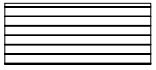


N 4x



1 10x M6x15





S 2x

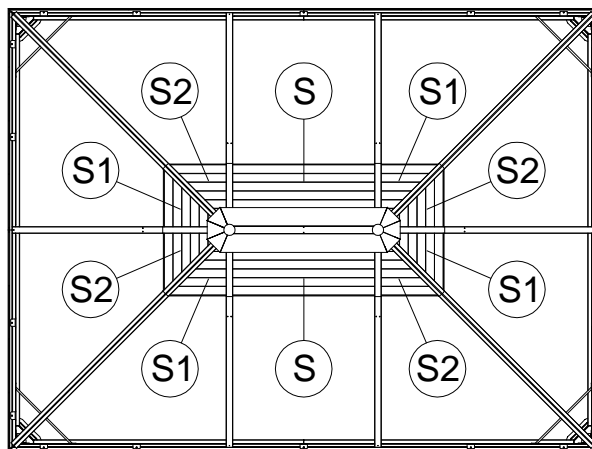
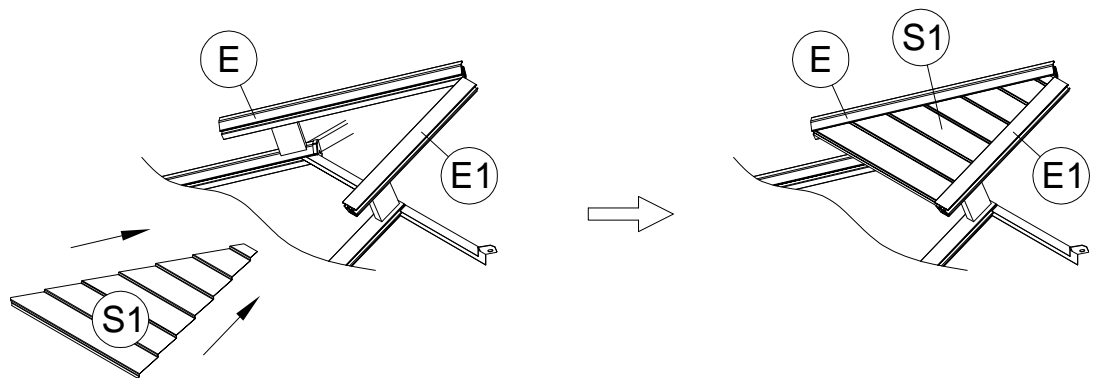
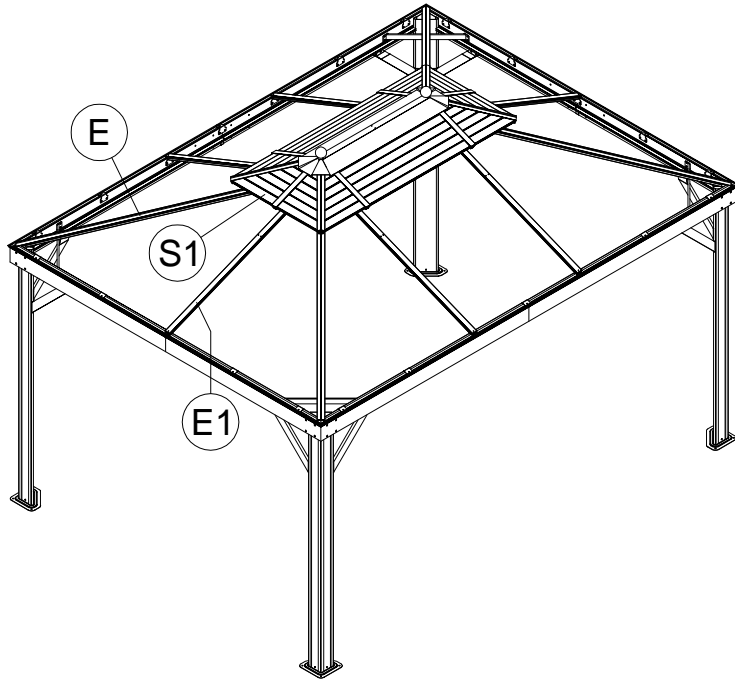


S1 4x



S2 4x

<13>



<14>

G 2x



G1 4x



G2 4x



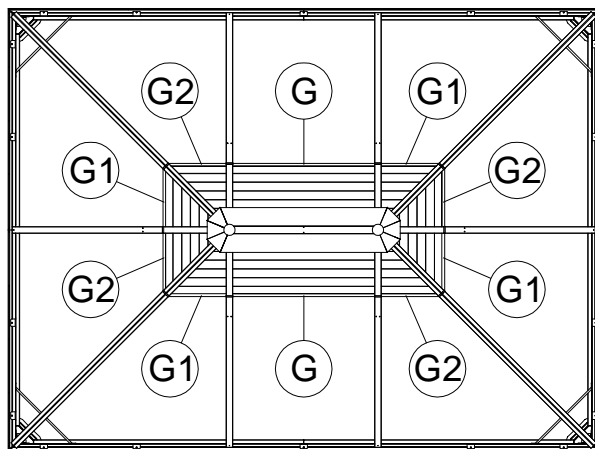
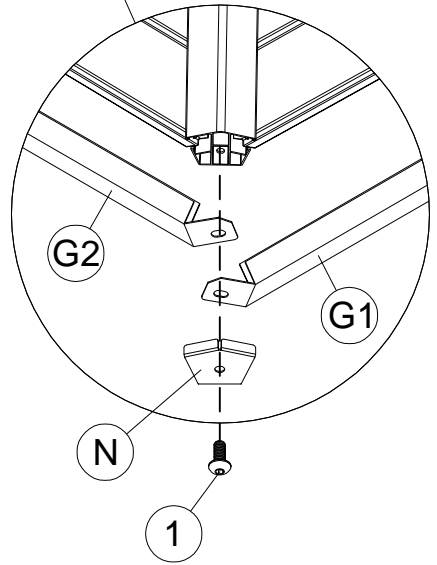
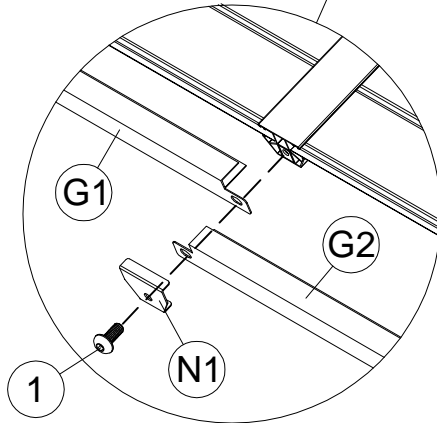
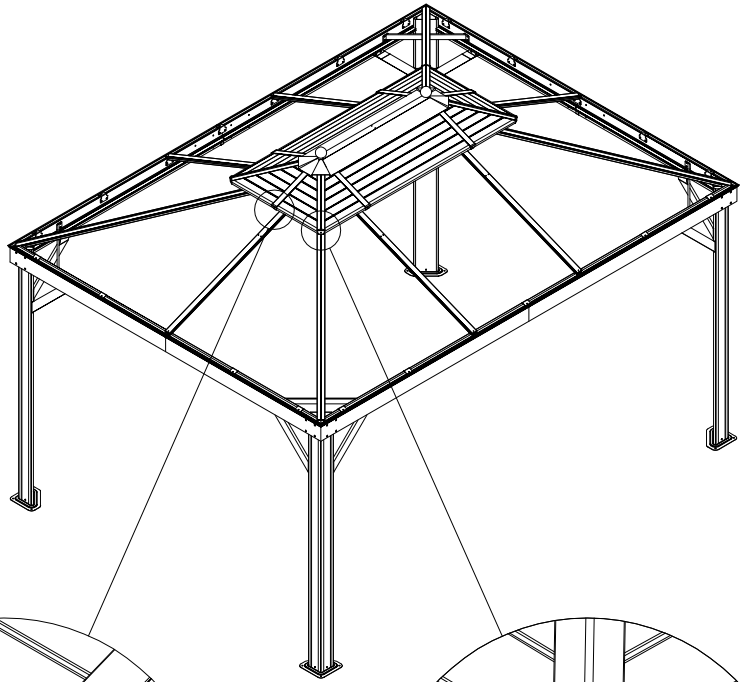
N 4x



N1 6x



1 10x M6x15



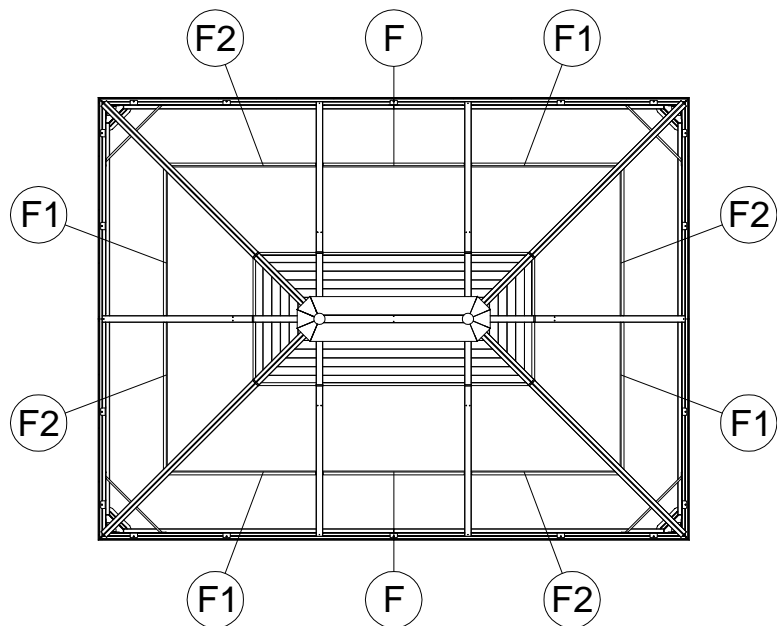
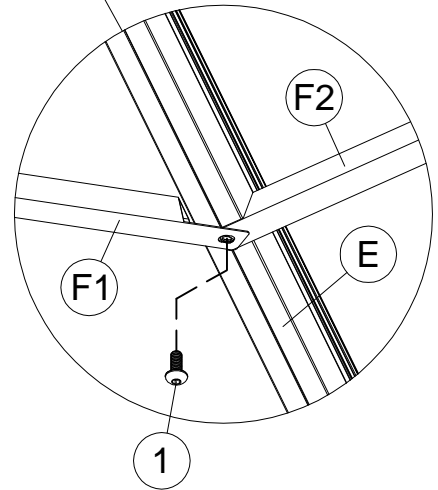
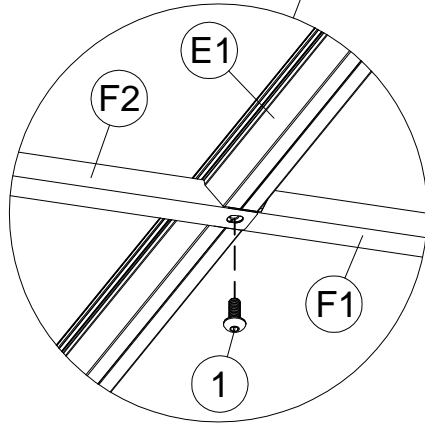
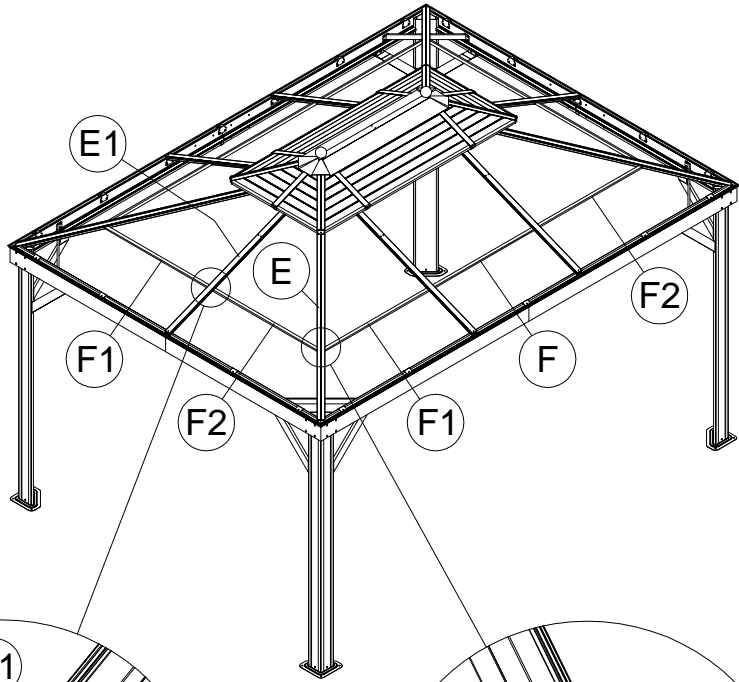
<15>

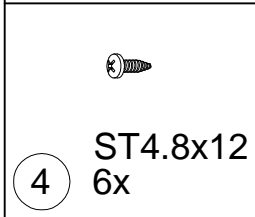
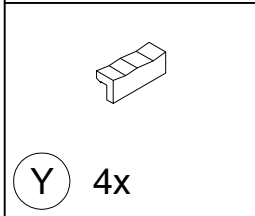
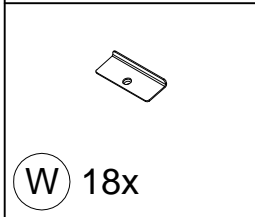
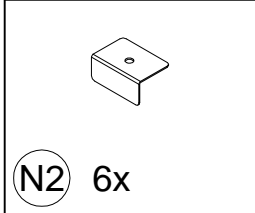
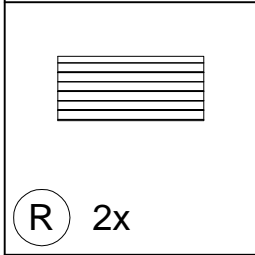
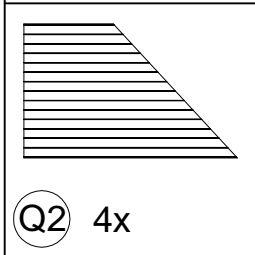
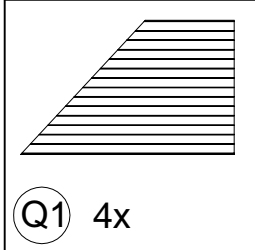
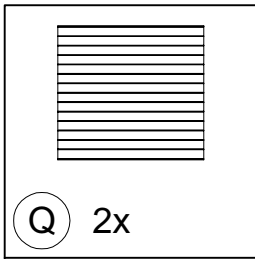
F 2x

F1 4x

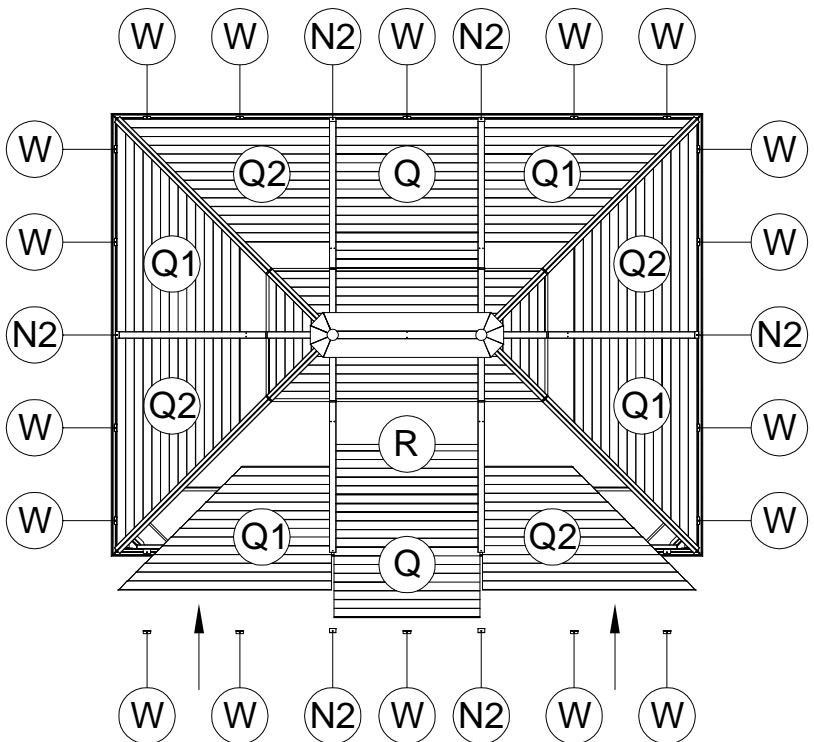
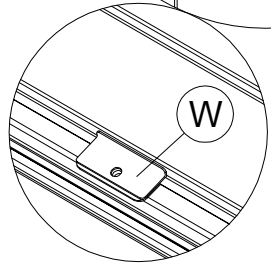
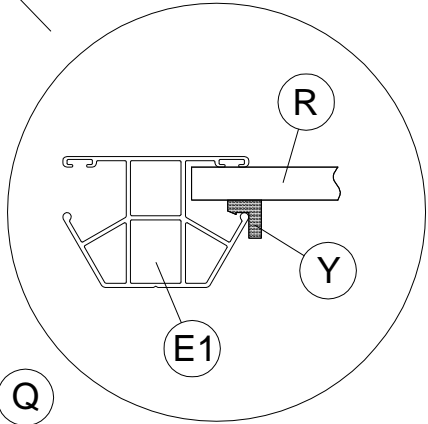
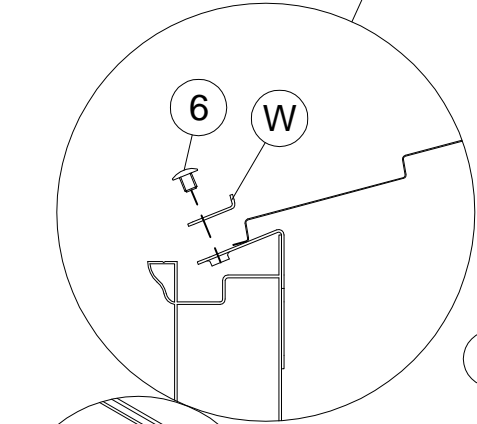
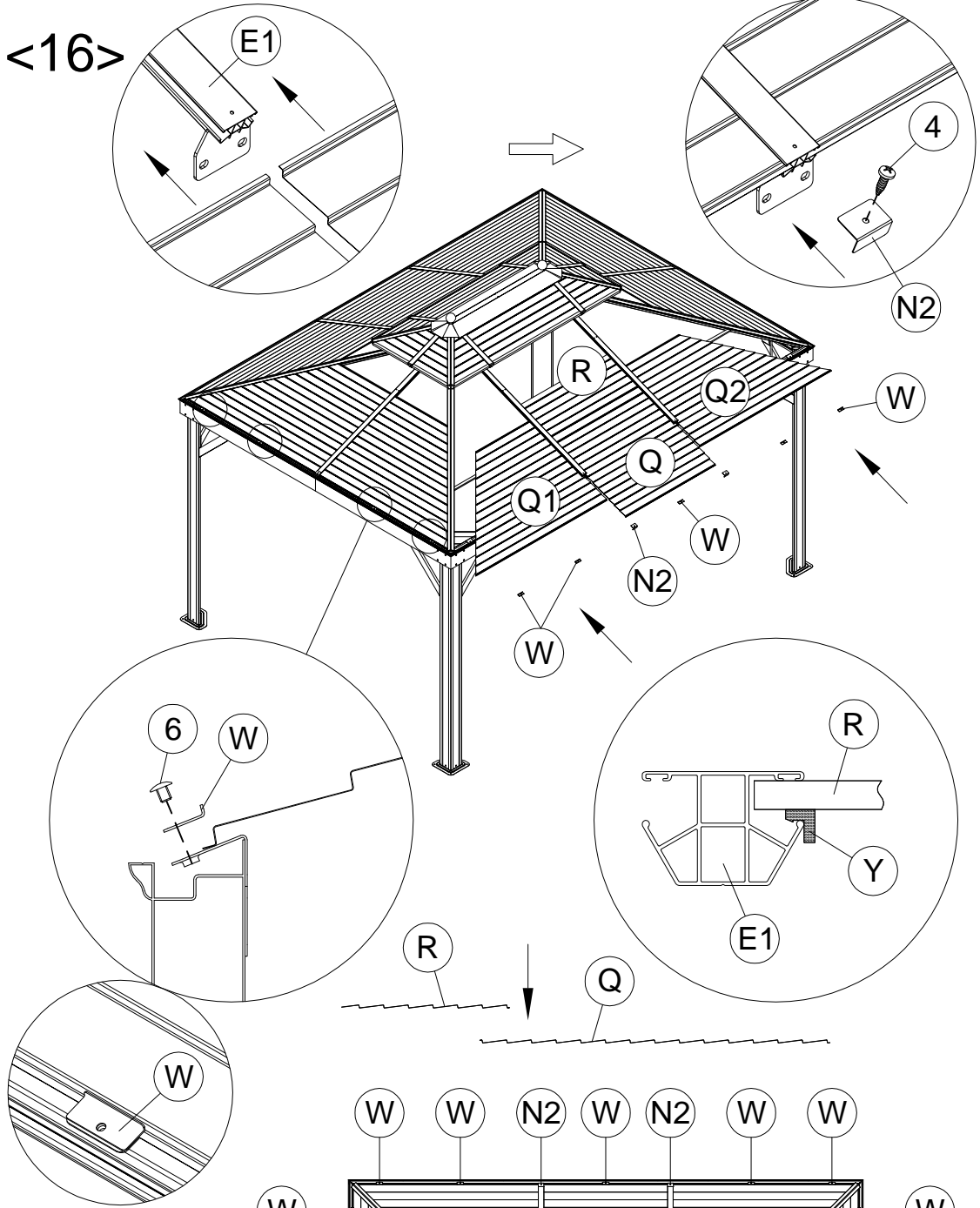
F2 4x

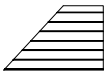
1 10x M6x15





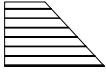
<16>





<17>

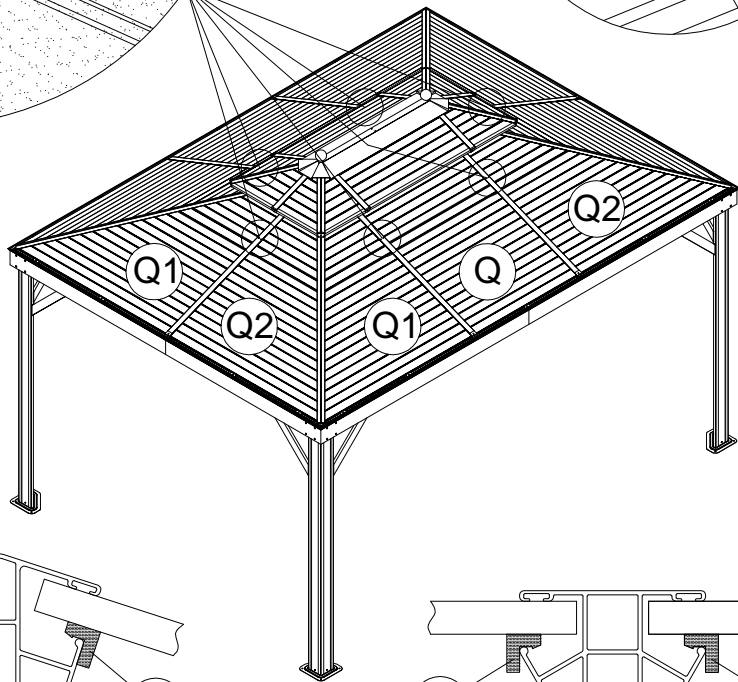
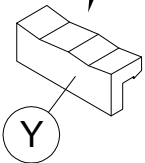
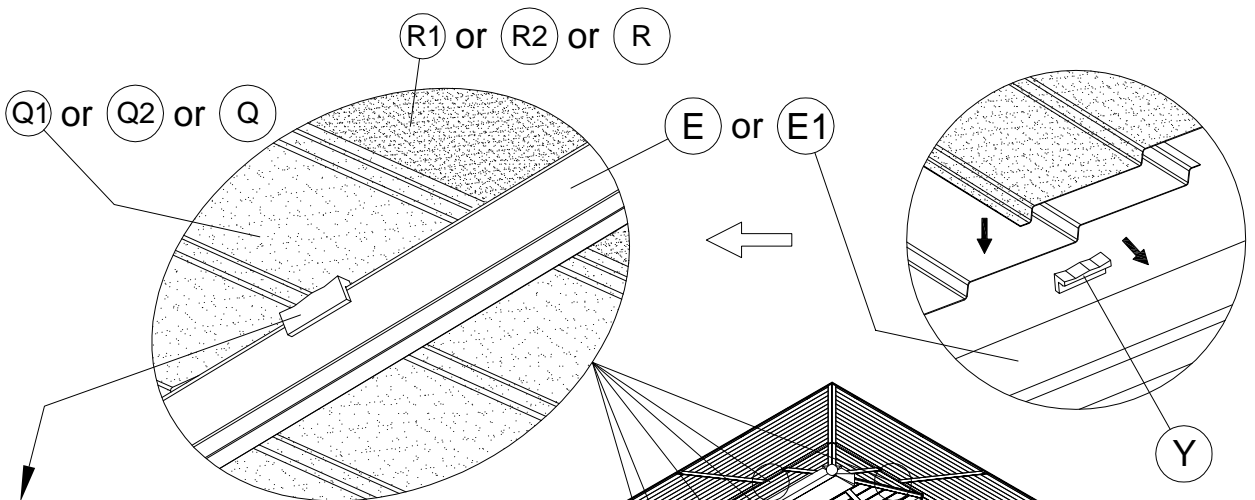
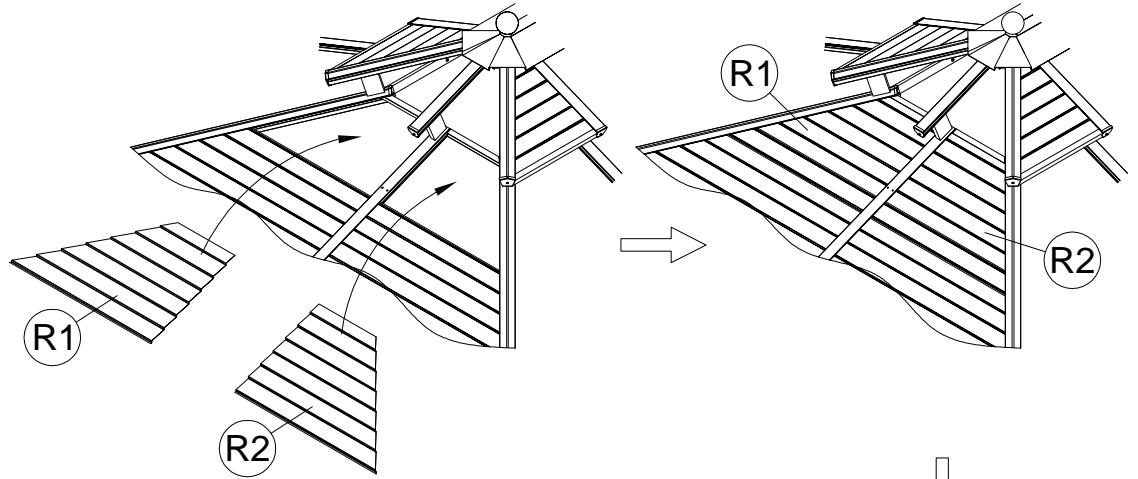
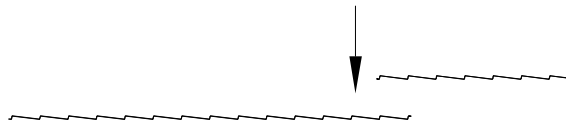
(R1) 4x



(R2) 4x

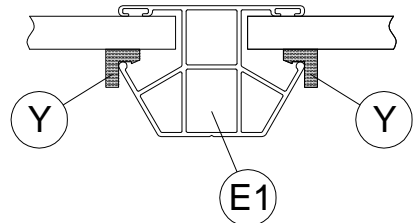
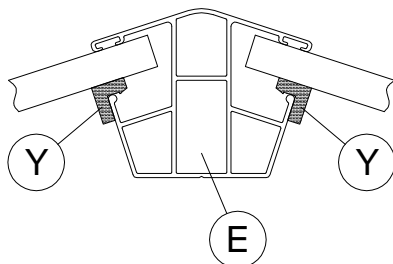


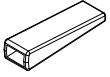
(Y) 16x



Note:

1. Y is stuck in the position of the edges where the small piece (R1 or R2 or R) and the large piece (Q1 or Q2 or Q) overlap.
2. R1 or R2 or R must pile up on the top of Q1 or Q2 or Q.



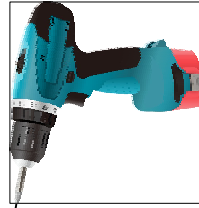


<18>

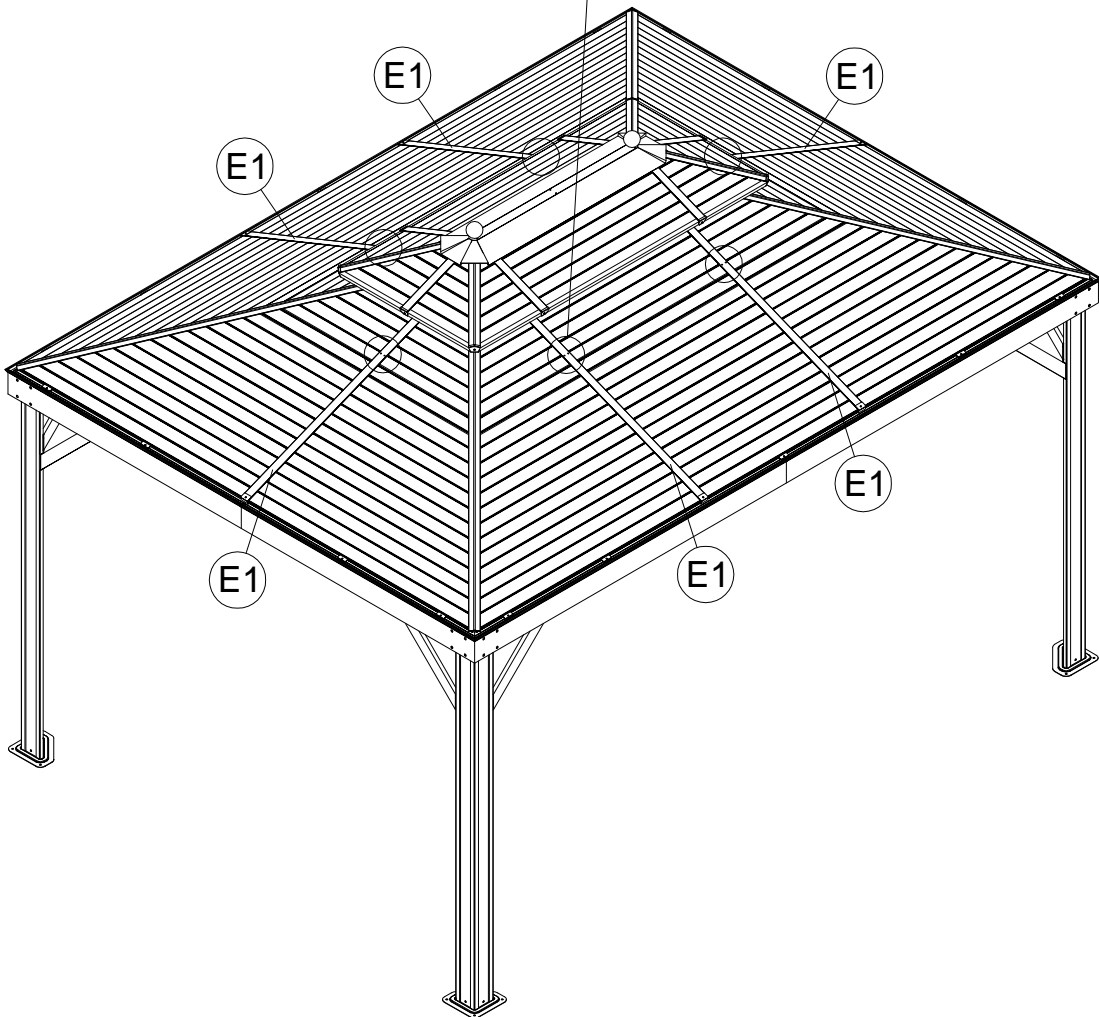
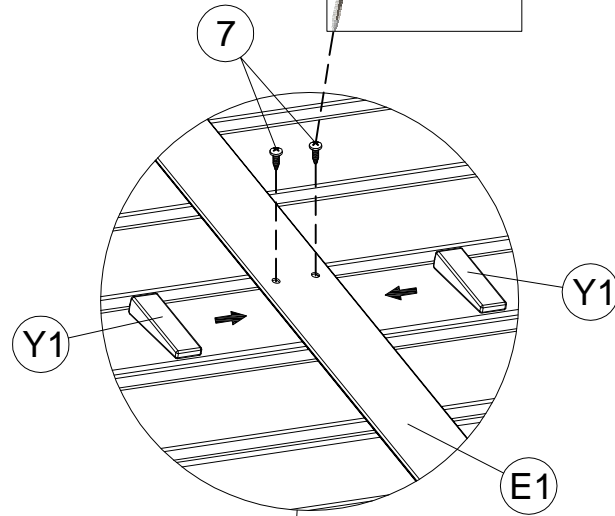
Y1 12x





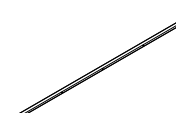
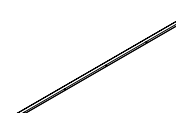
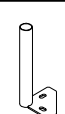


7 12x ST4x8

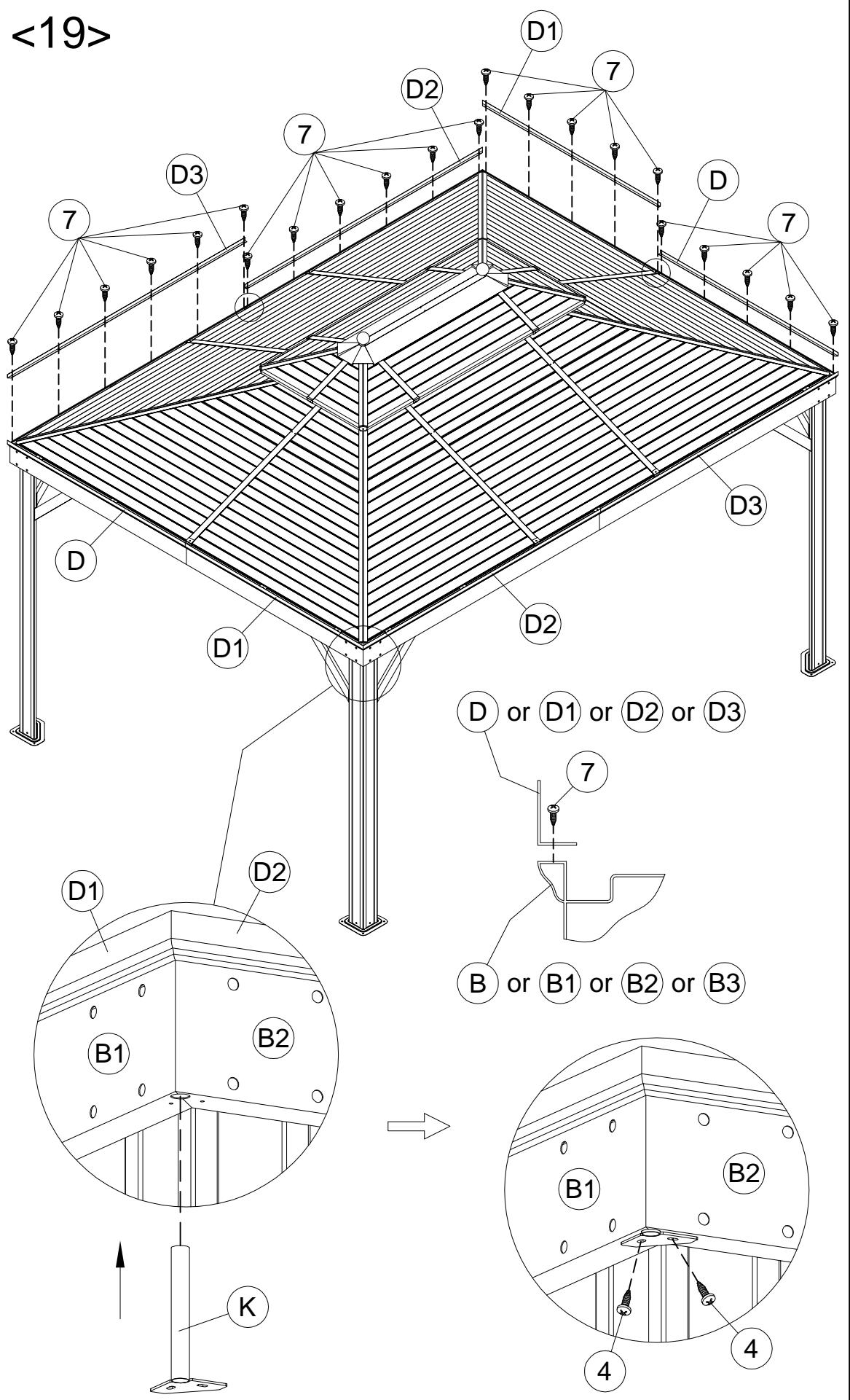


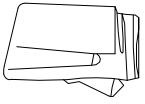
Note: pls use power tools to drill the screws.



<19>

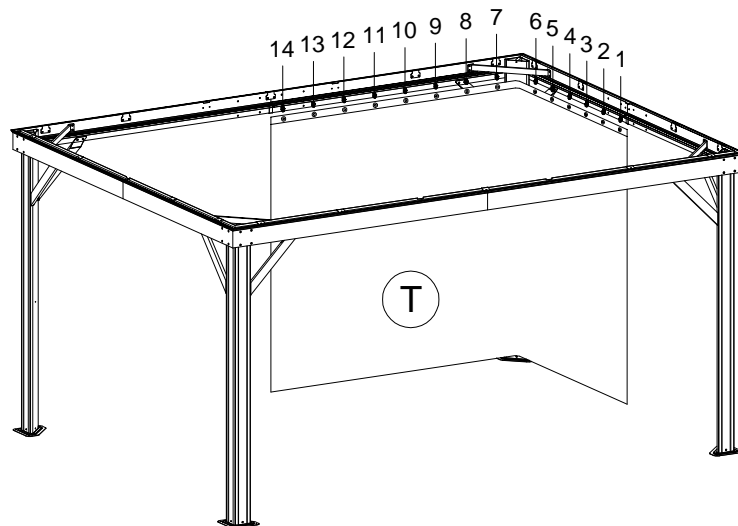
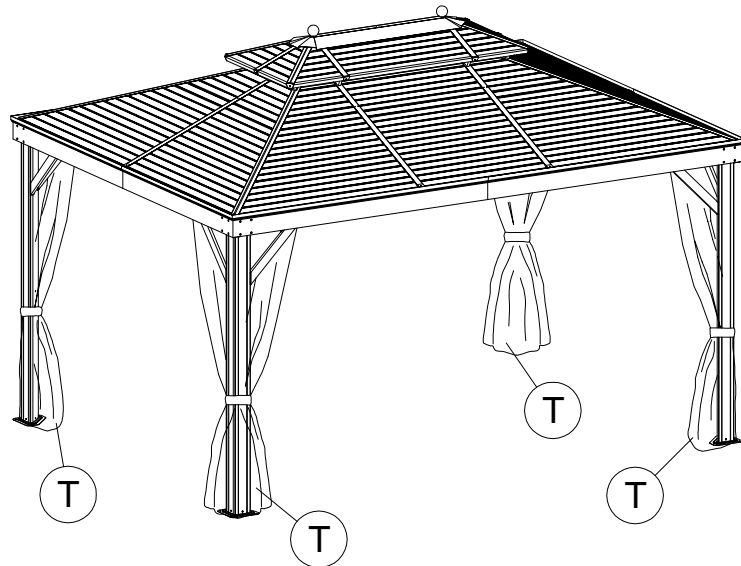
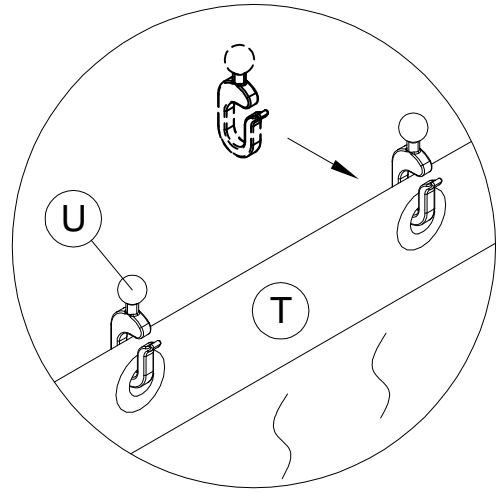
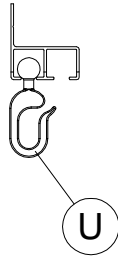
- 
(D) 2x
- 
(D1) 2x
- 
(D2) 2x
- 
(D3) 2x
- 
(K) 4x
- 
(4) ST4.8x12
8x
- 
(7) ST4x8
44x
-
- 21**

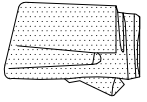




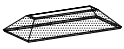
<20>

T 4x



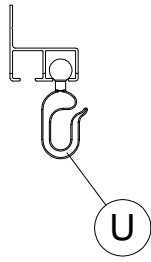


+

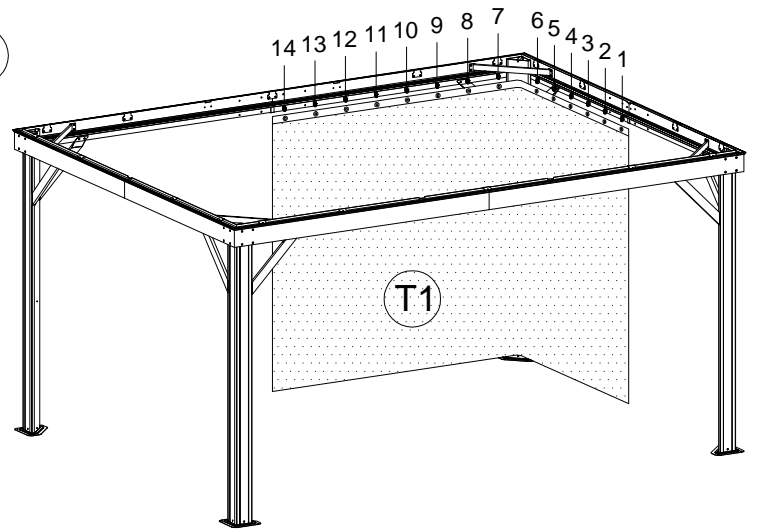
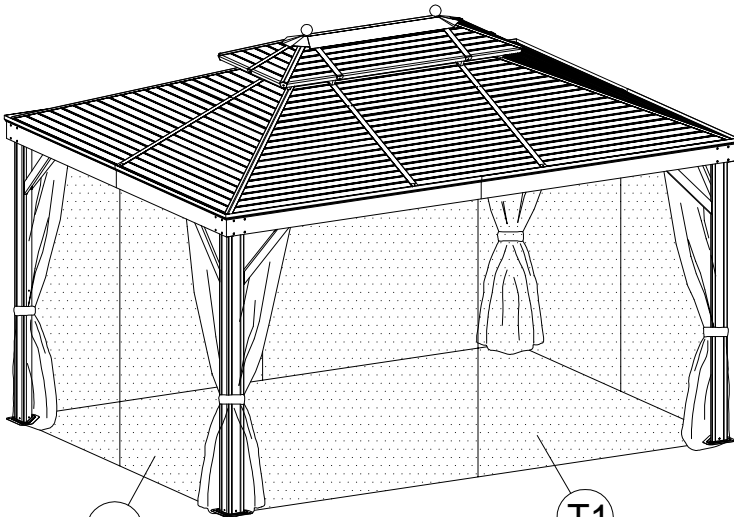
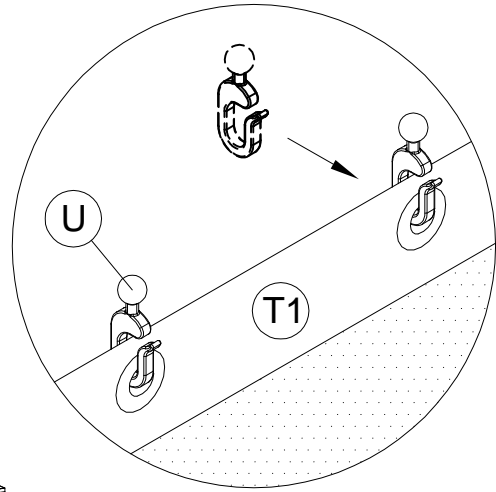


T1 4x + 1x

<21>



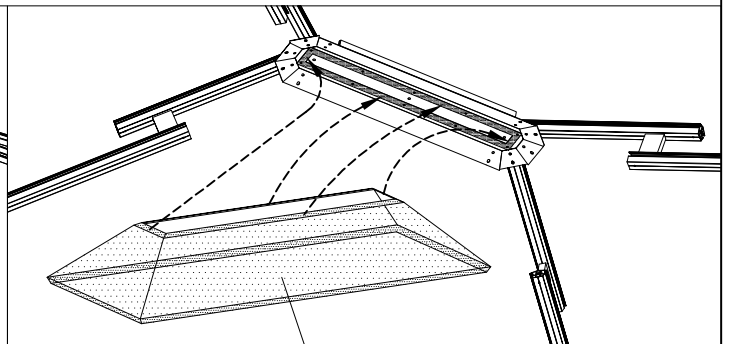
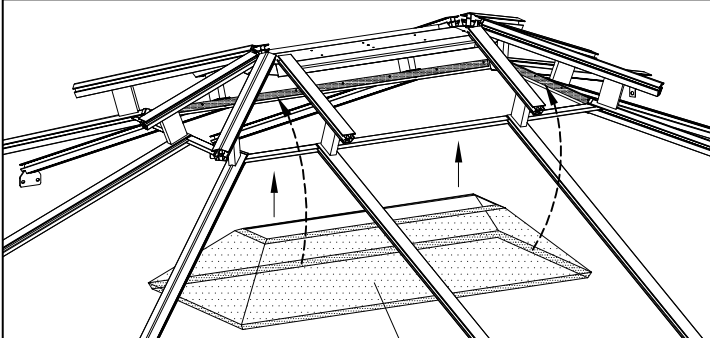
3



1



2



23

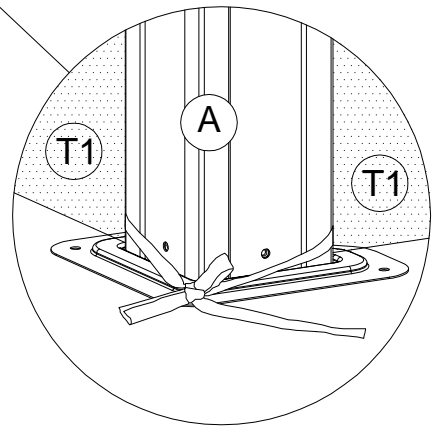
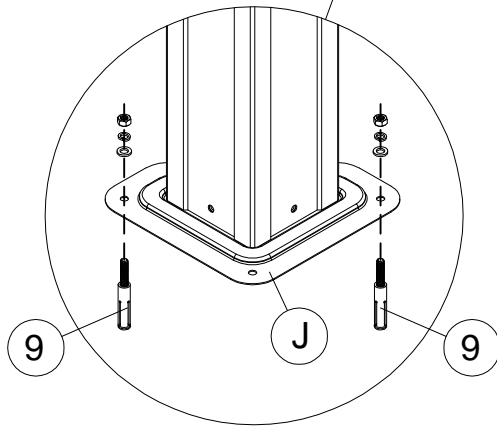
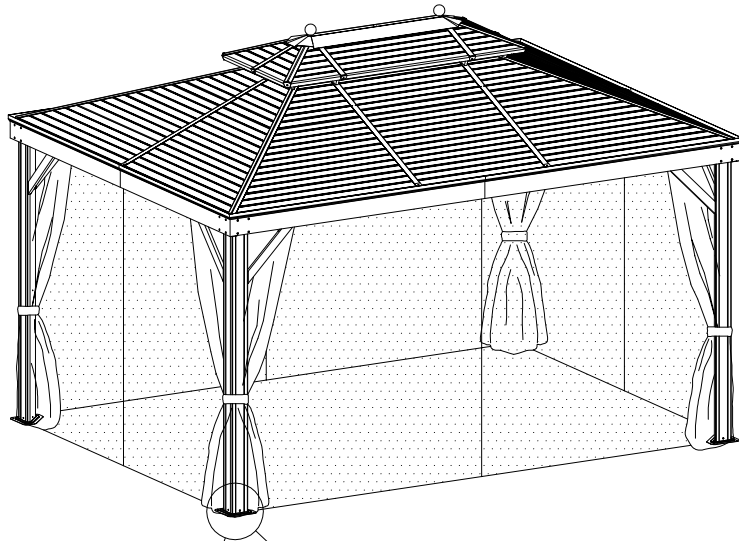
T1

T1



<22>

9 12x



Carton-1/4		Carton-3/4		Carton-4/4	
Part	Qty	Part	Qty	Part	Qty
A	4	C	2	Q	2
B2	2	C1	2	Q1	4
B3	2	C2	2	Q2	4
		C3	2	R	2
		D	2	R1	4
		D1	2	R2	4
		D2	2	S	2
		D3	2	S1	4
Carton-2/4		E	4	S2	4
Part	Qty	F	2		
B	2	F1	4		
B1	2	F2	4		
E1	6	G	2		
L	1	G1	4		
M	1	G2	4		
P	4	G3	2		
T	4	G4	2		
T1	4 + 1	H	4		
		H1	4		
		H2	4		
		J	4		
		K	4		
		N.N1.N2.U.V. W.Y.Y1.9.10	1		
		W1	18		
		Za	2		
		1.2.3.4.5.6.7	1		