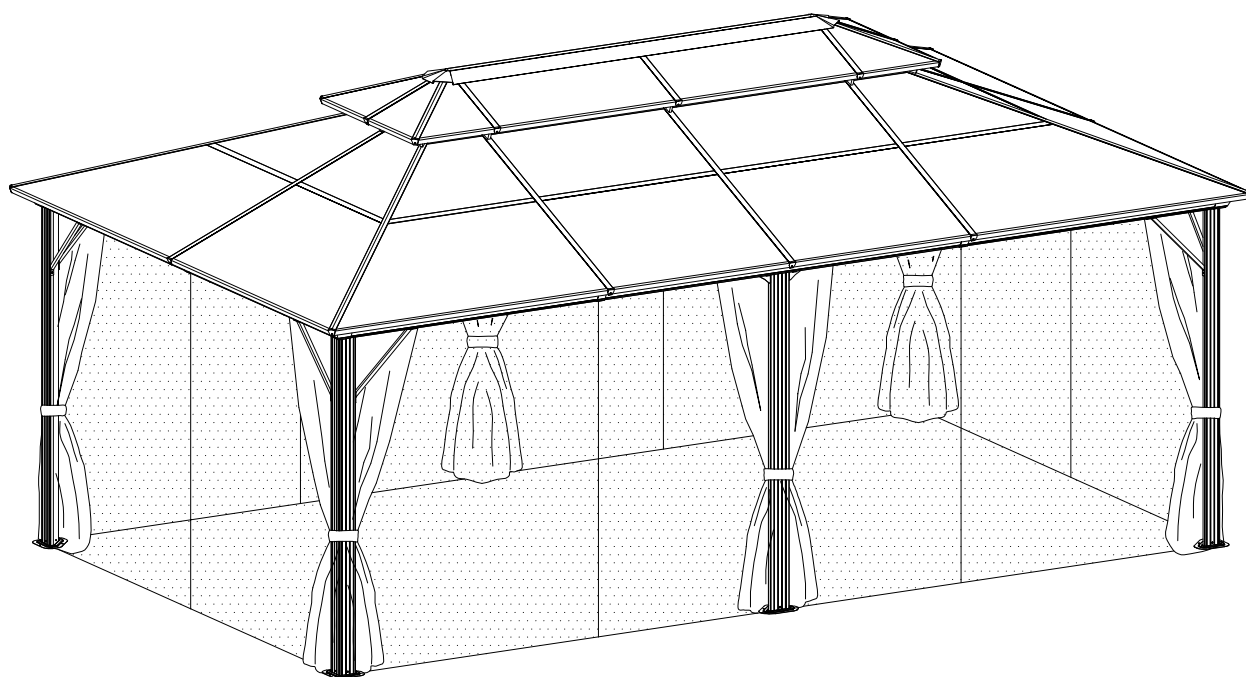
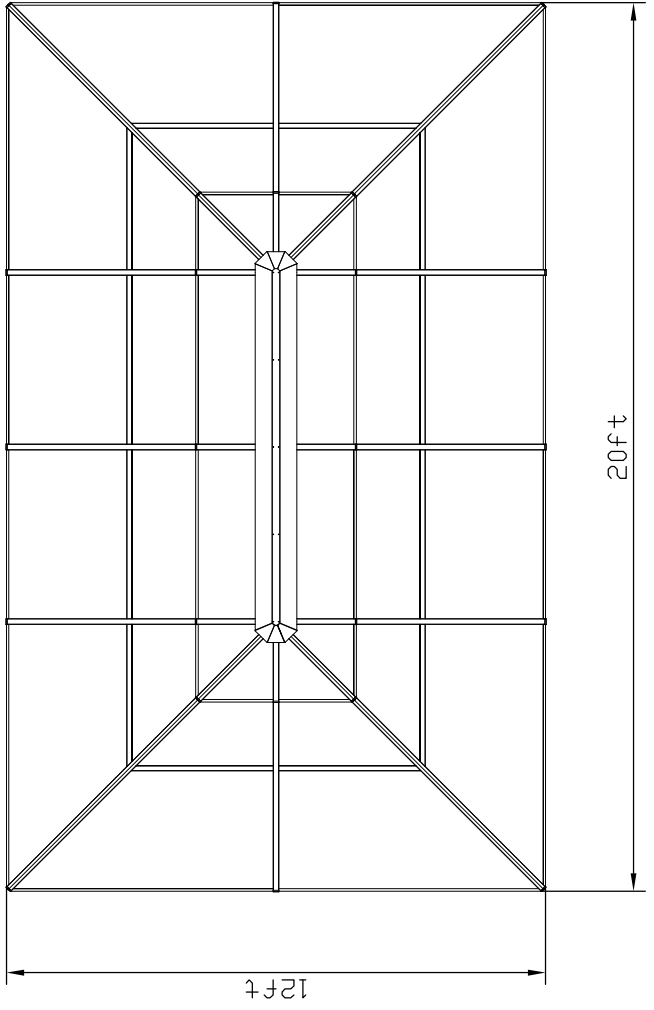
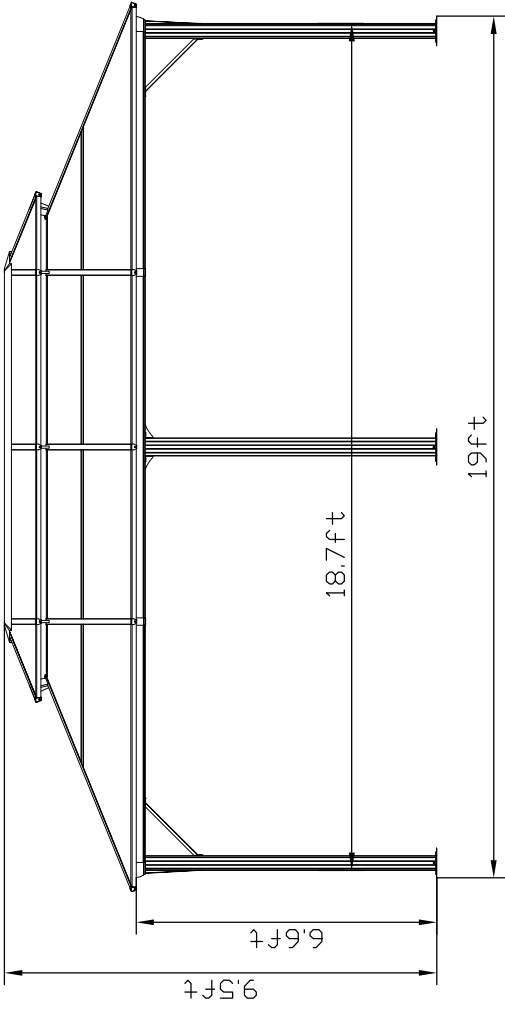
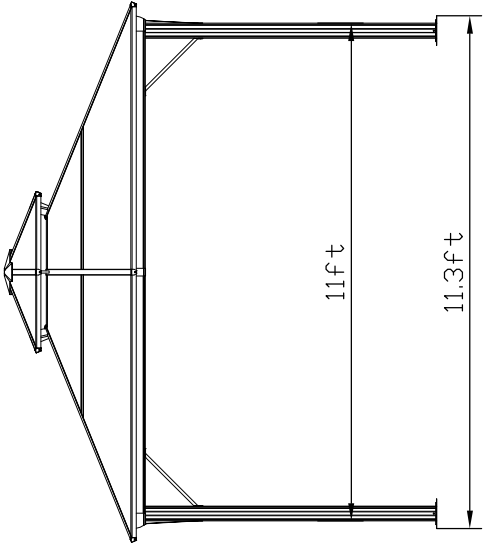


3.65 x 6 M

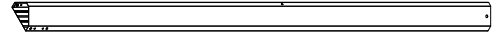
□ □ □ □ □ □ □ □ HWG - 060 □ □ □ □ □ □ □ □



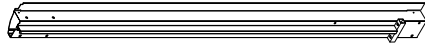




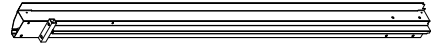
A 4x



A1 2x



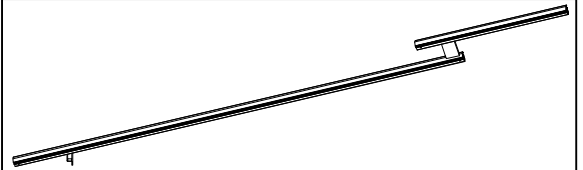
B 4x



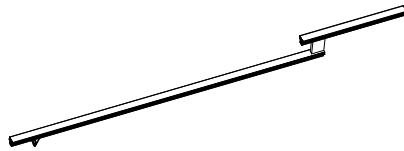
B1 4x



E2 2x



D 4x



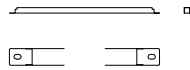
E 8x



D3 4x



D4 4x



D5 4x



F 4x



F1 4x



F2 4x



G 8x



G1 4x



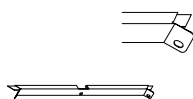
G2 4x



G3 4x



G4 4x




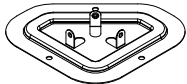
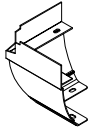

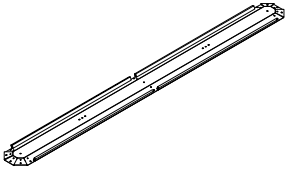
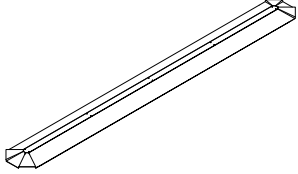



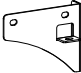
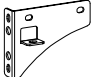
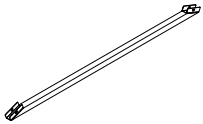
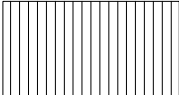
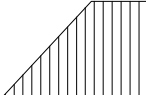
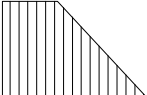
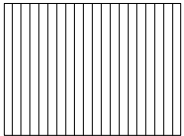
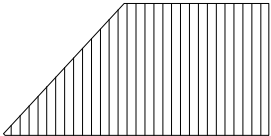
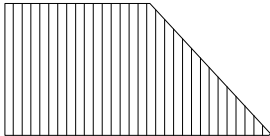
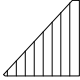
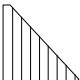
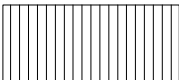
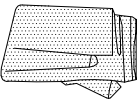
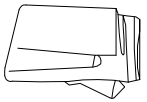

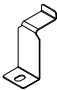


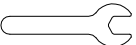
G5 2x



W 2x



W1 2x

 H 12x	 J 6x	 K 4x	 K1 6x
 L 1x	 M 1x		 N 12x
 N1 16x	 P 6x	 U1 2x	 U2 2x
 U3 3x	 Q 4x	 Q1 4x	 Q2 4x
 R 4x	 R1 4x	 R2 4x	 R3 4x
 R4 4x	 R5 4x	 S 4x + 2x	 T 4x + 2x
 U 152x	 V 6x	 P1 4x	 S4 1x
			 1x



M6x15

1 215x



M6x35

2 16x



M5x12

3 6x



ST4.8x12

4 28x

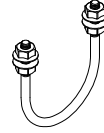


M6x30

6 6x



9 18x



10 2x

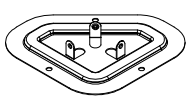
<1>



A 4x



A1 2x



J 6x



U1 2x

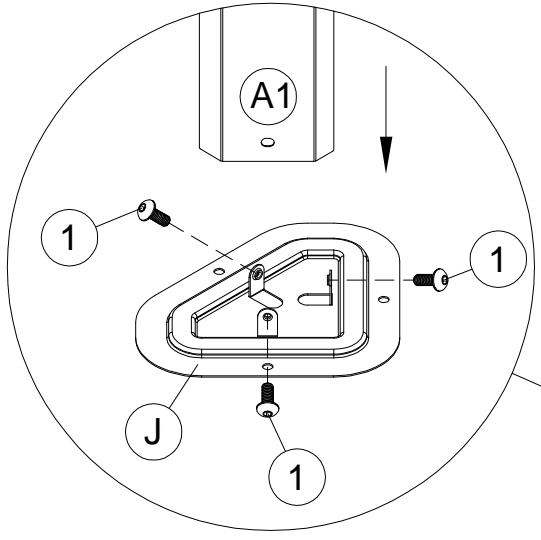
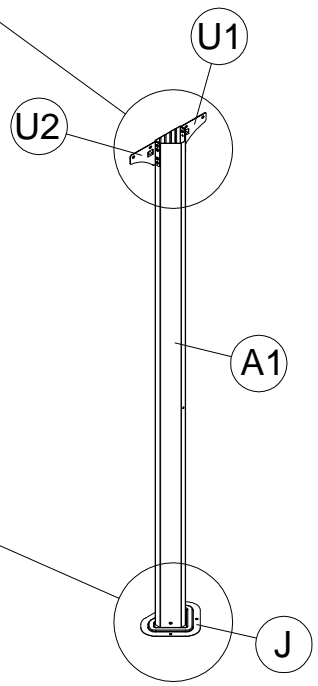
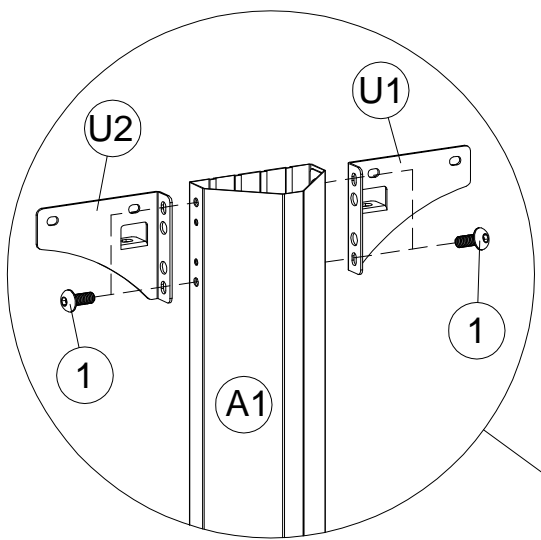
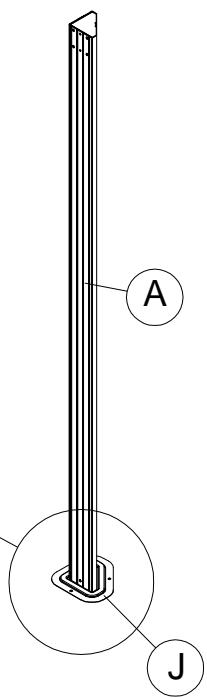
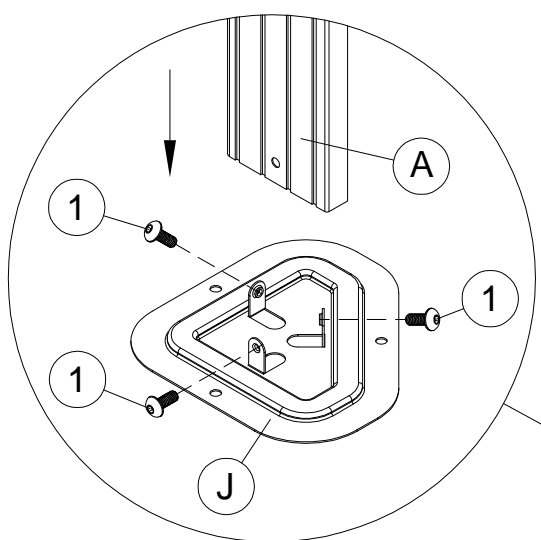


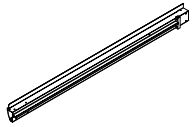
U2 2x



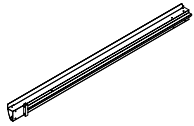
1 26x M6x15

5

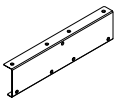




(B) 2x



(B1) 2x

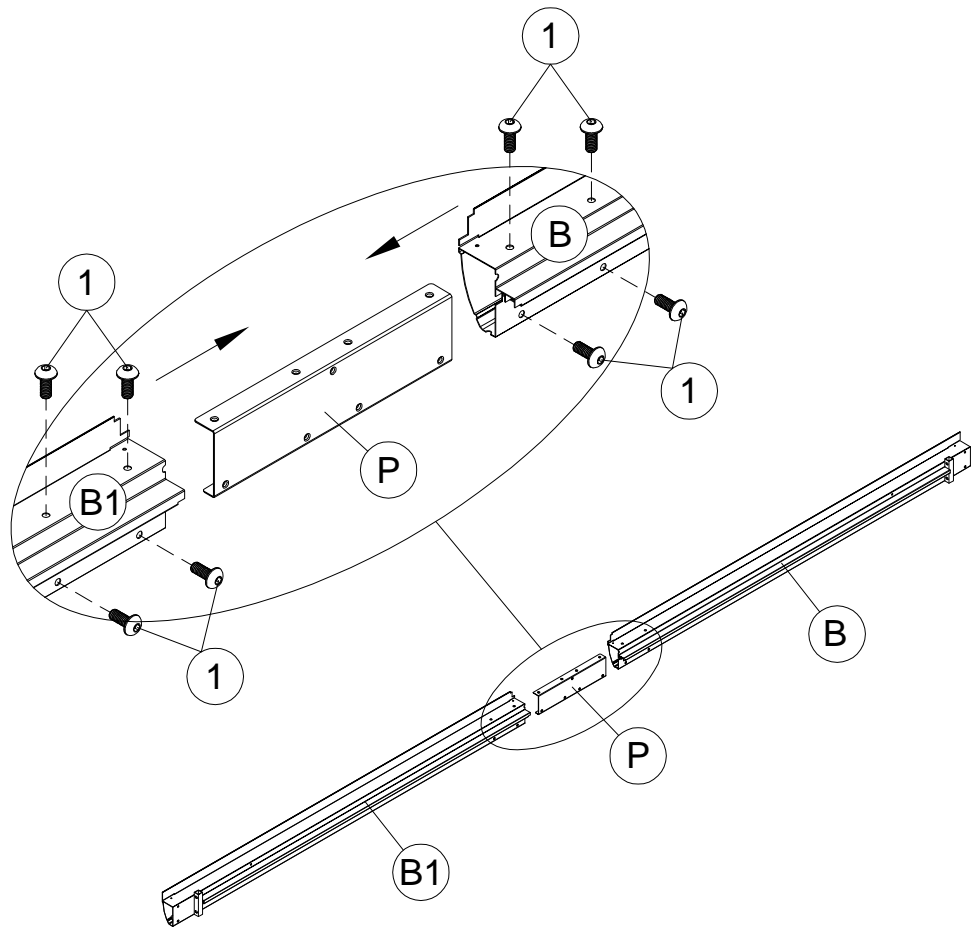


(P) 2x



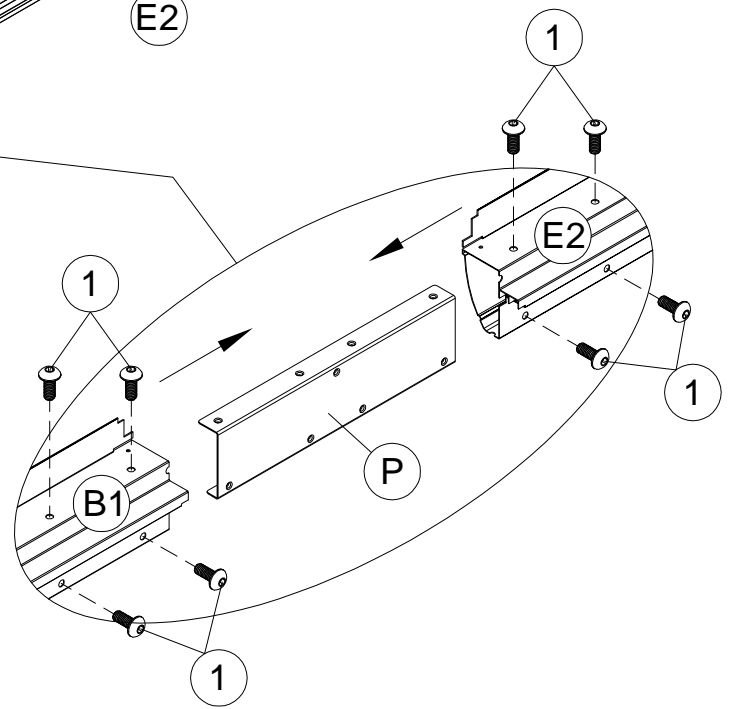
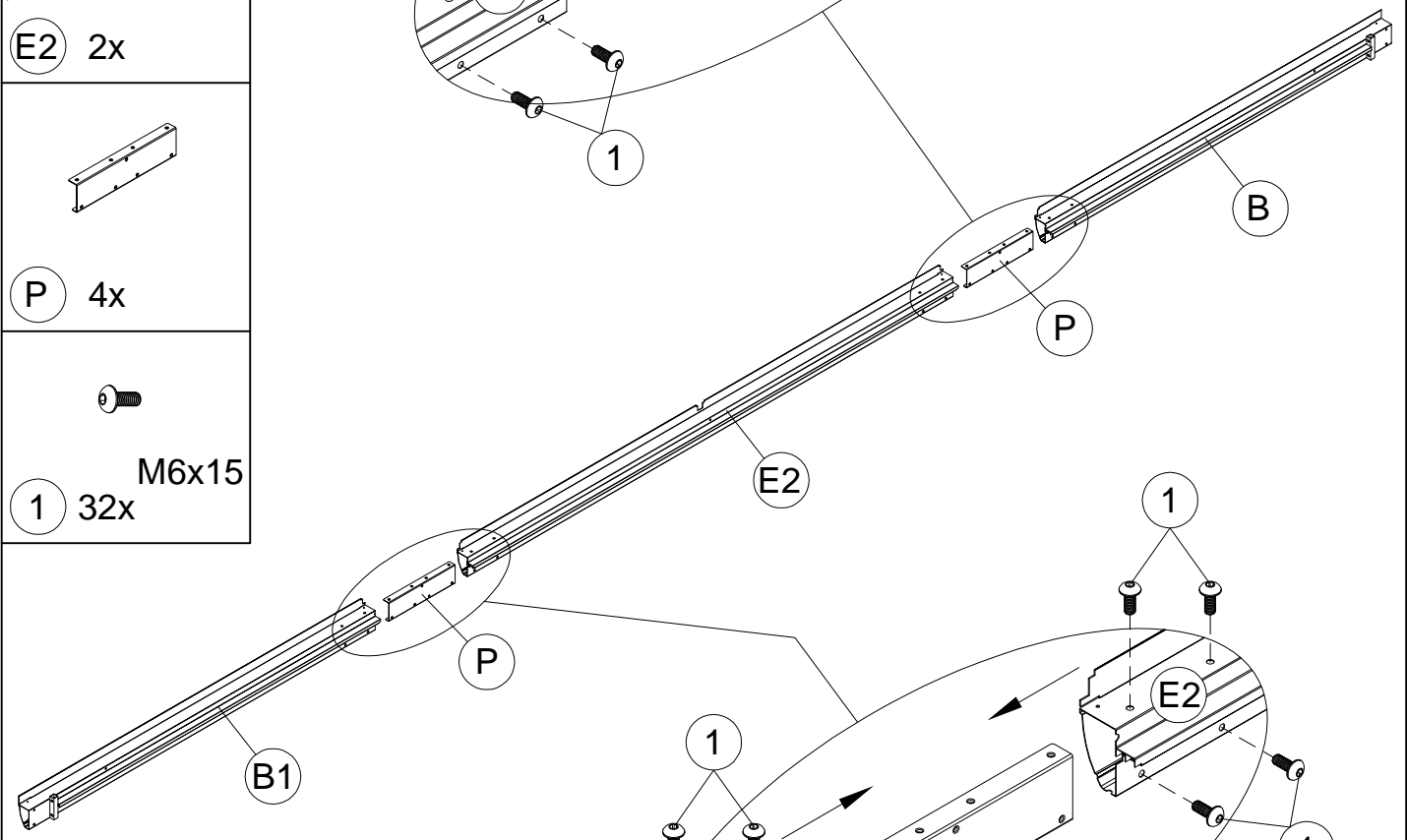
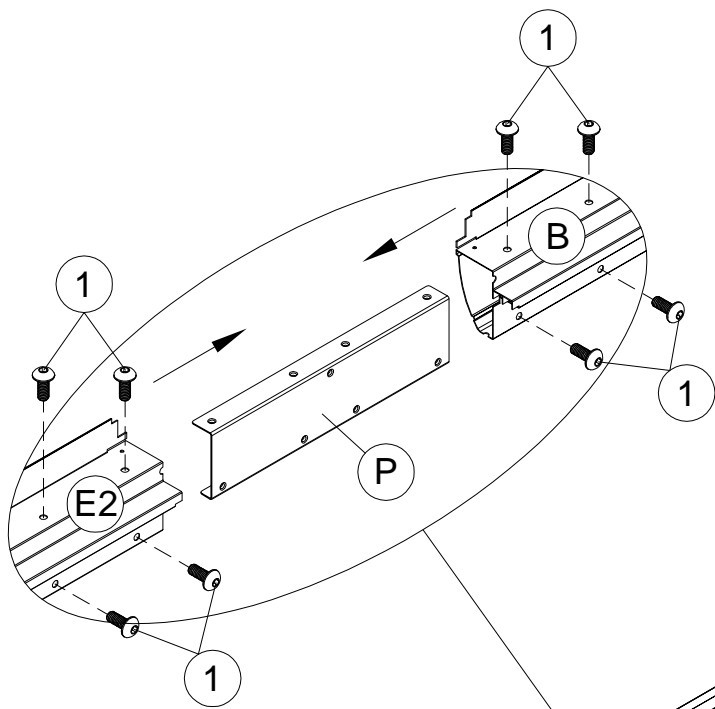
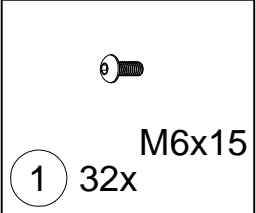
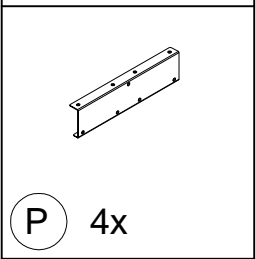
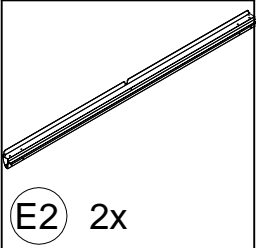
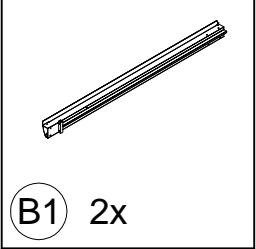
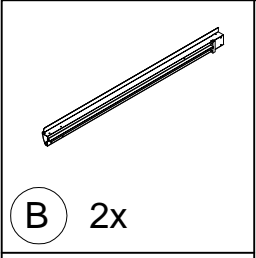
(1) 16x M6x15

<2>



6

<3>



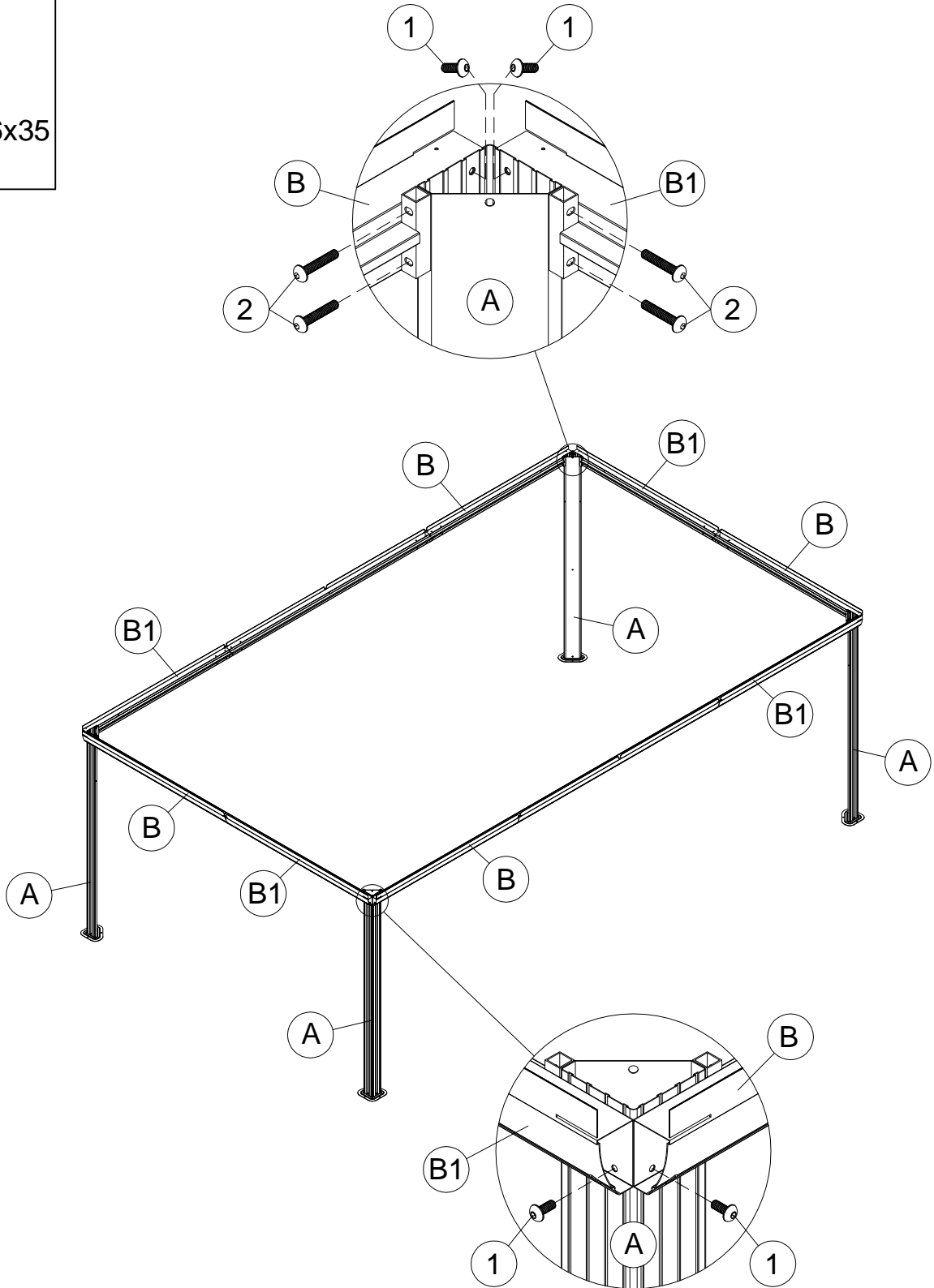


<4>

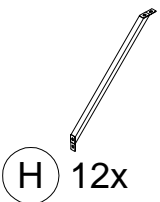
1 16x M6x15



2 16x M6x35



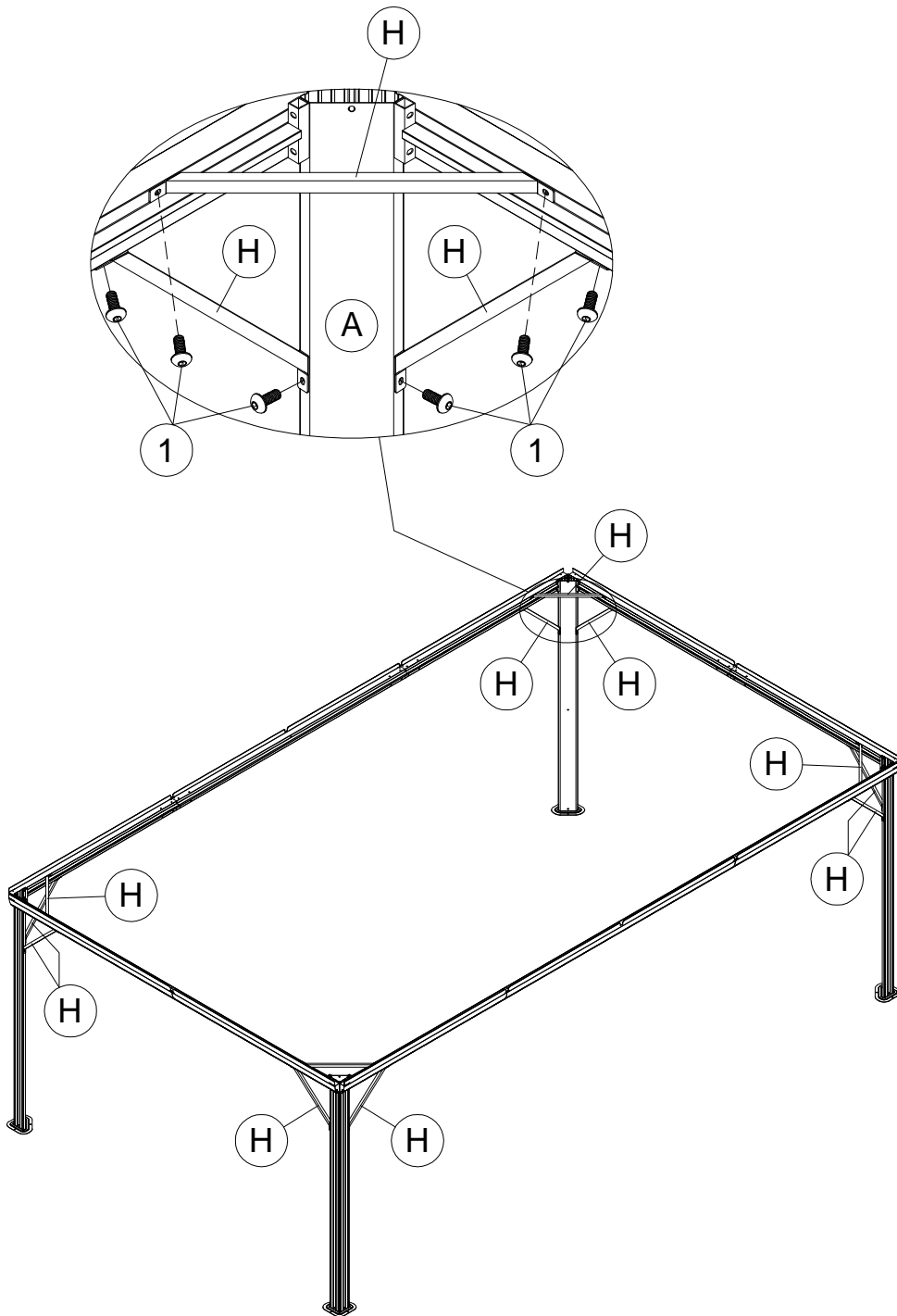
<5>

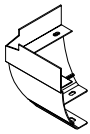


H 12x



1 M6x15
24x





(K) 4x

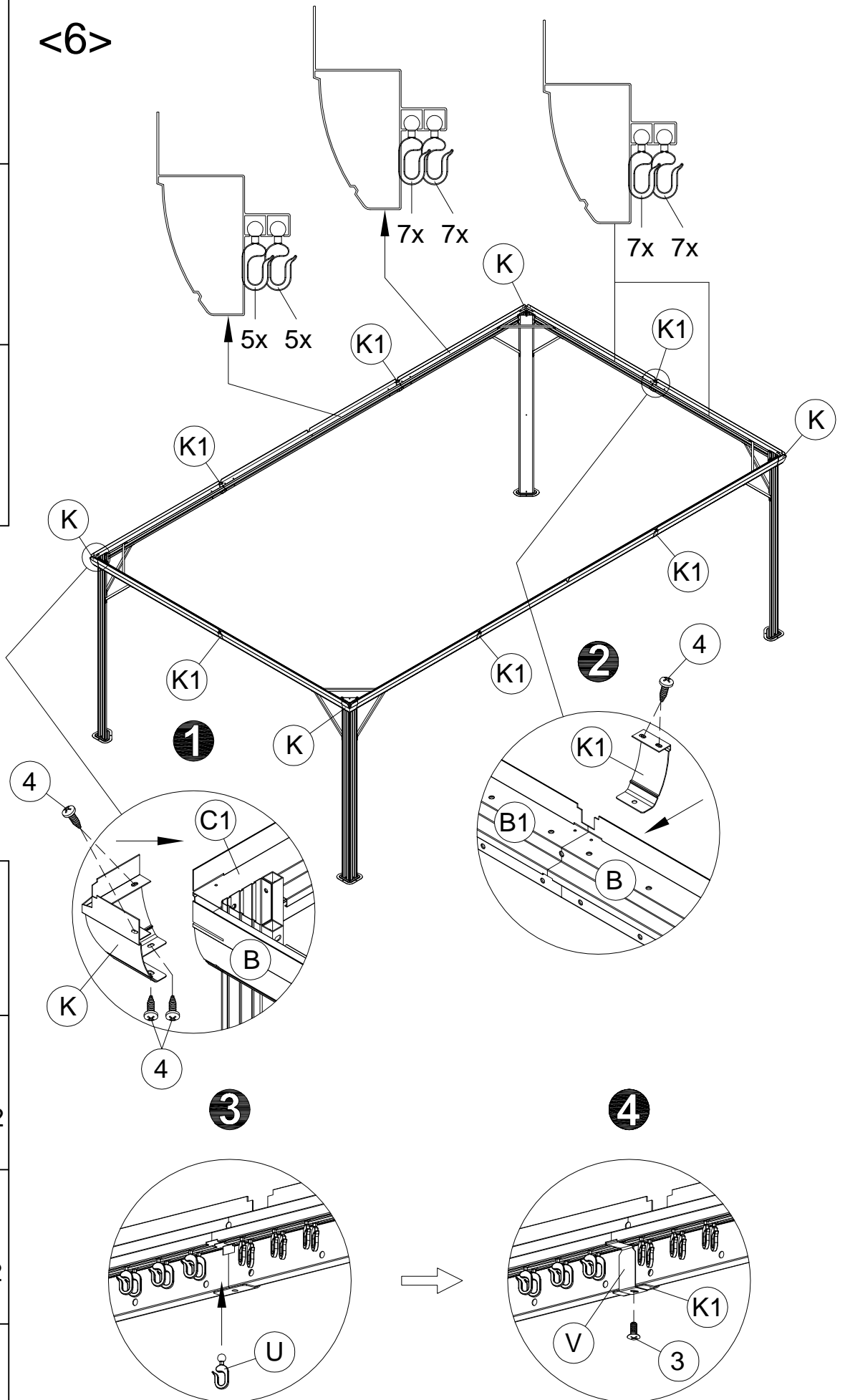


(K1) 6x



(U) 152x

<6>



(V) 6x



(3) 6x M5x12



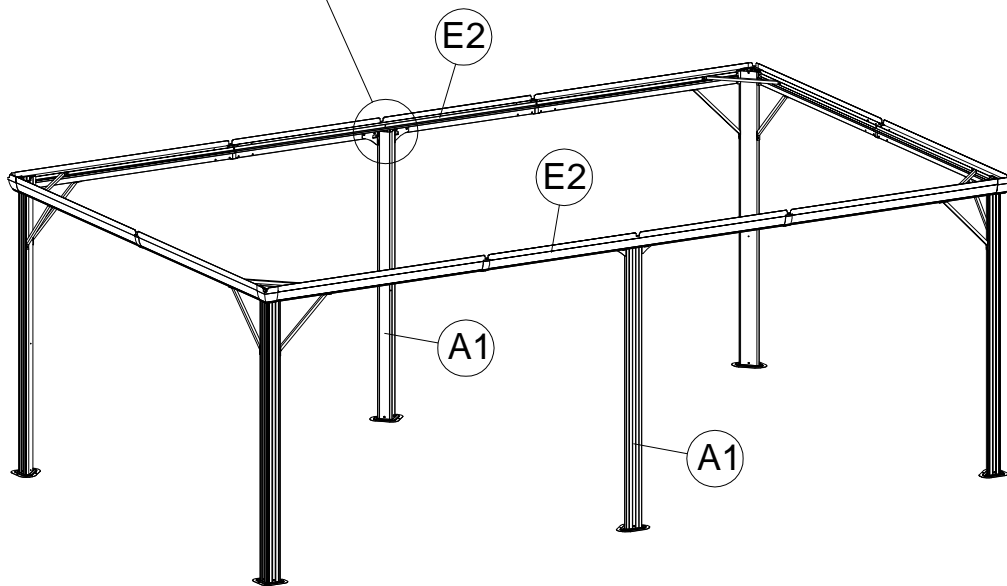
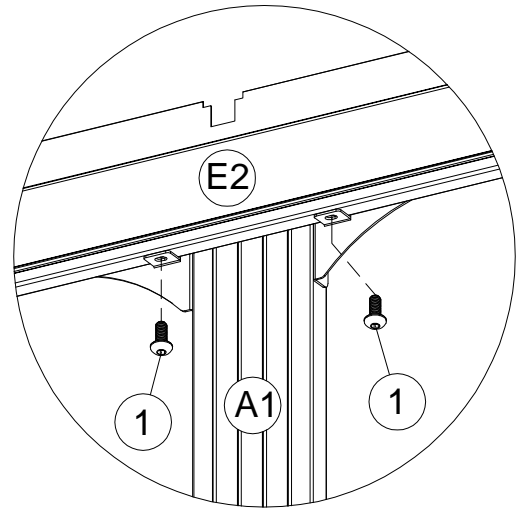
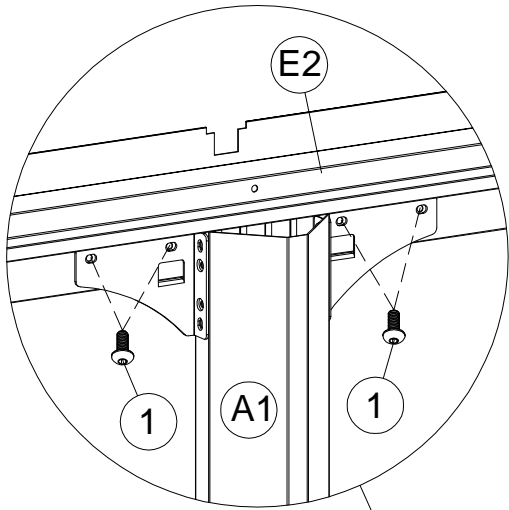
(4) 28x ST4.8x12

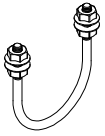
10



<7>

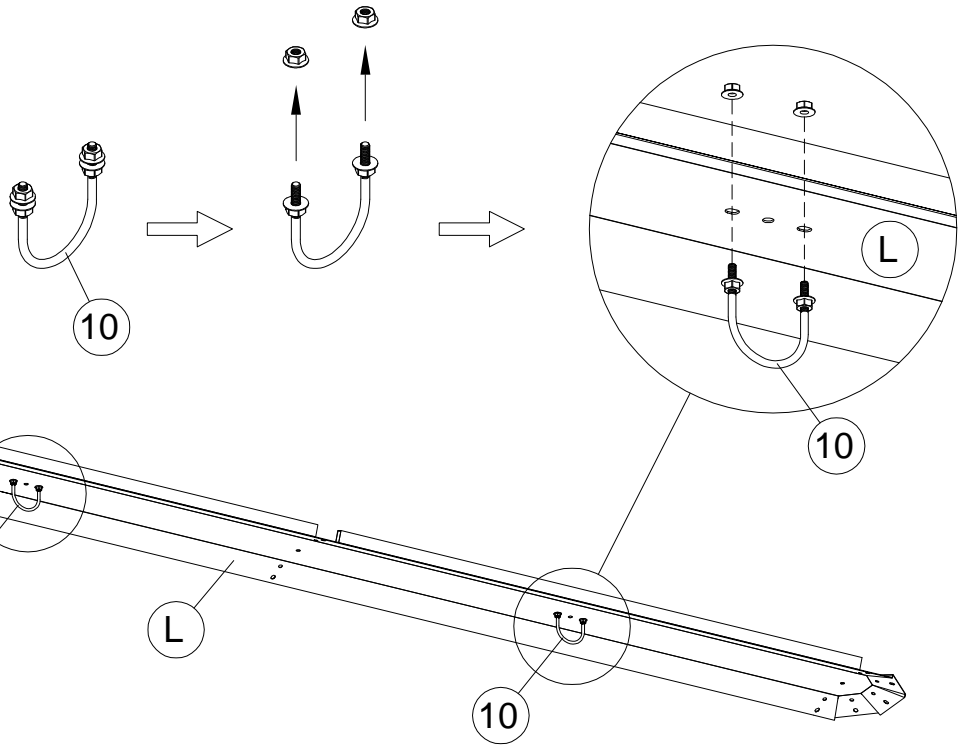
1 12x M6x15





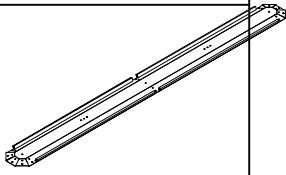
<8>

10 2x

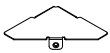




D 4x



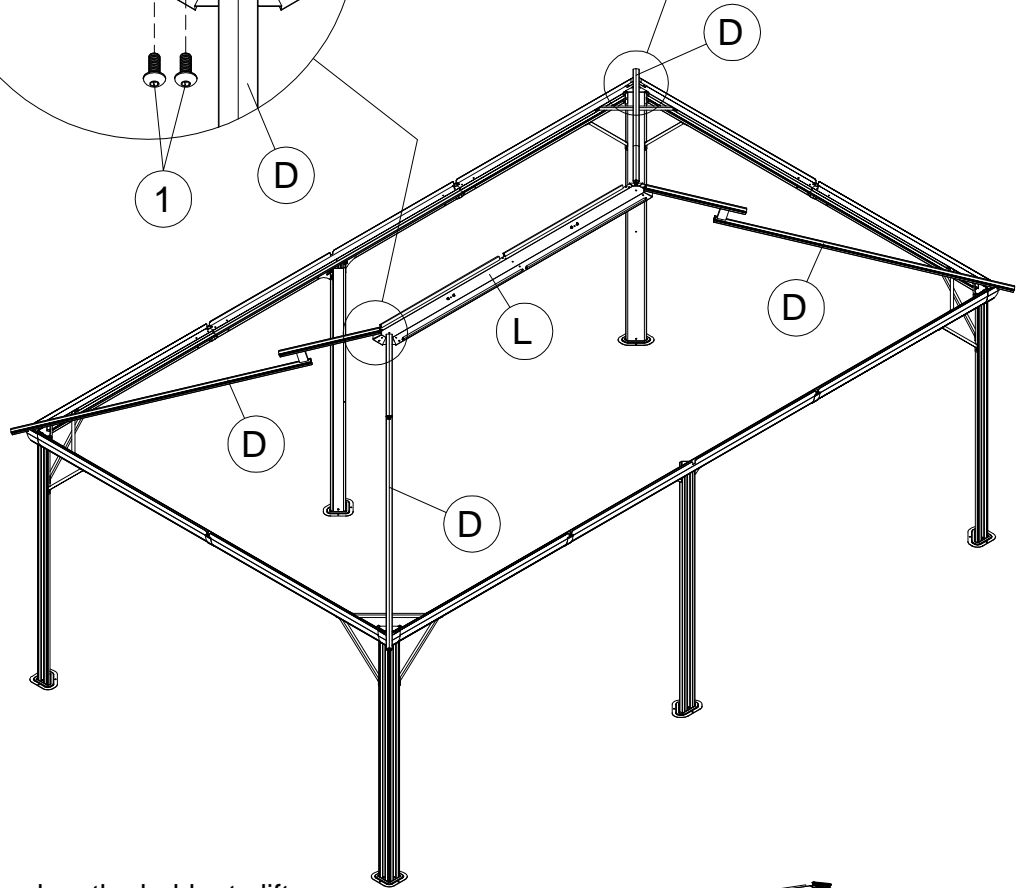
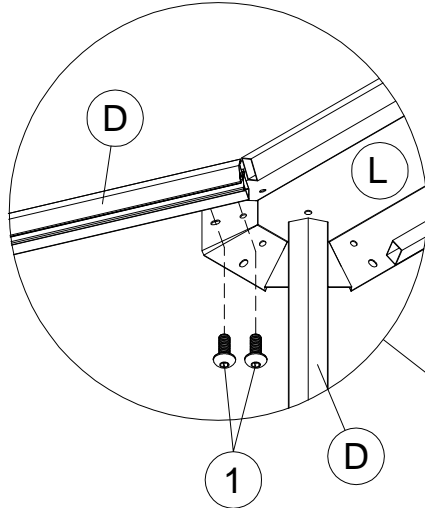
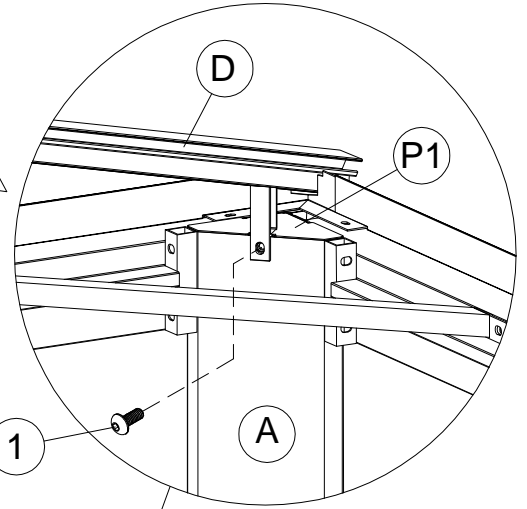
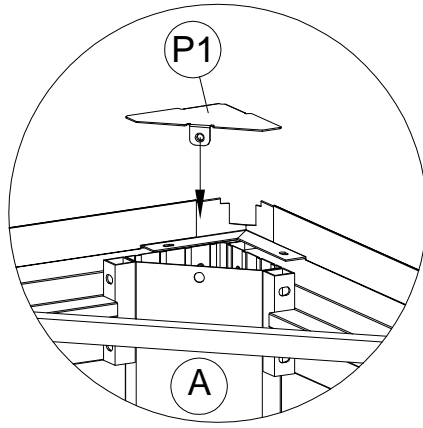
L 1x



P1 4x

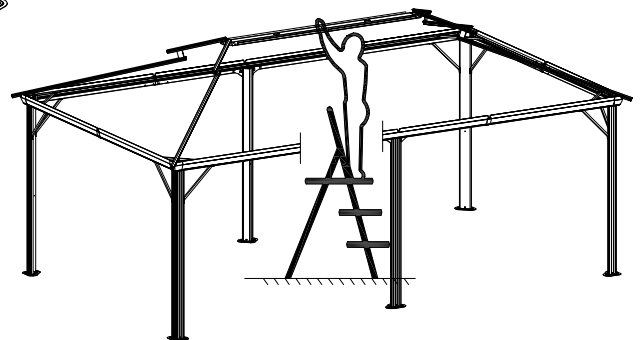


1 12x M6x15



Note:

1. Let one person stand on the ladder to lift " L " and hold, and let others fasten the screws connecting both ends of " D " .
2. Please do not let go of holding " L " until all the " D " screws are installed.



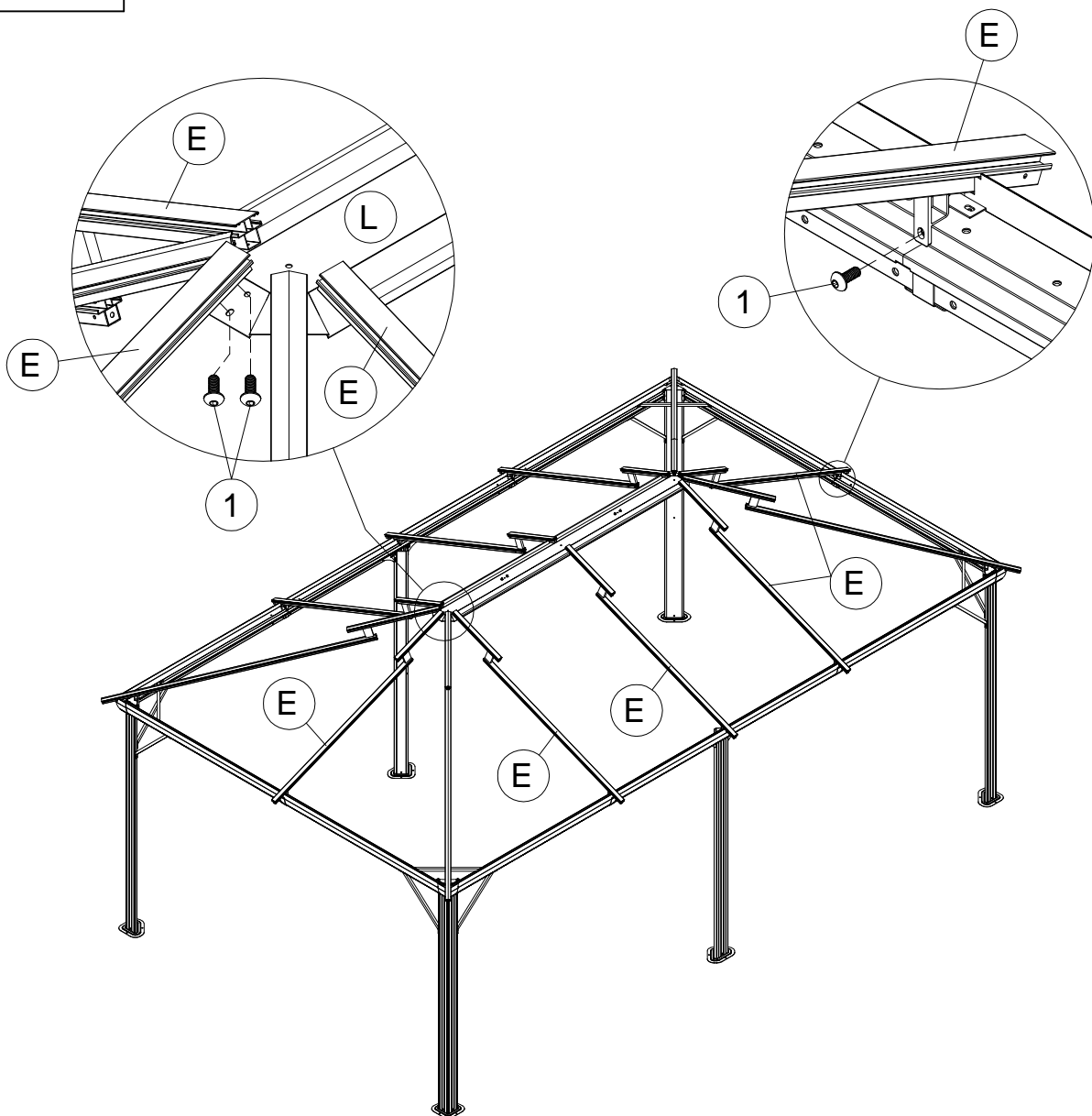


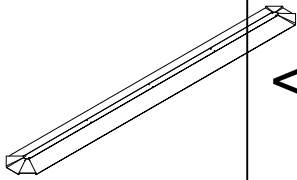
<10>

E 8x



1 M6x15
24x



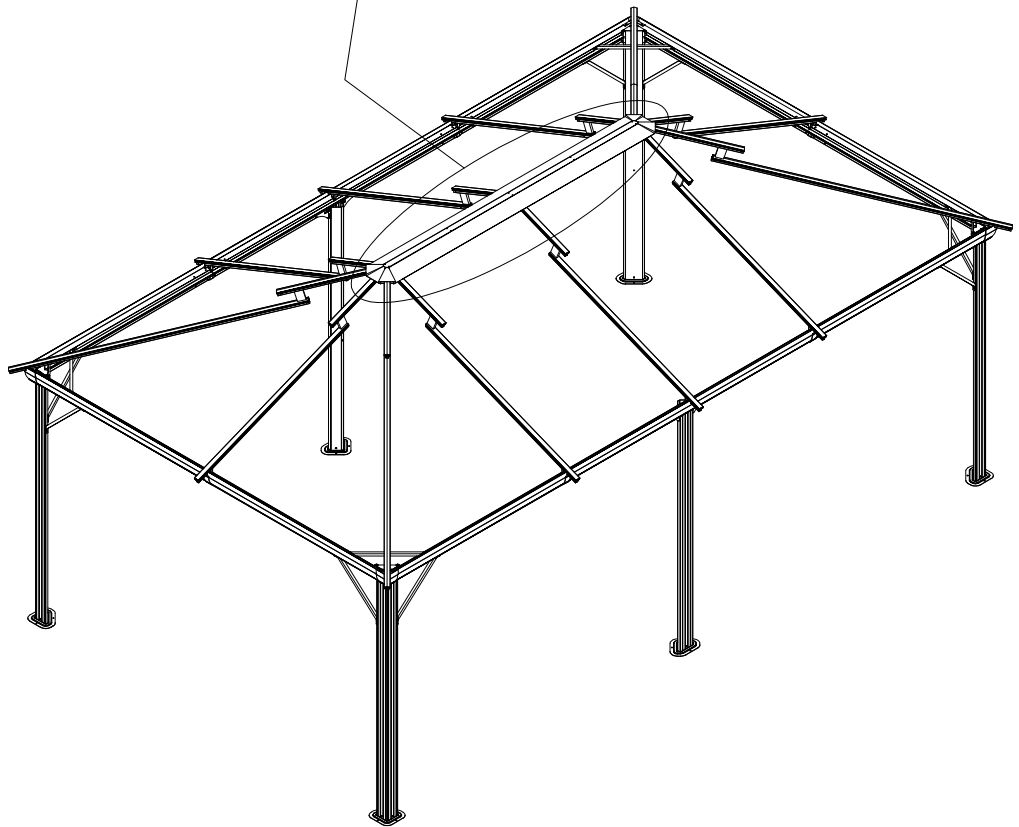
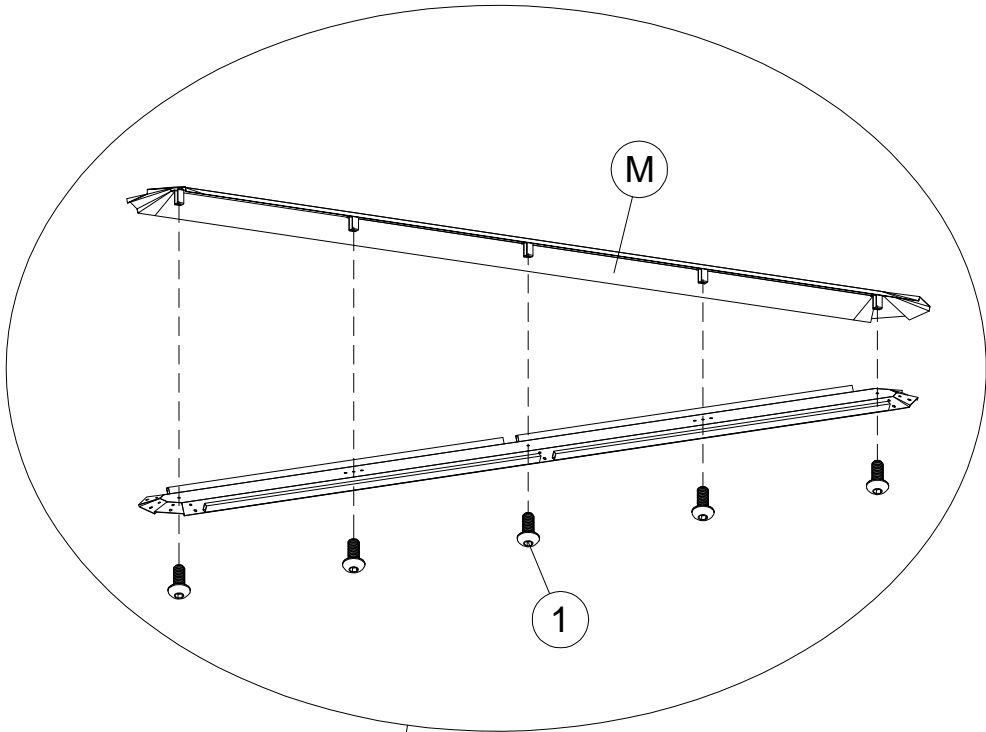


<11>

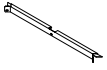
M 1x



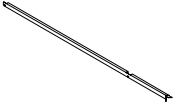
1 5x M6x15



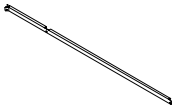
<12>



G5 2x



W 2x



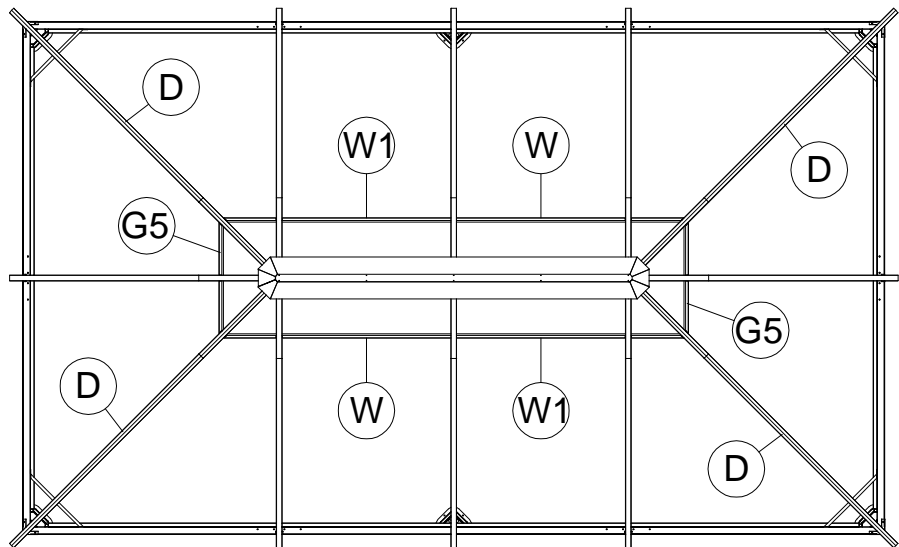
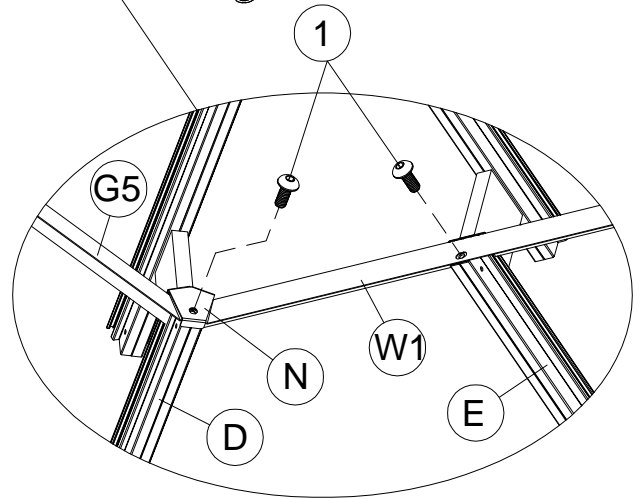
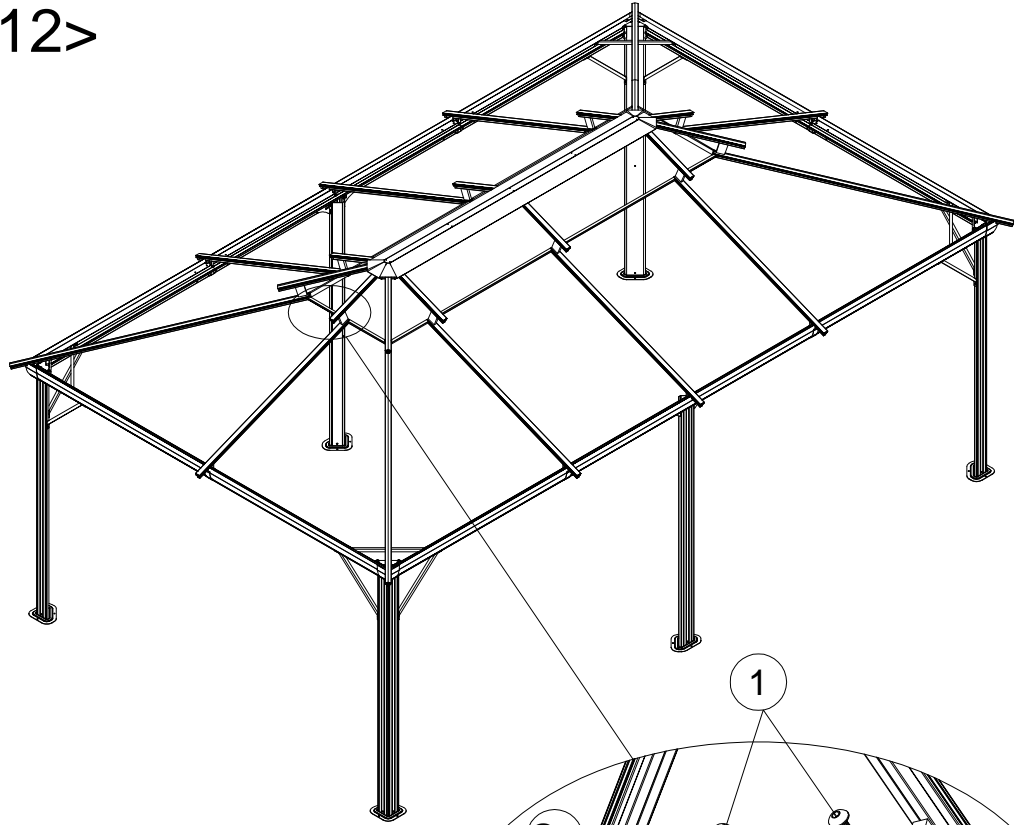
W1 2x

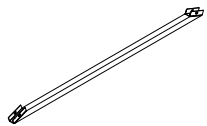


N 4x



1 12x M6x15



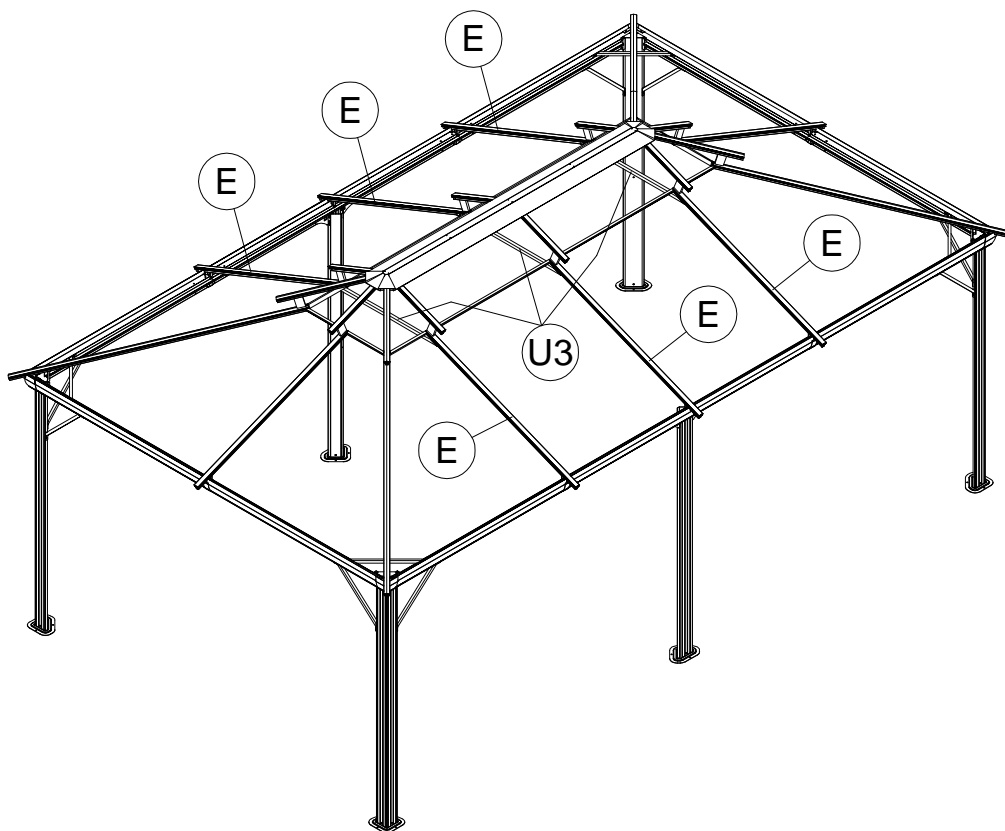
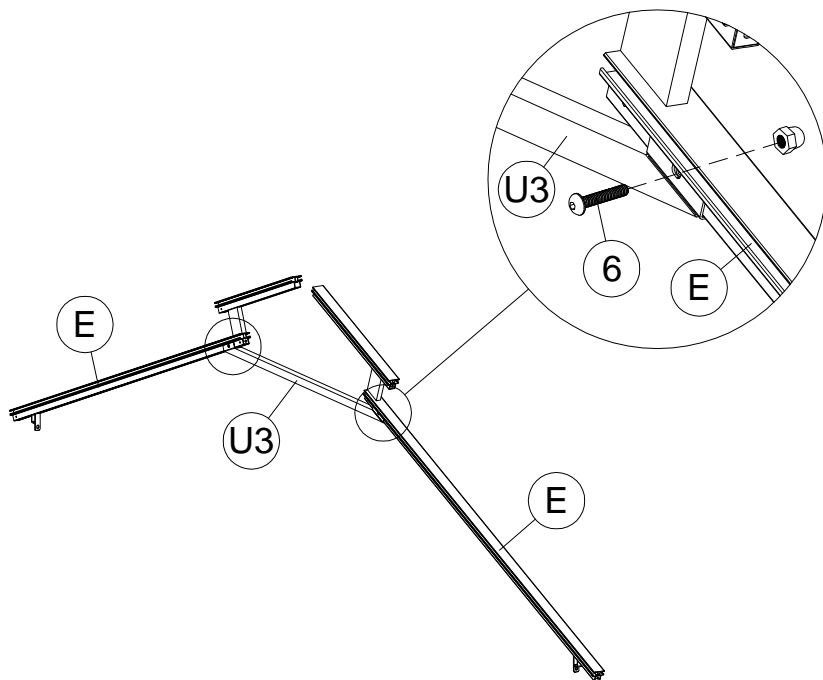


U3 3x



6 M6x30
6x

<13>



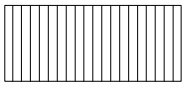
<14>



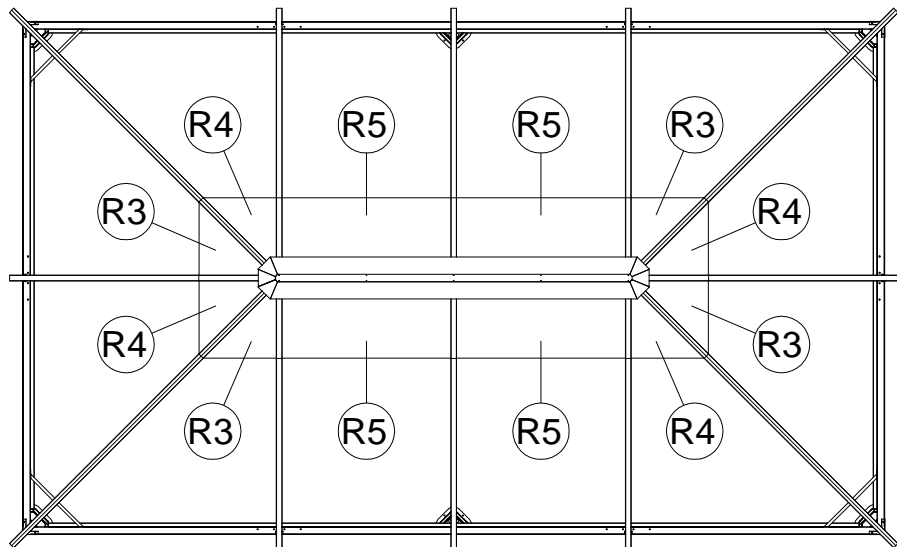
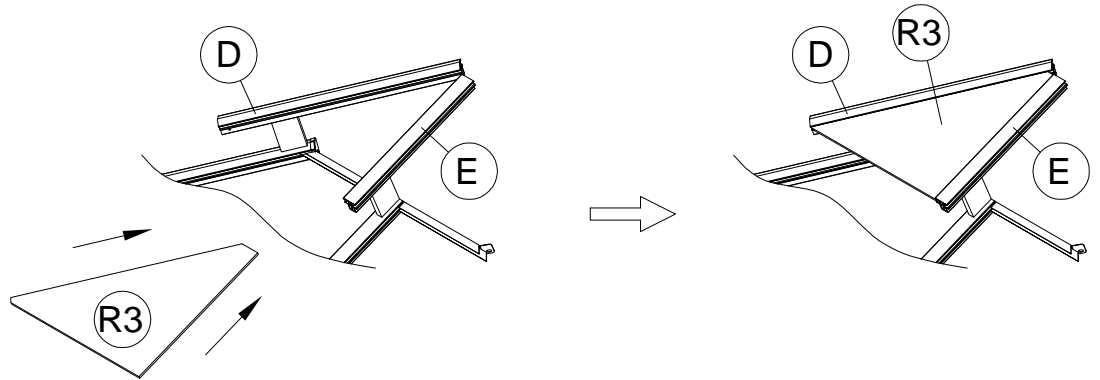
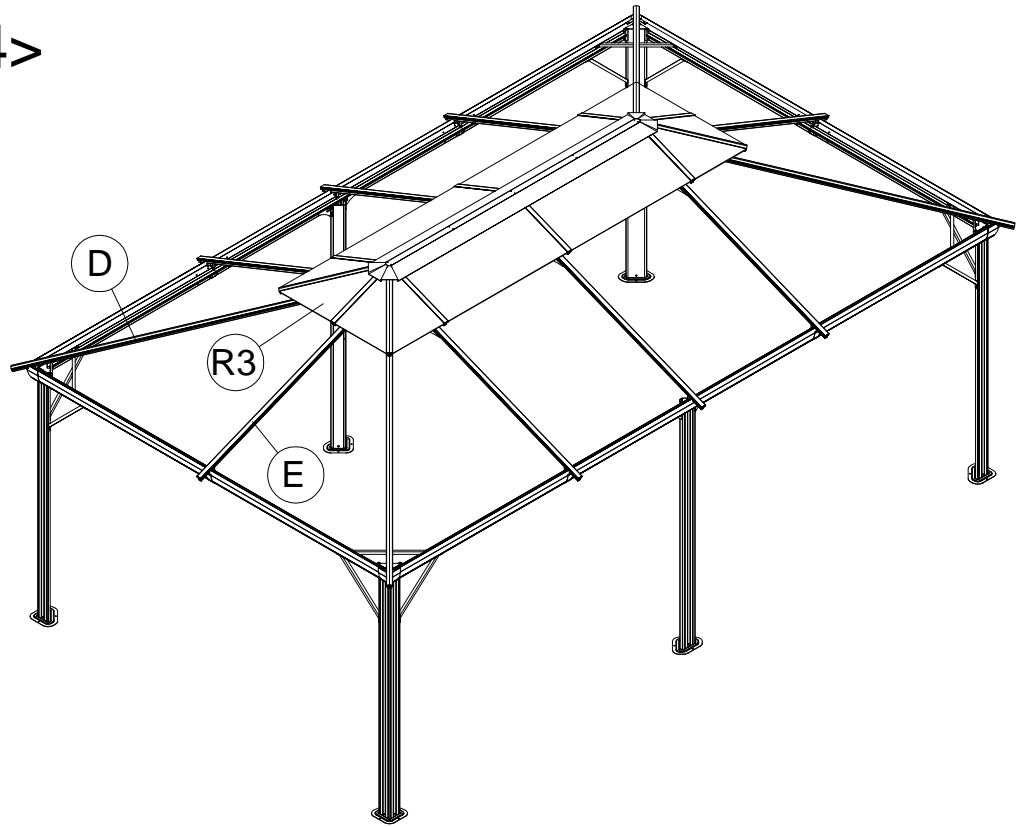
R3 4x



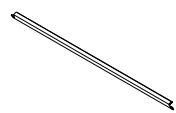
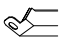


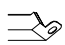



R4 4x

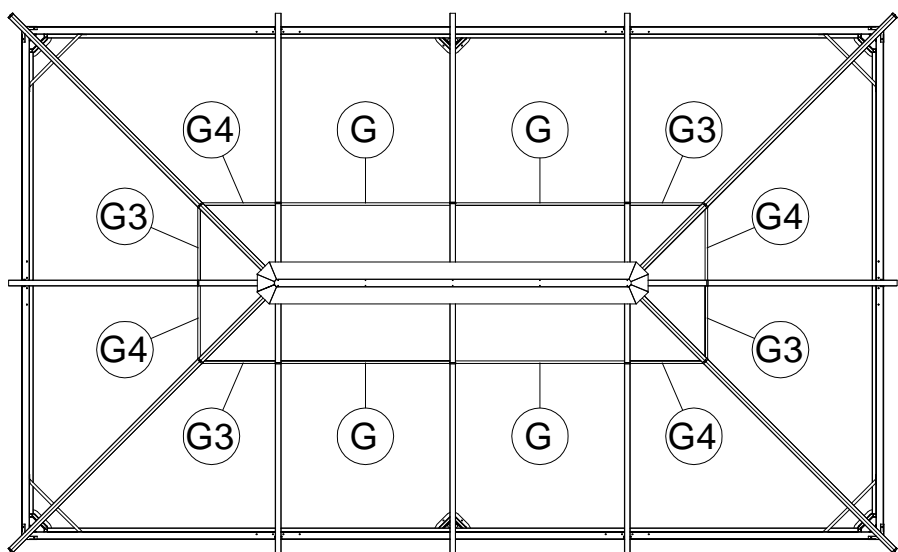
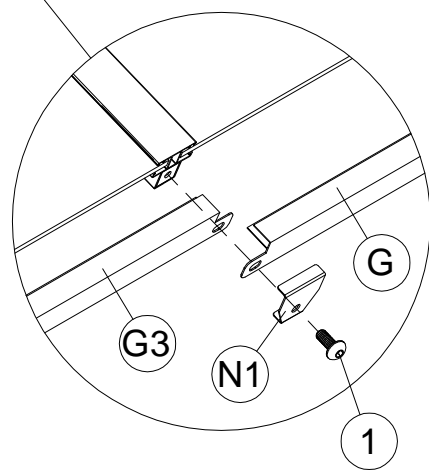
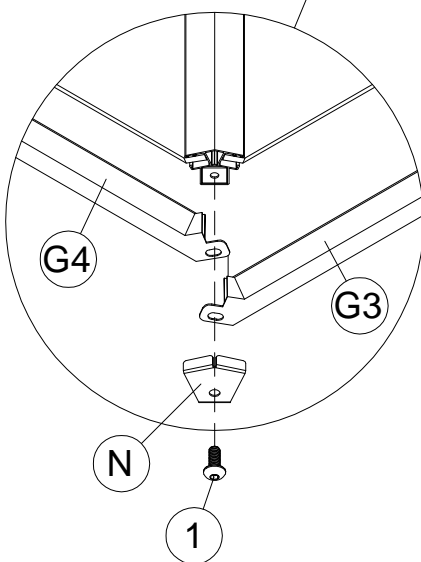
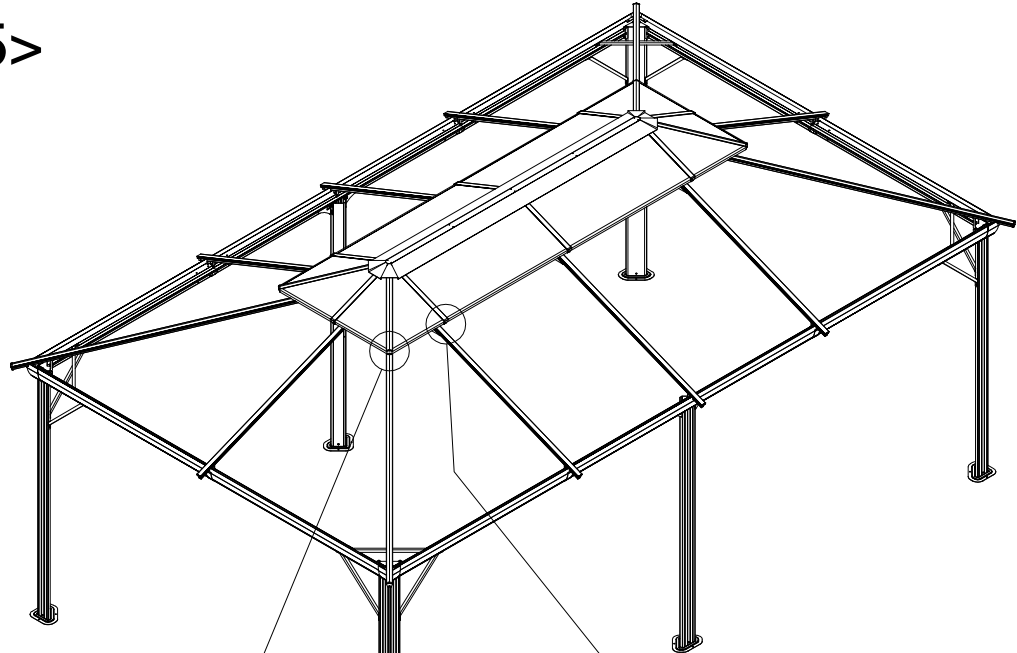


R5 4x



<15>

-  **G** 4x
-   **G3** 4x
-   **G4** 4x
-  **N** 4x
-  **N1** 8x
-  **1** 12x M6x15



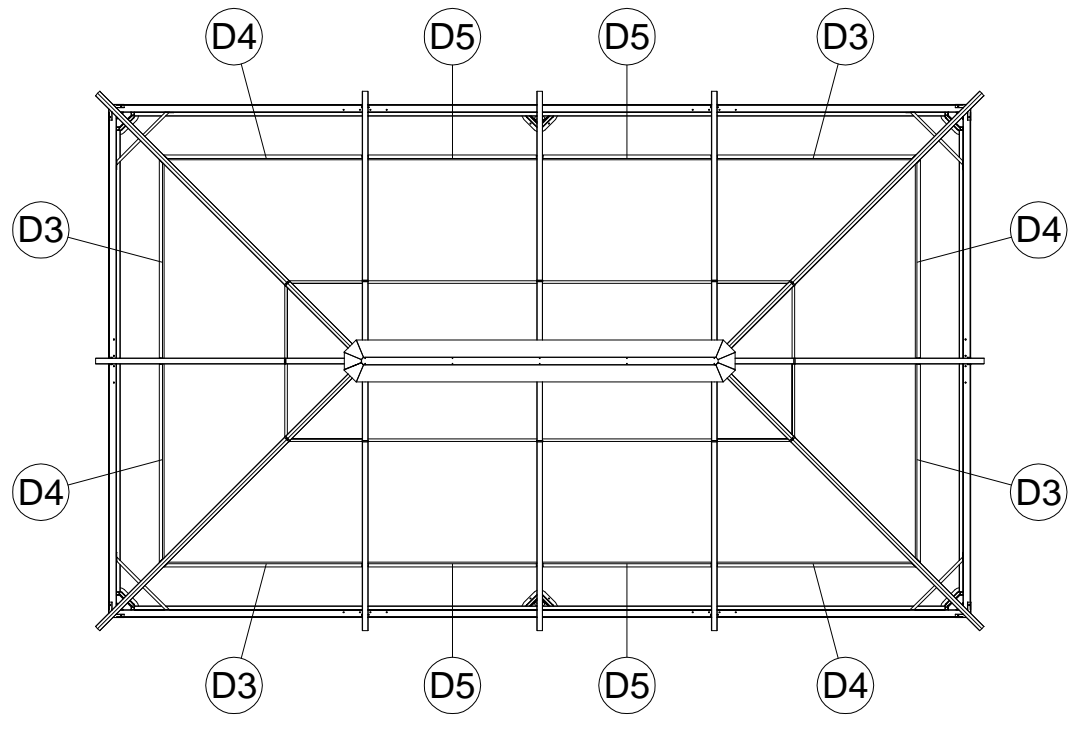
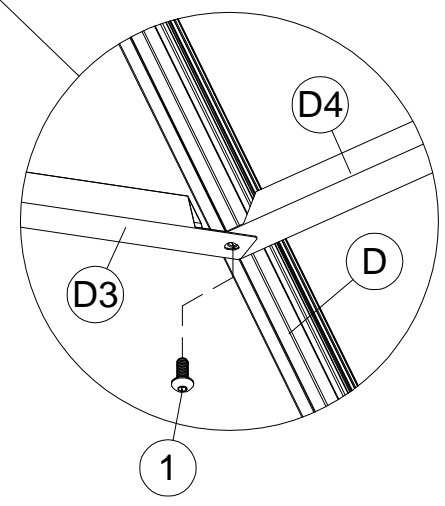
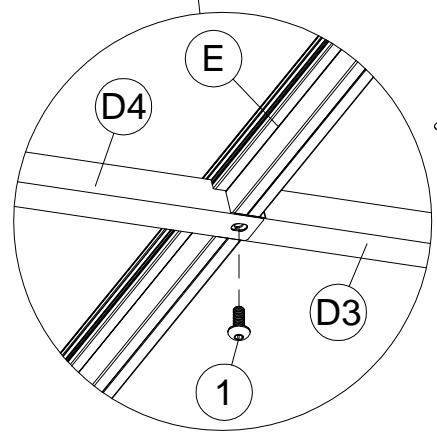
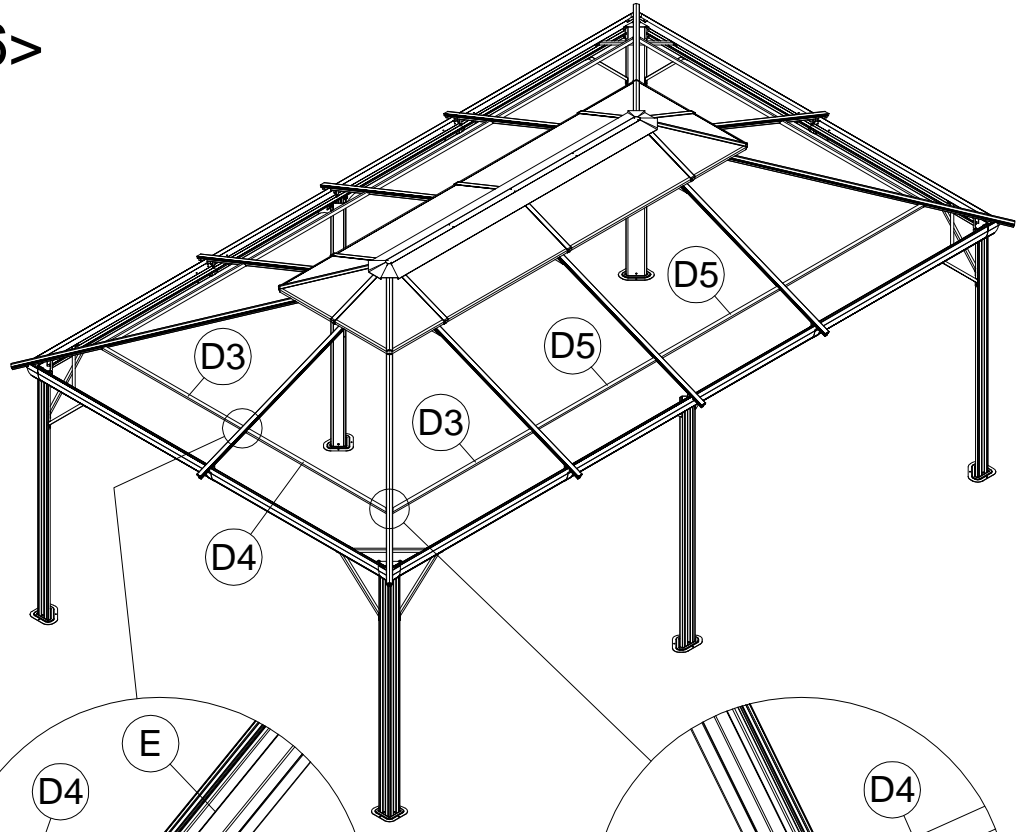
<16>

D3 4x

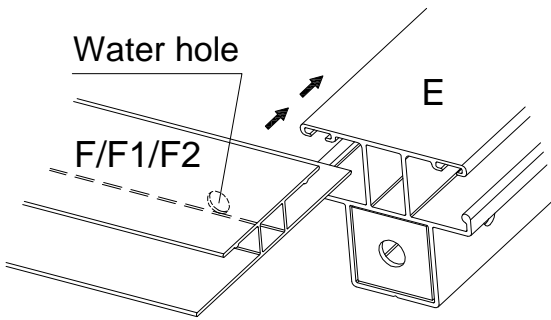
D4 4x

D5 4x

1 12x M6x15



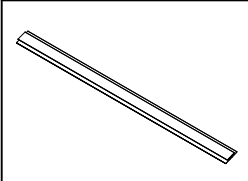
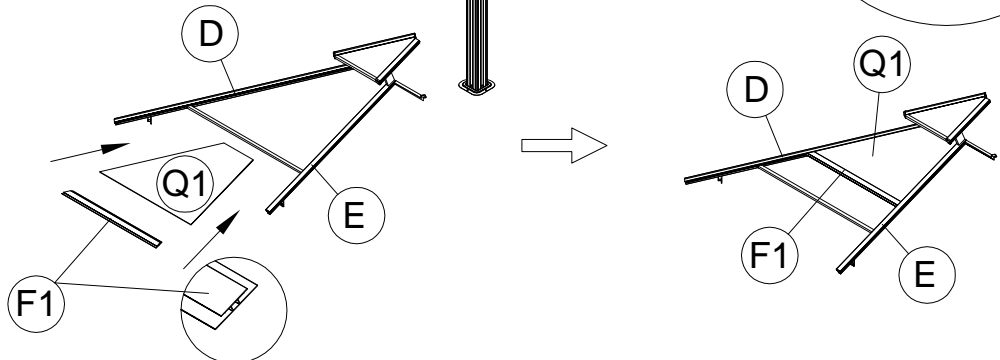
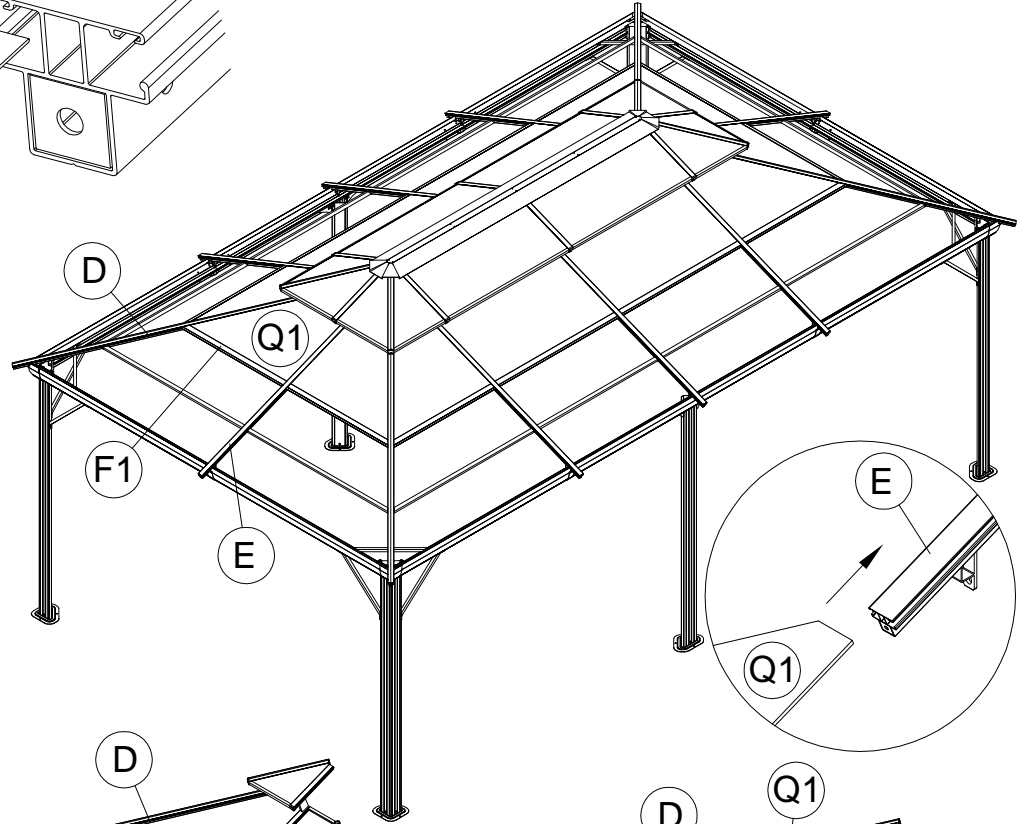
<17>



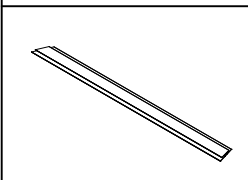
Note:

1. When F1 or F2 or F slide into the E, the wide side must be face down and narrow side face up, otherwise will cause water leaking

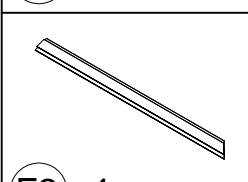
2. F or F1 or F2 the water holes inside of the tube must be face up. otherwise will cause water leaking



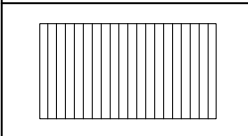
F 4x



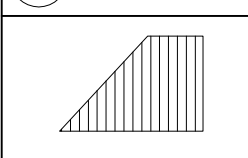
F1 4x



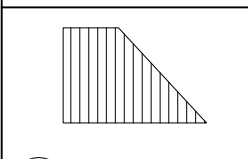
F2 4x



Q 4x

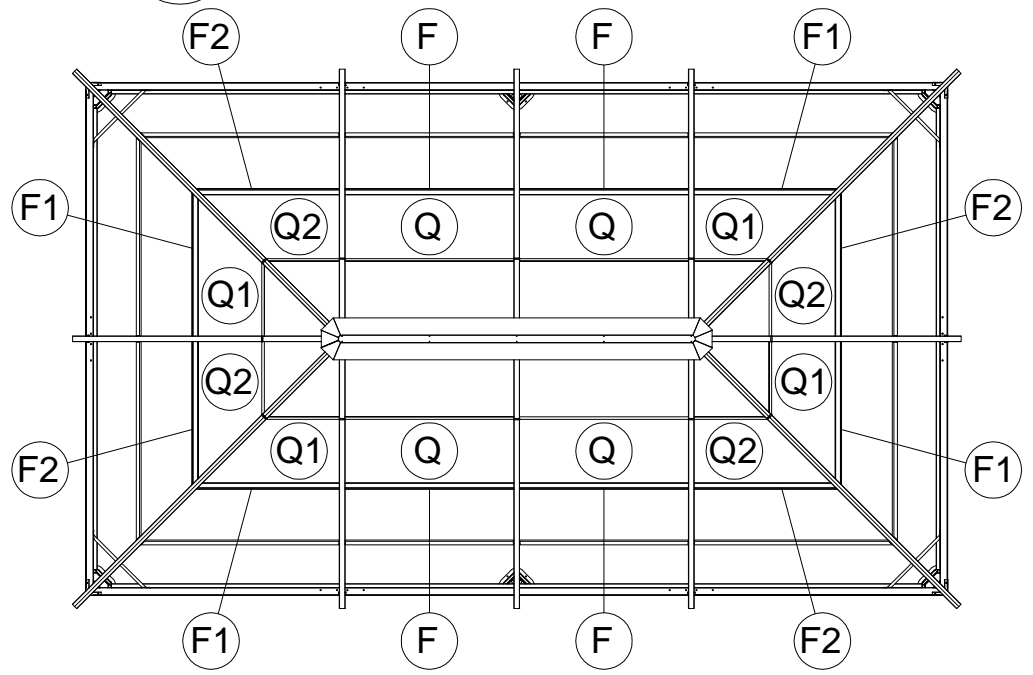


Q1 4x

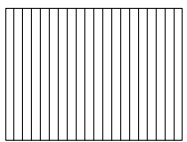


Q2 4x

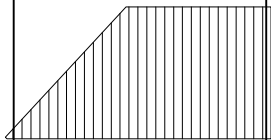
21



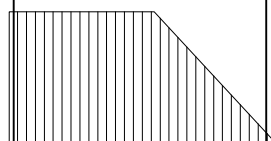
<18>



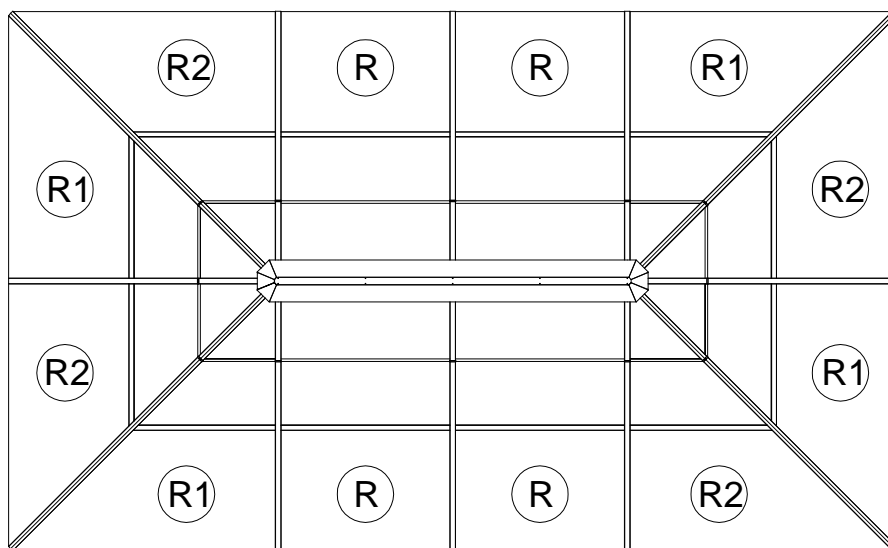
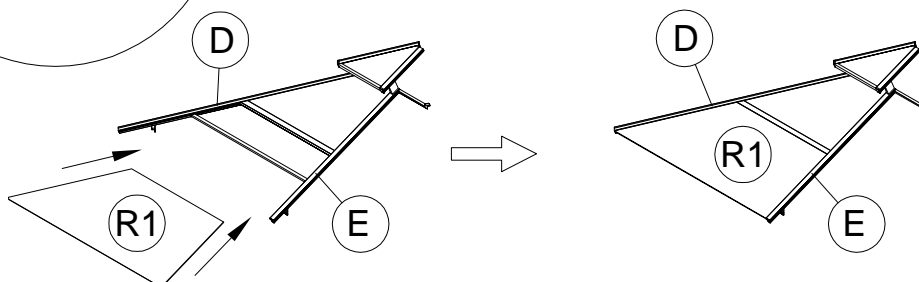
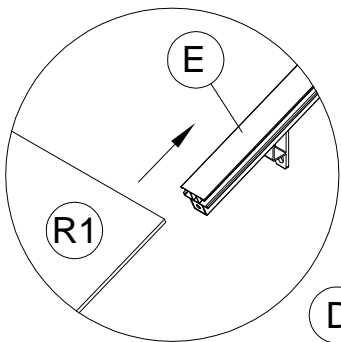
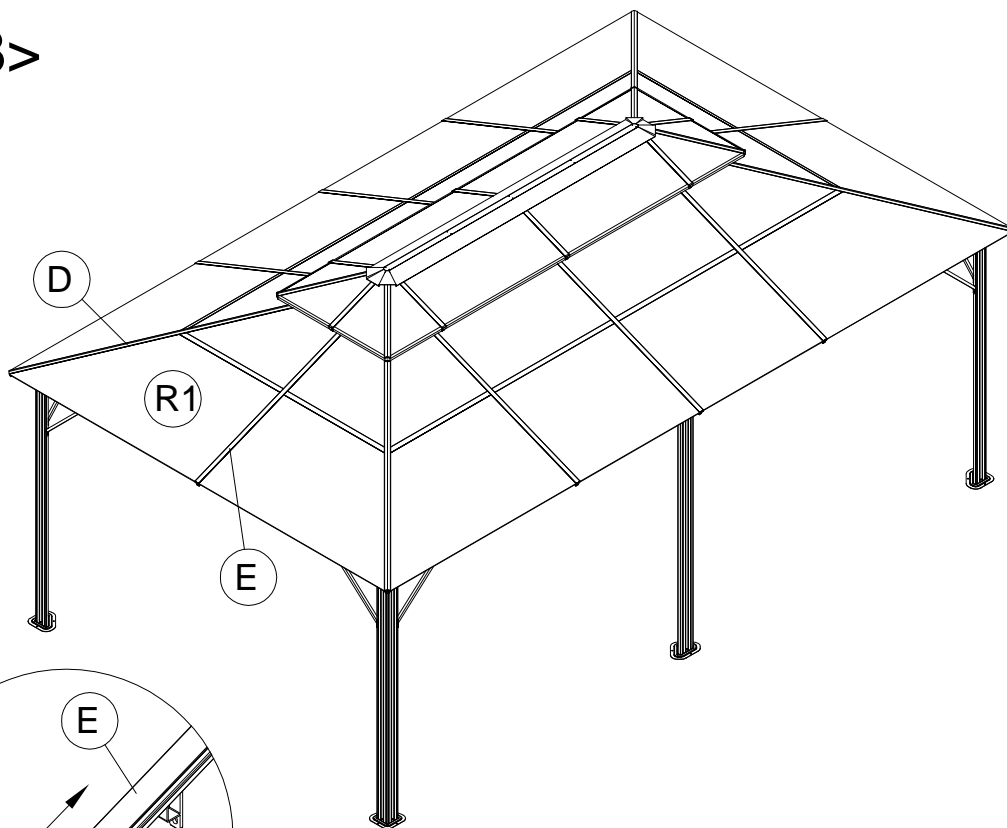
(R) 4x



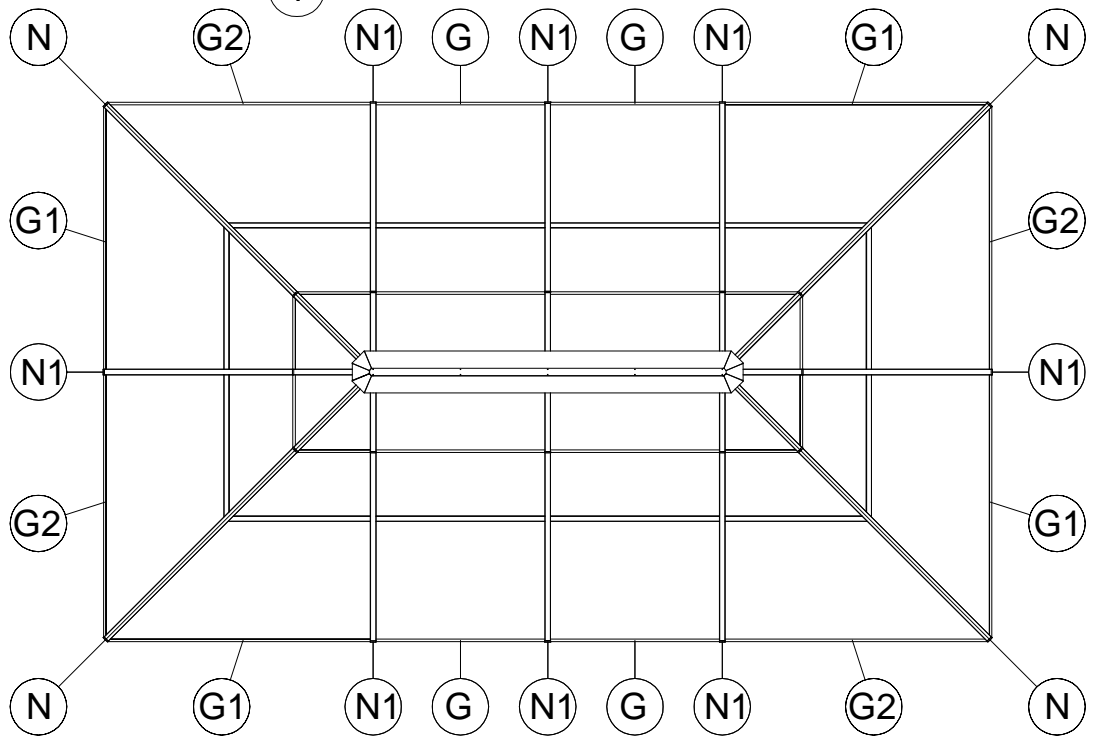
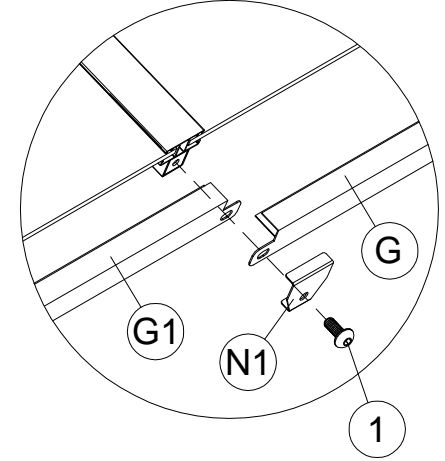
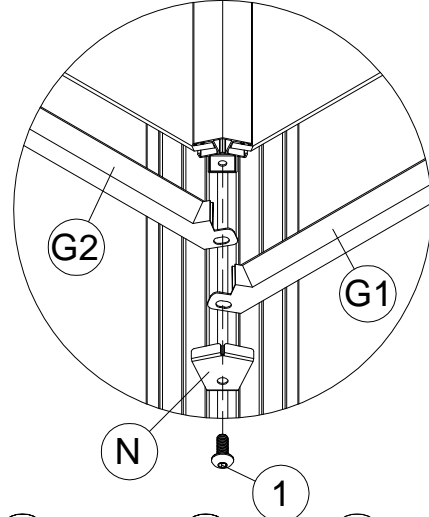
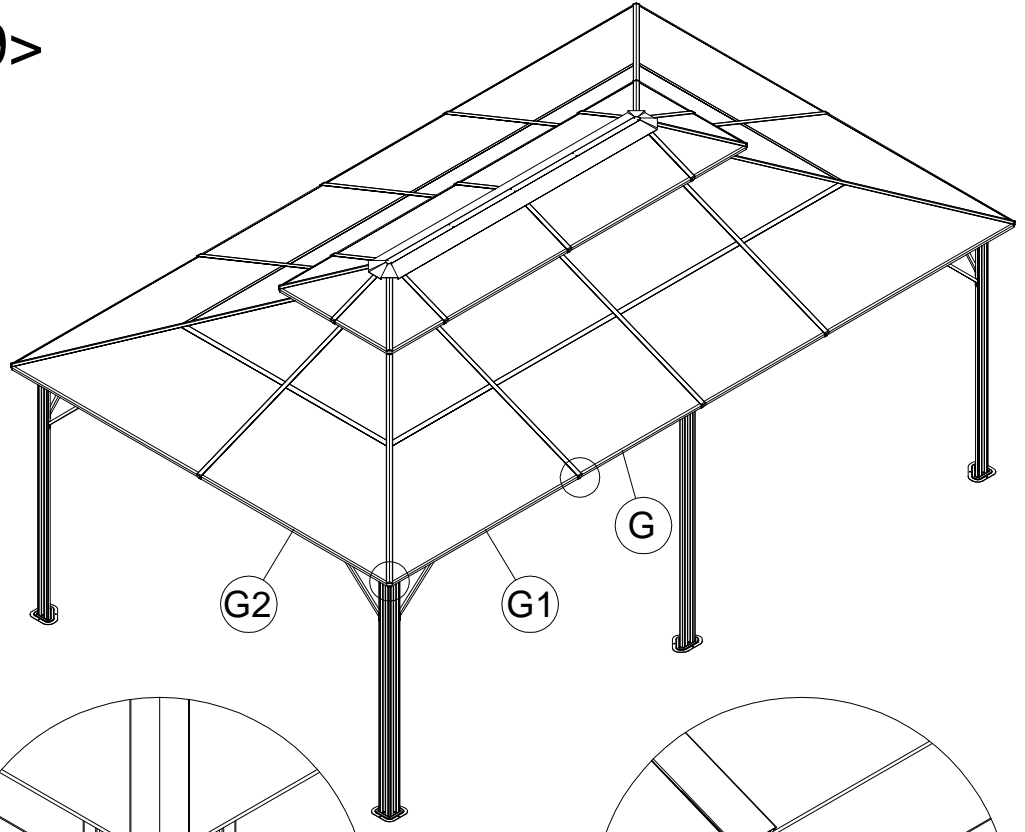
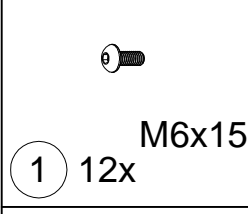
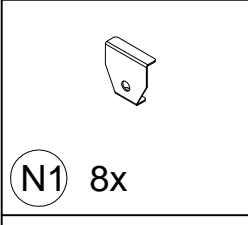
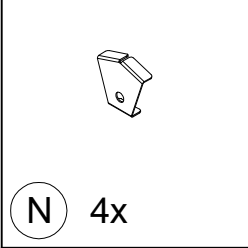
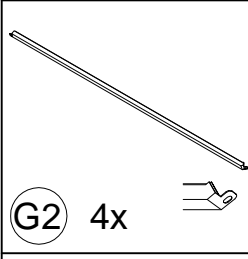
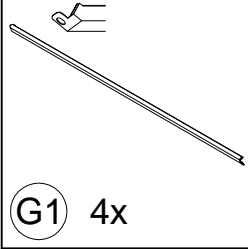
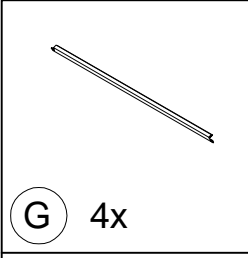
(R1) 4x

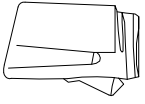


(R2) 4x



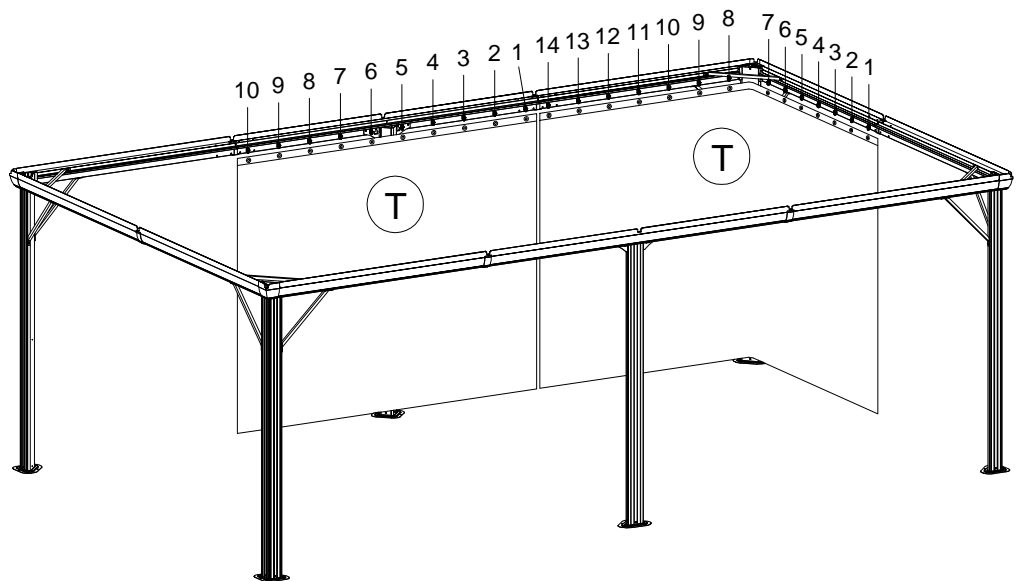
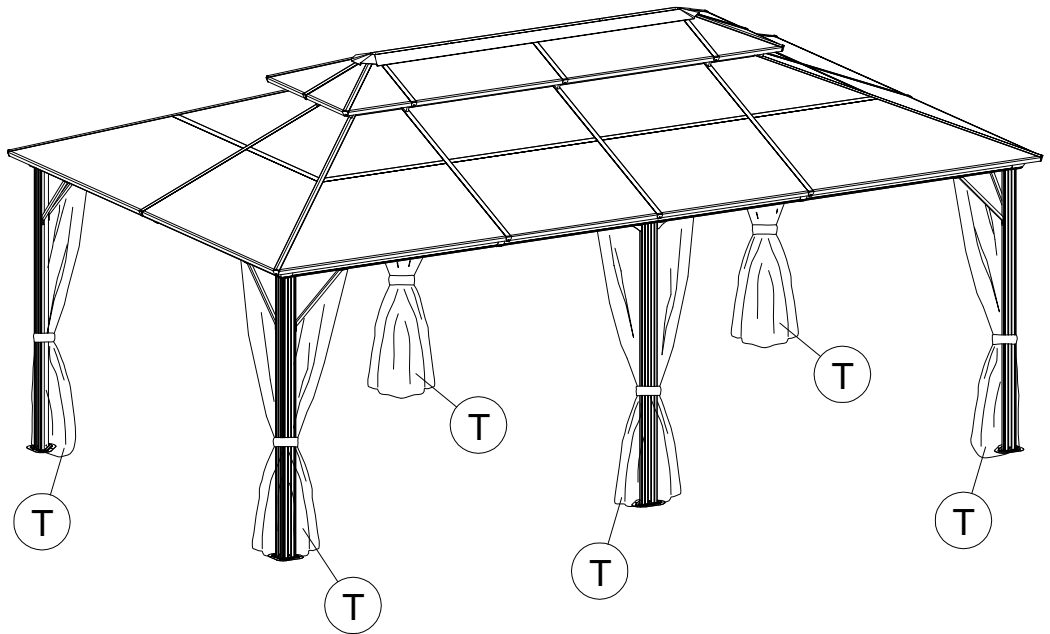
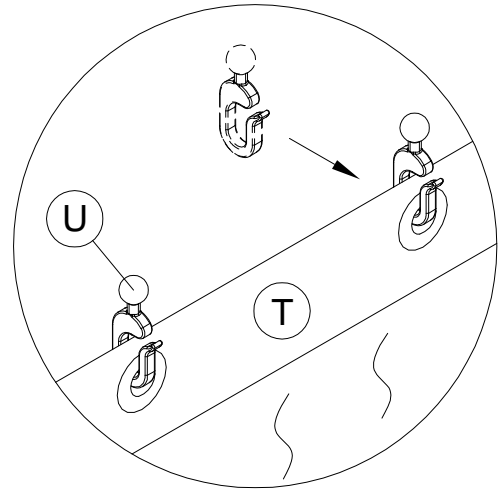
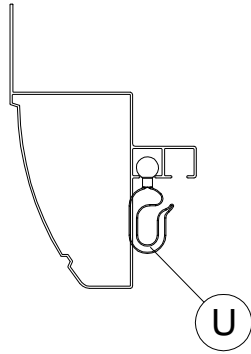
<19>

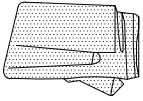




<20>

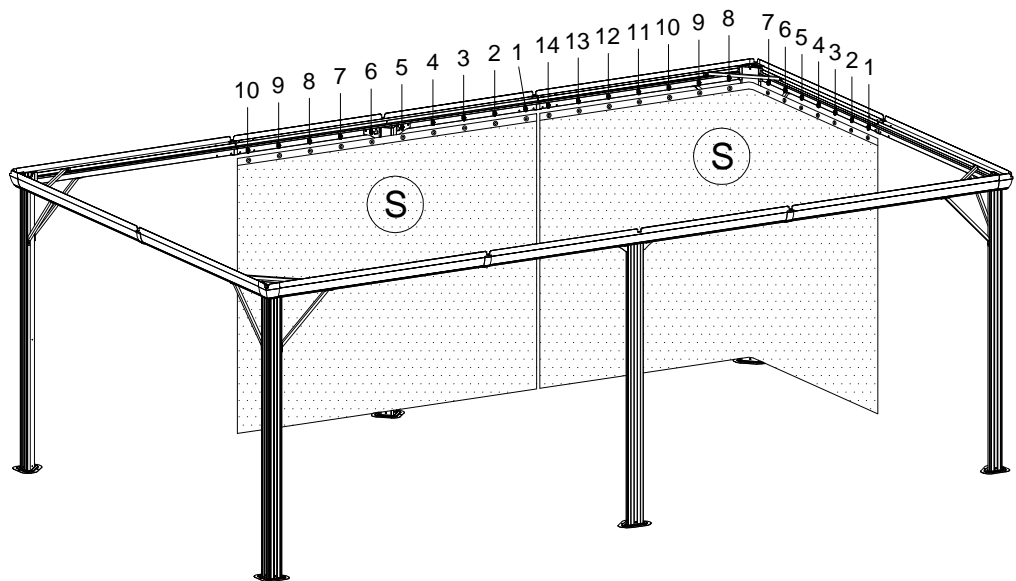
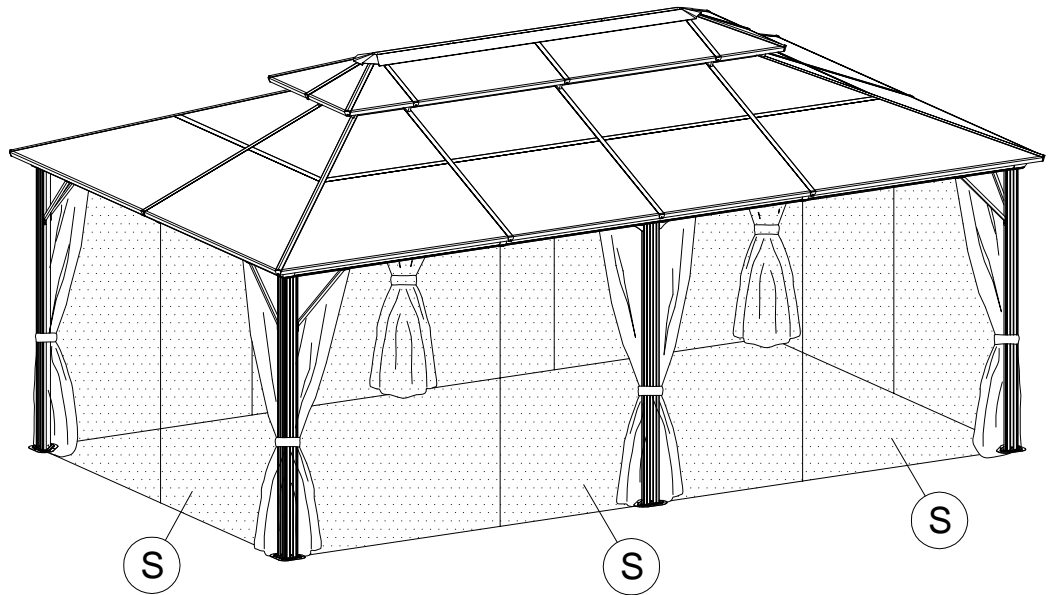
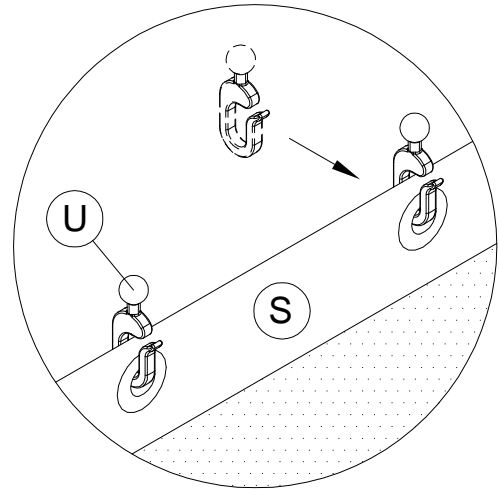
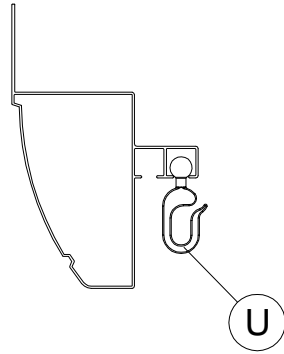
T 4x + 2x





<21>

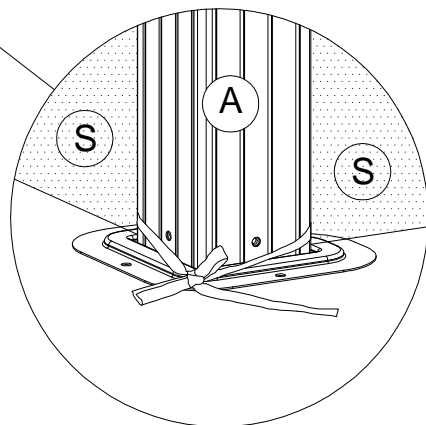
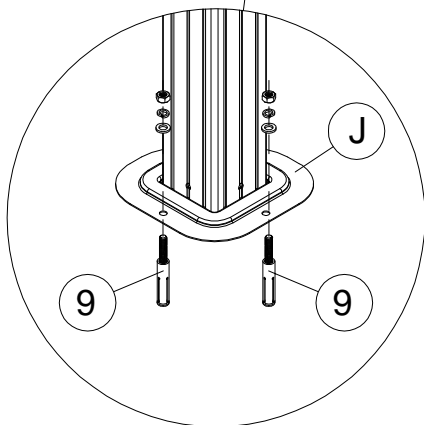
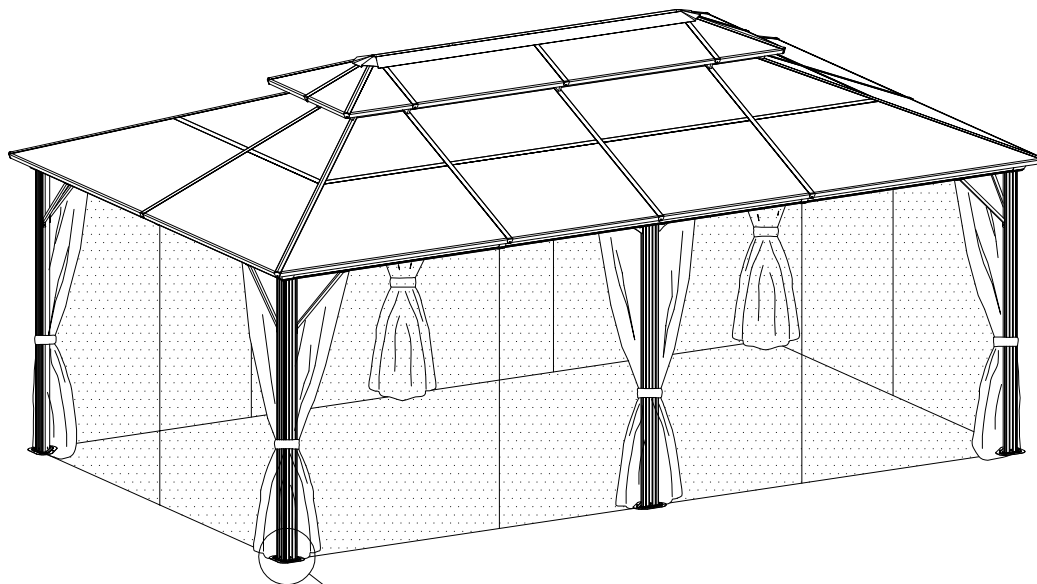
S 4x + 2x





<22>

9 12x



Carton-1/6		Carton-4/6		Carton-5/6	
Part	Qty	Part	Qty	Part	Qty
A	4	D	4	R	4
E	6	D3	4	R1	4
		D4	4	R2	4
		D5	4	R3	4
		E2	2	R4	4
Carton-2/6		G	8		
Part	Qty	G1	4		
A1	2	G2	4	Carton-6/6	
E	2	G3	4	Part	Qty
F	4	G4	4	Q	4
F1	4	H	12	Q1	4
F2	4	J	6	Q2	4
G5	2	K	4	R5	4
S	4 + 2	K1	6		
T	4 + 2	L	1		
U3	3	M	1		
W	2	P	6		
W1	2	P1	4		
N.N1.U.V.9.10	1	U1	2		
1.2.3.4.6	1	U2	2		
Carton-3/6					
Part	Qty				
B	4				
B1	4				