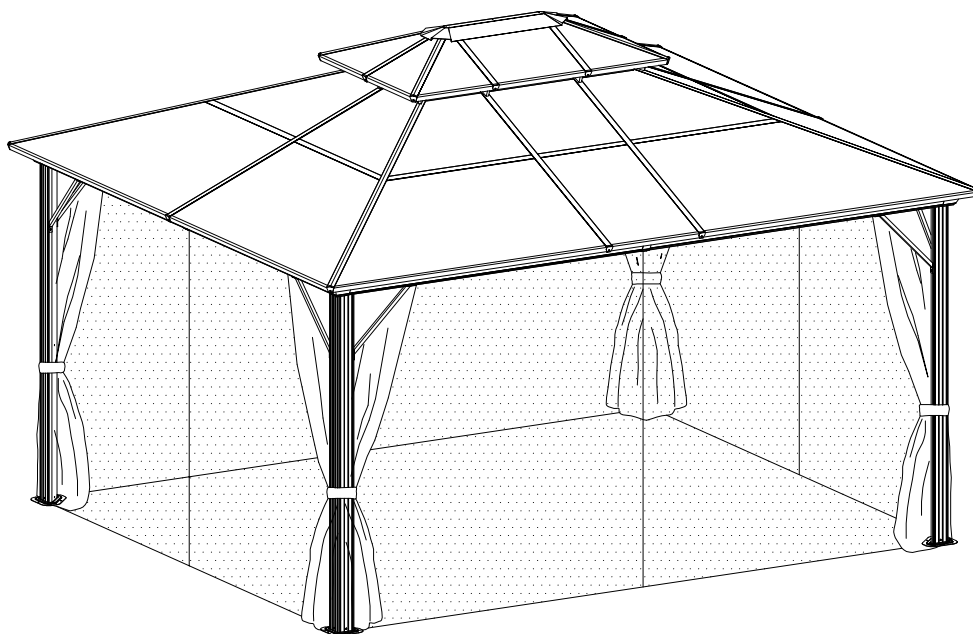
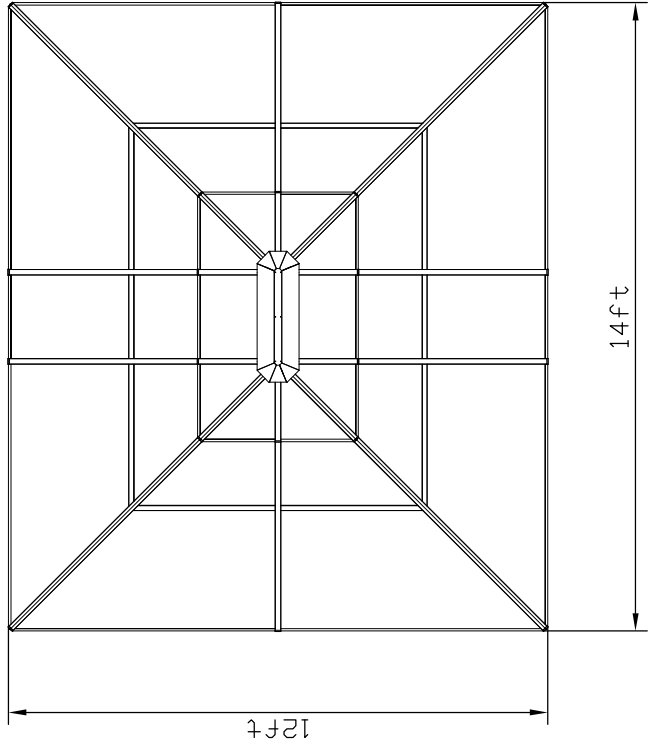
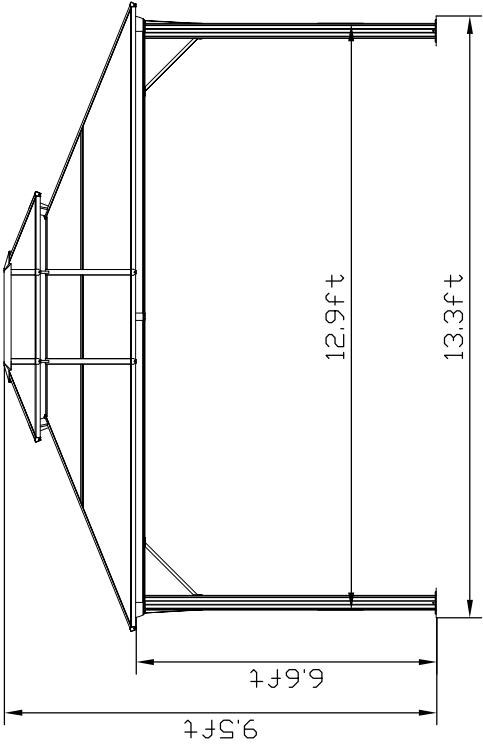
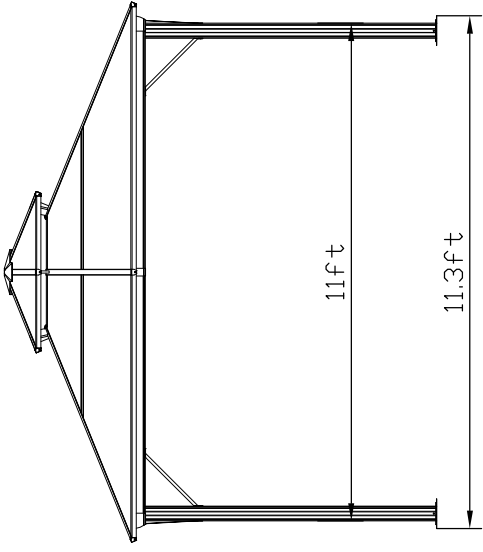


3.65 x 4.25 M

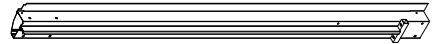
□ □ □ □ □ □ □ □ HWG - 059 □ □ □ □ □ □ □ □



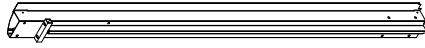




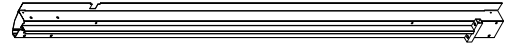
A 4x



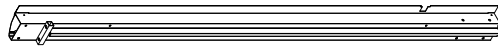
B 2x



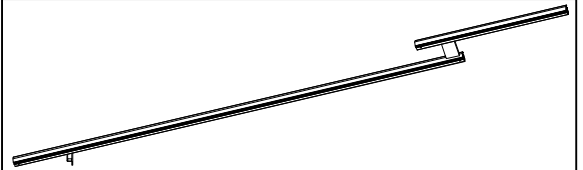
B1 2x



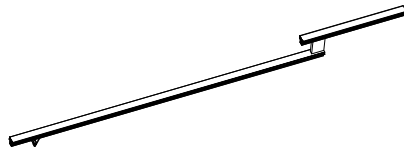
C 2x



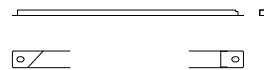
C1 2x



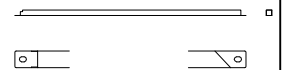
D 4x



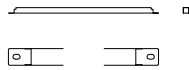
E 6x



D3 4x



D4 4x



D5 2x



F 2x



F1 4x



F2 4x



G 4x



G1 4x



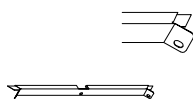
G2 4x



G3 4x



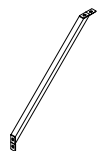
G4 4x



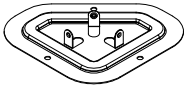
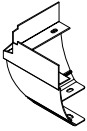

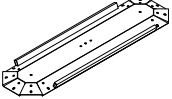
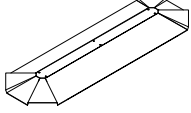

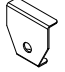
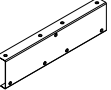
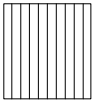
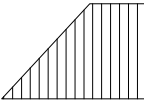
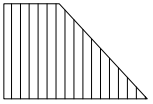
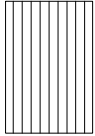
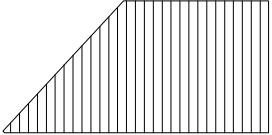
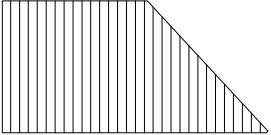
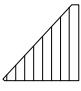
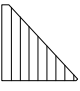
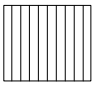
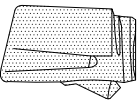
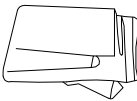

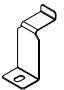


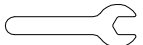






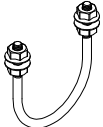
G5 2x



G6 2x



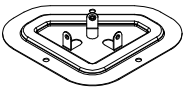
H 12x

			
(J) 4x	(K) 4x	(K1) 4x	(L) 1x
			
(M) 1x	(N) 12x	(N1) 12x	(P) 4x
			
(Q) 2x	(Q1) 4x	(Q2) 4x	(R)
			
(R1) 4x	(R2) 4x	(R3) 4x	(R4) 4x
			
(R5) 2x	(S) 4x	(T) 4x	(U) 120x
			
(V) 4x	(P1) 4x	S4 1x	
			
		1x	
			
M6x15	M6x35	M5x12	ST4.8x12
(1) 157x	(2) 16x	(3) 4x	(4) 24x
			
(5) 2x	(9) 12x	(10) 1x	

<1>



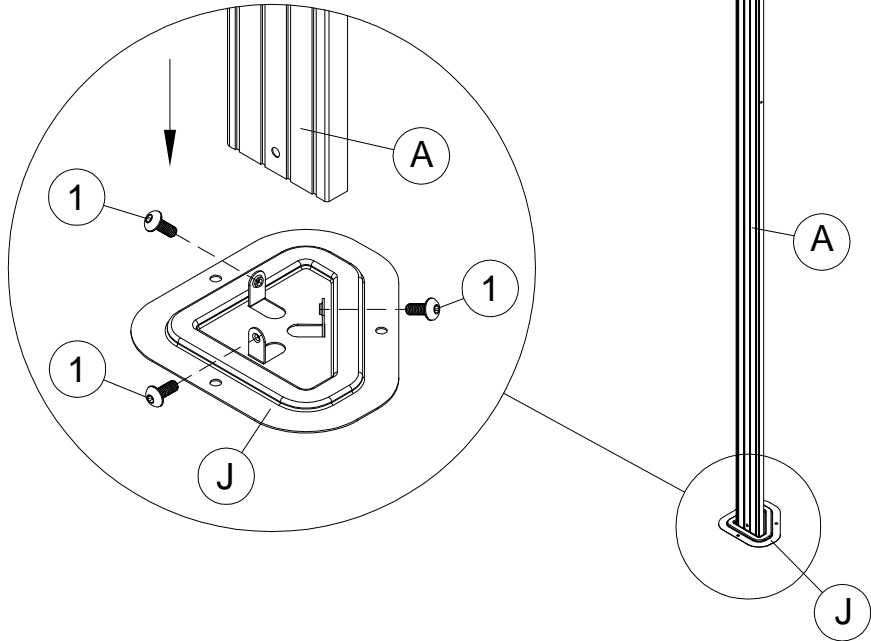
A 4x



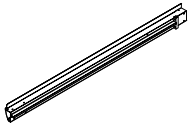
J 4x



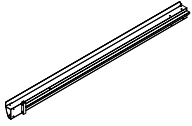
1 12x M6x15



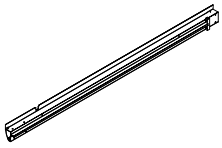
<2>



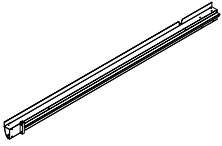
B 2x



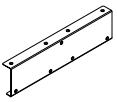
B1 2x



C 2x



C1 2x

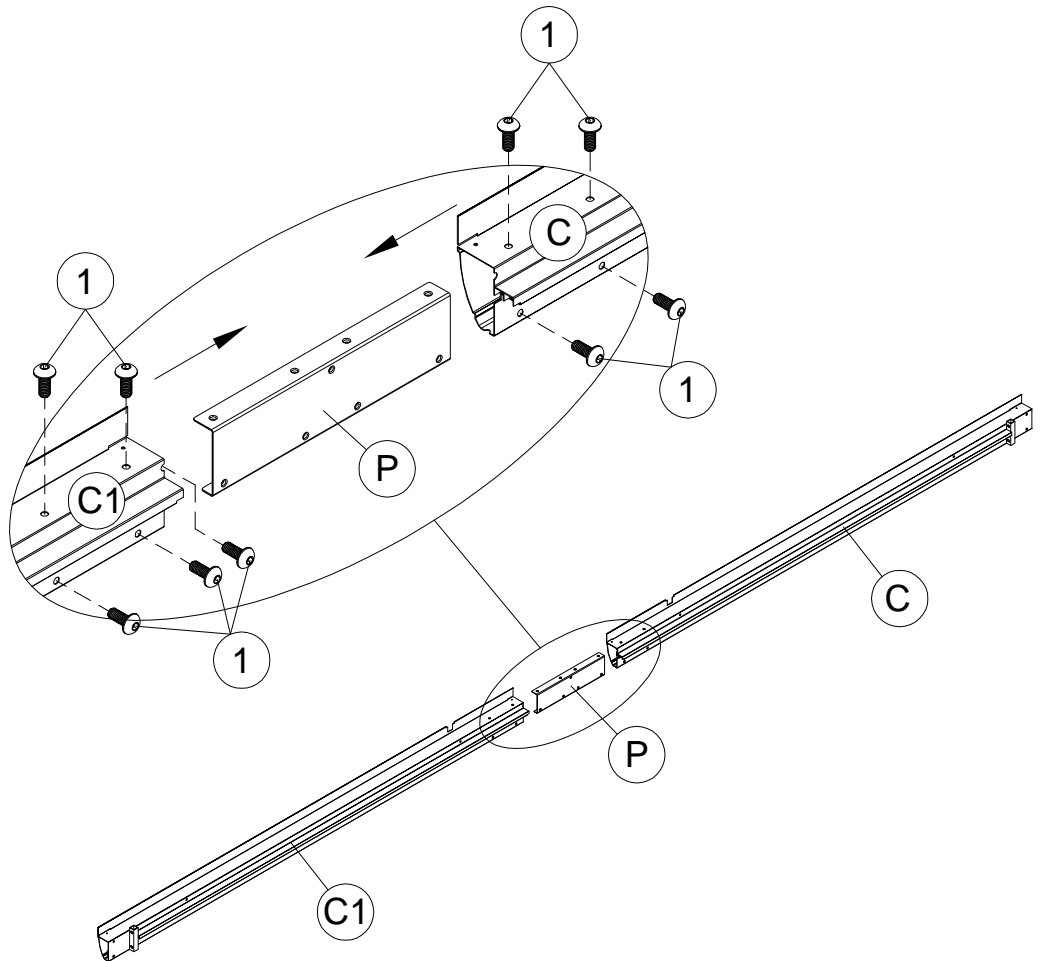
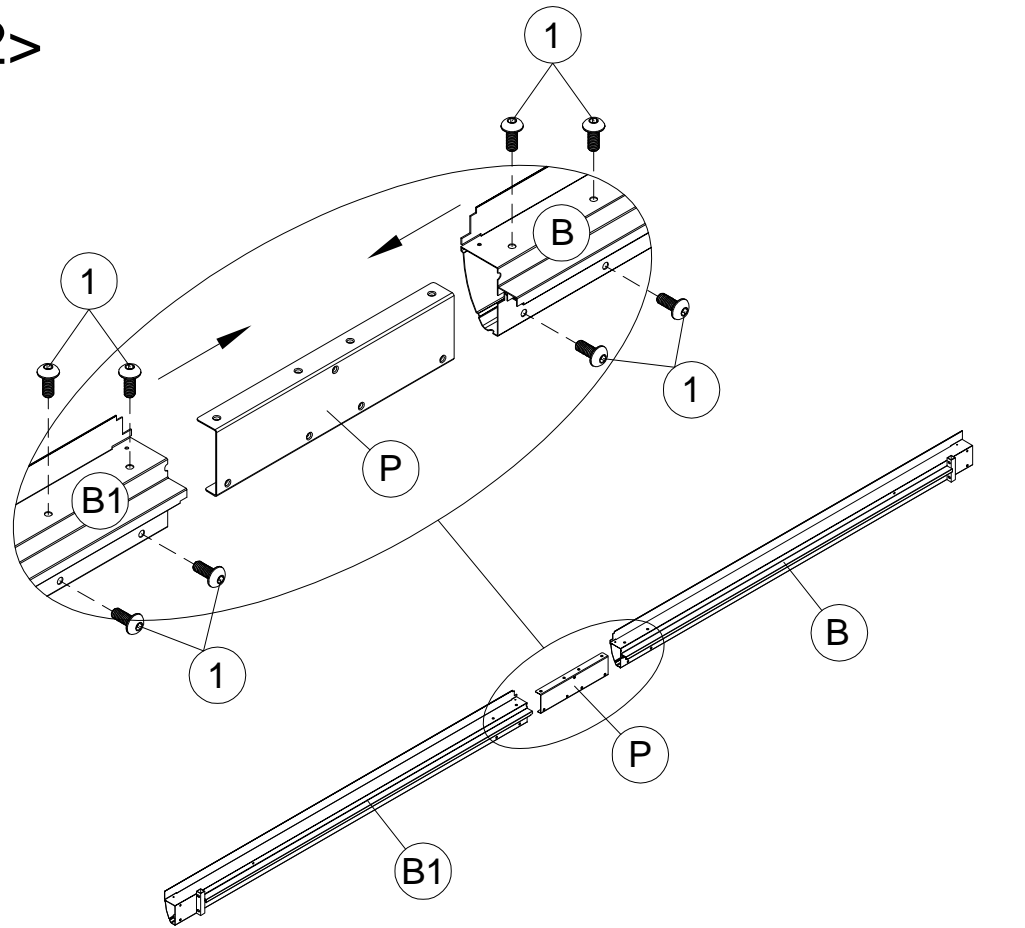


P 4x



1 34x M6x15

5



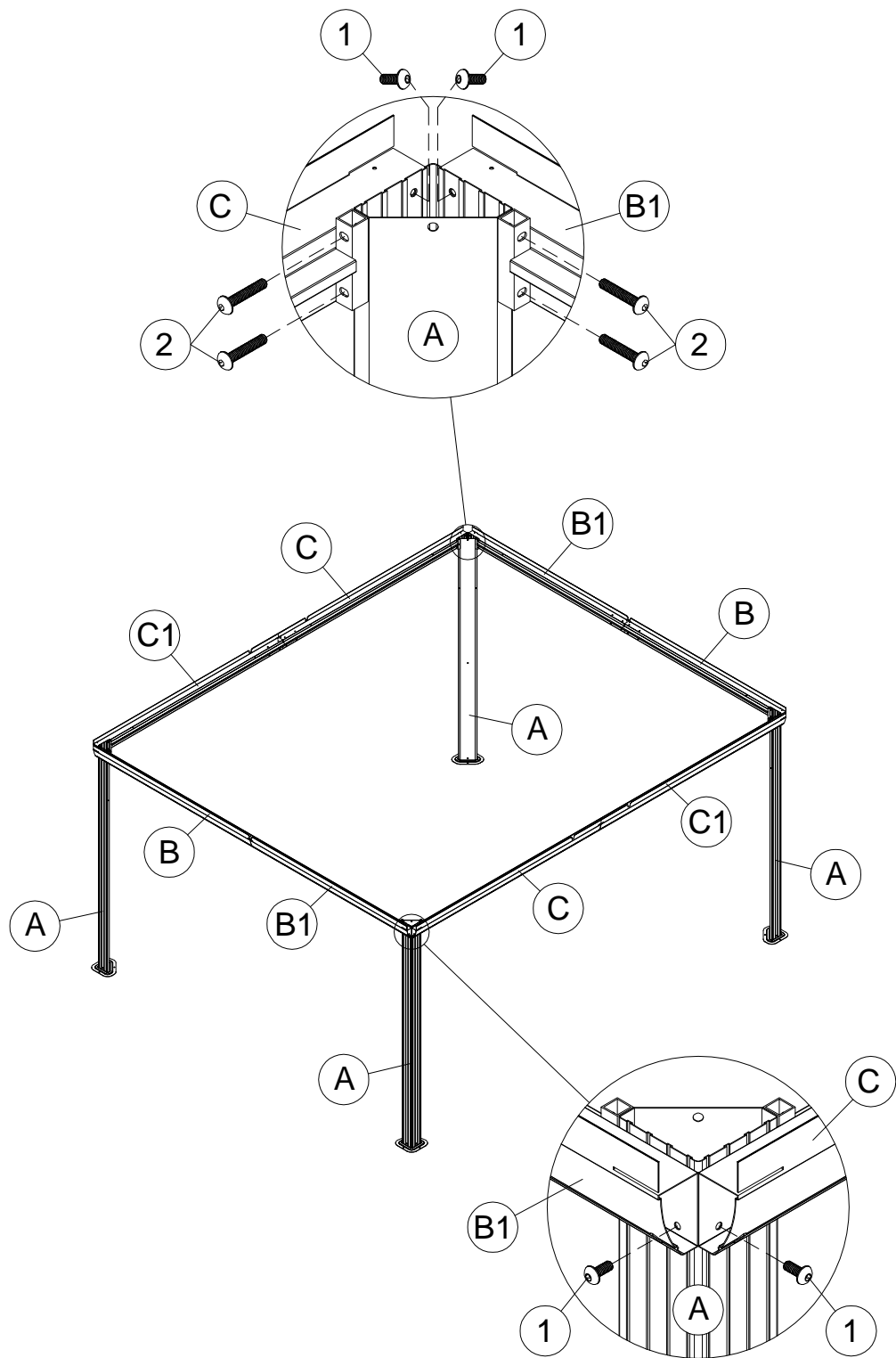


1 M6x15
16x

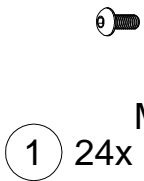
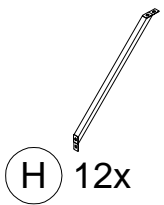


2 M6x35
16x

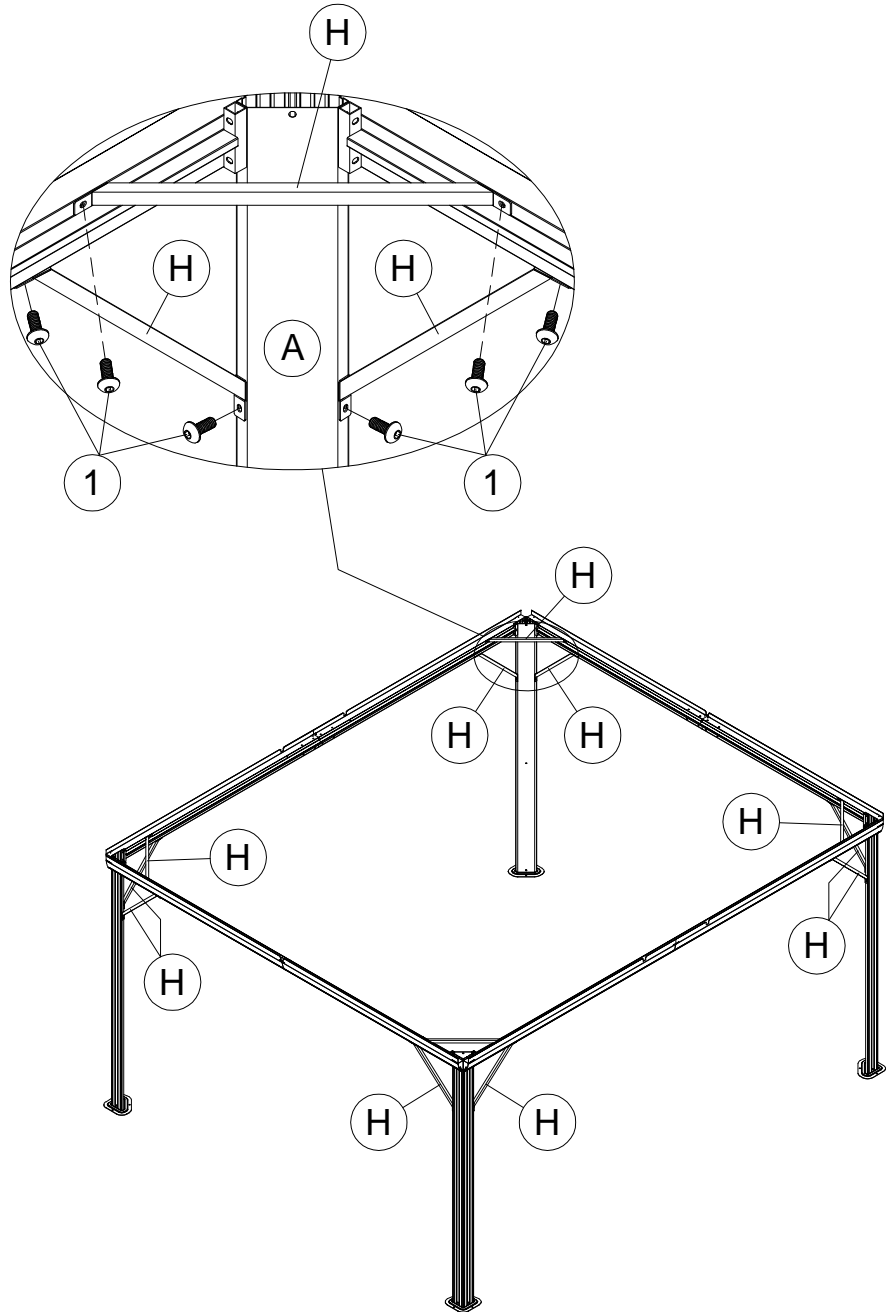
<3>

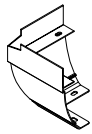


6



<4>





K 4x



K1 4x



U 120x



V 4x



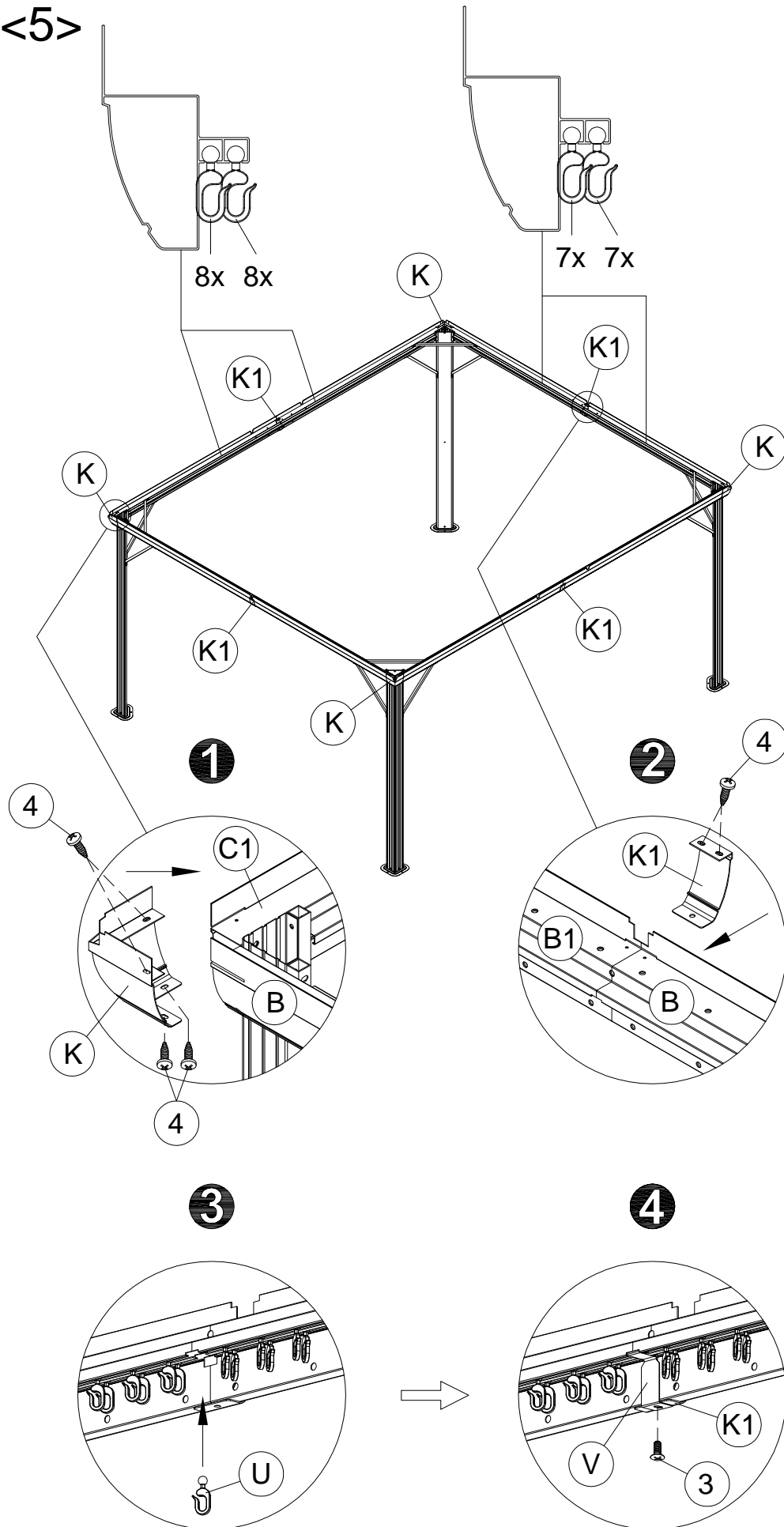
3 4x M5x12

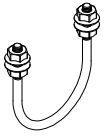


4 24x ST4.8x12

8

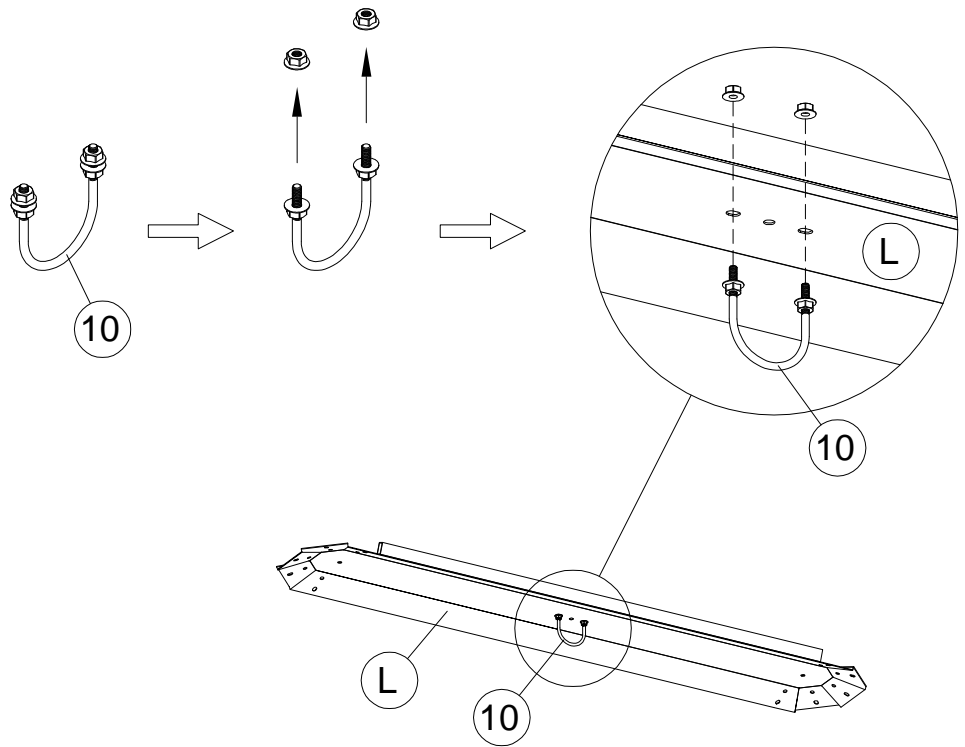
<5>





10 1x

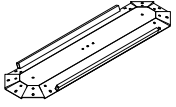
<6>





<7>

D 4x



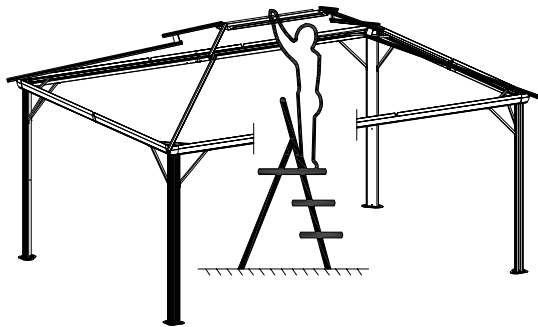
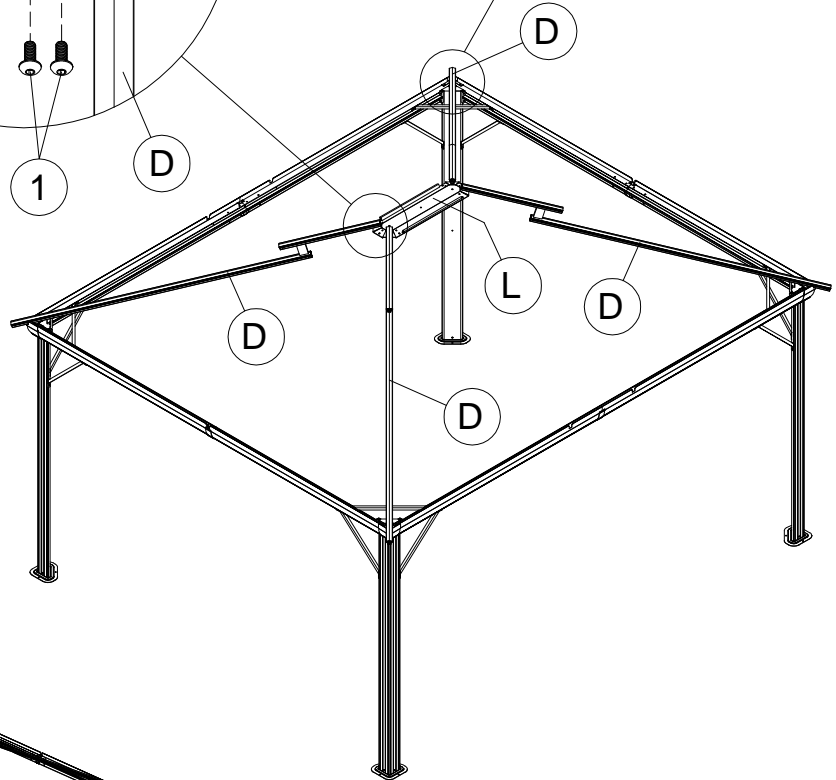
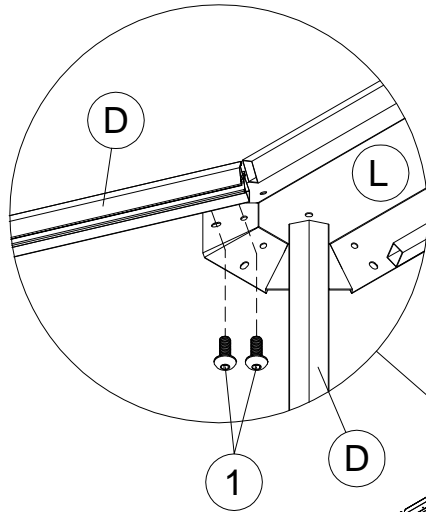
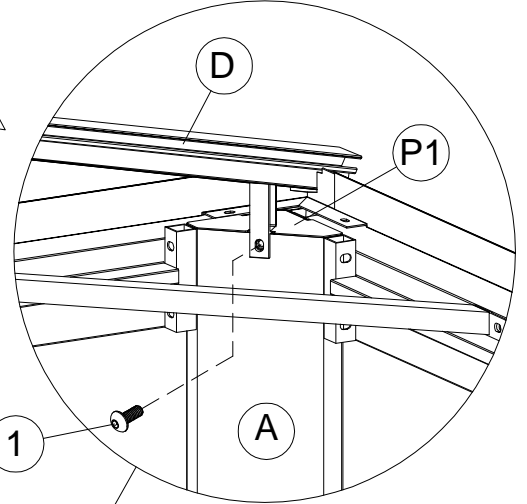
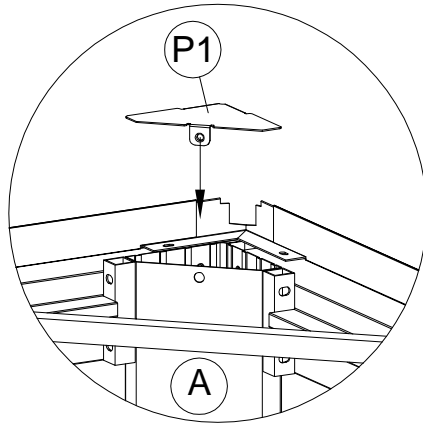
L 1x



P1 4x



1 12x M6x15



Note:

1. Let one person stand on the ladder to lift " L " and hold, and let others fasten the screws connecting both ends of " D " .

2. Please do not let go of holding " L " until all the " D " screws are installed.

10

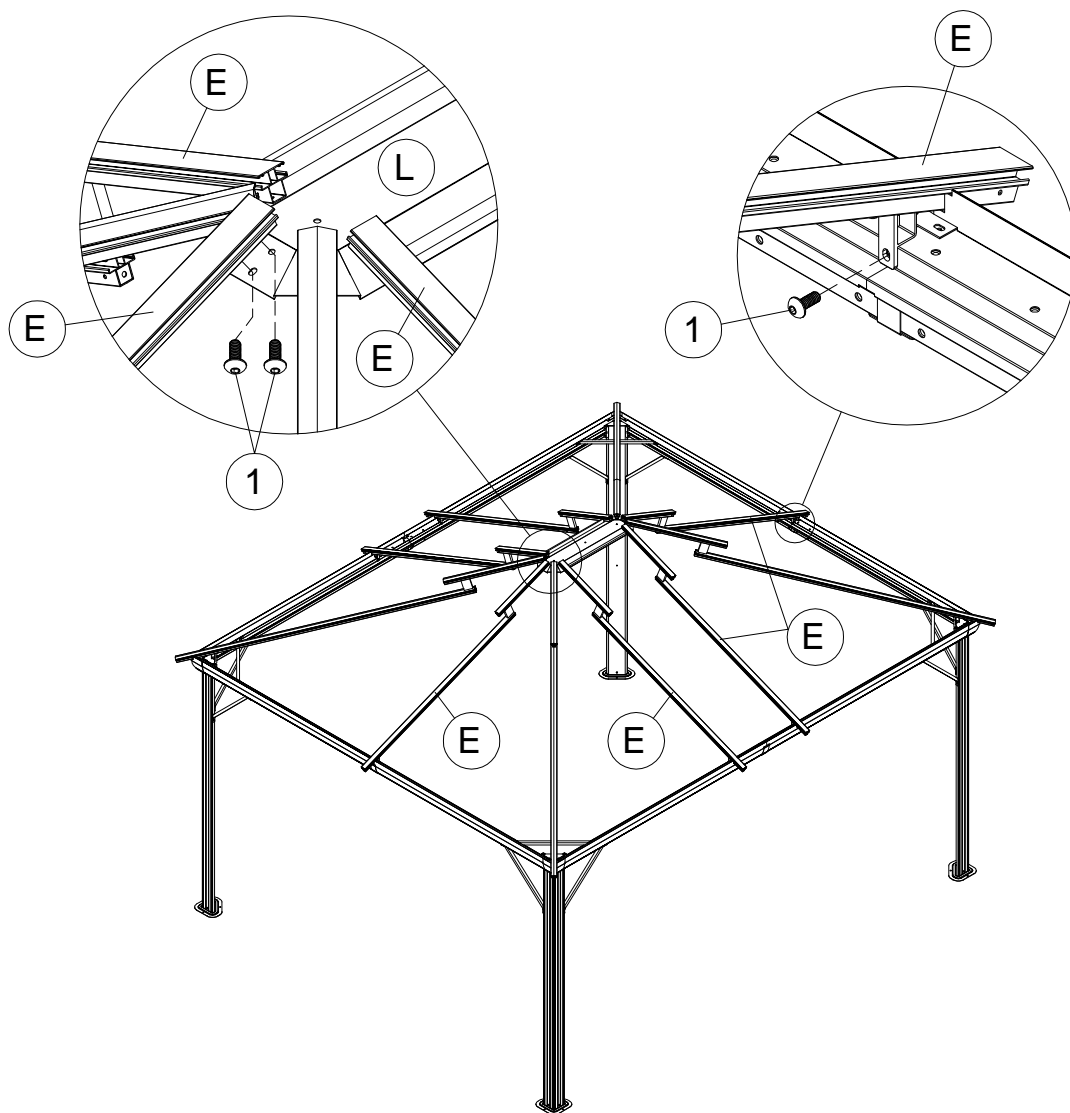


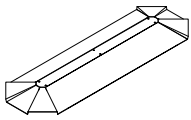
<8>

E 6x



1 18x M6x15





<9>

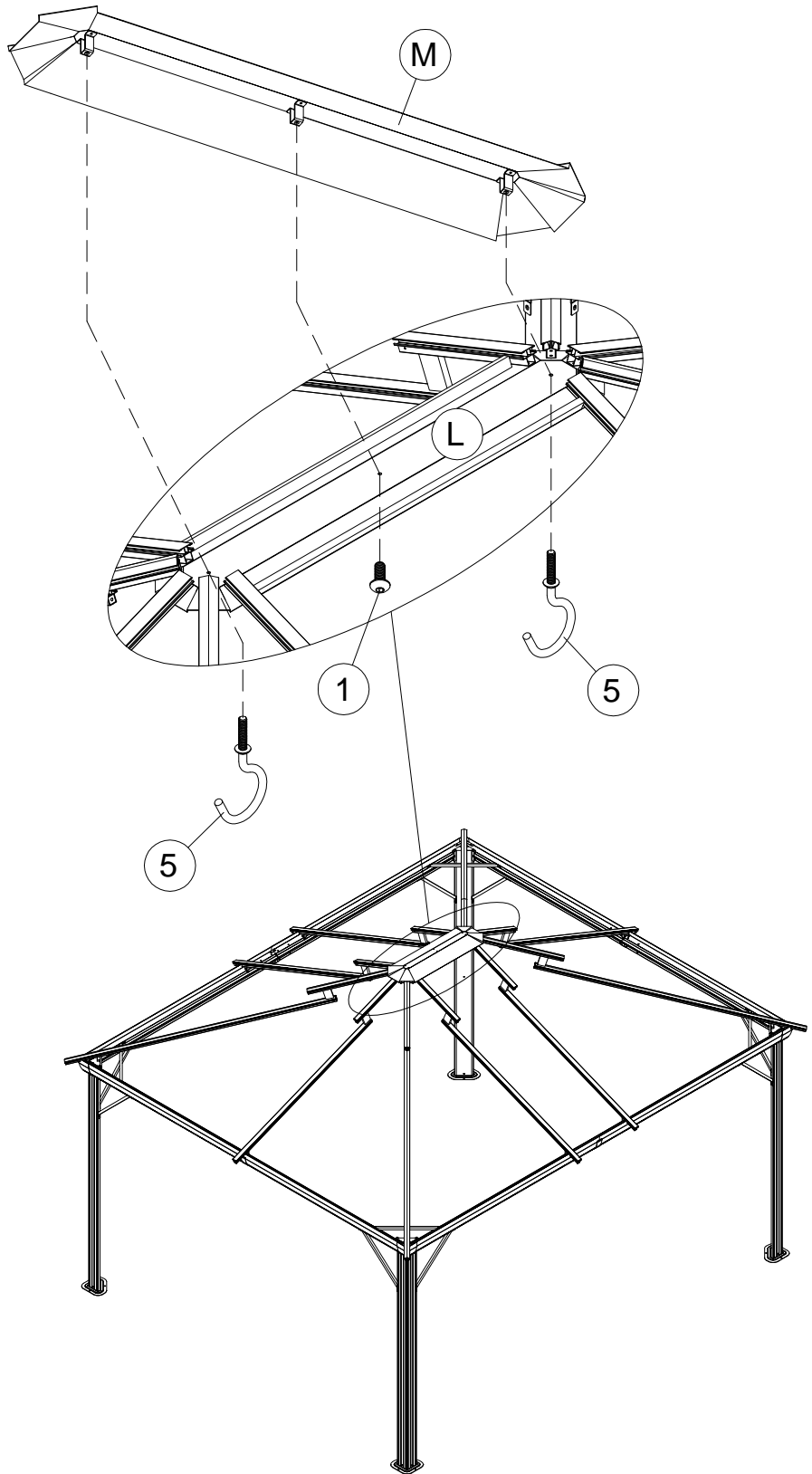
M 1x

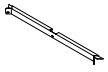


1 1x M6x15



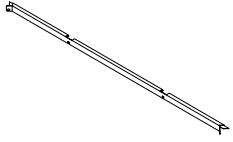
5 2x





<10>

G5 2x



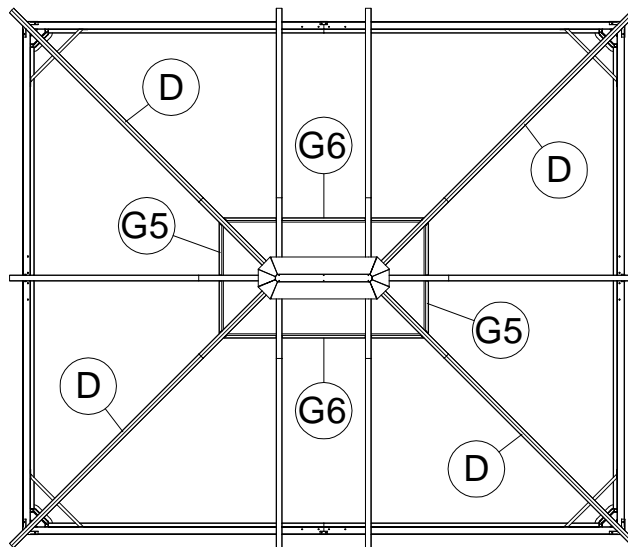
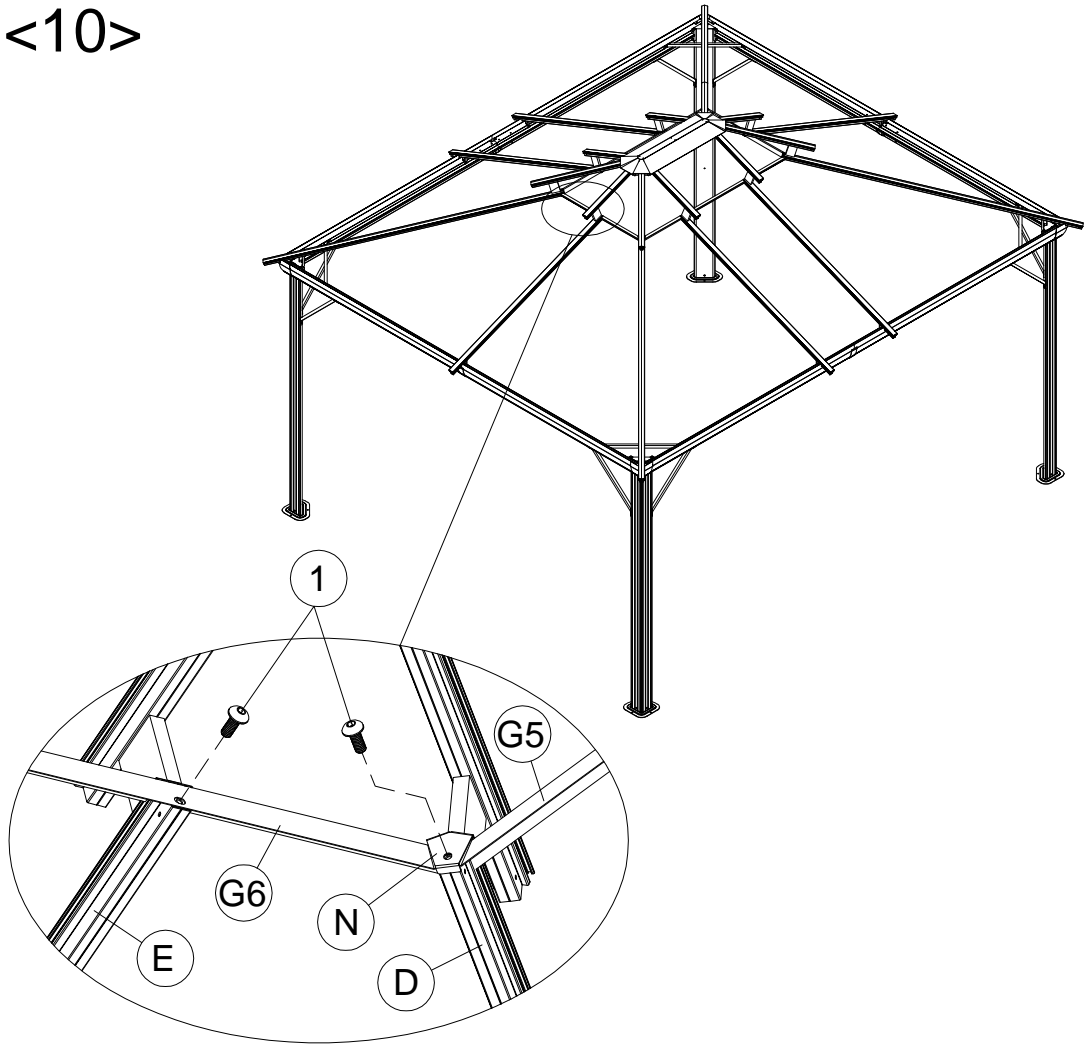
G6 2x



N 4x



1 10x M6x15





R3 4x

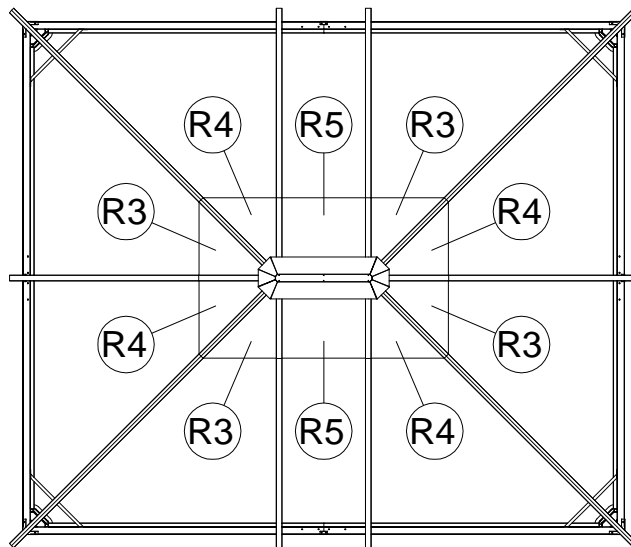
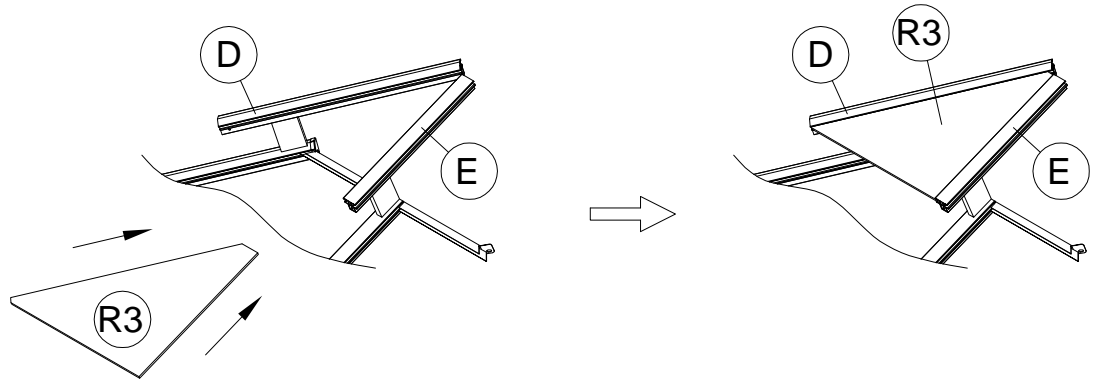
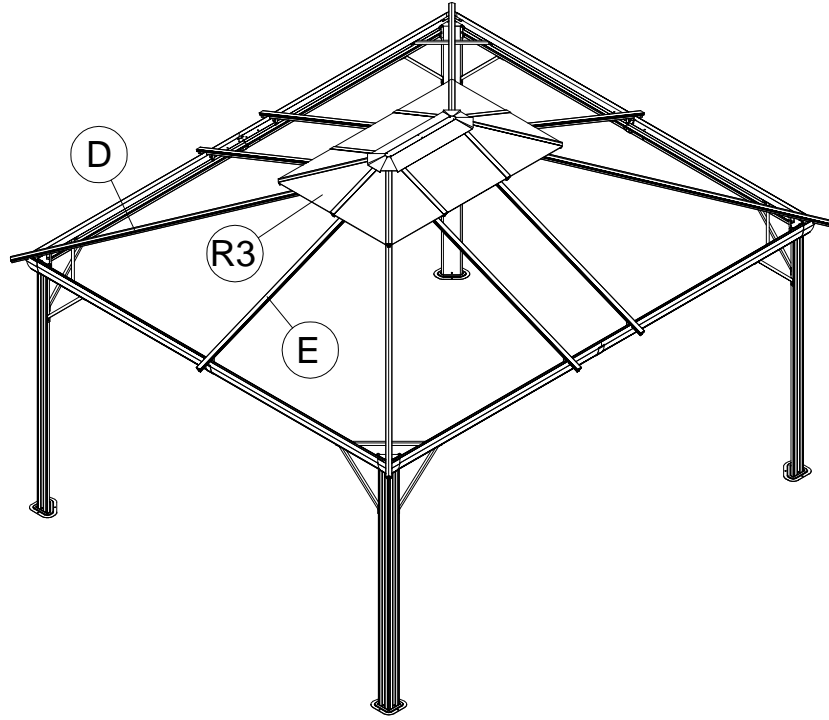


R4 4x



R5 2x

<11>



<12>



G 2x



G3 4x



G4 4x



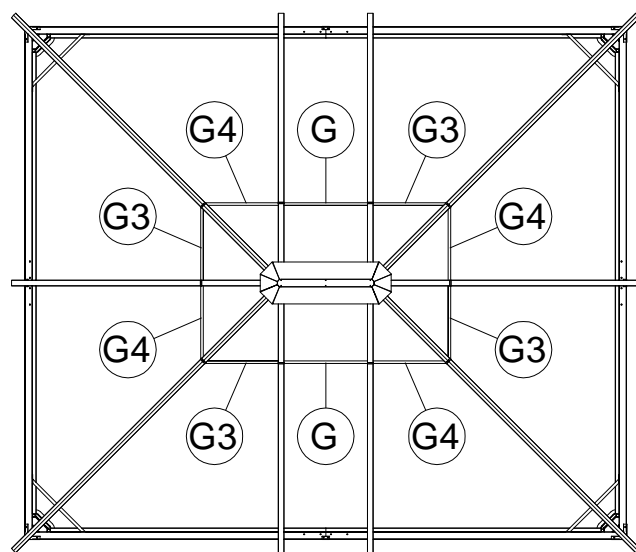
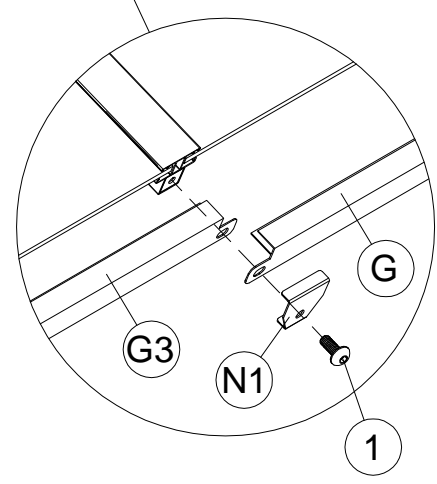
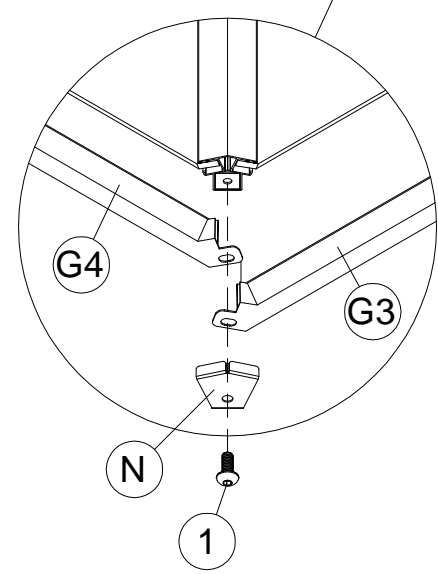
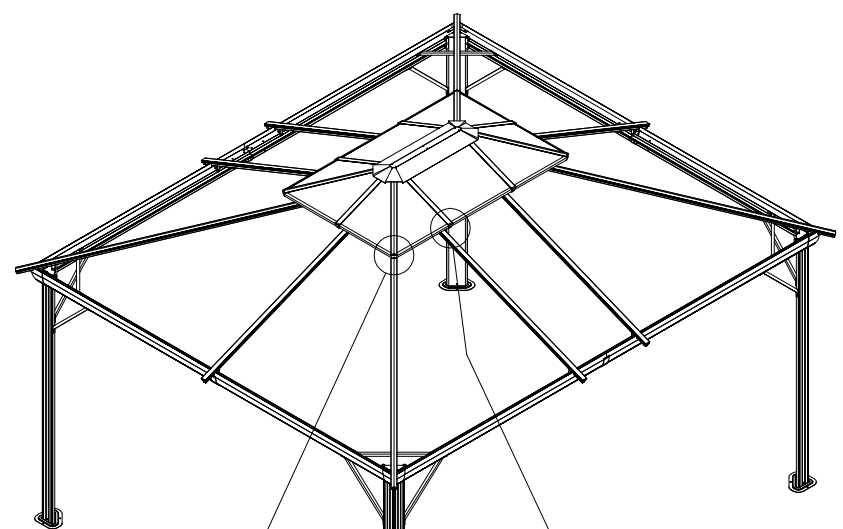
N 4x



N1 6x



1 10x M6x15



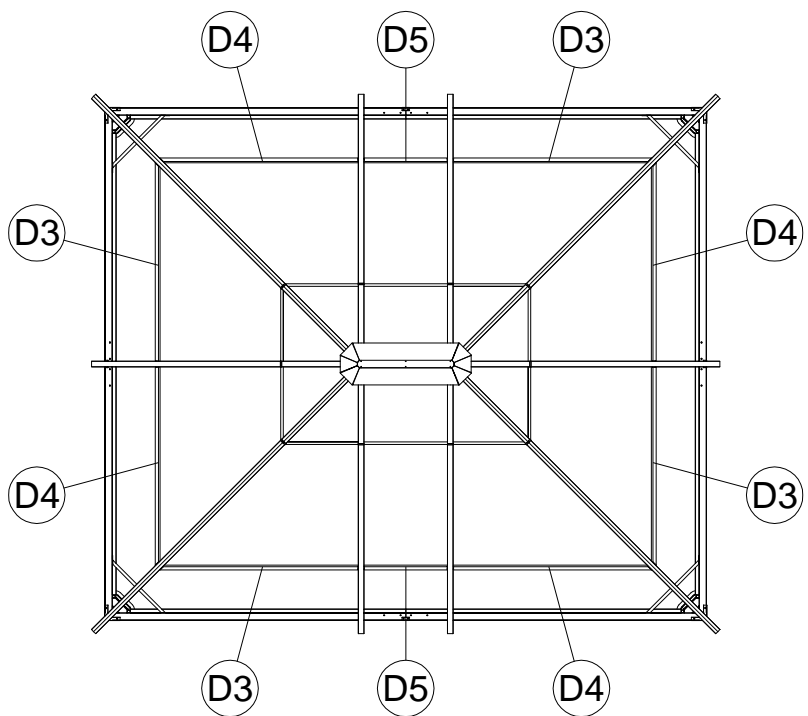
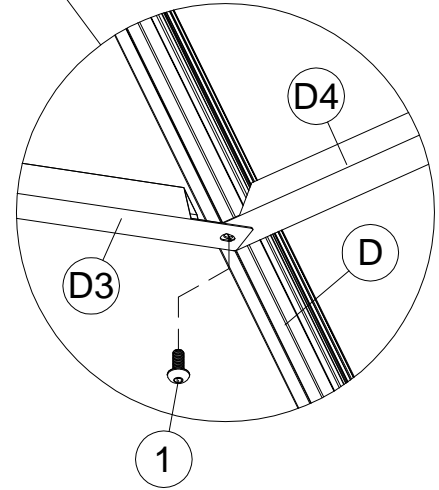
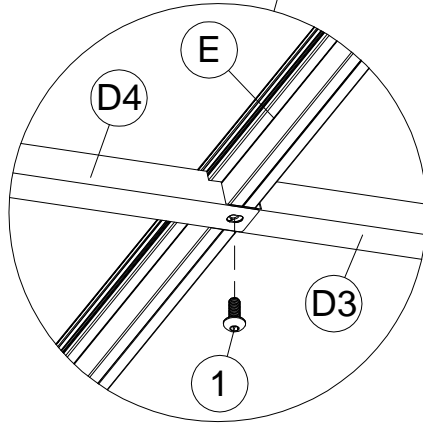
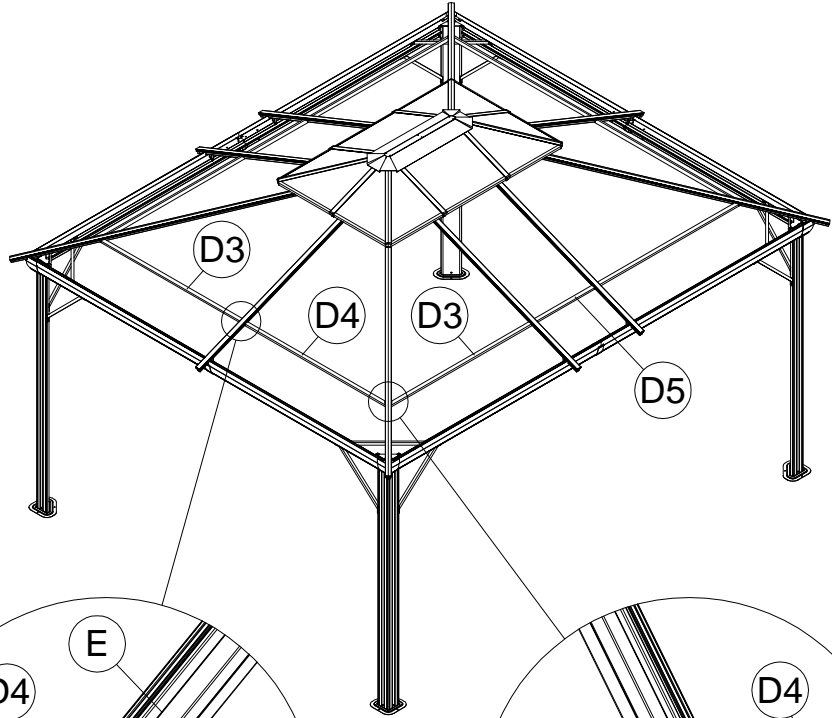
<13>

D3 4x

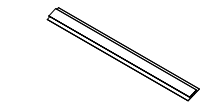
D4 4x

D5 2x

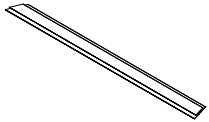
1 10x M6x15



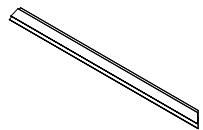
<14>



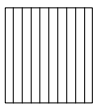
F 2x



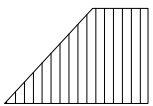
F1 4x



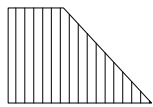
F2 4x



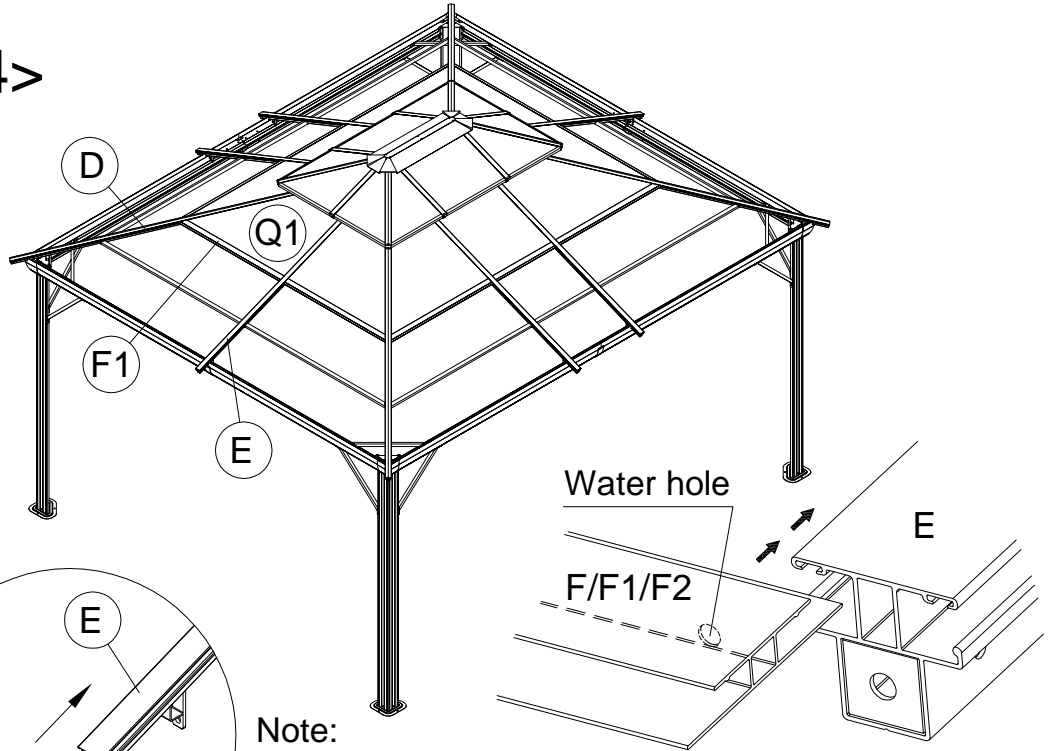
Q 2x



Q1 4x



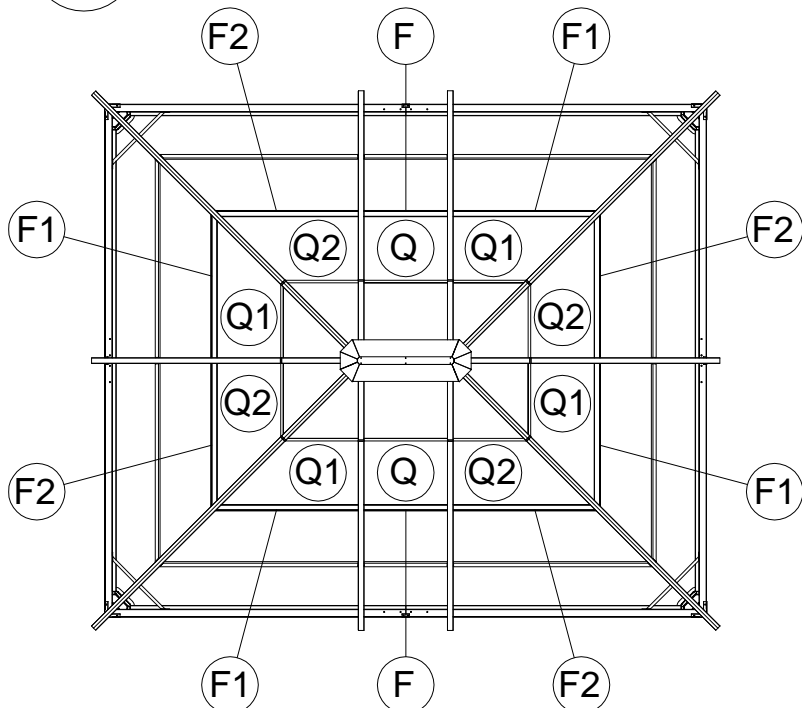
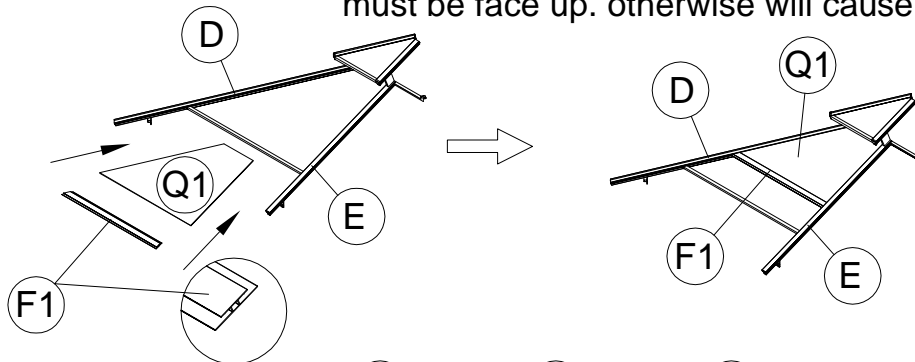
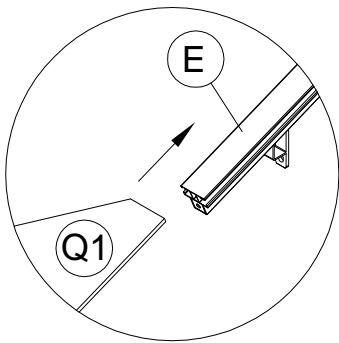
Q2 4x



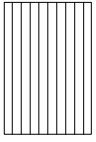
Note:

1. When F1 or F2 or F slide into the E, the wide side must be face down and narrow side face up, otherwise will cause water leaking

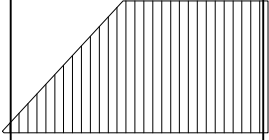
2. F or F1 or F2 the water holes inside of the tube must be face up. otherwise will cause water leaking



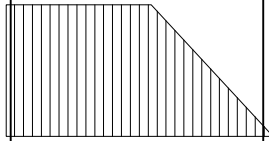
<15>



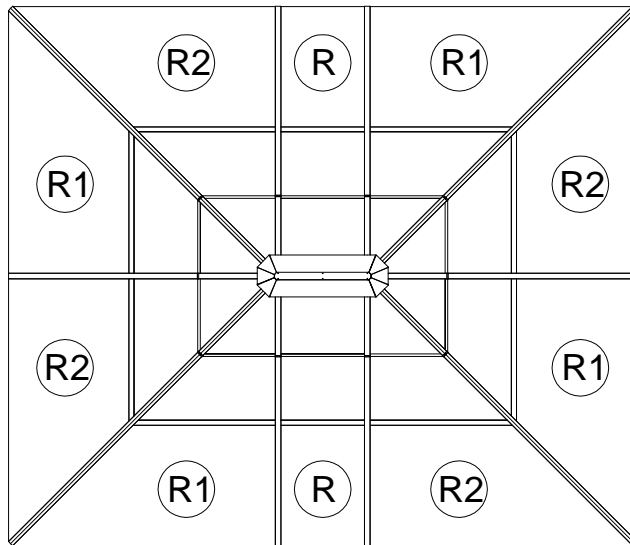
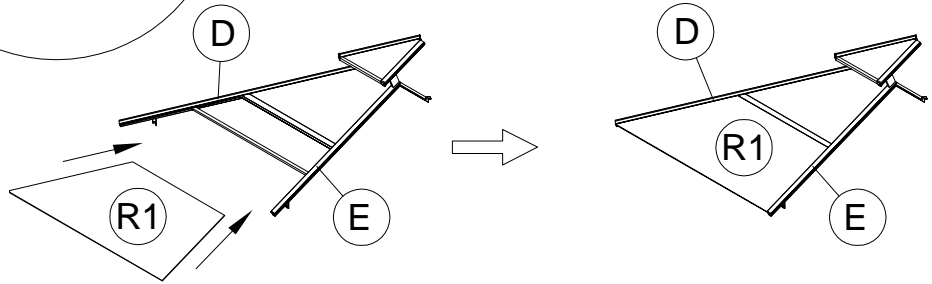
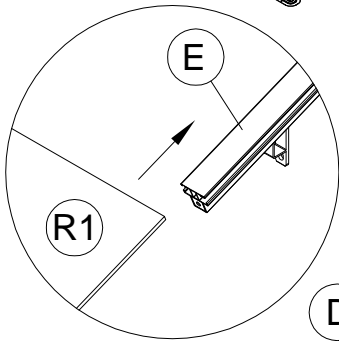
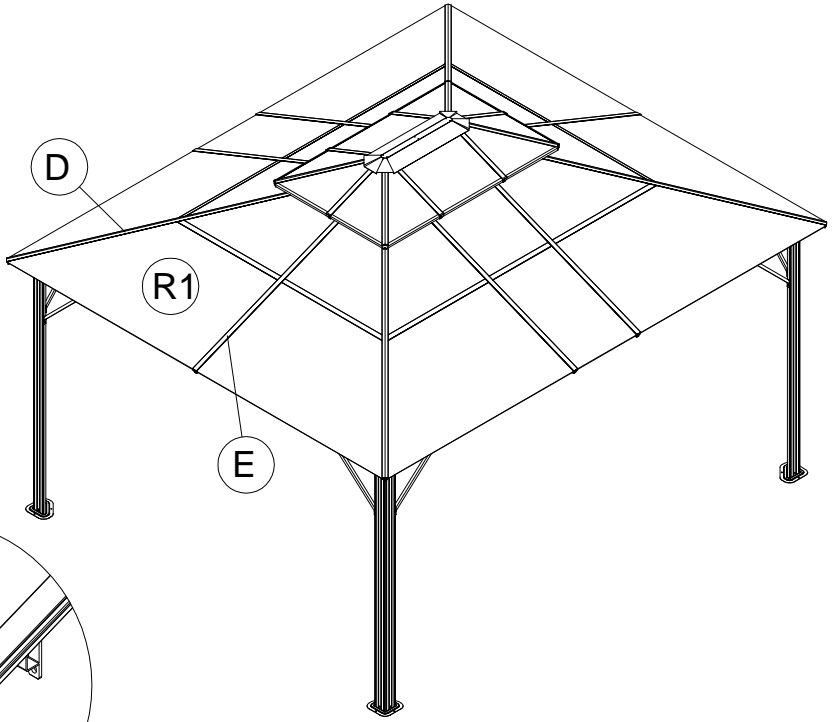
(R) 2x



(R1) 4x



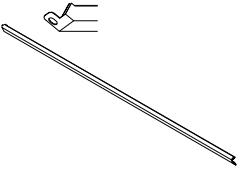
(R2) 4x



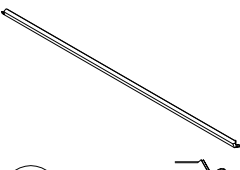
<16>



G 2x



G1 4x



G2 4x



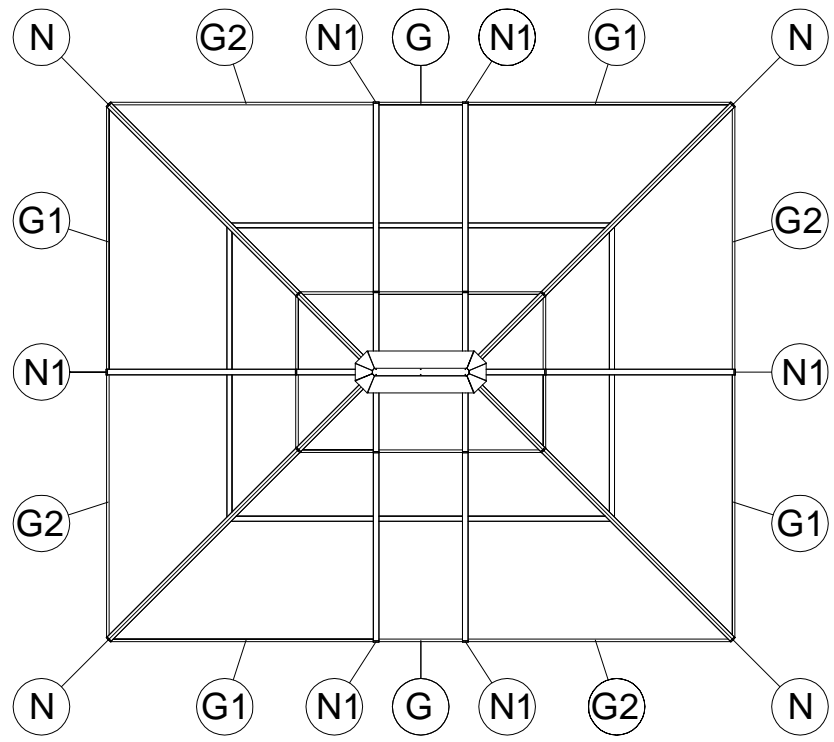
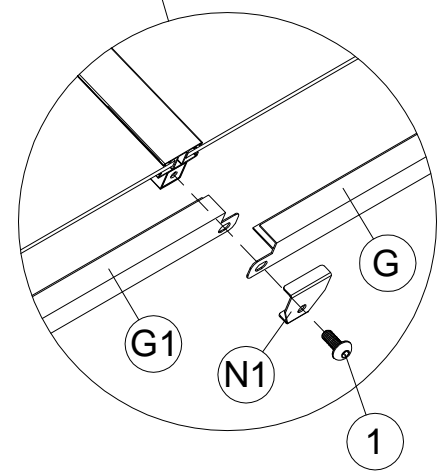
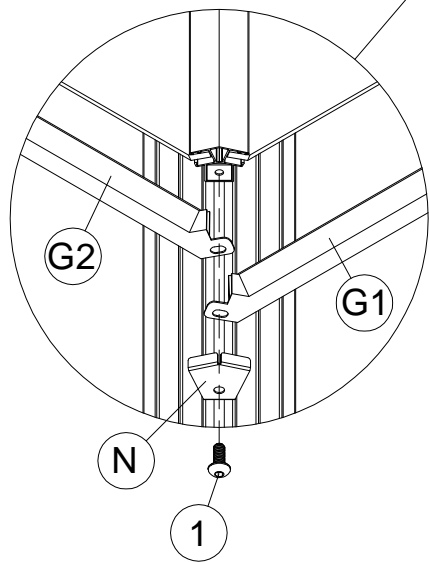
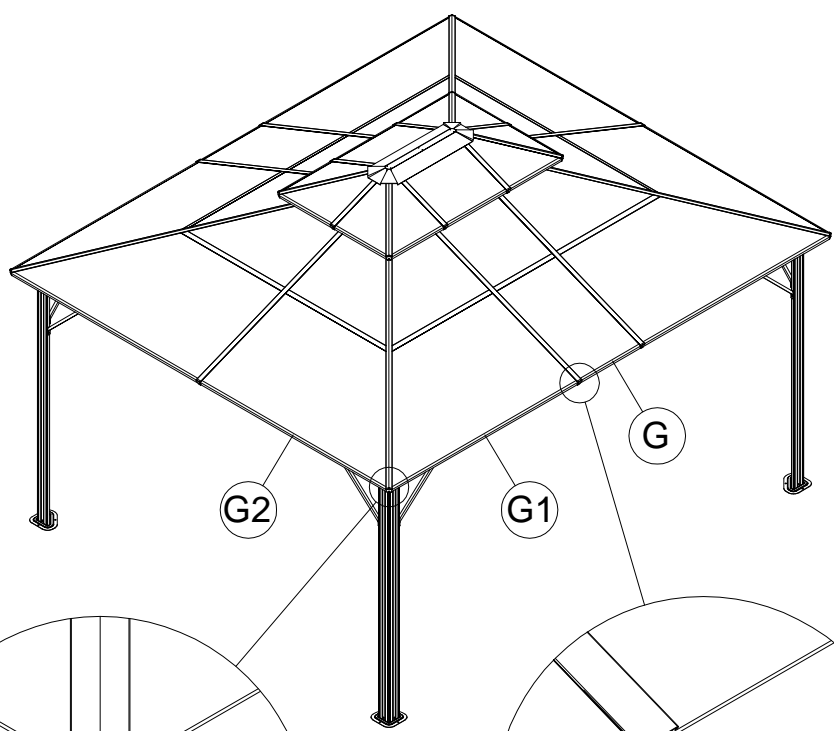
N 4x

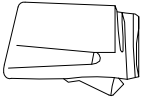


N1 6x



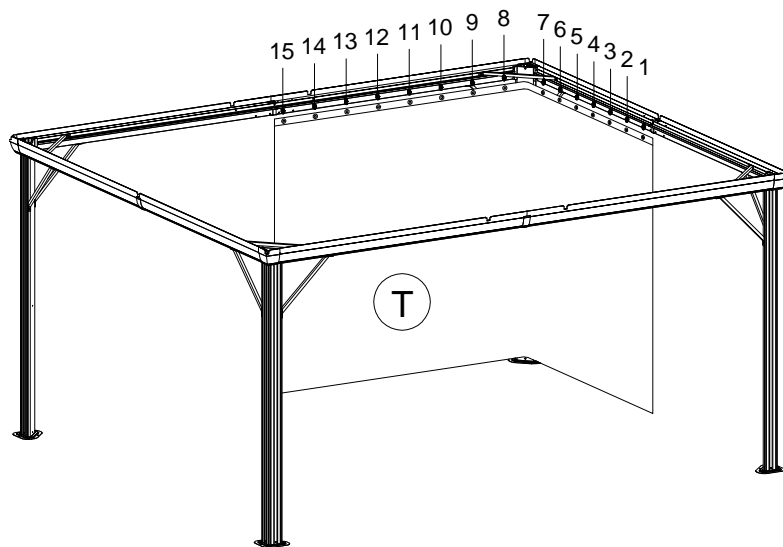
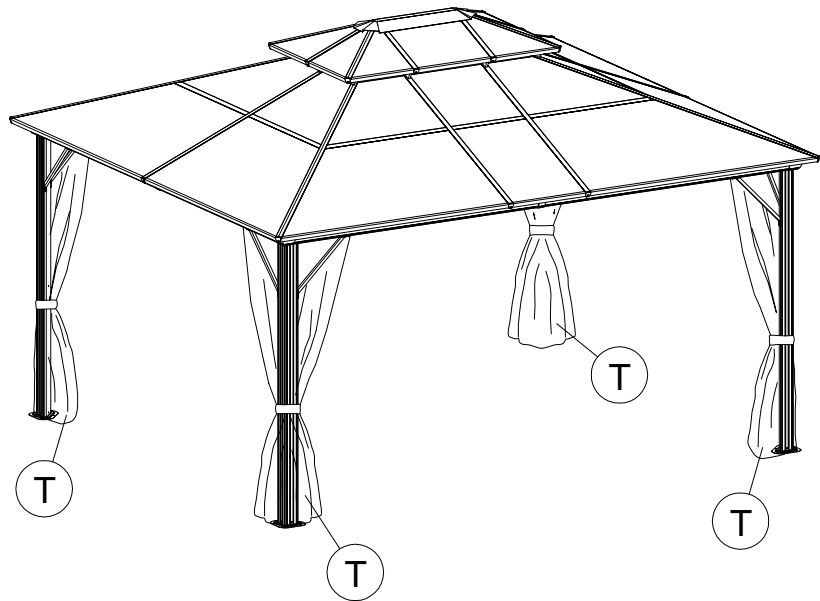
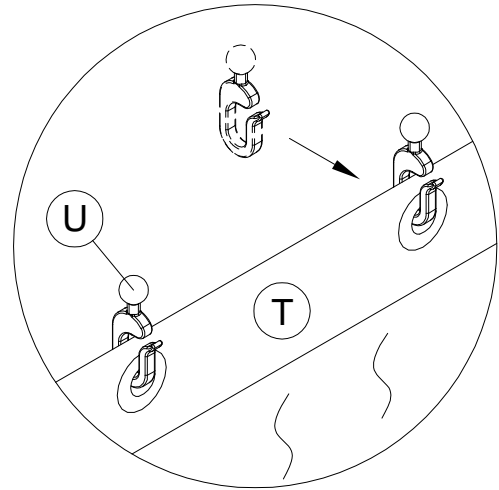
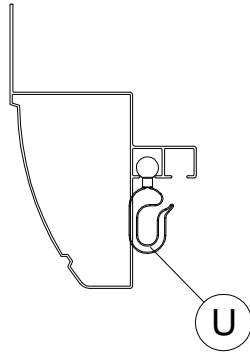
1 10x M6x15

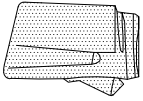




<17>

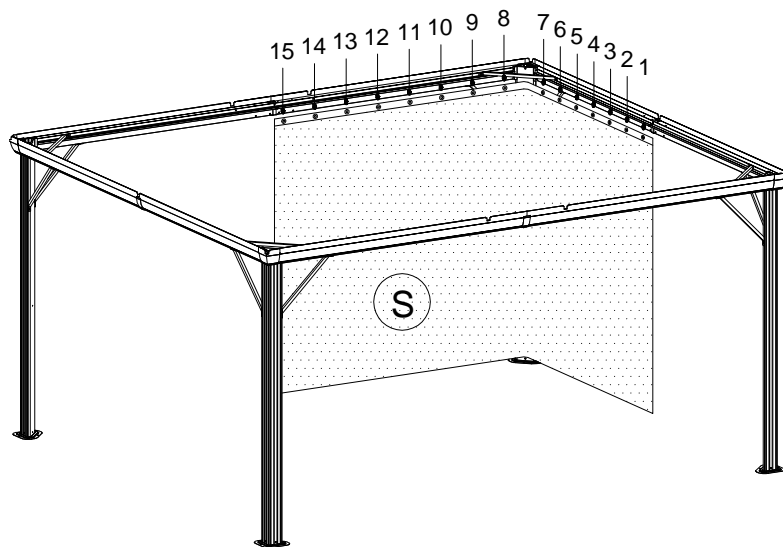
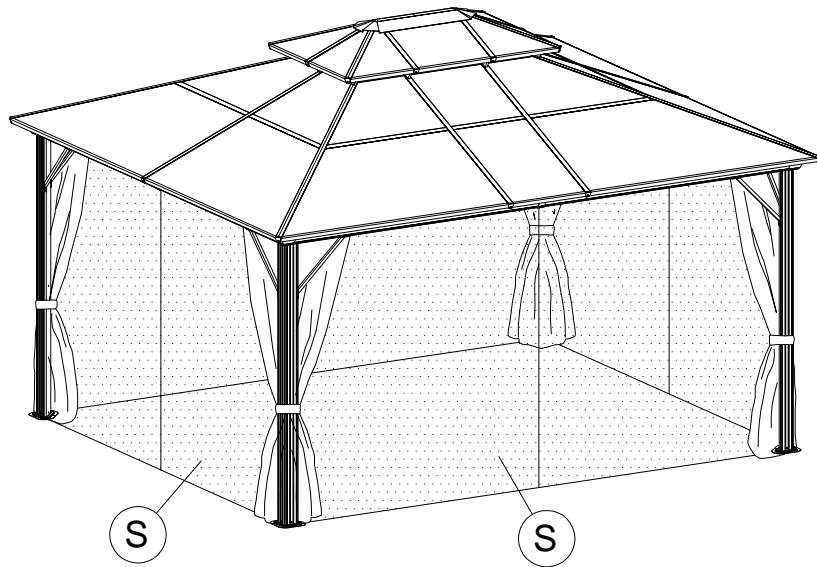
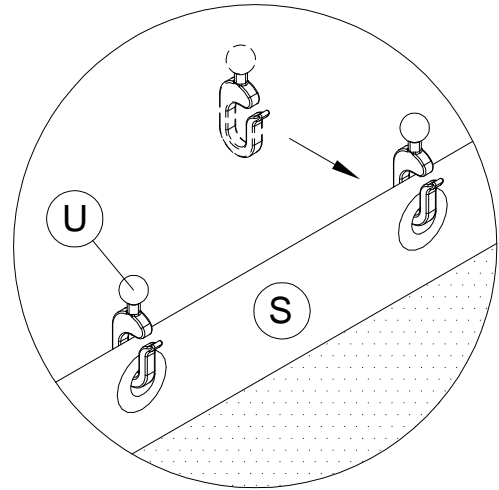
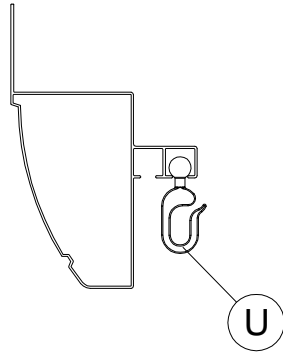
T 4x





<18>

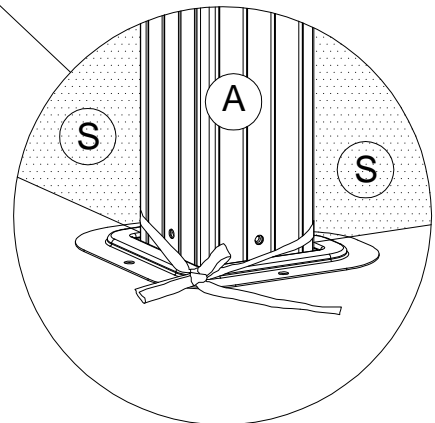
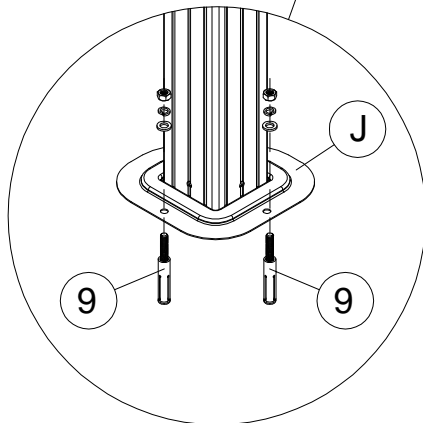
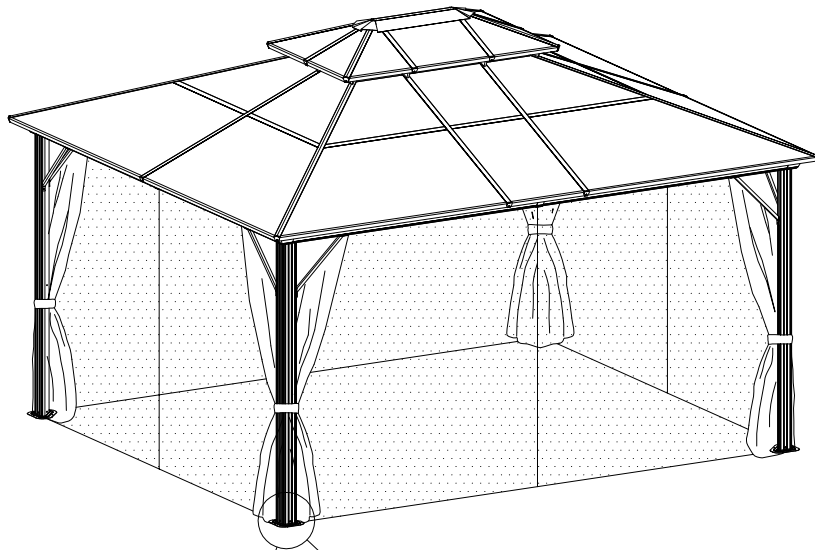
S 4x





<19>

9 12x



Carton-1/4		Carton-3/4		Carton-4/4	
Part	Qty	Part	Qty	Part	Qty
A	4	D	4	Q	2
L	1	D3	4	Q1	4
M	1	D4	4	Q2	4
T	4	D5	2	R	2
		E	6	R1	4
		F	2	R2	4
		F1	4	R3	4
		F2	4	R4	4
		G	4	R5	2
		G1	4		
		G2	4		
		G3	4		
		G4	4		
		G5	2		
		G6	2		
		H	12		
		K	4		
		K1	4		
		P	4		
		P1	4		
		1.2.3.4.5	1		

Carton-2/4

Part Qty

B 2

B1 2

C 2

C1 2

J 4

S 4

N.N1.U.V.9.10 1