



## Technical data

Voltage	U	230	V
Phase	1	~	
Frequency	f	50	Hz
Speed	n	950	RPM
Power consumption	P <sub>e</sub>	165	W
Nominal current	I <sub>nom</sub>	1	A
Maximum current	I <sub>max</sub>	1.1	A
Cos φ		0.76	
Capacitor		05/400	μF/V
Service factor current		1.1	A
Ambient temperature	T <sub>amb min/max</sub>	-25...40	°C
Insulation Class		CLF	
IP Class Fan		IP55	
Sound pressure level (2 m)	L <sub>p</sub> (meas.)	45	db(A)
Sound pressure level (7 m)	L <sub>p</sub> (calc.)	34	db(A)
Weight		15.8	kg
Packing dimensions		720x720x400	mm

## Fan details

Impeller blades	8
Impeller type	3
Impeller system	C
Impeller material	PP

## Control options

Triac controller	Yes
Transformer	Yes
Frequency drive	No
Intelligent Fan Drive	Yes

## Characteristics

0 Pa	5050 m <sup>3</sup> /h
------	------------------------



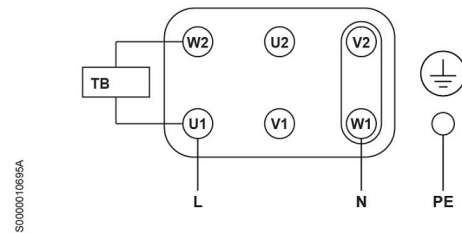
Please note: Picture may deviate from original product

## Approval(s)



## Wiring diagram

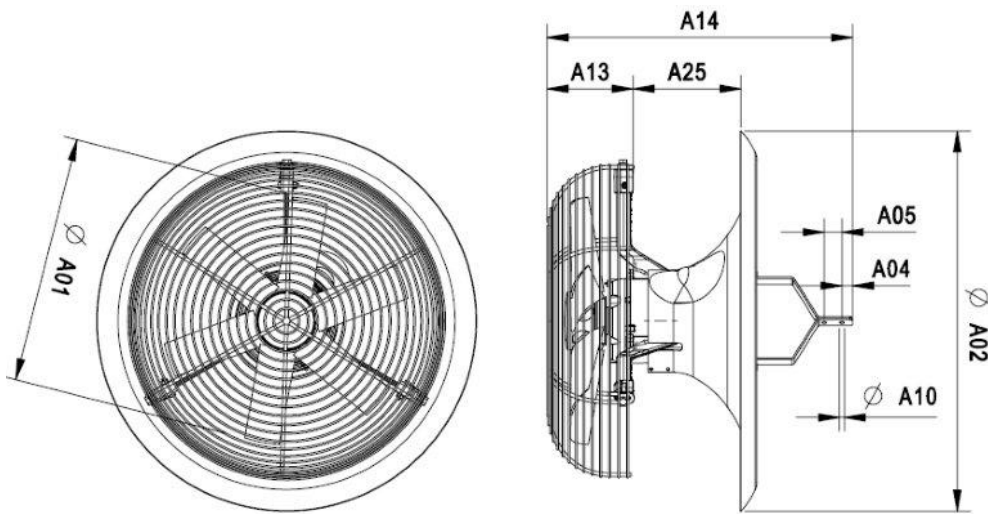
BA02 - 1 Phase - Standard - CW



Article number: T6E40A2M81160

Circulation fans

### Dimensions



A01:	420 mm
A02:	650 mm
A04:	18 mm
A05:	30 mm
A10:	8.2 mm
A13:	146 mm
A14:	539 mm
A25:	182 mm