



Technical data

Voltage	U	230	V
Phase		1	~
Frequency	f	50	Hz
Speed	n	1410	RPM
Power consumption	P _e	390	W
Nominal current	I _{nom}	1.7	A
Maximum current	I _{max}	2.5	A
Cos φ		0.97	
Capacitor		10/400	μF/V
Service factor current		2.5	A
Ambient temperature	T _{amb min/max}	-25...40	°C
Insulation Class		CLF	
IP Class Fan		IP55	
Sound pressure level (2 m)	L _p (meas.)	67	dB(A)
Sound pressure level (7 m)	L _p (calc.)	57	dB(A)
Weight		16.5	kg
Packing dimensions		600x600x400	mm

Fan details

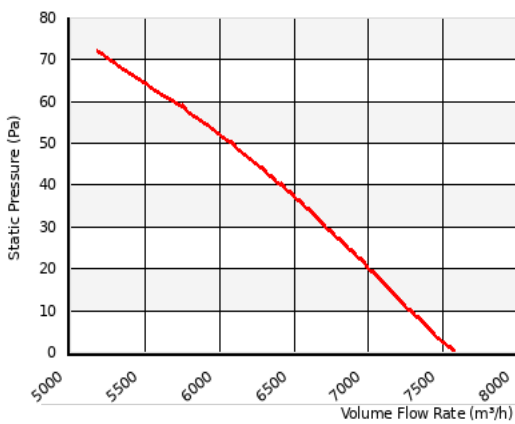
Impeller blades	4
Impeller type	3
Impeller system	C
Impeller material	PP

Control options

Triac controller	Yes
Transformer	Yes
Frequency drive	No
Intelligent Fan Drive	Yes

Characteristics

0 Pa 7600 m³/h
 50 Pa 6100 m³/h



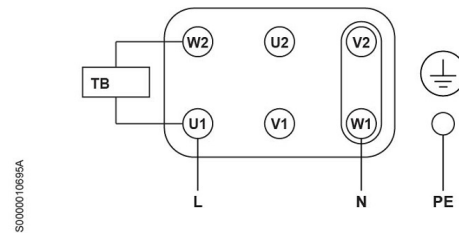
Please note: Picture may deviate from original product

Approval(s)



Wiring diagram

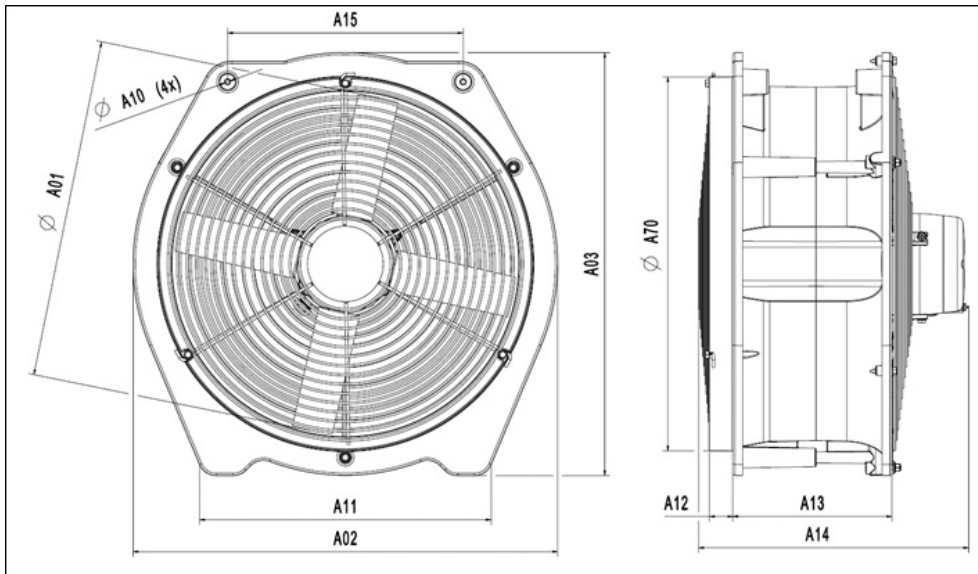
BA01 - 1 Phase - Standard - CCW



Article number: T4E45CAM81100

Circulation fans

Dimensions



A01:	472 mm
A02:	587 mm
A10:	6.5 mm
A11:	403 mm
A12:	33 mm
A13:	220 mm
A14:	374 mm
A15:	326 mm
A70:	520 mm