



## Technical data

Voltage	U	230	V
Phase		1	~
Frequency	f	50	Hz
Speed	n	1414	RPM
Power output	P <sub>o</sub>	1161	W
Nominal current	I <sub>nom</sub>	7.2	A
Cos φ		0.92	
Capacitor		32/400	μF/V
Poles		4	
Ambient temperature	T <sub>amb min/max</sub>	-25...40	°C
Insulation Class		CLF	
IP Class		IP55	
Weight		16.9	kg
Packing dimensions		380x200x220	mm
Construction		TEAO	

## Efficiency IE1

100% Load	76.5%
75% Load	73.9%
50% Load	66.0%

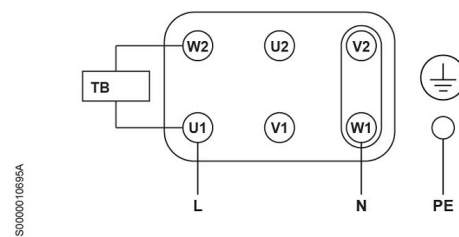
## Control options

Triac controller	No
Transformer	No
Frequency drive	No

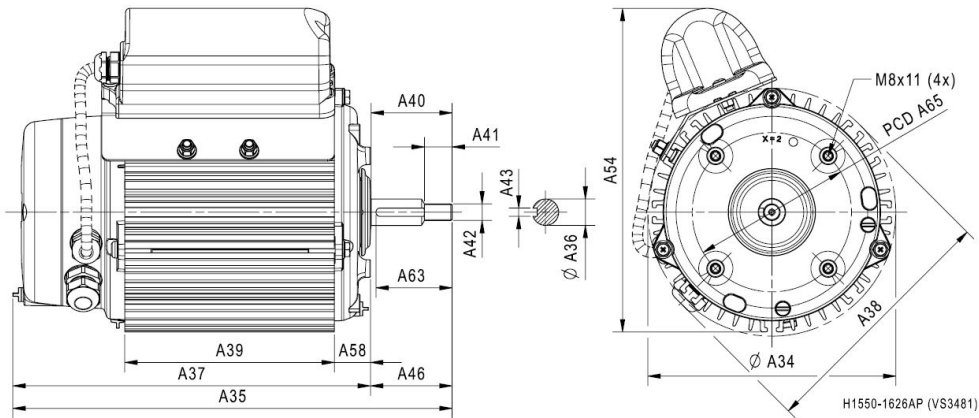


Please note: Picture may deviate from original product

## Wiring diagram



Dimensions



A34:	179 mm
A35:	317 mm
A36:	19 mm
A37:	258 mm
A38:	182.5 mm
A39:	151.5 mm
A40:	58.5 mm
A41:	20 mm
A42:	12 mm
A43:	6 mm
A46:	59 mm
A54:	234 mm
A58:	26 mm
A63:	55 mm
A65:	115 mm