



Technical data

Voltage	U	230	V
Phase		1	~
Frequency	f	50	Hz
Speed	n	510	RPM
Power consumption	P _e	1300	W
Nominal current	I _{nom}	6.1	A
Maximum current	I _{max}	6.1	A
Capacitor		24/400	μF/V
Ambient temperature	T _{amb min/max}	-25...40	°C
Insulation Class		CLF	
IP Class Fan		IP55	
Weight		38.0	kg

Fan details

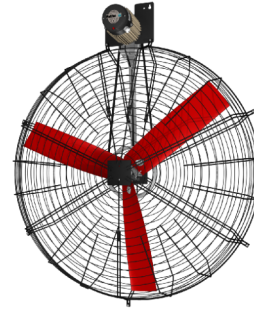
Impeller blades	3
Impeller type	10
Impeller system	N
Impeller material	PG

Control options

Triac controller	No
Transformer	No
Frequency drive	No
Intelligent Fan Drive	No

Characteristics

0 Pa	47300 m ³ /h
------	-------------------------



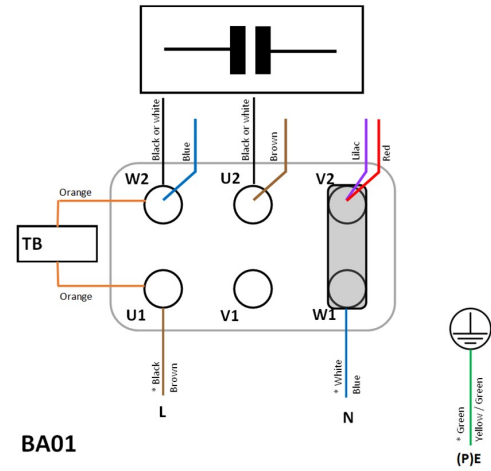
Please note: Picture may deviate from original product

Approval(s)

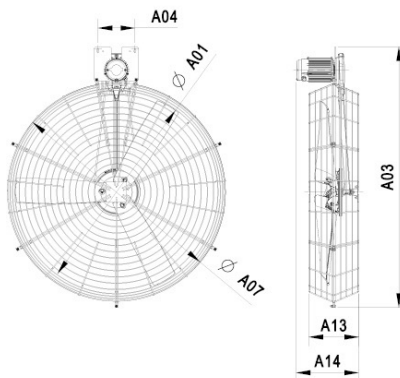


Wiring diagram - Fan

BA01 - 1 Phase - Standard - CCW



Dimensions



A01:	1284 mm
A03:	1662 mm
A04:	236 mm
A07:	1390 mm
A13:	320 mm
A14:	400 mm