



Technical data

| | | | |
|----------------------------|--------------------------|-----------------|-------|
| Voltage | U | 230/400 | V |
| Phase | | 3 | ~ |
| Frequency | f | 50 | Hz |
| Speed | n | 425 | RPM |
| Power consumption | P _e | 630 | W |
| Nominal current | I _{nom} | 2.5/1.4 | A |
| Maximum current | I _{max} | 2.6/1.5 | A |
| Cos φ | | 0.65 | |
| Capacitor | | - | μF/V |
| Service factor current | | 2.6/1.5 | A |
| Ambient temperature | T _{amb min/max} | -25...40 | °C |
| Insulation Class | | CLF | |
| IP Class Fan | | IP55 | |
| Sound pressure level (2 m) | L _p (meas.) | 63 | db(A) |
| Sound pressure level (7 m) | L _p (calc.) | 52 | db(A) |
| Weight | | 41.3 | kg |
| Packing dimensions | | 561.5x1000x1000 | mm |

Fan details

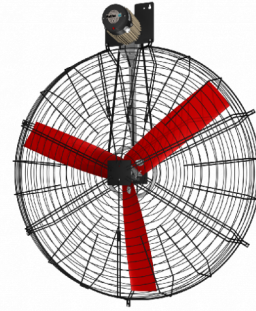
| | |
|-------------------|----|
| Impeller blades | 3 |
| Impeller type | 10 |
| Impeller system | N |
| Impeller material | PG |

Control options

| | |
|-----------------------|-----|
| Triac controller | No |
| Transformer | Yes |
| Frequency drive | Yes |
| Intelligent Fan Drive | Yes |

Characteristics

| | |
|------|-------------------------|
| 0 Pa | 40100 m ³ /h |
|------|-------------------------|



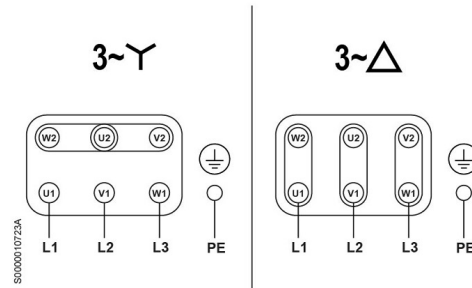
Please note: Picture may deviate from original product

Approval(s)



Wiring diagram

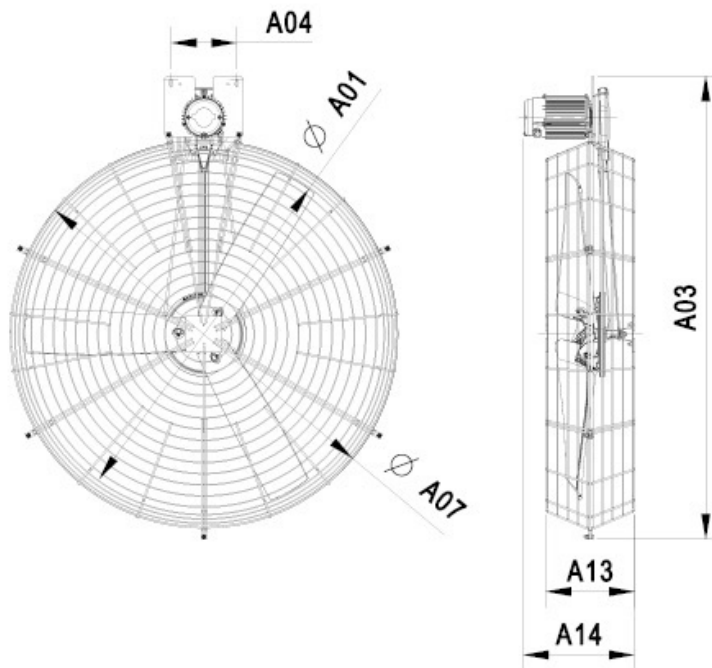
BB01 - 3 Phase - Y connection - CCW



Article number: K4D13B1M11100

Basket fans

Dimensions



| | |
|------|---------|
| A01: | 1284 mm |
| A03: | 1662 mm |
| A04: | 236 mm |
| A07: | 1390 mm |
| A13: | 320 mm |
| A14: | 400 mm |