



### Technical data

Voltage	U	230	V
Phase	1		~
Frequency	f	50	Hz
Speed	n	925	RPM
Power consumption	P <sub>e</sub>	530	W
Nominal current	I <sub>nom</sub>	2.4	A
Maximum current	I <sub>max</sub>	3.4	A
Cos φ		0.98	
Capacitor		16/400	μF/V
Service factor current		3.4	A
Ambient temperature	T <sub>amb min/max</sub>	-25...40	°C
Insulation Class		CLF	
IP Class Fan		IP55	
Sound pressure level (2 m)	L <sub>p (meas.)</sub>	65	dB(A)
Sound pressure level (7 m)	L <sub>p (calc.)</sub>	54	dB(A)
Weight		27.4	kg
Packing dimensions		870x870x395	mm

### Fan details

Impeller blades	4
Impeller type	5
Impeller system	G
Impeller material	PG

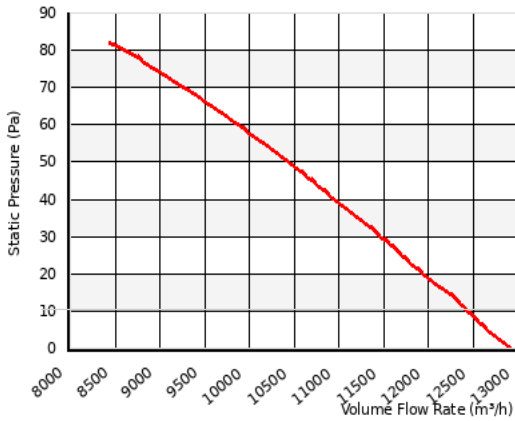
### Control options

Triac controller	Yes
Transformer	Yes
Intelligent Fan Drive	Yes
RFREINV7 control	Yes

\* This fan is suitable for 1~ frequency control with the Invertek Optidrive type RFREINV7. This Invertek Optidrive RFREINV7 is equipped with a special Vostermans Ventilation BV parameter set. This Invertek Optidrive RFREINV7 is available from Vostermans Ventilation BV.

### Characteristics

0 Pa	12900 m <sup>3</sup> /h
50 Pa	10400 m <sup>3</sup> /h



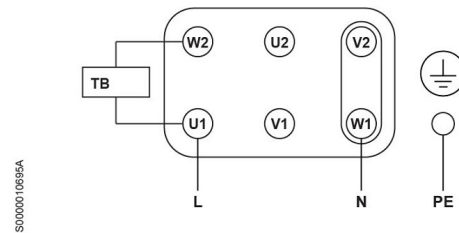
Please note: Picture may deviate from original product

### Approval(s)

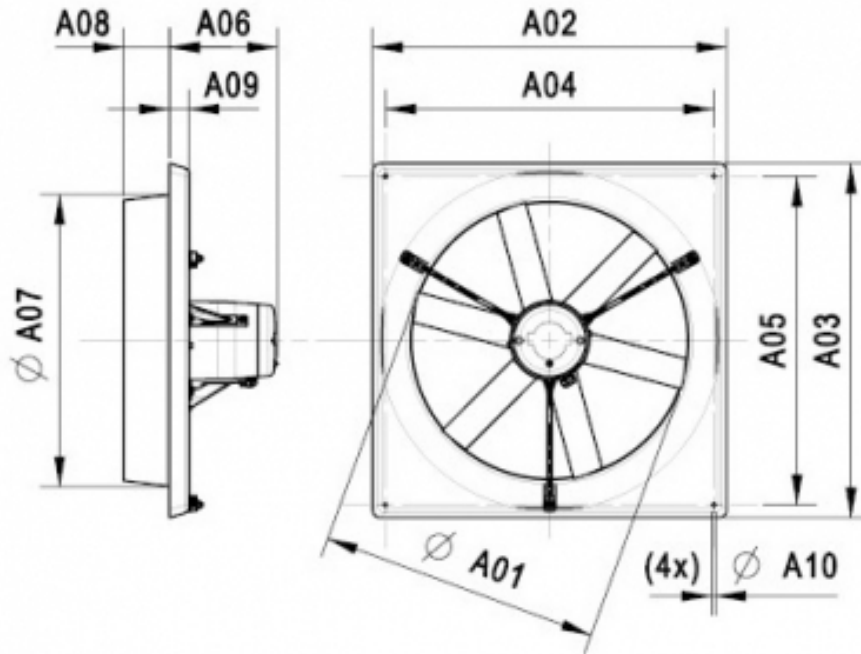


### Wiring diagram

BA01 - 1 Phase - Standard - CCW



Dimensions



A01:	712 mm
A02:	850 mm
A03:	850 mm
A04:	790 mm
A05:	790 mm
A06:	247 mm
A07:	740 mm
A08:	105 mm
A09:	40 mm
A10:	10 mm