



Technical data

Voltage	U	230	V
Phase	1		~
Frequency	f	50	Hz
Speed	n	930	RPM
Power consumption	P _e	520	W
Nominal current	I _{nom}	2.3	A
Maximum current	I _{max}	3.4	A
Cos φ		0.98	
Capacitor		16/400	μF/V
Service factor current		3.4	A
Ambient temperature	T _{amb min/max}	-25...40	°C
Insulation Class		CLF	
IP Class Fan		IP55	
Sound pressure level (2 m)	L _{p (meas.)}	67	dB(A)
Sound pressure level (7 m)	L _{p (calc.)}	56	dB(A)
Weight		24.3	kg
Packing dimensions		870x870x395	mm

Fan details

Impeller blades	4
Impeller type	5
Impeller system	G
Impeller material	PG

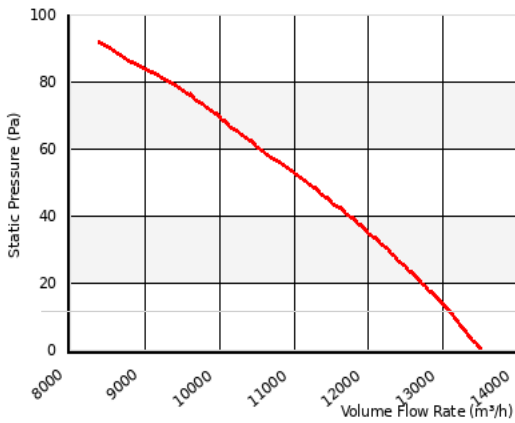
Control options

Triac controller	Yes
Transformer	Yes
Intelligent Fan Drive	Yes
RFREINV7 control	Yes

* This fan is suitable for 1~ frequency control with the Invertek Optidrive type RFREINV7. This Invertek Optidrive RFREINV7 is equipped with a special Vostermans Ventilation BV parameter set. This Invertek Optidrive RFREINV7 is available from Vostermans Ventilation BV.

Characteristics

0 Pa	13500 m ³ /h
50 Pa	11200 m ³ /h



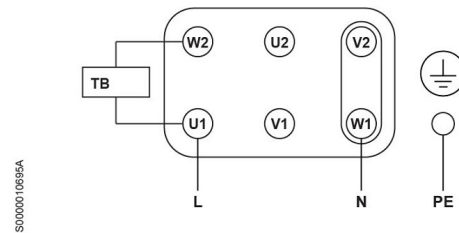
Please note: Picture may deviate from original product

Approval(s)

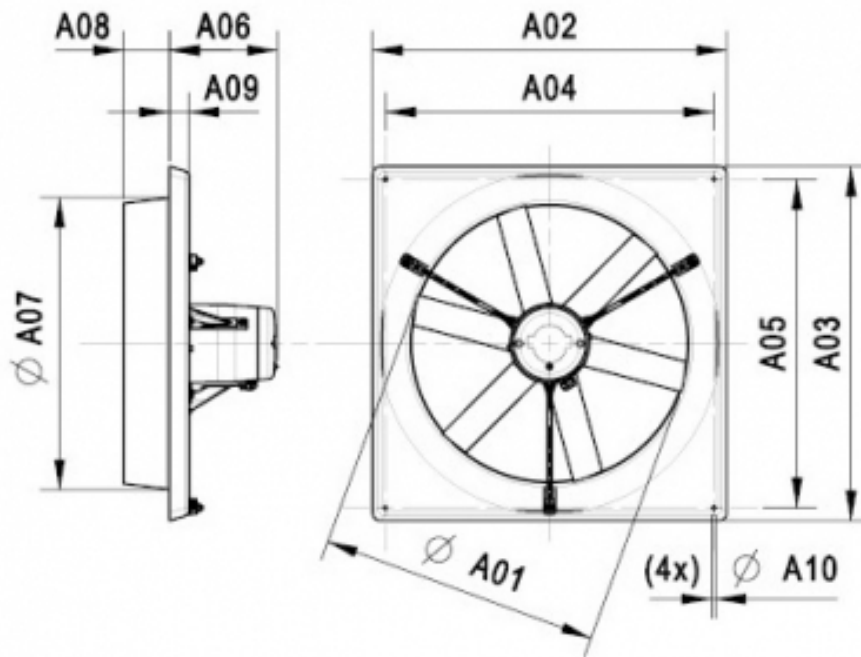


Wiring diagram

BA01 - 1 Phase - Standard - CCW



Dimensions



A01:	712 mm
A02:	850 mm
A03:	850 mm
A04:	790 mm
A05:	790 mm
A06:	247 mm
A07:	740 mm
A08:	105 mm
A09:	40 mm
A10:	10 mm