



Technical data

Voltage	U	230	V
Phase		1	~
Frequency	f	50	Hz
Speed	n	930	RPM
Power consumption	P _e	500	W
Nominal current	I _{nom}	2.2	A
Maximum current	I _{max}	3.4	A
Cos φ		0.99	
Capacitor		16/400	μF/V
Service factor current		3.4	A
Ambient temperature	T _{amb min/max}	-25...40	°C
Insulation Class		CLF	
IP Class Fan		IP55	
Sound pressure level (2 m)	L _{p (meas.)}	67	dB(A)
Sound pressure level (7 m)	L _{p (calc.)}	56	dB(A)
Weight		24.9	kg
Packing dimensions		800x790x395	mm

Fan details

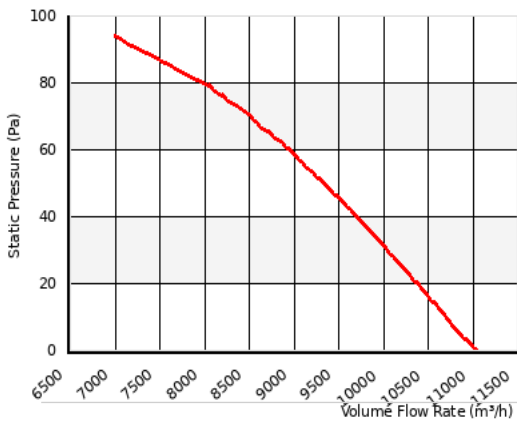
Impeller blades	5
Impeller type	5
Impeller system	G
Impeller material	PG

Control options

Triac controller	Yes
Transformer	Yes
Frequency drive	No
Intelligent Fan Drive	Yes

Characteristics

0 Pa 11000 m³/h
 50 Pa 9350 m³/h



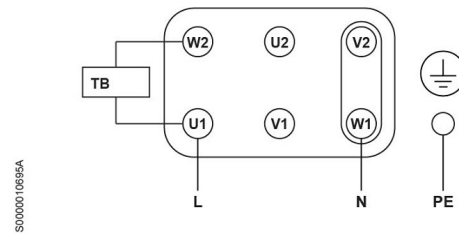
Please note: Picture may deviate from original product

Approval(s)

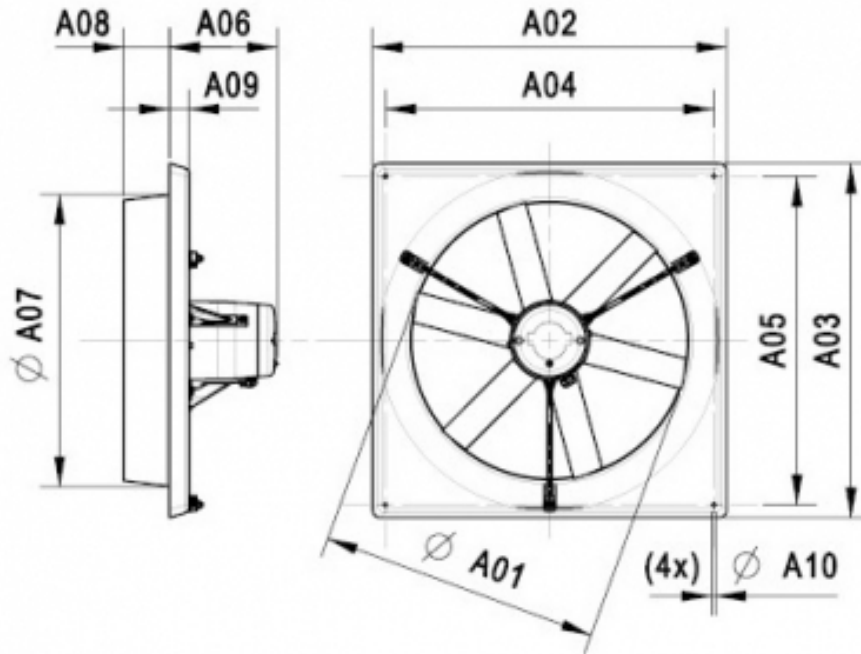


Wiring diagram

BA01 - 1 Phase - Standard - CCW



Dimensions



A01:	646 mm
A02:	775 mm
A03:	775 mm
A04:	715 mm
A05:	715 mm
A06:	247 mm
A07:	670 mm
A08:	105 mm
A09:	40 mm
A10:	10 mm