



Technical data

Voltage	U	230	V
Phase		1	~
Frequency	f	50	Hz
Speed	n	910	RPM
Power consumption	P _e	280	W
Nominal current	I _{nom}	1.3	A
Maximum current	I _{max}	1.6	A
Cos φ		0.94	
Capacitor		07/400	μF/V
Service factor current		1.6	A
Ambient temperature	T _{amb min/max}	-25...40	°C
Insulation Class		CLF	
IP Class Fan		IP55	
Sound pressure level (2 m)	L _{p (meas.)}	60	dB(A)
Sound pressure level (7 m)	L _{p (calc.)}	49	dB(A)
Weight		16.7	kg
Packing dimensions		720x720x400	mm

Fan details

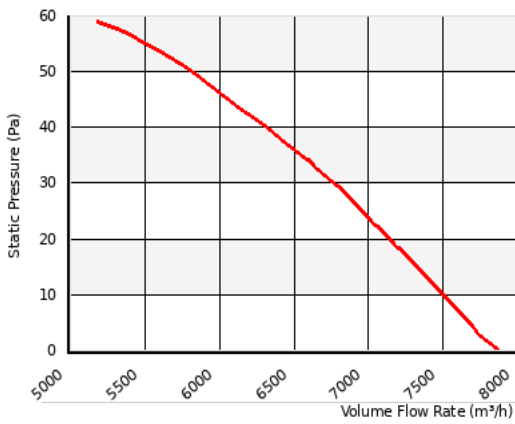
Impeller blades	6
Impeller type	4
Impeller system	K
Impeller material	PG

Control options

Triac controller	Yes
Transformer	Yes
Frequency drive	No
Intelligent Fan Drive	Yes

Characteristics

0 Pa 7900 m³/h
 50 Pa 5800 m³/h



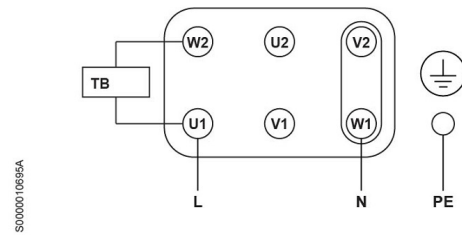
Please note: Picture may deviate from original product

Approval(s)

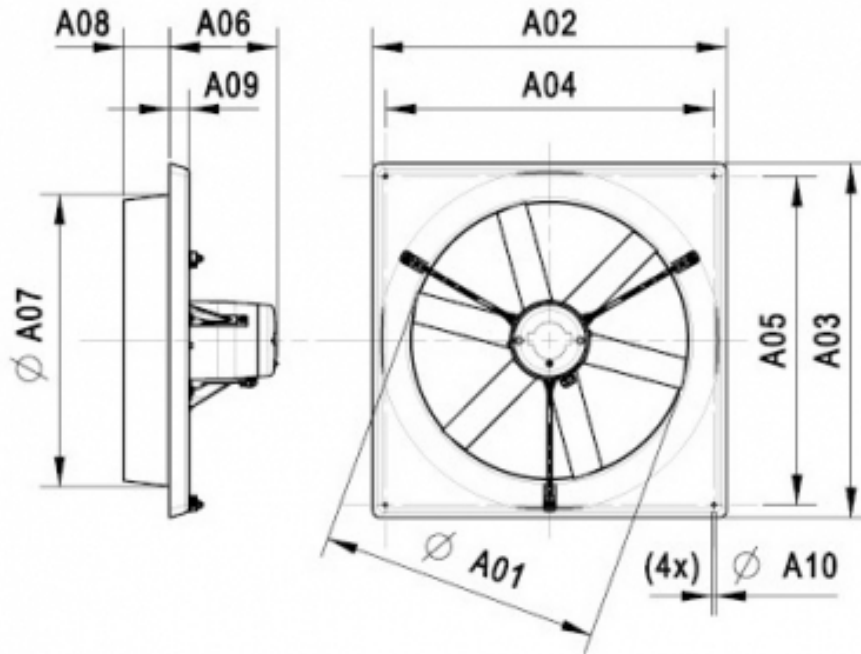


Wiring diagram

BA01 - 1 Phase - Standard - CCW



Dimensions



A01:	574 mm
A02:	700 mm
A03:	700 mm
A04:	640 mm
A05:	640 mm
A06:	192 mm
A07:	600 mm
A08:	105 mm
A09:	40 mm
A10:	10 mm