



### Technical data

Voltage	U	230	V
Phase		1	~
Frequency	f	50	Hz
Speed	n	910	RPM
Power consumption	P <sub>e</sub>	280	W
Nominal current	I <sub>nom</sub>	1.3	A
Maximum current	I <sub>max</sub>	1.6	A
Cos φ		0.94	
Capacitor		07/400	μF/V
Service factor current		1.6	A
Ambient temperature	T <sub>amb min/max</sub>	-25...40	°C
Insulation Class		CLF	
IP Class Fan		IP55	
Sound pressure level (2 m)	L <sub>p (meas.)</sub>	61	dB(A)
Sound pressure level (7 m)	L <sub>p (calc.)</sub>	50	dB(A)
Weight		14.6	kg
Packing dimensions		720x720x400	mm

### Fan details

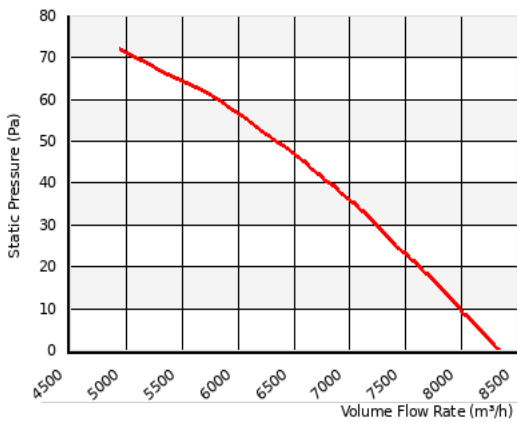
Impeller blades	6
Impeller type	4
Impeller system	K
Impeller material	PG

### Control options

Triac controller	Yes
Transformer	Yes
Frequency drive	No
Intelligent Fan Drive	Yes

### Characteristics

0 Pa 8350 m<sup>3</sup>/h  
 50 Pa 6350 m<sup>3</sup>/h



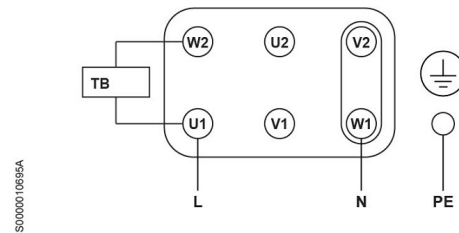
Please note: Picture may deviate from original product

### Approval(s)

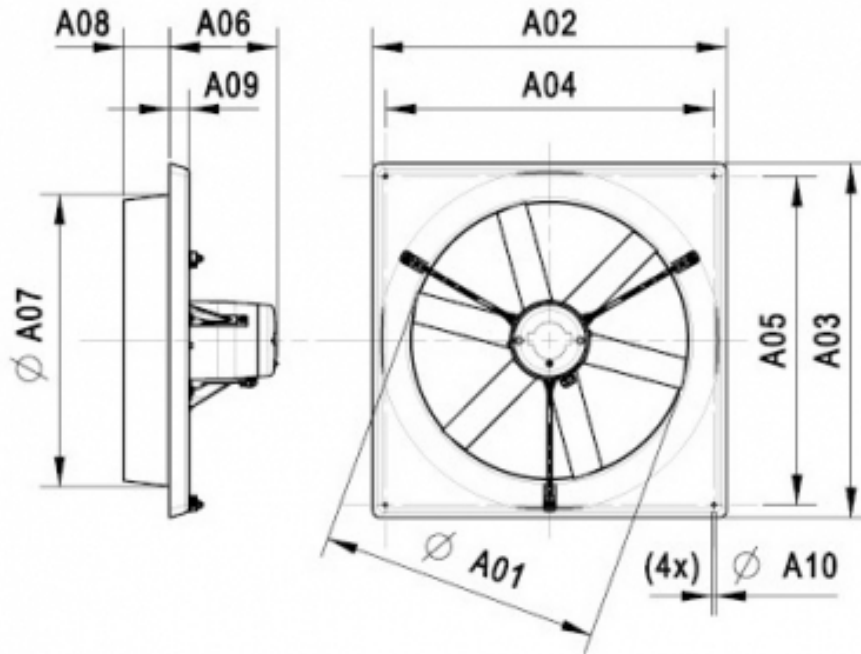


### Wiring diagram

BA01 - 1 Phase - Standard - CCW



Dimensions



A01:	574 mm
A02:	700 mm
A03:	700 mm
A04:	640 mm
A05:	640 mm
A06:	192 mm
A07:	600 mm
A08:	105 mm
A09:	40 mm
A10:	10 mm