



Technical data

Voltage	U	230	V
Phase	1	~	
Frequency	f	50	Hz
Speed	n	1365	RPM
Power consumption	P _e	410	W
Nominal current	I _{nom}	1.8	A
Maximum current	I _{max}	2.4	A
Cos φ		0.98	
Capacitor		11/400	μF/V
Service factor current		2.4	A
Ambient temperature	T _{amb min/max}	-25...40	°C
Insulation Class		CLF	
IP Class Fan		IP55	
Sound pressure level (2 m)	L _{p (meas.)}	67	dB(A)
Sound pressure level (7 m)	L _{p (calc.)}	56	dB(A)
Weight		14.1	kg
Packing dimensions		670x670x315	mm

Fan details

Impeller blades	6
Impeller type	3
Impeller system	C
Impeller material	PP

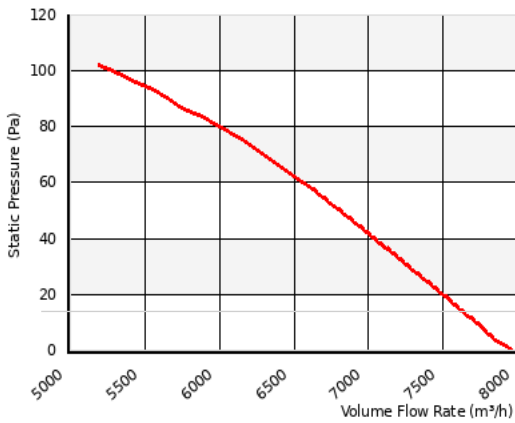
Control options

Triac controller	Yes
Transformer	Yes
Intelligent Fan Drive	Yes
RFREIN7 control	Yes

* This fan is suitable for 1~ frequency control with the Invertek Optidrive type RFREIN7. This Invertek Optidrive RFREIN7 is equipped with a special Vostermans Ventilation BV parameter set. This Invertek Optidrive RFREIN7 is available from Vostermans Ventilation BV.

Characteristics

0 Pa	7950 m ³ /h
50 Pa	6800 m ³ /h



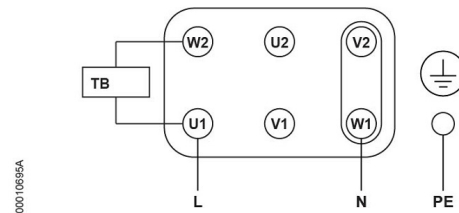
Please note: Picture may deviate from original product

Approval(s)



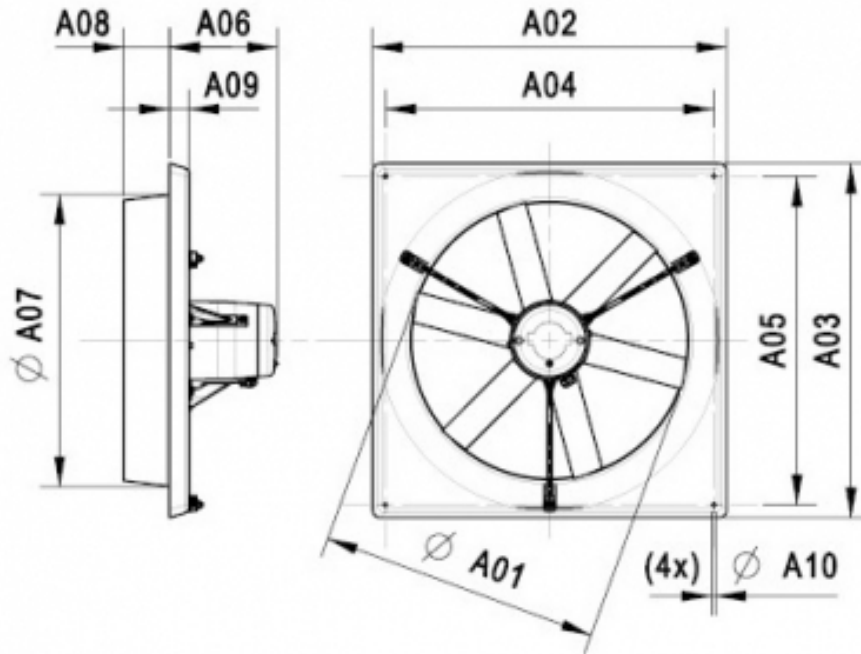
Wiring diagram

BA01 - 1 Phase - Standard - CCW



50000010695A

Dimensions



A01:	512 mm
A02:	647.5 mm
A03:	647.5 mm
A04:	600 mm
A05:	600 mm
A06:	192 mm
A07:	540 mm
A08:	84 mm
A09:	36 mm
A10:	7.5 mm