



### Technical data

Voltage	U	230	V
Phase		1	~
Frequency	f	50	Hz
Speed	n	1395	RPM
Power consumption	P <sub>e</sub>	310	W
Nominal current	I <sub>nom</sub>	1.5	A
Maximum current	I <sub>max</sub>	2.2	A
Cos φ		0.93	
Capacitor		08/400	μF/V
Service factor current		2.2	A
Ambient temperature	T <sub>amb min/max</sub>	-25...40	°C
Insulation Class		CLF	
IP Class Fan		IP55	
Sound pressure level (2 m)	L <sub>p (meas.)</sub>	67	dB(A)
Sound pressure level (7 m)	L <sub>p (calc.)</sub>	56	dB(A)
Weight		12.9	kg
Packing dimensions		620x620x315	mm

### Fan details

Impeller blades	6
Impeller type	3
Impeller system	C
Impeller material	PP

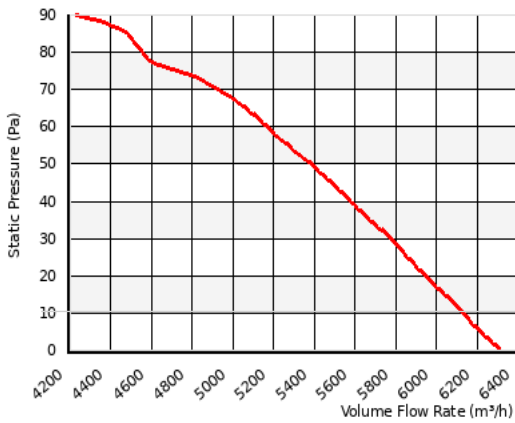
### Control options

Triac controller	Yes
Transformer	Yes
Intelligent Fan Drive	Yes
RFREINV7 control	Yes

\* This fan is suitable for 1~ frequency control with the Invertek Optidrive type RFREINV7. This Invertek Optidrive RFREINV7 is equipped with a special Vostermans Ventilation BV parameter set. This Invertek Optidrive RFREINV7 is available from Vostermans Ventilation BV.

### Characteristics

0 Pa 6300 m<sup>3</sup>/h  
 50 Pa 5400 m<sup>3</sup>/h



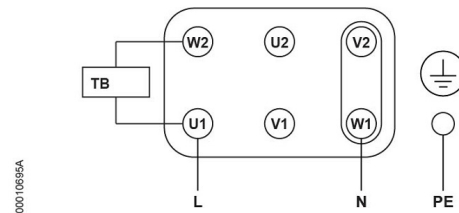
Please note: Picture may deviate from original product

### Approval(s)



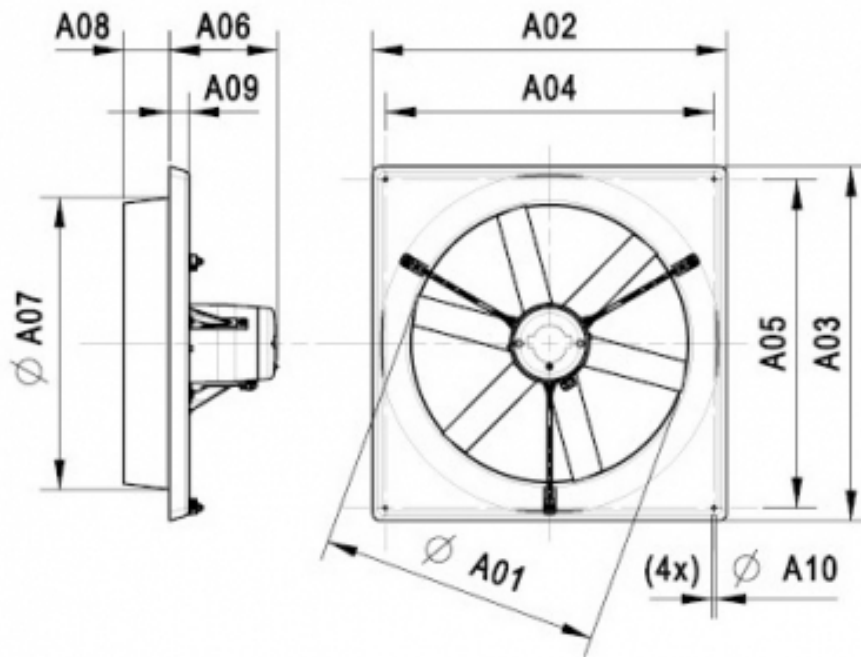
### Wiring diagram

BA01 - 1 Phase - Standard - CCW



S0000010695A

Dimensions



A01:	460 mm
A02:	592.5 mm
A03:	592.5 mm
A04:	545 mm
A05:	545 mm
A06:	192 mm
A07:	490 mm
A08:	84 mm
A09:	36 mm
A10:	7.5 mm