



### Technical data

Voltage	U	230	V
Phase	1	~	
Frequency	f	50	Hz
Speed	n	1410	RPM
Power consumption	P <sub>e</sub>	210	W
Nominal current	I <sub>nom</sub>	1	A
Maximum current	I <sub>max</sub>	1.6	A
Cos φ		0.94	
Capacitor		3.5/450	μF/V
Service factor current		1.6	A
Ambient temperature	T <sub>amb min/max</sub>	-25...40	°C
Insulation Class		CLF	
IP Class Fan		IP55	
Sound pressure level (2 m)	L <sub>p (meas.)</sub>	63	dB(A)
Sound pressure level (7 m)	L <sub>p (calc.)</sub>	52	dB(A)
Weight		12.3	kg
Packing dimensions		560x560x315	mm

### Fan details

Impeller blades	6
Impeller type	3
Impeller system	C
Impeller material	PP

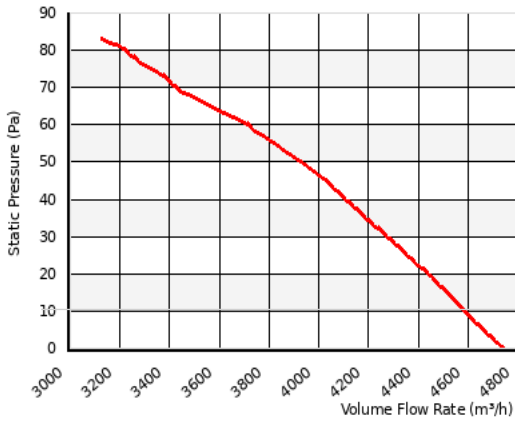
### Control options

Triac controller	Yes
Transformer	Yes
Intelligent Fan Drive	Yes
RFREINV7 control	Yes

\* This fan is suitable for 1~ frequency control with the Invertek Optidrive type RFREINV7. This Invertek Optidrive RFREINV7 is equipped with a special Vostermans Ventilation BV parameter set. This Invertek Optidrive RFREINV7 is available from Vostermans Ventilation BV.

### Characteristics

0 Pa	4750 m <sup>3</sup> /h
50 Pa	3950 m <sup>3</sup> /h



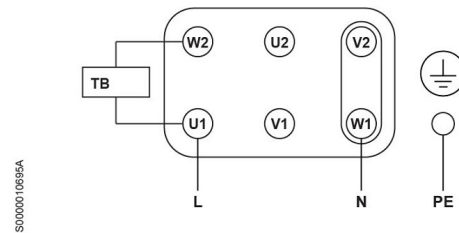
Please note: Picture may deviate from original product

### Approval(s)

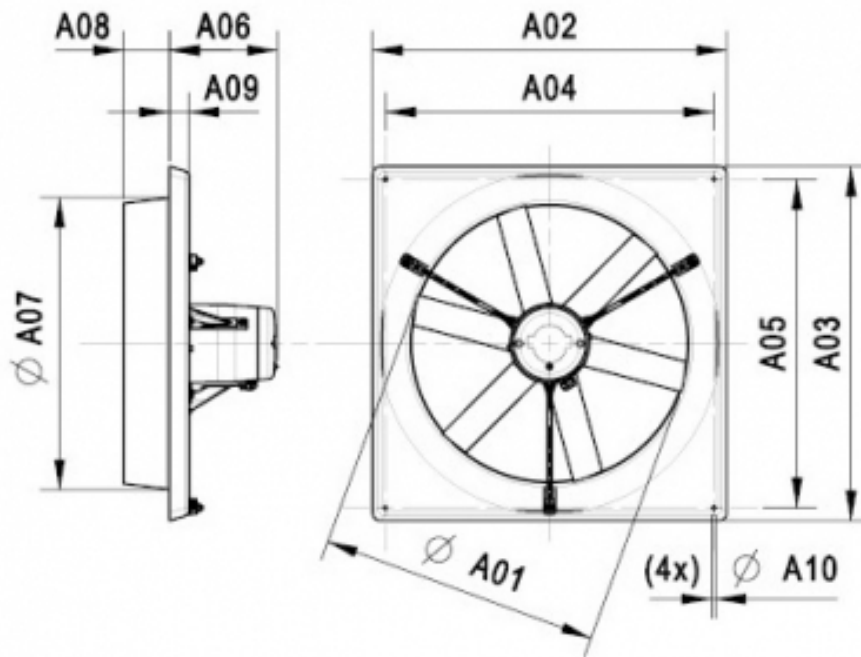


### Wiring diagram

BA01 - 1 Phase - Standard - CCW



Dimensions



A01:	415 mm
A02:	542.5 mm
A03:	542.5 mm
A04:	495 mm
A05:	495 mm
A06:	192 mm
A07:	440 mm
A08:	84 mm
A09:	36 mm
A10:	7.5 mm