



Technical data

Voltage	U	230	V
Phase		1	~
Frequency	f	50	Hz
Speed	n	1415	RPM
Power consumption	P _e	100	W
Nominal current	I _{nom}	0.5	A
Maximum current	I _{max}	0.7	A
Cos φ		0.97	
Capacitor		03/400	μF/V
Service factor current		0.7	A
Ambient temperature	T _{amb min/max}	-25...40	°C
Insulation Class		CLF	
IP Class Fan		IP55	
Sound pressure level (2 m)	L _{p (meas.)}	58	dB(A)
Sound pressure level (7 m)	L _{p (calc.)}	47	dB(A)
Weight		9.2	kg
Packing dimensions		460x460x315	mm

Fan details

Impeller blades	6
Impeller type	3
Impeller system	C
Impeller material	PP

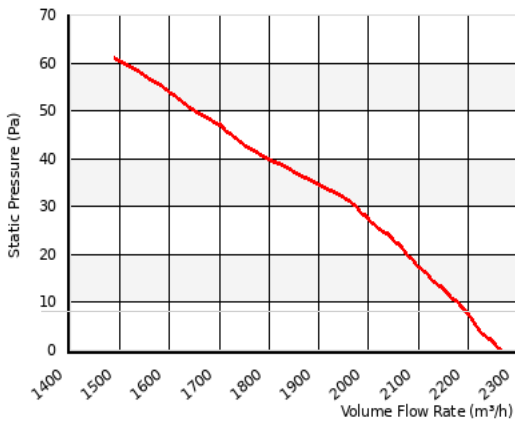
Control options

Triac controller	Yes
Transformer	Yes
Intelligent Fan Drive	Yes
RFREINV7 control	Yes

* This fan is suitable for 1~ frequency control with the Invertek Optidrive type RFREINV7. This Invertek Optidrive RFREINV7 is equipped with a special Vostermans Ventilation BV parameter set. This Invertek Optidrive RFREINV7 is available from Vostermans Ventilation BV.

Characteristics

0 Pa	2250 m ³ /h
50 Pa	1650 m ³ /h



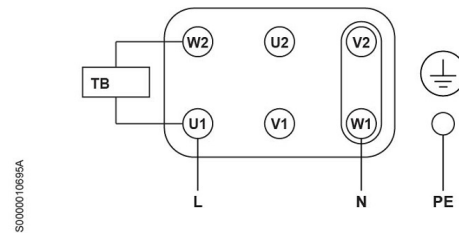
Please note: Picture may deviate from original product

Approval(s)



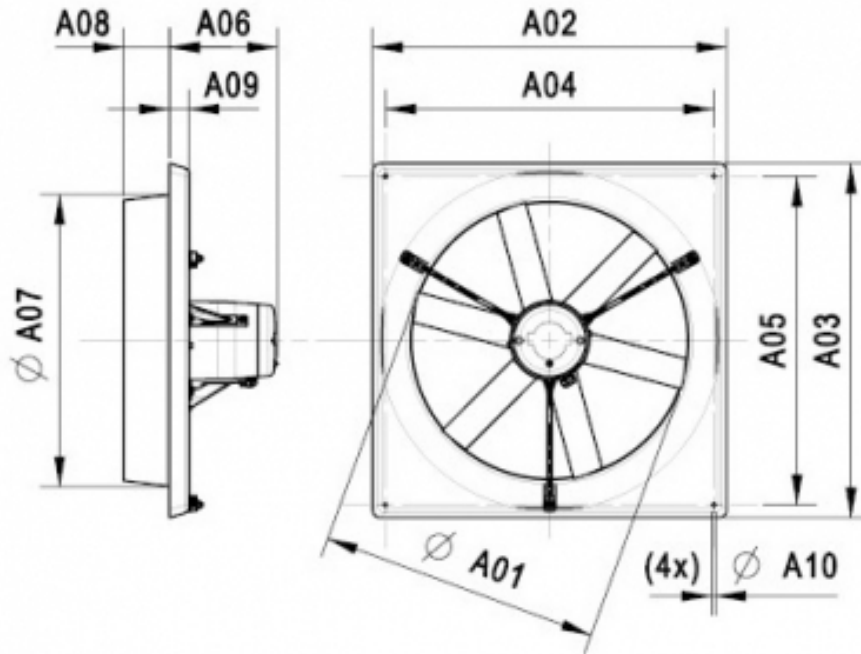
Wiring diagram

BA01 - 1 Phase - Standard - CCW



S0000010655A

Dimensions



A01:	312 mm
A02:	442.5 mm
A03:	442.5 mm
A04:	395 mm
A05:	395 mm
A06:	192 mm
A07:	340 mm
A08:	84 mm
A09:	36 mm
A10:	7.5 mm