



Technical data

Voltage	U	230/400	V
Phase		3	~
Frequency	f	50	Hz
Speed	n	585	RPM
Power consumption	P _e	1600	W
Nominal current	I _{nom}	5.1/3	A
Maximum current	I _{max}	5.4/3.1	A
Cos φ		0.73	
Capacitor		-	μF/V
Service factor current		5.4/3.1	A
Ambient temperature	T _{amb min/max}	-25...40	°C
Insulation Class		CLF	
IP Class Fan		IP55	
Sound pressure level (2 m)	L _p (meas.)	76	db(A)
Sound pressure level (7 m)	L _p (calc.)	65	db(A)
Weight		73.5	kg
Packing dimensions		1385x460x1385	mm

Fan details

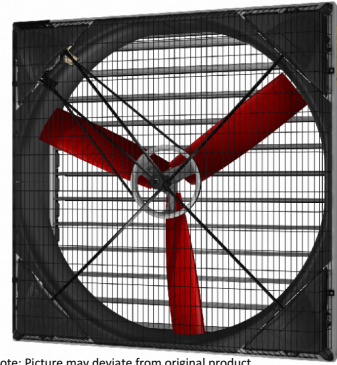
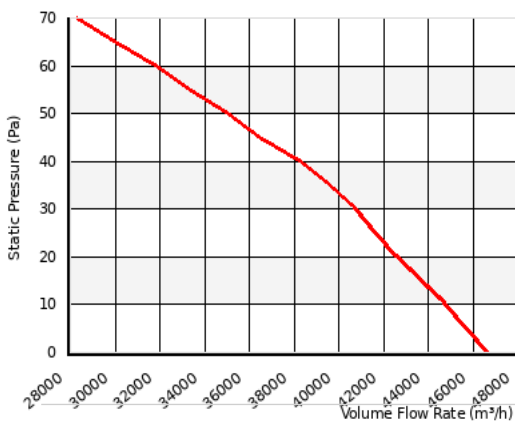
Impeller blades	3
Impeller type	10
Impeller system	N
Impeller material	PG

Control options

Triac controller	No
Transformer	No
Frequency drive	No
Intelligent Fan Drive	No

Characteristics

0 Pa 46700 m³/h
50 Pa 35000 m³/h



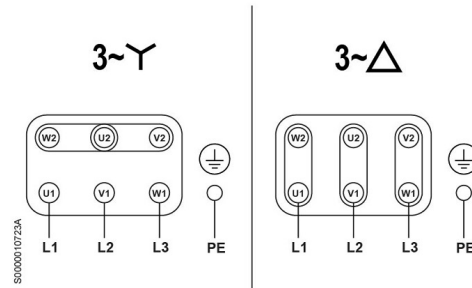
Please note: Picture may deviate from original product

Approval(s)



Wiring diagram

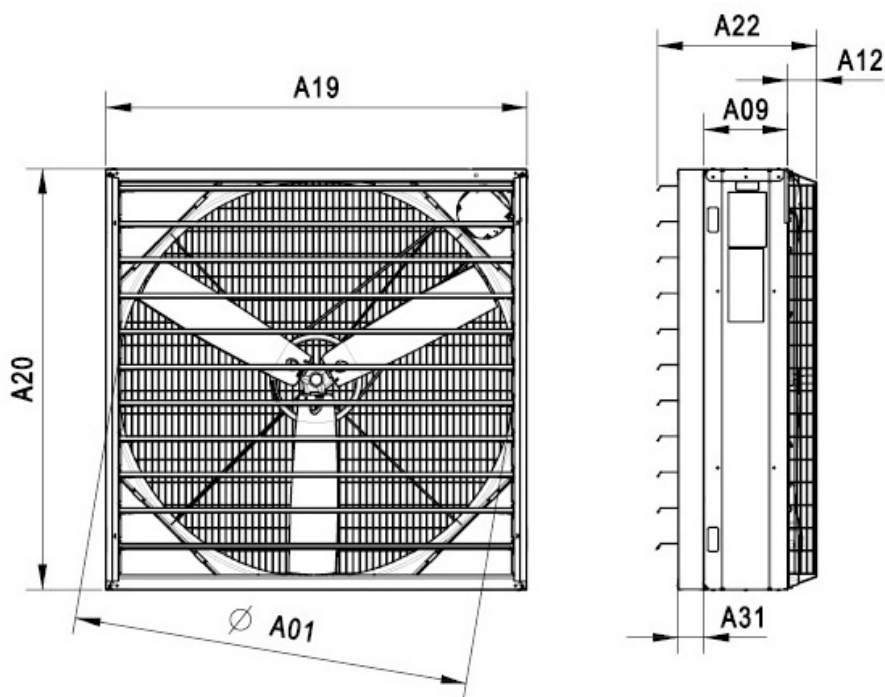
BB01 - 3 Phase - Y connection - CCW



Article number: V4D13A0M11036

Galvanised box fans - High volume

Dimensions



A01:	1284 mm
A09:	275 mm
A12:	96 mm
A19:	1382 mm
A20:	1382 mm
A22:	523 mm
A31:	85 mm