



### Technical data

Voltage	U	230	V
Phase		1	~
Frequency	f	50	Hz
Speed	n	580	RPM
Power consumption	P <sub>e</sub>	1600	W
Nominal current	I <sub>nom</sub>	7.8	A
Maximum current	I <sub>max</sub>	8.2	A
Cos φ		0.89	
Capacitor		32/400	μF/V
Service factor current		8.2	A
Ambient temperature	T <sub>amb min/max</sub>	-25...40	°C
Insulation Class		CLF	
IP Class Fan		IP55	
Weight		74.7	kg
Packing dimensions		1385x460x1385	mm

### Fan details

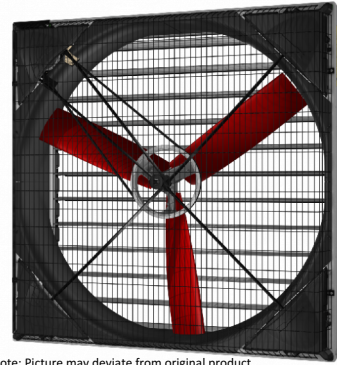
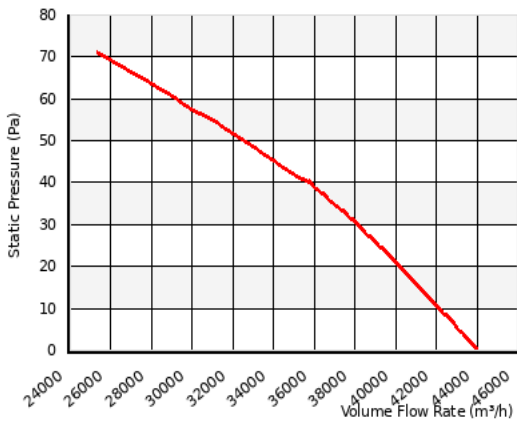
Impeller blades	3
Impeller type	10
Impeller system	N
Impeller material	PG

### Control options

Triac controller	No
Transformer	No
Frequency drive	No
Intelligent Fan Drive	No

### Characteristics

0 Pa 44000 m<sup>3</sup>/h  
 50 Pa 32500 m<sup>3</sup>/h



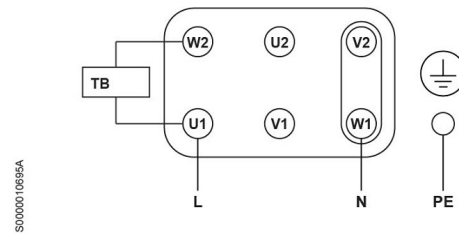
Please note: Picture may deviate from original product

### Approval(s)



### Wiring diagram

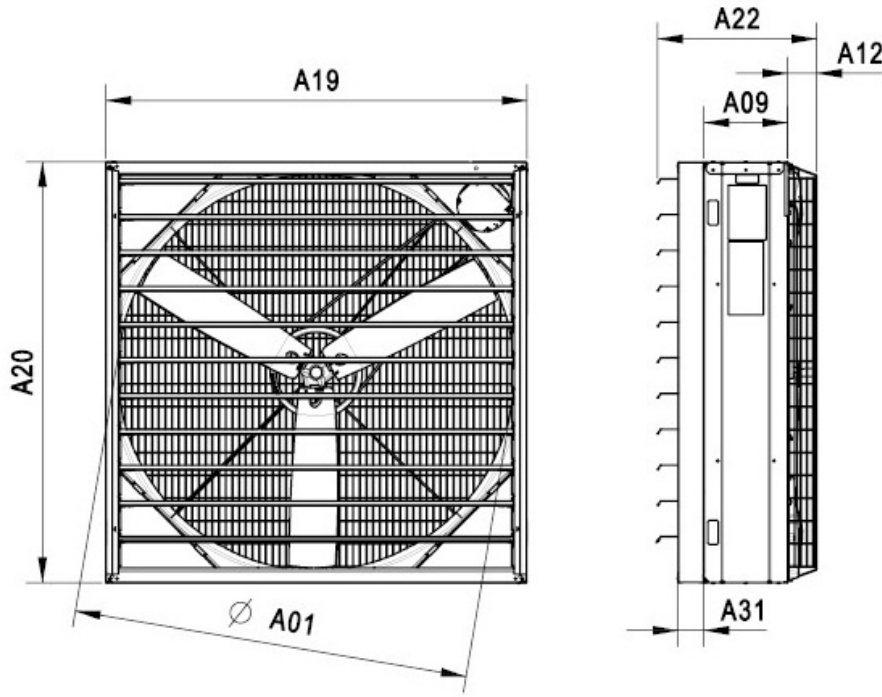
BA20 - 1 Phase - Standard Startup Capacitor - CCW



Article number: V4E13A0M11036

Galvanised box fans

### Dimensions



A01:	1284 mm
A09:	275 mm
A12:	96 mm
A19:	1382 mm
A20:	1382 mm
A22:	523 mm
A31:	85 mm