

The Universal Pad Washer Instruction Manual

IMPORTANT

Please make certain that the person intended to use this equipment carefully reads and understands these instructions before starting operations.



U.S. Patent No. 7,828,001

www.padwasher.com

Safety

Always use a Ground Fault Circuit Interrupter (GFCI), such as the one shown in Figure 1, when using corded electrical devices with the *Universal Pad Washer*.

1. Water and electricity DO NOT MIX. For your protection, a GFCI should always be used when using ANY electric tool around water. For everyone's protection, any users and potential users of the *Universal Pad Washer* should be notified of this warning. A GFCI can be purchased at most local hardware stores.

2. Always use proper safety equipment. Always wear eye protection. Dust masks, non-slip safety shoes, and hearing protection should BE WORN when a hazard risk may be present.

3. Do not wear loose clothing around power tools. Long hair should be contained. Keep all loose objects away from moving parts.

4. Use common sense. Always respect power tools. Your undivided attention will help ensure your personal safety and prevent equipment damage.

5. Warning: misuse or failure to follow the safety rules stated in this instruction manual may cause serious personal injury.



Figure 1

Disclaimers

As you may know, when used incorrectly, **buffing pads on a rotary buffer can generate enough heat to burn paint, and even melt plastic.** This puts the plastic cleaning surfaces such as the *Grit Guard® Insert* and *Grit Guard® Extension* at risk from careless and/or reckless operation.

The *Universal Pad Washer* is designed to clean **all types of accessories and buffering pads with minimal added down force.** Excessive pressure or impact on the *Universal Pad Washer* may cause accelerated wear of your pads and the pad washer components.

Grit Guard, Inc. will not be held responsible for any misuse, damage to equipment, or personal injury caused from the use of this product.

Introduction to Universal Pad Washer

Congratulations on your purchase of the only Buffing Pad Washer that works with all types of buffing pads, buffers, and polishers.

Whether you're using a rotary buffer, orbital polisher, dual-action polisher, corded or cordless drill, pneumatic polisher, or even a dual-headed polisher, the *Universal Pad Washer* will work with your tool. Use for cleaning foam pads, wool pads, felt pads, buffing bonnets, round microfiber applicators, round foam applicators, brushes, goblet buffs, and polishing balls. **Clean pads produce better results.**

To setup the *Universal Pad Washer*:

1. Unscrew the Gamma Seal® Lid and replace with Splash Guard Assembly.
2. Follow the directions in section titled "General Operating Instructions" on Page 5.

A quick tip for Orbital and D/A Polishers

TIP: For Orbital and Dual Action Polishers, keep the polishing head rotating while cleaning and drying pads. **It is recommended that a line be drawn on the backing plate using a permanent marker (Figure 2),** so the user can see when the polisher head is rotating.



Figure 2

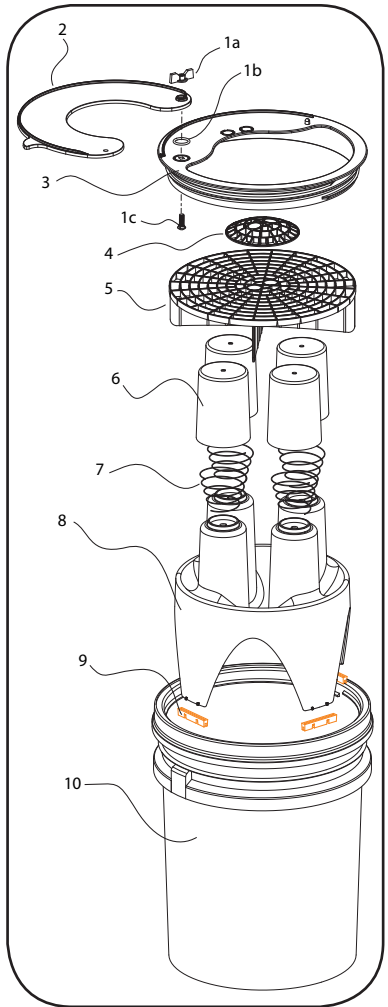
Time Saving Tip:

When buffing pads load up with compound, it wastes time and money. Cleaning your pads frequently results in shorter buffing sessions and the use of less compound.

Parts List Table

Become familiar with the names of the components in *Universal Pad Washer* as they are referred to throughout this Instruction Manual.

Item No.	Part Description	Qty
Kit	Splash guard fastener kit includes:	1
1a	Wing nut	1
1b	O-ring	1
1c	Carriage bolt	1
2	Swinging splash guard flap	1
3	Threaded splash guard lid	1
4	Grit Guard® Extension (Black)	1
5	Grit Guard® Insert	1
6	Support cup	4
7	Stainless steel springs	4
8	Support base	1
9	Non-slip feet	4
10	5-gallon bucket	1



Money Saving Tip

For longer pad life, avoid completely soaking the backing of buffing pads. Soaking the backing of buffing pads can cause adhesive failure between the buffing material and Velcro® backing.

Universal Pad Washer Setup

The *Universal Pad Washer* comes pre-assembled and requires only a few steps to prepare for use.

1. Unscrew the Gamma Seal® Lid and replace with Splash Guard Assembly.
2. Orient the *Universal Pad Washer* so the wing nut is on the user's right hand side.
3. Follow the directions in the section titled "General Operating Instructions".

General Operating Instructions



Figure 3

Fill bucket ¼” above Grit Guard® Insert

Overfilling allows for too much water to come into contact with your buffing pad or polishing tool, increasing the time required for drying.

1. Always use a Ground Fault Circuit Interrupter (GFCI) when using any corded electrical device around water.
2. Fill the bucket with water as shown in Figure 3 (photo above). The water level should be no more than ¼” above the *Grit Guard® Insert*, with the springs fully compressed.
3. Orient the *Universal Pad Washer* so the wing nut on the Splash Guard Assembly is on the user’s right hand side.
4. Apply three to five sprays of PRS (Pad Renewing Solution) (included in your box) to the object you wish to clean.
5. Place polisher/buffer inside *Universal Pad Washer* and close the Splash Guard.
6. For best results, START POLISHER/BUFFER ON LOWEST SPEED SETTING, and clean for 10 to 20 seconds. While cleaning, move polisher/buffer around inside *Universal Pad Washer* as required to clean all areas of the pad.
7. Speed setting on tool may be increased as necessary, however, limit your polisher/buffer to **no more than 25% of its maximum speed setting** while cleaning on the *Grit Guard® Insert* or *Grit Guard® Extension*.
8. Proceed to the next page for drying instructions.

Drying

Standard Drying:

After cleaning, keep Splash Guard lid closed, raise polisher slightly off the *Grit Guard® Insert* and spin out excess moisture at a higher speed.

Advanced Drying (Figure 4):

Securely place the *Grit Guard® Extension* (shown in Red for Illustrative purposes) in the Splash Guard Lid. Operate polisher on medium speed setting against the *Grit Guard® Extension* as shown in Figure 4.



Figure 4

Money Saving Tip

For longer pad life, avoid completely soaking the backing of buffing pads. Soaking the backing of buffing pads can cause adhesive failure between the buffing material and Velcro® backing.

The Grit Guard® Extension

The *Grit Guard® Extension* (shown in red for illustrative purposes) may be placed in the center of the *Grit Guard® Insert* (Figure 5) or offset around the *Grit Guard®* as shown in Figure 6, to provide optimal cleaning for various pads. Securing the *Grit Guard® Extension* in these different locations can also aid cleaning difficult areas of buffing pads such as the edge and the center.



Figure 5

NOTICE: The Grit Guard® Extension in Figure 4 and Figure 5 is shown in **Red strictly for illustrative purposes.** Your Grit Guard® Extension will be **Black.**

Conditioning Wool Pads

Many manufacturers recommend conditioning new wool pads to remove any loose fibers.

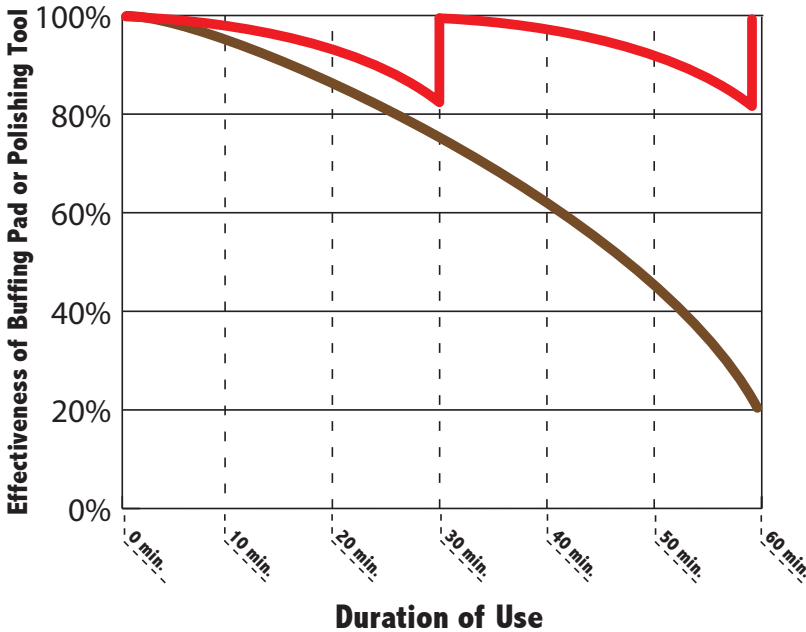
1. To condition new wool pads, simply use the *Universal Pad Washer* as directed under the section titled “General Operating Instructions”.
2. When finished conditioning wool pads clean the loose wool fibers from the Universal Pad Washer before cleaning additional pads.

Cleaning Pads During Buffing Sessions



WITH Universal Pad Washer & Pad Renewing Solution

WITHOUT Universal Pad Washer



Throughout the duration of a buffing session, buffing pads will “load-up” with compound, oxidation, and contaminants, greatly decreasing the buffing pad’s polishing and cutting ability. **Use the *Universal Pad Washer* several times during each buffing session to minimize build-up of compound and bonded contaminants in your buffing pads.** This will help you achieve better results with less time polishing.

Clean-up

Cleaning the *Universal Pad Washer* is as simple as disposing of the old water and spraying off the parts of the *Universal Pad Washer* with a garden hose. Always dispose of chemical solvents properly and do your part to help keep the environment clean. DO NOT dump used water down storm drains or sewers, and avoid disposal around lakes, streams, and rivers.

IMPORTANT: Always make sure you have four orange non-slip feet after cleaning the *Universal Pad Washer*.

Need help with your *Universal Pad Washer*?

Visit us on the web at www.padwasher.com or call our toll free number below and our support team will be happy to assist you.

Need more PRS?



PRS is available through your Grit Guard dealer in 16 ounce and 128 ounce sizes. Not only does PRS clean buffing and polishing pads, it is a great general purpose cleaner. Use PRS around the workshop and house, as well as to clean the inside of your *Universal Pad Washer*. One 16 ounce bottle cleans approximately 100 pads.

Manufactured by Grit Guard, Inc.

www.gritguard.com

Toll Free in U.S. 1-866-592-5925

Outside of U.S. +1-937-592-9003

Made in U.S.A.

U.S. Patent Number 7,828,001