

# APOLLO PRO V

## COMMERCIAL FLUID ROWER

### **FDF** Designed robustly, performs superbly

Functioning with precision, this gorgeous indoor rower is guaranteed to turn heads and leave others green with envy. Complete with a hand lacquered American Ash woodgrain finish for the ultimate lavish-factor, the Apollo Pro V enhances any grand environment. Whether placed in a commercial or quality home studio, this ruggedly designed rower never disappoints, meeting its demands with ease.

Flawlessly reproducing the natural catch and consistent resistance of on-water rowing, the Apollo Pro V provides a sensory workout amplified by the sight and sound of water churning through its mesmerising tank. Packing a punch with 5 x Fluid Force and 15% greater resistance than standard FDF horizontal models, the Apollo Pro V is the perfect rower for anyone seeking solid progression.

### **FDF** A rower that won't discriminate

You don't have to be a pro-athlete to reap the benefits of the Apollo Pro V design. Bluetooth auto-adjust technology automatically correlates chosen tank resistance in-sync with the console display, ensuring accurate data collation for a more efficient workout. Enjoy smart device connectivity, compatible with FDF's social app for meticulous record keeping and competitive progress tracking.

The Apollo Pro V will never discriminate against fitness ability – from a casual user through to elite athlete status, this model is so adaptable that anyone can benefit. For the less able, the Apollo Pro V can be paired with FDF's Seat Back Kit for maximum lumbar support or Elevate Kit for a conveniently higher entry and exit point.

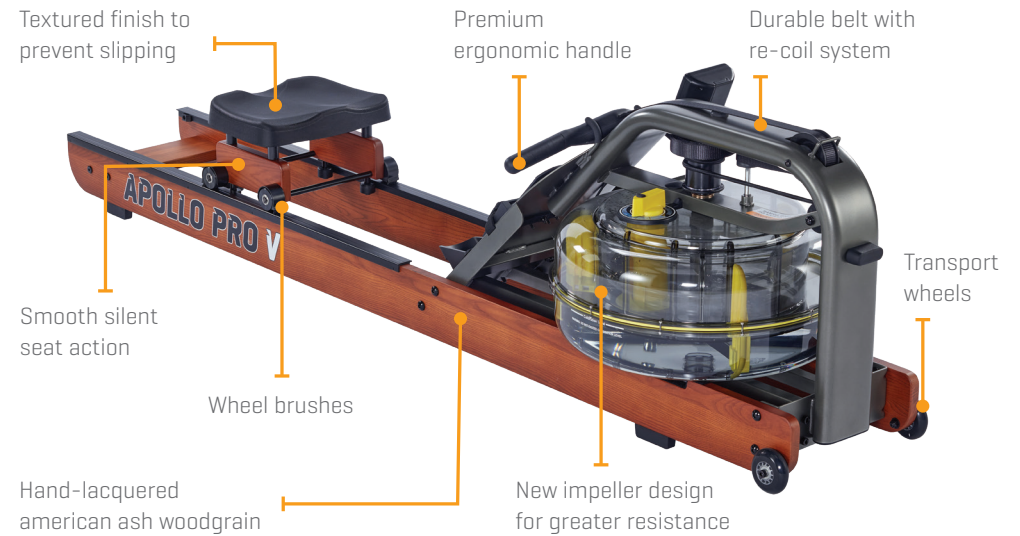


# PRODUCT HIGHLIGHTS

# APOLLO PRO V



- + Commercial-grade build with 5-year warranty
- + 5 x Fluid Force with Bluetooth auto-adjust monitor (BAM)
- + Premium ergonomic handle for optimal grip and minimal strain
- + 15% greater resistance than standard horizontal models
- + Seat rail brushes wipe away grit with each glide, extending life of product
- + Compatible with Elevate Kit for convenient on-and-off access
- + Compatible with Seat Back Kit for correct posture and optimal back support
- + Optional smartphone attachment for safe phone mounting
- + Minimal footprint and vertical storage option – 2130 x 520mm [83.86 x 20.47"], or upright 520 x 545mm [20.47 x 21.46"]
- + Max user weight – 150kg [330lbs]



## WATER ROWING AT ITS FINEST.



5 x Fluid Force V Tank



Height adjustable footplates



Optional seat back kit



Bluetooth auto-adjust monitor (BAM)

## ABOUT FIRST DEGREE FITNESS

When you use a fitness product made by FDF, you will experience a workout that has been inspired by real life. From rowing a boat on water to cycling your favourite track, our designs are engineered to simulate exercise you're passionate about.

Since the launch of our first fluid rower in 2001, we have rapidly developed a reputation as the creators of the world's finest rowing ergometers. Distributed in every continent across the globe, our fluid rower range is trusted and loved by athletes, sports trainers, medical professionals and health conscious individuals.

FOR WORKOUT TIPS AND PRODUCT SUPPORT VISIT [FIRSTDEGREEFITNESS.COM](http://FIRSTDEGREEFITNESS.COM)



FITNESS PRODUCTS  
INSPIRED BY REAL LIFE