

REDtip™
solar mounting systems

Designed
for UK
roofs

PRODUCT GUIDE



PRODUCT DESCRIPTION	PAGE
REDtip ROOF HOOKS	3-5
SOLAR FLASH	4
REDtip EXPRESSRAIL	6
REDtip EXPRESSRAIL CONNECTOR	6
CROSSCONNECT KIT	7
REDtip SWIFTRAIL	8
REDtip SWIFTRAIL-BITUMEN SEALING TAPE	8
BI METAL SELF DRILLING SCREW - A2 STAINLESS STEEL	8
REDtip MID CLAMP—ALUMINIUM & BLACK ANODISE	9-10
REDtip END CLAMP—ALUMINIUM & BLACK ANODISE	9-10
REDtip END CLAMP—ADJUSTABLE	11
T BOLTS - A2 STAINLESS STEEL	12
SERRATED FLANGE NUTS - A2 STAINLESS STEEL	12
REDtip TELKOP ROOF HOOK SCREW - A2 STAINLESS STEEL	13
TX TIMBER ROOF HOOK SCREW - A2 STAINLESS STEEL	13
SOCKET CAP SCREW SERRATED U/HD - A2 STAINLESS STEEL	13
EASY INSERT CHANNEL NUT	13
HANGER BOLT ASSEMBLY - A2 STAINLESS STEEL (WOOD & METAL SUBSTRUCTURE)	14
REDtip ADAPTER PLATE - A2 STAINLESS STEEL	14
HOOKSTOP	15
FULL PRICE LIST	16
WARRANTY	17
TERMS & CONDITIONS	18



M100 Roof Hook

For use with Plain Tiles

Rosemary Tile



Please see page 9 for Roof Hook Screws

Also Page 11 for Hook Stop Rubber Tiles

Product Code	Product Description	NET Price
20M100ROOFHOOK000	M100 REDTIP ROOF HOOK (PLAIN TILES)	each

M101 Roof Hook

For use with Large Flat Tiles



Please see page 9 for Roof Hook Screws

**Stonewold &
Mini Stonewold
Modern Duo
Ludlow**

Product Code	Product Description	NET Price
20M101ROOFHOOK000	M101 REDTIP ROOF HOOK (FLAT TILES)	each



M101* Roof Hook

For use with Slate Tiles



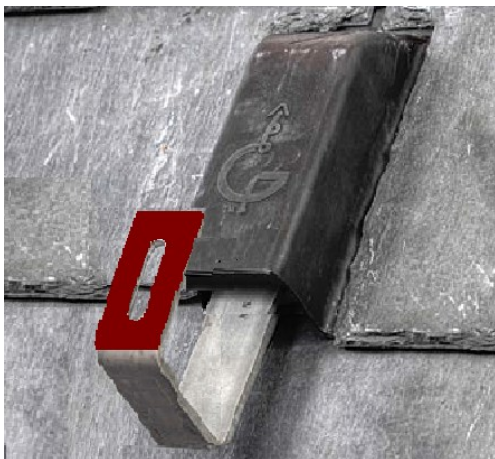
For use with Solar Flash

REDtip Roof Hooks & Solar Flash

Product Code	Product Description	NET Price
20M101ROOFHOOK000	M101* REDTIP ROOF HOOK (SLATE TILES)	each

Solar Flash

Quick, Reliable & Waterproof,
with No Lead required
The Professional slate solution



Product Code	Product Description	NET Price
20SOLARFLASH	SOLAR FLASH SYSTEM	each
20SOLARFLASH NB	SOLARFLASH NEW BUILD	each



Please visit us at www.redtip.co

M103 Roof Hook

For use with Profile Tile

(Large Format Tiles, Bold roll / Pantile)



Please see page 9 for
Roof Hook Screws

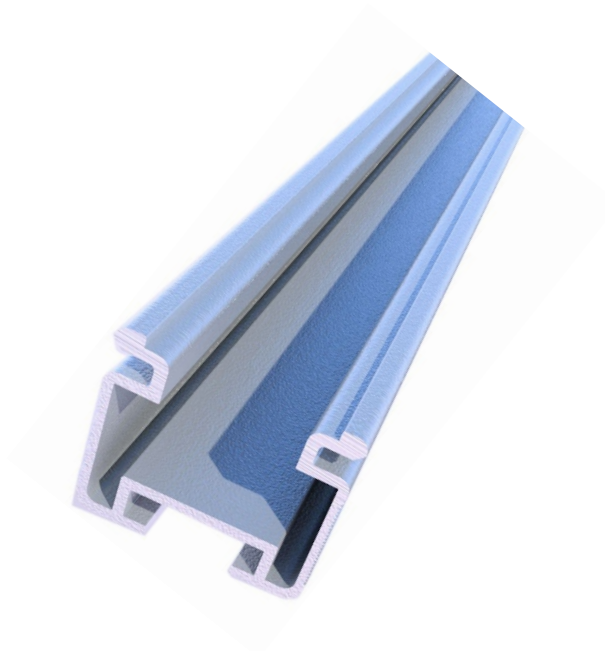
Double Roman
Ashmore
Wessex
Mendip
Anglia
Grovebury
Regent
Renown
Norfolk Pantile
Landmark Pantile

Product Code	Product Description	NET Price
20M103ROOFHOOK000	M103 REDTIP ROOF HOOK (PROFILE TILES)	each



Express Rail

In 3.2mtr
Lengths



REDtip Express Rail

Product Code	Product Description	NET Price
--------------	---------------------	-----------

20MOUNTINGRAIL3200	M107 REDTIP EXPRESSRAIL 3200mm (28/15 W40 x H35)	each
--------------------	--	------



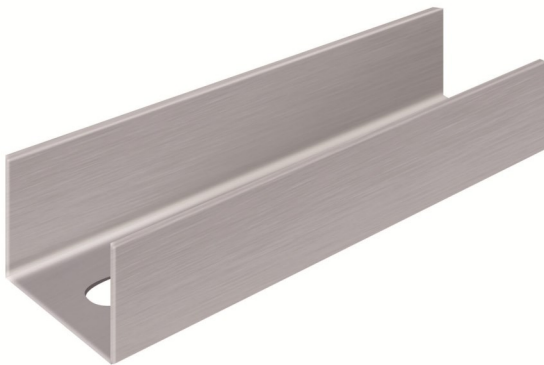
Rail End Cap

use with Express and Swift Rail

20REDTIPCAP	REDTIP RAIL END CAPS (BAGS OF 10)	each
-------------	-----------------------------------	------

Rail Connector

For use with Express Rail



Please see page 12
for Fixings

Product Code	Product Description	NET Price
--------------	---------------------	-----------

20RAILCONNECTOR000	REDTIP EXPRESSRAIL CONNECTOR	each
--------------------	------------------------------	------



Please visit us at www.redtip.co

CrossConnect Kit

(1 plate, 2 M8x25 Skt Caps, 2 M8x25 Penny Washers, 1 T-Bolt, 1 Flange Nut, 2 Channel Nuts)



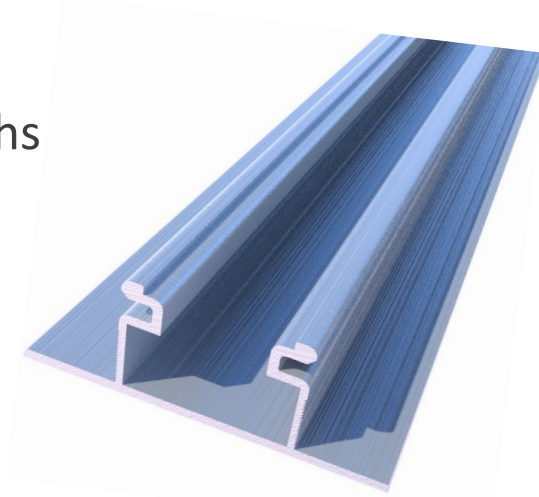
Product Code	Product Description	NET Price
QCROSSCONNECTKIT	CROSSCONNECT (1 PLATE, 2 M8 x 25 SKT CAPS, 2 M8 PENNY WASHERS, 1 T-BOLT, 1 FLANGE NUT, 2 CHANNEL NUTS)	£POA each



REDtIP Swift Rail

For use on
Trapezoidal
roofs

Swift Rail 3.2mtr Lengths



Product Code	Product Description	NET Price
20BASERAIL32000000	M110 REDTIP SWIFTRAIL 3200mm (28/15 W40 x H35)	each



EPDM Sealing Tape For use with Swift Rail

Product Code	Product Description	NET Price
20BASERAILTAPE0000	REDTIP SWIFTRAIL- EPDM Sealing (3mm x 30mm x 10m)	each

Bi Metal Self Drilling Screw

A2 Stainless Steel
To Connect Swift Rail



Product Code	Product Description	NET Price
20STITCH063003500S	BI METAL SELF DRILLING SCREW 6.3 x 35 A2	100



Please visit us at www.redtip.co

Mid Clamp Aluminium



Please see page 9 for
Skt Caps &
Channel Nuts

REDtip Mid & End Clamps

For use with
Express & Swift
Rail

Product Code	Product Description	NET Price
20MIDCLAMP00000000	REDTIP MID CLAMP (35-50mm) Aluminium	each



End Clamp Aluminium

Please see page 9 for
Skt Caps &
Channel Nuts

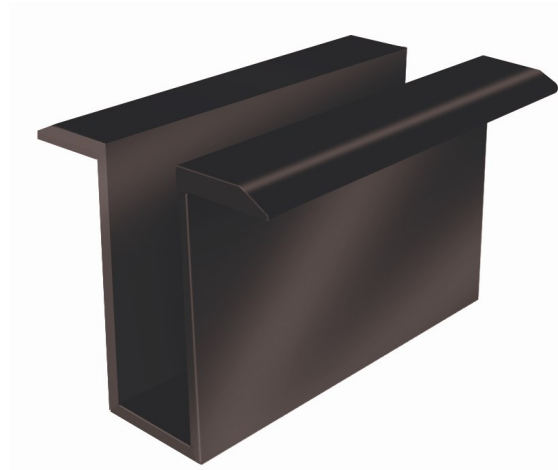
Product Code	Product Description	NET Price
20ENDCLAMP03000000	REDTIP END CLAMP 30mm Aluminium	each
20ENDCLAMP03500000	REDTIP END CLAMP 35mm Aluminium	each
20ENDCLAMP04000000	REDTIP END CLAMP 40mm Aluminium	each
20ENDCLAMP04500000	REDTIP END CLAMP 45mm Aluminium	each
20ENDCLAMP05000000	REDTIP END CLAMP 50mm Aluminium	each



Please visit us at www.redtip.co

Mid Clamp

Black Anodise



Please see page 9 for
Skt Caps &
Channel Nuts

Product Code	Product Description	NET Price
20MIDCLAMP00000BLK	REDTIP MID CLAMP (35-50mm) Black Anodise	each



End Clamp

Black Anodise

Please see page 9 for
Skt Caps &
Channel Nuts

Product Code	Product Description	NET Price
20ENDCLAMP03000BLK	REDTIP END CLAMP 30mm Black	each
20ENDCLAMP03500BLK	REDTIP END CLAMP 35mm Black	each
20ENDCLAMP04000BLK	REDTIP END CLAMP 40mm Black	each
20ENDCLAMP04500BLK	REDTIP END CLAMP 45mm Black	each
20ENDCLAMP05000BLK	REDTIP END CLAMP 50mm Black	each

REDtip
Mid & End
Clamps
Black
Anodise
For use with
Express & Swift
Rail



Please visit us at www.redtip.co

Adjustable End Clamp Aluminium

Please see page 9 for
Skt Caps &
Channel Nuts



REDtip Adjustable End Clamps

For use with
Express & Swift
Rail

Product Code	Product Description	NET Price
20ADJUSTABLECLAMP0	REDTIP END CLAMP ALUMINIUM - ADJUSTABLE	Each

Adjustable End Clamp Black Anodise

Please see page 9 for
Skt Caps &
Channel Nuts



Product Code	Product Description	NET Price
20ADJUSTABLECLAMPB	REDTIP END CLAMP BLACK ANODISE - ADJUSTABLE	Each



T-Bolts & Flange Nuts

T Bolts A2 Stainless Steel



Product Code	Product Description	NET Price
20TBOL010000000000	M10 x 30 A2 T BOLT 28/15	100

Serrated Flange Nuts A2 Stainless Steel



Product Code	Product Description	NET Price
206923S01000000000	M10 SERRATED FLANGE NUT DIN 6923 A2 St/Steel	100



Please visit us at www.redtip.co

Roof Hook Screws

A2 Stainless Steel

With Self Drilling point and exhaust to prevent splitting.

(1 screwdriver bit in each box of 100 screws)



Product Code	Product Description	NET Price
20TELLKOP80008000S	M8 x 80 REDTIP ROOF HOOK SCREW - A2 St/Steel	100



TX Timber Construction Screws

A2 Stainless Steel

With Self Drilling point eliminating the need for pre drilling

Product Code	Product Description	NET Price
20TROOFH060008000S	M6 X 80 TX TIMBER ROOF HOOK SCREW - A2 St/Steel	100

Socket Cap Screw

A2 Stainless Steel

For use with mid & end clamps



Product Code	Product Description	NET Price
209120000800025000	M8 x 25 A2 DIN 912 SOCKET CAP SCREW	100
209120000800035000	M8 x 35 A2 DIN 912 SOCKET CAP SCREW	100
209120000800040000	M8 x 40 A2 DIN 912 SOCKET CAP SCREW	100
209120000800045000	M8 x 45 A2 DIN 912 SOCKET CAP SCREW	100
209120000800050000	M8 x 50 A2 DIN 912 SOCKET CAP SCREW	100

Easy Insert Channel Nuts

To be used with Mid & End Clamps



Product Code	Product Description	NET Price
20RTCHANNELNUT0800	M8 EASY INSERT CHANNEL NUT - A2 St/Steel	100

REDtip

**Roof Hook
Screws,**

Timber

Construction

Screws,

Skt Caps

&

Channel Nuts



Hanger Bolt & REDtiP Adapter Plates

Hanger Bolt

For use in-to Wooden substructures



Product Code	Product Description	NET Price
20HANGBOLT01020000	M10 x 200 HANGER BOLT ASSEMBLY (3 x DIN6923 / 1 EPDM) - A2 St/Steel	
20HANGBOLT01025000	M10 x 250 HANGER BOLT ASSEMBLY (3 x DIN6923 / 1 EPDM) - A2 St/Steel	
20DOWELASMBLY10200	M10 X 200 HANGER BOLT ASSEMBLY (3XDIN6923/1EPDM & ADAPTER PLT) - A2 St/Steel	

Hanger Bolt

For use in-to Steel substructures



Product Code	Product Description	NET Price
20HANGBTSUB0815050	M8X150/50 HANGER BOLT (206 O/A) FOR STEEL SUBSTRUCTURE - A2-St/Steel	100
20HANGBTSUB0820050	M8X200/50 HANGER BOLT (256 O/A) FOR STEEL SUBSTRUCTURE - A2-St/Steel	100



Adapter Plates

For use with Hanger Bolts

Product Code	Product Description	NET Price
20ADAPTORPLATE0100	M10 - 82 X 40 X 5mm REDtiP ADAPTER PLATE (11mm slot/hole) - A2 St/Steel	100



Please visit us at www.redtip.co

PV INSTALLERS

Put an end to broken tiles

We all know how easily Plain or Rosemary tiles break during or even after solar PV installation.

Now, with NEW HookStop™ you can stand on the roof hooks or mounting rail without breaking the tiles beneath.

HookStop™ is a patented, shock-absorbing pad that replaces the fragile tiles directly under the roof hook. It puts an end to broken tiles, reduces installation time and gives you peace of mind.



Prevents Tile Breakages

HOOK STOP

Patent pending



Gives you peace of mind ■

Up to 50% faster ■

Fits all Plain and Rosemary tiles ■

UV Stable Recycled Rubber ■

Long lasting outdoor use ■



For solar PV installations



www.hookstop.co.uk
info@hookstop.co.uk

Product Code	Product Description	MCS Accredited	NET Price
20M100ROOFHOOK000	M100 REDTIP ROOF HOOK (PLAIN TILES)		
20M101ROOFHOOK000	M101 REDTIP ROOF HOOK (FLAT TILES)		
20M101ROOFHOOK000	M101* REDTIP ROOF HOOK (SLATE TILES)		
20SOLARFLASH	SOLAR FLASH SYSTEM		
20SOLARFLASH NB	SOLARFLASH NEW BUILD		
20M103ROOFHOOK000	M103 REDTIP ROOF HOOK (PROFILE TILES)		
20MOUNTINGRAIL3200	M107 REDTIP EXPRESSRAIL 3200mm (28/15 W40 x H35)		
20REDTIPCAP	REDTIP RAIL END CAPS (BAGS OF 10)		
20RAILCONNECTOR000	REDTIP EXPRESSRAIL CONNECTOR		
QCROSSCONNECTKIT	CROSS CONNECT KIT		
20BASERAIL32000000	M110 REDTIP SWIFTRAIL 3200mm (28/15 W40 x H35)		
20BASERAILTAPE0000	REDTIP SWIFTRAIL- EPDM Sealing Tape (3mm x 30mm x 10m)		
20STITCH063003500S	BI METAL SELF DRILLING SCREW 6.3 x 35 - A2 St/Steel		
20MIDCLAMP00000000	REDTIP MID CLAMP (35-50mm) Aluminium		
20ENDCLAMP03000000	REDTIP END CLAMP 30mm Aluminium		
20ENDCLAMP03500000	REDTIP END CLAMP 35mm Aluminium		
20ENDCLAMP04000000	REDTIP END CLAMP 40mm Aluminium		
20ENDCLAMP04500000	REDTIP END CLAMP 45mm Aluminium		
20ENDCLAMP05000000	REDTIP END CLAMP 50mm Aluminium		
20MIDCLAMP00000BLK	REDTIP MID CLAMP (35-50mm) BLACK Anodise		
20ENDCLAMP03000BLK	REDTIP END CLAMP 30mm BLACK Anodise		
20ENDCLAMP03500BLK	REDTIP END CLAMP 35mm BLACK Anodise		
20ENDCLAMP04000BLK	REDTIP END CLAMP 40mm BLACK Anodise		
20ENDCLAMP04500BLK	REDTIP END CLAMP 45mm BLACK Anodise		
20ENDCLAMP04600BLK	REDTIP END CLAMP 46mm BLACK Anodise		
20ENDCLAMP05000BLK	REDTIP END CLAMP 50mm BLACK Anodise		
20ADJUSTABLECLAMP0	REDTIP END CLAMP ALUMINIUM- ADJUSTABLE		
20ADJUSTABLECLAMPB	REDTIP END CLAMP BLACK ANODISE - ADJUSTABLE		
20TBOL010000000000	M10 x30 T BOLT 28/15 - A2 St/Steel		
206923S01000000000	M10 SERRATED FLANGE NUT DIN 6923 - A2 St/Steel		
20TROOFH060008000S	M6 x 80 TX TIMBER ROOF HOOK SCREW - A2 St/Steel		
209120000800025000	M8 x 25 A2 DIN 912 SOCKET CAP SCREW		
209120000800030000	M8 x 30 A2 DIN 912 SOCKET CAP SCREW		
209120000800035000	M8 x 35 A2 DIN 912 SOCKET CAP SCREW		
209120000800040000	M8 x 40 A2 DIN 912 SOCKET CAP SCREW		
209120000800045000	M8 x 45 A2 DIN 912 SOCKET CAP SCREW		
209120000800050000	M8 x 50 A2 DIN 912 SOCKET CAP SCREW		
20RTCHANNELNUT0800	M8 EASY INSERT CHANNEL NUT- A2 St/Steel		
20HANGBOLT01020000	M10 x 200 HANGER BOLT ASSEMBLY (3 x DIN6923 / 1 EPDM) - A2 St/Steel		
20HANGBOLT01025000	M10 x 250 HANGER BOLT ASSEMBLY (3 x DIN6923 / 1 EPDM) - A2 St/Steel		
20DOWELASMBLY10200	M10 x 200 HANGER BOLT ASSEMBLY (3xDIN6923/1EPDM & ADAPTER PLT) - A2 St/		
20HANGBTSUB0815050	M8X150/50 HANGER BOLT (206 O/A) FOR STEEL SUBSTRUCTURE - A2-St/Steel		
20HANGBTSUB0820050	M8X200/50 HANGER BOLT (256 O/A) FOR STEEL SUBSTRUCTURE - A2-St/Steel		
20ADAPTORPLATE0100	M10 - 82 x 40 x 5mm REDtip ADAPTER PLATE (11mm slot/hole) - A2 St/Steel		
20HOOKSTOP000000000	HOOKSTOP (1 PACK OF 6)		

Full Price List



Please visit us at www.redtip.co

10 year durability guarantee on all REDtip products supplied.

REDtip GUARANTEE TERMS

1 Basic Guarantee

REDtip guarantees its components (all steel, aluminium and stainless steel parts), that under normal application, installation, operation and maintenance conditions they are free from material and manufacturing failures for a period of ten (10) years. In the case that the quality of a component does not meet the stated guarantee conditions REDtip will within the period of ten (10) years from date of sale by the seller or stockist.

REDtip of their own choice either repair the product or deliver a replacement. Repair and replacement delivery are the only and exclusive options this guarantee provides for and are confined to the specified duration of ten (10) years.

Costs for the dismantling of a defective component, return transport to REDtip or the authorised Seller as well as reassembly are excluded from this guarantee. Statutory warranty rights of the buyer remain unaffected.

2 Exclusion from guarantee benefits

The existing guarantee does not apply in the event of REDtip, after their own tests, establishing that a mounting system was incorrectly operated or negligently used, involved in an accident or damaged as a result of improper use, modification, incorrect installation or application, or as a result of carelessness in storage, transport or handling, or where repairs to the component were undertaken in any way or manner by persons other than REDtip or specifically authorised third parties of REDtip.

This guarantee will not be applicable to defects of components

- due to forces of nature, force majeure and other unforeseeable circumstances outside the control of REDtip, as well as, for example, earthquakes, typhoons, whirlwinds, volcanic eruptions, floods, lightning strikes, snow damage, nuclear events etc.

- due to improper maintenance and inappropriate tests, flying objects or external loads.

- with loads that are higher than the named design load in MCS 012

3 Limits of the Guarantee

The present guarantee replaces any previously given guarantees. REDtip are not liable for additional, secondary or other, however caused, damage.

4 Claims on the Guarantee

In the case that you have a justified guarantee claim, please promptly notify the authorised seller or REDtip. You will then be given information on how you can enter a claim.

In addition our general terms and conditions as well as UK law apply.

No claims can be made by the customer if the damage is covered or usually can be covered by an insurance against storm and similar events (natural peril insurance).

HOOK STOP

1. Basic Guarantee

REDtip guarantees its Polymers, that under normal application, installation and operation conditions they are free from material and manufacturing failures for a period of ten (10) years. In the case that the quality of a component does not meet the stated guarantee conditions REDtip will within the period of ten (10) years from date of sale by the seller or stockist.

REDtip will deliver a replacement as the only and exclusive option. This guarantee provides for and is confined to the specified duration of ten (10) years.

Costs for the dismantling of a defective component, return transport to REDtip or the authorised Seller as well as reassembly are excluded from this guarantee. Statutory warranty rights of the buyer remain unaffected.

2. Exclusion from guarantee benefits

The existing guarantee does not apply in the event of REDtip, after their own tests, establishing that Hook stop was incorrectly operated or negligently used, involved in an accident or damaged as a result of improper use, modification, incorrect installation or application, or as a result of carelessness in storage, transport or handling, or where repairs to the component were undertaken in any way or manner by persons other than REDtip or specifically authorised third parties of REDtip.

This guarantee will not be applicable to defects of components.

due to forces of nature, force majeure and other unforeseeable circumstances outside the control of REDtip, as well as, for example, earthquakes, typhoons, whirlwinds, volcanic eruptions, floods, lightning strikes, snow damage, nuclear events etc.

due to improper maintenance and inappropriate tests, flying objects or external loads

with loads that are higher than the named design load in MCS 012

3. Limits of the Guarantee

The present guarantee replaces any previously given guarantees. REDtip are not liable for additional, secondary or other, however caused, damage.

4. Claims on the Guarantee

In the case that you have a justified guarantee claim, please promptly notify the authorised seller or REDtip. You will then be given information on how you can enter a claim.

In addition our general terms and conditions as well as UK law apply.

No claims can be made by the customer if the damage is covered or usually can be covered by an insurance against storm and similar events (natural peril insurance).



Terms & Conditions

APPLICATION

Unless otherwise agreed in writing between the company and its customer, the following terms and conditions of sales shall apply to all sales of goods by the company to its customer.

PRICE VARIATION

Price applicable to the sales of goods by the company to the customer shall be the price ruling at the date of despatch. The company therefore reserves the right to amend prices quoted at the date of the placing of an order by the customer by notifying the customer in writing.

CARRIAGE

The Company reserves the right as part of this contract to impose such surcharge or carriage charge as shall be laid down by the company policy at any time. Such terms will be available for examination at the address of the company shown on the letterhead of its invoices and are deemed to be part of all contracts unless specifically agreed to the contrary in writing by the company. The company has sole choice of method of delivery and of carrier or carriers employed unless specifically agreed in writing to the contrary.

DESPATCH

Despatch dates are quoted without engagement although every endeavour will be made to adhere to the date or dates quoted. In no circumstances shall the company be liable for any loss arising from delay in despatch however caused. Time shall not be of the essence of the contract.

DAMAGE AND LOSS IN TRANSIT

The company accepts no liability for any damage to goods in transit unless notified to the company and the carrier concerned within twenty four hours after delivery.

In the case of non-delivery the company accepts no liability of any sort unless written notice of non-delivery is given to the company within seven days after the date of the advice of despatch of the goods.

Paragraphs one and two shall not apply to despatches to countries outside the United Kingdom of Great Britain, Northern Ireland and the Isle of Man. In respect of these countries the company accepts no liability for damage or loss in transit unless the company has contracted to supply the goods C.I.F. and the customer has adhered to the terms of the insurance policy.

The company's liability for damage in transit or non-delivery of goods duly notified to it in accordance with the above, shall in any event be limited solely to replacement of the goods within a reasonable time, whether non-delivery or damage is due to the company's negligence or otherwise.

CLAIMS

Subject to the provision of condition 5, all claims for goods alleged to be defective must be made in writing to the company within seven days after the date of delivery. When notification is so received the company may require return of the goods or for the goods to be made available for inspection by the company. Should the company be satisfied as to the defects then it retains the option to either replace the defective goods within a reasonable time or credit to the customer within the contract price. All defective goods so returned shall be the property of the company. Except as provided above, the company shall have no liability whatsoever arising out of any agreement to sell or sale of goods including claims for direct consequential or other loss, damage or expense, whether arising or alleged to arise under any warranty statement, conditional term expressed or implied, statutory or otherwise, or in negligence or alleged negligence on the part of the company or otherwise. In no circumstances shall the company be liable for loss or damage in excess of the contract sale price.

PASSING OF PROPERTY

Each of the following sub-clauses 7.1 to 7.6 are separate and severable and shall be enforceable accordingly.

Notwithstanding delivery, all goods supplied by us will remain our absolute property until you pay in full for them and for all other goods previously supplied by us;

You will store the goods in such a way that they are readily identifiable as our property, but you may, as trustees for us, sell them to a third party in the normal course of your business;

Upon any sale by you of the goods (either alone or with other items) all rights which you have against the buyer shall automatically vest in us;

We shall be entitled immediately after giving notice of our intention to repossess, to enter upon any premises with such transport as may be necessary and repossess any goods to which we have title under this Clause;

If you incorporate the goods we supply to you into other products with or without materials you already possess or which are supplied to you by third parties the property in such other product will pass to us and you shall store them without charge on our behalf as bailee.

You shall not be entitled to pledge or in any way charge by way of security any of the goods which remain our property but in the event you do so all moneys owing by you to us shall without prejudice to any other right or remedy available to us forthwith become due and payable.

PAYMENT

For the purpose of this Clause the due date shall mean the due date specified on the face of the invoice. Customers electing to pay by Direct Debit shall mean the 28th of the month following the month of the invoice. If you do not comply punctually with these terms of payment we reserve the right to charge you interest on any amount overdue at the rate of 1½% per month from the due date to the date of receipt of the monies outstanding, and without notice to suspend further deliveries until all arrears (including interest) have been paid and, at our option, to rescind any subsisting contract with you as to all or any parts of future deliveries but without prejudice to any rights already accrued to us under such contracts. Where a settlement discount is shown on the face of the invoice the customer may deduct this from his payment provided that payment in full less this discount is made by the due date.

ADDITIONAL DELIVERIES

Where the company has been obliged to make an additional delivery of the goods to the premises specified in the contract due to the failure of the customer to accept the delivery of the goods, the company reserves the right to make a charge for such additional delivery, unless the company failed to meet a specified time and date of delivery agreed in writing by the company and the customer. Any proposed delivery date specified on this invoice or on a sales order does not constitute such agreement in writing.

INTERPRETATION

Any agreement between the company and the purchaser shall be subject to and governed by the domestic law of England.

Hexstone Limited 2006





Designed
for UK
roofs

How to buy

REDtiP is available through

Hexstone Ltd t/a REDTIP

Call: 01785 553461

Contact: Natalie Washbrook

redtip@hexstone.co.uk

natalie.washbrook@hexstone.co.uk

natalie.washbrook@owlett-jaton.com

