

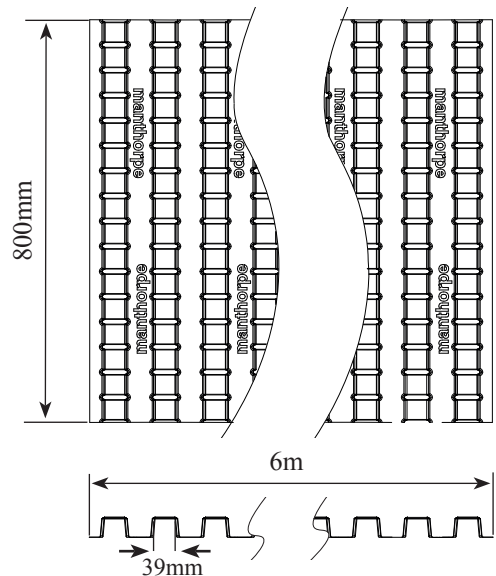
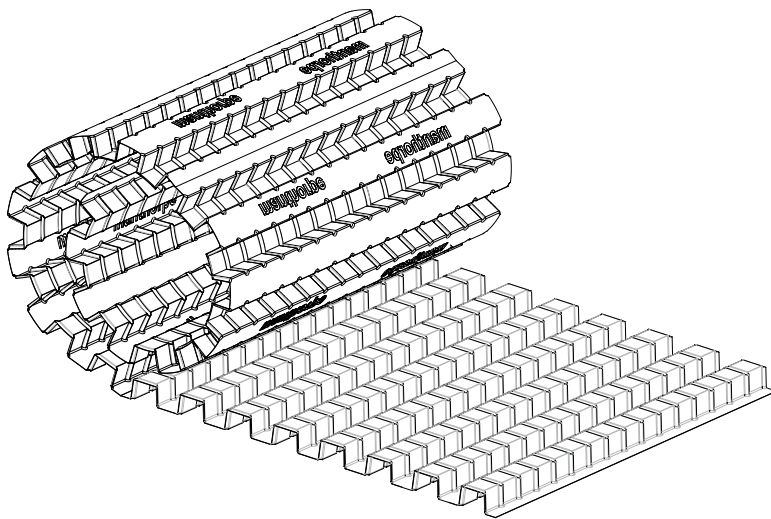
Roll Panel Ventilator

CODE **G503**

Description

The G503 Roll Panel Vent is designed to maintain an air gap between the underside of the roofing membrane or sarking board and loft insulation at the eaves, providing a continuous flow of air into the roof space.

The castellated profile is suitable for either 400mm, 450mm, or 600mm rafter centres, ideal for both new build and refurbishment where rafter centres are not consistent or unknown. A double width version is also available when extra coverage is required in low pitch and deep insulation details.



Product Specifications

Colour	Black
Material	PET (Polyethylene terephthalate)
Part Weight	2.3kg
Packing Details	12 metres 2 x 6 metre rolls per box
Free Airflow	25,000mm ² equivalent to a continuous gap of 25mm

References

Author	Publication
BSI	BS 5250: Control of condensation in buildings. BS 9250: Design of the airtightness of ceilings in pitched roofs.
Building Regulations	Approved Document L1 & L2: Conservation of fuel and power.
NHBC Standards	Technical Guidance 7.2: Pitched Roofs.
BRE	Digest Report 262: Thermal Insulation: Avoiding Risks. Digest Report 270: Condensation in Insulated Domestic Roofs.

MANTHORPE BUILDING PRODUCTS LTD
MANTHORPE HOUSE
BRITAIN DRIVE
CODNOR GATE BUSINESS PARK
RIPLEY
DERBYSHIRE DE5 3ND

TEL: 01773 303 000
FAX: 01773 303 300
EMAIL:
mbp.care@manthorpebp.co.uk
WEB
www.manthorpebp.co.uk

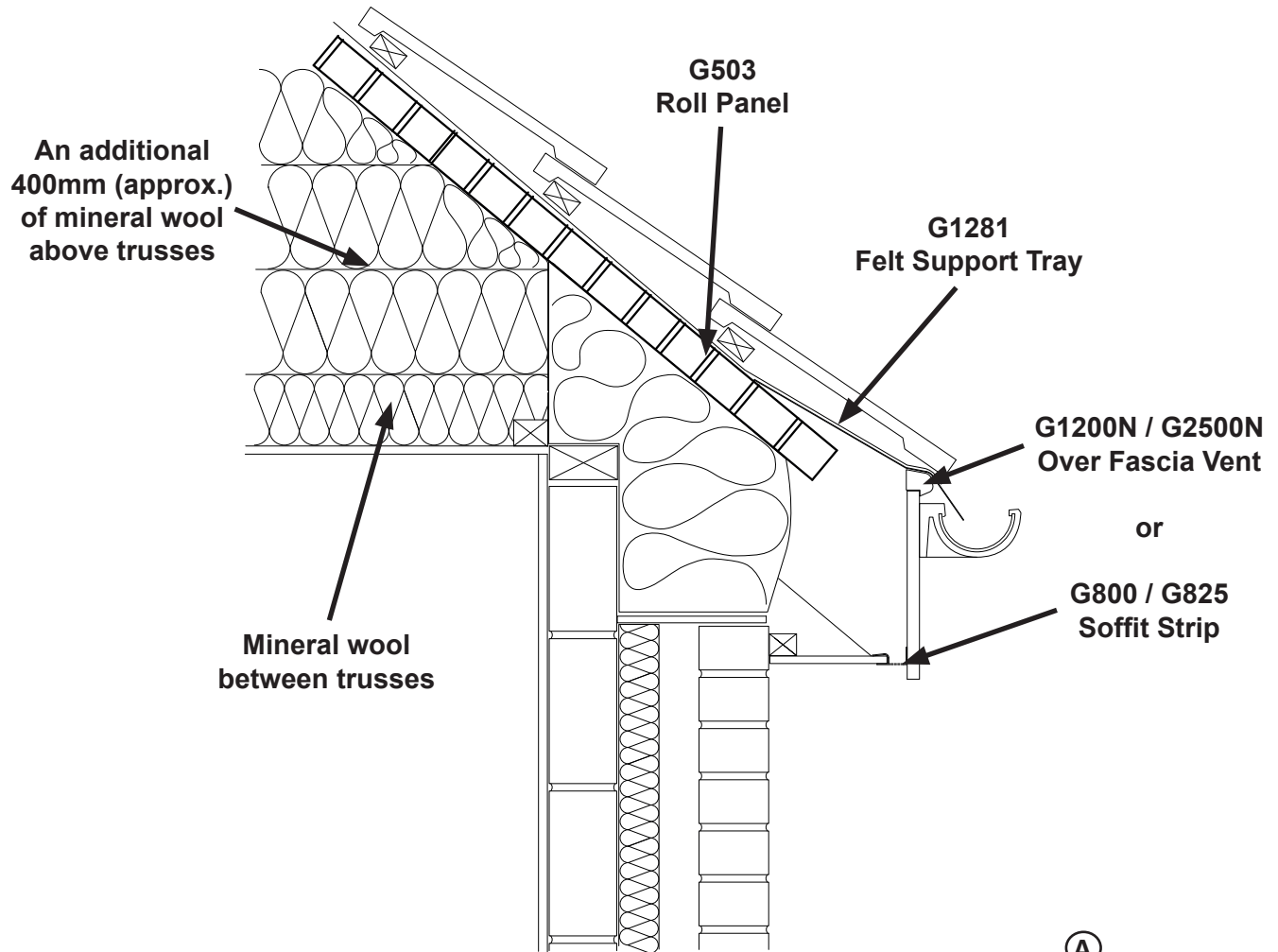
DRN J.B. Date 20.06.19
The company maintains a policy of continuous development of its product range and reserves the right to amend the specification without notice.

DRG No
MBP 8320

Issue
B
1 of 2

Roll Panel Ventilator

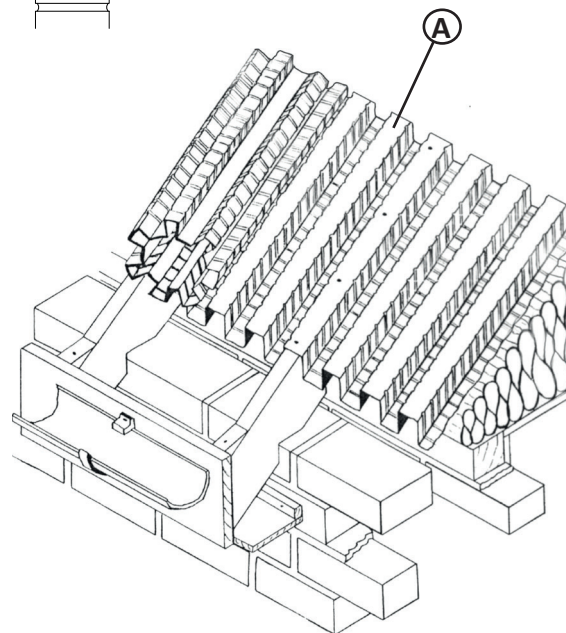
CODE **G503**



Fitting

The G503 Roll Panel Ventilator (A) should be rolled out over the full length of the eaves and adjusted to align with the required roof truss centres then nailed or stapled to secure in position as shown.

This product should be used in conjunction with other products from the Manthorpe range to provide a complete roof ventilation system.



MANTHORPE BUILDING PRODUCTS LTD
MANTHORPE HOUSE
BRITAIN DRIVE
CODNOR GATE BUSINESS PARK
RIPLEY
DERBYSHIRE DE5 3ND

TEL: 01773 303 000
FAX: 01773 303 300
EMAIL: mbp.care@manthorpebp.co.uk
WEB: www.manthorpebp.co.uk

DRN J.B. Date 20.06.19

The company maintains a policy of continuous development of its product range and reserves the right to amend the specification without notice.

DRG No
MBP 8320

Issue
B
2 of 2