

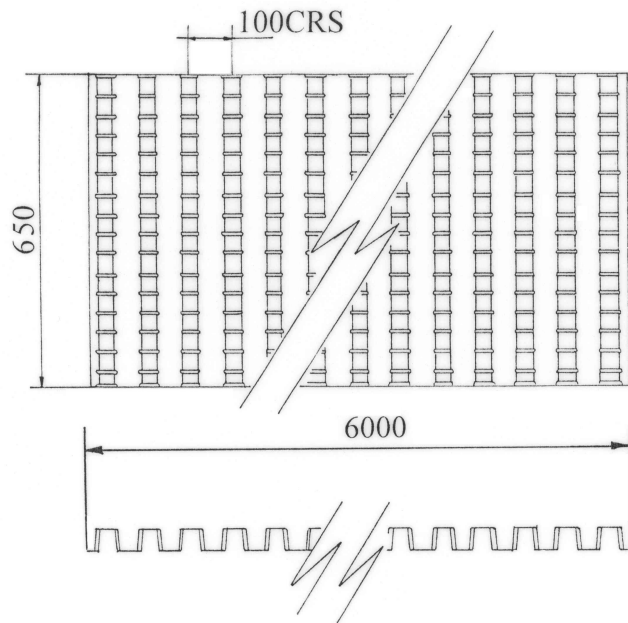
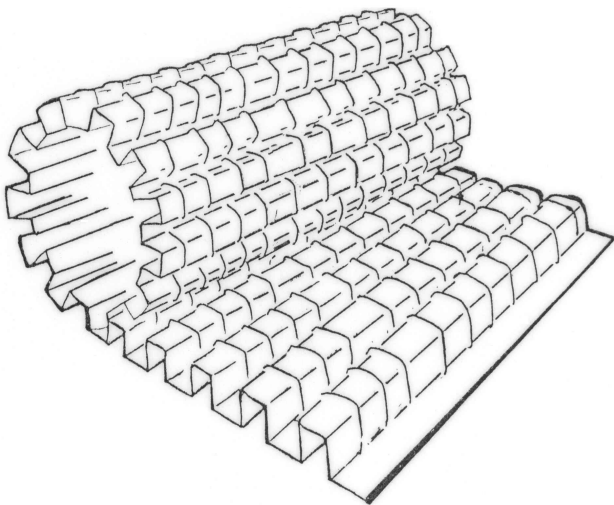
**Roll Panel Ventilator**

CODE **G502**

**Description**

The G502 Roll Panel Vent is designed to maintain an air gap between the underside of the roofing membrane or sarking board and loft insulation at the eaves, providing a continuous flow of air into the roof space.

The castellated profile is suitable for either 400mm, 450mm, or 600mm rafter centres, ideal for both new build and refurbishment where rafter centres are not consistent or unknown. The extra width of the panel allows for better coverage when low pitch and deep insulation details are encountered.



**Product Specifications**

<b>Colour</b>	Black
<b>Material</b>	PET (Polyethylene terephthalate)
<b>Part Weight</b>	2.1 kg
<b>Packing Details</b>	12 metres 2 x 6 metre rolls per box
<b>Free Airflow</b>	25,000mm <sup>2</sup> equivalent to a continuous gap of 25mm

**References**

Author	Publication
<b>BSI</b>	<b>BS 5250:</b> Control of condensation in buildings. <b>BS 9250:</b> Design of the airtightness of ceilings in pitched roofs.
<b>Building Regulations</b>	<b>Approved Document L1 &amp; L2:</b> Conservation of fuel and power.
<b>NHBC Standards</b>	<b>Technical Guidance 7.2:</b> Pitched Roofs.
<b>BRE</b>	<b>Digest Report 262:</b> Thermal Insulation: Avoiding Risks. <b>Digest Report 270:</b> Condensation in Insulated Domestic Roofs.

MANTHORPE BUILDING PRODUCTS LTD  
MANTHORPE HOUSE  
BRITAIN DRIVE  
CODNOR GATE BUSINESS PARK  
RIPLEY  
DERBYSHIRE DE5 3ND

TEL: 01773 303 000  
FAX: 01773 303 300  
EMAIL:  
mbp.care@manthorpebp.co.uk  
WEB  
www.manthorpebp.co.uk

DRN B.H.

Date 31.07.19

DRG No

Issue

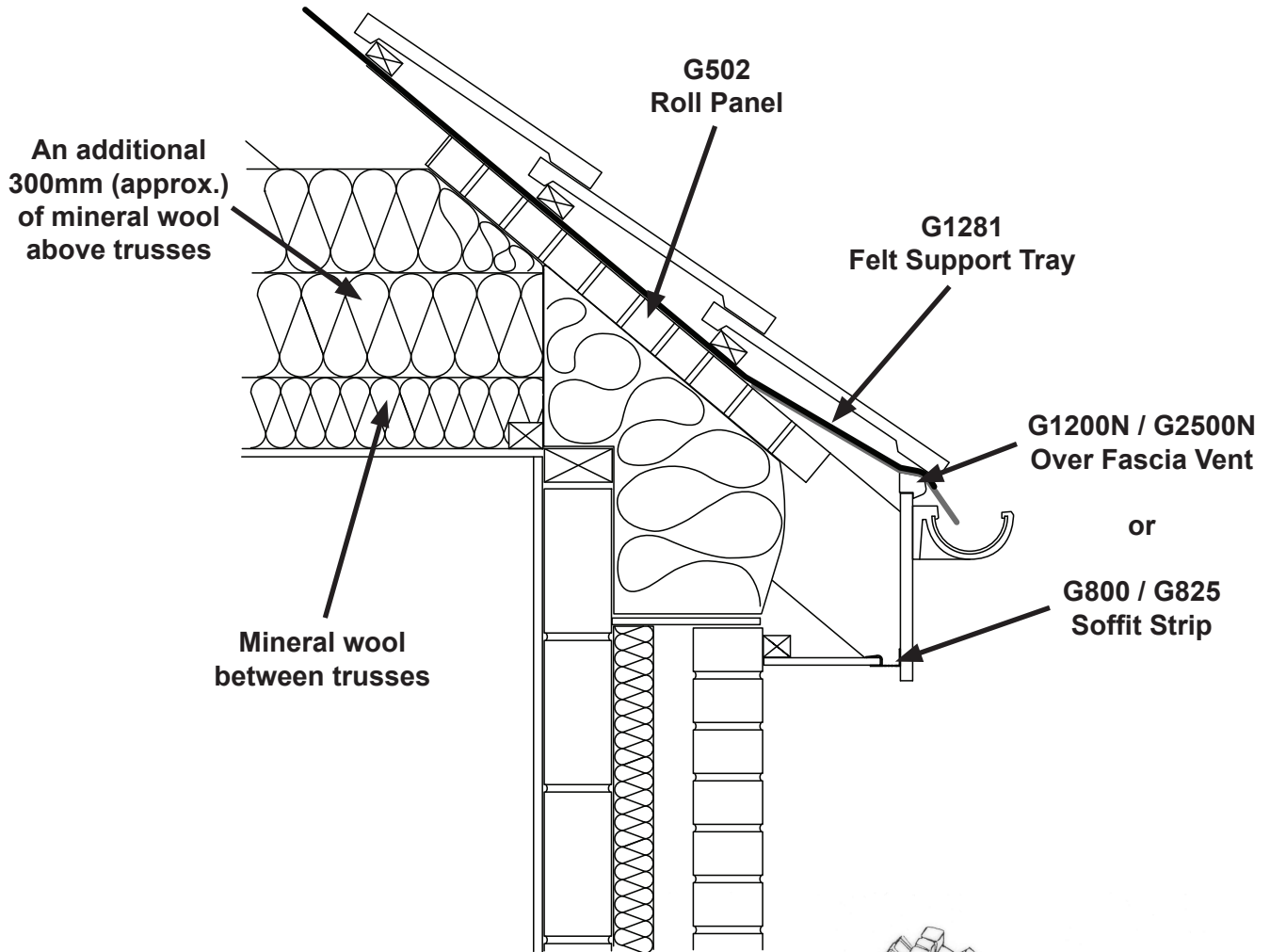
The company maintains a policy of continuous development of its product range and reserves the right to amend the specification without notice.

**MBP 8013**

**C**  
1 of 2

**Roll Panel Ventilator**

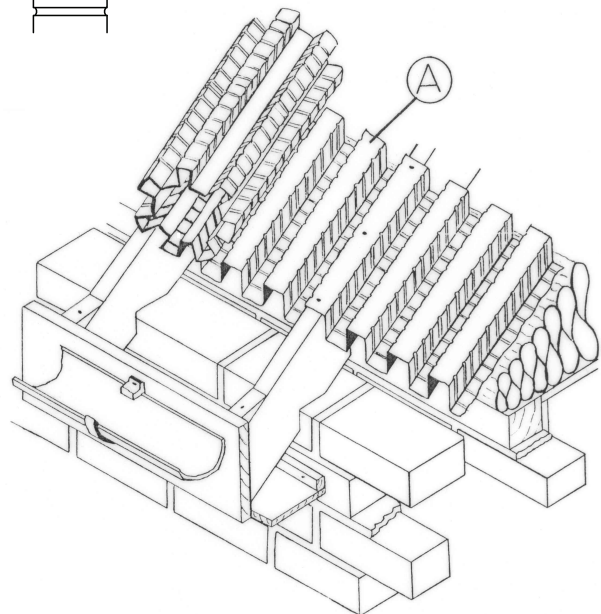
CODE **G502**



**Fitting**

The G502 Roll Panel Ventilator (A) should be rolled out over the full length of the eaves and adjusted to align with the required roof truss centres then nailed or stapled to secure in position as shown.

This product should be used in conjunction with other products from the Manthorpe range to provide a complete roof ventilation system.



MANTHORPE BUILDING PRODUCTS LTD  
 MANTHORPE HOUSE  
 BRITTAIN DRIVE  
 CODNOR GATE BUSINESS PARK  
 RIPLEY  
 DERBYSHIRE DE5 3ND

TEL: 01773 303 000  
 FAX: 01773 303 300  
 EMAIL:  
 mbp.care@manthorpebp.co.uk  
 WEB  
 www.manthorpebp.co.uk

DRN B.H.

Date 31.07.19

DRG No

Issue

The company maintains a policy of continuous development of its product range and reserves the right to amend the specification without notice.

**MBP 8013**

**C**

2 of 2