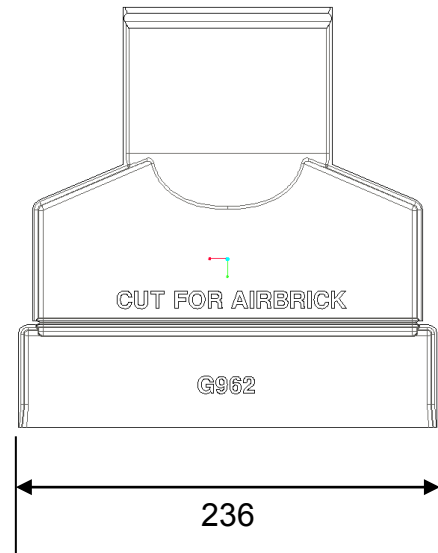
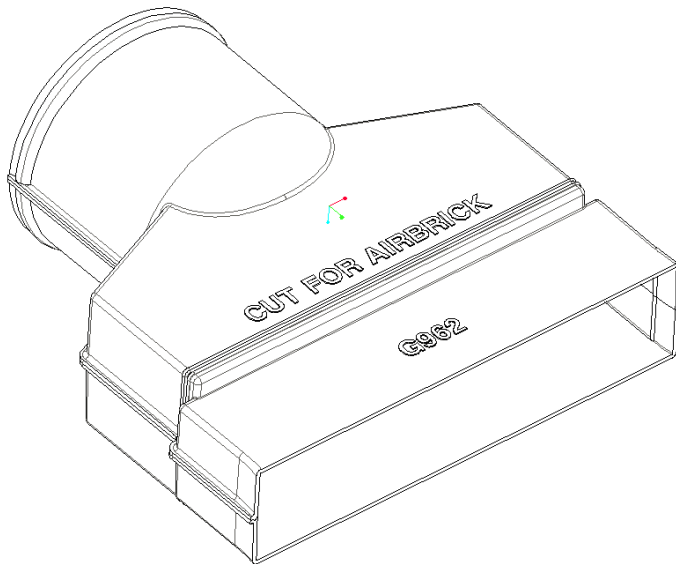
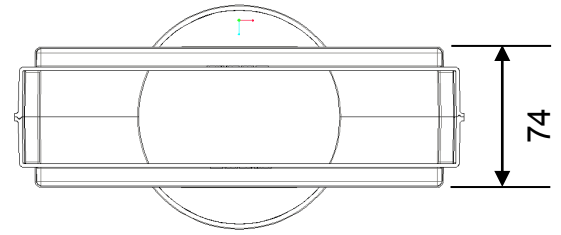
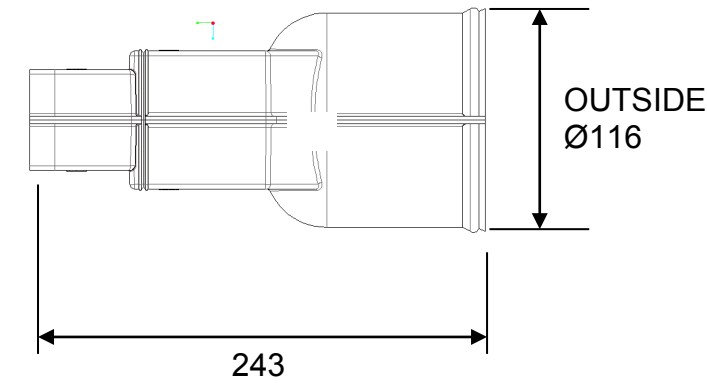


Remote Void Ventilator

CODE **G962**



Description:

The G962 Remote Void Ventilator is designed to connect the G930 Air Brick or G960 Under Floor Vent to a 4" Round Pipe or alternatively Manthorpe's GRPA/1 Flexible Pipe.

The adapter fits directly onto the bottom of the G960 Under floor Vent and can be easily cut down between the pre moulded cut lines to fit the G930 Airbrick.

PACKING DETAILS	Packed in 10's per cardboard box
MATERIAL	HIPS
WEIGHT PER BOX	
MANUFACTURING PROCESS	Injection Moulded
COLOUR	Black
FREE AIRFLOW	8,800mm ²

MANTHORPE BUILDING PRODUCTS LTD
 MANTHORPE HOUSE
 BRITAIN DRIVE
 CODNOR GATE BUSINESS PARK
 RIPLEY
 DERBYSHIRE DE5 3ND

TEL: 01773 303 000
 FAX: 01773 303 300
 EMAIL: mbp.care@manthorpebp.co.uk
 WEB: www.manthorpebp.co.uk

DRN M.A

Date: 26.06.19

The company maintains a policy of continuous development of its product range and reserves the right to amend the specification without notice.

DRG No

MBP 8194
 SHEET 1 OF 2

Issue

C