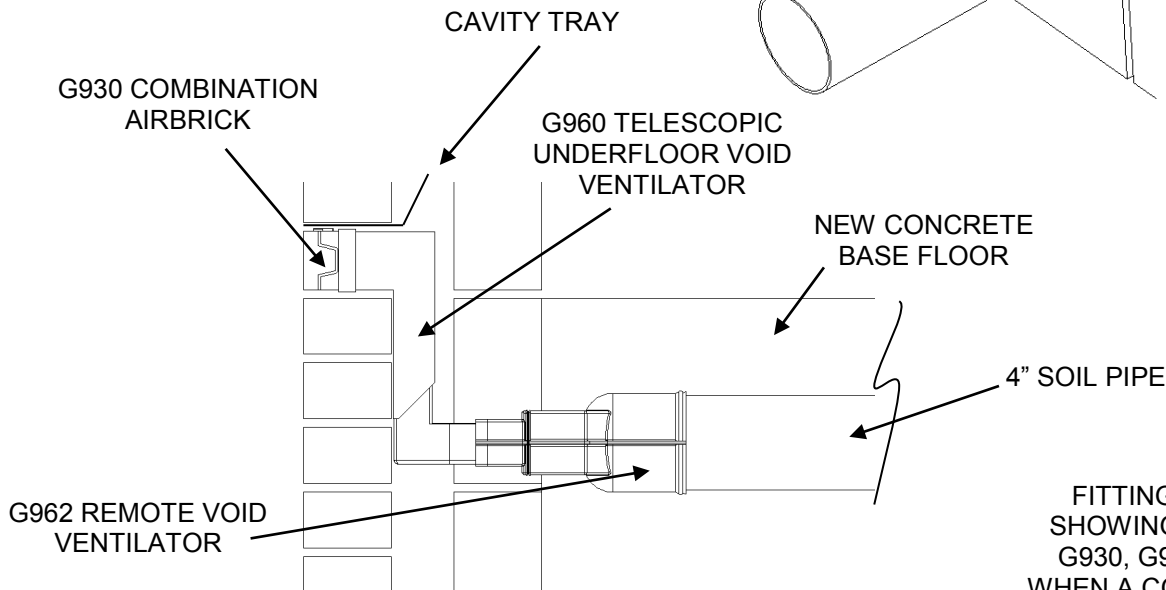
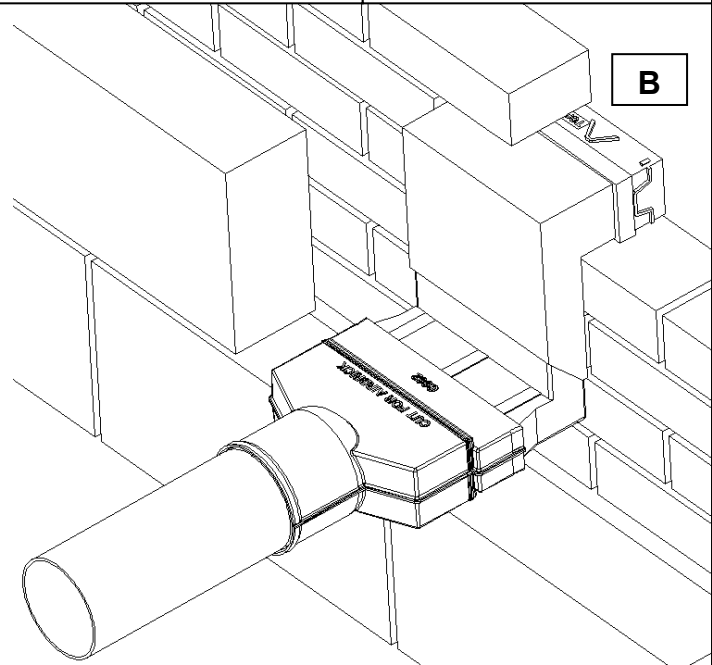
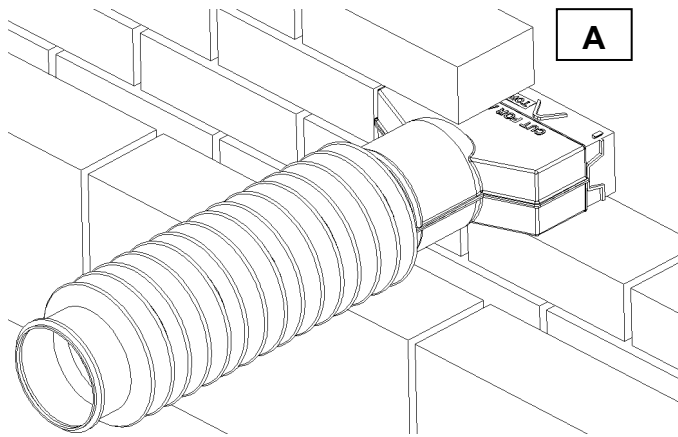


Remote Void Ventilator

CODE **G962**



FITTING SITUATION SHOWING THE USE OF G930, G960 AND G962 WHEN A CONCRETE BASE HAS BEEN LAID AND THE VOID BELOW A BEAM AND BLOCK FLOOR STILL REQUIRES TO BE VENTILATED.

Description:

Fitment of the G962 Remote Void Ventilator to the G930 Combination Airbrick (A) is achieved by simply cutting the front section off between the pre-moulded cut lines and pushing on to the back of the brick. The G962 should be pushed onto the back of the G960 Under floor Ventilator in fitment detail (B) allowing a 4" soil pipe / drainage pipe to be fitted to the adapter or alternatively Manthorpe's GRPA\1 flexible pipe to direct the airflow to the required area.

Bricklaying should continue as normal although care should be taken to keep the airflow passage clear of mortar droppings. If the G962 Remote Void Ventilator is to be built in above D.P.C a suitable cavity tray such as Manthorpe's GW290 should be fitted over the ventilator. This product should be used in conjunction with other products from the Manthorpe range to provide a complete through wall and under floor ventilation system.

References:

BRE: Digest 17/262
BRE: Floors, Flooring
DOE: Building regs C4
NHBC: Standards 7.2

MANTHORPE BUILDING PRODUCTS LTD
MANTHORPE HOUSE
BRITAIN DRIVE
CODNOR GATE BUSINESS PARK
RIPLEY
DERBYSHIRE DE5 3ND

TEL: 01773 303 000
FAX: 01773 303 300
EMAIL: mbp.care@manthorpebp.co.uk
WEB: www.manthorpebp.co.uk

DRN M.A

Date: 26.06.19

The company maintains a policy of continuous development of its product range and reserves the right to amend the specification without notice.

DRG No

MBP 8195
SHEET 2 OF 2

Issue

B