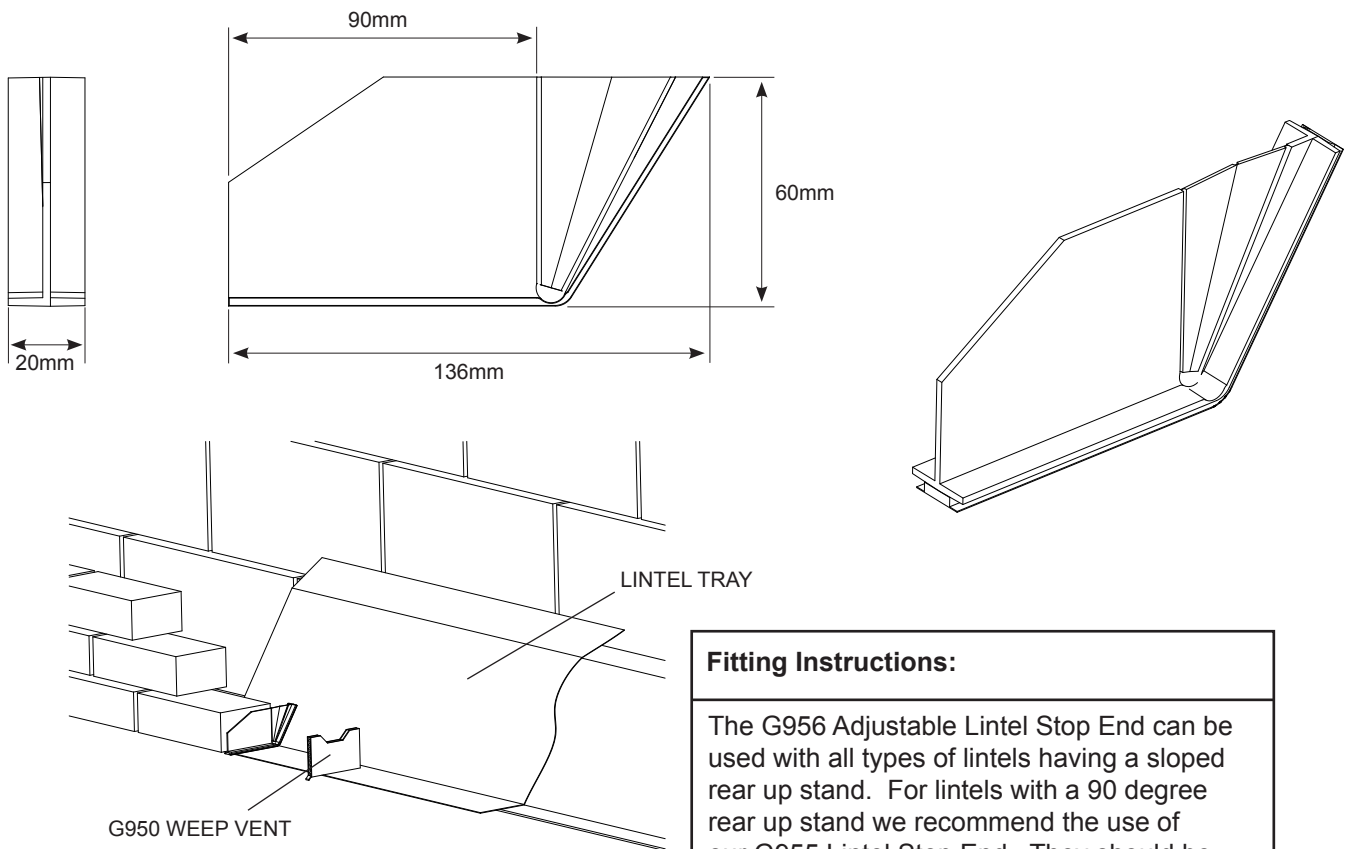


Adjustable Lintel Stop End

CODE G956



Description:

The G956 Adjustable Lintel Stop Ends are designed to prevent water spilling off the ends of lintels into the cavity below causing damage and expensive repairs. In line with current recommendations the G956 Adjustable Lintel Stop Ends provide an economical and simple solution to this problem. Supplied in pairs for convenience on site the attached adhesive tape also ensures that a tightly bonded joint is achieved between the stop end and lintel.

COLOURS	Black
PACKING DETAILS	50 per box
WEIGHT	1.2 kg
MATERIAL	Polypropylene
MANUFACTURING PROCESS	Injection Moulded

Fitting Instructions:

The G956 Adjustable Lintel Stop End can be used with all types of lintels having a sloped rear up stand. For lintels with a 90 degree rear up stand we recommend the use of our G955 Lintel Stop End. They should be located at the most convenient perp joint to the end of the lintel. Simply fold the stop end at its hinge points to loosen them up, ensure the lintel is clean and dry, peel off the adhesive backing strip and press firmly into position ensuring a water tight seal is made. The back of the stop end will fold back and forth to fit the angle of the lintel.

Water collected on the lintel should be allowed to escape through either a G950 Weep Vent or G951 Peep Weep spaced at no greater than 900mm centres, or to meet N.H.B.C guidelines "weep holes are recommended to be sited at every 450mm maximum with at least two per opening above all windows and doors".

References:

BRE: DIGEST 262/380
 BSI: BS5628
 NHBC: Standards 6.1

MANTHORPE BUILDING PRODUCTS LTD
 MANTHORPE HOUSE
 BRITAIN DRIVE
 CODNOR GATE BUSINESS PARK RIPLEY
 DERBYSHIRE DE5 3ND

TEL: 01773 303 000
 FAX: 01773 303 300
 EMAIL: mbp.care@manthorpebp.co.uk
 WEB: www.manthorpebp.co.uk

DRN M.R Date 26.06.19

DRG No

Issue

The company maintains a policy of continuous development of its product range and reserves the right to amend the specification without notice.

MBP 8244

B