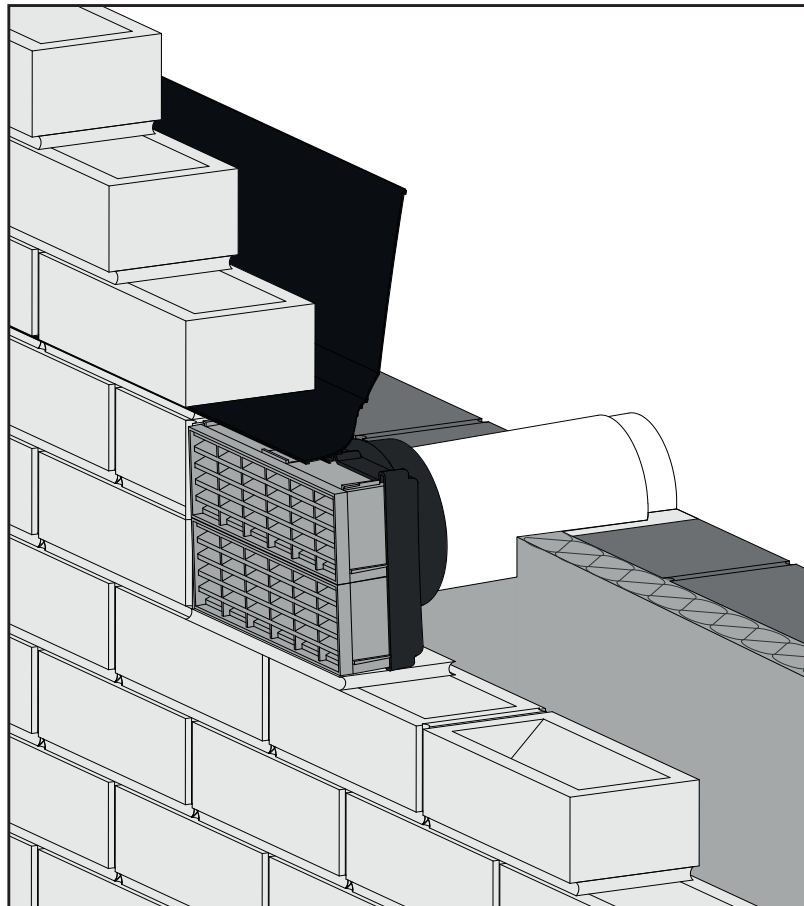


**Description**

The thru...air product is designed to provide a ventilation outlet/inlet using a 4/5/6inch Telescopic pipe to a Manthorpe single/double/triple airbrick. Each thru...air unit allows for an extraction system to be conveniently built into the brickwork, eliminating the need for retrospective core drilling. The telescopic element allows the installer to extend or reduce the length of the pipe to suit the thickness of the wall and ducting connection.



<b>Product Code</b>	G940	G941	G942	G943
<b>Geometric Free Airflow</b>	6,450mm <sup>2</sup>	7853mm <sup>2</sup>	11632mm <sup>2</sup>	16856mm <sup>2</sup>
<b>Box Weight /kg</b>	0.5	0.6	0.7	0.9
<b>Colour</b>	<b>Standard Colours:</b> Terracotta / Buff / Blue Black <b>Made to Order:</b> Brown / White / Grey			
<b>Packing Details</b>	1 per box			

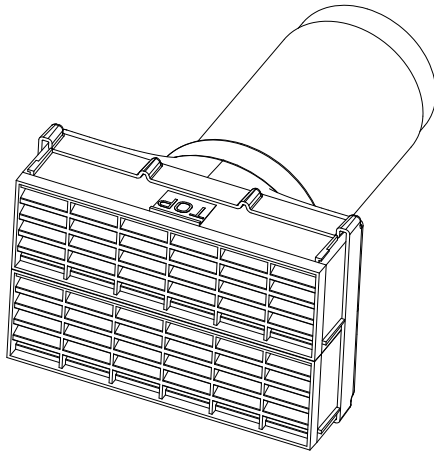
MANTHORPE BUILDING PRODUCTS LTD  
 MANTHORPE HOUSE  
 BRITAIN DRIVE  
 CODNOR GATE BUSINESS PARK  
 RIPLEY  
 DERBYSHIRE DE5 3ND

TEL: 01773 303 000  
 FAX: 01773 303 300  
 EMAIL:  
 mbp.care@manthorpebp.co.uk  
 WEB  
 www.manthorpebp.co.uk

DRN K.B. Date 18/12/19  
 The company maintains a policy of continuous development of its product range and reserves the right to amend the specification without notice.

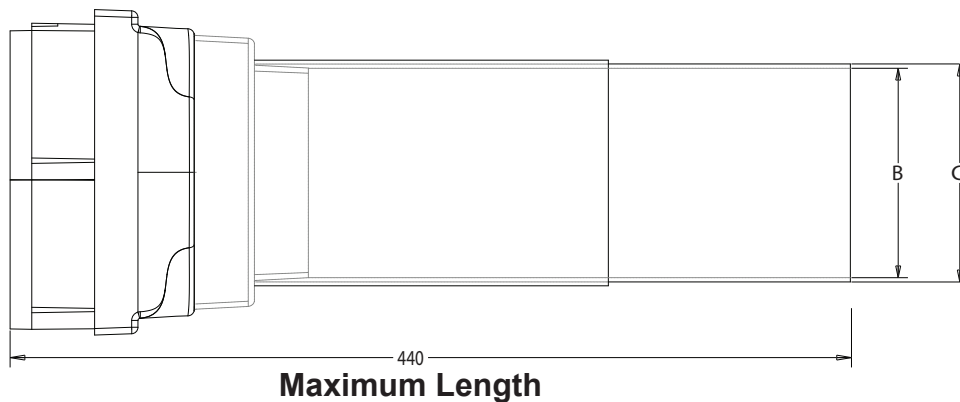
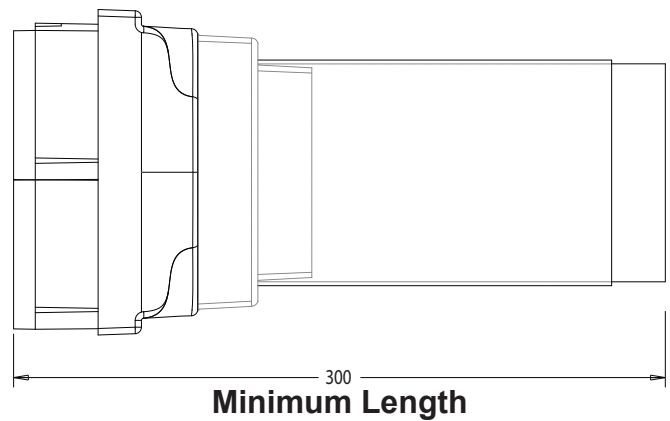
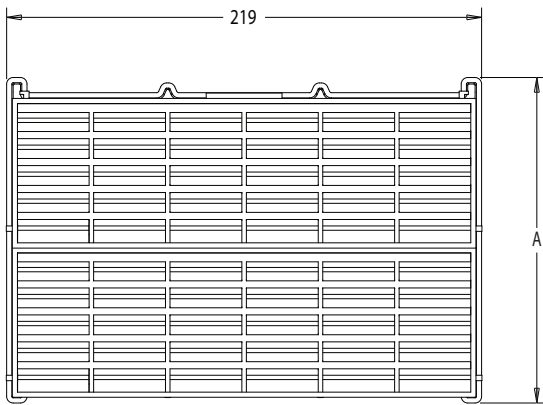
DRG No  
**MBP 8356**

Issue  
**C**  
 1 of 4



Dimensions (mm)	G940	G941	G942	G943
<b>A</b>	80	150	150	218
<b>BØ</b>	100	100	121.5	146.5
<b>CØ</b>	103.5	103.5	125	150

**(Dimensions in mm)**



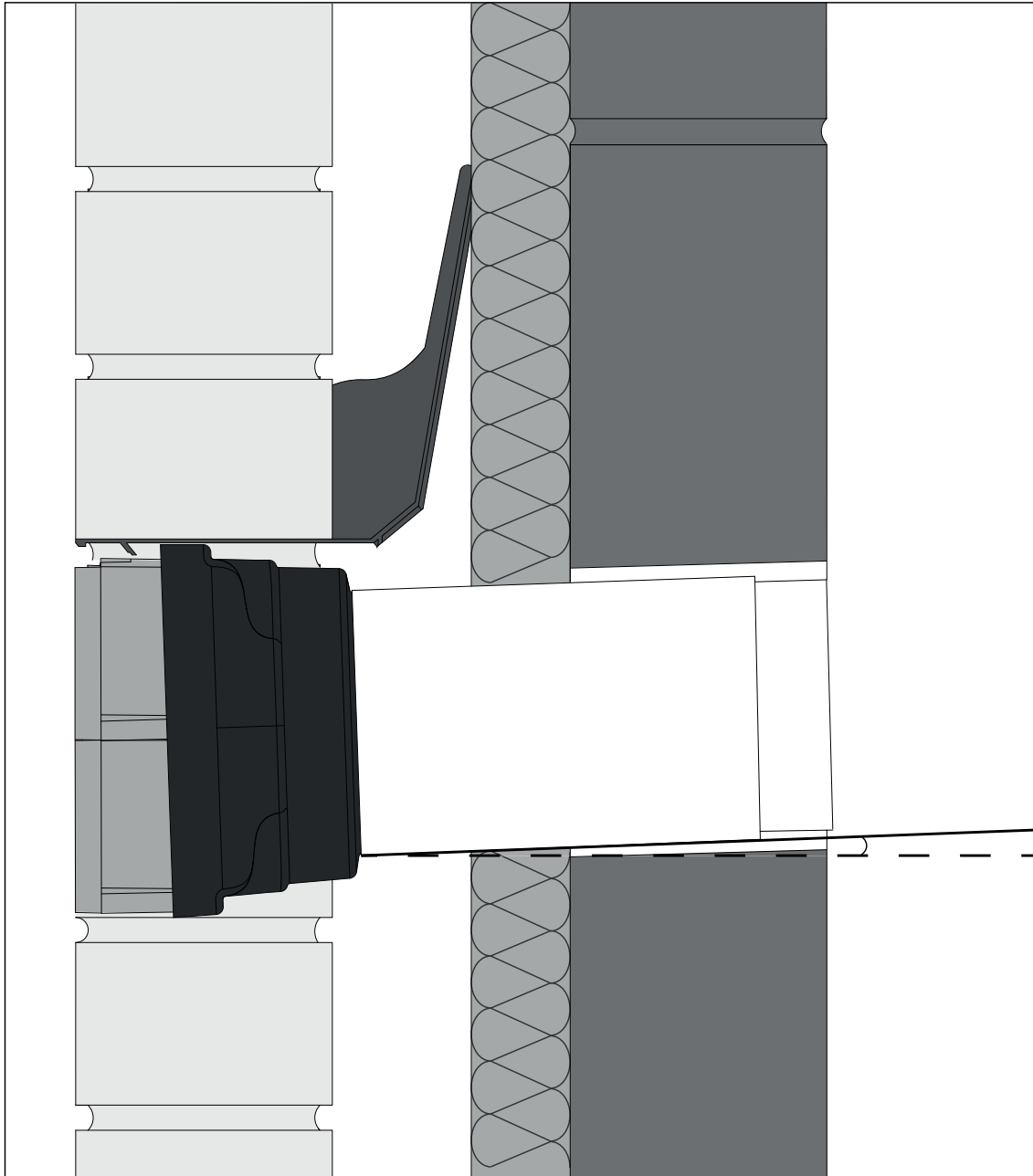
MANTHORPE BUILDING PRODUCTS LTD  
 MANTHORPE HOUSE  
 BRITAIN DRIVE  
 CODNOR GATE BUSINESS PARK  
 RIPLEY  
 DERBYSHIRE DE5 3ND

TEL: 01773 303 000  
 FAX: 01773 303 300  
 EMAIL:  
 mbp.care@manthorpebp.co.uk  
 WEB  
 www.manthorpebp.co.uk

DRN K.B. Date 18.12.19  
 The company maintains a policy of continuous development of its product range and reserves the right to amend the specification without notice.

DRG No  
**MBP 8356**

Issue  
**C**  
 2 of 4



**Fitting Instructions**

Build the thru...air product into the brickwork as the masonry proceeds. The placement of the product is determined by the position of the internal extraction system. The product must be installed angled slightly down towards the external brickwork to allow for any condensation build up to drain out via the Airbricks. If required the detail can be finished off with a suitable cavity tray (including weep vents) above the product to prevent water ingress.

MANTHORPE BUILDING PRODUCTS LTD  
 MANTHORPE HOUSE  
 BRITAIN DRIVE  
 CODNOR GATE BUSINESS PARK  
 RIPLEY  
 DERBYSHIRE DE5 3ND

TEL: 01773 303 000  
 FAX: 01773 303 300  
 EMAIL:  
 mbp.care@manthorpebp.co.uk  
 WEB  
 www.manthorpebp.co.uk

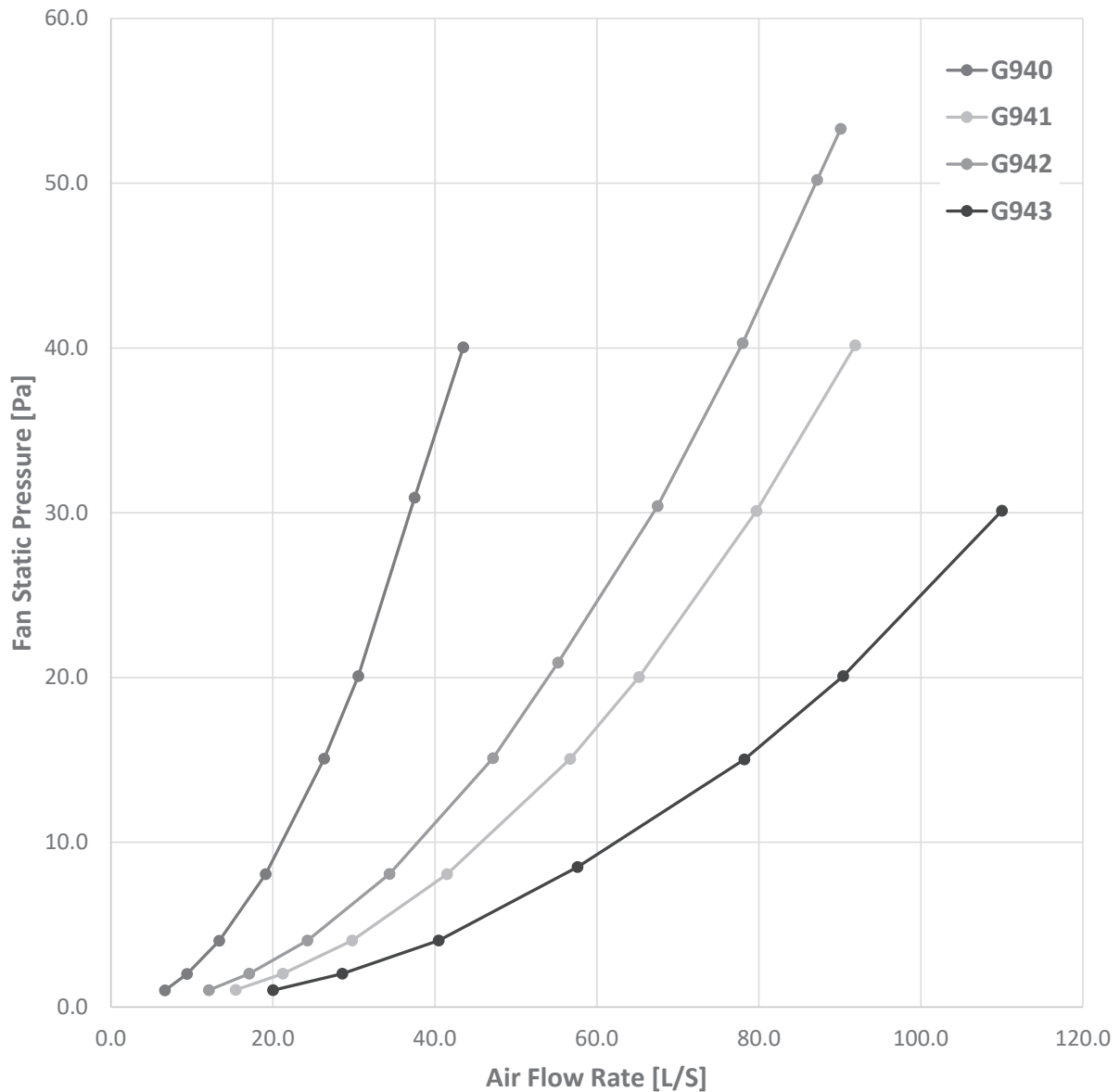
DRN K.B. Date 18.12.19

The company maintains a policy of continuous development of its product range and reserves the right to amend the specification without notice.

DRG No  
**MBP 8356**

Issue  
**C**  
 3 of 4

## Aerodynamic Characteristics Of thru...air® Range



<b>G940</b>	<b>Dp [Pa]</b>	1.01	2.01	4.02	8.07	15.07	20.08	30.91	40.04	-	-
	<b>Vol [l/s]</b>	6.66	9.40	13.37	19.10	26.32	30.54	37.49	43.50	-	-
<b>G941</b>	<b>Dp [Pa]</b>	1.04	2.02	4.04	8.07	15.06	20.02	30.10	40.16	-	-
	<b>Vol [l/s]</b>	15.40	21.24	29.78	41.51	56.70	65.20	79.70	91.90	-	-
<b>G942</b>	<b>Dp [Pa]</b>	1.03	2.02	4.03	8.08	15.10	20.90	30.40	40.30	50.20	53.30
	<b>Vol [l/s]</b>	12.10	17.07	24.25	34.41	47.17	55.20	67.50	78.00	87.20	90.10
<b>G943</b>	<b>Dp [Pa]</b>	1.02	2.02	4.04	8.50	15.03	20.08	30.12	-	-	-
	<b>Vol [l/s]</b>	20.02	28.57	40.46	57.60	78.20	90.40	110.00	-	-	-

MANTHORPE BUILDING PRODUCTS LTD  
 MANTHORPE HOUSE  
 BRITAIN DRIVE  
 CODNOR GATE BUSINESS PARK  
 RIPLEY  
 DERBYSHIRE DE5 3ND

TEL: 01773 303 000  
 FAX: 01773 303 300  
 EMAIL:  
 mbp.care@manthorpebp.co.uk  
 WEB  
 www.manthorpebp.co.uk

DRN K.B.

Date 03.04.20

DRG No

**MBP 8356**

Issue

**C**  
4 of 4

The company maintains a policy of continuous development of its product range and reserves the right to amend the specification without notice.